

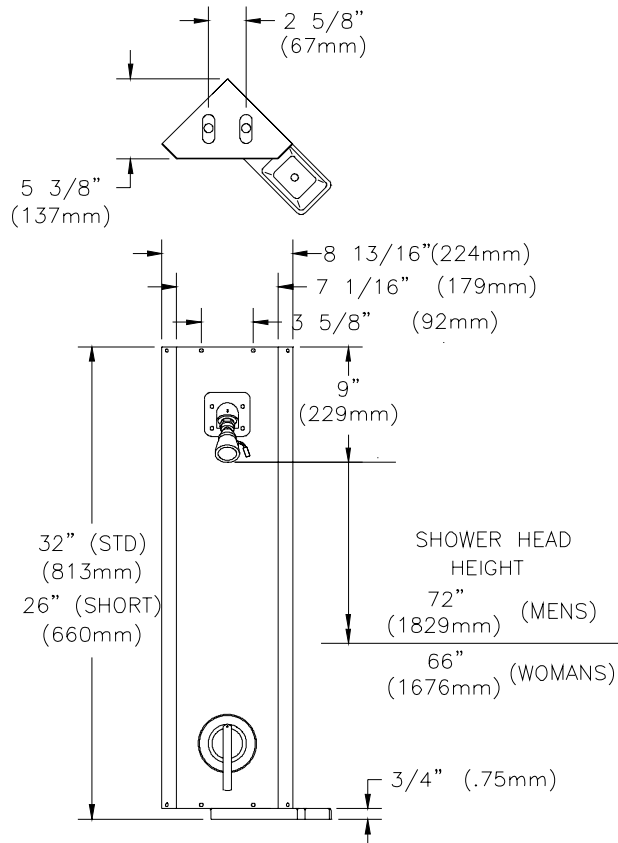
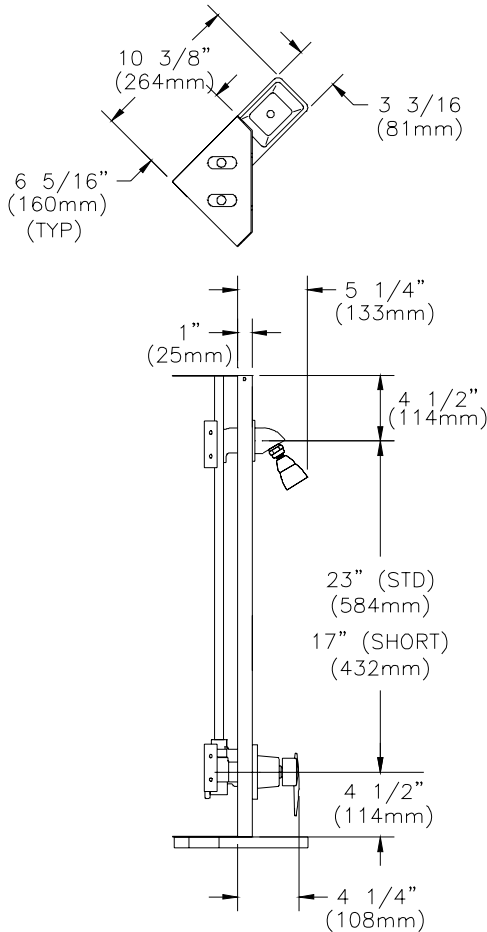


AQUA-PANEL CORNER SHOWER UNIT

Z7500-CR

TAG

ENGINEERING SPECIFICATION: ZURN Z7500-CR - Prefabricated stainless steel corner shower unit, consisting of the TEMP-GARD pressure balancing shower valve with single bronze stem, stainless steel balancing piston & bottom access integral service stops. Standard with 1/2" copper tubing assembly enclosed by 18 gage stainless steel #4 brushed finish shroud, chrome plated brass shower head with flow control on institutional bracket, metal stem handle, side mount soap dish & all vandal proof securing screws.



OPTIONS (Check/specify appropriate options)

- i2 Fixed Spray Institutional Shower Head
- LS Less Soap Dish
- SL Short Length Shroud 26" (660mm)
- TC Matching Shroud Extension to Cover Thru Ceiling Piping (Specify extension height)
- TH Matching Shroud Cover for Concealed Horizontal Piping (Application drawings available for custom installations)
- 14 14 Gage Stainless Steel Shroud
- 16 16 Gage Stainless Steel Shroud

STANDARDS

Tested to meet the following standard for valves and plumbing fittings:
Shower Heads meet ANSI A112.18.1

ZURN INDUSTRIES, INC. ♦ COMMERCIAL BRASS OPERATION ♦ 2640 SOUTH WORK STREET ♦ FALCONER NY 14733

Phone: 1-716-665-1132 ♦ Fax: 1-716-665-1135 ♦ World Wide Web: www.zurn.com

In Canada: ZURN INDUSTRIES LIMITED ♦ 3544 Nashua Drive ♦ Mississauga, Ontario L4V1L2 ♦ Phone: 905/405-8272 Fax: 905/405-1292