



Model: Z5575

1.6 gpf Pressure Assist, Round Front, Two-Piece Toilet

TAG _____

Architectural/Engineering Specification:

Zurn Z5575 Vitreous China floor mounted, Two Piece toilet, High Efficiency 1.6 gpf / 6.0 Lpf, Pressure Assisted tank, Round Front rim and 12" Rough-in.

Zurn Z5575 utilizes EcoFlush™ technology maximize water savings and provide an ultra-quiet flush in demanding, high-traffic commercial areas that require a high performance toilet system.

Product Features:

- 1.6 gpf (gallons per flush)
- Vitreous china
- Pressure assisted tank
- High performance EcoFlush™ technology
- Easy touch handle actuation
- Ultra quiet flush
- Siphon jet flush action
- 2-1/8" fully glazed trapway
- Operating pressure range 20-80 psi
- Round front rim
- Chrome plated handle
- Large water surface area
- Includes bolt caps
- Shipping weight: 95 lbs.

Note: HET 1.1 gpf and HET dual Flush 1.6/1.1 gpf pressure assist tanks also available. See models Z5576 and Z5577

Compliance and Certification:

- ASME A112.19.2 / CSA B45.1



Suffix Option:

- RH Vitreous China right-hand lever tank
- VL Vitreous China lid with vandal-proof lock down.

Recommended Trim:

- Z5972-COMB
Closet bolt & wax ring kit.
- Z5958SS-EL
Elongated, white, closed front toilet seat with cover & stainless steel check hinge.
- Z8800-CR
Standard stop with flexible closet riser.

Optional Trim

- Z5975-FLO-JR
PVC Flo-Bowl Jr. closet flange kit

See Zurn One Systems for suggested packages.

Architectural/Engineering Approval

Fixture dimensions meet ASME A112.19.2 / CSA B45.1 requirements.

In Canada - Consult local codes and standards.

The information contained in this document is subject to change without notice. Please contact Zurn for most up to date information.



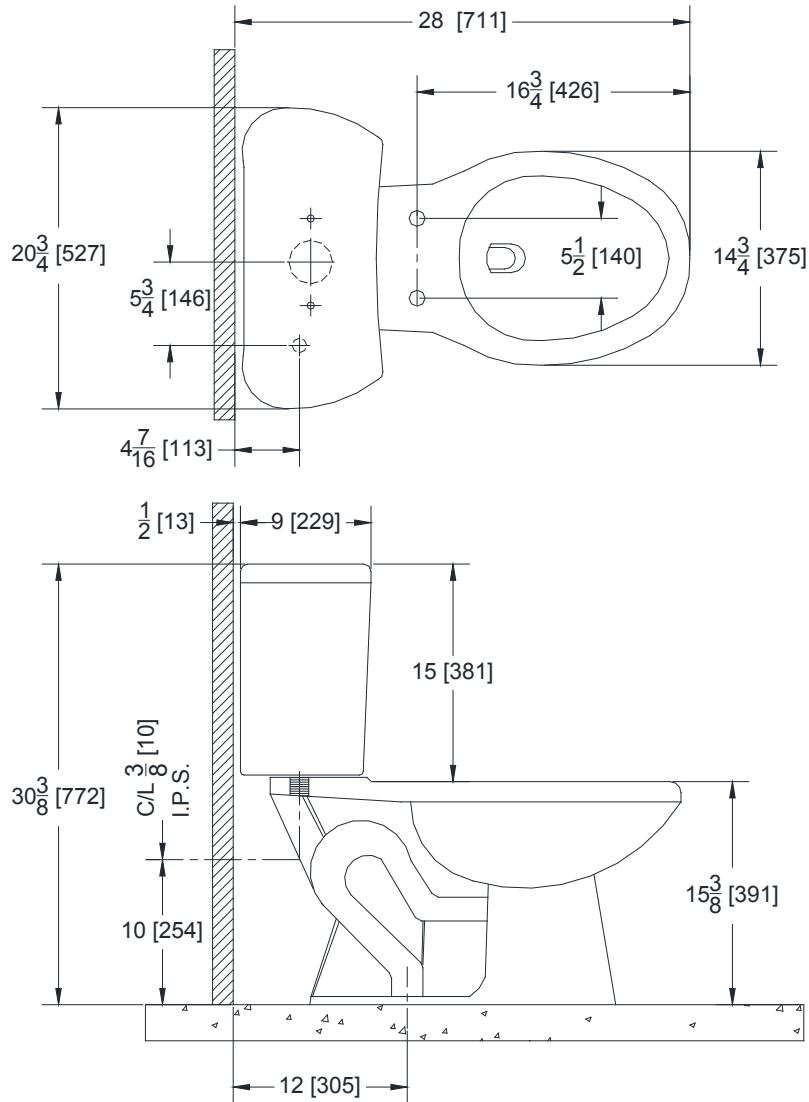


Model: Z5575

1.6 gpf Pressure Assist, Round
Front, Two-Piece Toilet

TAG _____

Rough-in dimensions for Z5575



Fixture dimensions meet ASME A112.19.2 / CSA B45.1 requirements.

In Canada - Consult local codes and standards.