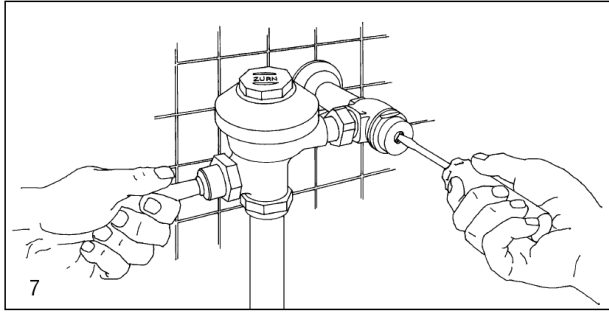
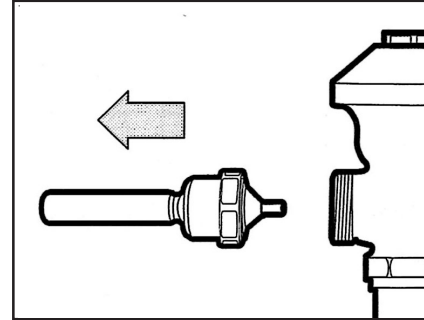




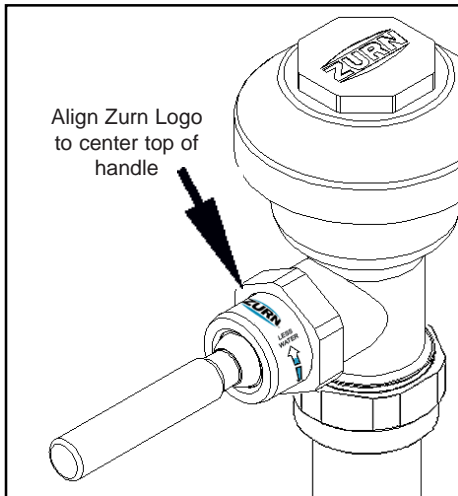
P6000-M-ADA-DF Dual Flush Handle Installation Instructions



1. Turn off water at the stop valve.
2. Release any pressure from the valve by pressing existing handle.



3. Remove existing handle from the flush valve.

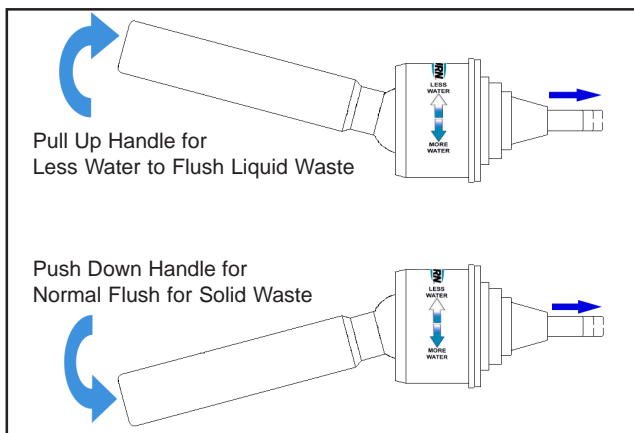


4. Install Zurn Dual Flush Handle with Zurn logo aligned toward the top of flush valve.
5. Tighten handle nut making sure that the Zurn Logo is in the centered, up position.

WALL
STICKER



6. Apply wall sticker in a clearly visible area, either on the wall area above the Dual Flush Handle, over toilet paper dispenser or on stall door.



 Conserve Water With Zurn Products



ZURN PLUMBING PRODUCTS GROUP
COMMERCIAL BRASS PRODUCTS
5900 ELWIN BUCHANAN DRIVE
SANFORD, NC 27330
PHONE: 1-800-997-3876
FAX: 919-775-3541
www.zurn.com

In Canada: **ZURN INDUSTRIES LIMITED**
3544 NASHUA DRIVE
MISSISSAUGA, ONTARIO L4V1L2
PHONE: 905-405-8272
FAX: 905-405-1292