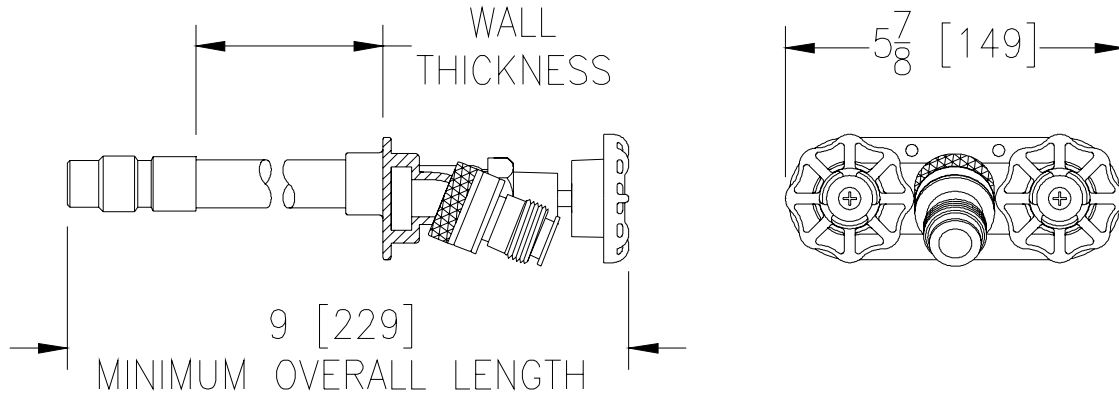


Dimensional Data (inches and [ mm ]) are Subject to Manufacturing Tolerances and Change Without Notice



| Wall Thickness In Inches | Approx. Wt. Lbs. [kg] |
|--------------------------|-----------------------|
| 4-6 [102-152]            | 4 [2]                 |
| 8-10 [203-254]           | 5 [2]                 |
| 12-14-16 [305-356-406]   | 6 [3]                 |
| 18-20-22 [457-508-559]   | 8 [4]                 |
| 24 [610]                 | 10 [5]                |

**ENGINEERING SPECIFICATION: Z1348-BFP**

Exposed non-freeze anti-siphon dual hot/cold wall faucet complete with automatic draining hose connection backflow preventer, exterior chrome finish, brass casing, all bronze interior parts, operating rod with spring-loaded compression closure valve, replaceable seat washer, combination 1/2 [13] female solder inlet and 1/2 [13] male IP inlet connections standard, and 3/4 [19] male hose connection.

**OPTIONS** (Check/specify appropriate options)

**SUFFIXES**

- \_\_\_\_ -CP3 3/4 [19] Male Pipe Thread x 3/4 [19] Female Solder
- \_\_\_\_ -PX 1/2 [13] PEX Tube Fitting
- \_\_\_\_ -RK Hydrant Parts Repair Kit



(Hose Connection Backflow Preventer)