

# Finish Plumbing

FP0119 Customer Guide – CANADA



ZURN.COM US 1.855.ONE.ZURN CANADA 1.877.892.5216



Effective January 1, 2019  
Replaces All Previous Price Lists

# INTRODUCTION

<b>INTRODUCTION</b>	<b>1</b>	AQUASENSE® E-Z FLUSH® RETROFIT KITS	19	AQUAFLUSH® PRISON FLUSH VALVES	32
<b>FLUSH VALVES</b>	<b>7</b>	AQUAVANTAGE® AV ZR RETROFLUSH® SENSOR BATTERY FLUSH VALVE	20	AQUAFLUSH® ZH HYDRAULIC ACTUATION PRISON FLUSH VALVES	32
<b>FLUSH VALVE INTRODUCTION</b>	<b>8</b>	AQUAVANTAGE® AV ZR RETROFLUSH® FLUSH VALVE BODY LESS STOP AND FLUSH CONNECTION	20	<b>AQUAVANTAGE® AV FOOT PEDAL ACTUATION FLUSH VALVES</b>	<b>32</b>
<b>EXPOSED MANUAL FLUSH VALVES</b>	<b>9</b>	ZR RETROFLUSH® - RETROFIT KIT ONLY	20	<b>FLUSH VALVES FOR EASTERN STYLE WATER CLOSETS</b>	<b>33</b>
AQUAVANTAGE® AV EXPOSED MANUAL DIAPHRAGM FLUSH VALVES	9	OPTIONS FOR SENSOR FLUSH VALVE	20	<b>ACCESS PANELS</b>	<b>33</b>
AQUAVANTAGE® AV EXPOSED MANUAL DIAPHRAGM FLUSH VALVES	10	<b>EXPOSED SENSOR HARDWIRED FLUSH VALVES</b>	<b>21</b>	<b>RETROFIT X-BODIES - EXPOSED AND CONCEALED</b>	<b>34</b>
AQUAFLUSH® PLUS PL EXPOSED MANUAL DIAPHRAGM FLUSH VALVES	11	ECOVANTAGE® ZTR EXPOSED HARDWIRED SENSOR PISTON FLUSH VALVES	21	<b>ACCESSORIES/VARIATIONS</b>	<b>35</b>
AQUAFLUSH® EXPOSED MANUAL DIAPHRAGM FLUSH VALVES	12	AQUAVANTAGE® AV ZEMS EXPOSED HARDWIRED SENSOR DIAPHRAGM FLUSH VALVES	21	<b>SPECIALTY ITEMS</b>	<b>36</b>
METROFLUSH® EXPOSED PISTON FLUSH VALVES	12	AQUAFLUSH® PLUS PL ZEMS EXPOSED HARDWIRED SENSOR DIAPHRAGM FLUSH VALVES	22	<b>ZURN® AQUAVANTAGE® AV/SLOAN® FLUSH VALVE CROSS REFERENCE</b>	<b>37</b>
<b>EXPOSED MANUAL DIAPHRAGM FLUSH VALVES WITH BEDPAN DIVERTER</b>	<b>13</b>	AQUAFLUSH® ZEMS EXPOSED HARDWIRED SENSOR DIAPHRAGM FLUSH VALVES	22	<b>FAUCETS</b>	<b>41</b>
AQUAVANTAGE® AV EXPOSED MANUAL DIAPHRAGM FLUSH VALVES WITH BEDPAN DIVERTER VALVE	13	METROFLUSH® ZEMS EXPOSED HARDWIRED SENSOR PISTON FLUSH VALVES	23	<b>AQUA-FIT® SENSOR FAUCET SYSTEMS</b>	<b>42</b>
AQUAFLUSH® PLUS PL EXPOSED MANUAL DIAPHRAGM FLUSH VALVES WITH BEDPAN DIVERTER VALVE	14	HARDWIRED SENSOR FLUSH VALVES OPTIONS	23	Z6950 AQUA-FIT SERIO SERIES® - SINGLE POST	42
AQUAFLUSH® EXPOSED MANUAL DIAPHRAGM FLUSH VALVES WITH BEDPAN DIVERTER VALVE	14	<b>CONCEALED FLUSH VALVES</b>	<b>24</b>	Z6950-XL-IM AQUA-FIT SERIO SERIES - SINGLE POST WITH INTEGRAL MIXING VALVE	42
<b>EXPOSED CLINIC AND SERVICE SINK FLUSH VALVES</b>	<b>15</b>	AQUAVANTAGE® AV ZEMS CONCEALED HARDWIRED IN WALL SENSOR DIAPHRAGM FLUSH VALVES	24	Z6951 AQUA-FIT FULMER SERIES® - SINGLE POST	42
EXPOSED MANUAL DIAPHRAGM FLUSH VALVES FOR CLINIC AND SERVICE SINKS	15	AQUAVANTAGE® AV ZER CONCEALED BATTERY IN WALL SENSOR DIAPHRAGM FLUSH VALVES	25	Z6953 CAMAYA SERIES®	43
<b>EXPOSED SENSOR FLUSH VALVES</b>	<b>16</b>	AQUAVANTAGE® AV CONCEALED DIAPHRAGM FLUSH VALVES	26	Z6955 AQUA-FIT SERIO SERIES - 4" INCH CENTER	43
ECOVANTAGE® ZTR EXPOSED SENSOR BATTERY PISTON FLUSH VALVES	16	AQUAFLUSH® CONCEALED DIAPHRAGM FLUSH VALVES	27	Z6956 CUMBERLAND SERIES®	43
AQUASENSE® E-Z FLUSH® AQUAVANTAGE® AV EXPOSED SENSOR BATTERY DIAPHRAGM FLUSH VALVES	16	<b>HYDRAULIC FLUSH VALVES</b>	<b>28</b>	Z6957 NACHI SERIES® - WALL MOUNTED	43
AQUASENSE® E-Z FLUSH® AQUAVANTAGE® AV EXPOSED SENSOR BATTERY DIAPHRAGM FLUSH VALVES	17	AQUAVANTAGE® AV EXPOSED ZH HYDRAULIC ACTUATION DIAPHRAGM FLUSH VALVES	28	FAUCET ACCESSORIES AQUA-FIT® Z6950 SERIO SERIES®	44
AQUASENSE® E-Z FLUSH® AQUAFLUSH® PLUS PL EXPOSED SENSOR BATTERY DIAPHRAGM FLUSH VALVES	18	AQUAVANTAGE® AV CONCEALED ZH HYDRAULIC ACTUATION DIAPHRAGM FLUSH VALVES	29	AERATOR OPTIONS FOR AQUA-FIT SERIES	45
AQUASENSE® E-Z FLUSH® AQUAFLUSH® EXPOSED SENSOR BATTERY DIAPHRAGM FLUSH VALVES	18	AQUAFLUSH® PLUS PL EXPOSED ZH HYDRAULIC ACTUATION DIAPHRAGM FLUSH VALVES	29	ADDITIONAL POWER OPTIONS FOR AQUA-FIT SERIES	45
METROFLUSH® AQUASENSE® E-Z FLUSH® ZER EXPOSED SENSOR BATTERY PISTON FLUSH VALVES	19	AQUAFLUSH® EXPOSED ZH HYDRAULIC ACTUATION DIAPHRAGM FLUSH VALVES	30	<b>SENSOR SOAP DISPENSERS</b>	<b>45</b>
		AQUAFLUSH® CONCEALED ZH HYDRAULIC ACTUATION DIAPHRAGM FLUSH VALVES	30	SOAP DISPENSERS	45
		OPTIONS FOR HYDRAULIC ACTUATION	30	<b>AQUASENSE® E-Z SENSOR-OPERATED FAUCETS</b>	<b>46</b>
		<b>PRISON FLUSH VALVES</b>	<b>31</b>	FAUCET ORDERING INSTRUCTIONS	46
		AQUAVANTAGE® AV PRISON FLUSH VALVES	31	AQUASENSE® Z6913 SERIES - SINGLE HOLE SENSOR FAUCET	46
		AQUAVANTAGE® AV ZH HYDRAULIC ACTUATION PRISON FLUSH VALVES	31	AQUASENSE® Z6915 SERIES - 4" CENTERSET SENSOR FAUCET	46

AQUASENSE® Z6918 SERIES - SINGLE HOLE SENSOR FAUCET	46	WIDESPREAD BENT RISER SPOUT FAUCETS	66	SPOUT PARTS	88
AQUASENSE® Z6920 SERIES - SINGLE HOLE GOOSENECK SENSOR FAUCET	47	WIDESPREAD VACUUM BREAKER FAUCETS	67	LEAD-FREE (XL) SPOUTS	88
AQUASENSE® Z6922 SERIES - SINGLE HOLE WALL MOUNT GOOSENECK SENSOR FAUCET	47	WIDESPREAD METERING FAUCETS	67		
AQUASENSE® Z6930 SERIES - SINGLE HOLE SENSOR FAUCET	47	DECK-MOUNTED FAUCETS	68	<b>TEMP-GARD®</b>	<b>91</b>
<b>AQUASENSE® FAUCET ACCESSORIES</b>	<b>48</b>	BACK-MOUNTED FAUCETS	68	<b>TEMP-GARD® FAUCETS</b>	<b>92</b>
POWER CONVERTERS FOR SENSOR FAUCETS	48	WALL-MOUNTED FAUCETS	68	SIERRA® LEAD-FREE FAUCETS	92
AERATORS FOR Z6913-XL AND Z6915-XL	48	KITCHEN SINK FAUCETS	70	SIERRA® CERAMIC DISC KITCHEN FAUCETS	92
SLIM AERATORS FOR Z6913-XL AND Z6915-XL	48	SERVICE SINK FAUCETS	71	SIERRA® 4" CENTERSET FAUCET	92
AERATORS FOR Z6920-XL AND Z6922-XL	48	CLINICAL SERVICE SINK FAUCETS	73	AERATOR OPTIONS (NOT AVAILABLE IN SATIN)	92
AERATORS FOR Z6930-XL, Z6950-XL, Z6950-XL-IM AND Z6951-XL	48	SINGLE BASIN FAUCETS	74	STRAINER OPTIONS	92
MIXING TEE AND MIXING VALVES	49	SINGLE CONTROL FAUCETS	74	MISCELLANEOUS OPTIONS	92
GOOSENECKS	49	SINGLE LAB FAUCETS	75		
COVER PLATES AND ADAPTERS	49	DOUBLE LAB FAUCETS	76	<b>TEMP-GARD® SERIES I - SHOWER VALVES</b>	<b>93</b>
POWER SUPPLIES	49	MISC. LAB FAUCETS	77	Z7100 SERIES	93
HOSES	49	SHOWER VALVE BODY	78	Z7101 SERIES	93
HYDRO GENERATOR	49	MISC. FAUCETS	78	Z7120 SERIES	94
Z6900 SERIES - ACCESSORIES	50	BEDPAN WASHERS	78	Z7121 SERIES	94
<b>AQUASENSE® FAUCET CROSS REFERENCE GUIDE</b>	<b>50</b>	SINK AND SERVICE SINK FAUCETS	79	Z7200 SERIES	94
<b>AQUASPEC® FAUCET BUILDER</b>	<b>51</b>	PRE-RINSE UNITS	81	Z7201 SERIES	95
<b>AQUASPEC® COMMERCIAL PRODUCT SUFFIXES</b>	<b>57</b>	SPRAY HOSES	82	Z7220 SERIES	95
<b>AQUASPEC® COMMERCIAL PRODUCTS</b>	<b>59</b>	TURRETS	82	Z7221 SERIES	95
4" CENTERSET LAVATORY FAUCETS	59	VALVES	82		
4" CENTERSET GOOSENECK FAUCETS	59	FOOT PEDAL VALVE	83	<b>TEMP-GARD® SERIES III - SHOWER VALVES</b>	<b>96</b>
4" CENTERSET CAST SPOUT FAUCETS	60	SUPPLY STOPS	83	Z7300 SERIES	96
4" CENTERSET TUBULAR SPOUT FAUCETS	60	MISCELLANEOUS ACCESSORIES	83	Z7301 SERIES	96
4" CENTERSET DOUBLE-JOINTED SPOUT FAUCETS	60	PRE-RINSE ACCESSORIES	84	Z7302 SERIES	96
4" CENTERSET VACUUM BREAKER SPOUT FAUCETS	61	POT FILLERS	84	<b>TEMP-GARD® AQUA-PANEL</b>	<b>97</b>
4" CENTERSET BENT RISER SPOUT FAUCETS	61	POT FILLER ACCESSORIES	84	Z7500 SERIES	97
4" CENTERSET METERING FAUCETS	61	HOSE REEL ACCESSORIES	85	Z7500-CR SERIES	97
SINK GOOSENECK FAUCETS	62	GLASS AND PITCHER FILLERS	85	Z7500-FL SERIES	97
SINK CAST SPOUT FAUCETS	62	BASKET STRAINERS	85	Z7500-TS SERIES	98
SINK TUBULAR SPOUT FAUCETS	62	REPAIR PARTS	85	Z7500-W2 SERIES	98
SINK DOUBLE-JOINTED SPOUT FAUCETS	63	AERATOR ADAPTERS	86	Z7500-W3 SERIES	98
SINK VACUUM BREAKER SPOUT FAUCETS	63	CERAMIC DISC XL CARTRIDGES	86	Z7530 SERIES	98
WIDESPREAD GOOSENECK FAUCETS	65	SINGLE CONTROL MIXING CARTRIDGES	86	Z7533 SERIES	99
WIDESPREAD CAST SPOUT FAUCETS	65	COVER PLATES	86	Z7550 SERIES	99
WIDESPREAD TUBULAR SPOUT FAUCETS	66	MIXING YOKES	86	<b>TEMP-GARD® AQUA-PANEL OPTIONS</b>	<b>99</b>
		BODY ASSEMBLY PARTS AND MOUNTING HARDWARE	86	AQUA-PANEL OPTIONS	99
		SUPPLY ARMS	87	SHROUD THICKNESS MODIFICATIONS	99
		METERING PARTS	87	CUSTOM MODIFICATIONS	99
		HANDLE PARTS	87	<b>TEMP-GARD® ACCESSORIES</b>	<b>100</b>
		SINGLE HANDLES	87	TEMP-GARD I SHOWER VALVE SERIES HANDLES	100
		PAIR OF HANDLES	87	TEMP-GARD III SHOWER VALVE SERIES HANDLES	100
		METERING HANDLES	87		
		SPOUTS	88		

For additional product information, please visit [www.zurn.com](http://www.zurn.com).

ARMS	100
CONVERSION HARDWARE FOR SHOWER VALVES	100
SHOWER HEADS	100
INSTITUTIONAL SHOWER HEADS	101
DIVERTER VALVES AND SPRING CHECKS	101
MISCELLANEOUS DIVERTER VALVE PARTS	101
HANDWALL UNITS	101
HANDSHOWER UNITS	102
MISCELLANEOUS HANDWALL PARTS	102
HANDWALL AND HANDSHOWER OPTIONS/ACCESSORIES	102
TUB SPOUTS	102
ATMOSPHERIC VACUUM BREAKERS	102
METERING VALVES	102
REPAIR KIT FOR METERING VALVE	102
TRACT PACKS FOR TEMP-GARD I SERIES VALVES	102
TRACT PACKS FOR TEMP-GARD III SERIES VALVES	103
TRIM PACKS FOR TEMP-GARD I SERIES VALVES	103
TRIM PACKS FOR TEMP-GARD III SERIES VALVES	104
SHOWER VALVE REPAIR KITS FOR TEMP-GARD I SERIES VALVES	104
SHOWER VALVE REPAIR KITS FOR TEMP-GARD III SERIES VALVES	104
MISCELLANEOUS TEMP-GARD I PARTS	104
MISCELLANEOUS TEMP-GARD III PARTS	104
SHOWER VALVE REPAIR KITS FOR AQUA-PANEL	105
MISCELLANEOUS AQUA-PANEL PARTS	105
SIERRA® FAUCET REPAIR KITS	105
SIERRA® FAUCET AERATORS, Z7440	105
SIERRA® FAUCET HANDLES, Z7440	105
SIERRA® FAUCET AERATORS, Z74500	105
Z74500, Z74600, AND Z74700 HANDLES AND INDEXES	105
MISCELLANEOUS SIERRA® FAUCET PARTS	105
Z7870 SERIES REPAIR KITS	105
Z7870C SERIES AERATORS	105

## **TUBULAR BRASS 107**

### **STANDARD LAVATORY SUPPLY STOPS AND KITS 109**

Z8800-XL SERIES PIPE - COMPRESSION (3/8 IPS X 3/8 OD)	109
Z8802-XL SERIES PIPE - COMPRESSION (1/2 IPS X 3/8 OD)	109
Z8803-XL SERIES PIPE - COMPRESSION (1/2 IPS X 1/2 OD)	109

Z8804-XL SERIES PIPE - COMPRESSION (1/2 NOM X 3/8 OD)	110
Z8805-XL SERIES PIPE - COMPRESSION (1/2 NOM X 1/2 OD)	110
Z8806-XL SERIES COPPER SWEAT - COMPRESSION (1/2 SWT X 3/8 OD)	111
Z8807-XL SERIES COPPER SWEAT - COMPRESSION (1/2 SWT X 1/2 OD)	111
Z8808-XL SERIES COPPER SWEAT - COMPRESSION (1/2 SWT X 3/8 OD)	111
Z8809-XL SERIES COPPER SWEAT - COMPRESSION (1/2 SWT X 1/2 OD)	111

### **HEAVY-DUTY LAVATORY SUPPLY STOPS AND KITS 112**

ZH8820-XL SERIES PIPE - COMPRESSION (3/8 IPS X 3/8 OD)	112
ZH8822-XL SERIES PIPE - COMPRESSION (1/2 IPS X 3/8 OD)	112
ZH8823-XL SERIES PIPE - COMPRESSION (1/2 IPS X 1/2 OD)	112
ZH8824-XL SERIES PIPE - COMPRESSION (1/2 NOM X 3/8 OD)	113
ZH8825-XL SERIES PIPE - COMPRESSION (1/2 NOM X 1/2 OD)	113
ZH8826-XL SERIES COPPER SWEAT - COMPRESSION (1/2 SWT X 3/8 OD)	113
ZH8827-XL SERIES COPPER SWEAT - COMPRESSION (1/2 SWT X 3/8 OD)	113

### **STANDARD CLOSET SUPPLY STOPS AND KITS 114**

Z8800-XL SERIES PIPE - COMPRESSION (3/8 IPS X 3/8 OD)	114
Z8802-XL SERIES PIPE - COMPRESSION (1/2 IPS X 3/8 OD)	114
Z8803-XL SERIES PIPE - COMPRESSION (1/2 IPS X 1/2 OD)	114
Z8804-XL SERIES PIPE - COMPRESSION (1/2 NOM X 3/8 OD)	115
Z8805-XL SERIES PIPE - COMPRESSION (3/8 IPS X 3/8 OD)	115
Z8806-XL SERIES COPPER SWEAT - COMPRESSION (1/2 IPS X 3/8 OD)	116
Z8807-XL SERIES COPPER SWEAT - COMPRESSION (1/2 IPS X 1/2 OD)	116
Z8808-XL SERIES COPPER SWEAT - COMPRESSION (1/2 SWT X 3/8 OD)	116
Z8809-XL SERIES COPPER SWEAT - COMPRESSION (1/2 SWT X 1/2 OD)	116

### **HEAVY-DUTY CLOSET SUPPLY STOPS AND KITS 117**

ZH8820-XL SERIES PIPE - COMPRESSION (3/8 IPS X 3/8 OD)	117
--	-----

ZH8822-XL SERIES PIPE - COMPRESSION (1/2 IPS X 3/8 OD)	117
ZH8823-XL SERIES PIPE - COMPRESSION (1/2 IPS X 1/2 OD)	117
ZH8824-XL SERIES PIPE - COMPRESSION (1/2 NOM X 3/8 OD)	118
ZH8825-XL SERIES PIPE - COMPRESSION (1/2 IPS X 1/2 OD)	118
ZH8826-XL SERIES COPPER SWEAT - COMPRESSION (1/2 SWT X 3/8 OD)	118
ZH8827-XL SERIES COPPER SWEAT - COMPRESSION (1/2 SWT X 3/8 OD)	118

## **BRAIDED STAINLESS STEEL SUPPLIES 119**

LAVATORY/SINK SUPPLIES	119
Z8860-XL SERIES COMPRESSION - FEMALE THREADED PIPE (3/8 COMP X 1/2 FIP)	119
Z8861-XL SERIES FEMALE THREADED PIPE - FEMALE THREADED PIPE (1/2 FIP X 1/2 FIP)	119
Z8862-XL SERIES COMPRESSION - FEMALE THREADED PIPE (1/2 COMP X 1/2 FIP)	119
CLOSET SUPPLIES	119
Z8870-XL SERIES COMPRESSION - BALLCOCK NUT (3/8 COMP X 7/8 BALLCOCK NUT)	119
Z8873-XL SERIES COMPRESSION - BALLCOCK NUT (1/2 COMP X 7/8 BALLCOCK NUT)	119

## **FLANGES AND NIPPLES 120**

FLANGES	120
NIPPLES	120

## **SEMI-CAST TRAPS 121**

P-TRAPS WITH WALL BEND	121
P-TRAPS WITH WALL BEND LESS CLEANOUT	122
P-TRAPS WITH WALL BEND LESS CLEANOUT AND WITH CLEANOUT - TAMPER PROOF	122
LESS CLEANOUT	122
WITH CLEANOUT	122
SWIVEL P-TRAPS	123
ALL-CAST SWIVEL TRAPS WITH COPPER EXTENSION P-TRAP	123

## **TRAPS 124**

TUBULAR P-TRAPS	124
LESS CLEANOUT	124
WITH CLEANOUT	124
TUBULAR P-TRAPS - EXTRA LONG, 15" AND 18"	124
LESS CLEANOUT	124
WITH CLEANOUT	124
TUBULAR S-TRAPS	125
LESS CLEANOUT	125
WITH CLEANOUT	125

For additional product information, please visit [www.zurn.com](http://www.zurn.com).

LOW INLET P-TRAPS LESS CLEANOUT	125
REPAIR P-TRAPS AND P-BENDS	125
LOS ANGELES CODE TRAPS	125
WASHINGTON D.C. TRAPS	125
LESS CLEANOUT	125
WITH CLEANOUT	125
MILWAUKEE P-TRAPS	125
LESS CLEANOUT	125
WITH CLEANOUT	125

### **SANITARY-DASH® PREMIUM LINE OF BASKET STRAINERS 126**

STICK TYPE SS BASKET STRAINER	126
STICK TYPE SS BASKET STRAINER WITH CHROME-PLATED BRASS BODY	126
FOUR-PRONGE SS BASKET STRAINER CHROME- PLATED BRASS BODY – STAINLESS BASKET.\	126
STICK TYPE SS BASKET STRAINER WITH LONG SHANK	126
STAINLESS STEEL BASKET STRAINER	127
BRASS BODY BASKET STRAINER WITH SPIN AND LOCK BASKET CLOSURE	127
STAINLESS STEEL MACHINE THREADED TAIL-PIPE BASKET STRAINER	127
STICK TYPE BASKET STRAINER WITH ALL STAINLESS STEEL BODY	127
FLAT TOP SINK STRAINER 3"-3-1/2" OUTLET WITH REVERSIBLE LOCKNUT	128
DUPLEX SINK STRAINER 2"-2-1/2" OUTLET	128
JR. 2" BASKET STRAINER	128
ACCESSORIES	128

### **STRAINERS, P.O. PLUGS, AND OFFSETS 129**

BEEHIVE URINAL STRAINERS	129
FLAT GRID URINAL STRAINERS	129
FLAT GRID FIPS URINAL STRAINERS	129
FLAT GRID SINK STRAINERS	129
WIDE TOP SINK STRAINERS	129
HEAVY-DUTY BASKET STRAINERS	130
SOLID TOP, OPEN-GRID P.O. PLUGS	130
SOLID TOP, OPEN-GRID P.O. PLUGS OPTIONS	130
OFFSET LAVATORY STRAINERS, ADA COMPLIANT	131
OPTIONS FOR OFFSET LAVATORY STRAINERS, ADA COMPLIANT	131
OFFSET SINK STRAINERS, ADA COMPLIANT	131

### **OVERFLOWS 132**

BRASS WASTE AND OVERFLOWS WITH CHAIN AND STOPPER	132
BRASS TRIP LEVER WASTES PLUNGER TYPE	132

BRASS POP-UP FOOT ACTIVATED	132
LIFT AND TURN WASTES	132
<b>TRAP, STOP, AND SUPPLY PROTECTORS 133</b>	
INSUL-GUARD™ RETROFIT KITS	133
PRE-WRAPPED CAST BODY P-TRAPS WITH TUBULAR WALL BEND	133
PRE-WRAPPED CAST BODY P-TRAPS WITH LAVATORY OFFSET ASSEMBLY	133

### **FIXTURES 135**

#### **SUNDARA™ HANDWASHING SYSTEM 136**

SUNDARA HANDWASHING SYSTEMS	136
SOLID SURFACE CARRIERS	136

#### **FLUSH VALVE TOILETS 137**

1.1 GPF OR GREATER, ELONGATED, WALL HUNG FLUSH VALVE TOILET	137
1.28 GPF OR GREATER, CONCEALED, ELONGATED, WALL HUNG FLUSH VALVE TOILET	137
1.6 GPF, BACK OUTLET, FLOOR MOUNTED FLUSH VALVE TOILET	137
1.6 GPF, ADA HEIGHT, BACK OUTLET, FLOOR MOUNTED FLUSH VALVE TOILET	137
1.28 GPF OR GREATER, BACK OUTLET, FLOOR MOUNTED FLUSH VALVE TOILET	137
1.28 GPF OR GREATER, ADA HEIGHT, BACK OUTLET, FLOOR MOUNTED FLUSH VALVE TOILET	137
1.1 GPF OR GREATER, ELONGATED, FLOOR MOUNTED FLUSH VALVE TOILET	138
1.28 GPF OR GREATER, 14" HEIGHT, ELONGATED, FLOOR MOUNTED FLUSH VALVE TOILET	138
1.1 GPF OR GREATER, ADA HEIGHT, ELONGATED, FLOOR MOUNTED FLUSH VALVE TOILET	138
CHILDREN'S ROUND FLOOR MOUNTED FLUSH VALVE TOILET	138
1.6 GPF, HEAVY-DUTY BARIATRIC, ANTIMICROBIAL POWDER COATED	138
1.6 GPF, EXTRA-HEAVY-DUTY BARIATRIC, ANTIMICROBIAL POWDER COATED	138

#### **TWO-PIECE TOILETS 139**

1.28 GPF, ELONGATED, HIGH EFFICIENCY SIPHON JET TOILET	139
1.6 GPF, ELONGATED, HIGH PERFORMANCE, SIPHON JET TOILET	139
1.6 PGF, ELONGATED, SIPHON JET TWO-PIECE TOILET	139
1.6 PGF, ROUND, SIPHON JET TWO-PIECE TOILET	139
1.6 GPF, ADA HEIGHT, ELONGATED, SIPHON JET TWO-PIECE TOILET	139

### **TWO PIECE, PRESSURE ASSIST TOILET 140**

1.0 GPF, HIGH EFFICIENCY, ELONGATED PRESSURE ASSIST TOILET	140
1.6 GPF, ELONGATED PRESSURE ASSIST TOILET	140
DUAL FLUSH 1.6/1.0 GPF, HIGH EFFICIENCY, ELONGATED PRESSURE ASSIST TOILET	140
PRESSURE ASSIST TOILET OPTION ADDERS	140
PRESSURE ASSIST REPLACEMENT TANK KIT	140

### **URINALS 141**

0.125 GPF, ULTRA LOW CONSUMPTION URINAL	141
1.0 GPF, SIPHON JET URINAL	141
0.125 GPF TO 1.0 GPF, OMNI-FLO® URINAL	141
WATER FREE URINAL	141

### **WALL HUNG LAVATORIES 142**

19" X 17" WALL HUNG LAVATORIES	142
20" X 18" WALL HUNG LAVATORIES	142
23" X 20-1/4" WHEELCHAIR LAVATORY	142

### **COUNTERTOP AND UNDERMOUNT LAVATORIES 143**

20" X 17" SELF- RIMMING COUNTERTOP LAVATORIES	143
19" ROUND SELF- RIMMING COUNTERTOP LAVATORIES	143
19" X 16" UNDERMOUNT LAVATORIES	143

### **CAST IRON LAVATORIES 143**

20" X 17" SELF-RIMMING ENAMELED CAST IRON LAVATORY	143
19" ROUND SELF-RIMMING ENAMELED CAST IRON LAVATORY	143
19" X 17" ENAMELED CAST IRON WALL HUNG LAVATORY	143
20" X 18" ENAMELED CAST IRON WALL HUNG LAVATORY	143

### **HOSPITAL AND INSTITUTIONAL FIXTURES 144**

WALL MOUNT, BLOWOUT SERVICE SINK	144
FLOOR MOUNTED, SIPHON JET SERVICE SINK	144
28" X 22" SURGEON SINK	144

### **SPECIALTY FIXTURES 144**

CUSTODIAL FLOOR SINK	144
SERVICE SINK	144
CAST IRON TRAP STANDARD FOR SERVICE SINKS	144

### **TOILET SEATS 145**

TOILET SEATS	145
--------------	-----

**MISCELLANEOUS PARTS 146**

TOILETS	146
URINALS	146
LAVATORIES	146
OTHER	147

**AQUAPARTS® AND ASSEMBLIES 155****AQUAPARTS® PARTS AND ASSEMBLIES 156**

A – FLUSH TUBES WITH VACUUM BREAKER FOR AQUAVANTAGE® AND AQUAFLUSH® FLUSH VALVES	156
B – VACUUM BREAKER REPAIR KITS FOR AQUAVANTAGE® AND AQUAFLUSH®	157
C, D – CONTROL STOP KITS FOR AQUAVANTAGE® AND AQUAFLUSH®	157
E – INTERNAL KITS AND ASSEMBLIES	158
G, H – WALL FLANGES, SPUD CONNECTIONS, AND COUPLINGS FOR AQUAVANTAGE® AND AQUAFLUSH®	159
J, K – TAILPIECE EXTENSIONS AND COUPLING NUT ASSEMBLIES FOR AQUAVANTAGE® AND AQUAFLUSH®	160
L, M – VALVE CAPS AND HANDLE PARTS FOR AQUAVANTAGE® AND AQUAFLUSH® EXPOSED FLUSH VALVES	160
METRO – METROFLUSH® FLUSH VALVE PARTS	161
N – CONCEALED VALVE ACTUATOR ASSEMBLIES AND REPAIR PARTS FOR AQUAVANTAGE® AND AQUAFLUSH®	161
ORK – E-Z FLUSH®/OPTIMA PLUS CHANGE-OUT KITS	163
M-ORK – HANDLE/OPTIMA PLUS CHANGE-OUT KITS	163
P – DIVERTER PARTS FOR BEDPAN WASHERS	163
Q – MISCELLANEOUS FLUSH CONNECTIONS AND ELBOWS FOR AQUAVANTAGE® AND AQUAFLUSH® CONCEALED VALVES	164
TPO – TRAP PRIMER PARTS FOR AQUAVANTAGE® AND AQUAFLUSH® VALVES	165
Y – MISCELLANEOUS VALVE PARTS AND ACCESSORIES	165
ZH – HYDRAULIC SERIES FLUSH VALVE REPAIR KITS AND PARTS FOR AQUAVANTAGE® AND AQUAFLUSH® VALVES	166
ZEMS – AQUASENSE® ZEMS ELECTRONIC SENSOR REPLACEMENT PARTS	167
ZERK – AQUASENSE® E-Z FLUSH BATTERY SENSOR REPLACEMENT PARTS	167
ZR – AQUASENSE® RETROFLUSH® BATTERY SENSOR REPLACEMENT PARTS	168

ZTS – ECOVANTAGE® BATTERY SENSOR FLUSH VALVES – ZTS SERIES	168
ZTR – ECOVANTAGE® BATTERY SENSOR FLUSH VALVES – ZTR SERIES	169
Z5795 WATER FREE URINAL PARTS	170
ZBF – AQUASENSE® E-Z SENSOR-OPERATED FAUCETS REPLACEMENT PARTS	170

**PRODUCTS/PARTS EXPLODED VIEWS WITH IDENTIFICATION 174**

AQUAVANTAGE® AV FLUSH VALVES WITH CHEMICAL AND CLOG-RESISTANT, TRIPLE FILTER DIAPHRAGM	174
AQUAVANTAGE® AND AQUAFLUSH® CONCEALED REPLACEMENT PARTS - Z6100AV AND Z6100 SERIES	175
AQUAFLUSH® FLUSH VALVES WITH CHEMICAL AND CLOG-RESISTANT DIAPHRAGM	176
AQUAVANTAGE® AND AQUAFLUSH® HYDRAULIC-OPERATED REPLACEMENT PARTS	177
METROFLUSH® REPLACEMENT PARTS	178
BEDPAN WASHER REPLACEMENT PARTS	179
ZTR6200EV SERIES REPLACEMENT PARTS	180
ZEMS-IS SERIES REPLACEMENT PARTS	181
ZEMS CLOSET SERIES REPLACEMENT PARTS	182
ZEMS URINAL VALVE REPLACEMENT PARTS	183
ZEMS G2 SERIES REPLACEMENT PARTS	184
ZEMS G2 SERIES REPLACEMENT PARTS	186
E-Z FLUSH® REPLACEMENT PARTS	187
RETROFLUSH® REPLACEMENT PARTS	188
AQUASENSE® E-Z SENSOR - Z6913-XL AND Z6915-XL FAUCETS REPLACEMENT PARTS	189
AQUASENSE® E-Z SENSOR - Z6920-XL (DECK MOUNT) AND Z6922-XL (BACK MOUNT) FAUCET REPLACEMENT PARTS	190
AQUASENSE® E-Z SENSOR - Z6930-XL FAUCET REPLACEMENT PARTS	191
Z6950 AQUA-FIT® SERIO SERIES® REPLACEMENT PARTS	192

**ALPHANUMERIC INDEX 197**



# FLUSH VALVES

<b>FLUSH VALVE INTRODUCTION</b>	<b>8</b>	METROFLUSH® AQUASENSE® E-Z FLUSH® ZER EXPOSED SENSOR BATTERY PISTON FLUSH VALVES	<b>19</b>	<b>HYDRAULIC FLUSH VALVES</b>	<b>28</b>
<b>EXPOSED MANUAL FLUSH VALVES</b>	<b>9</b>	AQUASENSE® E-Z FLUSH® RETROFIT KITS	<b>19</b>	AQUAVANTAGE® AV EXPOSED ZH HYDRAULIC ACTUATION DIAPHRAGM FLUSH VALVES	<b>28</b>
AQUAVANTAGE® AV EXPOSED MANUAL DIAPHRAGM FLUSH VALVES	<b>9</b>	AQUAVANTAGE® AV ZR RETROFLUSH® SENSOR BATTERY FLUSH VALVE	<b>20</b>	AQUAVANTAGE® AV CONCEALED ZH HYDRAULIC ACTUATION DIAPHRAGM FLUSH VALVES	<b>29</b>
AQUAVANTAGE® AV EXPOSED MANUAL DIAPHRAGM FLUSH VALVES	<b>10</b>	AQUAVANTAGE® AV ZR RETROFLUSH® FLUSH VALVE BODY LESS STOP AND FLUSH CONNECTION	<b>20</b>	AQUAFLUSH® PLUS PL EXPOSED ZH HYDRAULIC ACTUATION DIAPHRAGM FLUSH VALVES	<b>29</b>
AQUAFLUSH® PLUS PL EXPOSED MANUAL DIAPHRAGM FLUSH VALVES	<b>11</b>	ZR RETROFLUSH® - RETROFIT KIT ONLY	<b>20</b>	AQUAFLUSH® EXPOSED ZH HYDRAULIC ACTUATION DIAPHRAGM FLUSH VALVES	<b>30</b>
AQUAFLUSH® EXPOSED MANUAL DIAPHRAGM FLUSH VALVES	<b>12</b>	OPTIONS FOR SENSOR FLUSH VALVE	<b>20</b>	AQUAFLUSH® CONCEALED ZH HYDRAULIC ACTUATION DIAPHRAGM FLUSH VALVES	<b>30</b>
METROFLUSH® EXPOSED PISTON FLUSH VALVES	<b>12</b>	<b>EXPOSED SENSOR HARDWIRED FLUSH VALVES</b>	<b>21</b>	OPTIONS FOR HYDRAULIC ACTUATION	<b>30</b>
<b>EXPOSED MANUAL DIAPHRAGM FLUSH VALVES WITH BEDPAN DIVERter</b>	<b>13</b>	ECOVANTAGE® ZTR EXPOSED HARDWIRED SENSOR PISTON FLUSH VALVES	<b>21</b>	<b>PRISON FLUSH VALVES</b>	<b>31</b>
AQUAVANTAGE® AV EXPOSED MANUAL DIAPHRAGM FLUSH VALVES WITH BEDPAN DIVERter VALVE	<b>13</b>	AQUAVANTAGE® AV ZEMS EXPOSED HARDWIRED SENSOR DIAPHRAGM FLUSH VALVES	<b>21</b>	AQUAVANTAGE® AV PRISON FLUSH VALVES	<b>31</b>
AQUAFLUSH® PLUS PL EXPOSED MANUAL DIAPHRAGM FLUSH VALVES WITH BEDPAN DIVERter VALVE	<b>14</b>	AQUAFLUSH® PLUS PL ZEMS EXPOSED HARDWIRED SENSOR DIAPHRAGM FLUSH VALVES	<b>22</b>	AQUAVANTAGE® AV ZH HYDRAULIC ACTUATION PRISON FLUSH VALVES	<b>31</b>
AQUAFLUSH® EXPOSED MANUAL DIAPHRAGM FLUSH VALVES WITH BEDPAN DIVERter VALVE	<b>14</b>	AQUAFLUSH® ZEMS EXPOSED HARDWIRED SENSOR DIAPHRAGM FLUSH VALVES	<b>22</b>	AQUAFLUSH® PRISON FLUSH VALVES	<b>32</b>
<b>EXPOSED CLINIC AND SERVICE SINK FLUSH VALVES</b>	<b>15</b>	METROFLUSH® ZEMS EXPOSED HARDWIRED SENSOR PISTON FLUSH VALVES	<b>23</b>	AQUAFLUSH® ZH HYDRAULIC ACTUATION PRISON FLUSH VALVES	<b>32</b>
EXPOSED MANUAL DIAPHRAGM FLUSH VALVES FOR CLINIC AND SERVICE SINKS	<b>15</b>	HARDWIRED SENSOR FLUSH VALVES OPTIONS	<b>23</b>	<b>AQUAVANTAGE® AV FOOT PEDAL ACTUATION FLUSH VALVES</b>	<b>32</b>
<b>EXPOSED SENSOR FLUSH VALVES</b>	<b>16</b>	<b>CONCEALED FLUSH VALVES</b>	<b>24</b>	<b>FLUSH VALVES FOR EASTERN STYLE WATER CLOSETS</b>	<b>33</b>
ECOVANTAGE® ZTR EXPOSED SENSOR BATTERY PISTON FLUSH VALVES	<b>16</b>	AQUAVANTAGE® AV ZEMS CONCEALED HARDWIRED IN WALL SENSOR DIAPHRAGM FLUSH VALVES	<b>24</b>	<b>ACCESS PANELS</b>	<b>33</b>
AQUASENSE® E-Z FLUSH® AQUAVANTAGE® AV EXPOSED SENSOR BATTERY DIAPHRAGM FLUSH VALVES	<b>16</b>	AQUAVANTAGE® AV ZER CONCEALED BATTERY IN WALL SENSOR DIAPHRAGM FLUSH VALVES	<b>25</b>	<b>RETROFIT X-BODIES - EXPOSED AND CONCEALED</b>	<b>34</b>
AQUASENSE® E-Z FLUSH® AQUAVANTAGE® AV EXPOSED SENSOR BATTERY DIAPHRAGM FLUSH VALVES	<b>17</b>	AQUAVANTAGE® AV CONCEALED DIAPHRAGM FLUSH VALVES	<b>26</b>	<b>ACCESSORIES/VARIATIONS</b>	<b>35</b>
AQUASENSE® E-Z FLUSH® AQUAFLUSH® PLUS PL EXPOSED SENSOR BATTERY DIAPHRAGM FLUSH VALVES	<b>18</b>	AQUAFLUSH® CONCEALED DIAPHRAGM FLUSH VALVES	<b>27</b>	<b>SPECIALTY ITEMS</b>	<b>36</b>
AQUASENSE® E-Z FLUSH® AQUAFLUSH® EXPOSED SENSOR BATTERY DIAPHRAGM FLUSH VALVES	<b>18</b>			<b>ZURN® AQUAVANTAGE® AV/SLOAN® FLUSH VALVE CROSS REFERENCE</b>	<b>37</b>



## FLUSH VALVE INTRODUCTION

Zurn is proud to offer a broad selection of manual and sensor flush valves to meet building owners' and facilities managers' wide variety of needs. Our EcoVantage® water-conserving valves lead the industry with the highest levels of performance while maximizing water savings. We were the first to launch the pint urinal, and we're still leading the market with our Omni-Flo™ urinal and 1.1gpf AquaVantage® flush valves. And with a wide variety of technologies and installation types, specifiers are sure to find a product to suit their applications.

### AquaVantage® AV Diaphragm Flush Valves

Zurn AquaVantage flush valves feature a chemical and clog-resistant triple filter diaphragm, ensuring that the contaminants in your water won't clog the diaphragm over time. Like all Zurn diaphragms, these are made from Zurn's GO BLUE! thermoplastic elastomer material, designed to last up to 10 times longer than the competition. AV flush valves come standard with an ADA-compliant sensor or handle, vandal-resistant control stop cover, high-pressure vacuum breaker, and cast wall flange with set screws. All components can be purchased separately as replacement parts or as retrofit kits to provide any Zurn or Sloan diaphragm flush valve with the AquaVantage®.

### Aquaflush® PLUS PL Flush Valves

The Aquaflush PLUS PL series offer Zurn's chloramine-resistant TPE diaphragm with a clog resistant bypass, ADA compliant valve with a non-hold open handle or sensor, cast wall flange with set screw, vandal-resistant control stop cover, high-pressure vacuum breaker, and sweat solder kit.

### Aquaflush® Z6000 Series Flush Valves

For those applications that do not require the advanced features of Zurn's AquaVantage® AV line, the Z6000 Series is supplied with ADA handle and standard control stop cover with stamped wall flange and chemical-resistant diaphragm kit.

### ZTR Sensor Piston Flush Valves

Zurn's ZTR sensor piston flush valve series provides a high-performance flushing system with unsurpassed water savings, all in a contemporary, streamlined design. The ZTR is equipped with chloramine-resistant internal seals which reduce maintenance costs, while flow rates as low as 1.1gpf (closets) and 0.125gpf (urinal) save 30% more water than typical 1.6gpf bowls.

ZTR piston flush valves come standard with chemical and clog-resistant components, ADA-compliant sensor activation, cast wall flange with set screw, vandal-resistant control stop cover, high-pressure vacuum breaker, and sweat solder kit. This product can be installed for new construction or retrofitted to existing installations to lower building costs and provide long-term savings.

### Metroflush® Manual Piston Flush Valves

Zurn Metroflush® manual piston flush valves are equipped with a chloramine-resistant piston with clog-resistant filtered bypass, and chemical-resistant gaskets and seals for extended service life with lower maintenance costs.

## ACTUATION

### Manual

Requiring direct contact from the user to activate a flush via a handle, push button, or foot pedal actuator; these valves are the cornerstone of the Zurn flush valve portfolio. Manual valves can be either diaphragm or piston operated.

### Sensor

Zurn's AquaSense® sensor technology provides reliable actuation through a continuous infrared beam that can detect the difference between a fixture user and passersby. Sensor placement can be integral to the valve or wall-mounted in a concealed application. With battery or hardwire power options, sensor valves can be either diaphragm or piston operated.

### Hydraulic

Utilizing hydraulic pressure, this style requires manual activation to trip a non-hold-open type hydraulic push button actuator that may be located up to 36" from the valve. Hydraulic valves are diaphragm operated.

## Power Options

### Hardwire, Battery and Long-Life Battery (-LL)

Most Zurn sensor flush valves are available in either battery or hard-wired configurations, depending on the installation requirements. Some valves, noted with a -LL suffix, offer a 10-year lithium battery option for long-life installations

## Exposed vs. Concealed Installations

Exposed flush valves offer ease of access and utility for everyday projects, with all working components in view. These installations are the most common, with easier access for servicing and retrofit.

Concealed flush valves such as the ZEMS line of valves bring the everyday reliability of exposed valves to those situations where aesthetics and security lead over function. Consider adding an access panel to provide quick and simple access to in-wall concealed flush valves while maintaining the discreet appearance.

# EXPOSED MANUAL FLUSH VALVES

## AquaVantage® AV Exposed Manual Diaphragm Flush Valves

PRODUCT NO.	DESCRIPTION	FLOW RATE	UPC	LIST PRICE
<b>AquaVantage® AV Exposed Flush Valve for 1-1/2" Top Spud Water Closet</b>				
Z6000AV-ONE	Standard 11 1/2" Rough-in	1.1 gpf	889934100495	298.00
Z6000AV-HET	Standard 11 1/2" Rough-in	1.28 gpf	670240364417	298.00
Z6000AV-HET-DF	w/ Dual Flush Handle	1.1/1.28 gpf	670240848412	357.00
Z6000AV-1-HET	16" Rough-In	1.28 gpf	670240456983	349.00
Z6000AV-2-HET	24" Rough-In	1.28 gpf	670240381544	373.00
Z6000AV-3-HET	27" Rough-In	1.28 gpf	670240382282	418.00
Z6000AV-HET-H	w/ Front Handle	1.28 gpf	670240490925	334.00
Z6000AV-HET-HL3	w/ Front 3" Push Button	1.28 gpf	670240794719	345.00
Z6000AV-HET-YG	w/ Extended bumper on control stop	1.28 gpf	670240387904	298.00
Z6000AV-HET-YO	w/ Bumper on angle stop	1.28 gpf	670240449572	298.00
Z6000AV-WS1	Standard 11 1/2" Rough-in	1.6 gpf	670240576964	298.00
Z6000AV-WS1-DF	w/ Dual Flush Handle	1.1/1.6 gpf	670240654471	357.00
Z6000AV-1-WS1	16" Rough-In	1.6 gpf	670240546493	349.00
Z6000AV-2-WS1	24" Rough-In	1.6 gpf	670240532540	373.00
Z6000AV-3-WS1	27" Rough-In	1.6 gpf	670240532267	345.00
Z6000AV-WS1-H	w/ Front Handle	1.6 gpf	670240547698	334.00
Z6000AV-WS1-HL3	w/ Front 3" Push Button	1.6 gpf	670240530850	345.00
Z6000AV-WS1-YG	w/ Extended bumper on control stop	1.6 gpf	670240580824	298.00
Z6000AV-WS1-YO	w/ Bumper on angle stop	1.6 gpf	670240529175	298.00
<b>AquaVantage® AV Exposed Extended Flush Valve for 1-1/2" Top Spud Water Closet</b>				
Z6011AV-WS1	26-1/2" Rough-In for Grab Bar	1.6 gpf	670240537170	403.00
Z6014AV-WS1	34-3/8" Rough-In	1.6 gpf	670240541238	419.00
<b>AquaVantage® AV Exposed Flush Valve for 1-1/2" Back Spud Water Closets</b>				
Z6010AV-HET	Standard 11 1/2" Rough-in	1.28 gpf	670240834941	318.00
Z6010AV-1-HET	16" Rough-In	1.28 gpf	-	328.00
Z6010AV-2-HET	24" Rough-In	1.28 gpf	670240965034	361.00
Z6010AV-WS1	Standard 11 1/2" Rough-in	1.6 gpf	670240547728	318.00
Z6010AV-WS1-DF	w/ Dual Flush Handle	1.1/1.6 gpf	-	376.00
Z6010AV-1-WS1	16" Rough-In	1.6 gpf	-	328.00
Z6010AV-2-WS1	24" Rough-In	1.6 gpf	-	361.00
<b>AquaVantage® AV Exposed Flush Valve for 1-1/4" Top Spud Urinals</b>				
Z6001AV-WS1	Standard 11 1/2" Rough-in	1.0 gpf	670240532755	298.00
Z6001AV-WS1-H	w/ Front Handle	1.0 gpf	670240370791	334.00
Z6001AV-WS1-HL3	w/ Front 3" Push Button	1.0 gpf	-	345.00



Z6000AV



Z6014AV



Z6010AV



Z6001AV

## AquaVantage® AV Exposed Manual Diaphragm Flush Valves

PRODUCT NO.	DESCRIPTION	FLOW RATE	UPC	LIST PRICE
<b>AquaVantage® AV Exposed Flush Valve for 3/4" Top Spud Urinals</b>				
Z6003AV-ULF	Standard 11 1/2" Rough-in	0.125 gpf	670240382749	298.00
Z6003AV-EWS	Standard 11 1/2" Rough-in	0.5 gpf	670240632264	298.00
Z6003AV-WS1	Standard 11 1/2" Rough-in	1.0 gpf	670240577244	298.00
Z6003AV-WS1-H	w/ Front Handle	1.0 gpf	670240574564	334.00
Z6003AV-WS1-HL3	w/ Front 3" Push Button	1.0 gpf	670240537903	345.00
Z6003AV-WS1-U	w/ 1 1/4" Flush Connection	1.0 gpf	670240648142	298.00
<b>AquaVantage® AV Exposed Flush Valve with Trap Primer</b>				
Z6000AV-WS1-TP	Standard 11 1/2" Rough-in	1.6 gpf	670240538245	427.00
Z6000AV-1-WS1-TP	16" Rough-In	1.6 gpf	670240602946	443.00
Z6000AV-2-WS1-TP	24" Rough-In	1.6 gpf	670240544369	454.00
Z6000AV-3-WS1-TP	27" Rough-In	1.6 gpf	-	459.00
<b>AquaVantage® AV Trap Primer Assembly ONLY</b>				
P6000-TPO	Standard 11 1/2" Rough-in		670240413184	131.00
P6000-1-TPO	16" Rough-In		670240414440	137.00
P6000-2-TPO	24" Rough-In		670240414358	144.00
P6000-3-TPO	27" Rough-In		670240414235	150.00
	Less Fittings Deduct			(11.00)
P6000-TPE	Trap Primer Elbow for Concealed Valve		670240441330	85.00
P6000-TPF	Fittings Only for -TP		670240448407	60.00
<b>AquaVantage® AV Exposed Flush Valve for Flushing Floor Drains</b>				
Z6099AV-WS1		1.6 gpf	670240551046	528.00



Z6003AV



Z6000AV-TP



P6000-TPO



Z6099AV

## Aquaflush® Plus PL Exposed Manual Diaphragm Flush Valves

PRODUCT NO.	DESCRIPTION	FLOW RATE	UPC	LIST PRICE
<b>Aquaflush® Plus PL Exposed Flush Valve for 1-1/2" Top Spud Water Closets</b>				
Z6000PL-ONE	Standard 11 1/2" Rough-in	1.1 gpf	-	<b>290.00</b>
Z6000PL-HET	Standard 11 1/2" Rough-in	1.28 gpf	670240382008	<b>290.00</b>
Z6000PL-1-HET	16" Rough-In	1.28 gpf	670240807679	<b>303.00</b>
Z6000PL-2-HET	24" Rough-In	1.28	670240388079	<b>306.00</b>
Z6000PL-3-HET	27" Rough-In	1.28 gpf	670240484870	<b>312.00</b>
Z6000PL-WS1	Standard 11 1/2" Rough-in	1.6 gpf	670240552852	<b>290.00</b>
Z6000PL-WS1-DF	w/ Dual Flush Handle	1.1/1.6 gpf	670240403291	<b>373.00</b>
Z6000PL-1-WS1	16" Rough-In	1.6 gpf	670240642096	<b>303.00</b>
Z6000PL-2-WS1	24" Rough-In	1.6 gpf	670240574045	<b>306.00</b>
Z6000PL-3-WS1	27" Rough-In	1.6 gpf	670240393127	<b>312.00</b>
<b>Aquaflush® Plus PL Exposed Flush Valve for 1-1/2" Back Spud Water Closets</b>				
Z6010PL-HET	Standard 11 1/2" Rough-in	1.28 gpf	670240847941	<b>324.00</b>
Z6010PL-WS1	Standard 11 1/2" Rough-in	1.6 gpf	670240244993	<b>310.00</b>
<b>Aquaflush® Plus PL Exposed Flush Valve for 1-1/4" Top Spud Urinals</b>				
Z6001PL-WS1	Standard 11 1/2" Rough-in	1.0 gpf	670240606944	<b>290.00</b>
<b>Aquaflush® Plus PL Exposed Flush Valve for 3/4" Top Spud Urinals</b>				
Z6003PL-EWS	Standard 11 1/2" Rough-in	.5 gpf	670240422902	<b>290.00</b>
Z6003PL-WS1	Standard 11 1/2" Rough-in	1.0 gpf	670240552845	<b>290.00</b>
Z6003PL-ULF	Standard 11 1/2" Rough-in	.125 gpf	670240459007	<b>290.00</b>
<b>Aquaflush® Plus PL Exposed Flush Valve with Trap Primer</b>				
Z6000PL-WS1-TP	w/ Trap Primer	1.6 gpf	670240638266	<b>405.00</b>
Z6000PL-WS1-TP-YK	w/ Trap Primer and Solid Ring Pipe Support	1.6 gpf	670240788671	<b>471.00</b>



Z6000PL-HET



Z6010PL-WS1



Z6001PL-WS1



Z6003PL-WS1



Z6000PL-WS1-TP

## Aquaflush® Exposed Manual Diaphragm Flush Valves

PRODUCT NO.	DESCRIPTION	FLOW RATE	UPC	LIST PRICE
<b>Aquaflush® Exposed Flush Valve for 1-1/2" Top Spud Water Closets</b>				
Z6000-ONE-YB-YC	Standard 11 1/2" Rough-in	1.1 gpf	-	298.00
Z6000-WS1-YB-YC	Standard 11 1/2" Rough-in	1.6 gpf	670240410602	298.00
Z6000-1-WS1-YB-YC	16" Rough-In	1.6 gpf	670240420410	308.00
Z6000-2-WS1-YB-YC	24" Rough-In	1.6 gpf	670240421653	312.00
Z6000-3-WS1-YB-YC	27" Rough-In	1.6 gpf	670240422988	311.00
<b>Aquaflush® Exposed Extended Flush Valve for 1-1/2" Top Spud Water Closets</b>				
Z6014-YB-YC	34-3/8" Rough-In	3.5 gpf	670240428805	330.00
<b>Aquaflush® Exposed Flush Valve for 1-1/2" Back Spud Water Closets</b>				
Z6010-WS1-YB-YC	Standard 11 1/2" Rough-in	1.6 gpf	670240427365	318.00
Z6010-1-WS1-YB-YC	16" Rough-In	1.6 gpf	670240426535	330.00
Z6010-2-WS1-YB-YC	24" Rough-In	1.6 gpf	670240426856	333.00
<b>Aquaflush® Exposed Flush Valve for 1-1/4" Top Spud Urinal</b>				
Z6001-WS1-YB-YC	Standard 11 1/2" Rough-in	1.0 gpf	670240416574	298.00
<b>Aquaflush® Exposed Flush Valve for 3/4" Top Spud Urinal</b>				
Z6003-EWS-YB-YC	Standard 11 1/2" Rough-in	.5 gpf	670240396975	298.00
Z6003-WS1-YB-YC	Standard 11 1/2" Rough-in	1.0 gpf	670240410688	298.00
<b>Aquaflush® Flush Valve with Trap Primer</b>				
Z6000-WS1-TP-YB-YC	Standard 11 1/2" Rough-in		670240421028	427.00
Z6000-1-WS1-TP-YB-YC	16" Rough-In		-	443.00
Z6000-2-WS1-TP-YB-YC	24" Rough-In	1.6 gpf	670240242210	454.00

## Metroflush® Exposed Piston Flush Valves

PRODUCT NO.	DESCRIPTION	FLOW RATE	UPC	LIST PRICE
<b>Metroflush® Exposed Flush Valve for 1-1/2" Top Spud Water Closets</b>				
Z6200-HET-YB-YC	Standard 11 1/2" Rough-in	1.28 gpf	670240457102	298.00
Z6200-1-HET-YB-YC	16" Rough-In	1.28 gpf	670240816343	343.00
Z6200-2-HET-YB-YC	24" Rough-In	1.28 gpf	670240688018	343.00
Z6200-WS1-YB-YC	Standard 11 1/2" Rough-in	1.6 gpf	670240528741	298.00
Z6200-1-WS1-YB-YC	16" Rough-In	1.6 gpf	670240654501	343.00
Z6200-2-WS1-YB-YC	24" Rough-In	1.6 gpf	670240390355	343.00
<b>Metroflush® Plus Exposed Flush Valve for 1-1/2" Top Spud Water Closets</b>				
Z6200PL-HET	Standard 11 1/2" Rough-in	1.28 gpf	670240337053	298.00
Z6200PL-WS1	Standard 11 1/2" Rough-in	1.6 gpf	670240022461	298.00
<b>Metroflush® Exposed Flush Valve for 1-1/2" Back Spud Water Closets</b>				
Z6210-HET-YB-YC	Standard 11 1/2" Rough-in	1.28 gpf	670240846968	315.00
Z6210-WS1-YB-YC	Standard 11 1/2" Rough-in	1.6 gpf	-	315.00
<b>Metroflush® Exposed Flush Valve for 3/4" Top Spud Urinal</b>				
Z6203-EWS-YB-YC	Standard 11 1/2" Rough-in	.5 gpf	670240355668	298.00
Z6203-WS1-YB-YC	Standard 11 1/2" Rough-in	1.0 gpf	670240565005	298.00
<b>Metroflush® Plus Exposed Flush Valve for 3/4" Top Spud Urinal</b>				
Z6203PL-EWS	Standard 11 1/2" Rough-in	.5 gpf	670240690622	298.00
Z6203PL-WS1	Standard 11 1/2" Rough-in	1.0 gpf	670240923751	298.00



Z6000



Z6001



Z6003



Z6200-HET-YB-YC



Z6210-WS1-YB-YC



Z6203-WS1-YB-YC

For additional product information, please visit [www.zurn.com](http://www.zurn.com).

When ordering parts, always list product number and description.

# EXPOSED MANUAL DIAPHRAGM FLUSH VALVES WITH BEDPAN DIVERTER

## AquaVantage® AV Exposed Manual Diaphragm Flush Valves with Bedpan Diverter Valve

PRODUCT NO.	DESCRIPTION	FLOW RATE	UPC	LIST PRICE
<b>AquaVantage® AV Exposed Flush Valve with Bedpan Diverter Valve for 1-1/2" Top Spud Water Closet</b>				
Z6000AV-HET-BWN	26-1/2" Rough-In - for Rough-In Without Grab Bar	1.28 gpf	670240383241	952.00
Z6000AV-HET-BWN1	34-3/8" Rough-In - for Rough-In Without Grab Bar	1.28 gpf	670240705999	952.00
Z6000AV-WS1-BWN	26-1/2" Rough-In - for Rough-In Without Grab Bar	1.6 gpf	670240585843	952.00
Z6000AV-WS1-BWN1	34-3/8" Rough-In - for Rough-In Without Grab Bar	1.6 gpf	670240621282	952.00
<b>AquaVantage® AV Exposed Flush Valve with Bedpan Diverter Valve with Deoseptic Bottle for 1-1/2" Top Spud Water Closet</b>				
Z6000AV-WS1-BWN-D	26-1/2" Rough-In	1.6 gpf	670240366909	1,289.00
Z6000AV-WS1-BWN1-D	34-3/8" Rough-In	1.6 gpf	-	1,289.00
<b>AquaVantage® AV Exposed Retrofit Flush Valve with Bedpan Diverter Valve for 1-1/2" Top Spud Water Closet</b>				
Z6010AV-HET-BWN	26-1/2" Rough-In - for Retrofitting an Existing Flush Valve with a Bedpan Diverter	1.28 gpf	-	1,031.00
Z6010AV-HET-BWN1	34-3/8" Rough-In - for Retrofitting an Existing Flush Valve with a Bedpan Diverter	1.28 gpf	-	1,031.00
Z6010AV-WS1-BWN	26-1/2" Rough-In - for Retrofitting an Existing Flush Valve with a Bedpan Diverter	1.6 gpf	670240626294	1,031.00
Z6010AV-WS1-BWN1	34-3/8" Rough-In - for Retrofitting an Existing Flush Valve with a Bedpan Diverter	1.6 gpf	-	1,031.00
<b>AquaVantage® AV Exposed Retrofit Flush Valve with Bedpan Diverter Valve with Deoseptic Bottle for 1-1/2" Top Spud Water Closet</b>				
Z6010AV-WS1-BWN-D	26-1/2" Rough-In	1.6 gpf	-	1,501.00
Z6010AV-WS1-BWN1-D	34-3/8" Rough-In	1.6 gpf	-	1,501.00
<b>AquaVantage® AV Exposed Flush Valve with Bedpan Diverter Valve for 1-1/2" Top Spud Water Closet - for Handicap Grab Bar Applications</b>				
Z6011AV-HET-BWN	26-1/2" Rough-In - for Handicap Grab Bar Applications	1.28 gpf	670240386495	985.00
Z6011AV-WS1-BWN	26-1/2" Rough-In - for Handicap Grab Bar Applications	1.6 gpf	670240599666	985.00
<b>AquaVantage® AV Exposed Flush Valve with Bedpan Diverter Valve with Deoseptic Bottle for 1-1/2" Top Spud Water Closet - for Handicap Grab Bar Applications</b>				
Z6011AV-WS1-BWND	26-1/2" Rough-In - for Handicap Grab Bar Applications	1.6 gpf	670240386921	1,425.00
<b>AquaVantage® AV Concealed Flush Valve with Bedpan Diverter Valve for 1-1/2" Top Spud Water Closet</b>				
Z6020AV-WS1-BWN		1.6 gpf	-	1,154.00
<b>AquaVantage® AV Concealed Flush Valve with Bedpan Diverter Valve and Deoseptic Bottle for 1-1/2" Top Spud Water Closet</b>				
Z6020AV-WS1-BWN-D		1.6 gpf	-	1,397.00
<b>AquaVantage® AV Exposed Flush Valve with Foot Pedal Operated and Bedpan Diverter for 1-1/2" Top Spud Water Closet</b>				
Z6040AV-WS1-BWN		1.6 gpf	670240621367	1,335.00
<b>AquaVantage® AV Exposed Flush Valve with Foot Pedal Operated, Bedpan Diverter, and Deoseptic Bottle for 1-1/2" Top Spud Water Closet</b>				
Z6040AV-WS1-BWN-D		1.6 gpf	-	1,397.00
<b>AquaVantage® AV Exposed Flush Valve with Hydraulic Actuator and Bedpan Diverter for 1-1/2" Top Spud Water Closet</b>				
ZH6000AV-HET-BWN	26-1/2" Rough-In		-	1,319.00
ZH6000AV-WS1-BWN1	34-3/8" Rough-In	1.6 gpf	-	1,319.00
ZH6011AV-WS1-BWN	for Grab Bar	1.6 gpf	-	1,385.00
<b>AquaVantage® AV Exposed Flush Valve with Hydraulic Actuator, Bedpan Diverter, and Deoseptic Bottle for 1-1/2" Top Spud Water Closet</b>				
ZH6000AV-WS1-BWN1-D	34-3/8" RI	1.6 gpf	-	1,730.00



Z6000AV-BWN



Z6010AV-BWN



Z6011AV-BWN



Z6020AV-BWN



Z6040AV-BWN



ZH6000AV-BWN

## Aquaflush® Plus PL Exposed Manual Diaphragm Flush Valves with Bedpan Diverter Valve

PRODUCT NO.	DESCRIPTION	FLOW RATE	UPC	LIST PRICE
<b>Aquaflush® Plus PL Exposed Flush Valve with Bedpan Diverter Valve</b>				
Z6000PL-HET-BWN	26-1/2" Rough-In	1.28 gpf	670240796768	942.00
Z6000PL-HET-BWN1	34-3/8" Rough-In	1.28 gpf	670240967052	942.00
Z6000PL-WS1-BWN	26-1/2" Rough-In	1.6 gpf	670240641174	942.00
Z6000PL-WS1-BWN1	34-3/8" Rough-In	1.6 gpf	670240646766	942.00

## Aquaflush® Exposed Manual Diaphragm Flush Valves with Bedpan Diverter Valve

PRODUCT NO.	DESCRIPTION	FLOW RATE	UPC	LIST PRICE
<b>Aquaflush® Exposed Flush Valve with Bedpan Washer for 1-1/2" Top Spud Water Closet</b>				
Z6000-WS1-BWN-YB-YC	26-1/2" Rough-In	1.6 gpf	670240600263	923.00
Z6000-WS1-BWN1-YB-YC	34-3/8" Rough-In	1.6 gpf	670240621879	923.00
Z6000-WS1-BWN-HL3-YB-YC	26-1/2" Rough-In with Front Facing 3" Metal Push Button	1.6 gpf	-	923.00
<b>Aquaflush® Exposed Retrofit Flush Valve with Bedpan Washer for 1-1/2" Top Spud Water Closet</b>				
Z6010-WS1-BWN-YB-YC	26-1/2" Rough-In - for Retrofitting an Existing Flush Valve with a Bedpan Diverter	1.6 gpf	-	1,022.00
Z6010-WS1-BWN1-YB-YC	34-3/8" Rough-In - for Retrofitting an Existing Flush Valve with a Bedpan Diverter	1.6 gpf	-	1,022.00
<b>Aquaflush® Exposed Flush Valve with Bedpan Washer for 1-1/2" Top Spud Water Closet - for Handicap Grab Bar Applications</b>				
Z6011-WS1-BWN-YB-YC	26-1/2" Rough-In - for Handicap Grab Bar Applications	1.6 gpf	670240602311	977.00
<b>Aquaflush® Exposed Bedpan Diverter Less Flush Valve</b>				
Z6000-DVN	26-1/2" Rough-In	-	670240597440	700.00
Z6000-DVN1	34-3/8" Rough-In	-	670240597778	700.00
Z6000-DVN-020	26-1/2" Rough-In Diverter with 2" Offset	-	670240608887	843.00
Z6000-DN	Diverter Assembly with Spray Arm. No top or bottom tubes.	-	670240608900	594.00
<b>Aquaflush® Exposed Retrofit Bedpan Diverter Less Flush Valve</b>				
Z6010-DVN	26-1/2" Rough-In - for Retrofitting an Existing Flush Valve with a Bedpan Diverter	-	670240596818	776.00
Z6010-DVN1	34-3/8" Rough-In - for Retrofitting an Existing Flush Valve with a Bedpan Diverter	-	670240659391	776.00
<b>Aquaflush® Exposed Bedpan Diverter Less Flush Valve - for Handicap Grab Bar Applications</b>				
Z6011-DVN	26-1/2" Rough-In - for Handicap Grab Bar Applications	-	670240601819	751.00
<b>Aquaflush® Exposed Bedpan Diverter with Deoseptic Bottle Less Flush Valve</b>				
Z6000-DVN1-D	34-3/8" Rough-In	-	-	1,006.00
Z6010-DVN1-D	34-3/8" Rough-In	-	-	984.00
Z6000-DVN-D	26-1/2" Rough-In	-	670240626256	910.00
Z6000-DVN1-D-020	34-3/8" Rough-In	-	-	984.00
<b>Aquaflush® Exposed Retrofit Bedpan Diverter with Deoseptic Bottle Less Flush Valve</b>				
Z6010-DVN-D	26-1/2" Rough-In	-	-	984.00
<b>Aquaflush® Exposed Bedpan Diverter with Deoseptic Bottle Less Flush Valve - for Handicap Grab Bar Applications</b>				
Z6011-DVN-D	26-1/2" Rough-In - for Handicap Grab Bar Applications	-	670240238121	961.00



Z6000-DVN



Z6010-DVN



Z6011-DVN

## EXPOSED CLINIC AND SERVICE SINK FLUSH VALVES

### Exposed Manual Diaphragm Flush Valves for Clinic and Service Sinks

PRODUCT NO.	DESCRIPTION	FLOW RATE	UPC	LIST PRICE
<b>AquaVantage® AV Exposed Flush Valve for Clinic and Service Sinks</b>				
Z6017AV	Standard 24" Rough In	6.5 gpf	670240545557	<b>305.00</b>
Z6017AV-H	w/ Front Handle	6.5 gpf	670240548558	<b>343.00</b>
Z6017AV-H-O10	w/ Front Handle and 1" Offset	6.5 gpf	670240550742	<b>393.00</b>
Z6017AV-H-O15	w/ Front Handle and 1-1/2" Offset	6.5 gpf	670240548770	<b>393.00</b>
Z6017AV-H-O20	w/ Front Handle and 2" Offset	6.5 gpf	670240549371	<b>393.00</b>
Z6017AV-O10	w/ 1" Offset	6.5 gpf	670240563919	<b>356.00</b>
Z6017AV-O15	w/ 1-1/2" Offset	6.5 gpf	670240573765	<b>356.00</b>
Z6017AV-O20	w/ 2" Offset	6.5 gpf	670240548763	<b>356.00</b>
Z6017AV-HL3	w/ Front 3" Push Button	6.5 gpf	670240553187	<b>403.00</b>
<b>Aquaflush® Plus Exposed Flush Valve for Clinic and Service Sinks</b>				
Z6017PL	Standard 24" Rough In	6.5 gpf	670240564343	<b>298.00</b>
Z6017PL-H	w/ Front Handle	6.5 gpf	670240632288	<b>296.00</b>
Z6017PL-H-O10	w/ Front Handle and 1" Offset	6.5 gpf	670240649378	<b>383.00</b>
Z6017PL-H-O15	w/ Front Handle and 1-1/2" Offset	6.5 gpf	670240664692	<b>360.00</b>
Z6017PL-H-O20	w/ Front Handle and 2" Offset	6.5 gpf	670240177215	<b>360.00</b>
<b>Aquaflush® Exposed Flush Valve for Clinic and Service Sinks</b>				
Z6017-YB-YC	Standard 24" Rough In	6.5 gpf	670240416604	<b>305.00</b>



Z6017AV



## EXPOSED SENSOR FLUSH VALVES

### EcoVantage® ZTR Exposed Sensor Battery Piston Flush Valves

PRODUCT NO.	DESCRIPTION	FLOW RATE	UPC	LIST PRICE
<b>EcoVantage® ZTR Exposed Sensor Flush Valve with 10 Year Long Life Batteries for 1-1/2" Top Spud Water Closet</b>				
ZTR6200-ONE-LL	Standard 11 1/2" Rough-in	1.1 gpf	670240953918	1,322.00
ZTR6200EV-LL	Standard 11 1/2" Rough-in	1.28 gpf	670240816756	1,322.00
ZTR6200-WS1-LL	Standard 11 1/2" Rough-in	1.6 gpf	670240816718	1,322.00
<b>EcoVantage® ZTR Exposed Sensor Flush Valve for 1-1/2" Top Spud Water Closet</b>				
ZTR6200-ONE	Standard 11 1/2" Rough-in	1.1 gpf	-	1,236.00
ZTR6200EV	Standard 11 1/2" Rough-in	1.28 gpf	670240700420	1,236.00
ZTR6200EV-1	16" Rough-In	1.28 gpf	670240808188	1,250.00
ZTR6200-WS1	Standard 11 1/2" Rough-in	1.6 gpf	670240796577	1,236.00
ZTR6200-1-WS1	16" Rough-In	1.6 gpf	-	1,250.00
<b>EcoVantage® ZTR Exposed Sensor Flush Valve with 10 Year Long Life Batteries for 3/4" Top Spud Urinal</b>				
ZTR6203-ULF-LL	Standard 11 1/2" Rough-in	0.125 gpf	670240819900	1,322.00
ZTR6203-QRT-LL	Standard 11 1/2" Rough-in	0.25 gpf	670240946514	1,322.00
ZTR6203-EWS-LL	Standard 11 1/2" Rough-in	0.5 gpf	670240816572	1,322.00
ZTR6203-WS1-LL	Standard 11 1/2" Rough-in	1.0 gpf	670240816565	1,322.00
<b>EcoVantage® ZTR Exposed Sensor Flush Valve for 3/4" Top Spud Urinal</b>				
ZTR6203-ULF	Standard 11 1/2" Rough-in	0.125 gpf	670240848696	1,236.00
ZTR6203-QRT	Standard 11 1/2" Rough-in	0.25 gpf	670240959873	1,236.00
ZTR6203-EWS	Standard 11 1/2" Rough-in	0.5 gpf	670240806931	1,236.00
ZTR6203-WS1	Standard 11 1/2" Rough-in	1.0 gpf	670240800205	1,236.00

### Aquasense® E-Z Flush® AquaVantage® AV Exposed Sensor Battery Diaphragm Flush Valves

Note: Suffix -HMK is High Mount Adaptor Kit for high rough-in.

PRODUCT NO.	DESCRIPTION	FLOW RATE	UPC	LIST PRICE
<b>AquaVantage® AV ZER Exposed Battery Operated Sensor Flush Valve with E-Z Flush® Chrome-Plated Metal Cover for 1-1/2" Top Spud Water Closet</b>				
ZER6000AV-ONE-CPM	Standard 11 1/2" Rough-in	1.1 gpf	-	1,304.00
ZER6000AV-HET-CPM	Standard 11 1/2" Rough-in	1.28 gpf	-	1,304.00
ZER6000AV-1-HET-CPM	16" Rough-In	1.28 gpf	-	1,319.00
ZER6000AV-2-HET-CPM w/HMK	24" Rough-In	1.28 gpf	-	1,347.00
ZER6000AV-3-HET-CPM w/HMK	27" Rough-In	1.28 gpf	-	1,377.00
ZER6000AV-WS1-CPM	Standard 11 1/2" Rough-in	1.6 gpf	-	1,304.00
ZER6000AV-1-WS1-CPM	16" Rough-In	1.6 gpf	-	1,319.00
ZER6000AV-2-WS1-CPM w/HMK	24" Rough-In	1.6 gpf	-	1,347.00
ZER6000AV-3-WS1-CPM w/HMK	27" Rough-In	1.6 gpf	-	1,377.00
ZER6000AV-WS1-BWN-CPM w/HMK	Standard 26 1/2" Rough in	1.6 gpf	-	1,613.00



ZTR6200EV



ZTR6203-WS1



ZER6000AV

## Aquasense® E-Z Flush® AquaVantage® AV Exposed Sensor Battery Diaphragm Flush Valves

Note: Suffix -HMK is High Mount Adaptor Kit for high rough-in.

PRODUCT NO.	DESCRIPTION	FLOW RATE	UPC	LIST PRICE
<b>AquaVantage® AV ZER Exposed Battery Operated Sensor Flush Valve Less Stop and Flush Connection with E-Z Flush® Chrome-Plated Metal Cover</b>				
ZER6000AV-HET-CPM-X		1.28 gpf	670240778252	1,191.00
ZER6000AV-WS1-CPM-X		1.6 gpf	670240542181	1,191.00
<b>AquaVantage® AV ZER Exposed Battery Operated Sensor Flush Valve with E-Z Flush® Chrome-Plated High Impact-Resistant Polycarbonate Cover for 1-1/2" Top Spud Water Closet</b>				
ZER6000AV-HET-CP	Standard 11 1/2" Rough-in	1.28 gpf	-	1,272.00
ZER6000AV-1-HET-CP	16" Rough-In	1.28 gpf	-	1,285.00
ZER6000AV-2-HET-CP w/HMK	24" Rough-In	1.28 gpf	-	1,314.00
ZER6000AV-3-HET-CP w/HMK	27" Rough-In	1.28 gpf	-	1,344.00
ZER6000AV-WS1-CP	Standard 11 1/2" Rough-in	1.6 gpf	-	1,272.00
ZER6000AV-1-WS1-CP	16" Rough-In	1.6 gpf	-	1,285.00
ZER6000AV-2-WS1-CP w/HMK	24" Rough-In	1.6 gpf	-	1,314.00
ZER6000AV-3-WS1-CP w/HMK	27" Rough-In	1.6 gpf	-	1,344.00
ZER6000AV-WS1-BWN-CP w/HMK	Standard 26 1/2" Rough in	1.6 gpf	-	1,579.00
<b>AquaVantage® AV ZER Exposed Battery Operated Sensor Flush Valve Less Stop and Flush Connection with E-Z Flush® Chrome-Plated High Impact-Resistant Polycarbonate Cover</b>				
ZER6000AV-HET-CP-X		1.28 gpf	-	1,166.00
ZER6000AV-WS1-CP-X		1.6 gpf	670240549296	1,166.00
<b>AquaVantage® AV ZER Exposed Battery Operated Sensor Flush Valve with E-Z Flush® Chrome-Plated Metal Cover for 1-1/4" Top Spud Urinal</b>				
ZER6001AV-WS1-CPM	Standard 11 1/2" Rough-in	1.6 gpf	-	1,304.00
<b>AquaVantage® AV ZER Exposed Battery Operated Sensor Flush Valve with E-Z Flush® Chrome-Plated Metal Cover for 3/4" Top Spud Urinal</b>				
ZER6003AV-ULF-CPM	Standard 11 1/2" Rough-in	0.125 gpf	-	1,304.00
ZER6003AV-EWS-CPM	Standard 11 1/2" Rough-in	0.5 gpf	-	1,304.00
ZER6001AV-WS1-CPM	Standard 11 1/2" Rough-in	1.6 gpf	-	1,304.00
ZER6003AV-WS1-CPM	Standard 11 1/2" Rough-in	1.6 gpf	-	1,304.00
<b>AquaVantage® AV ZER Exposed Battery Operated Sensor Flush Valve Less Stop and Flush Connection with E-Z Flush® Chrome-Plated Metal Cover</b>				
ZER6001AV-WS1-CPM-X		1.0 gpf	-	1,191.00
<b>AquaVantage® AV ZER Exposed Battery Operated Sensor Flush Valve Less Stop and Flush Connection with E-Z Flush® Chrome-Plated Metal Cover</b>				
ZER6003AV-ULF-CPM-X		0.125 gpf	670240388185	1,191.00
ZER6003AV-EWS-CPM-X		0.5 gpf	670240388178	1,191.00
ZER6003AV-WS1-CPM-X		1.0 gpf	670240532922	1,191.00
<b>AquaVantage® AV ZER Exposed Battery Operated Sensor Flush Valve with E-Z Flush® Chrome-Plated High Impact-Resistant Polycarbonate Cover for 1-1/4" Top Spud Urinal</b>				
ZER6001AV-WS1-CP	Standard 11 1/2" Rough-in	1.0 gpf	-	1,272.00
<b>AquaVantage® AV ZER Exposed Battery Operated Sensor Flush Valve with E-Z Flush® Chrome-Plated High Impact-Resistant Polycarbonate Cover for 3/4" Top Spud Urinal</b>				
ZER6003AV-ULF-CP	Standard 11 1/2" Rough-in	0.125 gpf	-	1,272.00
ZER6003AV-EWS-CP	Standard 11 1/2" Rough-in	0.5 gpf	-	1,272.00
ZER6003AV-WS1-CP	Standard 11 1/2" Rough-in	1.0 gpf	-	1,272.00
<b>AquaVantage® AV ZER Exposed Battery Operated Sensor Flush Valve Less Stop and Flush Connection with E-Z Flush® Chrome-Plated High Impact-Resistant Polycarbonate Cover</b>				
ZER6003AV-ULF-CP-X		0.125 gpf	-	1,166.00
ZER6003AV-EWS-CP-X		0.5 gpf	-	1,166.00
ZER6003AV-WS1-CP-X		1.0 gpf	670240549289	1,166.00
OPTIONS	DESCRIPTION			ADD
P6000-J10	Tailpiece Adapter for Ground Joint Stop Connection		670240413542	57.00
-CCP	Complete Chrome-Plated Plastic		-	26.00

## Aquasense® E-Z Flush® Aquaflush® Plus PL Exposed Sensor Battery Diaphragm Flush Valves

PRODUCT NO.	DESCRIPTION	FLOW RATE	UPC	LIST PRICE
<b>Aquaflush® Plus PL ZER Exposed Battery Operated Sensor with E-Z Flush® Chrome-Plated Metal Cover for 1-1/2" Top Spud Water Closet</b>				
ZER6000PL-HET-CPM	Standard 11 1/2" Rough-in	1.28 gpf	670240385405	1,239.00
ZER6000PL-WS1-CPM	Standard 11 1/2" Rough-in	1.6 gpf	670240659322	1,239.00
<b>Aquaflush® Plus PL ZER Exposed Battery Operated Sensor with E-Z Flush® Chrome-Plated High-Impact Polycarbonate Cover for 1-1/2" Top Spud Water Closet</b>				
ZER6000PL-HET-CP	Standard 11 1/2" Rough-in	1.28 gpf	670240462366	1,154.00
ZER6000PL-WS1-CP	Standard 11 1/2" Rough-in	1.6 gpf	670240393073	1,154.00
<b>Aquaflush® ZER Exposed Battery Operated Sensor with E-Z Flush® Chrome-Plated Metal Cover for 1-1/2" Top Spud Water Closet</b>				
ZER6000-WS1-CPM-YB-YC	Standard 11 1/2" Rough-in	1.6 gpf	-	1,239.00
<b>Aquaflush® ZER Exposed Battery Operated Sensor with E-Z Flush® Chrome-Plated High-Impact Polycarbonate Cover for 1-1/2" Top Spud Water Closet</b>				
ZER6000-WS1-CP-YB-YC	Standard 11 1/2" Rough-in	1.6 gpf	670240394377	1,239.00
<b>Aquaflush® Plus PL ZER Exposed Battery Operated Sensor with E-Z Flush® Chrome-Plated Metal Cover for 3/4" Top Spud Urinal</b>				
ZER6003PL-WS1-CPM	Standard 11 1/2" Rough-in	0.125 gpf	670240658585	1,239.00
ZER6003PL-EWS-CPM	Standard 11 1/2" Rough-in	0.5 gpf	670240245259	1,239.00
ZER6003PL-ULF-CPM	Standard 11 1/2" Rough-in	1.0 gpf	670240460829	1,239.00
<b>Aquaflush® Plus PL ZER Exposed Battery Operated Sensor with E-Z Flush® Chrome-Plated High-Impact Polycarbonate Cover for 1-1/4" Top Spud Urinal</b>				
ZER6001PL-WS1-CP	Standard 11 1/2" Rough-in	1.0 gpf	670240262218	1,154.00
<b>Aquaflush® Plus PL ZER Exposed Battery Operated Sensor with E-Z Flush® Chrome-Plated High-Impact Polycarbonate Cover for 3/4" Top Spud Urinal</b>				
ZER6003PL-ULF-CP	Standard 11 1/2" Rough-in	0.125 gpf	670240480018	1,154.00
ZER6003PL-EWS-CP	Standard 11 1/2" Rough-in	0.5 gpf	670240380684	1,154.00
ZER6003PL-WS1-CP	Standard 11 1/2" Rough-in	1.0 gpf	670240393080	1,154.00

## Aquasense® E-Z Flush® Aquaflush® Exposed Sensor Battery Diaphragm Flush Valves

PRODUCT NO.	DESCRIPTION	FLOW RATE	UPC	LIST PRICE
<b>Aquaflush® ZER Exposed Battery Operated Sensor with E-Z Flush® Chrome-Plated Metal Cover for 3/4" Top Spud Urinal</b>				
ZER6003-EWS-CPM-YB-YC	Standard 11 1/2" Rough-in	0.5 gpf	-	1,239.00
ZER6003-WS1-CPM-YB-YC	Standard 11 1/2" Rough-in	1.0 gpf	-	1,239.00
<b>Aquaflush® ZER Exposed Battery Operated Sensor with E-Z Flush® Chrome-Plated High-Impact Polycarbonate Cover for 1-1/4" Top Spud Urinal</b>				
ZER6001-WS1-CP-YB-YC	Standard 11 1/2" Rough-in	1.0 gpf	670240173330	1,179.00
<b>Standard 11 1/2" Rough-in</b>				
ZER6003-EWS-CP-YB-YC	Standard 11 1/2" Rough-in	0.5 gpf	-	1,179.00
ZER6003-WS1-CP-YB-YC	Standard 11 1/2" Rough-in	1.0 gpf	670240394407	1,179.00



ZER600\_PL-HET-CPM



ZER6000



ZER600\_

## Metroflush® Aquasense® E-Z Flush® ZER Exposed Sensor Battery Piston Flush Valves

PRODUCT NO.	DESCRIPTION	FLOW RATE	UPC	LIST PRICE
<b>Metroflush® ZER Exposed Battery Operated Sensor with E-Z Flush® Chrome-Plated Metal Cover for 1-1/2" Top Spud Water Closet</b>				
ZER6200-HET-CPM-YB-YC	Standard 1 1/2" Rough-in	1.28 gpf	-	1,187.00
ZER6200-WSI-CPM-YB-YC	Standard 1 1/2" Rough-in	1.6 gpf	-	1,187.00
<b>Metroflush® ZER Exposed Battery Operated Sensor with E-Z Flush® Chrome-Plated High-Impact Polycarbonate Cover for 1-1/2" Top Spud Closet</b>				
ZER6200-HET-CP-YB-YC	Standard 1 1/2" Rough-in	1.28 gpf	670240846135	1,162.00
ZER6200-WSI-CP-YB-YC	Standard 1 1/2" Rough-in	1.6 gpf	670240258747	1,162.00
<b>Metroflush® ZER Exposed Battery Operated Sensor with E-Z Flush® Chrome-Plated Metal Cover for 3/4" Top Spud Urinal</b>				
ZER6203-EWS-CPM-YB-YC	Standard 1 1/2" Rough-in	0.5 gpf	-	1,187.00
ZER6203-WSI-CPM-YB-YC	Standard 1 1/2" Rough-in	1.0 gpf	-	1,187.00
<b>Metroflush® ZER Exposed Battery Operated Sensor with E-Z Flush® Chrome-Plated High-Impact Polycarbonate Cover for 3/4" Top Spud Urinal</b>				
ZER6203-EWS-CP-YB-YC	Standard 1 1/2" Rough-in	0.5 gpf	-	1,162.00
ZER6203-WSI-CP-YB-YC	Standard 1 1/2" Rough-in	1.0 gpf	670240264823	1,162.00
OPTIONS	DESCRIPTION			ADD
-CCP	Complete Chrome-Plated Plastic			26.00

## Aquasense® E-Z Flush® Retrofit Kits

PRODUCT NO.	DESCRIPTION	FLOW RATE	UPC	LIST PRICE
<b>E-Z Flush® Retrofit Kit with Chrome-Plated Metal Cover</b>				
ZERK-CPM	Motorized Actuation for Zurn and Sloan Flush Valve	-	670240569898	974.00
ZERK-CPM-LY	Motorized Actuation for Zurn and Sloan Flush Valve	-	670240578425	1,004.00
<b>E-Z Flush® Retrofit Kit with Chrome-Plated Metal Cover Complete Chrome-Plated Plastic Cover Mortorized Actuation for Zurn and Sloan Flush Valves</b>				
ZERK-CCP	Motorized Actuation for Zurn and Sloan Flush Valve	-	670240711037	958.00
<b>E-Z Flush® Retrofit Kit with Chrome-Plated Metal Cover Complete Chrome-Plated High-Impact Polycarbonate Cover</b>				
ZERK-CP	Motorized Actuation for Zurn and Sloan Flush Valve	-	670240569881	949.00
<b>E-Z Flush® -HMK High Mount Adapter</b>				
ZERK-HMK	Adapter kit allows for the downward angle of the E-Z Flush® Kit in high rough-in installations.	-	670240458284	92.00
OPTIONS	DESCRIPTION			ADD
-CCP	Complete Chrome-Plated Plastic			26.00



ZER6200-HET-CPM-YB-YC



ZERK-CPM

## AquaVantage® AV ZR RetroFlush® Sensor Battery Flush Valve

PRODUCT NO.	DESCRIPTION	FLOW RATE	UPC	LIST PRICE
<b>AquaVantage® AV ZR RetroFlush® Sensor Battery Flush Valve for 1-1/2" Top Spud Water Closet</b>				
ZR6000AV-WS1	Standard 11 1/2" Rough-in	1.6 gpf	670240528796	<b>1,429.00</b>
<b>AquaVantage® AV ZR RetroFlush® Sensor Battery Flush Valve with Bedpan Washer Assembly for 1-1/2" Top Spud Water Closet</b>				
ZR6000AV-WS1-BWN	26-1/2" Rough-In	1.6 gpf	-	<b>1,571.00</b>
<b>AquaVantage® AV ZR RetroFlush® Sensor Battery Flush Valve with Dual Flush for 1-1/2" Top Spud Water Closet</b>				
Featuring sensor technology that provides timed activation for reduced flush and full flush dependent upon the length of time the user is in view.				
ZR6000AV-WS1-DF	Standard 11 1/2" Rough-in	1.1/1.6 gpf	670240364370	<b>1,498.00</b>
ZR6000AV-2-WS1-DF	24" Rough-In	1.1/1.6 gpf	670240388642	<b>1,543.00</b>
ZR6000AV-WS1-DF-HW	Hardwired Dual Operated Flush Diaphragm Complete Valve	1.1/1.6 gpf	670240706040	<b>1,574.00</b>
<b>AquaVantage® AV ZR RetroFlush® Sensor Battery Flush Valve for 1-1/4" Top Spud Urinal</b>				
ZR6001AV-WS1	Standard 11 1/2" Rough-in	1.0 gpf	670240530843	<b>1,429.00</b>
<b>AquaVantage® AV ZR RetroFlush® Sensor Battery Flush Valve for 3/4" Top Spud Urinal</b>				
ZR6003AV-WS1	Standard 11 1/2" Rough-in	1.0 gpf	670240528802	<b>1,429.00</b>

## AquaVantage® AV ZR RetroFlush® Flush Valve Body Less Stop and Flush Connection

PRODUCT NO.	DESCRIPTION	FLOW RATE	UPC	LIST PRICE
<b>AquaVantage® AV ZR RetroFlush® Flush Valve Body Less Stop and Flush Connection for Exposed 1-1/2" Top Spud Water Closet</b>				
ZR6000AV-WS1-X		1.6 gpf	670240529427	<b>1,318.00</b>
<b>AquaVantage® AV ZR RetroFlush® Flush Valve Body Less Stop and Flush Connection for Exposed 1-1/4" Top Spud Urinals</b>				
ZR6001AV-WS1-X		1.0 gpf	670240530386	<b>1,318.00</b>
<b>AquaVantage® AV ZR RetroFlush® Flush Valve Body Less Stop and Flush Connection for Exposed 3/4" Top Spud Urinals</b>				
ZR6003AV-WS1-X		1.0 gpf	670240531345	<b>1,318.00</b>

## ZR RetroFlush® - Retrofit Kit Only

PRODUCT NO.	DESCRIPTION	FLOW RATE	UPC	LIST PRICE
<b>ZR RetroFlush® with Chrome-Plated Metal Cover for 1.6 Water Closets - Retrofit Kit Only</b>				
ZRK-C-1.6	Battery Operated Actuator Retrofits Diaphragm Flush Valve for Zurn and Sloan 1.6 Flush Valve	1.6 gpf	670240411869	<b>1,119.00</b>
<b>ZR RetroFlush® with Chrome-Plated Metal Cover for 1.0 Urinals - Retrofit Kit Only</b>				
ZRK-U-1.0	Battery Operated Actuator Retrofits Diaphragm Flush Valve for Zurn and Sloan 1.0 Urinals	1.0 gpf	670240577558	<b>1,119.00</b>
<b>ZR RetroFlush® with Dual Flush - Retrofit Kit Only</b>				
ZRK-C-1.6-DF	Battery Operated Dual Flush Diaphragm Valve Retrofits to Zurn and Sloan 1.6 Flush Valve	1.1/1.6 gpf	670240375659	<b>1,217.00</b>

## Options for Sensor flush Valve

PRODUCT NO.	DESCRIPTION	UPC	LIST PRICE
P6000-HW6	Hardwire 6 VDC Power Converter (Powers 8 ZEMS Valve)	670240533608	<b>144.00</b>
P6900-ACA-BA	Plug-in VDC Power Converter (Powers 8 ZEMS Valve)	670240443105	<b>81.00</b>
P6000-MJ	Zurn Mini Junction Box with Terminal Strips	670240419803	<b>242.00</b>
-MOB	Manual override button Exposed	-	<b>74.00</b>
-HYMOB	Hydraulic Manual override button for concealed valves	-	<b>57.00</b>



ZR6000AV



ZR6000AV-WS1-DF



ZR600\_AV-WS1-X



ZRK-C-1.6

For additional product information, please visit [www.zurn.com](http://www.zurn.com).

When ordering parts, always list product number and description.

## EXPOSED SENSOR HARDWIRED FLUSH VALVES

### EcoVantage® ZTR Exposed Hardwired Sensor Piston Flush Valves

PRODUCT NO.	DESCRIPTION	FLOW RATE	UPC	LIST PRICE
<b>EcoVantage® ZTR Exposed Hardwired Sensor Piston Flush Valve for 1-1/2" Top Spud Water Closet</b>				
ZTR6200-ONE-HW	Standard 11 1/2" Rough-in	1.1 gpf	889934002072	1,322.00
ZTR6200EV-HW	Standard 11 1/2" Rough-in	1.28 gpf	670240968059	1,322.00
ZTR6200-WS1-HW	Standard 11 1/2" Rough-in	1.6 gpf	889934001761	1,236.00
<b>EcoVantage® ZTR Exposed Hardwired Sensor Piston Flush Valve for 3/4" Top Spud Urinal</b>				
ZTR6203-ULF-HW	Standard 11 1/2" Rough-in	0.125 gpf	670240967793	1,322.00
ZTR6203-QRT-HW	Standard 11 1/2" Rough-in	0.25 gpf	670240008854	1,322.00
ZTR6203-EWS-HW	Standard 11 1/2" Rough-in	0.5 gpf	670240968080	1,322.00
ZTR6203-WS1-HW	Standard 11 1/2" Rough-in	1.0 gpf	670240968073	1,322.00

### AquaVantage® AV ZEMS Exposed Hardwired Sensor Diaphragm Flush Valves

PRODUCT NO.	DESCRIPTION	FLOW RATE	UPC	LIST PRICE
<b>AquaVantage® AV ZEMS Exposed Hardwired Sensor Diaphragm Flush Valve for 1-1/2" Top Spud Water Closet</b>				
ZEMS6000AV-ONE-IS	Standard 11 1/2" Rough-in	1.1 gpf	-	1,152.00
ZEMS6000AV-HET-IS	Standard 11 1/2" Rough-in	1.28 gpf	670240364615	1,152.00
ZEMS6000AV-WS1-IS	Standard 11 1/2" Rough-in	1.6 gpf	670240600799	1,152.00
<b>AquaVantage® AV ZEMS Exposed Hardwired In Wall Sensor Diaphragm Flush Valve for 1-1/2" Top Spud Water Closet</b>				
ZEMS6000AV-HET	Standard 11 1/2" Rough-in	1.28 gpf	670240375598	1,152.00
ZEMS6000AV-WS1	Standard 11 1/2" Rough-in	1.6 gpf	670240528819	1,152.00
<b>AquaVantage® AV ZEMS Exposed Hardwired Integral Sensor Diaphragm Flush Valve for 1-1/4" Top Spud Urinal</b>				
ZEMS6001AV-WS1-IS	Standard 11 1/2" Rough-in	1.0 gpf	670240601680	1,152.00
<b>AquaVantage® AV ZEMS Exposed Hardwired Integral Sensor Diaphragm Flush Valve for 3/4" Top Spud Urinal</b>				
ZEMS6003AV-ULF-IS	Standard 11 1/2" Rough-in	.125 gpf	670240383142	1,152.00
ZEMS6003AV-EWS-IS	Standard 11 1/2" Rough-in	.5 gpf	670240471597	1,152.00
ZEMS6003AV-WS1-IS	Standard 11 1/2" Rough-in	1.0 gpf	670240600836	1,152.00
<b>AquaVantage® AV ZEMS Exposed Hardwired In Wall Sensor Diaphragm Flush Valve for 3/4" Top Spud Urinal</b>				
ZEMS6003AV-ULF	Standard 11 1/2" Rough-in	.125 gpf	670240385245	1,152.00
ZEMS6003AV-EWS	Standard 11 1/2" Rough-in	.5 gpf	670240634244	1,152.00
ZEMS6003AV-WS1	Standard 11 1/2" Rough-in	1.0 gpf	670240528789	1,152.00



ZTR6200EV



ZTR6203-WS1



ZEMS6000AV-IS



ZEMS6003AV

## Aquaflush® Plus PL ZEMS Exposed Hardwired Sensor Diaphragm Flush Valves

PRODUCT NO.	DESCRIPTION	FLOW RATE	UPC	LIST PRICE
<b>Aquaflush® Plus PL ZEMS Exposed Hardwired Integral Sensor Diaphragm Flush Valve for 1-1/2" Top Spud Water Closet</b>				
ZEMS6000PL-HET-IS	Standard 11 1/2" Rough-in	1.28 gpf	670240389267	<b>1,049.00</b>
ZEMS6000PL-WS1-IS	Standard 11 1/2" Rough-in	1.6 gpf	670240665590	<b>1,049.00</b>
<b>Aquaflush® Plus PL ZEMS Exposed Hardwired Integral Sensor Diaphragm Flush Valve for 1-1/4" Top Spud Urinal</b>				
ZEMS6001PL-WS1-IS	Standard 11 1/2" Rough-in	1.0 gpf	670240394599	<b>1,049.00</b>
<b>Aquaflush® Plus PL ZEMS Exposed Hardwired Integral Sensor Diaphragm Flush Valve for 3/4" Top Spud Urinal</b>				
ZEMS6003PL-EWS-IS	Standard 11 1/2" Rough-in	.5 gpf	670240377691	<b>1,049.00</b>
ZEMS6003PL-WS1-IS	Standard 11 1/2" Rough-in	1.0 gpf	670240665583	<b>1,049.00</b>
ZEMS6003PL-ULF-IS	Standard 11 1/2" Rough-in	.125 gpf	670240445987	<b>1,049.00</b>
<b>Aquaflush® Plus PL ZEMS Exposed Hardwired In Wall Sensor Diaphragm Flush Valve for 1-1/2" Top Spud Water Closet</b>				
ZEMS6000PL-HET	Standard 11 1/2" Rough-in	1.28 gpf	670240386174	<b>1,049.00</b>
ZEMS6000PL-WS1	Standard 11 1/2" Rough-in	1.6 gpf	670240642737	<b>1,049.00</b>
<b>Aquaflush® Plus PL ZEMS Exposed Hardwired In Wall Sensor Diaphragm Flush Valve for 3/4" Top Spud Urinal</b>				
ZEMS6003PL-EWS	Standard 11 1/2" Rough-in	0.5 gpf	670240406575	<b>1,049.00</b>
ZEMS6003PL-WS1	Standard 11 1/2" Rough-in	1.0 gpf	670240395237	<b>1,049.00</b>
ZEMS6003PL-ULF	Standard 11 1/2" Rough-in	0.125 gpf	670240687134	<b>1,049.00</b>

## Aquaflush® ZEMS Exposed Hardwired Sensor Diaphragm Flush Valves

PRODUCT NO.	DESCRIPTION	FLOW RATE	UPC	LIST PRICE
<b>Aquaflush® ZEMS Exposed Hardwired Integral Sensor Diaphragm Flush Valve for 1-1/2" Top Spud Water Closet</b>				
ZEMS6000-WS1-IS-YB-YC	Standard 11 1/2" Rough-in	1.6 gpf	670240630291	<b>1,152.00</b>
<b>Aquaflush® ZEMS Exposed Hardwired Integral Sensor Diaphragm Flush Valve for 1-1/4" Top Spud Urinal</b>				
ZEMS6001-WS1-IS-YB-YC	Standard 11 1/2" Rough-in	1.0 gpf	670240791343	<b>1,152.00</b>
<b>Aquaflush® ZEMS Exposed Hardwired Integral Sensor Diaphragm Flush Valve for 3/4" Top Spud Urinal</b>				
ZEMS6003-EWS-IS-YB-YC	Standard 11 1/2" Rough-in	0.5 gpf	670240490857	<b>1,152.00</b>
ZEMS6003-WS1-IS-YB-YC	Standard 11 1/2" Rough-in	1.0 gpf	670240630307	<b>1,152.00</b>
<b>Aquaflush® ZEMS Exposed Hardwired In Wall Sensor Diaphragm Flush Valve for 1-1/2" Top Spud Water Closet</b>				
ZEMS6000-WS1-YB-YC	Standard 11 1/2" Rough-in	1.6 gpf	670240400412	<b>1,152.00</b>
<b>Aquaflush® ZEMS Exposed Hardwired In Wall Sensor Diaphragm Flush Valve for 1-1/4" Top Spud Urinal</b>				
ZEMS6001-WS1-YB-YC	Standard 11 1/2" Rough-in	1.0 gpf	670240251182	<b>1,152.00</b>
<b>Aquaflush® ZEMS Exposed Hardwired In Wall Sensor Diaphragm Flush Valve for 3/4" Top Spud Urinal</b>				
ZEMS6003-WS1-YB-YC	Standard 11 1/2" Rough-in	1.0 gpf	670240400429	<b>1,152.00</b>
ZEMS6003-EWS-YB-YC	Standard 11 1/2" Rough-in	0.5 gpf	670240344310	<b>1,152.00</b>



ZEMS6000PL-HET-IS



ZEMS6000PL-WS1



ZEMS6000-WS1-IS-YB-YC



ZEMS6000-WS1-YB-YC

## Metroflush® ZEMS Exposed Hardwired Sensor Piston Flush Valves

PRODUCT NO.	DESCRIPTION	FLOW RATE	UPC	LIST PRICE
<b>Metroflush® ZEMS Exposed Hardwired Integral Sensor Piston Flush Valve for 1-1/2" Top Spud Water Closet</b>				
ZEMS6200-HET-IS-YB-YC	Standard 11 1/2" Rough-in	1.28 gpf	670240485853	<b>1,224.00</b>
ZEMS6200-WS1-IS-YB-YC	Standard 11 1/2" Rough-in	1.6 gpf	670240495760	<b>1,224.00</b>
<b>Metroflush® ZEMS Exposed Hardwired Integral Sensor Piston Flush Valve for 3/4" Top Spud Urinal</b>				
ZEMS6203-WS1-IS-YB-YC	Standard 11 1/2" Rough-in	1.0 gpf	670240491397	<b>1,224.00</b>
ZEMS6203-EWS-IS-YB-YC	Standard 11 1/2" Rough-in	0.5 gpf	670240696983	<b>1,224.00</b>
<b>Metroflush® ZEMS Exposed Hardwired In Wall Sensor Piston Flush Valve for 1-1/2" Top Spud Water Closet</b>				
ZEMS6200-HET-YB-YC	Standard 11 1/2" Rough-in	1.28 gpf	670240692800	<b>1,224.00</b>
ZEMS6200-WS1-YB-YC	Standard 11 1/2" Rough-in	1.6 gpf	670240687271	<b>1,224.00</b>
<b>Metroflush® ZEMS Exposed Hardwired In Wall Sensor Piston Flush Valve for 3/4" Top Spud Urinal</b>				
ZEMS6203-WS1-YB-YC	Standard 11 1/2" Rough-in	1.0 gpf	670240700482	<b>1,224.00</b>
ZEMS6203-EWS-YB-YC	Standard 11 1/2" Rough-in	0.5 gpf	670240861459	<b>1,224.00</b>

## Hardwired Sensor Flush Valves Options

OPTIONS	DESCRIPTION	ADD
P6000-HW6	Hardwire VDC Power Converter (Powers 8 ZEMS Valve, Order appropriate quantity.)	670240533608 <b>144.00</b>
P6900-ACA-BA	Plug-in VDC Power Converter (Powers 8 ZEMS Valve)	670240443105 <b>81.00</b>
P6000-MJ	Zurn Mini Junction Box with Terminal Strips	670240419803 <b>242.00</b>
-MOB	Manual override button	- <b>74.00</b>



ZEMS6200-WS1-IS-YB-YC



ZEMS6200-WS1-YB-YC



# CONCEALED FLUSH VALVES

## Ordering Instructions for Concealed and Prison Flush Valve

When ordering concealed flush valve, 'L' Dim. must be specified.

- 'L' Dim. equals 2-3/4" plus thickness of wall. Note: for combination lavatory/closet fixtures, add one more inch to wall thickness.
- Penal flush Valve are furnished with -L small vandal-resistant push button as standard.
- For hydraulic application, specify prefix ZH and refer to the Hydraulic section of this price sheet.
- If flush valve are to be used with access panels, order must be noted using Suffix AP after model number. See Z6199 Access Panels for size and price.
- For concealed flush valve, specify -J (handle), -L (small push button), -L3 (3" large push button).
- For 'L' Dim. longer than 12-3/4", add \$7.80 per inch."

## AquaVantage® AV ZEMS Concealed Hardwired In Wall Sensor Diaphragm Flush Valves

PRODUCT NO.	DESCRIPTION	FLOW RATE	UPC	LIST PRICE
<b>AquaVantage® AV ZEMS Concealed Hardwired In Wall Sensor Diaphragm Flush Valve for Exposed 1-1/2" Back Spud Water Closet</b>				
ZEMS6140AV-HET	14 1/2" Rough in for Exposed Back Spud Connection	1.28 gpf	-	1,161.00
ZEMS6140AV-WS1	14 1/2" Rough in for Exposed Back Spud Connection	1.6 gpf	-	1,161.00
<b>AquaVantage® AV ZEMS Concealed Hardwired In Wall Sensor Diaphragm Flush Valve for 1-1/2" Back Spud Water Closet</b>				
ZEMS6152AV-ONE	14 1/2" Rough In for Back Spud Connection	1.1 gpf	-	1,161.00
ZEMS6152AV-HET	14 1/2" Rough In for Back Spud Connection	1.28 gpf	-	1,161.00
ZEMS6152AV-WS1	14 1/2" Rough In for Back Spud Connection	1.6 gpf	-	1,161.00
<b>AquaVantage® AV ZEMS Concealed Hardwired In Wall Sensor Diaphragm Flush Valve for 1-1/2" Top Spud Water Closet</b>				
ZEMS6153AV-HET	14" Rough in for Exposed Top Spud Connection	1.28 gpf	-	1,285.00
ZEMS6153AV-WS1	14" Rough in for Exposed Top Spud Connection	1.6 gpf	-	1,285.00
<b>AquaVantage® AV ZER Concealed Hardwired In Wall Sensor Diaphragm Flush Valve for 1-1/4" Back Spud Urinal</b>				
ZEMS6190AV-WS1	14 1/2" Rough in for Back Spud Connection	1.0 gpf	-	1,152.00
<b>AquaVantage® AV ZEMS Concealed Hardwired In Wall Sensor Diaphragm Flush Valve for 3/4" Back Spud Urinal</b>				
ZEMS6195AV-ULF	13 1/2" Rough in for Back Spud Connection	0.125 gpf	-	1,152.00
ZEMS6195AV-EWS	13 1/2" Rough in for Back Spud Connection	0.5 gpf	-	1,152.00
ZEMS6195AV-WS1	13 1/2" Rough in for Back Spud Connection	1.0 gpf	-	1,152.00
<b>AquaVantage® AV ZEMS Concealed Hardwired In Wall Sensor Diaphragm Flush Valve for 3/4" Top Spud Urinal</b>				
ZEMS6197AV-ULF	18 1/2" Rough in for Exposed Top Spud Connection	0.125 gpf	670240337329	1,313.00
ZEMS6197AV-EWS	18 1/2" Rough in for Exposed Top Spud Connection	0.5 gpf	670240471122	1,313.00
ZEMS6197AV-WS1	18 1/2" Rough in for Exposed Top Spud Connection	1.0 gpf	670240629745	1,313.00



ZEMS6140AV



ZEMS6190AV

## AquaVantage® AV ZER Concealed Battery In Wall Sensor Diaphragm Flush Valves

PRODUCT NO.	DESCRIPTION	FLOW RATE	UPC	LIST PRICE
<b>AquaVantage® AV ZER Concealed Battery In Wall Sensor Diaphragm Flush Valve for Exposed 1-1/2" Back Spud Water Closet</b>				
ZER6140AV-HET	14 1/2" Rough In for Exposed Back Spud Connection	1.28 gpf	-	1,334.00
<b>AquaVantage® AV ZER Concealed Battery In Wall Sensor Diaphragm Flush Valve for 1-1/2" Back Spud Water Closet</b>				
ZER6152AV-ONE	14 1/2" Rough In for Back Spud Connection	1.1 gpf	-	1,334.00
ZER6152AV-HET	14 1/2" Rough In for Back Spud Connection	1.28 gpf	-	1,334.00
ZER6152AV-WS1	14 1/2" Rough In for Back Spud Connection	1.6 gpf	-	1,334.00
<b>AquaVantage® AV ZER Concealed Battery In Wall Sensor Diaphragm Flush Valve for 1-1/2" Top Spud Water Closet</b>				
ZER6153AV-WS1	14" Rough In for Exposed Top Spud Connection	1.6 gpf	-	1,334.00
<b>AquaVantage® AV ZER Concealed Battery In Wall Sensor Diaphragm Flush Valve for 1-1/4" Back Spud Urinal</b>				
ZER6190AV-WS1	13" Rough in for Back Spud Connection	1.0 gpf	-	1,266.00
<b>AquaVantage® AV ZER Concealed Battery In Wall Sensor Diaphragm Flush Valve for 3/4" Back Spud Urinal</b>				
ZER6195AV-ULF	13" Rough in for Back Spud Connection	0.125 gpf	-	1,334.00
ZER6195AV-EWS	13" Rough in for Back Spud Connection	0.5 gpf	-	1,334.00
ZER6195AV-WS1	13" Rough in for Back Spud Connection	1.0 gpf	-	1,334.00
<b>AquaVantage® AV ZER Concealed Battery In Wall Sensor Diaphragm Flush Valve for 3/4" Top Spud Urinal</b>				
ZER6197AV-ULF	18.5" Rough in for Exposed Top Spud Connection	0.125 gpf	889934084016	1,487.00
ZER6197AV-EWS	18.5" Rough in for Exposed Top Spud Connection	0.5 gpf	-	1,487.00
ZER6197AV-WS1	18.5" Rough in for Exposed Top Spud Connection	1.0 gpf	-	1,487.00
<b>ZER Conversion Kits</b>				
ZERK-CP-CONC		-	670240570597	938.00



ZER6152AV

## AquaVantage® AV Concealed Diaphragm Flush Valves

PRODUCT NO.	DESCRIPTION	FLOW RATE	UPC	LIST PRICE
<b>AquaVantage® AV Concealed Flush Valve with Exposed Manual Handle for 10" Offset 1-1/2" Exposed Back Spud Water Closet</b>				
Z6140AV-HET	14 1/2" Rough-In	1.28 gpf	-	405.00
Z6140AV-WS1	14 1/2" Rough-In	1.6 gpf	-	405.00
<b>AquaVantage® AV Concealed Flush Valve with Exposed Manual Handle for 10" Offset 1-1/2" Exposed Top Spud Water Closet</b>				
Z6142AV-HET	12-1/2" Rough-In	1.28 gpf	-	466.00
Z6142AV-WS1	12-1/2" Rough-In	1.6 gpf	-	466.00
<b>AquaVantage® AV Concealed Flush Valve with Exposed Manual Handle for 10" Offset 1-1/2" Back Spud Water Closet</b>				
Z6143AV-ONE	14" Rough-In	1.1 gpf	-	361.00
Z6143AV-HET	14" Rough-In	1.28 gpf	-	361.00
Z6143AV-HET-L3	14" Rough-In w/ 3" Push Button	1.28 gpf	-	391.00
Z6143AV-WS1	14" Rough-In	1.6 gpf	-	361.00
Z6143AV-WS1-L3	14" Rough-In w/ 3" Push Button	1.6 gpf	-	391.00
Z6144AV-HET	10 1/2" Rough-In	1.28 gpf	-	361.00
Z6144AV-WS1	10 1/2" Rough-In	1.6 gpf	-	361.00
<b>AquaVantage® AV Concealed Flush Valve with Exposed Manual Push Button for Flushing Floor Drains</b>				
Z6150AV-WS1	w/ 1" NPT female outlet	1.6 gpf	-	334.00
<b>AquaVantage® AV Concealed Flush Valve with Exposed Manual Push Button for 1-1/2" Back Spud Water Closet</b>				
Z6152AV-HET	24" Rough In	1.28 gpf	-	343.00
Z6152AV-HET-L3	24" Rough In w/ 3" Push Button	1.28 gpf	-	374.00
Z6152AV-WS1	24" Rough In	1.6 gpf	-	343.00
Z6152AV-WS1-L3	24" Rough In w/ 3" Push Button	1.6 gpf	-	374.00
<b>AquaVantage® AV Concealed Flush Valve with Exposed Manual Push Button for Exposed 1-1/2" Top Spud Water Closet</b>				
Z6153AV-ONE	24" Rough-In	1.1 gpf	-	404.00
Z6153AV-HET	24" Rough-In	1.28 gpf	-	404.00
Z6153AV-WS1	24" Rough-In	1.6 gpf	-	404.00
<b>AquaVantage® AV Concealed Flush Valve with Exposed Manual Push Button for Exposed 1-1/2" Back Spud Water Closet</b>				
Z6154AV-HET	24" Rough-In	1.28 gpf	-	403.00
Z6154AV-WS1	24" Rough-In	1.6 gpf	-	403.00
<b>AquaVantage® AV Concealed Flush Valve with Exposed Manual Handle for Exposed 1-1/2" Top Spud Water Closet</b>				
Z6155AV-HET	29" Rough-In	1.28 gpf	-	403.00
Z6155AV-WS1	29" Rough-In	1.6 gpf	-	403.00
<b>AquaVantage® AV Concealed Flush Valve with Exposed Manual Handle for 1-1/4" Back Spud Urinal</b>				
Z6190AV-WS1	14 1/2" Rough-In	1.0 gpf	-	342.00
Z6190AV-WS1-L3	14 1/2" Rough-In w/ 3" Push Button	1.0 gpf	-	351.00
<b>AquaVantage® AV Concealed Flush Valve with Exposed Manual Handle for 3/4" Back Spud Urinal</b>				
Z6195AV-ULF	13 1/2" Rough In	0.125 gpf	-	342.00
Z6195AV-EWS	13 1/2" Rough In	0.5 gpf	-	373.00
Z6195AV-WS1	13 1/2" Rough In	1.0 gpf	-	373.00
<b>AquaVantage® AV Concealed Flush Valve with Exposed Manual Handle for Exposed 3/4" Top Spud Urinal</b>				
Z6197AV-ULF	18 1/2" Rough in	0.125 gpf	-	533.00
Z6197AV-EWS	18 1/2" Rough in	0.5 gpf	-	533.00
Z6197AV-WS1	18 1/2" Rough in	1.0 gpf	-	533.00



Z6140AV



Z6142AV



Z6143AV



Z6144AV



Z6150AV



Z6152AV

## Aquaflush® Concealed Diaphragm Flush Valves

PRODUCT NO.	DESCRIPTION	FLOW RATE	UPC	LIST PRICE
<b>Aquaflush® Concealed Flush Valve with Exposed Manual Handle for 10" Offset 1-1/2" Exposed Back Spud Water Closet</b>				
Z6140-WS1-YB	14 1/2" Rough-In	1.6 gpf	-	390.00
<b>Aquaflush® Concealed Flush Valve with Exposed Manual Handle for 10" Offset 1-1/2" Exposed Top Spud Water Closet</b>				
Z6142-WS1-YB	12-1/2" Rough-In	1.6 gpf	-	439.00
<b>Aquaflush® Concealed Flush Valve with Exposed Manual Handle for 10" Offset 1-1/2" Back Spud Water Closet</b>				
Z6143-WS1-YB	14" Rough-In	1.6 gpf	-	332.00
Z6144-WS1-YB	10 1/2" Rough-In	1.6 gpf	-	453.00
<b>Aquaflush® Concealed Flush Valve with Exposed Manual Push Button for Flushing Floor Drains</b>				
Z6150-WS1-YB	w/ 1" NPT female outlet	1.6 gpf	-	453.00
<b>Aquaflush® Concealed Flush Valve with Exposed Manual Push Button for 1-1/2" Back Spud Water Closet</b>				
Z6152-WS1-YB	24" Rough In	1.6 gpf	-	453.00
<b>Aquaflush® Concealed Flush Valve with Exposed Manual Push Button for Exposed 1-1/2" Top Spud Water Closet</b>				
Z6153-WS1-YB	24" Rough-In	1.6 gpf	-	414.00
<b>Aquaflush® Concealed Flush Valve with Exposed Manual Push Button for Exposed 1-1/2" Back Spud Water Closet</b>				
Z6154-WS1-YB	24" Rough-In	1.6 gpf	-	390.00
<b>Aquaflush® Concealed Flush Valve with Exposed Manual Handle for Exposed 1-1/2" Top Spud Water Closet</b>				
Z6155-WS1-YB	29" Rough-In	1.6 gpf	-	390.00
<b>Aquaflush® Concealed Flush Valve with Exposed Manual Handle for 1-1/4" Back Spud Urinal</b>				
Z6190-WS1-YB	14 1/2" Rough-In	1.0 gpf	-	321.00
<b>Aquaflush® Concealed Flush Valve with Exposed Manual Handle for 3/4" Back Spud Urinal</b>				
Z6195-WS1-YB	13 1/2" Rough In	1.0 gpf	-	321.00
<b>Aquaflush® Concealed Flush Valve with Exposed Manual Handle for Exposed 3/4" Top Spud Urinal</b>				
Z6197-WS1-YB	18 1/2" Rough in	1.0 gpf	-	378.00



Z6154AV



Z6155AV



Z6190AV



Z6195AV



Z6140



Z6190

## HYDRAULIC FLUSH VALVES

### AquaVantage® AV Exposed ZH Hydraulic Actuation Diaphragm Flush Valves

PRODUCT NO.	DESCRIPTION	FLOW RATE	UPC	LIST PRICE
<b>AquaVantage® AV Exposed ZH Hydraulic Actuation Flush Valve for 1-1/2" Top Spud Water Closet</b>				
ZH6000AV-WS1	Standard 11 1/2" Rough In	1.6 gpf	670240536296	493.00
<b>AquaVantage® AV Exposed ZH Hydraulic Actuation Dual Flush Valve for 1-1/2" Top Spud Water Closet</b>				
ZH6000AV-DF-WS1	Standard 11 1/2" Rough In	1.1/1.6 gpf	-	552.00
<b>AquaVantage® AV Exposed ZH Hydraulic Actuation Flush Valve for 1-1/2" Back Spud Water Closet</b>				
ZH6010AV-WS1	Standard 11 1/2" Rough In	1.6 gpf	670240260467	527.00
<b>AquaVantage® AV Exposed ZH Hydraulic Actuation Flush Valve for 1-1/2" Clinic and Service Sinks</b>				
ZH6017AV-WS1	24" Rough-In	6.5 gpf	-	523.00
<b>AquaVantage® AV Exposed ZH Hydraulic Actuation Flush Valve with Bedpan Diverter Valve for 1-1/2" Top Spud Water Closet</b>				
ZH6000AV-BWN-WS1	26-1/2" Rough-In	1.6 gpf	-	1,196.00
ZH6000AV-BWN1-WS1	34-3/8" Rough-In	1.6 gpf	-	1,196.00
<b>AquaVantage® AV Exposed ZH Hydraulic Actuation Flush Valve with Bedpan Diverter Valve for 1-1/2" Top Spud Water Closet - for Handicap Grab Bar Applications</b>				
ZH6011AV-BWN-WS1	26-1/2" Rough-In	1.6 gpf	-	1,261.00
<b>AquaVantage® AV Exposed ZH Hydraulic Actuation Flush Valve for 1-1/4" Top Spud Urinal</b>				
ZH6001AV-WS1	Standard 11 1/2" Rough In	1.0 gpf	670240405202	493.00
<b>AquaVantage® AV Exposed ZH Hydraulic Actuation Flush Valve for 3/4" Top Spud Urinal</b>				
ZH6003AV-ULF	Standard 11 1/2" Rough In	0.125 gpf	-	493.00
ZH6003AV-EWS	Standard 11 1/2" Rough In	0.5 gpf	-	493.00
ZH6003AV-WS1	Standard 11 1/2" Rough In	1.0 gpf	670240565791	493.00



ZH6000AV

## AquaVantage® AV Concealed ZH Hydraulic Actuation Diaphragm Flush Valves

PRODUCT NO.	DESCRIPTION	FLOW RATE	UPC	LIST PRICE
<b>AquaVantage® AV Concealed Hydraulic Flush Valve with Exposed Manual Button for 1-1/2" Exposed Back Spud Water Closet</b>				
ZH6140AV-HET	14 1/2" Rough-In	1.28 gpf	-	315.00
ZH6140AV-WS1	14 1/2" Rough-In	1.6 gpf	-	315.00
<b>AquaVantage® AV Concealed Hydraulic Flush Valve with Exposed Manual Button for 1-1/2" Exposed Top Spud Water Closet</b>				
ZH6142AV-HET	14" Rough in	1.28 gpf	-	378.00
ZH6142AV-WS1	14" Rough in	1.6 gpf	-	378.00
<b>AquaVantage® AV Concealed Hydraulic Flush Valve with Exposed Manual Button for Flushing Floor Drains</b>				
ZH6150AV-HET	w/ 1" NPT Female Outlet	1.28 gpf	-	290.00
ZH6150AV-WS1	w/ 1" NPT Female Outlet	1.6 gpf	670240533455	290.00
<b>AquaVantage® AV Concealed Hydraulic Flush Valve with Exposed Manual Button for 1-1/2" Back Spud Water Closet</b>				
ZH6152AV-HET	14 1/2" Rough-In	1.28 gpf	-	290.00
ZH6152AV-WS1	14 1/2" Rough-In	1.6 gpf	-	290.00
<b>AquaVantage® AV Concealed Hydraulic Actuation Flush Valve with Exposed Manual Button for 1-1/4" Back Spud Urinal</b>				
ZH6190AV-WS1	14 1/2" Rough In	1.0 gpf	-	280.00
<b>AquaVantage® AV Concealed Hydraulic Actuation Flush Valve with Exposed Manual Button for 3/4" Back Spud Urinal</b>				
ZH6195AV-ULF	13 1/2" Rough in	0.125 gpf	-	280.00
ZH6195AV-EWS	13 1/2" Rough in	0.5 gpf	-	280.00
ZH6195AV-WS1	13 1/2" Rough in	1.0 gpf	-	280.00
<b>AquaVantage® AV Concealed Hydraulic Actuation Flush Valve with Exposed Manual Button for Exposed 3/4" Top Spud Urinal</b>				
ZH6197AV-ULF	18 1/2" Rough in	0.125 gpf	-	443.00
ZH6197AV-EWS	18 1/2" Rough in	0.5 gpf	670240958166	443.00
ZH6197AV-WS1	18 1/2" Rough in	1.0 gpf	670240362581	443.00

## Aquaflush® Plus PL Exposed ZH Hydraulic Actuation Diaphragm Flush Valves

PRODUCT NO.	DESCRIPTION	FLOW RATE	UPC	LIST PRICE
<b>Aquaflush® Plus PL Exposed ZH Hydraulic Actuation Flush Valve for 1-1/2" Top Spud Water Closets</b>				
ZH6000PL-HET	Standard 11 1/2" Rough In	1.28 gpf	-	681.00
ZH6000PL-WS1	Standard 11 1/2" Rough In	1.6 gpf	670240794214	681.00
<b>Aquaflush® Plus PL Exposed ZH Hydraulic Actuation Flush Valve for Flushing Floor Drains</b>				
ZH6150PL-WS1	w/ 1" NPT Female Outlet	1.6 gpf	670240801912	394.00
<b>Aquaflush® Plus PL Exposed ZH Hydraulic Actuation Flush Valve for 1-1/4" Top Spud Urinals</b>				
ZH6001PL-WS1	Standard 11 1/2" Rough In	1.0 gpf	-	681.00
<b>Aquaflush® Plus PL Exposed ZH Hydraulic Actuation Valve for 3/4" Top Spud Urinals</b>				
ZH6003PL-EWS	Standard 11 1/2" Rough In	0.5 gpf	-	503.00
ZH6003PL-ULF	Standard 11 1/2" Rough In	0.125 gpf	-	503.00
ZH6003PL-WS1	Standard 11 1/2" Rough In	1.0 gpf	-	503.00



ZH6140AV



ZH6000PL-WS1

## Aquaflush® Exposed ZH Hydraulic Actuation Diaphragm Flush Valves

PRODUCT NO.	DESCRIPTION	FLOW RATE	UPC	LIST PRICE
<b>Aquaflush® Exposed ZH Hydraulic Actuation Flush Valve for 1-1/2" Top Spud Water Closets</b>				
ZH6000-WS1-YB-YC	Standard 11 1/2" Rough In	1.6 gpf	670240485914	841.00
<b>Aquaflush® Exposed ZH Hydraulic Actuation Flush Valve for 3/4" Top Spud Urinal</b>				
ZH6003-WS1-YB-YC	Standard 11 1/2" Rough In	1.0 gpf	670240496200	841.00
<b>Aquaflush® Exposed ZH Hydraulic Actuation Flush Valve with Bedpan Diverter Valve for 1-1/2" Top Spud Water Closet</b>				
ZH6000-BWN-YB-YC	26-1/2" Rough-In	3.5 gpf	-	1,289.00
<b>Aquaflush® Exposed ZH Hydraulic Actuation Flush Valve with Bedpan Diverter Valve for 1-1/2" Top Spud Water Closet - for Handicap Grab Bar Applications</b>				
ZH6011-BWN-YB-YC	26-1/2" Rough-In	3.5 gpf	-	1,289.00

## Aquaflush® Concealed ZH Hydraulic Actuation Diaphragm Flush Valves

PRODUCT NO.	DESCRIPTION	FLOW RATE	UPC	LIST PRICE
<b>Aquaflush® Concealed Hydraulic Flush Valve with Exposed Manual Button for 1-1/2" Exposed Back Spud Water Closet</b>				
ZH6140-WS1-YB	14 1/2" Rough-In	1.6 gpf	-	446.00
<b>Aquaflush® Concealed Hydraulic Flush Valve with Exposed Manual Button for 1-1/2" Exposed Top Spud Water Closet</b>				
ZH6142-WS1-YB	14" Rough in	1.6 gpf	-	507.00
<b>Aquaflush® Concealed Hydraulic Flush Valve with Exposed Manual Button for Flushing Floor Drains</b>				
ZH6150-WS1-YB	w/ 1" NPT Female Outlet	1.6 gpf	670240619791	446.00
<b>Aquaflush® Concealed Hydraulic Flush Valve with Exposed Manual Button for 1-1/2" Back Spud Water Closet</b>				
ZH6152-WS1-YB	14 1/2" Rough-In	1.6 gpf	-	446.00
<b>Aquaflush® Concealed Hydraulic Actuation Flush Valve with Exposed Manual Button for 1-1/4" Back Spud Urinal</b>				
ZH6190-WS1-YB	14 1/2" Rough In	1.0 gpf	-	409.00
<b>Aquaflush® Concealed Hydraulic Actuation Flush Valve with Exposed Manual Button for 3/4" Back Spud Urinal</b>				
ZH6195-WS1-YB	13 1/2" Rough in	1.0 gpf	-	409.00
<b>Aquaflush® Concealed Hydraulic Actuation Flush Valve with Exposed Manual Button for Exposed 3/4" Top Spud Urinal</b>				
ZH6197-WS1-YB	18 1/2" Rough in	1.0 gpf	-	578.00

## Options for Hydraulic Actuation

SUFFIX	DESCRIPTION	ADD
-SW	Side Wall	201.00
-MB	Metal Button	163.00
-MBP	Metal Button Penal	163.00
	Optional ZP-50 Wall Plate for Push Button	



ZH6140AV

# PRISON FLUSH VALVES

## Ordering Instructions for Concealed and Prison Flush Valve

When ordering concealed flush valve, 'L' Dim. must be specified.  
 - 'L' Dim. equals 2-3/4" plus thickness of wall. Note: for combination lavatory/closet fixtures, add one more inch to wall thickness.  
 - Penal flush Valve are furnished with -L small vandal-resistant push button as standard.  
 - For hydraulic application, specify prefix ZH and refer to the Hydraulic section of this price sheet.  
 - If flush valve are to be used with access panels, order must be noted using Suffix AP after model number. See Z6199 Access Panels for size and price.  
 - For concealed flush valve, specify -J (handle), -L (small push button), -L3 (3" large push button).  
 - For 'L' Dim. longer than 12-3/4", add \$7.80 per inch."

## AquaVantage® AV Prison Flush Valves

PRODUCT NO.	DESCRIPTION	FLOW RATE	UPC	LIST PRICE
<b>AquaVantage® AV Concealed Flush Valve for Combination Lavatory/Closet Penal Fixtures</b>				
Z6601AV-WS1	20-1/2" Rough-in	1.6 gpf	-	324.00
Z6603AV-WS1	16" Rough-in	1.6 gpf	-	324.00
<b>AquaVantage® AV Exposed Flush Valve for Penal Water Closet Fixtures</b>				
Z6606AV-WS1	Standard 11 1/2" Rough In	1.6 gpf	670240534728	324.00
<b>AquaVantage® AV Concealed Flush Valve for Penal Water Closet Fixtures</b>				
Z6611AV-WS1	24" Rough In	1.6 gpf	-	324.00
<b>AquaVantage® AV Concealed Flush Valve for Detox Drain</b>				
Z6681AV-WS1	26" Rough-in	1.6 gpf	-	360.00
<b>AquaVantage® AV Concealed Flush Valve for Detox Drain with Threaded Down Pipe</b>				
Z6621AV-WS1	w/ 1" NPT Female Outlet	1.6 gpf	-	347.00
<b>AquaVantage® AV Concealed Flush Valve for 1-1/4" Back Spud Penal Urinal Fixtures</b>				
Z6609AV-WS1	13" Rough In	1.0 gpf	-	333.00
<b>AquaVantage® AV Concealed Flush Valve for 3/4" Back Spud Penal Urinal Fixtures</b>				
Z6613AV-WS1	13" Rough In	1.0 gpf	-	333.00
<b>AquaVantage® AV Exposed Flush Valve for 3/4" Top Spud Penal Urinal Fixtures</b>				
Z6614AV-WS1	Standard 11 1/2" Rough In	1.0 gpf	-	333.00

## AquaVantage® AV ZH Hydraulic Actuation Prison Flush Valves

Note: MBP (metal button penal) is standard for prison flush valves.

PRODUCT NO.	DESCRIPTION	FLOW RATE	UPC	LIST PRICE
<b>AquaVantage® AV Concealed ZH Hydraulic Actuation Flush Valve for Combination Lavatory/Closet Penal Fixtures</b>				
ZH6603AV-WS1-MBP	16" Rough-in	1.6 gpf	-	658.00
<b>AquaVantage® AV Exposed ZH Hydraulic Actuation Flush Valve for Penal Water Closet Fixtures</b>				
ZH6606AV-WS1-MBP	Standard 11 1/2" Rough In	1.6 gpf	670240573826	722.00
<b>AquaVantage® AV Concealed ZH Hydraulic Actuation Flush Valve for Penal Water Closet Fixtures</b>				
ZH6609AV-WS1-MBP	13" Rough In	1.6 gpf	-	658.00
ZH6611AV-WS1-MBP	16" Rough-in	1.6 gpf	-	697.00
<b>AquaVantage® AV Concealed ZH Hydraulic Actuation Flush Valve for 3/4" Back Spud Penal Urinal Fixtures</b>				
ZH6613AV-WS1-MBP	13" Rough In	1.0 gpf	-	658.00
<b>AquaVantage® AV Exposed ZH Hydraulic Actuation Flush Valve for 3/4" Top Spud Penal Urinal Fixtures</b>				
ZH6614AV-WS1-MBP		1.0 gpf	670240573833	674.00
<b>ZH Hydraulic Actuation</b>				
PH6000-HYLP-MBP	Actuator Only		670240419063	171.00



Z6611AV



ZH6603AV-MBP

When ordering parts, always list product number and description. For additional product information, please visit [www.zurn.com](http://www.zurn.com).



## AquaFlush® Prison Flush Valves

PRODUCT NO.	DESCRIPTION	FLOW RATE	UPC	LIST PRICE
<b>Aquaflush® Concealed Flush Valve for Combination Lavatory/Closet Penal Fixtures</b>				
Z6601-WS1-YB	20-1/2" Rough-in	1.6 gpf	-	334.00
Z6603-WS1-YB	16" Rough-in	1.6 gpf	-	334.00
<b>Aquaflush® Exposed Flush Valve for Penal Water Closet Fixtures</b>				
Z6611-WS1-YB	24" Rough In	1.6 gpf	-	334.00
<b>Aquaflush® Concealed Flush Valve for Prison Urinal Fixtures</b>				
Z6609-WS1-YB	13" Rough In	1.0 gpf	-	334.00
Z6613-WS1-YB	13" Rough In	1.0 gpf	-	334.00

## AquaFlush® ZH Hydraulic Actuation Prison Flush Valves

PRODUCT NO.	DESCRIPTION	FLOW RATE	UPC	LIST PRICE
<b>Aquaflush® Concealed ZH Hydraulic Actuation Flush Valve for Combination Lavatory/Closet Penal Fixtures</b>				
ZH6603-WS1-MBP-YB	16" Rough-in	1.6 gpf	-	459.00
<b>Aquaflush® Concealed ZH Hydraulic Actuation Flush Valve for Penal Water Closet Fixtures</b>				
ZH6611-WS1-MBP-YB	16" Rough-in	1.6 gpf	-	459.00
<b>Aquaflush® Concealed ZH Hydraulic Actuation Flush Valve for Prison Urinal Fixtures</b>				
ZH6609-WS1-MBP-YB	13" Rough In	1.0 gpf	-	459.00
ZH6613-WS1-MBP-YB	13" Rough In	1.0 gpf	-	459.00

## AQUAVANTAGE® AV FOOT PEDAL ACTUATION FLUSH VALVES

PRODUCT NO.	DESCRIPTION	FLOW RATE	UPC	LIST PRICE
<b>AquaVantage® AV Exposed Foot Pedal Actuation Flush Valves for 1-1/2" Top Spud Water Closets</b>				
Z6310AV-WS1		1.6 gpf	670240596863	1,141.00
<b>AquaVantage® AV Exposed Foot Pedal Actuation Flush Valves for 1-1/4" Top Spud Urinals</b>				
Z6300AV-WS1		1.0 gpf	670240569508	1,141.00
<b>AquaVantage® AV Exposed Foot Pedal Actuation Flush Valves for 3/4" Top Spud Urinals</b>				
Z6320AV-WS1		1.0 gpf	670240640177	1,141.00
<b>AquaVantage® AV Concealed Foot Pedal Actuation Flush Valves for 1-1/2" Top Spud Water Closets</b>				
Z6312AV-WS1		1.6 gpf	-	1,063.00
<b>AquaVantage® AV Concealed Foot Pedal Actuation Flush Valves for 1-1/4" Top Spud Urinals</b>				
Z6313AV-WS1		1.0 gpf	-	1,063.00
<b>AquaVantage® AV Concealed Foot Pedal Actuation Flush Valves for 3/4" Top Spud Urinals</b>				
Z6323AV-WS1		1.0 gpf	-	1,063.00



Z6601



Z6609



ZH6611AV



Z6310AV



Z6300AV

## FLUSH VALVES FOR EASTERN STYLE WATER CLOSETS

Standard flush is 3.5 gallons. Specify -WS1 for 1.6 gallon or -PWS for 2.4 gallons.

PRODUCT NO.	DESCRIPTION	FLOW RATE	UPC	LIST PRICE
<b>AquaVantage® AV Exposed Flush Valves for Eastern Style Water Closets</b>				
Z6096AV-WS1		1.6 gpf	670240598096	452.00
Z6096AV-WS1-WA			-	452.00
<b>AquaVantage® AV Concealed Flush Valves for Eastern Style Water Closets</b>				
Z6196AV-WS1	3-3/4" - 12-3/4" 'L' Dim.		-	553.00
<b>Zurn Metroflush® Exposed Flush Valve for Eastern Style Water Closet</b>				
Z6296-WS1		1.6 gpf	-	370.00
Z6296-WA-WS1		1.6 gpf	-	404.00

## ACCESS PANELS

Satin finish, stainless steel with vandal-proof screws.

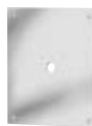
PRODUCT NO.	DESCRIPTION	FLOW RATE	UPC	LIST PRICE
<b>Access Panels for Concealed Manual Flush Valves - For use with all Z61xx, ZH61xx series flush valves</b>				
Z6199-BX12	12" x 12"		670240434042	341.00
Z6199-BX15	15" x 15"		670240446014	445.00
Z6199-BX17	13" x 17"		670240446021	445.00
<b>Solid Access Panels (No Hole)</b>				
Z6199-BX12-NH	12" x 12"		670240521742	341.00
Z6199-BX15-NH	15" x 15"		670240462144	445.00
Z6199-BX17-NH	13" x 17"		670240536272	445.00
<b>Access Panels for Concealed ZEMS Sensor Flush Valves- Closet</b>				
ZEMS6199-BX12-C	12" x 12"		889934065268	629.00
ZEMS6199-BX15-C	15" x 15"		889934065282	822.00
ZEMS6199-BX17-C	13" x 17"		889934065305	704.00
<b>Access Panels for Concealed ZEMS Sensor Flush Valves- Urinal</b>				
ZEMS6199-BX12-U	12" x 12"		889934065275	629.00
ZEMS6199-BX15-U	15" x 15"		889934065299	822.00
ZEMS6199-BX17-U	13" x 17"		889934065312	704.00
<b>Access Panels for Concealed ZER Sensor Flush Valves</b>				
ZERK6199-BX12	12" x 12"		670240586277	344.00
ZER6199-BX17	13" x 17"		670240617483	445.00
<b>Access Panel Accessories</b>				
P6199-SC-1	1" Long Vandal-Proof Screws		670240433519	7.00
P6199-SC-2	2" Long Vandal-Proof Screws		670240504684	11.00



Z6196AV



Z6199-BX12



Z6199-BX15



ZEMS6199-BX\_

## RETROFIT X-BODIES - EXPOSED AND CONCEALED

For Zurn and Royal/Regal Installations -X Body = Flush valve body with internals kit, less control stop and flush connection. Sensor -X bodies do not include sensor unit or component parts.

PRODUCT NO.	DESCRIPTION	FLOW RATE	UPC	LIST PRICE
<b>AquaVantage® AV Exposed Retrofit X-Bodies for 1-1/2" Spud Water Closet</b>				
Z6000AV-HET-X		1.28 gpf	670240366428	214.00
Z6000AV-WS1-X		1.6 gpf	670240532809	214.00
<b>AquaVantage® AV Concealed Retrofit X-Bodies for 1-1/2" Spud Water Closet</b>				
Z6100AV-HET-X		1.28 gpf	670240388161	214.00
Z6100AV-WS1-X		1.6 gpf	670240549517	463.00
<b>AquaVantage® AV Exposed ZH Hydraulic Actuation Retrofit X-Bodies for 1-1/2" Spud Water Closet</b>				
ZH6000AV-WS1-X		1.6 gpf	670240703872	463.00
<b>AquaVantage® AV Concealed ZH Hydraulic Actuation Retrofit X-Bodies for 1-1/2" Spud Water Closet</b>				
ZH6100AV-WS1-X		1.6 gpf	670240621404	746.00
<b>AquaVantage® AV Exposed ZEMS Integral Sensor Actuation Retrofit X-Bodies for 1-1/2" Spud Water Closet</b>				
ZEMS6000AV-HET-IS-X		1.28 gpf	-	746.00
ZEMS6000AV-WS1-IS-X		1.6 gpf	670240627635	746.00
<b>AquaVantage® AV Exposed ZEMS In Wall Sensor Actuation Retrofit X-Bodies for 1-1/2" Spud Water Closet</b>				
ZEMS6000AV-HET-X		1.28 gpf	670240491762	746.00
ZEMS6000AV-WS1-X		1.6 gpf	670240607804	746.00
<b>AquaVantage® AV Concealed ZEMS In Wall Sensor Actuation Retrofit X-Bodies for 1-1/2" Spud Water Closet</b>				
ZEMS6100AV-HET-X		1.28 gpf	-	746.00
ZEMS6100AV-WS1-X		1.6 gpf	670240621787	746.00
<b>AquaVantage® AV Exposed Retrofit X-Bodies for 1-1/4" Spud Urinal</b>				
Z6001AV-WS1-X		1.0 gpf	670240665613	214.00
<b>AquaVantage® AV Exposed Retrofit X-Bodies for 3/4" Spud Urinal</b>				
Z6003AV-ULF-X		0.125 gpf	670240384552	214.00
Z6003AV-EWS-X		0.5 gpf	670240809369	214.00
Z6003AV-WS1-X		1.0 gpf	670240542082	214.00
<b>AquaVantage® AV Exposed ZH Hydraulic Actuation Retrofit X-Bodies for 3/4" Spud Urinal</b>				
ZH6003AV-ULF-X		0.125 gpf	-	826.00
ZH6003AV-EWS-X		0.5 gpf	-	463.00
ZH6003AV-WS1-X		1.0 gpf	-	826.00
<b>AquaVantage® AV Exposed ZEMS Integral Sensor Actuation Retrofit X-Bodies for 1-1/4" Spud Urinal</b>				
ZEMS6001AV-WS1-IS-X		1.0 gpf	-	746.00
<b>AquaVantage® AV Exposed ZEMS Integral Sensor Actuation Retrofit X-Bodies for 3/4" Spud Urinal</b>				
ZEMS6003AV-ULF-IS-X		0.125 gpf	-	746.00
ZEMS6003AV-EWS-IS-X		0.5 gpf	-	746.00
ZEMS6003AV-WS1-IS-X		1.0 gpf	670240847958	746.00
<b>RETROFIT X-BODIES OPTIONS</b>	<b>DESCRIPTION</b>			<b>ADD</b>
<b>P6000-J10</b>	To retrofit to ground joint control stop, use appropriate Z-X body and P6000-J10 ground joint adapter.			<b>56.00</b>

## ACCESSORIES/VARIATIONS

SUFFIX	DESCRIPTION	LIST PRICE
-ADA	Handicap Handle Flush Valve	N/C
-BG	BioCare Handle	81.00
-DF	Dual Flush Handle	77.00
-E	Straight Stop	45.00
-EWS	0.5 gpf Flush	N/C
-GJ	Ground Joint Tailpiece	25.00
-H	Handle/Front Operation Exposed Flush Valve	41.00
-HET	High Efficiency Toilet 1.28 gpf Water Closet	N/C
-HL	Small Push Button	N/C
-HL3	3" Large Push Button	23.00
-J	Oscillating Handle	N/C
-K	Wheel Handle Stop - CP	31.00
-N	Top Spud Connection for Concealed Valve	163.00
-010	1" Offset Flush Connection	53.00
-015	1-1/2" Offset Flush Connection	53.00
-020	2" Offset Flush Connection	53.00
-ONE	1.1 gpf Water Closet	N/C
-ULF	Ultra Low Flush 0.125 gpf Urinal	N/C
-VC	Vandal-Resistant Control Stop Cover	19.00
-VP	Vandal-Resistant Control Stop Screw	10.00
-WS	Water Saving Flush - 3.5 Gal. Closet; 1.5 Gal. Urinal	N/C
-WS1	Low Consumption Flush 1.6 Gal. Closet; 1.0 Gal. Urinal	N/C
-YB	Sweat Solder Kit - Exposed (Each)	15.00
-YBA	Sweat Solder Kit - Concealed (Each)	10.00
-YC	Cast Wall Flange (Each)	28.00
-YE	Cover Tube and Adapter for -YB Kit	20.00
-YG	Extended Bumper on Control Stop	20.00
-YJ	Split Ring Pipe Support - 5" C to E	70.00
-YJ8	Split Ring Pipe Support - 8" C to E	80.00
-YJ12	Split Ring Pipe Support - 12" C to E	111.00
-YK	Solid Ring Pipe Support - 5" C to E	70.00
-YK8	Solid Ring Pipe Support - 8" C to E	80.00
-YK12	Solid Ring Pipe Support - 12" C to E	111.00
-YL	Solid Ring Pipe Support with Bumper 5" C to E (Add \$3.80 per inch over 5")	78.00
-YO	Bumper on Control Stop	N/C



-ADA



-L



-L3



-0



-VC



-YC



-YL



-YJ



-YO



-VP



-YBA



-YE

When ordering parts, always list product number and description.

For additional product information, please visit [www.zurn.com](http://www.zurn.com).

## SPECIALTY ITEMS

PRODUCT NO./SUFFIX	DESCRIPTION	LIST PRICE
	"L" Dimension Over 12 3/4" (Add per amount per extra inch)	10.00
	Inlet Tail Longer Than 2-1/16 Std.	5.00
	Outlet Longer Than Standard	5.00
	17-Gage Outlet	6.00
<b>P6000-YB-CVR7</b>	1" x 6" Cover Tubing	30.00
<b>P6003-YB-CVR7</b>	3/4" x 6" Cover Tubing	30.00
	Cover Tubing Over 7" Long	9.00
<b>P6000-YB-CVR36</b>	1" x 36" Cover Tubing	128.00
<b>P6003-YB-CVR36</b>	3/4" x 36" Cover Tubing	128.00
<b>-Z</b>	Exposed Flush Valve Body and Control Stop Less Flush Connection	256.00
<b>-Y</b>	Exposed Flush Valve Body and Flush Connection Less Control Stop, Suffix	256.00
<b>-TP</b>	Fittings Only for Flush Tube	56.00
<b>P6000-J10</b>	Ground Joint Adapter	57.00
<b>-VC</b>	Vandal-Proof Wrench for Cover	19.00

FLUSH VALVES

FAUCETS

TEMP-GARD®

TUBULAR BRASS

FIXTURES

AQUAPARTS® REPAIR PARTS  
AND ASSEMBLIES

# ZURN® AQUAVANTAGE® AV/SLOAN® FLUSH VALVE CROSS REFERENCE

Exposed Flush Valves	
Zurn AquaVantage®	Sloan Royal®
Z6000AV	Royal 110
Z6000AV-WS1	Royal 111
Z6000AV-1	Royal 113
Z6014AV	Royal 114
Z6000AV-2	Royal 115
Z6000AV-3	Royal 116
Z6017AV	Royal 117
Z6010AV	Royal 120
Z6010AV-1	Royal 121
Z6010AV-2	Royal 122
Z6099AV	110-YC-RM14266
Z6001AV	Royal 180
Z6001AV-WS1	Royal 180-1
Z6081AV	Royal 181
Z6003AV	Royal 186
Z6003AV-WS1	Royal 186-1
Z6003AV-20	Royal 186-11
Z6087AV	Royal 187
Z6089AV	Royal 189

Concealed Flush Valves	
Zurn AquaVantage®	Sloan Royal®
Z6140AV	Royal 140
Z6142AV	Royal 142
Z6143AV	Royal 143
Z6144AV	Royal 144
Z6150AV	Royal 150
Z6152AV	Royal 152
Z6153AV	Royal 153
Z6154AV	Royal 154
Z6155AV	Royal 155
Z6199-BX12	Royal B/P-24508
Z6190AV	Royal 190
Z6192AV	Royal 192
Z6192AV	Royal 6192
Z6195AV	Royal 195
Z6195AV-20	Royal 195-11
Z6197AV	Royal 197

Hydraulic Flush Valves	
Zurn AquaVantage®	Sloan Royal®
ZH6000AV	Royal 910
ZH6017AV	Royal 917
ZH6010AV	Royal 920
ZH6000AV-BWN	Royal 9000
ZH6001AV	Royal 980
ZH6003AV	Royal 986
ZH6003AV-20	Royal 986-11
ZH6140AV	Royal 940
ZH6142AV	Royal 942
ZH6150AV	Royal 950
ZH6152AV	Royal 952
ZH6190AV	Royal 990
ZH6195AV	Royal 995
ZH6195AV-11	Royal 995-11

Bedpan Washers	
Zurn AquaVantage®	Sloan Royal®
Z6000AV-BWN	Royal BPW-1100
Z6000AV-BWN1	Royal BPW-1000
Z6010AV-BWN	Royal BPW-1110
Z6010AV-BWN1	Royal BPW-1010
Z6011AV-BWN	Royal BPW-1150
Z6020AV-BWN	Royal BPW-1020
Z6040AV-BWN	Royal BPW-1040
Z6000AV-TP	110-VBF-72-A1-9-1/2
Z6000AV-1-TP	110-VBF-72-A1-13-1/2
Z6000AV-2-TP	110-VBF-72-A1-21-1/2
Z6000AV-3-TP	110-VBF-72-A1-24 -1/2

Bedpan Washers with Deoseptic Bottle	
Zurn AquaVantage®	Sloan Royal®
Z6000AV-BWND	BPW 1105 w/ DEOSEPTIC
Z6010AV-BWNID	BPW 1015 w/ DEOSEPTIC
Z6010AV-BWND	BPW 1115 w/DEOSEPTIC
Z6011AV-BWND	BPW 1155 w/DEOSEPTIC
Z6020AV-BWND	BPW 1025 w/ DEOSEPTIC
Z6040AV-BWND	BPW 1045 w/ DEOSEPTIC
ZH6000AV-BWNID	BPW 9005 w/ DEOSEPTIC
Z6000-DVNID	DV 105
Z6010-DVNID	DV 105R
Z6000-DVND	DV 115
Z6010-DVND	DV 115R
Z6011-DVND	DV 125
Z6010-DVND-LO	DV 125R
Z6000-DVNID-020	DV 135

Penal Flush Valves	
Zurn AquaVantage®	Sloan Royal®
Z6601AV	Royal 601
Z6602AV	Royal 602
Z6603AV	Royal 603
Z6605AV	Royal 605
Z6606AV	Royal 606
Z6609AV	Royal 609
Z6610AV	Royal 610
Z6611AV	Royal 611
Z6613AV	Royal 613
Z6614AV	Royal 614
Z6615AV	Royal 615
Z6616AV	Royal 616
Z6621AV	Royal 621
Z6681AV	Royal 681

Foot Pedal Valves	
Zurn AquaVantage®	Sloan Royal®
Z6310AV	Royal 310
Z6300AV	Royal 300
Z6320AV	Royal 320

Sensor Electronic Flush Valves	
Zurn AquaVantage®	Sloan®
ZEMS6000AV-IS	Royal 110ES-S
ZEMS6000AV-WS1-IS	Royal 111ES-S
ZEMS6001AV-IS	Royal 180ES-S
ZEMS6003AV-IS	Royal 186ES-S
ZEMS6003AV-WS1-IS	Royal 186-1ES-S
ZEMS6140AV	Royal 140ES-S
ZEMS6142AV	Royal 142ES-S
ZEMS6152AV	Royal 152ES-S
ZEMS6190AV	Royal 190ES-S
ZEMS6195AV	Royal 195ES-S

Sensor Battery Flush Valves	
Zurn AquaVantage®	Sloan®
ZER6000AV-CPM	Royal 8110-MC
ZER6000AV-WS1-CPM	Royal 8111-MC
ZER6000AV-2-CPM	Royal 8115-MC
ZER6000AV-3-CPM	Royal 8116-MC
ZER6000AV-BWN-CPM	Royal BPW-8000-MC
ZER6000AV-CP	Royal 8110
ZER6000AV-WS1-CP	Royal 8111
ZER6000AV-2-CP	Royal 8115
ZER6000AV-3-CP	Royal 8116
ZER6000AV-BWN-CP	Royal BPW-8000

Sensor Battery Operated Retrofit Kits	
Zurn AquaVantage®	Sloan Royal®
ZR6001AV	Royal 8180-MC
ZR6001AV-WS1	Royal 8180-1.0-MC
ZR6003AV	Royal 8186-MC
ZR6003AV-WS1	Royal 8186-1-MC
ZR6000AV	Royal 8110-MC
ZR6000AV-WS1	Royal 8111-MC
ZR6000AV-2	Royal 8115-MC
ZR6000AV-3	Royal 8116-MC
ZR6000AV-BWN	Royal BPW-8000-MC

Sensor Battery Operated Kits	
Zurn®	Sloan®
ZERK-CPM	RESS-CR-4.5C-MC
ZERK-CPM	RESS-CF-3.5C-MC
ZERK-CPM	RESS-CF-1.6C-MC
ZERK-CPM	RESS-3.0U-MC
ZERK-CPM	RESS-1.5U-MC
ZERK-CPM	RESS-1.0U-MC
ZERK-CP	RESS-CR-4.5C-MC
ZERK-CP	RESS-CF-3.5C-MC
ZERK-CP	RESS-CF-1.6C-MC
ZERK-CP	RESS-3.0U-MC
ZERK-CP	RESS-1.5U-MC
ZERK-CP	RESS-1.0U-MC

# ZURN® AQUAFLUSH/SLOAN® FLUSH VALVE CROSS REFERENCE

FLUSH VALVES

Sensor Battery Operated Retrofit Kits	
Zurn®	Sloan Royal®
ZRK-C-4.5	RESS-G2-C-ROYAL
ZRK-C-3.5	RESS-G2-C-ROYAL
ZRK-C-1.6	RESS-G2-C-ROYAL
ZRK-U-3.0	RESS-G2-U-ROYAL
ZRK-U-1.5	RESS-G2-U-ROYAL
ZRK-U-1.0	RESS-G2-U-ROYAL

FAUCETS

Flush Valves	
Zurn Aquaflush® Plus	Sloan Regal Pro®
Z6000PL	Sloan 110
Z6000PL-YK	Sloan 110-YK
Z6000PL-WS1	Sloan 111
Z6000PL-1	Sloan 113
Z6000PL-1-WS1	Sloan 113-1.6
Z6014PL	Sloan 114
Z6014PL-WS1	Sloan 114-1.6
Z6000PL-2	Sloan 115
Z6000PL-2-WS1	Sloan 115-1.6
Z6000PL-3	Sloan 116
Z6000PL-3-WS1	Sloan 116-1.6
Z6010PL	Sloan 120
Z6010PL-WS1	Sloan 120-1.6
Z6001PL	Sloan 180
Z6001PL-YK	Sloan 180-YK
Z6001PL-WS1	Sloan 180-1
Z6001PL-WS	Sloan 180-1.5
Z6003PL	Sloan 186
Z6003PL-EWS	Sloan 186-0.5
Z6003PL-WS1	Sloan 186-1
Z6017PL	Sloan 117
Z6017PL-H	Sloan 117-H
Z6017PL-H-O10	Sloan 117-H-O10
Z6017PL-H-O15	Sloan 117-H-O15
Z6017PL-H-O20	Sloan 117-H-O20
ZH6000PL	Sloan 910
ZH6000-PL-WS1	Sloan 910-1.6
ZH6150PL	Sloan 950
ZH6001PL	Sloan 980
ZH6001PL-WS1	Sloan 980-1
ZH6001PL-WS	Sloan 980-1.5
ZH6003PL	Sloan 986
ZH6003PL-EWS	Sloan 986-0.5
ZH6003PL-WS1	Sloan 986-1
Z6000PL-TP	Sloan 111-TP
Z6000PL-TP-YK	Sloan 110-TP-YK

TEMP-GARD®

TUBULAR BRASS

FIXTURES

AQUAPARTS® REPAIR PARTS AND ASSEMBLIES

Flush Valves	
Zurn Aquaflush®	Sloan Regal Pro®
Z6000	Regal 110
Z6000-YB-YC	Regal 110XL
Z6000-WS1	Regal 111
Z6000-WS1-YB-YC	Regal 111XL
Z6014	Regal 114
Z6000-2	Regal 115
Z6000-2-YB-YC	Regal 115XL
Z6000-3	Regal 116
Z6000-3-YB-YC	Regal 116XL
Z6017	Regal 117
Z6010	Regal 120
Z6010-YB-YC	Regal 120XL
Z6010-1	Regal 121
Z6010-1-YB-YC	Regal 121XL
Z6010-2	Regal 122
Z6010-2-YB-YC	Regal 122XL
Z6001	Regal 180
Z6001-YB-YC	Regal 180XL
Z6001-WS1	Regal 180-1
Z6001-WS1-YB-YC	Regal 180-1XL
Z6003	Regal 186
Z6003-YB-YC	Regal 186XL
Z6003-WS1	Regal 186-1
Z6003-WS1-YB-YC	Regal 186-1XL
Z6081	Regal 181
Z6087	Regal 187
Z6089	Regal 189
Z6140	Regal 140
Z6140-YB	Regal 140YB
Z6142	Regal 142
Z6142-YB	Regal 142YB
Z6143	Regal 143
Z6143-YB	Regal 143YB
Z6144	Regal 144
Z6144-YB	Regal 144YB
Z6150	Regal 150
Z6150-YB	Regal 150YB
Z6152	Regal 152
Z6152-YB	Regal 152YB
Z6154	Regal 154
Z6154-YB	Regal 154YB
Z6155	Regal 155
Z6155-YB	Regal 155YB
Z6190	Regal 190
Z6190-YB	Regal 190YB
Z6192	Regal 192
Z6195	Regal 195
Z6195-YB	Regal 195YB
Z6197	Regal 197

Hydraulic Valves	
Zurn Aquaflush®	Sloan Regal®
ZH6603	Regal 9603
ZH6609	Regal 9609
ZH6613	Regal 9613
ZH6000	Regal 910
ZH6017	Regal 917
ZH6010	Regal 920
ZH6000-BWN	Regal BPW-9000
ZH6001	Regal 980
ZH6003	Regal 986
ZH6140	Regal 940
ZH6142	Regal 942
ZH6150	Regal 950
ZH6152	Regal 952
ZH6190	Regal 990
ZH6195	Regal 995

Penal Flush Valves	
Zurn Aquaflush®	Sloan Regal®
Z6601	Regal 601
Z6601-YB	Regal 601YB
Z6603	Regal 603
Z6603-YB	Regal 603YB
Z6606	Regal 606
Z6606-YB-YC	Regal 606XL
Z6609	Regal 609
Z6609-YB	Regal 609YB
Z6610	Regal 610
Z6610-YB-YC	Regal 610YB
Z6611	Regal 611
Z6611-YB	Regal 611YB
Z6613	Regal 613
Z6613-YB	Regal 613YB
Z6614	Regal 614
Z6614-YB-YC	Regal 614XL
Z6615	Regal 615
Z6615-YB	Regal 615YB
Z6616	Regal 616
Z6616-YB	Regal 616YB
Z6681	Regal 681

Bedpan Washer Flush Valves	
Zurn Aquaflush®	Sloan Regal®
Z6000-BWN	BPW 1000
Z6000-BWN-YB-YC	BPW 1000XL
Z6010-BWN	BPW 1010
Z6011-BWN	BPW 1150
Z6020-BWN	BPW 1020
Z6030-BWN	BPW 1030
Z6040-BWN	BPW 1040
ZH6000-BWN-FW	BPW 9000





# NOTES

FLUSH VALVES

FAUCETS

TEMP-GARD®

TUBULAR BRASS

FIXTURES

AQUAPARTS® REPAIR PARTS  
AND ASSEMBLIES

# FAUCETS

<b>AQUA-FIT® SENSOR FAUCET SYSTEMS</b>	<b>42</b>	GOOSENECKS	<b>49</b>	CLINICAL SERVICE SINK FAUCETS	<b>73</b>
Z6950 AQUA-FIT SERIO SERIES® - SINGLE POST	<b>42</b>	COVER PLATES AND ADAPTERS	<b>49</b>	SINGLE BASIN FAUCETS	<b>74</b>
Z6950-XL-IM AQUA-FIT SERIO SERIES - SINGLE POST WITH INTEGRAL MIXING VALVE	<b>42</b>	POWER SUPPLIES	<b>49</b>	SINGLE CONTROL FAUCETS	<b>74</b>
Z6951 AQUA-FIT FULMER SERIES® - SINGLE POST	<b>42</b>	HOSES	<b>49</b>	SINGLE LAB FAUCETS	<b>75</b>
Z6953 CAMAYA SERIES®	<b>43</b>	HYDRO GENERATOR	<b>49</b>	DOUBLE LAB FAUCETS	<b>76</b>
Z6955 AQUA-FIT SERIO SERIES - 4" INCH CENTER	<b>43</b>	Z6900 SERIES - ACCESSORIES	<b>50</b>	MISC. LAB FAUCETS	<b>77</b>
Z6956 CUMBERLAND SERIES®	<b>43</b>	<b>AQUASENSE®</b>		SHOWER VALVE BODY	<b>78</b>
Z6957 NACHI SERIES® - WALL MOUNTED	<b>43</b>	<b>FAUCET CROSS REFERENCE GUIDE</b>	<b>50</b>	MISC. FAUCETS	<b>78</b>
FAUCET ACCESSORIES AQUA-FIT® Z6950 SERIO SERIES®	<b>44</b>	<b>AQUASPEC® FAUCET BUILDER</b>	<b>51</b>	BEDPAN WASHERS	<b>78</b>
AERATOR OPTIONS FOR AQUA-FIT SERIES	<b>45</b>	<b>AQUASPEC®</b>		SINK AND SERVICE SINK FAUCETS	<b>79</b>
ADDITIONAL POWER OPTIONS FOR AQUA-FIT SERIES	<b>45</b>	<b>COMMERCIAL PRODUCT SUFFIXES</b>	<b>57</b>	PRE-RINSE UNITS	<b>81</b>
<b>SENSOR SOAP DISPENSERS</b>	<b>45</b>	<b>AQUASPEC® COMMERCIAL PRODUCTS</b>	<b>59</b>	SPRAY HOSES	<b>82</b>
SOAP DISPENSERS	<b>45</b>	4" CENTERSET LAVATORY FAUCETS	<b>59</b>	TURRETS	<b>82</b>
<b>AQUASENSE®</b>		4" CENTERSET GOOSENECK FAUCETS	<b>59</b>	VALVES	<b>82</b>
<b>E-Z SENSOR-OPERATED FAUCETS</b>	<b>46</b>	4" CENTERSET CAST SPOUT FAUCETS	<b>60</b>	FOOT PEDAL VALVE	<b>83</b>
FAUCET ORDERING INSTRUCTIONS	<b>46</b>	4" CENTERSET TUBULAR SPOUT FAUCETS	<b>60</b>	SUPPLY STOPS	<b>83</b>
AQUASENSE® Z6913 SERIES - SINGLE HOLE SENSOR FAUCET	<b>46</b>	4" CENTERSET DOUBLE-JOINTED SPOUT FAUCETS	<b>60</b>	MISCELLANEOUS ACCESSORIES	<b>83</b>
AQUASENSE® Z6915 SERIES - 4" CENTERSET SENSOR FAUCET	<b>46</b>	4" CENTERSET VACUUM BREAKER SPOUT FAUCETS	<b>61</b>	PRE-RINSE ACCESSORIES	<b>84</b>
AQUASENSE® Z6918 SERIES - SINGLE HOLE SENSOR FAUCET	<b>46</b>	4" CENTERSET BENT RISER SPOUT FAUCETS	<b>61</b>	POT FILLERS	<b>84</b>
AQUASENSE® Z6920 SERIES - SINGLE HOLE GOOSENECK SENSOR FAUCET	<b>47</b>	4" CENTERSET METERING FAUCETS	<b>61</b>	POT FILLER ACCESSORIES	<b>84</b>
AQUASENSE® Z6922 SERIES - SINGLE HOLE WALL MOUNT GOOSENECK SENSOR FAUCET	<b>47</b>	SINK GOOSENECK FAUCETS	<b>62</b>	HOSE REEL ACCESSORIES	<b>85</b>
AQUASENSE® Z6930 SERIES - SINGLE HOLE SENSOR FAUCET	<b>47</b>	SINK CAST SPOUT FAUCETS	<b>62</b>	GLASS AND PITCHER FILLERS	<b>85</b>
<b>AQUASENSE® FAUCET ACCESSORIES</b>	<b>48</b>	SINK TUBULAR SPOUT FAUCETS	<b>62</b>	BASKET STRAINERS	<b>85</b>
POWER CONVERTERS FOR SENSOR FAUCETS	<b>48</b>	SINK DOUBLE-JOINTED SPOUT FAUCETS	<b>63</b>	REPAIR PARTS	<b>85</b>
AERATORS FOR Z6913-XL AND Z6915-XL	<b>48</b>	SINK VACUUM BREAKER SPOUT FAUCETS	<b>63</b>	AERATOR ADAPTERS	<b>86</b>
SLIM AERATORS FOR Z6913-XL AND Z6915-XL	<b>48</b>	WIDESPREAD GOOSENECK FAUCETS	<b>65</b>	CERAMIC DISC XL CARTRIDGES	<b>86</b>
AERATORS FOR Z6920-XL AND Z6922-XL	<b>48</b>	WIDESPREAD CAST SPOUT FAUCETS	<b>65</b>	SINGLE CONTROL MIXING CARTRIDGES	<b>86</b>
AERATORS FOR Z6930-XL, Z6950-XL, Z6950-XL-IM AND Z6951-XL	<b>48</b>	WIDESPREAD TUBULAR SPOUT FAUCETS	<b>66</b>	COVER PLATES	<b>86</b>
MIXING TEE AND MIXING VALVES	<b>49</b>	WIDESPREAD BENT RISER SPOUT FAUCETS	<b>66</b>	MIXING YOKES	<b>86</b>
		WIDESPREAD VACUUM BREAKER FAUCETS	<b>67</b>	BODY ASSEMBLY PARTS AND MOUNTING HARDWARE	<b>86</b>
		WIDESPREAD METERING FAUCETS	<b>67</b>	SUPPLY ARMS	<b>87</b>
		DECK-MOUNTED FAUCETS	<b>68</b>	METERING PARTS	<b>87</b>
		BACK-MOUNTED FAUCETS	<b>68</b>	HANDLE PARTS	<b>87</b>
		WALL-MOUNTED FAUCETS	<b>68</b>	SINGLE HANDLES	<b>87</b>
		KITCHEN SINK FAUCETS	<b>70</b>	PAIR OF HANDLES	<b>87</b>
		SERVICE SINK FAUCETS	<b>71</b>	METERING HANDLES	<b>87</b>
				SPOUTS	<b>88</b>
				SPOUT PARTS	<b>88</b>
				LEAD-FREE (XL) SPOUTS	<b>88</b>

## AQUA-FIT® SENSOR FAUCET SYSTEMS

The Aqua-FIT Sensor Faucets are available in standard battery, hardwired, plug-in, and lithium long life 10+ year battery options. The Aqua-FIT platform is built on commonized internal parts that allow for quick and easy faucet design upgrades in retrofit applications.

PRODUCT NO.	DESCRIPTION	UPC	LIST PRICE
<b>Z6950 Aqua-FIT Serio Series® - Single Post</b>			
Z6950-XL-S	Sensor Faucet w/ 1.5 gpm Aerator (Chrome Finish)	670240967342	1,437.00
Z6950-XL-S-F	Sensor Faucet w/ 0.5 gpm Spray Outlet (Chrome Finish)	670240967434	1,437.00
Z6950-XL-S-CP4	Sensor Faucet w/ 4" Cover Plate (Chrome Finish)	-	1,536.00
Z6950-XL-S-CP4-F	Sensor Faucet w/ 0.5 gpm Spray Outlet and 4" Cover Plate (Chrome Finish)	670240973138	1,536.00
Z6950-XL-S-CWB	Sensor Faucet w/ Connecting Wire for Plug-In or Hardwired Applications (Chrome Finish)	-	1,450.00
Z6950-XL-S-CWB-F	Sensor Faucet w/ Connecting Wire for Plug-In or Hardwired Applications and 0.5 gpm Spray Outlet (Chrome Finish)	670240973152	1,450.00
Z6950-XL-S-CP8	Sensor Faucet w/ 8" Cover Plate (Chrome Finish)	-	1,547.00
Z6950-XL-S-MT	Sensor Faucet w/ Mixing Tee (Chrome Finish)	-	1,530.00
Z6950-XL-S-CP4-MT	Sensor Faucet w/ 4" Cover Plate and Mixing Tee (Chrome Finish)	-	1,631.00
Z6950-XL-S-CP8-MT	Sensor Faucet w/ 8" Cover Plate and Mixing Tee (Chrome Finish)	-	1,640.00
Z6950-XL-S-MV	Sensor Faucet w/ Mixing Valve (Chrome Finish)	-	1,552.00
Z6950-XL-S-CP4-MV	Sensor Faucet w/ 4" Cover Plate and Mixing Valve (Chrome Finish)	-	1,653.00
Z6950-XL-S-CP8-MV	Sensor Faucet w/ 8" Cover Plate and Mixing Valve (Chrome Finish)	-	1,663.00
Z6950-XL-S-TMV-1	Sensor Faucet w/ Thermostatic Mixing Valve (Chrome Finish)	-	1,839.00
Z6950-XL-S-CP4-TMV-1	Sensor Faucet w/ 4" Cover Plate and Thermostatic Mixing Valve (Chrome Finish)	-	1,937.00
<b>Z6950-XL-IM Aqua-FIT Serio Series - Single Post with Integral Mixing Valve</b>			
Z6950-XL-IM-S	Sensor Faucet w/ 1.5 gpm Aerator (Chrome Finish)	670240967335	1,650.00
Z6950-XL-IM-S-F	Sensor Faucet w/ 0.5 gpm Spray Outlet (Chrome Finish)	670240967458	1,650.00
Z6950-XL-IM-S-CP4	Sensor Faucet w/ 4" Cover Plate (Chrome Finish)	-	1,748.00
Z6950-XL-IM-S-CP4-F	Sensor Faucet w/ 0.5 gpm Spray Outlet and 4" Cover Plate (Chrome Finish)	889934000153	1,748.00
Z6950-XL-IM-S-CWB	Sensor Faucet w/ Connecting Wire for Plug-In or Hardwired Applications (Chrome Finish)	-	1,660.00
Z6950-XL-IM-S-CWB-F	Sensor Faucet w/ Connecting Wire for Plug-In or Hardwired Applications and 0.5 gpm Spray Outlet (Chrome Finish)	670240003903	1,660.00
Z6950-XL-IM-S-CP8	Sensor Faucet w/ 8" Cover Plate (Chrome Finish)	-	1,758.00
<b>Z6951 Aqua-FIT Fulmer Series® - Single Post</b>			
Z6951-XL	Sensor Faucet (Chrome Finish)	-	834.00
Z6951-XL-BN	Sensor Faucet (Brushed Nickel Finish)	-	960.00
Z6951-XL-E	Sensor Faucet w/ 1.5 gpm vandal-resistant aerator (Chrome Finish)	889934082548	834.00
Z6951-XL-F	Sensor Faucet w/ 0.5 gpm vandal-resistant aerator (Chrome Finish)	889934082531	834.00
Z6951-XL-K-LL	Sensor Faucet w/ Long Life Battery (Chrome Finish)	889934083064	1,015.00
Z6951-XL-CP4	Sensor Faucet w/ 4" cover plate (Chrome Finish)	-	932.00
Z6951-XL-CP4-F	Sensor Faucet w/ 4" cover plate (Chrome Finish)	-	932.00
Z6951-XL-CWB	Sensor Faucet w/ Connector wire for hardwire (Chrome Finish)	-	844.00
Z6951-XL-CWB-F	Sensor Faucet w/ Connector wire for hardwire (Chrome Finish)	-	844.00
Z6951-XL-CP8	Sensor Faucet w/ 8" cover plate (Chrome Finish)	-	944.00
Z6951-XL-MT	Sensor Faucet w/ Mixing tee (Chrome Finish)	-	928.00
Z6951-XL-CP4-MT	Sensor Faucet w/ 4" cover, mixing tee (Chrome Finish)	-	1,028.00
Z6951-XL-CP8-MT	Sensor Faucet w/ 8" cover, mixing tee (Chrome Finish)	-	1,038.00
Z6951-XL-MV	Sensor Faucet w/ Temperature mixing valve (Chrome Finish)	-	944.00
Z6951-XL-CP4-MV	Sensor Faucet w/ 4" cover, mixing valve (Chrome Finish)	-	1,042.00
Z6951-XL-CP8-MV	Sensor Faucet w/ 8" cover, mixing valve (Chrome Finish)	-	1,054.00
Z6951-XL-TMV-1	Sensor Faucet w/ TMV for single faucet (Chrome Finish)	-	1,235.00
Z6951-XL-CP4-TMV-1	Sensor Faucet w/ 4" cover, TMV (Chrome Finish)	-	1,334.00



Z6950-XL-S



Z6950-XL-IM-S



Z6951-XL

PRODUCT NO.	DESCRIPTION	UPC	LIST PRICE
<b>Z6953 Camaya Series®</b>			
Z6953-XL	Sensor Faucet (Chrome Finish)	-	1,795.00
Z6953-XL-BN	Sensor Faucet (Brushed Nickel Finish)	-	2,065.00
Z6953-XL-CV	Sensor Faucet hardwired w/ ceramic valve (Chrome Finish)	-	1,961.00
Z6953-XL-CV-BN	Sensor Faucet hardwired w/ ceramic valve (Brushed Nickel Finish)	-	2,255.00
Z6953-XL-CV-FS	Sensor Faucet hardwired w/ ceramic valve, 0.5 gpm aerator (Chrome Finish)	-	1,961.00
<b>Z6955 Aqua-FIT Serio Series - 4" Inch Center</b>			
Z6955-XL-S	Sensor Faucet w/ 1.5 gpm Aerator (Chrome Finish)	670240931985	1,437.00
Z6955-XL-S-F	Sensor Faucet w/ 0.5 gpm Spray Outlet (Chrome Finish)	670240967441	1,437.00
Z6955-XL-S-CWB	Sensor Faucet w/ Connecting Wire for Plug-In or Hardwired Applications (Chrome Finish)	-	1,450.00
Z6955-XL-S-CWB-F	Sensor Faucet w/ Connecting Wire for Plug-In or Hardwired Applications and 0.5 gpm Spray Outlet (Chrome Finish)	889934000108	1,450.00
Z6955-XL-S-MT	Sensor Faucet w/ Mixing Tee (Chrome Finish)	-	1,530.00
Z6955-XL-S-MV	Sensor Faucet w/ Mixing Valve (Chrome Finish)	-	1,552.00
Z6955-XL-S-TMV-1	Sensor Faucet w/ Thermostatic Mixing Valve (Chrome Finish)	-	1,839.00
<b>Z6956 Cumberland Series®</b>			
Z6956-XL	Sensor Faucet (Chrome Finish)	-	1,795.00
Z6956-XL-BN	Sensor Faucet (Brushed Nickel Finish)	-	2,065.00
Z6956-XL-CV	Sensor Faucet hardwired w/ ceramic valve (Chrome Finish)	-	1,961.00
Z6956-XL-CV-BN	Sensor Faucet hardwired w/ ceramic valve (Brushed Nickel Finish)	-	2,255.00
Z6956-XL-CV-FS	Sensor Faucet hardwired w/ ceramic valve, 0.5 gpm aerator (Chrome Finish)	-	1,961.00
<b>Z6957 Nachi Series® - Wall Mounted</b>			
Z6957-XL	Sensor Faucet (Chrome Finish)	-	920.00
Z6957-XL-BN	Sensor Faucet (Brushed Nickel Finish)	-	965.00
Z6957-XL-N	Sensor Faucet w/ 0.5 gpm laminar aerator (Chrome Finish)	-	920.00
Z6957-XL-F	Sensor Faucet w/ 0.5 gpm aerator (Chrome Finish)	-	920.00
Z6957-XL-MV	Sensor Faucet w/ Temperature mixing valve (Chrome Finish)	-	1,030.00
Z6957-XL-TMV-1	Sensor Faucet w/ TMV for single faucet (Chrome Finish)	-	1,321.00



Z6953-XL



Z6955-XL-S



Z6956-XL



Z6957-XL

When ordering parts, always list product number and description.  
 XL suffix denotes a Lead-free product.

For additional product information, please visit [www.zurn.com](http://www.zurn.com).

PRODUCT NO.	DESCRIPTION	UPC	LIST PRICE
<b>Faucet Accessories Aqua-FIT® Z6950 Serio Series®</b>			
P6950-XL-S-1	Z6950-XL Spout Assembly with Sensor & Shank Base	670240963221	642.00
P6955-XL-S-1	Z6955-XL Spout Assembly with Sensor Shank Base	670240963214	642.00
P6950-XL-S-IM-1	Z6950-XL-IM Spout Assembly with Sensor Shank Base	670240963238	855.00
P6950-XL-SPOUT	Z6950-XL Spout Assembly with Sensor (LESS BASE SHANK)	670240963269	515.00
P6955-XL-SPOUT	Z6955-XL Spout Assembly with Sensor (LESS BASE SHANK)	670240963252	515.00
P6950-XL-IM-SPOUT	Z6950-XL-IM Spout Assembly with Sensor (LESS BASE SHANK)	670240963245	683.00
P6950-XL-B	Spout shank base for Z6950/Z6955-XL	670240963276	130.00
P6950-XL-IM-B	Spout shank base on Z6950-XL-IM	670240963283	171.00
P6950-XL-42	Z6950/Z6950-XL-IM Spout base gasket	670240963290	13.00
P6950-XL-44	Z6955-XL Spout base gasket	670240963306	19.00
P6950-XL-B-L	Electronics Box with Solenoid - Z6950/55-XL	889934091670	732.00
P6950-XL-IM-B-L	Electronics Box with Solenoid - Z6950-XL-IM	670240963313	1,127.00
P6950-XL-Y	Y pipe adaptor for Z6950-XL-IM model	670240963337	53.00
P6950-XL-H	Mixing Handle for Z6950-XL-IM model	670240963344	19.00
P6950-XL-C	Mixing handle plug/cap for Z6950-XL-IM model	-	8.00
P6950-XL-OS	Handle O-ring & Handle Screw Z6950-XL-IM	670240963481	7.00
P6950-XL-YC	Y Cable Adaptor Z6950-XL-IM	670240963498	64.00
P6950-XL-DC	Modular DC pigtail cable for Plug-In & Hardwired Units	670240963504	118.00
P6950-CP4	4" Cast Cover Plate w/ Gasket	670240963511	100.00
P6950-CP8	8" Cast Cover Plate w/ Gasket	670240963528	111.00
P6950-XL-EL	Z6950 Sensor Assembly	670240963559	176.00
P6950-SRK	Replacement Solenoid	670240963320	141.00

FLUSH VALVES

FAUCETS

TEMP-GARD®

TUBULAR BRASS

FIXTURES

AQUAPARTS® REPAIR PARTS  
AND ASSEMBLIES

PRODUCT NO.	DESCRIPTION	UPC	LIST PRICE
<b>Aerator Options for Aqua-FIT Series</b>			
P6930-20E	1.5 gpm aerator	670240809130	27.00
P6930-20J	1.5 Laminar gpm	670240809154	27.00
P6930-20L	1.0 gpm aerator	670240809185	27.00
P6930-20K	1.0 Laminar gpm	670240809178	27.00
P6930-20F	0.5 gpm Spray Outlet	670240809147	27.00
P6930-20M	0.35 gpm Spray Outlet	670240809192	27.00
<b>Additional Power Options for Aqua-FIT Series</b>			
-LL	Lithium Long Life Battery Option		183.00
-ACA	DC Plug-In		81.00
-CWB	Connecting Wire for Plug-In or Hardwired Applications		13.00
P6000-HW6	Power converter (HW)		144.00

## SENSOR SOAP DISPENSERS

PRODUCT NO.	DESCRIPTION	UPC	LIST PRICE (POLISHED CHROME)	LIST PRICE (BRUSHED NICKEL) (-BN)
<b>Soap Dispensers</b>				
Z6950-SD	Sensor Soap Dispenser - Serio Series®	-	925.00	971.00
Z6951-SD	Sensor Soap Dispenser - Fulmer Series®	-	947.00	995.00
Z6953-SD	Sensor Soap Dispenser - Camaya Series®	-	1,303.00	1,350.00
Z6956-SD	Sensor Soap Dispenser - Cumberland Series®	-	1,316.00	1,363.00
Z6957-SD	Sensor Soap Dispenser - Nachi Series®	-	891.00	939.00



Z6950-SD



Z6951-SD



Z6953-SD



Z6956-SD



Z6957-SD

# AQUASENSE® E-Z SENSOR-OPERATED FAUCETS

## Faucet Ordering Instructions

The models and prices shown on this page are battery faucet prices. AquaSense Z6900 series faucets can be furnished as battery powered, plug-in powered, or hardwired, except the Z6918-XL which is battery only.

To order a plug-in model faucet, add the suffix -ACA (AC Adapter) after the faucet model number, i.e. Z6913-XL-ACA, and then the desired accessories.

To order a hardwire model faucet, add the suffix -CWB (Connecting Wire) after the faucet model number, i.e. Z6915-XL-CWB, and then the desired accessories. On a separate line, order the appropriate number of P6000-HW6 hardwire power converters

One P6000-HW6 will power up to eight Z6900 series faucets.

Note: All faucets are supplied with 1.5 gpm (-E) vandal-proof aerator as standard.

PRODUCT NO.	DESCRIPTION	UPC	LIST PRICE
<b>AquaSense® Z6913 Series - Single Hole Sensor Faucet</b>			
Z6913-XL	w/ 1.5 gpm Aerator	670240381346	1,187.00
Z6913-XL-GEN	w/ 1.5 gpm Aerator and HydroGenerator	670240383616	1,489.00
Z6913-XL-CP4	w/ 4" Cover Plate	670240497122	1,285.00
Z6913-XL-MT	w/ Mixing Tee	670240864597	1,281.00
Z6913-XL-CP4-MT	w/ 4" Cover Plate and Mixing Tee	670240850248	1,380.00
Z6913-XL-CP8	w/ 8" Cover Plate	670240869486	1,296.00
Z6913-XL-CP8-MT	w/ 8" Cover Plate and Mixing Tee	670240972698	1,390.00
Z6913-XL-MV	w/ Mixing Valve	670240385481	1,303.00
Z6913-XL-CP4-MV	w/ 4" Cover Plate and Mixing Valve	670240389953	1,402.00
Z6913-XL-CP8-MV	w/ 8" Cover Plate and Mixing Valve	670240000865	1,412.00
Z6913-XL-CP4-TMV-1	w/ 4" Cover Plate and Thermostatic Mixing Valve	670240845336	1,990.00
Z6913-XL-CP8-TMV-1	w/ 8" Cover Plate and Thermostatic Mixing Valve	670240871854	1,699.00
Z6913-XL-ADM	w/ Above Deck Mixer	-	1,614.00
Z6913-XL-ADM-1	w/ Above Deck Mixer and 4" Cover Plate	670240931312	1,712.00
Z6913-XL-ADM-2	w/ Above Deck Mixer and 8" Cover Plate	-	1,641.00
<b>AquaSense® Z6915 Series - 4" Centerset Sensor Faucet</b>			
Z6915-XL	w/ 1.5 gpm Aerator	670240381599	1,187.00
Z6915-XL-GEN	w/ 1.5 gpm Aerator and HydroGenerator	670240384293	1,489.00
Z6915-XL-MT	w/ Mixing Tee	670240706385	1,281.00
Z6915-XL-MV	w/ Mixing Valve	670240384316	1,303.00
Z6915-XL-TMV-1	w/ Thermostatic Mixing Valve	670240384583	1,512.00
<b>AquaSense® Z6918 Series - Single Hole Sensor Faucet</b>			
Z6918-XL	w/ 1.5 gpm Aerator	670240925175	1,319.00
Z6918-XL-ADM	w/ Above Deck Mixer	670240925793	1,747.00



PRODUCT NO.	DESCRIPTION	UPC	LIST PRICE
<b>AquaSense® Z6920 Series - Single Hole Gooseneck Sensor Faucet</b>			
Z6920-XL	w/ 1.5 gpm Aerator	670240381902	1,187.00
Z6920-XL-GEN	w/ 1.5 gpm Aerator and HydroGenerator	670240383654	1,489.00
Z6920-XL-CP4	w/ 4" Cover Plate	670240386051	1,285.00
Z6920-XL-CP4-MT	w/ 4" Cover Plate and Mixing Tee	670240028524	1,380.00
Z6920-XL-CP8	w/ 8" Cover Plate	670240381919	1,296.00
Z6920-XL-CP8-MT	w/ 8" Cover Plate and Mixing Tee	670240029415	1,390.00
Z6920-XL-MT	w/ Mixing Tee	670240941861	1,281.00
Z6920-XL-MV	w/ Mixing Valve	670240385573	1,296.00
Z6920-XL-CP4-MV	w/ 4" Cover Plate and Mixing Valve	670240700192	1,395.00
Z6920-XL-CP8-MV	w/ 8" Cover Plate and Mixing Valve	670240702981	1,406.00
Z6920-XL-TMV-1	w/ Thermostatic Mixing Valve	670240447639	1,588.00
Z6920-XL-CP4-TMV-1	w/ 4" Cover Plate and Thermostatic Mixing Valve	670240687417	1,687.00
Z6920-XL-CP8-TMV-1	w/ 8" Cover Plate and Thermostatic Mixing Valve	670240687981	1,699.00
Z6920-XL-ADM	w/ Above Deck Mixer	670240864634	1,613.00
Z6920-XL-ADM-1	w/ Above Deck Mixer and 4" Cover Plate	670240388109	1,532.00
Z6920-XL-ADM-2	w/ Above Deck Mixer and 8" Cover Plate	670240862784	1,720.00
<b>AquaSense® Z6922 Series - Single Hole Wall Mount Gooseneck Sensor Faucet</b>			
Z6922-XL	w/ 1.5 gpm Aerator	670240956407	1,320.00
Z6922-XL-GEN	w/ 1.5 gpm Aerator and HydroGenerator	670240028555	1,439.00
Z6922-XL-SO	w/ 1.0 gpm Spray Outlet	670240958197	1,394.00
Z6922-XL-SB	w/ 8" Spout	-	1,387.00
Z6922-XL-SB-SO	w/ 8" Spout and 1.0 gpm Spray Outlet	-	1,462.00
<b>AquaSense® Z6930 Series - Single Hole Sensor Faucet</b>			
Z6930-XL	w/1.5 gpm Aerator	670240810419	1,187.00
Z6930-XL-GEN	w/ 1.5 gpm Aerator and HydroGenerator	670240810495	1,489.00
Z6930-XL-F	w/ 0.5 gpm Aerator	670240812161	1,187.00
Z6930-XL-CP4	w/ 4" Cover Plate	670240812130	1,187.00
Z6930-XL-CP4-F	w/ 0.5 gpm Spray Outlet and 4" Cover Plate	670240812222	1,285.00
Z6930-XL-CWB	w/ Connecting Wire for Plug-In or Hardwired Applications	670240812260	1,285.00
Z6930-XL-CWB-F	w/ Connecting Wire for Plug-In or Hardwired Applications and 0.5 gpm Spray Outlet	670240812277	1,299.00
Z6930-XL-CP8	w/ 8" Cover Plate	670240812246	1,299.00
Z6930-XL-MT	w/ Mixing Tee	670240812116	1,296.00
Z6930-XL-CP4-MT	w/ 4" Cover Plate and Mixing Tee	670240812284	1,281.00
Z6930-XL-CP8-MT	w/ 8" Cover Plate and Mixing Tee	670240812291	1,380.00
Z6930-XL-MV	w/ Mixing Valve	670240812307	1,390.00
Z6930-XL-CP4-MV	w/ 4" Cover Plate and Mixing Valve	670240812314	1,303.00
Z6930-XL-CP8-MV	w/ 8" Cover Plate and Mixing Valve	670240812321	1,402.00
Z6930-XL-TMV-1	w Thermostatic Mixing Valve	670240812338	1,412.00
Z6930-XL-CP4-TMV-1	w/ 4" Cover Plate and Thermostatic Mixing Valve	670240812345	1,588.00
Z6930-XL-ADM	w/ Above Deck Mixer	670240812352	1,990.00
Z6930-XL-ADM-1	1.5 gpm	670240812369	1,614.00
Z6930-XL-ADM-2	w/ Above Deck Mixer and 8" Cover Plate	670240812376	1,712.00



Z6920-XL



Z6920-XL-GEN



Z6922-XL  
Wall Mount



Z6922-XL-GEN



Z6930-XL



Z6930-XL-GEN



# AQUASENSE® FAUCET ACCESSORIES

PRODUCT NO.	DESCRIPTION	UPC	LIST PRICE
<b>Power Converters for Sensor Faucets</b>			
<b>P6900-ACA</b>	6 VDC A/C Plug-In Adapter for Battery Faucets Z6913-XL, Z6915-XL, Z6920-XL, Z6922-XL, Z6930-XL, Z6950-XL, Z6950-XL-IM, Z6951-XL and Z6955-XL	670240582446	<b>81.00</b>
<b>P6900-CWB</b>	Connecting Wire for Power Converter Z6913-XL, Z6915-XL, Z6920-XL, Z6922-XL, Z6930-XL, Z6950-XL, Z6950-XL-IM, Z6951-XL and Z6955-XL	670240586000	<b>12.00</b>
<b>P6000-HW6</b>	Hardwired Power Converter for Z6913-XL, Z6915-XL, Z6920-XL, Z6922-XL, Z6930-XL, Z6950-XL, Z6950-XL-IM, Z6951-XL and Z6955-XL	670240533608	<b>144.00</b>
<b>Aerators for Z6913-XL and Z6915-XL</b>			
<b>P6900-20E</b>	1.5 gpm Standard Vandal-Resistant Aerator	670240606852	<b>45.00</b>
<b>P6900-20E-CG</b>	1.5 gpm AntiMicrobial Vandal Resistant Aerator	670240356580	<b>45.00</b>
<b>P6900-20F</b>	0.5 gpm Vandal-Resistant Spray Outlet	670240600850	<b>45.00</b>
<b>P6900-20J</b>	1.5 gpm Vandal-Resistant Laminar Flow Outlet	670240245266	<b>45.00</b>
<b>P6900-20K</b>	1.0 gpm Vanda-Resistant Laminar Flow Outlet	670240252936	<b>45.00</b>
<b>P6900-20L</b>	1.0 gpm Vanda-Resistant Aerator	670240261204	<b>45.00</b>
<b>P6900-20M</b>	0.35gpm Vandal-Resistant Spray Outlet	670240290334	<b>45.00</b>
<b>P6900-20N</b>	0.5 gpm Vandal-Resistant Laminar Outlet	670240834163	<b>45.00</b>
<b>Slim Aerators for Z6913-XL and Z6915-XL</b>			
<b>P6900-20ES</b>	1.5 gpm Aerator	670240818750	<b>27.00</b>
<b>P6900-20FS</b>	0.5 gpm Spray Outlet	670240822481	<b>27.00</b>
<b>P6900-20JS</b>	1.5 gpm Laminar Flow Outlet	670240822573	<b>27.00</b>
<b>P6900-20LS</b>	1.0 gpm Aerator	670240822580	<b>27.00</b>
<b>P6900-20MS</b>	0.35 gpm spray outlet	670240822603	<b>27.00</b>
<b>Aerators for Z6920-XL and Z6922-XL</b>			
<b>P6900-20E-GN</b>	1.5 gpm Standard Vandal-Resistant Aerator	670240261389	<b>55.00</b>
<b>P6900-20E-GN-CG</b>	1.5 gpm AntiMicrobial Vandal Resistant Aerator	670240356566	<b>55.00</b>
<b>P6900-20F-GN</b>	0.5 gpm Vandal-Resistant Spray Outlet	670240609099	<b>55.00</b>
<b>P6900-20-GN</b>	1.5 gpm Vandal-Resistant Laminar Flow Outlet	670240417052	<b>55.00</b>
<b>P6900-20J-GN</b>	1.0 gpm Vanda-Resistant Laminar Flow Outlet	670240245273	<b>55.00</b>
<b>P6900-20K-GN</b>	1.0 gpm Vanda-Resistant Aerator	670240258860	<b>55.00</b>
<b>P6900-20L-GN</b>	0.5 gpm Vandal-Resistant Laminar Outlet	670240442405	<b>55.00</b>
<b>P6900-20M-GN</b>	0.35gpm Vandal-Resistant Aerator	670240709058	<b>55.00</b>
<b>Aerators for Z6930-XL, Z6950-XL, Z6950-XL-IM and Z6951-XL</b>			
<b>P6930-20E</b>	1.5 gpm Aerator	670240809130	<b>27.00</b>
<b>P6930-20F</b>	0.5 gpm Spray Outlet	670240809147	<b>27.00</b>
<b>P6930-20J</b>	1.5 gpm Laminar Flow Outlet	670240809154	<b>27.00</b>
<b>P6930-20K</b>	1.0 gpm Laminar Flow Outlet	670240809178	<b>27.00</b>
<b>P6930-20L</b>	0.5 gpm Laminar Outlet	670240809185	<b>27.00</b>
<b>P6930-20M</b>	0.35gpm Aerator	670240809192	<b>27.00</b>
<b>P6930-20N</b>	0.5 gpm Laminar Outlet	670240834156	<b>27.00</b>



P6900-20E



P6900-20F



P6900-20F-GN



P6900-S0

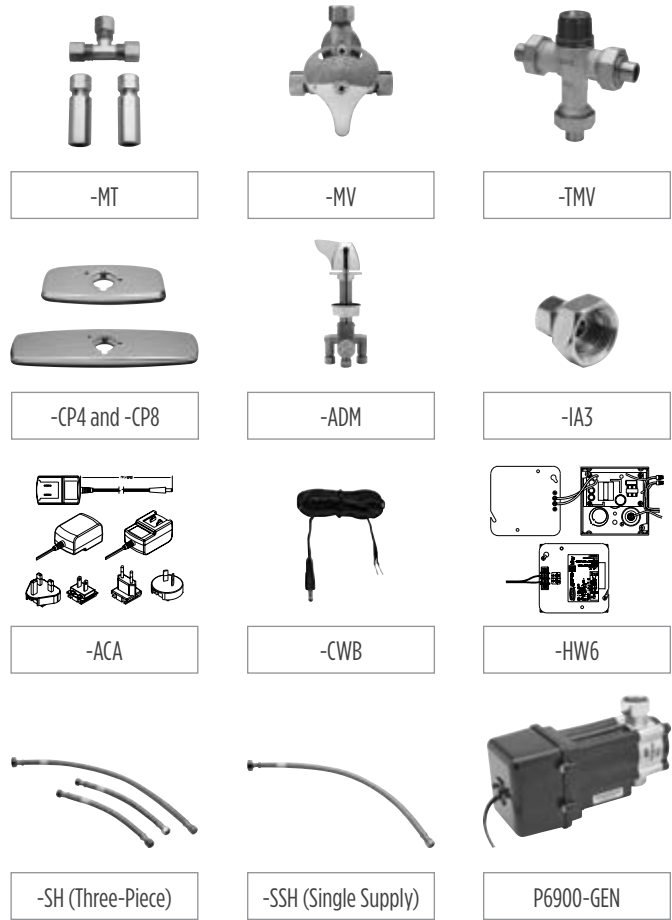
PRODUCT NO.	DESCRIPTION	UPC	LIST PRICE
<b>Mixing Tee and Mixing Valves</b>			
P6900-ADM-XL	Above Deck Mixing Valve (XL)	670240861817	428.00
P6900-ADM-1-XL	Above Deck Mixing Valve (XL) w 4" Cover Plate	670240861824	416.00
P6900-ADM-2-XL	Above Deck Mixing Valve (XL) w 8" Cover Plate	670240861831	504.00
P6900-MT-XL	Mixing Tee Assembly with Back Checks	670240847248	96.00
P6900-MV-XL	Lead-Compliant Manual Mixing Valve	670240387010	117.00
P6900-TMV-XL	Thermostatic Mixing Valve for Multiple Faucets – 8 gpm Flow	670240950849	487.00
P6900-TMV-1-XL	Lead Compliant Thermostatic Mixing Valve for Single Faucet	670240387003	403.00
<b>Goosenecks</b>			
P6900-GA	3-1/2" Centerline Gooseneck Spout (With 1.5 gpm Vandal-Proof Aerator)	670240554153	88.00
P6900-GB	5-3/8" Centerline Gooseneck Spout (With 1.5 gpm Vandal-Proof Aerator)	670240537750	101.00
P6900-GC	8" Centerline Gooseneck Spout (With 1.5 gpm Vandal-Proof Aerator)	670240563377	155.00
<b>Cover Plates and Adapters</b>			
P6900-CP4	4" Cover Plate	670240586758	100.00
P6900-CP8	8" Cover Plate	670240586765	111.00
P6900-MV-ADAP	Adaptor for MV, MT and TMV options	670240847583	19.00
P6900-IA3	1/2" x 3/8" Faucet Shank Adapter	670240424104	19.00
<b>Power Supplies</b>			
P6900-ACA-BA	6 VDC A/C Plug-In Adapter	670240582446	81.00
P6900-CWB	Connecting Wire for Power Converter	670240586000	12.00
P6000-HW6	6 VDC A/C Hardwire Power Converter	670240533608	144.00
P6000-HW9	9 VDC A/C Hardwire Power Converter	670240357754	144.00
P6000-HW12	12 VDC Hardwire Power Converter	-	321.00
<b>Hoses</b>			
P6900-SH	Three-Piece Supply Hose Assembly	670240415935	106.00
P6900-SSH	Single Supply Hose (XL)	670240432789	39.00
<b>Hydro Generator</b>			
P6900-GEN	Hydro Generator	670240404151	304.00



When ordering parts, always list product number and description.  
 XL suffix denotes a Lead-free product.

For additional product information, please visit [www.zurn.com](http://www.zurn.com).

SUFFIX	DESCRIPTION	LIST PRICE
<b>Z6900 Series - Accessories</b>		
-ACA	6 VDC A/C Plug-In Adapter for Battery Faucets Z6913-XL, Z6915-XL, Z6920-XL, Z6922-XL, Z6930-XL, Z6950-XL, Z6951-XL, Z6955-XL	81.00
-ADM	Above-Deck Mixer	428.00
-ADM-1	Above-Deck Mixer with CP4	347.00
-ADM-2	Above-Deck Mixer with CP8	534.00
-CP4	4" Cover Plate	126.00
-CP8	8" Cover Plate	158.00
-CWB	6 VDC A/C Plug-In Adapter for Battery Faucets Z6913-XL, Z6915-XL, Z6920-XL, Z6922-XL, Z6930-XL, Z6950-XL, Z6951-XL, Z6955-XL	12.00
-DSA	Drug Testing Applications	79.00
-E	1.5 gpm Vandal-Proof Aerator	N/C
-F	0.5 gpm Vandal-Proof Aerator	N/C
-GEN	EcoVantage Hydro Generator Power	304.00
-H4	4" Wrist Blade Handle for ADM	27.00
-IA3	1/2" x 3/8" Compression Adapter	19.00
-J	1.5 gpm Laminar Flow	N/C
-K	1.0 gpm Laminar Flow	N/C
-L	1.0 gpm Vandal-Proof Aerator	N/C
-M	0.35 gpm spray outlet	N/C
-MT	Mixing Tee Assembly with Back Checks	96.00
-MV	Manual Mixing Valve	111.00
-SB	Surgical Bend	70.00
-SH	Three-Piece Supply Hose Assembly	100.00
-SO	Spray Outlet (Rose Spray)	74.00
-SSH	Single Supply Hose	39.00
-TMV	Thermostatic Mixing Valve for Multiple Faucets - 8 gpm Flow	487.00
-TMV-1	Thermostatic Mixing Valve for Single Faucet	403.00
-XT	Extended Range	38.00



## AQUASENSE® FAUCET CROSS REFERENCE GUIDE

Zurn Product No.	Sloan® Product No.
<b>Electronic Faucets</b>	
Z6930-XL	EFX-250
Z6913-XL-ACA	ETF-80-P
Z6913-XL	ETF-80-B
Z6913-XL-ACA	ETF-880-P
Z6913-XL	ETF-880-B
Z6922-XL-ACA	ETF-500-P
Z6922-XL	ETF-500-B
Z6915-XL-ACA	ETF-600-P
Z6915-XL	ETF-600-B
Z6913-XL-ACA	ETF-610-P
Z6913-XL	ETF-610-B
Z6913-XL-ACA	ETF-660-P
Z6913-XL	ETF-660-B
Z6920-XL-ACA	ETF-700-P
Z6920-XL	ETF-700-B
Z6920-XL-ACA-SB	ETF-700S-P
Z6920-XL-SB	ETF-700S-B
Z6920-XL-ACA	ETF-770-P
Z6920-XL	ETF-770-B
Z6918-XL	EAF-100-P
Z6918-XL-ADM	EAF-100-ISM-P
Z6918-XL	EAF-200-P
Z6918-XL-ADM	EAF-200-ISM-P
Z6913-XL	SF-2100
Z6920-XL-ACA	SF-2200
Z6915-XL-ACA	SF-2300

Zurn Product No.	Sloan® Product No.
<b>Battery Faucets</b>	
Z6913-XL	EBF-85
Z6913-XL-ACA	EBF-85R
Z6913-XL	EBF-187
Z6913-XL-ACA	EBF-187R
Z6922-XL	EBF-550
Z6913-XL	EBF-615
Z6915-XL	EBF-650
Z6920-XL	EBF-750
Z6920-XL-SB	EBF-750S
Z6918-XL	EAF-150
Z6918-XL-ADM	EAF-150 ISM
Any E-Z Lav EcoVantage® Faucet	EAF-275
Any E-Z Lav EcoVantage® Faucet w/ ADM	EAF-275 ISM
Z6918-XL	EAF-250
Z6918-XL-ADM	EAF-250 ISM
Z6913-XL	SF-2150
Z6920-XL	SF-2250
Z6915-XL	SF-2350
<b>Zurn HydroVantage™ Faucets - Hydro Turbine Powered*</b>	
<b>*Ten-year battery life.</b>	
Z6913-XL-GEN	TEL 36S10/60
Z6915-XL-GEN	-
Z6920-XL-GEN	TEL 36610/60
Z6922-XL-GEN	-
Z6930-XL-GEN	TEL 36S10

# AQUASPEC® FAUCET BUILDER

How to order Zurn AquaSpec component parts to design your own faucet.



## Z8 12 B 4 - 3F-(options)

Step 1 - Select Body and Operating Internals (Digits 2 and 3)	
Z81100	4" Centerset Lavatory Faucet
Z81100-P	4" Centerset Lavatory Faucet with Pop-Up Drain
Z81200	4" Centerset Gooseneck Faucet
Z81200-P	4" Centerset Gooseneck Faucet with Pop-Up Drain
Z82500	Single Laboratory Faucet
Z82600	Double Laboratory Faucet
Z83100	6" to 18" Widespread Adjustable Faucet
Z83100-ICT	8" Widespread Faucet with Interconnecting Copper Supply Tubes
Z84100	Service Sink Faucet with 2-1/2" Swivel Inlets and Integral Stops
Z84200	Sink Faucet with 7-1/4"-8-3/4" Adjustable Short Swivel Inlets
Z87100	Cast 8" Center Deck Kitchen Faucet
Z87100-HS	Cast 8" Center Deck Kitchen Faucet with Hose and Spray

Step 2 - Select Spout Selection (Digit 4)	
A	3-1/2" Centerline Gooseneck Spout
B	5-3/8" Centerline Gooseneck Spout
C	8" Centerline Gooseneck Spout
D	7-1/2" Cast Vacuum Breaker Spout with Bottom Support and Pipe Brace, Threaded Outlet and Pail Hook
E	Wall-Mounted 7-1/2" Cast Spout, Top Brace and Pail Hook
F	6" Cast Spout
G	8" Cast Spout
H	12" Tubular Spout
I	14" Tubular Spout
J	9-1/2" Tubular Spout
K	13" Double Jointed Spout
L	2-1/2" Vacuum Breaker Spout with 3/4" Threaded Outlet
M	6" Vacuum Breaker Spout with 3/4" Threaded Outlet, Brace and Pail Hook
N	6" Vacuum Breaker Spout with 3/4" Threaded Outlet and Pail Hook
P	2-1/2" Vacuum Breaker Spout with 3/8" Threaded Outlet
R	5" Low Profile Spout with Aerated Outlet
S	8" Bent Riser Spout with Aerated Outlet
T	4-1/2" Centerline Vacuum Breaker Spout with Aerated Outlet
U	6" Centerline Vacuum Breaker Spout with Aerated Outlet
V	8" Centerline Vacuum Breaker Spout with Aerated Outlet
W	Pre-rinse 3/8" x 44" Riser with a 7-3/8" Swing Arm, 24" Stainless Steel Hose and Pipe Support
X	Pre-rinse 3/8" x 23" Riser with a 36" Stainless Steel Spring Hose and Pipe Support
Y	6" Tubular Spout

Step 3 - Select Handle Selection (Digit 5)	
1	2-1/2" Vandal-Resistant Metal Lever Handle
2	Vandal-Resistant Metal Four Arm Handle
3	Vandal-Resistant Metal Dome Lever Handle
4	4" Vandal-Resistant Metal Wrist Blade Handle
6	6" Vandal-Resistant Metal Wrist Blade Handle
7	Metal Tee Handle

Step 4 - Select Aerator and Options (Everything after the "-")	

AquaSpec faucets are composed of a body, spout, handle, aerator, and available options. These components come together as a single product sku by following the steps below. Available options are laid out on the following pages.

### Step 1 - Select Faucet Body and Operating Internals (Digits 2 and 3)

### Step 2 - Select Spout Type\* (Digit 4)

*When spout is not required, specify a "zero."*

### Step 3 - Select Handle Type\* (Digit 5)

*When handle is not required, specify a "zero."*

### Step 4 - Select Aerator and Options (Everything after the "-")

*-1F Aerator regularly furnished (-1M for the "S" spout or G60525 for the -T, -U and -V spouts) unless otherwise specified. Neither -1F or -1M is required in product ID when ordering. All others should be noted.*

When ordering parts, always list product number and description.  
XL suffix denotes a Lead-free product.

For additional product information, please visit [www.zurn.com](http://www.zurn.com).

## Step 1 - Select Faucet Body and Operating Internals (Digits 2 and 3)

PRODUCT NO.	DESCRIPTION	UPC	LIST PRICE
Z81100-XL	4" Centerset Lavatory Faucet	670240501737	183.00
Z81100-XL-P	4" Centerset Lavatory Faucet and Pop-Up Drain	670240501720	267.00
Z81200-XL	4" Centerset Gooseneck Faucet	670240365315	206.00
Z81200-XL-P	4" Centerset Gooseneck Faucet and Pop-Up Drain	670240501713	289.00
Z82500-XL	Single Laboratory Faucet	670240691810	182.00
Z82600-XL	Double Laboratory Faucet	670240480735	237.00
Z83100-XL	6" to 18" Widespread Adjustable Faucet	670240365353	331.00
Z83100-XL-ICT	6" to 18" Widespread Adjustable Faucet with Interconnecting Copper Supply Tube	670240500617	331.00
Z84100-XL	Service Sink Faucet with 2-1/2" Swivel Inlets and Integral Stops	670240480766	268.00
Z84200-XL	Sink Faucet with 7-1/4"-8-3/4" Adjustable Short Swivel Inlets	670240501843	285.00
Z84300	Sink Faucet with 7-1/4"-8-3/4" Adjustable Short Swivel Inlets	670240579378	278.00
Z87100-XL	Cast 8" Center Deck Kitchen Faucet	670240365384	258.00
Z87100-XL-HS	Cast 8" Center Deck Kitchen Faucet with Hose and Spray	670240501393	334.00



Z81100-XL



Z81100-XL-P



Z81200-XL



Z81200-XL-P



Z82500-XL



Z82600-XL



Z83100-XL



Z83100-XL-ICT



Z84100-XL



Z84200-XL



Z84300



Z87100-XL



Z87100-XL-HS

## Step 2 - Select Spout Type (Digit 4)

PRODUCT NO.	DESCRIPTION	SUFFIX	UPC	LIST PRICE
G67851	3-1/2" Centerline Gooseneck Spout	A	670240358737	75.00
G67852	5-3/8" Centerline Gooseneck Spout	B	670240358744	78.00
G67853	8" Centerline Gooseneck Spout	C	670240358751	133.00
G67890	6" Cast Brass Spout	F	670240370869	74.00
G67891	8" Cast Brass Spout	G	670240365377	102.00
G67892	12" Tubular Brass Swing Spout	H	670240370876	51.00
G67893	14" Tubular Brass Swing Spout	I	670240370883	62.00
G67894	9-1/2" Tubular Brass Swing Spout	J	670240374751	49.00
G66619	18" Tubular Brass Spout	J-18	670240583535	98.00
G67895	13" Double-Jointed Brass Swing Spout	K	670240370890	204.00
G62494	18" Double-Jointed Spout	K-DJ18	670240460201	215.00
G60526	2-1/2" Vacuum Breaker Spout with Integral 3/4" Hose Thread	L	670240414570	168.00
G60556	6" Centerline Cast Vacuum Breaker Spout with 3/4" Hose Thread	N	670240414617	218.00
G67963	8" Bent Riser Spout	S	670240446373	158.00
G67990	4-1/2" Centerline Vacuum Breaker Spout	T	670240486539	81.00
G67991	6" Centerline Vacuum Breaker Spout	U	670240486546	96.00
G67992	8" Centerline Vacuum Breaker Spout	V	670240486553	103.00
G67964	6" Tubular Brass Spout	Y	670240446380	57.00



G67851 - Spout "A"



G67852 - Spout "B"



G67853 - Spout "C"



G67890 - Spout "F"



G67891 - Spout "G"



G67892 - Spout "H"



G67893 - Spout "I"



G67894 - Spout "J"



G67895 - Spout "K"



G60526 - Spout "L"



G60556 - Spout "N"



G67963 - Spout "S"



G67990 - Spout "T"



G67991 - Spout "U"



G67992 - Spout "V"



G67964 - Spout "Y"

### Step 3 - Select Handle Type (Digit 5)

PRODUCT NO.	DESCRIPTION	SUFFIX	UPC	LIST PRICE
G61071	One 2-1/2" Lever Handle	1	670240418479	23.00
G60501	Two 2-1/2" Lever Handles	1	670240414495	42.00
G61072	One 3" Diameter Four-Arm Handle	2	670240418486	26.00
G60503	Two 3" Diameter Four-Arm Handles	2	670240414501	47.00
G60573	One 2" Dome Lever Handle	3	670240418554	28.00
G60515	Two 2" Dome Lever Handles	3	670240414549	53.00
G60574	One 4" Wrist Blade Handle	4	670240418561	72.00
G60504	Two 4" Wrist Blade Handles	4	670240414518	139.00
G60576	One 6" Wrist Blade Handle	6	670240418509	77.00
G60508	Two 6" Wrist Blade Handles	6	670240414525	150.00



G60501 - Handle "1"



G60503 - Handle "2"



G60515 - Handle "3"



G60504 - Handle "4"



G60508 - Handle "6"



G61701 - Handle "1"



G61702 - Handle "2"



G60573 - Handle "3"



G60574 - Handle "4"



G60576 - Handle "6"



G66684

## Step 4 - Select Aerators and Options (Everything after the "-")

-1F Aerator regularly furnished (-1M for the "S" spout or G60525 for the -I, -U and -V spouts) unless otherwise specified. Neither -1F or -1M is required in product ID when ordering. All others should be noted.

PRODUCT NO.	DESCRIPTION	SUFFIX	FLOW RATE	UPC	LIST PRICE
<b>Female Aerators</b>					
G63504	Pressure Compensating Female Aerator	1F	2.2 gpm	670240511781	12.00
G62619	Vandal-Resistant Female Aerator	2F	.5 gpm	670240426832	23.00
G62620	Vandal-Resistant Female Spray Outlet	3F	2.2 gpm	670240426696	23.00
G62621	Vandal-Resistant Female Laminar Flow Outlet	4F	2.2 gpm	670240426733	41.00
G63509	Female Rosette Spray	5F	2.0 gpm	670240511835	47.00
G63258	Female Serrated Tip for a Male Spout	6F	-	670240458017	32.00
G66696	Pressure Compensating Female Spray Outlet	7F	1.0 gpm	670240659469	38.00
G65509	Female Aspirator Pump for Goosenecks	8F	2.0 gpm	670240540811	158.00
G63511	Female Rotating Aerator	9F	2.0 gpm	670240511859	41.00
G63413	3/4" Female Garden Hose Connection	10F	-	670240499515	23.00
G63512	Female Threaded Single Screen Outlet	11F	-	670240511866	23.00
G66601	Female Spout End Vacuum Breaker for Goosenecks	12F	2.2 gpm	670240545588	81.00
G67774	Female 2.2 gpm Pressure Compensating Laminar Flow Outlet	14F	-	670240611771	23.00
G66697	Vandal-Resistant Pressure Compensating Female Spray Outlet	16F	1.0 gpm	670240664241	29.00
G66695	Vandal-Resistant Pressure Compensating Female Aerator	17F	1.5 gpm	670240659452	28.00
G66700	Vandal-Resistant Pressure Compensating Female Laminar Flow	18F	1.5 gpm	670240664272	30.00
G67795	Anti-Microbial Female Laminar Flow Outlet	19F	1.5 gpm	670240399808	70.00
G67816	Female Laminar Flow Outlet	21F	1.0 gpm	670240232983	30.00
G67817	Vandal-Resistant Female Laminar Flow Outlet	22F	1.0 gpm	670240232990	42.00
G67925	Female Aerator	23F	1.5 gpm	670240379060	42.00
G68013	Non-Aerated Female Flow Outlet	24F	.35 gpm	670240494275	20.00
G68015	Vandal Resistant Non-Aerated Female Flow Outlet	25F	.35 gpm	670240494305	31.00
G68047	Female Laminar Flow Outlet	27F	.5 gpm	670240828551	29.00
G68049	Vandal Resistant Female Laminar Flow Outlet	28F	.5 gpm	670240828575	29.00



G63504 - Aer "-1F"



G62619 - Aer "-2F"



G62620 - Aer "-3F"



G62621 - Aer "-4F"



G63509 - Aer "-5F"



G63258 - Aer "-6F"



G66696 - Aer "-7F"



G63511 - Aer "-9F"



G63413 - Aer "-10F"



G63512 - Aer "-11F"



G67774 - Aer "-14F"



G66625 - Aer "-15F"



G66697 - Aer "-16F"



G66695 - Aer "-17F"



G66700 - Aer "-18F"



G67795 - Aer "-19F"



G67816 - Aer "-21F"



G67817 - Aer "-22F"



G67925 - Aer "-23F"



G68013 - Aer "-24F"



G68015 - Aer "-25F"



PRODUCT NO.	DESCRIPTION	SUFFIX	FLOW RATE	UPC	LIST PRICE
<b>Male Aerators</b>					
G63505	Pressure Compensating Male Aerator	1M	2.2 gpm	670240511798	12.00
G63506	Vandal-Resistant Male Aerator	2M	2.2 gpm	670240511804	23.00
G63507	Vandal-Resistant Male Spray Outlet	3M	0.5 gpm	670240511811	23.00
G63508	Vandal-Resistant Male Laminar Flow Outlet	4M	2.2 gpm	670240511828	41.00
G62753	Male Rosette Spray	5M	2.0 gpm	670240452268	47.00
G61318	Male Serrated Tip for a Female Spout	6M	-	670240418431	32.00
G63561	13/16"-27 Male Spray Outlet	7M	1.0 gpm	670240526679	12.00
G65508	Male Aspirator Pump for Laboratory Spouts (T, U, V)	8M	-	670240540828	159.00
G63411	Male Rotating Aerator	9M	2.0 gpm	670240499478	41.00
G63414	3/4" Male Garden Hose Connection	10M	-	670240499522	23.00
G63384	Male Threaded Single Screen Outlet	11M	-	670240472433	23.00
G66602	Male Spout End Vacuum Breaker for Laboratory Spouts (T, U, and V)	12M	-	670240545595	81.00
G60525	Aerator P Adapter for the T, U, and V Spouts	13M	2.0 gpm	670240418615	12.00
G67775	Pressure Compensating Laminar Flow Outlet	14M	2.2 gpm	670240611788	23.00
G66698	Vandal-Resistant Pressure Compensating Male Spray Outlet	15M	-	670240664258	29.00
G66699	Vandal-Resistant Pressure Compensating Male Aerator	16M	1.0 gpm	670240664265	28.00
G66701	Vandal-Resistant Pressure Compensating Male Laminar Flow	17M	1.5 gpm	670240664289	30.00
G67796	Anti-Microbial Male Laminar Flow Outlet	18M	1.5 gpm	670240399815	70.00
G67814	Male Laminar Flow Outlet	19M	1.5 gpm	670240232969	30.00
G67815	Vandal-Resistant Male Laminar Flow Outlet	21M	1.0 gpm	670240232976	42.00
G67924	Male Aerator	22M	1.0 gpm	670240379046	42.00
G68012	Non-Aerated Male Flow Outlet	23M	1.5 gpm	670240494244	17.00
G68014	Vandal Resistant Non-Aerated Male Flow Outlet	24M	0.35 gpm	670240494282	29.00
G68046	Male Laminar Flow Outlet	25M	0.35 gpm	670240828544	19.00
G68048	Vandal Resistant Male Laminar Flow Outlet	27M	.5 gpm	670240828568	29.00



## AQUASPEC® COMMERCIAL PRODUCT SUFFIXES

SUFFIX	DESCRIPTION	LIST PRICE
-AF	Add-On Faucet for Pre-Rinse Units (Same as Z800J2-AF)	314.00
-AMF	Anti-microbial Handle (2-1/2" Lever Handles)	75.00
-AMF	Anti-microbial Handle (4" Wrist Blade Handles)	75.00
-CP4	Chrome-Plated 4" Cover Plate	126.00
-CP8	Chrome-Plated 8" Cover Plate	158.00
-CR	12" [305mm] Flexible Closet Riser	N/C
-CS	Check Stops for Back-Mounted and Deck-Mounted Sink Faucets	78.00
-CS	Check Stops for Gas Cocks	78.00
-CST	3/8" Copper Supply Tubes for Z822, Z823, Z824, and Z826 Series Only	26.00
-CWO	Cold Water Only for Widespreads	-84.00
-D13	Glass Filler (Z83500) with a 13" Height	74.00
-DJ18	Used with 'K' Spout for 18" Length	32.00
-DM	Deck Mount (Available for Z841 and Z842 Faucets Only)	61.00
-DS	Dual Service for Lab Turrets	144.00
-EVB	Elevated 1/2" Vacuum Breaker with Swivel Inlets (Same as Z80000-EVB)	337.00
-FC2.0	2.0 gpm [7.6L] Laminar Flow Control in Base of Spout for Goosenecks Only/Plain End is Provided with Option	N/C
-FC1.5	1.5 gpm [5.7 L] Laminar Flow Control in Base of Spout for Goosenecks Only/Plain End is Provided with Option	N/C
-FC1.0	1.0 gpm [3.8 L] Laminar Flow Control in Base of Spout for Goosenecks Only/Plain End is Provided with Option	N/C
-FC0.5	0.5 gpm [1.9 L] Flow Control in Base of Spout for Goosenecks Only/Plain End is Provided with Option	N/C
-G	1-1/4" [32mm] Grid Strainer Drain	49.00
-GH	1-1/4" [32mm] Offset Handicap Grid Strainer Drain	99.00
-HCT	Decorative Hot/Cold Index	8.00
-HK	Supply Ell Hose Hook (Same as Z80000-HK)	90.00
-HS	Hose and Spray for Kitchen Faucets (Z823, Z824, Z831, Z871 Only)	78.00
-HS6	6' Hose and Spray for Kitchen Faucet (Z831, Z871 Only)	108.00
-H24	24" Stainless Steel Hose for Pre-Rinse	120.00
-H36	36" Stainless Steel Hose for Pre-Rinse	139.00
-H48	48" Stainless Steel Hose for Pre-Rinse	147.00
-H60	60" Stainless Steel Hose for Pre-Rinse	159.00
-H72	72" Stainless Steel Hose for Pre-Rinse	167.00
-ICT	Interconnecting Copper Supply Tubes (Widespreads Only)	N/C
-IN	Metering Institutional Handle	64.00
-IS	Integral Stops for Concealed Shower Valve Unit	96.00
-J18	18" Centerline Tubular Brass Swing Spout	49.00
-LR	12" [305mm] Flexible Lavatory Riser	N/C
-LSI	2-1/2" [64mm] Long Swivel Inlets with Integral Stops	78.00
-LVB	Less Vacuum Breaker (For D and M Spouts)	-41.00
-MY	Mixing Yoke	41.00
-MYCS	Mixing Yoke with Check Stops	96.00
-P	1-1/4" [32mm] Pop-Up Drain	85.00
-PE	Plain End (For D Spout Only)	N/C
-PR1	Pre-Rinse Spray Head with Rubber Bumper Spray Outlet and Self-Closing Valve	323.00
-PR2	Pre-Rinse with Angled Spray Head, Rubber Bumper Spray Outlet and Self-Closing Valve	360.00
-PR3	Pre-Rinse with Angled Aerated Outlet and Self-Closing Valve	332.00
-PSH	Pre-Rinse Spray Head Hook	58.00
-PT	1-1/4" [32mm] Cast Brass P-Trap with a 7-1/2" [191mm] Long 17-Gauge Wall Bend	78.00
-RB	Rough Brass (Not available for all faucets.)	-15.00

When ordering parts, always list product number and description.  
XL suffix denotes a Lead-free product.

SUFFIX	DESCRIPTION	LIST PRICE
-RS	Riser Support Bracket for Pre-Rinse Riser Tube 3/8" (Same as Z80000-RS)	96.00
-RC	Rough Chrome Plated (Not available for all faucets.)	-58.00
-RKR	Metering ADA Compliant Rocker Handle	79.00
-R23	Pre-Rinse 3/8" x 23" Riser Tube	242.00
-SE	Supply Ell (Same as Z80000-SE)	83.00
-SH	Bedpan Spray with 4' Vinyl Hose, Rubber Bumper Spray Outlet and Insulated Handle	100.00
-SH1	Bedpan Spray with 4' Vinyl Hose, Rubber Bumper Spray Outlet and Insulated Handle	159.00
-SH2	Bedpan Spray with 4' Vinyl Hose, Rubber Bumper Angled Spray Outlet and Insulated Handle	174.00
-SH3	Bedpan Spray with 4' Vinyl Hose, Rubber Bumper Angled Spray Outlet and Insulated Handle with Self-Closing Valve	370.00
-SH4	Bedpan Spray with 4' Vinyl Hose, Rubber Bumper Angled Spray Outlet and Self-Closing Valve	337.00
-SK	3/8" Male x 3" Male Shank with Hardware (Lab Turret) - 2" Installed Length	34.00
-SK1	3/8" Male x 4-3/4" Male Shank with Hardware (Lab Flange) - 3-3/4" Installed Length	39.00
-SK2	Pair of 2-13/16" Long Shanks with 1/2" NPT Male Outlet, 1/2" NPSM Coupling Nut Inlet	76.00
-SSI	3/8" [10mm] Long Short Swivel Inlets	69.00
-TMV-4P	Aqua-Gard Thermostatic Mixing Valve	138.00
-TW	Third Waterway for Widespreads Only	96.00
-TWM	Thin Wall Mount for 2" Wall Mount Installation on Z812, Z871 Series	106.00
-VB	In-Line Vacuum Breaker for 3/4" Hose Thread Sill Faucets and 3/4" Hose Outlets	70.00
-VC	Volume Control for Wall-Mounted Foot Pedal Valve (Same as Z80000-VC)	19.00
-VH36	36" Vinyl Hose for Bedpan Washers	128.00
-VH48	48" Vinyl Hose for Bedpan Washers	162.00
-VH72	72" Vinyl Hose for Bedpan Washers	201.00
-WHK	Wall Hook for Service Sink Hoses	48.00
-WHK1	Wall Hook for Bedpan Washer Hoses	101.00
-WM	Wall Mounted for Z812 and Z871 Series	85.00
-WM	Wall Mounted for Z82800 Series	85.00
-WM	Wall Mounted for Z83500 Series	85.00
-IB	One Low Pressure Gas Valve with Indexes for Turret Combo	100.00
-IF	2.2 gpm [8.3 L] Pressure Compensating Female Aerator	12.00
-IM	2.2 gpm [8.3 L] Pressure Compensating Male Aerator	12.00
-2B	Two Low Pressure Gas Valves with Indexes for Turret Combo	200.00
-2F	2.2 gpm [8.3 L] Vandal-Resistant Female Aerator	23.00
-2M	2.2 gpm [8.3 L] Vandal-Resistant Male Aerator	23.00
-2XT	2" Extension for Service Sink Faucets	84.00
-3B	Three Low Pressure Gas Valves with Indexes for Turret Combo	297.00
-3F	.5 gpm [1.9 L] Vandal-Resistant Female Spray Outlet	23.00
-3M	.5 gpm [1.9 L] Vandal-Resistant Male Spray Outlet	23.00
-4B	Four Low Pressure Gas Valves with Indexes for Turret Combo	394.00
-4F	2.2 gpm [8.3 L] Vandal-Resistant Female Laminar Flow	41.00
-4M	2.2 gpm [8.3 L] Vandal-Resistant Male Laminar Flow	41.00
-5F	2.0 gpm [7.6 L] B94 Female Rosette Spray Outlet	47.00
-5H	5' [152cm] Long Vinyl Hose Service Sink Hose w/3/4" Hose Connection	47.00
-5M	2.0 gpm [7.6 L] Male Rosette Spray Outlet	47.00
-5XT	5" Extension for Service Sink Faucets	133.00
-6F	Serrated Tip for Female Spout	32.00

For additional product information, please visit [www.zurn.com](http://www.zurn.com).

SUFFIX	DESCRIPTION	LIST PRICE
-6M	Serrated Tip for Laboratory Spouts (T, U, and V)	32.00
-7F	1.0 [3.8 L] Pressure Compensating Female Spray Outlet	38.00
-7M	1.0 [3.8 L] Pressure Compensating Male Spray Outlet	38.00
-8F	Female Aspirator Pump for Goosenecks	159.00
-8M	3/8" NPT Male Aspirator Pump for Laboratory Spouts (T, U, and V)	159.00
-9F	2.0 gpm [7.6 L] Female Rotating Aerator	41.00
-9M	2.0 gpm [7.6 L] Male Rotating Aerator	41.00
-10F	3/4" [19mm] Female Garden Hose Connection (Recommended for Vacuum Breaker Spouts)	23.00
-10M	3/4" [19mm] Male Garden Hose Connection (Recommended for Vacuum Breaker Spouts)	23.00
-11F	Female Threaded Single Screen Outlet	23.00
-11M	Male Threaded Single Screen Outlet	23.00
-12F	Spout End Vacuum Breaker for Gooseneck Spouts	80.00
-12M	Spout End Vacuum Breaker for Laboratory Spouts (T, U, and V)	80.00
-14F	2.2 gpm [8.3 L] Pressure Compensating Female Threaded Laminar Flow	23.00
-14M	2.2 gpm [8.3 L] Pressure Compensating Male Threaded Laminar Flow	23.00

SUFFIX	DESCRIPTION	LIST PRICE
-15F	Full Flow Female Outlet	12.00
-15M	Full Flow Male Outlet	12.00
-16F	1.0 gpm [3.8 L] Vandal-Resistant Female Spray Outlet	29.00
-16M	1.0 gpm [3.8 L] Vandal-Resistant Male Spray Outlet	29.00
-17F	1.5 gpm [5.7 L] Vandal-Resistant Female Aerator	28.00
-17M	1.5 gpm [5.7 L] Vandal-Resistant Male Aerator	28.00
-18F	1.5 gpm [5.7 L] Pressure Compensating Female Laminar Flow	30.00
-18FH	18" Long Stainless Steel Flex Hoses for the Z822, Z823, Z824, and Z826 Series Only	42.00
-18M	1.5 gpm [5.7 L] Pressure Compensating Male Laminar Flow	30.00
-19F	1.5 gpm [5.7 L] Anti-Microbial Female Laminar Flow Outlet	70.00
-19M	1.5 gpm [5.7 L] Anti-Microbial Male Laminar Flow Outlet	70.00
-21F	1.0 gpm [3.8 L] Female Laminar Flow Outlet	30.00
-21M	1.0 gpm [3.8 L] Male Laminar Flow Outlet	30.00
-22F	1.0 gpm [3.8 L] Vandal-Resistant Female Laminar Flow Outlet	42.00
-22M	1.0 gpm [3.8 L] Vandal-Resistant Male Laminar Flow Outlet	42.00
-23F	1.5 gpm [5.7 L] Female Aerator	42.00
-23M	1.5 gpm [5.7 L] Male Aerator	42.00
-140	140° Restricted Swing Spout for Goosenecks Only	159.00

# AQUASPEC® COMMERCIAL PRODUCTS

PRODUCT NO.	DESCRIPTION	OPTIONAL ACCESSORIES	CASE QTY.	WEIGHT (LBS.)	UPC	LIST PRICE
<b>4" Centerset Lavatory Faucets</b>						
Z81101-XL	4" Centerset with lever handles.	-G, -PT, -2M, -3M, -4M, -16M, -17M, -18M, -19M, -21M, -22M, -23M	6	4	670240366749	235.00
Z81102-XL	4" Centerset with four arm handles.	-G, -P, -PT, -2M, -3M, -4M, -16M, -17M, -18M, -19M, -21M, -22M, -23M	6	4	670240366855	241.00
Z81103-XL	4" Centerset with dome lever handles.	-G, -PT, -2M, -3M, -4M, -16M, -17M, -18M, -19M, -21M, -22M, -23M	6	4	670240366961	244.00
Z81104-XL	4" Centerset with 4" wrist blade handles.	-G, -GH, -PT, -2M, -3M, -4M, -16M, -17M, -18M, -19M, -21M, -22M, -23M	6	4	670240367098	333.00
<b>4" Centerset Gooseneck Faucets</b>						
Z812A1-XL	4" Centerset with 3-1/2" gooseneck and lever handles.	-FC, -G, -PT, -WM, -2F, -3F, -4F, -5F, -16F, -17F, -18F, -19F, -21F, -22F, -23F	6	4.5	670240367265	323.00
Z812A3-XL	4" Centerset with 3-1/2" gooseneck and dome lever handles.	-FC, -G, -PT, -2F, -3F, -4F, -5F, -16F, -17F, -18F, -19F, -21F, -22F, -23F	6	4.5	670240367371	334.00
Z812A4-XL	4" Centerset with 3-1/2" gooseneck and 4" wrist blade handles.	-FC, -G, -GH, -PT, -WM, -2F, -3F, -4F, -5F, -16F, -17F, -18F, -19F, -21F, -22F, -23F	6	4.5	670240365322	420.00
Z812B1-XL	4" Centerset with 5-3/8" gooseneck and lever handles.	-FC, -G, -PT, -WM, -2F, -3F, -4F, -5F, -16F, -17F, -18F, -19F, -21F, -22F, -23F	6	4.5	670240367531	334.00
Z812B3-XL	4" Centerset with 5-3/8" gooseneck and dome lever handles.	-FC, -G, -PT, -2F, -3F, -4F, -5F, -16F, -17F, -18F, -19F, -21F, -22F, -23F	6	4.5	670240367616	346.00
Z812B4-XL	4" Centerset with 5-3/8" gooseneck and 4" wrist blade handles.	-FC, -G, -GH, -PT, -WM, -2F, -3F, -4F, -5F, -16F, -17F, -18F, -19F, -21F, -22F, -23F	6	5	670240367630	432.00
Z812C1-XL	4" Centerset with 8" gooseneck and lever handles.	-FC, -G, -GH, -PT, -WM, -2F, -3F, -4F, -5F, -16F, -17F, -18F, -19F, -21F, -22F, -23F	6	5	670240367968	390.00
Z812C3-XL	4" Centerset with 8" gooseneck and dome lever handles.	-FC, -G, -GH, -PT, -2F, -3F, -4F, -5F, -16F, -17F, -18F, -19F, -21F, -22F, -23F	6	5	670240367982	401.00
Z812C4-XL	4" Centerset with 8" gooseneck and 4" wrist blade handles.	-FC, -G, -GH, -PT, -WM, -2F, -3F, -5F, -16F, -17F, -18F, -19F, -21F, -22F, -23F	6	5	670240367999	488.00



PRODUCT NO.	DESCRIPTION	OPTIONAL ACCESSORIES	CASE QTY.	WEIGHT (LBS.)	UPC	LIST PRICE
<b>4" Centerset Cast Spout Faucets</b>						
Z812F1-XL	4" Centerset with 6" cast spout and lever handles.	-G, -P, -PT, -WM, -2F, -3F, -4F, -5F, -16F, -17F, -18F, -19F, 21F, -22F, -23F	6	4.5	670240370999	322.00
Z812F4-XL	4" Centerset with 6" cast spout and 4" wrist blade handles.	-G, -P, -PT, -WM, -2F, -3F, -4F, -5F, -16F, -17F, -18F, -19F, 21F, -22F, -23F	6	4.5	670240371040	419.00
Z812G1-XL	4" Centerset with 8" cast spout and lever handles.	-G, -P, -PT, -WM, -2F, -3F, -4F, -5F, -16F, -17F, -18F, -19F, 21F, -22F, -23F	6	4.5	670240368057	348.00
Z812G3-XL	4" Centerset with 8" cast spout and dome lever handles.	-G, -P, -PT, -WM, -2F, -3F, -4F, -5F, -16F, -17F, -18F, -19F, 21F, -22F, -23F	6	4.5	670240368071	361.00
Z812G4-XL	4" Centerset with 8" cast spout and 4" wrist blade handles.	-G, -P, -PT, -WM, -2F, -3F, -4F, -5F, -16F, -17F, -18F, -19F, 21F, -22F, -23F	6	4.5	670240368095	448.00
<b>4" Centerset Tubular Spout Faucets</b>						
Z812H1-XL	4" Centerset with 12" tubular spout and lever handles.	-G, -P, -PT, -WM, -2F, -3F, -4F, -5F, -16F, -17F, -18F, -19F, 21F, -22F, -23F	6	4.5	670240368347	305.00
Z812H3-XL	4" Centerset with 12" tubular spout and dome lever handles.	-G, -P, -PT, -2F, -3F, -4F, -5F, -16F, -17F, -18F, -19F, 21F, -22F, -23F	6	4.5	670240371071	315.00
Z812H4-XL	4" Centerset with 12" tubular spout and 4" wrist blade handles.	-G, -P, -PT, -WM, -2F, -3F, -4F, -5F, -16F, -17F, -18F, -19F, 21F, -22F, -23F	6	4.5	670240371088	403.00
Z812J1-XL	4" Centerset with 9-1/2" tubular spout and lever handles.	-G, -P, -PT, -WM, -2F, -3F, -4F, -5F, -16F, -17F, -18F, -19F, 21F, -22F, -23F	6	4.5	670240371149	303.00
Z812J3-XL	4" Centerset with 9-1/2" tubular spout and dome lever handles.	-G, -P, -PT, -2F, -3F, -4F, -5F, -16F, -17F, -18F, -19F, 21F, -22F, -23F	6	4.5	670240371163	314.00
Z812J4-XL	4" Centerset with 9-1/2" tubular spout and 4" wrist blade handles.	-G, -P, -PT, -WM, -2F, -3F, -4F, -5F, -16F, -17F, -18F, -19F, 21F, -22F, -23F	6	4.5	670240371187	401.00
<b>4" Centerset Double-Jointed Spout Faucets</b>						
Z812K1-XL	4" Centerset with 13" double-jointed spout and lever handles.	-DJ18, -G, -P, -PT, -WM, -2F, -3F, -4F, -5F, -16F, -17F, -18F, -19F, -21F, -22F, -23F	6	4.5	670240371217	441.00
Z812K4-XL	4" Centerset with 13" double-jointed spout 4" wrist blade handles.	-DJ18, -G, -P, -PT, -WM, -2F, -3F, -4F, -5F, -16F, -17F, -18F, -19F, -21F, -22F, -23F	6	4.5	670240371248	539.00



Z812F1-XL



Z812F4-XL



Z812G1-XL



Z812G3-XL



Z812G4-XL



Z812H1-XL



Z812H3-XL



Z812H4-XL



Z812J1-XL



Z812J3-XL



Z812J4-XL



Z812K1-XL



Z812K4-XL

PRODUCT NO.	DESCRIPTION	OPTIONAL ACCESSORIES	CASE QTY.	WEIGHT (LBS.)	UPC	LIST PRICE
<b>4" Centerset Vacuum Breaker Spout Faucets</b>						
Z812N1	4" Centerset with 6" vacuum breaker spout, 3/4" hose end and lever handles.	-G, -P, -PT, -WM	6	4.5	670240447905	476.00
Z812N4	4" Centerset with 6" vacuum breaker spout, 3/4" hose end and 4" wrist blade handles.	-G, -P, -PT, -WM	6	4.5	670240422056	576.00
Z812T1-XL	4" Centerset with 4-1/2" vacuum breaker spout and lever handles.	-FC, -G, -P, -PT, -WM, -2F, -3F, -4F, -5F, -6M, -16F, -17F, -18F, -19F, -21F, -22F, -23F	6	4.5	889934099713	342.00
Z812T4-XL	4" Centerset with 4-1/2" vacuum breaker spout and 4" wrist blade handles.	-FC, -G, -P, -PT, -WM, -2F, -3F, -4F, -5F, -6M, -16F, -17F, -18F, -19F, -21F, -22F, -23F	6	4.5	-	450.00
Z812U1-XL	4" Centerset with 6" vacuum breaker spout and lever handles.	-FC, -G, -P, -PT, -WM, -2F, -3F, -4F, -5F, -6M, -16F, -17F, -18F, -19F, -21F, -22F, -23F	6	4.5	-	349.00
Z812U4-XL	4" Centerset with 6" vacuum breaker spout and 4" wrist blade handles.	-FC, -G, -P, -PT, -WM, -2F, -3F, -4F, -5F, -6M, -16F, -17F, -18F, -19F, -21F, -22F, -23F	6	4.5	670240931763	449.00
<b>4" Centerset Bent Riser Spout Faucets</b>						
Z812S1-XL	4" Centerset with 8" bent riser spout and lever handles.	-FC, -G, -P, -PT, -WM, -2M, -3M, -4M, -5M, -16M, -17M, -18M, -19M, -21M, -22M, -23M	6	4.5	670240493292	414.00
Z812S3-XL	4" Centerset with 8" bent riser spout and dome lever handles.	-FC, -G, -P, -PT, -2M, -3M, -4M, -5M, -16M, -17M, -18M, -19M, -21M, -22M, -23M	6	4.5	670240493322	421.00
Z812S4-XL	4" Centerset with 8" bent riser spout and 4" wrist blade handles.	-FC, -G, -P, -PT, -2M, -3M, -4M, -5M, -16M, -17M, -18M, -19M, -21M, -22M, -23M	6	4.5	670240493353	509.00
<b>4" Centerset Metering Faucets</b>						
Z86500-XL	4" Centerset metering faucet.	-G, -GH, -IN, -PT, -RKR, -3M, -16M	6	5	670240373150	461.00
Z866B0-XL	4" Centerset metering faucet with 5-3/8" gooseneck.	-G, -GH, -IN, -PT, -RKR, -3F, -16F	6	6	670240374669	504.00



FLUSH VALVES

FAUCETS

TEMP-GARD®

TUBULAR BRASS

FIXTURES

AQUAPARTS® REPAIR PARTS AND ASSEMBLIES

PRODUCT NO.	DESCRIPTION	OPTIONAL ACCESSORIES	CASE QTY.	WEIGHT (LBS.)	UPC	LIST PRICE
<b>Sink Gooseneck Faucets</b>						
Z842A1-XL	Sink faucet with 3-1/2" gooseneck and lever handles.	-DM, -FC, -LSI, -2F, -3F, -4F, -5F, -16F, -17F, -18F, -19F, -21F, -22F, -23F	1	5	670240371996	403.00
Z842A4-XL	Sink faucet with 3-1/2" gooseneck and 4" wrist blade handles.	-DM, -FC, -LSI, -2F, -3F, -4F, -5F, -16F, -17F, -18F, -19F, -21F, -22F, -23F	1	5.5	670240372047	500.00
Z842B1-XL	Sink faucet with 5-3/8" gooseneck and lever handles.	-DM, -FC, -LSI, -2F, -3F, -4F, -5F, -16F, -17F, -18F, -19F, -21F, -22F, -23F	1	5.5	670240372153	415.00
Z842B2-XL	Sink faucet with 5-3/8" gooseneck and four-arm handles.	-DM, -FC, -LSI, -2F, -3F, -4F, -5F, -16F, -17F, -18F, -19F, -21F, -22F, -23F	1	5.5	670240372160	419.00
Z842B4-XL	Sink faucet with 5-3/8" gooseneck and 4" wrist blade handles.	-DM, -FC, -LSI, -2F, -3F, -4F, -5F, -16F, -17F, -18F, -19F, -21F, -22F, -23F	1	5.5	670240372184	512.00
Z842C1-XL	Sink faucet with 8" gooseneck and lever handles.	-DM, -FC, -LSI, -2F, -3F, -4F, -5F, -16F, -17F, -18F, -19F, -21F, -22F, -23F	1	5.5	670240372245	470.00
Z842C4-XL	Sink faucet with 8" gooseneck and 4" wrist blade handles.	-DM, -FC, -LSI, -2F, -3F, -4F, -5F, -16F, -17F, -18F, -19F, -21F, -22F, -23F	1	5.5	670240372276	567.00
<b>Sink Cast Spout Faucets</b>						
Z842F1-XL	Sink faucet with 6" cast spout and lever handles.	-DM, -LSI, -2F, -3F, -4F, -16F, -17F, -18F, -19F, -21F, -22F, -23F	1	5	670240372306	545.00
Z842F2-XL	Sink faucet with 6" cast spout and four-arm handles.	-DM, -LSI, -2F, -3F, -4F, -16F, -17F, -18F, -19F, -21F, -22F, -23F	1	5	670240372344	408.00
Z842F4-XL	Sink faucet with 6" cast spout and 4" wrist blade handles.	-DM, -LSI, -2F, -3F, -4F, -16F, -17F, -18F, -19F, -21F, -22F, -23F	1	5.5	670240372368	541.00
Z842G4-XL	Sink faucet with 8" cast spout and 4" wrist blade handles.	-DM, -LSI, -2F, -3F, -4F, -16F, -17F, -18F, -19F, -21F, -22F, -23F	1	5.5	670240372672	527.00
<b>Sink Tubular Spout Faucets</b>						
Z842H1-XL	Sink faucet with 12" tubular spout and lever handles.	-DM, -LSI, -2F, -3F, -4F, -16F, -17F, -18F, -19F, -21F, -22F, -23F	1	5.5	670240372726	383.00
Z842H4-XL	Sink faucet with 12" tubular spout and 4" wrist blade handles.	-DM, -LSI, -2F, -3F, -4F, -16F, -17F, -18F, -19F, -21F, -22F, -23F	1	5.5	670240372818	482.00
Z842I1-XL	Sink faucet with 14" tubular spout and lever handles.	-DM, -LSI, -2F, -3F, -4F, -16F, -17F, -18F, -19F, -21F, -22F, -23F	1	5.5	670240372849	391.00
Z842I4-XL	Sink faucet with 14" tubular spout and 4" wrist blade handles.	-DM, -LSI, -2F, -3F, -4F, -16F, -17F, -18F, -19F, -21F, -22F, -23F	1	5.5	670240372863	487.00
Z842J1-XL	Sink faucet with 9-1/2" tubular spout and lever handles.	-DM, -LSI, -2F, -3F, -4F, -16F, -17F, -18F, -19F, -21F, -22F, -23F	1	5.5	670240372887	381.00
Z842J3-XL	Sink faucet with 9-1/2" tubular spout and dome lever handles.	-LSI, -2F, -3F, -4F, -16F, -17F, -18F, -19F, -21F, -22F, -23F	1	5.5	670240372924	392.00
Z842J4-XL	Sink faucet with 9-1/2" tubular spout and 4" wrist blade handles.	-DM, -LSI, -2F, -3F, -4F, -16F, -17F, -18F, -19F, -21F, -22F, -23F	1	5.5	670240372931	481.00



PRODUCT NO.	DESCRIPTION	OPTIONAL ACCESSORIES	CASE QTY.	WEIGHT (LBS.)	UPC	LIST PRICE
<b>Sink Double-Jointed Spout Faucets</b>						
Z842K1-XL	Sink faucet with 13" double-jointed spout and lever handles.	-DJ18, -DM, -LSI, -2F, -3F, -4F, -16F, -17F, -18F, -19F, -21F, -22F, -23F	1	6.5	670240372962	519.00
Z842K4-XL	Sink faucet with 13" double-jointed spout and 4" wrist blade handles.	-DJ18, -DM, -LSI, -2F, -3F, -4F, -16F, -17F, -18F, -19F, -21F, -22F, -23F	1	6.5	670240372993	617.00
<b>Sink Vacuum Breaker Spout Faucets</b>						
Z842L1	Sink faucet with 2-1/2" vacuum breaker spout and lever handles.	-DM, -LSI, -WHK, -5H	1	5.5	670240443204	516.00
Z842L2	Sink faucet with 2-1/2" vacuum breaker spout and four-arm handles.	-DM, -LSI, -WHK, -5H	1	5.5	670240409200	522.00
Z842M1	Sink faucet with 6" vacuum breaker spout, lever handles, pail hook, 3/4" hose end and brace.	-LSI, -WHK, -5H	1	7	670240411463	575.00
Z842M2	Sink faucet with 6" vacuum breaker spout, four-arm handles, pail hook, 3/4" hose end and brace.	-LSI, -WHK, -5H	1	7	670240424791	638.00
Z842M4	Sink faucet with 5" vacuum breaker spout, 4" wrist blade handles, pail hook, 3/4" hose end and brace.	-LSI, -RC, -WHK, -5H	1	7	670240443228	731.00
Z842N1	Sink faucet with 6" vacuum breaker spout, lever handles, pail hook and 3/4" hose end.	-DM, -LSI, -WHK, -5H	1	7	670240509078	555.00
Z842N2	Sink faucet with 6" vacuum breaker spout, four-arm handles, pail hook and 3/4" hose end.	-DM, -LSI, -WHK, -5H	1	7	670240525641	562.00



Z842K1-XL



Z842K4-XL



Z842L1



Z842L2



Z842M1



Z842M2



Z842M4



Z842N1



Z842N2

FLUSH VALVES

FAUCETS

TEMP-GARD®

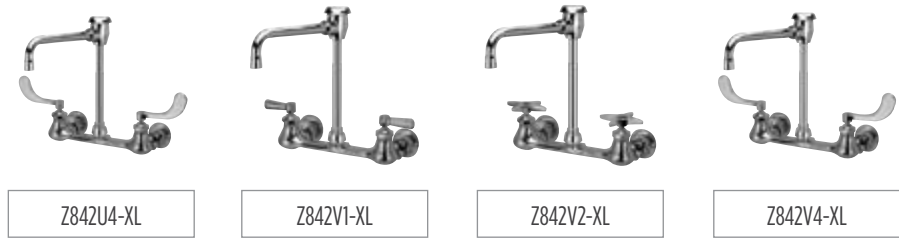
TUBULAR BRASS

FIXTURES

AQUAPARTS® REPAIR PARTS AND ASSEMBLIES



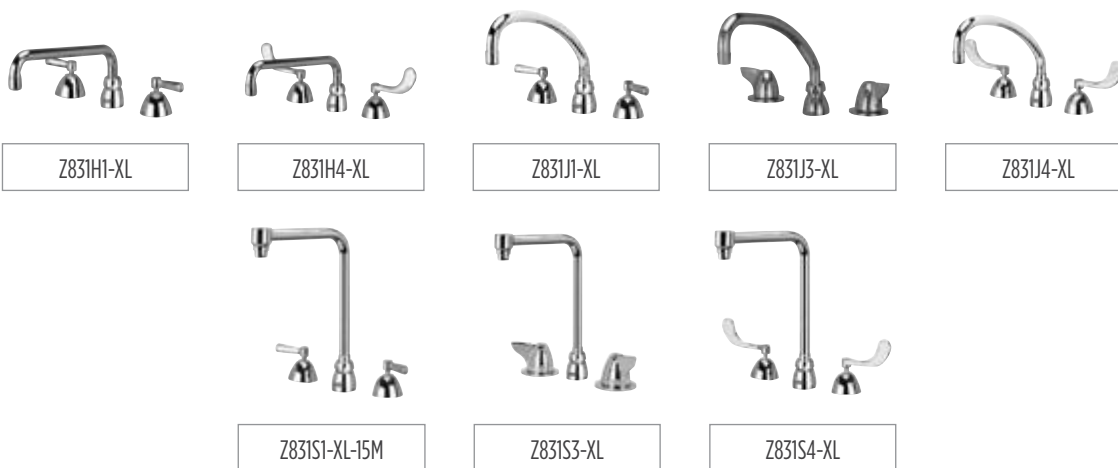
PRODUCT NO.	DESCRIPTION	OPTIONAL ACCESSORIES	CASE QTY.	WEIGHT (LBS.)	UPC	LIST PRICE
<b>Sink Vacuum Breaker Spout Faucets (CONTINUED)</b>						
Z842T1-XL	Sink faucet with 4-1/2" vacuum breaker spout and lever handles.	-DM, -FC, -LSI, -2F, -3F, -4F, -5F, -6M, -16F, -17F, -18F, -19F, -21F, -22F, -23F	1	7	670240492769	409.00
Z842T2-XL	Sink faucet with 4-1/2" vacuum breaker spout and four-arm handles.	-DM, -FC, -LSI, -2F, -3F, -4F, -5F, -6M, -16F, -17F, -18F, -19F, -21F, -22F, -23F	1	7	670240492776	415.00
Z842T4-XL	Sink faucet with 4-1/2" vacuum breaker spout and 4" wrist blade handles.	-DM, -FC, -LSI, -2F, -3F, -4F, -5F, -6M, -16F, -17F, -18F, -19F, -21F, -22F, -23F	1	7	670240492783	506.00
Z842U1-XL	Sink faucet with 6" vacuum breaker spout and lever handles.	-DM, -FC, -LSI, -2F, -3F, -4F, -5F, -6M, -16F, -17F, -18F, -19F, -21F, -22F, -23F	1	7	670240492790	418.00
Z842U2-XL	Sink faucet with 6" vacuum breaker spout and four-arm handles.	-DM, -FC, -LSI, -2F, -3F, -4F, -5F, -6M, -16F, -17F, -18F, -19F, -21F, -22F, -23F	1	7	670240492806	422.00
Z842U4-XL	Sink faucet with 6" vacuum breaker spout and 4" wrist blade handles.	-DM, -FC, -LSI, -2F, -3F, -4F, -5F, -6M, -16F, -17F, -18F, -19F, -21F, -22F, -23F	1	7	670240492813	517.00
Z842V1-XL	Sink faucet with 8" vacuum breaker spout and lever handles.	-DM, -LSI, -6M, -8M	6	7	670240492820	427.00
Z842V2-XL	Sink faucet with 8" vacuum breaker spout and four-arm handles.	-DM, -LSI, -6M, -8M	6	7	670240492837	435.00
Z842V4-XL	Sink faucet with 8" vacuum breaker spout and 4" wrist blade handles.	-DM, -LSI, -6M, -8M	6	5.5	670240492844	527.00



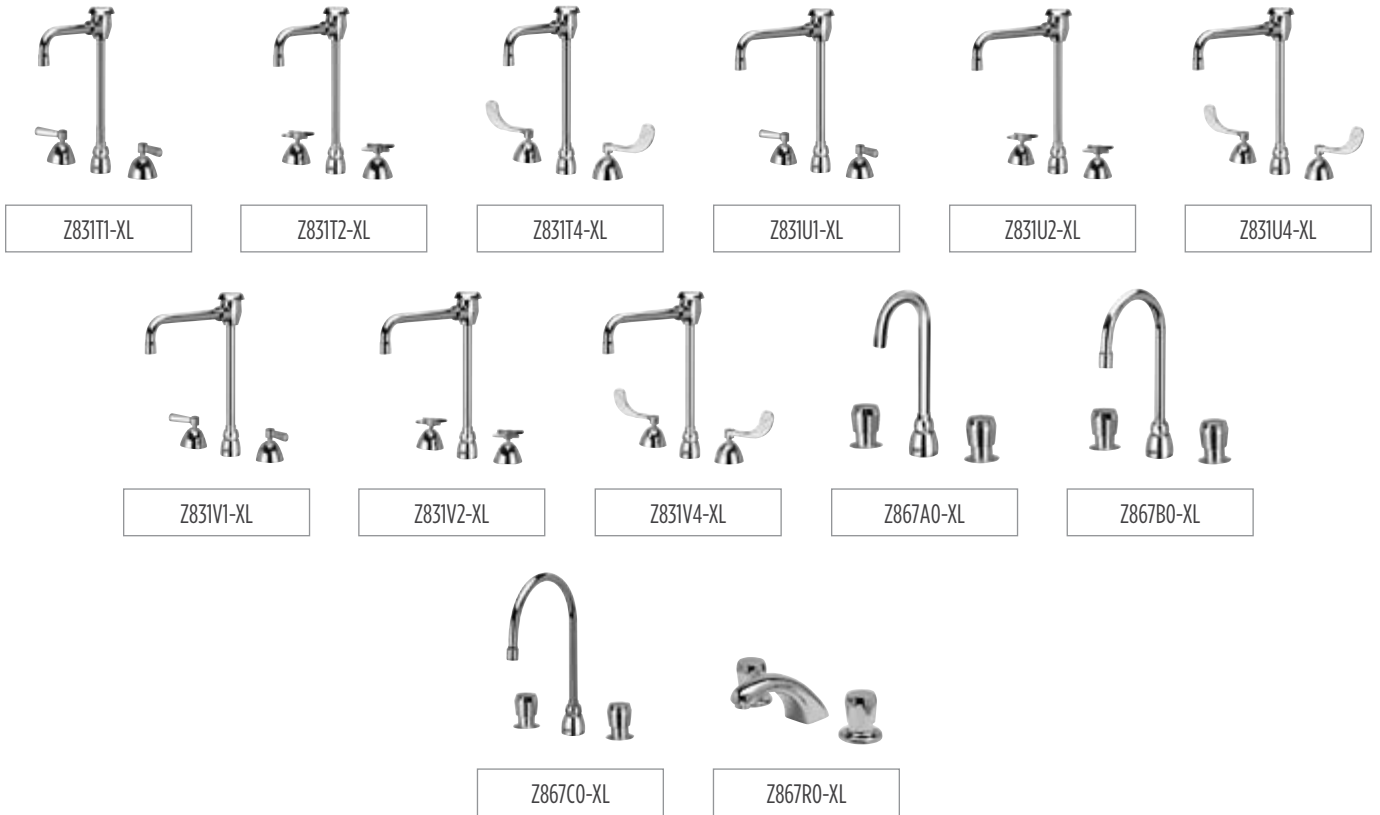
PRODUCT NO.	DESCRIPTION	OPTIONAL ACCESSORIES	CASE QTY.	WEIGHT (LBS.)	UPC	LIST PRICE
<b>Widespread Gooseneck Faucets</b>						
Z831A1-XL	Widespread with 3-1/2" gooseneck and lever handles.	-CWO, -FC, -G, -GH, -HS, -HS6, -ICT, -PT, -2F, -3F, -4F, -5F, -16F, -17F, -18F, -19F, -21F, -22F, -23F	6	6	670240368217	449.00
Z831A4-XL	Widespread with 3-1/2" gooseneck and 4" wrist blade handles.	-CWO, -FC, -G, -GH, -HS, -HS6, -ICT, -PT, -2F, -3F, -4F, -5F, -16F, -17F, -18F, -19F, -21F, -22F, -23F	6	6	670240365414	547.00
Z831B1-XL	Widespread with 5-3/8" gooseneck and lever handles.	-CWO, -FC, -G, -GH, -HS, -HS6, -ICT, -PT, -2F, -3F, -4F, -5F, -16F, -17F, -18F, -19F, -21F, -22F, -23F	6	6	670240368538	461.00
Z831B4-XL	Widespread with 5-3/8" gooseneck and 4" wrist blade handles.	-CWO, -FC, -G, -GH, -HS, -HS6, -ICT, -PT, -2F, -3F, -4F, -5F, -16F, -17F, -18F, -19F, -21F, -22F, -23F	6	6	670240365407	559.00
Z831C1-XL	Widespread with 8" gooseneck and lever handles.	-CWO, -FC, -G, -GH, -HS, -HS6, -ICT, -PT, -2F, -3F, -4F, -5F, -16F, -17F, -18F, -19F, -21F, -22F, -23F	6	6.5	670240369191	516.00
Z831C3-XL	Widespread with 8" gooseneck and dome lever handles.	-CWO, -FC, -G, -GH, -HS, -HS6, -PT, -2F, -3F, -4F, -5F, -16F, -17F, -18F, -19F, -21F, -22F, -23F	6	6.5	670240369313	527.00
Z831C4-XL	Widespread with 8" gooseneck and 4" wrist blade handles.	-CWO, -FC, -G, -GH, -HS, -HS6, -ICT, -PT, -2F, -3F, -4F, -5F, -16F, -17F, -18F, -19F, -21F, -22F, -23F	6	6.5	670240369382	614.00
<b>Widespread Cast Spout Faucets</b>						
Z831G1-XL	Widespread with 8" cast spout and lever handles.	-CWO, -G, -GH, -HS, -HS6, -ICT, -PT, -2F, -3F, -4F, -5F, -16F, -17F, -18F, -19F, -21F, -22F, -23F	6	6.5	670240369665	475.00
Z831G3-XL	Widespread with 8" cast spout and dome lever handles.	-CWO, -G, -GH, -HS, -HS6, -ICT, -PT, -2F, -3F, -4F, -5F, -16F, -17F, -18F, -19F, -21F, -22F, -23F	6	6.5	670240369733	488.00
Z831G4-XL	Widespread with 8" cast spout and 4" wrist blade handles.	-CWO, -G, -GH, -HS, -HS6, -ICT, -PT, -2F, -3F, -4F, -5F, -16F, -17F, -18F, -19F, -21F, -22F, -23F	6	6.5	670240369795	576.00
Z831R1-XL	Widespread with 5" cast spout and lever handles.	-CWO, -G, -GH, -HS6, -ICT, -PT, -2M, -3M, -4M, -5M, -16M, -17M, -18M, -19M, -21M, -22M, -23M	6	6	670240369894	486.00
Z831R4-XL	Widespread with 5" cast spout and 4" wrist blade handles.	-CWO, -G, -GH, -HS6, -ICT, -PT, -2M, -3M, -4M, -5M, -16M, -17M, -18M, -19M, -21M, -22M, -23M	6	6	670240370494	582.00



PRODUCT NO.	DESCRIPTION	OPTIONAL ACCESSORIES	CASE QTY.	WEIGHT (LBS.)	UPC	LIST PRICE
<b>Widespread Tubular Spout Faucets</b>						
Z831H1-XL	Widespread with 12" tubular spout and lever handles.	-CWO, -G, -GH, -HS, -HS6, -ICT, -P, -PT, -2F, -3F, -4F, -5F, -16F, -17F, -18F, -19F, -21F, -22F, -23F	6	6.5	670240369887	<b>429.00</b>
Z831H4-XL	Widespread with 12" tubular spout and 4" wrist blade handles.	-CWO, -G, -GH, -HS, -HS6, -ICT, -P, -PT, -2F, -3F, -4F, -5F, -16F, -17F, -18F, -19F, -21F, -22F, -23F	6	6.5	670240371446	<b>384.00</b>
Z831J1-XL	Widespread with 9-1/2" tubular spout and 4" wrist blade handles.	-CWO, -G, -GH, -HS, -HS6, -ICT, -P, -PT, -2F, -3F, -4F, -5F, -16F, -17F, -18F, -19F, -21F, -22F, -23F	6	6.5	670240371491	<b>428.00</b>
Z831J3-XL	Widespread with 9-1/2" tubular spout and dome lever handles.	-CWO, -G, -GH, -HS, -HS6, -ICT, -P, -PT, -2F, -3F, -4F, -5F, -16F, -17F, -18F, -19F, -21F, -22F, -23F	6	6.5	670240371613	<b>441.00</b>
Z831J4-XL	Widespread with 9-1/2" tubular spout and 4" wrist blade handles.	-CWO, -G, -GH, -HS, -HS6, -ICT, -P, -PT, -2F, -3F, -4F, -5F, -16F, -17F, -18F, -19F, -21F, -22F, -23F	6	6.5	670240371699	<b>527.00</b>
<b>Widespread Bent Riser Spout Faucets</b>						
Z831S1-XL	Widespread with 8" bent riser spout and lever handles.	-CWO, -G, -GH, -HS6, -HS8, -ICT, -P, -PT, -2M, -3M, -4M, -5M, -16M, -17M, -18M, -19M, -21M, -22M, -23M	6	6	670240493384	<b>551.00</b>
Z831S3-XL	Widespread with 8" bent riser spout and dome lever handles.	-CWO, -G, -GH, -HS6, -HS8, -ICT, -P, -PT, -2M, -3M, -4M, -5M, -16M, -17M, -18M, -19M, -21M, -22M, -23M	6	6	670240493414	<b>535.00</b>
Z831S4-XL	Widespread with 8" bent riser spout and 4" wrist blade handles.	-CWO, -G, -GH, -HS6, -HS8, -ICT, -P, -PT, -2M, -3M, -4M, -5M, -16M, -17M, -18M, -19M, -21M, -22M, -23M	6	6	670240493445	<b>616.00</b>



PRODUCT NO.	DESCRIPTION	OPTIONAL ACCESSORIES	CASE QTY.	WEIGHT (LBS.)	UPC	LIST PRICE
<b>Widespread Vacuum Breaker Faucets</b>						
Z831T1-XL	Widespread with 4-1/2" vacuum breaker spout and lever handles.	-CWO, -FC, -G, -GH, -HS6, -HS8, -ICT, -P, -PT, -2F, -3F, -4F, -6M, -16F, -17F, -18F, -19F, -21F, -22F, -23F	6	6	670240493469	454.00
Z831T2-XL	Widespread with 4-1/2" vacuum breaker spout and four-arm handles.	-CWO, -FC, -G, -GH, -HS6, -HS8, -ICT, -P, -PT, -2F, -3F, -4F, -6M, -16F, -17F, -18F, -19F, -21F, -22F, -23F	6	6	670240493476	462.00
Z831T4-XL	Widespread with 4-1/2" vacuum breaker spout and 4" wrist blade handles.	-CWO, -FC, -G, -GH, -HS6, -HS8, -ICT, -P, -PT, -2F, -3F, -4F, -6M, -16F, -17F, -18F, -19F, -21F, -22F, -23F	6	6	670240493490	553.00
Z831U1-XL	Widespread with 6" vacuum breaker spout and lever handles.	-CWO, -FC, -G, -GH, -HS6, -HS8, -ICT, -P, -PT, -2F, -3F, -4F, -6M, -16F, -17F, -18F, -19F, -21F, -22F, -23F	6	6	670240493506	464.00
Z831U2-XL	Widespread with 6" vacuum breaker spout and four-arm handles.	-CWO, -FC, -G, -GH, -HS6, -HS8, -ICT, -P, -PT, -2F, -3F, -4F, -6M, -16F, -17F, -18F, -19F, -21F, -22F, -23F	6	6	670240493520	471.00
Z831U4-XL	Widespread with 6" vacuum breaker spout and 4" wrist blade handles.	-CWO, -FC, -G, -GH, -HS6, -HS8, -ICT, -P, -PT, -2F, -3F, -4F, -6M, -16F, -17F, -18F, -19F, -21F, -22F, -23F	6	6	670240493537	557.00
Z831V1-XL	Widespread with 8" vacuum breaker spout and lever handles.	-CWO, -FC, -G, -GH, -HS6, -HS8, -ICT, -P, -PT, -2F, -3F, -4F, -6M, -16F, -17F, -18F, -19F, -21F, -22F, -23F	6	6	670240493551	474.00
Z831V2-XL	Widespread with 8" vacuum breaker spout and four-arm handles.	-CWO, -FC, -G, -GH, -HS6, -HS8, -ICT, -P, -PT, -2F, -3F, -4F, -6M, -16F, -17F, -18F, -19F, -21F, -22F, -23F	6	6	670240493568	481.00
Z831V4-XL	Widespread with 8" vacuum breaker spout and 4" wrist blade handles.	-CWO, -FC, -G, -GH, -HS6, -HS8, -ICT, -P, -PT, -2F, -3F, -4F, -6M, -16F, -17F, -18F, -19F, -21F, -22F, -23F	6	6	670240493575	574.00
<b>Widespread Metering Faucets</b>						
Z867A0-XL	Widespread metering faucet with 3-1/2" gooseneck.	-CWO, -G, -GH, -ICT, -IN, -PT, -RKR, -3F, -16F	6	6	670240373198	588.00
Z867B0-XL	Widespread metering faucet with 5-3/8" gooseneck.	-CWO, -G, -GH, -ICT, -IN, -PT, -RKR, -3F, -16F	6	6.5	670240373211	593.00
Z867C0-XL	Widespread metering faucet with 8" gooseneck.	-CWO, -G, -GH, -ICT, -IN, -PT, -RKR, -3F, -16F	6	6.5	670240373273	623.00
Z867R0-XL	Widespread metering faucet with 5" low-profile spout.	-CWO, -G, -GH, -ICT, -IN, -PT, -RKR, -3M, -16M	6	6.5	670240372566	567.00



PRODUCT NO.	DESCRIPTION	OPTIONAL ACCESSORIES	CASE QTY.	WEIGHT (LBS.)	UPC	LIST PRICE
<b>Deck-mounted Faucets</b>						
Z821A0-XL	Deck-mounted 3-1/2" gooseneck spout.	-FC, -PT, -2F, -3F, -4F, -5F, -16F, -17F, -18F, -19F, -21F, -22F, -23F	1	2	670240491786	133.00
Z821B0-XL	Deck-mounted 5-3/8" gooseneck spout.	-FC, -PT, -2F, -3F, -4F, -5F, -16F, -17F, -18F, -19F, -21F, -22F, -23F	1	2	670240491823	143.00
Z821C0-XL	Deck-mounted 8" gooseneck spout.	-FC, -PT, -2F, -3F, -4F, -5F, -16F, -17F, -18F, -19F, -21F, -22F, -23F	1	2.5	670240491847	173.00
Z821T0-XL	Deck-mounted 4-1/2" vacuum breaker spout.	-FC, -PT, -2F, -3F, -4F, -5F, -16F, -17F, -18F, -19F, -21F, -22F, -23F	1	2.5	670240491861	192.00
Z821U0-XL	Deck-mounted 6" vacuum breaker spout.	-FC, -PT, -2F, -3F, -4F, -5F, -16F, -17F, -18F, -19F, -21F, -22F, -23F	1	2.5	670240491878	203.00
Z841B1-XL-DM	Deck-mounted faucet with 5-3/8" gooseneck spout and lever handles.	-2F, -3F, -4F, -5F, -12F, -16F, -17F, -18F, -19F, -21F, -22F, -23F	6	5	670240492455	459.00
Z841J4-XL-DM	Deck-mounted faucet with 9-1/2" tubular spout and wrist blade handles.	-2F, -3F, -4F, -16F, -17F, -18F, -19F, -21F, -22F, -23F	6	5	670240492592	428.00
<b>Back-mounted Faucets</b>						
Z843J1-XL	Back-mounted faucet with 9-1/2" tubular spout and lever handles.	-DM, -LSI, -2F, -3F, -4F, -16F, -17F, -18F, -19F, -21F, -22F, -23F	6	5.5	670240492677	375.00
Z843J4-XL	Back-mounted faucet with 9-1/2" tubular spout and wrist blade handles.	-DM, -LSI, -2F, -3F, -4F, -16F, -17F, -18F, -19F, -21F, -22F, -23F	6	5.5	670240492684	552.00
<b>Wall-mounted Faucets</b>						
Z80300-XL	Wall-mounted single metering sink faucet.	-IN	1	2	670240482951	322.00
Z80401	Wall-mounted single sink faucet.		1	2	670240508309	322.00
Z80402	Wall-mounted single sink faucet.		1	2	670240508644	163.00
Z80501	Wall-mounted single sink faucet.	-RB, -VB, -WHK, -5H	1	2	670240454507	164.00
Z80502	Wall-mounted single sink faucet.	-RB, -VB, -WHK, -5H	1	2	670240459571	167.00
Z80701	Wall-mounted single sink faucet.	-RB, -VB, -WHK, -5H	1	2	670240458659	167.00
Z80702	Wall-mounted single sink faucet.	-RB, -VB, -WHK, -5H	1	2	670240460492	172.00
Z80707	Wall-mounted single sink faucet.	-RB, -VB, -WHK, -5H	1	2	670240452435	167.00



PRODUCT NO.	DESCRIPTION	OPTIONAL ACCESSORIES	CASE QTY.	WEIGHT (LBS.)	UPC	LIST PRICE
<b>Wall-mounted Faucets (CONTINUED)</b>						
Z812J4-XL-WM	Wall-mounted 4" Centerset with 9-1/2" tubular spout and 4" wrist blade handles.	-TWM, -2F, -3F, -4F, -16F, -17F, -18F, -19F, 21F, -22F, -23F	6	4.5	670240371194	487.00
Z812K1-XL-WM	Wall-mounted 4" Centerset with 13" double-jointed spout and lever handles.	-DJ18, -TWM, -2F, -3F, -4F, -16F, -17F, -18F, -19F, -21F, 22F, -23F	6	4.5	670240371224	524.00
Z81301-XL	Wall-mounted single sink faucet.	-RB, -VB, -WHK, -5H	1	2	670240492707	159.00
Z81302-XL	Wall-mounted single sink faucet.	-RB, -VB, -WHK, -5H	1	2	670240492714	163.00
Z81307-XL	Wall-mounted single sink faucet.	-RB, -VB, -WHK, -5H	1	2	670240691933	159.00
Z821A0-XL-WM	Wall-mounted 3-1/2" gooseneck spout.	-FC, -PT, -2F, -3F, -4F, -5F, -16F, -17F, -18F, -19F, -21F, -22F, -23F	1	2	670240491793	159.00
Z821B0-XL-WM	Wall-mounted 5-3/8" gooseneck spout.	-FC, -PT, -2F, -3F, -4F, -5F, -16F, -17F, -18F, -19F, -21F, -22F, -23F	1	2	670240491830	228.00
Z821C0-XL-WM	Wall-mounted 8" gooseneck spout.	-FC, -PT, -2F, -3F, -4F, -5F, -16F, -17F, -18F, -19F, -21F, -22F, -23F	1	2.5	670240491854	259.00
Z875B2	Wall-mounted lab faucet with 5-3/8" gooseneck spout.	-LH -2F, -3F, -4F, -5F, -12F, -16F, -17F, -18F, -19F, -21F, -22F, -23F	1	2	889934094312	346.00
Z875F1	Wall-mounted faucet with 6" cast spout and lever handle.	-LH -2F, -3F, -4F, -16F, -17F, -18F, -19F, -21F, -22F, -23F	6	2.5	-	303.00
Z875K1	Wall-mounted faucet with 13" double-jointed spout and lever handle.	-DJ18, -LH, -2F, -3F, -4F, -16F, -17F, -18F, -19F, -21F, -22F, -23F	6	2.5	-	392.00
Z875T2	Wall-mounted lab faucet with 4-1/2" vacuum breaker spout.	-LH -2F, -3F, -4F, -5F, -6M -16F, -17F, -18F, -19F, -21F, -22F, -23F	1	2	-	399.00
Z875U2	Wall-mounted lab faucet with 6" vacuum breaker spout.	-LH -2F, -3F, -4F, -5F, -6M -16F, -17F, -18F, -19F, -21F, -22F, -23F	1	2.5	-	409.00



PRODUCT NO.	DESCRIPTION	OPTIONAL ACCESSORIES	CASE QTY.	WEIGHT (LBS.)	UPC	LIST PRICE
<b>Kitchen Sink Faucets</b>						
Z871B1-XL	Kitchen sink faucet with 5-3/8" gooseneck and lever handles.	-FC, -HS, -HS6, -PT, -WM, -2F, -3F, -4F, -16F, -17F, -18F, -19F, -21F, -22F, -23F	1	6	670240373440	<b>388.00</b>
Z871B3-XL	Kitchen sink faucet with 5-3/8" gooseneck and dome lever handles.	-FC, -HS, -HS6, -PT, -2F, -3F, -4F, -16F, -17F, -18F, -19F, -21F, -22F, -23F	1	6	670240373488	<b>400.00</b>
Z871B4-XL	Kitchen sink faucet with 5-3/8" gooseneck and 4" wrist blade handles.	-FC, -HS, -HS6, -PT, -WM, -2F, -3F, -4F, -16F, -17F, -18F, -19F, -21F, -22F, -23F	1	6	670240373556	<b>487.00</b>
Z871C1-XL	Kitchen sink faucet with 8" gooseneck and lever handles.	-FC, -HS, -HS6, -PT, -WM, -2F, -3F, -4F, -16F, -17F, -18F, -19F, -21F, -22F, -23F	1	6	670240373631	<b>444.00</b>
Z871C3-XL	Kitchen sink faucet with 8" gooseneck and dome lever handles.	-FC, -HS, -HS6, -PT, -2F, -3F, -4F, -16F, -17F, -18F, -19F, -21F, -22F, -23F	1	6	670240373679	<b>459.00</b>
Z871C4-XL	Kitchen sink faucet with 8" gooseneck and 4" wrist blade handles.	-FC, -HS, -HS6, -PT, -WM, -2F, -3F, -4F, -16F, -17F, -18F, -19F, -21F, -22F, -23F	1	6	670240373716	<b>542.00</b>
Z871G1-XL	Kitchen sink faucet with 8" cast spout and lever handles.	-HS, -HS6, -PT, -WM, -2F, -3F, -4F, -16F, -17F, -18F, -19F, -21F, -22F, -23F	1	6.5	670240373846	<b>403.00</b>
Z871G3-XL	Kitchen sink faucet with 8" cast spout and dome lever handles.	-HS, -HS6, -PT, -2F, -3F, -4F, -16F, -17F, -18F, -19F, -21F, -22F, -23F	1	6.5	670240365391	<b>415.00</b>
Z871G4-XL	Kitchen sink faucet with 8" cast spout and 4" wrist blade handles.	-HS, -HS6, -PT, -WM, -2F, -3F, -4F, -16F, -17F, -18F, -19F, -21F, -22F, -23F	1	6.5	670240373976	<b>500.00</b>
Z871H1-XL	Kitchen sink faucet with 12" tubular spout and lever handles.	-HS, -HS6, -PT, -WM, -2F, -3F, -4F, -16F, -17F, -18F, -19F, -21F, -22F, -23F	1	6	670240374041	<b>359.00</b>
Z871H4-XL	Kitchen sink faucet with 12" tubular spout and 4" wrist blade handles.	-HS, -HS6, -PT, -WM, -2F, -3F, -4F, -16F, -17F, -18F, -19F, -21F, -22F, -23F	1	6	670240374102	<b>455.00</b>
Z871J1-XL	Kitchen sink faucet with 9-1/2" tubular spout and lever handles.	-HS, -HS6, -PT, -WM, -2F, -3F, -4F, -16F, -17F, -18F, -19F, -21F, -22F, -23F	1	6	670240374126	<b>356.00</b>
Z871J3-XL	Kitchen sink faucet with 9-1/2" tubular spout and dome lever handles.	-HS, -HS6, -PT, -2F, -3F, -4F, -16F, -17F, -18F, -19F, -21F, -22F, -23F	1	6	670240374164	<b>367.00</b>
Z871J4-XL	Kitchen sink faucet with 9-1/2" tubular spout and 4" wrist blade handles.	-HS, -HS6, -PT, -WM, -2F, -3F, -4F, -16F, -17F, -18F, -19F, -21F, -22F, -23F	1	6	670240374195	<b>454.00</b>
Z871S1-XL	Kitchen sink faucet with 8" bent riser spout and lever handles.	-FC, -HS, -HS6, -HS8, -PT, -WM, -2M, -3M, -4M, -16M, -17M, -18M, -19M, -21M, -22M, -23M	1	6	670240493599	<b>452.00</b>
Z871S3-XL	Kitchen sink faucet with 8" bent riser spout and dome lever handles.	-FC, -HS, -HS6, -HS8, -PT, -2M, -3M, -4M, -16M, -17M, -18M, -19M, -21M, -22M, -23M	1	6	670240493605	<b>464.00</b>
Z871S4-XL	Kitchen sink faucet with 8" bent riser spout and 4" wrist blade handles.	-FC, -HS, -HS6, -HS8, -PT, -WM, -2M, -3M, -4M, -16M, -17M, -18M, -19M, -21M, -22M, -23M	1	6	670240493612	<b>551.00</b>



Z871B1-XL



Z871B3-XL



Z871B4-XL



Z871C1-XL



Z871C3-XL



Z871C4-XL



Z871G1-XL



Z871G3-XL



Z871G4-XL



Z871H1-XL



Z871H4-XL



Z871J1-XL



Z871J3-XL



Z871J4-XL



Z871S1-XL

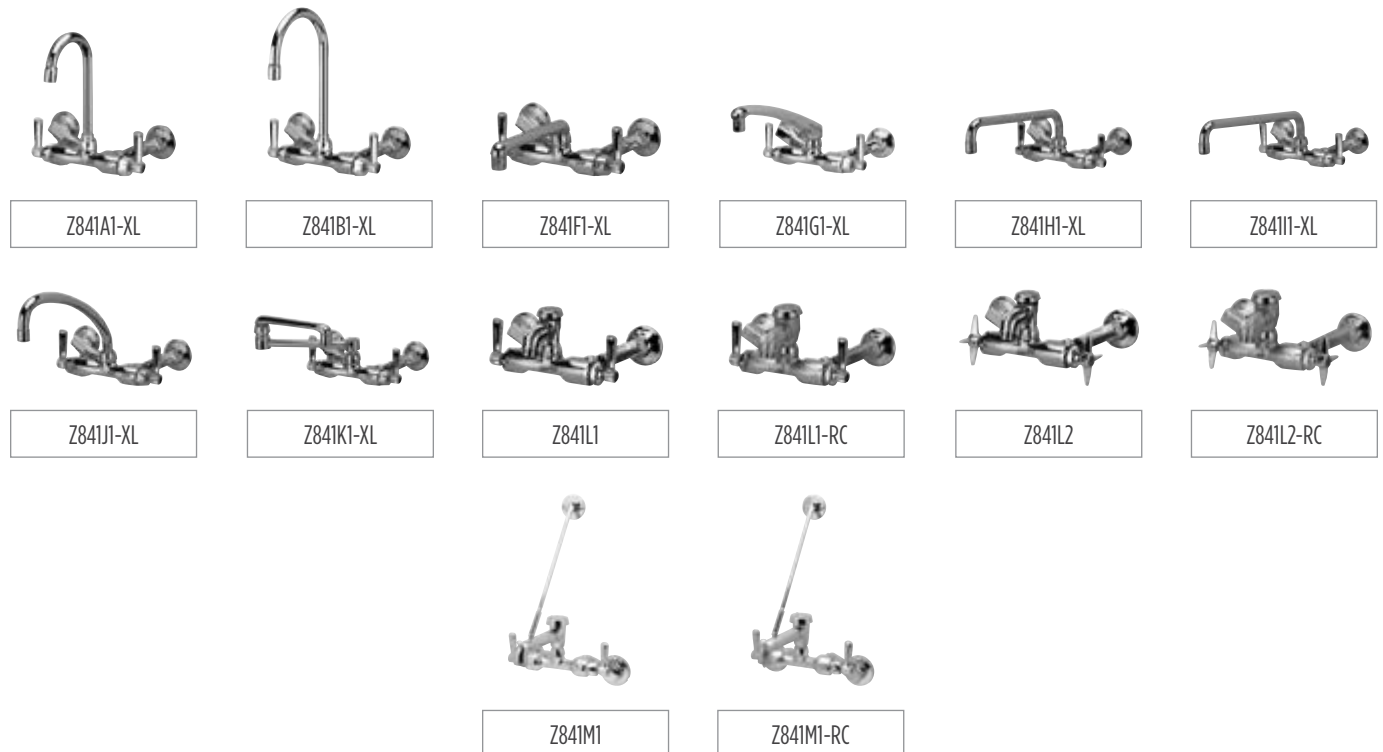


Z871S3-XL



Z871S4-XL

PRODUCT NO.	DESCRIPTION	OPTIONAL ACCESSORIES	CASE QTY.	WEIGHT (LBS.)	UPC	LIST PRICE
<b>Service Sink Faucets</b>						
Z841A1-XL	Service sink faucet with 3-1/2" gooseneck and lever handles.	-DM, -FC, -SSI, -2F, -3F, -4F, -5F, -16F, -17F, -18F, -19F, -21F, -22F, -23F	1	5	670240492394	<b>388.00</b>
Z841B1-XL	Service sink faucet with 5-3/8" gooseneck and lever handles.	-DM, -FC, -SSI, -2F, -3F, -4F, -5F, -16F, -17F, -18F, -19F, -21F, -22F, -23F	1	5	670240492424	<b>400.00</b>
Z841F1-XL	Service faucet sink with 6" cast spout and lever handles.	-DM, -SSI, -2F, -3F, -4F, -16F, -17F, -18F, -19F, -21F, -22F, -23F	1	5	670240492486	<b>387.00</b>
Z841G1-XL	Service sink faucet with 8" cast spout and lever handles.	-DM, -SSI, -2F, -3F, -4F, -16F, -17F, -18F, -19F, -21F, -22F, -23F	1	5.5	670240492493	<b>415.00</b>
Z841H1-XL	Service sink faucet with 12" tubular spout and lever handles.	-DM, -SSI, -2F, -3F, -4F, -16F, -17F, -18F, -19F, -21F, -22F, -23F	1	5.5	670240492509	<b>369.00</b>
Z841I1-XL	Service sink faucet with 14" tubular spout and lever handles.	-DM, -SSI, -2F, -3F, -4F, -16F, -17F, -18F, -19F, -21F, -22F, -23F	1	5	670240492561	<b>376.00</b>
Z841J1-XL	Service sink faucet with 9-1/2" tubular spout and lever handles.	-DM, -SSI, -2F, -3F, -4F, -16F, -17F, -18F, -19F, -21F, -22F, -23F	1	5	670240492585	<b>367.00</b>
Z841K1-XL	Service sink faucet with 13" double-jointed spout and lever handles.	-DJ18, -DM, -SSI, -2F, -3F, -4F, -16F, -17F, -18F, -19F, -21F, -22F, -23F	1	6	670240492615	<b>504.00</b>
Z841L1	Service sink faucet with 2-1/2" vacuum breaker spout and lever handles.	-DM, -SSI, -WHK, -5H	1	5.5	670240411371	<b>515.00</b>
Z841L1-RC	Service sink faucet with 2-1/2" vacuum breaker spout and lever handles, rough chrome plated.	-SSI, -WHK, -5H	1	5.5	670240408883	<b>445.00</b>
Z841L2	Service sink faucet with 2-1/2" vacuum breaker spout and four-arm handles.	-DM, -SSI, -WHK, -5H	1	5.5	670240461956	<b>521.00</b>
Z841L2-RC	Service sink faucet with 2-1/2" vacuum breaker spout and four-arm handles, rough chrome plated.	-SSI, -WHK, -5H	1	5.5	670240647800	<b>437.00</b>
Z841M1	Service sink faucet with 6" vacuum breaker spout, lever handles, pail hook, 3/4" hose end and brace.	-SSI, -WHK, -5H	1	7	670240411395	<b>593.00</b>
Z841M1-RC	Service sink faucet with 6" vacuum breaker spout, lever handles, pail hook, 3/4" hose end and brace, rough chrome plated.	-SSI, -WHK, -5H	1	7	670240408906	<b>523.00</b>





PRODUCT NO.	DESCRIPTION	OPTIONAL ACCESSORIES	CASE QTY.	WEIGHT (LBS.)	UPC	LIST PRICE
<b>Service Sink Faucets (CONTINUED)</b>						
Z841M2	Service sink faucet with 6" vacuum breaker spout, four-arm handles, pail hook, 3/4" hose end and brace.	-SSI, -WHK, -5H	1	7	670240525443	<b>600.00</b>
Z841M2-RC	Service sink faucet with 6" vacuum breaker spout, four-arm handles, pail hook, 3/4" hose end and brace, rough chrome plated.	-SSI, -WHK, -5H	1	7	-	<b>529.00</b>
Z841M4	Service sink faucet with 6" vacuum breaker spout, 4" wrist blade handles, pail hook, 3/4" hose end and brace.	-RC, -SSI, -WHK, -5H	1	7	670240455276	<b>691.00</b>
Z841N1	Service sink faucet with 6" vacuum breaker spout, lever handles, pail hook and 3/4" hose end.	-DM, -SSI, -WHK, -5H	1	6.5	670240443358	<b>542.00</b>
Z841N1-RC	Service sink faucet with 6" vacuum breaker spout, lever handles, pail hook and 3/4" hose end, rough chrome plated.	-SSI, -WHK, -5H	1	6.5	670240408920	<b>476.00</b>
Z841N2	Service sink faucet with 6" vacuum breaker spout, four-arm handles, pail hook and 3/4" hose end.	-DM, -SSI, -WHK, -5H	1	6.5	670240408937	<b>547.00</b>
Z843L1	Service sink faucet with 2-1/2" vacuum breaker spout and lever handles.	-CS, -LSI, -WHK, -5H	6	5.5	670240581012	<b>484.00</b>
Z843L1-RC	Service sink faucet with 2-1/2" vacuum breaker spout and lever handles; rough chrome plated.	-CS, -LSI, -WHK, -5H	6	5.5	670240581029	<b>414.00</b>
Z843M1	Service sink faucet with 6" vacuum breaker spout, lever handles, pail hook, 3/4" hose end and brace.	-CS, -LSI, -WHK, -5H	6	5.8	670240581050	<b>471.00</b>
Z843M1-RC	Service sink faucet with 6" vacuum breaker spout, lever handles, pail hook, 3/4" hose end and brace; rough chrome-plated.	-CS, -LSI, -WHK, -5H	6	5.8	670240581067	<b>400.00</b>
Z843N1	Service sink faucet with 6" vacuum breaker spout, lever handles, pail hook, and 3/4" hose end.	-CS, -LSI, -WHK, -5H	6	5.5	670240581074	<b>499.00</b>
Z843N1-RC	Service sink faucet with 6" vacuum breaker spout, lever handles, pail hook, 3/4" hose end and brace; rough chrome plated.	-CS, -LSI, -WHK, -5H	6	5.5	670240581081	<b>428.00</b>



Z841M2



Z841M2-RC



Z841M4



Z841N1



Z841N1-RC



Z841N2



Z843L1



Z843L1-RC



Z843M1



Z843M1-RC

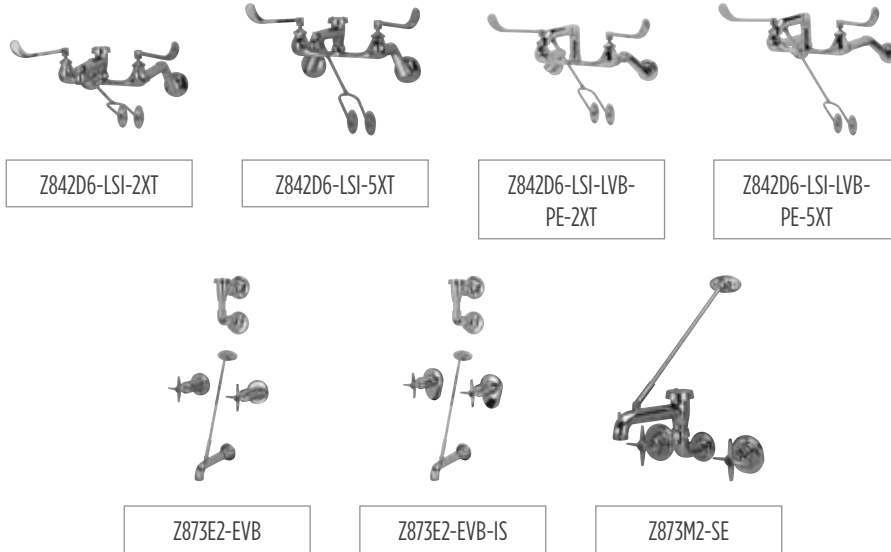


Z843N1



Z843N1-RC

PRODUCT NO.	DESCRIPTION	OPTIONAL ACCESSORIES	CASE QTY.	WEIGHT (LBS.)	UPC	LIST PRICE
<b>Clinical Service Sink Faucets</b>						
Z842D6-LSI-2XT	Clinical service sink faucet with 6" wrist blade handles, bottom brace and 3/4" hose end.	-WHK, -5H	1	7	-	923.00
Z842D6-LSI-5XT	Clinical service sink faucet with 6" wrist blade handles, bottom brace and 3/4" hose end.	-WHK, -5H	1	7	-	1,009.00
Z842D6-LSI-LVB-PE-2XT	Clinical service sink faucet with 6" wrist blade handles, bottom brace and plain end.		1	7	-	822.00
Z842D6-LSI-LVB-PE-5XT	Clinical service sink faucet with 6" wrist blade handles, bottom brace and plain end.		1	7	-	909.00
Z873E2-EVB	Clinical service sink faucet.	-WHK, -5H	1	9	670240442986	710.00
Z873E2-EVB-IS	Clinical service sink faucet.	-WHK, -5H	1	9.5	670240442993	794.00
Z873M2-SE	Clinical service sink faucet with vacuum breaker and brace.	-IS, -WHK, -5H	1	8	889934075359	710.00



PRODUCT NO.	DESCRIPTION	OPTIONAL ACCESSORIES	CASE QTY.	WEIGHT (LBS.)	UPC	LIST PRICE
<b>Single Basin Faucets</b>						
Z82701-XL	Single basin faucet with lever handle.	-G, -PT, -2M, -3M, -16M, -17M, -18M, -19M, -21M, -22M, -23M	1	2	670240368118	138.00
Z82702-XL	Single basin faucet with four-arm handle.	-G, -MY, -MYCS, -PT, -2M, -3M, -16M, -17M, -18M, -19M, -21M, -22M, -23M	1	2	670240368149	140.00
Z82704-XL	Single basin faucet with 4" wrist blade handle.	-G, -MY, -MYCS, -PT, -2M, -3M, -16M, -17M, -18M, -19M, -21M, -22M, -23M	1	2	670240368170	186.00
Z86100-XL	Single basin metering faucet.	-BN, -CP4, -CP8, -G, -GH, -IN, -MY, -MYCS, -PT, -RKR, -3M, -16M	1	2	670240373075	233.00
Z86300-XL	Single basin metering faucet.	-BN, -CP4, -CP8, -G, -GH, -IN, -MY, -MYCS, -PT, -3M, -16M	1	2.5	670240480407	355.00
Z86300-XL-CP4	Single basin metering faucet.	-BN, -CP8, -G, -GH, -IN, -MY, -MYCS, -PT, -3M, -16M	1	2.5	670240480414	374.00
<b>Single Control Faucets</b>						
Z81000-XL	4" Centerset single control faucet.	-EXT, -G, -P, -PT, -1M, -2M, -3M, -4M, -5M, -16M, -17M, -18M, -19M, -21M, -22M, -23M	6	4	670240358720	240.00
Z82200-XL-CP4	Single control lavatory faucet with 4" cover plate.	-CP8, -G, -P, -2M, -3M, -4M, -16M, -17M, -18M, -19M, -21M, -22M, -23M	1	3.5	670240466852	579.00
Z82300-XL-CP8	Single control kitchen faucet with 8" cover plate.	-CP4, -G, -HS, -2M, -3M, -4M, -9M, -16M, -17M, -18M, -19M, -21M, -22M, -23M	1	5	670240470385	708.00
Z824B0-XL	Single control side-mounted gooseneck faucet.	-G, -HS, -2F, -3F, -4F, -16F, -17F, -18F, -19F, -21F, -22F, -23F	1	4	670240480322	567.00
Z824S0-XL	Single control side-mounted bent riser spout faucet.	-G, -HS, -2M, -3M, -4M, -9M, -16M, -17M, -18M, -19M, -21M, -22M, -23M	6	4	670240480391	662.00



Z82701-XL



Z82702-XL



Z82704-XL



Z86100-XL



Z86300-XL



Z86300-XL-CP4



Z81000-XL



Z82200-XL-CP4



Z82300-XL-CP8



Z824B0-XL



Z824S0-XL

PRODUCT NO.	DESCRIPTION	OPTIONAL ACCESSORIES	CASE QTY.	WEIGHT (LBS.)	UPC	LIST PRICE
<b>Single Lab Faucets</b>						
Z825A1-XL	Single lab faucet with 3-1/2" gooseneck and lever handle.	-FC, -G, -PT, -2F, -3F, -4F, -5F, -12F, -16F, -17F, -18F, -19F, -21F, -22F, -23F	1	3	670240487017	280.00
Z825A2-XL	Single lab faucet with 3-1/2" gooseneck and four-arm handle.	-FC, -G, -PT, -2F, -3F, -4F, -5F, -12F, -16F, -17F, -18F, -19F, -21F, -22F, -23F	1	3	670240491908	284.00
Z825A4-XL	Single lab faucet with 3-1/2" gooseneck and 4" wrist blade handle.	-FC, -G, -PT, -2F, -3F, -4F, -5F, -12F, -16F, -17F, -18F, -19F, -21F, -22F, -23F	1	3	670240491915	328.00
Z825B1-XL	Single lab faucet with 5-3/8" gooseneck and lever handle.	-FC, -G, -PT, -2F, -3F, -4F, -5F, -12F, -16F, -17F, -18F, -19F, -21F, -22F, -23F	1	3	670240491465	290.00
Z825B2-XL	Single lab faucet with 5-3/8" gooseneck and four-arm handle.	-FC, -G, -PT, -2F, -3F, -4F, -5F, -12F, -16F, -17F, -18F, -19F, -21F, -22F, -23F	1	3	670240491922	294.00
Z825B4-XL	Single lab faucet with 5-3/8" gooseneck and 4" wrist blade handle.	-FC, -G, -PT, -2F, -3F, -4F, -5F, -12F, -16F, -17F, -18F, -19F, -21F, -22F, -23F	1	3	670240491489	341.00
Z825C1-XL	Single lab faucet with 8" gooseneck and lever handle.	-FC, -G, -PT, -2F, -3F, -4F, -5F, -12F, -16F, -17F, -18F, -19F, -21F, -22F, -23F	1	3	670240491939	346.00
Z825C2-XL	Single lab faucet with 8" gooseneck and four-arm handle.	-FC, -G, -PT, -2F, -3F, -4F, -5F, -12F, -16F, -17F, -18F, -19F, -21F, -22F, -23F	1	3	670240491946	348.00
Z825C4-XL	Single lab faucet with 8" gooseneck and 4" wrist blade handle.	-FC, -G, -PT, -2F, -3F, -4F, -5F, -12F, -16F, -17F, -18F, -19F, -21F, -22F, -23F	1	3	670240491953	393.00
Z825F1-XL	Single lab faucet with 6" cast spout and lever handle.	-G, -PT, -2F, -3F, -4F, -5F, -16F, -17F, -18F, -19F, -21F, -22F, -23F	1	3	670240483439	279.00
Z825F2-XL	Single lab faucet with 6" cast spout and four-arm handle.	-G, -PT, -2F, -3F, -4F, -5F, -16F, -17F, -18F, -19F, -21F, -22F, -23F	1	3	670240491960	242.00
Z825T1-6M	Single lab faucet with 4-1/2" vacuum breaker spout, serrated tip, and lever handle.	-FC, -G, -MY, -MYCS, -PT, -2F, -3F, -4F, -5F, -8M, -16F, -17F, -18F, -19F, -21F, -22F, -23F	1	3.5	670240262461	318.00
Z825T2-6M	Single lab faucet with 4-1/2" vacuum breaker spout, serrated tip, and four-arm handle.	-FC, -G, -MY, -MYCS, -PT, -2F, -3F, -4F, -5F, -8M, -16F, -17F, -18F, -19F, -21F, -22F, -23F	1	3.5	670240262478	321.00



Z825A1-XL



Z825A2-XL



Z825A4-XL



Z825B1-XL



Z825B2-XL



Z825B4-XL



Z825C1-XL



Z825C2-XL



Z825C4-XL



Z825F1-XL



Z825F2-XL



Z825T1-6M



Z825T2-6M

FLUSH VALVES

FAUCETS

TEMP-GARD™

TUBULAR BRASS

FIXTURES

AQUAPARTS™ REPAIR PARTS AND ASSEMBLIES

PRODUCT NO.	DESCRIPTION	OPTIONAL ACCESSORIES	CASE QTY.	WEIGHT (LBS.)	UPC	LIST PRICE
<b>Single Lab Faucets (CONTINUED)</b>						
Z825U1-6M	Single lab faucet with 6" vacuum breaker spout, serrated tip, and lever handle.	-FC, -G, -MY, -MYCS, -PT, -2F, -3F, -4F, -5F, -8M, -16F, -17F, -18F, -19F, -21F, -22F, -23F	1	3.5	670240262508	328.00
Z825U2-6M	Single lab faucet with 6" vacuum breaker spout, serrated tip, and four-arm handle.	-FC, -G, -MY, -MYCS, -PT, -2F, -3F, -4F, -5F, -8M, -16F, -17F, -18F, -19F, -21F, -22F, -23F	1	3.5	670240262515	331.00
Z825U4-6M	Single lab faucet with 6" vacuum breaker spout, serrated tip, and 4" wrist blade handle.	-FC, -G, -MY, -MYCS, -PT, -2F, -3F, -4F, -5F, -8M, -16F, -17F, -18F, -19F, -21F, -22F, -23F	1	3.5	670240262539	375.00
Z825V1-6M	Single lab faucet with 8" vacuum breaker spout, serrated tip, and lever handle.	-FC, -G, -MY, -MYCS, -PT, -2F, -3F, -4F, -5F, -8M, -16F, -17F, -18F, -19F, -21F, -22F, -23F	1	3.5	670240262546	338.00
Z825V2-6M	Single lab faucet with 8" vacuum breaker spout, serrated tip, and four-arm handle.	-FC, -G, -MY, -MYCS, -PT, -2F, -3F, -4F, -5F, -8M, -16F, -17F, -18F, -19F, -21F, -22F, -23F	1	3.5	670240262553	359.00
Z825V4-6M	Single lab faucet with 8" vacuum breaker spout, serrated tip, and 4" wrist blade handle.	-FC, -G, -MY, -MYCS, -PT, -2F, -3F, -4F, -5F, -8M, -16F, -17F, -18F, -19F, -21F, -22F, -23F	1	3.5	670240262577	385.00
Z82800	Single lab faucet, tin lined, for deionized water.	-WM	1	3.5	670240457409	549.00
Z82800-VB	Single lab faucet with vacuum breaker, tin lined, for deionized water.	-WM	1	3.5	670240458710	756.00
<b>Double Lab Faucets</b>						
Z826B1-XL	Double lab faucet with 5-3/8" gooseneck and lever handles.	-FC, -G, -MY, -PT, -2F, -3F, -4F, -5F, -12F, -16F, -17F, -18F, -19F, -21F, -22F, -23F	1	5	670240483750	367.00
Z826B2-XL	Double lab faucet with 5-3/8" gooseneck and four-arm handles.	-FC, -G, -MY, -PT, -2F, -3F, -4F, -5F, -12F, -16F, -17F, -18F, -19F, -21F, -22F, -23F	1	5	670240492219	374.00
Z826B4-XL	Double lab faucet with 5-3/8" gooseneck and 4" wrist blade handles.	-FC, -G, -MY, -PT, -2F, -3F, -4F, -5F, -12F, -16F, -17F, -18F, -19F, -21F, -22F, -23F	1	5	670240491496	465.00
Z826C1-XL	Double lab faucet with 8" gooseneck and lever handles.	-FC, -G, -MY, -PT, -2F, -3F, -4F, -5F, -12F, -16F, -17F, -18F, -19F, -21F, -22F, -23F	1	5	670240492271	420.00
Z826C2-XL	Double lab faucet with 8" gooseneck and four-arm handles.	-FC, -G, -MY, -PT, -2F, -3F, -4F, -5F, -12F, -16F, -17F, -18F, -19F, -21F, -22F, -23F	1	5	670240492356	428.00
Z826C4-XL	Double lab faucet with 8" gooseneck and 4" wrist blade handles.	-FC, -G, -MY, -PT, -2F, -3F, -4F, -5F, -12F, -16F, -17F, -18F, -19F, -21F, -22F, -23F	1	5	670240492363	521.00
Z826F1-XL	Double lab faucet with 6" cast spout and lever handles.	-G, -MY, -PT, -2F, -3F, -4F, -5F, -16F, -17F, -18F, -19F, -21F, -22F, -23F	1	5	670240491373	355.00
Z826F2-XL	Double lab faucet with 6" cast spout and four-arm handles.	-G, -MY, -PT, -2F, -3F, -4F, -5F, -16F, -17F, -18F, -19F, -21F, -22F, -23F	1	5	670240493650	361.00



Z82800



Z82800-VB



Z826B1-XL



Z826B2-XL



Z826B4-XL



Z826C1-XL



Z826C2-XL



Z826C4-XL



Z826F1-XL



Z826F2-XL

PRODUCT NO.	DESCRIPTION	OPTIONAL ACCESSORIES	CASE QTY.	WEIGHT (LBS.)	UPC	LIST PRICE
<b>Double Lab Faucets</b> (CONTINUED)						
Z826T1-6M	Double lab faucet with 4-1/2" vacuum breaker spout, serrated tip, and lever handles.	-FC, -G, -MY, -MYCS, -PT, -2F, -3F, -4F, -5F, -8M, -16F, -17F, -18F, -19F, -21F, -22F, -23F	1	5.5	670240262669	393.00
Z826T2-6M	Double lab faucet with 4-1/2" vacuum breaker spout, serrated tip, and four-arm handles.	-FC, -G, -MY, -MYCS, -PT, -2F, -3F, -4F, -5F, -8M, -16F, -17F, -18F, -19F, -21F, -22F, -23F	1	5.5	670240262676	400.00
Z826T4-6M	Double lab faucet with 4-1/2" vacuum breaker spout, serrated tip, and 4" wrist blade handles.	-FC, -G, -MY, -MYCS, -PT, -2F, -3F, -4F, -5F, -8M, -16F, -17F, -18F, -19F, -21F, -22F, -23F	1	5.5	670240262683	492.00
Z826U1-6M	Double lab faucet with 6" vacuum breaker spout, serrated tip, and lever handles.	-FC, -G, -MY, -MYCS, -PT, -2F, -3F, -4F, -5F, -8M, -16F, -17F, -18F, -19F, -21F, -22F, -23F	1	5.5	670240262690	403.00
Z826U2-6M	Double lab faucet with 6" vacuum breaker spout, serrated tip, and four-arm handles.	-FC, -G, -MY, -MYCS, -PT, -2F, -3F, -4F, -5F, -8M, -16F, -17F, -18F, -19F, -21F, -22F, -23F	1	5.5	670240408203	411.00
Z826U4-6M	Double lab faucet with 6" vacuum breaker spout, serrated tip, and 4" wrist blade handles.	-FC, -G, -MY, -MYCS, -PT, -2F, -3F, -4F, -5F, -8M, -16F, -17F, -18F, -19F, -21F, -22F, -23F	1	5.5	670240262706	501.00
Z826V1-6M	Double lab faucet with 8" vacuum breaker spout, serrated tip, and lever handles.	-FC, -G, -MY, -MYCS, -2F, -3F, -4F, -5F, -8M, -16F, -17F, -18F, -19F, -21F, -22F, -23F	1	5.5	670240262713	414.00
Z826V2-6M	Double lab faucet with 8" vacuum breaker spout, serrated tip, and four-arm handles.	-FC, -G, -MY, -MYCS, -2F, -3F, -4F, -5F, -8M, -16F, -17F, -18F, -19F, -21F, -22F, -23F	1	5.5	670240262720	419.00
Z826V4-6M	Double lab faucet with 8" vacuum breaker spout, serrated tip, and 4" wrist blade handles.	-FC, -G, -MY, -MYCS, -PT, -2F, -3F, -4F, -5F, -8M, -16F, -17F, -18F, -19F, -21F, -22F, -23F	1	5.5	670240262737	509.00
<b>Misc. Lab Faucets</b>						
Z82900	Polypropylene deck mounted single lab faucet for distilled water.		1	2	670240454033	655.00
Z82900-WM	Polypropylene wall mounted single lab faucet for distilled water.		1	2	670240454514	655.00



Z881301



Z82900



Z82900-WM



Z826U1-6M



Z826U2-6M



Z826U4-6M



Z826V1-6M



Z826V2-6M



Z826V4-6M



Z826T1-6M



Z826T2-6M



Z826T4-6M

PRODUCT NO.	DESCRIPTION	OPTIONAL ACCESSORIES	CASE QTY.	WEIGHT (LBS.)	UPC	LIST PRICE
<b>Shower Valve Body</b>						
Z87300-CWO	Metering shower valve body, cold water only.	-IN, -IS	1	1.5	670240457201	201.00
Z87302	Two-valve shower, body only.	-IS	1	3.5	670240442962	342.00
Z87302-CWO	Shower valve body, cold water only.	-IS	1	1.5	-	138.00
<b>Misc. Faucets</b>						
Z800J2-XL-AF-11F	Add-on faucet.	-2F, -3F, -4F, -16F, -17F, -18F	1	2	670240869806	314.00
Z81202-XL-DV	Remote water faucet.		1	4	670240447103	290.00
Z83600-XL	Bubbler.	-IN, -PC, -RKR	1	3.5	670240365339	470.00
<b>Bedpan Washers</b>						
Z85500-XL-WM-EVB-HK-SE-SH	Bedpan washer.	-SH1, -SH2, -SH3, -SH4, -VC	1	13	-	1,549.00
Z87302-EVB-HK-SE-SH	Bedpan washer.	-IS	1	7	-	1,068.00
Z873P2-HK-SE-SH	Bedpan washer.	-IS, -SH1, -SH2, -SH3, -SH4	1	8	-	806.00
Z875L7	Bedpan washer.	-LH, -WHK, -5H	1	2.5	670240409637	370.00
Z877P2-LKS-HK-SH2	Bedpan washer.	-SH, -SH1, -SH3, -SH4	1	3.5	670240447172	595.00
Z877P7-LKS-HK-SH2	Bedpan washer.	-SH, -SH1, -SH3, -SH4	1	3.5	889934093049	597.00



Z87300-CWO



Z87302



Z87302-CWO



Z800J2-XL-AF-11F



Z81202-XL-DV



Z83600-XL



Z85500-XL-WM-EVB-HK-SE-SH



Z87302-EVB-HK-SE-SH



Z873P2-HK-SE-SH



Z875L7



Z877P2-LKS-HK-SH2



Z877P7-LKS-HK-SH2

PRODUCT NO.	DESCRIPTION	OPTIONAL ACCESSORIES	CASE QTY.	WEIGHT (LBS.)	CHICAGO EQUAL	T&S BRASS EQUAL	UPC	LIST PRICE
<b>Sink and Service Sink Faucets</b>								
Z812B1-XL-15F	Centerset faucet with 5-3/8" gooseneck and lever handles.	-FC, -G, -PT, -WM, -2F, -3F, -4F, -5F, -11F, -16F, -17F, -18F, -19F, -21F, -22F	6	4.5	526	B-0325	670240367548	<b>432.00</b>
Z812C4-XL-15F	Centerset faucet with 8" gooseneck and 4" wrist blades.	-FC, -G, -GH, -2F, -3F, -4F, -5F, -11F, -16F, -17F, -18F, -19F, -21F, -22F	6	5	895-317-GN8B		670240368002	<b>488.00</b>
Z812Y1-XL-TWM-15F	Wall mounted faucet with 6" double bend spout and lever handles.	-11F, -16F, -17F, -18F, -19F, -21F, -22F	6	6	521		670240495401	<b>401.00</b>
Z825B1-XL-15F	Single water faucet with 5-3/8" gooseneck and lever handle.	-FC, -G, -PT, -2F, -3F, -4F, -5F, -11F, -12F, -16F, -17F, -18F, -19F, -21F, -22F	1	3	350	B-0305	670240495425	<b>290.00</b>
Z826A1-XL-15F	Dual water faucet with 3-1/2" gooseneck and lever handles.	-FC, -G, -MY, -PT, -2F, -3F, -4F, -5F, -11F, -12F, -16F, -17F, -18F, -19F, -21F, -22F	1	5	50	B-0300	670240495449	<b>416.00</b>
Z831S1-XL-15M	Widespread with 8" bent riser spout and lever handles.	-CWO, -G, -GH, -HS6, -ICT, -P, -PT, -2M, -3M, -4M, -5M, -11M, -16M, -17M, -18M, -19M, -21M, -22M	6	6	201A-HA8	B-2386	670240495463	<b>527.00</b>
Z841F1-XL-15F	Service sink faucet with 6" cast spout and lever handles.	-DM, -SSI, -2F, -3F, -4F, -11F, -16F, -17F, -18F, -19F, -21F, -22F	1	5	445	B-0237	670240495470	<b>482.00</b>
Z841G1-XL-15F	Deck mounted faucet with 8" cast spout and lever handles.	-DM, -SSI, -2F, -3F, -4F, -11F, -16F, -17F, -18F, -19F, -21F, -22F	1	5.5	445-L8		670240495487	<b>496.00</b>
Z841H1-XL-15F	Deck mounted faucet with 12" tubular spout and lever handles.	-DM, -SSI, -2F, -3F, -4F, -11F, -16F, -17F, -18F, -19F, -21F, -22F	1	5.5	445-L12	B-0236	670240495500	<b>446.00</b>
Z841J1-XL-15F	Back mounted faucet with 9-1/2" tubular spout and lever handles.	-SSI, -2F, -3F, -4F, -11F, -16F, -17F, -18F, -19F, -21F, -22F	6	5	445-L9	B-0235	670240495517	<b>448.00</b>



Z812B1-XL-15F



Z812C4-XL-15F



Z812Y1-XL-TWM-15F



Z825B1-XL-15F



Z826A1-XL-15F



Z831S1-XL-15M



Z841F1-XL-15F



Z841G1-XL-15F



Z841H1-XL-15F



Z841J1-XL-15F

FLUSH VALVES

FAUCETS

TEMP-GARD®

TUBULAR BRASS

FIXTURES

AQUAPARTS® REPAIR PARTS AND ASSEMBLIES



PRODUCT NO.	DESCRIPTION	OPTIONAL ACCESSORIES	CASE QTY.	WEIGHT (LBS.)	CHICAGO EQUAL	T&S BRASS EQUAL	UPC	LIST PRICE
<b>Sink and Service Sink Faucets</b> (CONTINUED)								
Z841K1-XL-15F	Back mounted faucet with 13" double-jointed spout and lever handles.	-DJ18, -SSI, -2F, -3F, -4F, -11F, -16F, -17F, -18F, -19F, -21F, -22F	6	6	445-DJ13		670240495524	504.00
Z842F1-XL-15F	Back mounted sink faucet with 6" cast spout and lever handles.	-DM, -LSI, -2F, -3F, -4F, -11F, -16F, -17F, -18F, -19F, -21F, -22F	1	5	540-LD		670240372313	401.00
Z842G1-XL-15F	Back mounted sink faucet with 8" cast spout and lever handles.	-DM, -LSI, -2F, -3F, -4F, -11F, -16F, -17F, -18F, -19F, -21F, -22F	1	5.5	540-LD-L8		670240372627	427.00
Z842H1-XL-15F	Back mounted sink faucet with 12" tubular spout and lever handles.	-DM, -LSI, -2F, -3F, -4F, -11F, -16F, -17F, -18F, -19F, -21F, -22F	1	5.5	540-LD-L12	B-2191	670240372733	477.00
Z842J1-XL-15F	Back mounted sink faucet with 9-1/2" tubular spout and lever handles.	-DM, -LSI, -2F, -3F, -4F, -11F, -16F, -17F, -18F, -19F, -21F, -22F	1	5.5	540-LD-L9	B-2342	670240372894	475.00
Z842J4-XL-DM-15F	Deck mounted faucet with 9-1/2" tubular spout and wrist blade handles.	-CS, -2F, -3F, -4F, -5F, -11F, -16F, -17F, -18F, -19F, -21F, -22F	6	5.5			670240495708	540.00
Z842K1-XL-15F	Back mounted sink faucet with 13" double-jointed spout and lever handles.	-DJ18, -DM, -LSI, -2F, -3F, -4F, -11F, -16F, -17F, -18F, -19F, -21F, -22F	1	6.5	54-LD-DJ13	B-0265	670240372979	519.00
Z843M1	Service sink faucet with 6" vacuum breaker spout, lever handles, pail hook, 3/4" hose end and brace.	-CS, -LSI, -WHK, -5H	6	5.8	897	B-0067-POL	670240581050	471.00
Z843M1-RC	Service sink faucet with 6" vacuum breaker spout, lever handles, pail hook, 3/4" hose end and brace; rough chrome plated.	-CS, -LSI, -WHK, -5H	6	5.8	897-RC	B-0067-RC	670240581067	400.00
Z871C1-XL-TWM-15F	Back mounted sink faucet with 8" rigid/swing gooseneck spout and lever handles.	-11F, -16F, -17F, -18F, -19F, -21F, -22F	6	6		B-1147	670240373648	549.00



Z841K1-XL-15F



Z842F1-XL-15F



Z842G1-XL-15F



Z842H1-XL-15F



Z842J1-XL-15F



Z842J4-XL-DM-15F



Z842K1-XL-15F



Z843M1

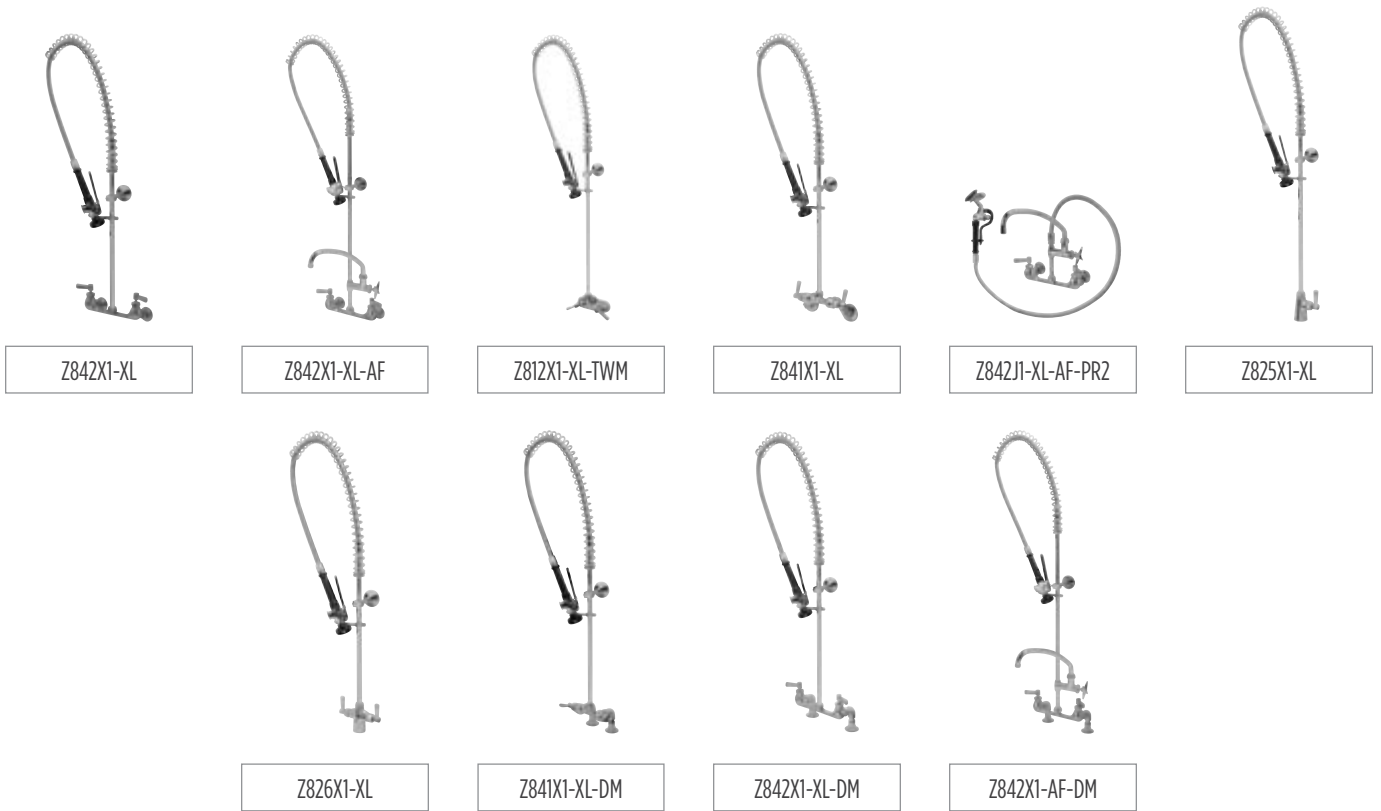


Z843M1-RC



Z871C1-XL-TWM-15F

PRODUCT NO.	DESCRIPTION	OPTIONAL ACCESSORIES	CASE QTY.	WEIGHT (LBS.)	CHICAGO EQUAL	T&S BRASS EQUAL	UPC	LIST PRICE
<b>Pre-Rinse Units</b>								
Z842X1-XL	Pre-rinse faucet with check stops.	-LSI, -PR2, -PR3	1	10	510-GC	B-0133	670240495739	<b>1039.00</b>
Z842X1-XL-AF	Back mounted pre-rinse and pot filler unit with check stops.	-PR2, -PR3	1	12			670240493674	<b>1354.00</b>
Z812X1-XL-TWM	Wall mounted centerset pre-rinse unit and lever handles.	-PR2, -PR3, -H24, -H48, -H60, -H72	1	11			670240495340	<b>875.00</b>
Z841X1-XL	Pre-rinse faucet with check stops.	-PR2, -PR3	1	10	923		670240495531	<b>1039.00</b>
Z842J1-XL-AF-PR2	Pre-rinse and pot filler faucet.	-H24, -H36, -H48, -H72, -PR1, -PR3	1	11	509-GC	B-0175-XL	670240495685	<b>1334.00</b>
Z825X1-XL	Single temperature pre-rinse unit.	-MYCS, -PR2, -PR3	1	9	920	B0173	670240495432	<b>794.00</b>
Z826X1-XL	Pre-rinse faucet with a mixing yoke and check stops.	-PR2, -PR3	1	11	919	B-0113	670240495456	<b>938.00</b>
Z841X1-XL-DM	Deck mounted pre-rinse unit.	-PR2, -PR3	1	10		B-2288	670240495555	<b>1100.00</b>
Z842X1-XL-DM	Deck mounted pre-rinse unit.	-PR2, -PR3	1	10		B-0123	670240495753	<b>1100.00</b>
Z842X1-XL-AF-DM	Deck mounted pre-rinse and pot filler unit with check stops.	-PR2, -PR3, -2F, -3F, -4F, -5F	1	12			670240495746	<b>1412.00</b>



# AQUASPEC® COMMERCIAL PRODUCTS ACCESSORIES

PRODUCT NO.	DESCRIPTION	OPTIONAL ACCESSORIES	CASE QTY.	WEIGHT (LBS.)	UPC	LIST PRICE
<b>Spray Hoses</b>						
Z80000-SH	Hand-held 4' vinyl spray hose for bedpan washer.		1	1	670240433557	150.00
Z80000-SH1	Hand-held 4' vinyl spray hose for bedpan washer.		1	1	670240433564	159.00
Z80000-SH2	Hand-held 4' vinyl angled spray hose for bedpan washer.		1	1.5	670240422469	174.00
Z80000-SH3	Hand-held 4' vinyl angled spray hose with a selfclosing valve for bedpan washer.		1	2	670240419377	370.00
Z80000-SH4	Hand-held 4' vinyl angled spray hose with a selfclosing valve for bedpan washer.		1	2	670240426481	337.00
Z80000-VH36	White vinyl hose with 3/8" male ends.		1	0.5	670240431362	128.00
Z80000-VH48	White vinyl hose with 3/8" male ends.		1	0.5	670240431379	162.00
Z80000-VH72	White vinyl hose with 3/8" male ends.		1	1	670240433793	186.00
Z80000-WHK1	Wall hook for bedpan washer spray hose.		1	1	670240428492	101.00
<b>Turrets</b>						
Z88000	Single outlet gas turret.	-AR, -SK, -SK1, -1B	1	2	670240431065	85.00
Z88100	Turret with two 180° outlets.	-AR, DS, -SK, -SK1, -2B	1	2	670240449084	86.00
Z88200	Turret with two 90° outlets.	-AR, -DS, -SK, -SK1, -2B	1	2	670240429840	86.00
Z88300	Turret with three 90° outlets.	-AR, -SK, -SK1, -3B	1	2	670240429857	90.00
Z88400	Turret with four 90° outlets.	-DS, -SK, -SK1, -4B	1	2	670240429864	92.00
<b>Valves</b>						
Z8001B	Low pressure ball valve gas valve with air, gas, and vacuum indexes.	-CS	1	0.5	670240528949	100.00
Z8002A	High pressure gas valve.	-AIR, -GAS, -STEAM, -VAC	1	1	670240522916	321.00
Z8002C	High pressure gas valve.	-AIR, -GAS, -VAC	1	1	670240522923	176.00
Z8003A	Laboratory water valve.		1	1	670240461895	201.00



Z80000-SH



Z80000-SH1



Z80000-SH2



Z80000-SH3



Z80000-SH4



Z80000-VH\_



Z80000-WHK1



Z88000



Z88100



Z88200



Z88300



Z88400



Z8001B



Z8002A



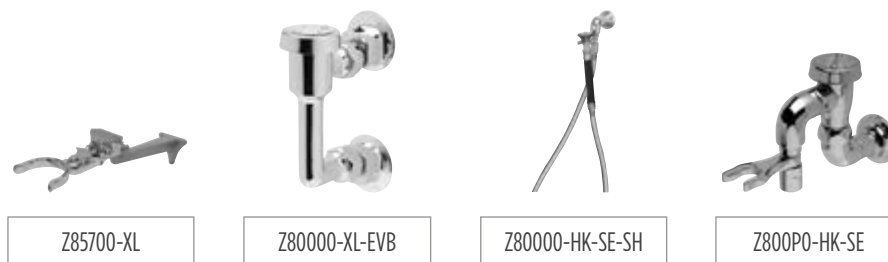
Z8002C



Z8003A

# AQUASPEC® COMMERCIAL PRODUCTS ACCESSORIES

PRODUCT NO.	DESCRIPTION	OPTIONAL ACCESSORIES	CASE QTY.	WEIGHT (LBS.)	UPC	LIST PRICE
<b>Foot Pedal Valve</b>						
Z85100-XL	Floor-mounted, self-closing single foot pedal valve.		1	5.5	670240483774	<b>624.00</b>
Z85100-XL-WM	Wall-mounted, self-closing single foot pedal valve.		1	6.5	670240483835	<b>984.00</b>
Z85500-XL	Floor-mounted, self-closing double foot pedal valve.		1	5.5	670240483781	<b>821.00</b>
Z85500-XL-WM	Wall-mounted, self-closing double foot pedal valve.	-VC	1	9	670240483866	<b>1,260.00</b>
<b>Supply Stops</b>						
Z81006-XL	1/2" OD compression x 1/2" NPT supply stop.	-CR, -LR	12	1	889934068771	<b>110.00</b>
Z81016-XL	3/8" OD compression x 3/8" NPT supply stop.	-CR, -LR	12	1	-	<b>110.00</b>
Z81017-XL	3/8" OD compression x 1/2" NPT supply stop.	-CR, -LR	12	1	889934068757	<b>110.00</b>
<b>Miscellaneous Accessories</b>						
Z85700-XL	Knee action valve with mounting bracket.		1	12.5	670240447059	<b>2,692.00</b>
Z80000-XL-EVB	Elevated atmospheric vacuum breaker.		1	2	670240484023	<b>337.00</b>
Z80000-HK-SE-SH	Supply ell with a hose hook and a spray hose.	-SH1, -SH2, -SH3, -SH4	1	2	-	<b>322.00</b>
Z800P0-HK-SE	Wall supply with a 1/2" vacuum breaker and hose hook.	-SH, -SH1, -SH2, -SH3, -SH4	1	2.5	670240517509	<b>217.00</b>



FLUSH VALVES

FAUCETS

TEMP-GARD®

TUBULAR BRASS

FIXTURES

AQUAPARTS® REPAIR PARTS AND ASSEMBLIES

# AQUASPEC® COMMERCIAL PRODUCTS ACCESSORIES

PRODUCT NO.	DESCRIPTION	OPTIONAL ACCESSORIES	CASE QTY.	WEIGHT (LBS.)	CHICAGO EQUAL	T&S BRASS EQUAL	UPC	LIST PRICE
<b>Pre-Rinse Accessories</b>								
Z800X0-XL-PR1	Pre-rinse unit assembly.	-PR2, -PR3	1	5	919-S		670240481633	704.00
Z800X0-XL-PR1-38	Pre-rinse unit assembly with 3/8" NPT connection.	-PR2, -PR3	1	5		B-1926	-	704.00
Z800X0-XL-AF-PR1	Combination pre-rinse unit and pot filler unit.	-PR2, -PR3	1	6			670240495241	1019.00
Z800H2-XL-AF-11F	Add-On Faucet 12" Spout		1	2			670240786448	314.00
Z800I2-XL-AF-11F	Add-On Faucet 14" Spout		1	2			670240938304	321.00
Z800J2-XL-AF-11F	Add-On Faucet 9-1/2" Spout		1	2			670240869806	314.00
G62739	G62739 self-closing pre-rinse valve with a stay-open ring and rubber bumper spray head.		1	2	80-CP	B-0107	670240508699	207.00
G62740	G62740 angled, self-closing pre-rinse valve with a stay-open ring and rubber bumper spray head.		1	2	82-NEW	2853-40	670240586307	233.00
G62738	G62738 angled, self-closing pre-rinse valve with a stay-open ring and an aerated outlet.		1	2		B-107A	670240586314	211.00
Z80000-RS	Pre-rinse pipe support.		1	1	902	B-0110	670240431027	96.00
61699001	Riser inlet adapter for 3/8" NPT connection.						-	14.00
G66601	Chrome-plated in-line vacuum breaker – female.	-12F					670240545588	81.00
G66602	Chrome-plated in-line vacuum breaker – male.	-12M					670240545595	81.00
<b>Pot Fillers</b>								
Z875F1-15F	Wall mounted faucet with 6" cast spout and lever handle.	-LH, -2F, -3F, -4F, -11F, -16F, -17F, -18F, -19F, -21F, -22F	6	2.5	332	B-0216	889934096958	303.00
Z875K1-15F	Wall mounted faucet with 13" double-jointed spout and lever handle.	-DJ18, -LH, -2F, -3F, -4F, -11F, -16F, -17F, -18F, -19F, -21F, -22F	6	2.5		B-0262	889934100662	392.00
<b>Pot Filler Accessories</b>								
Z80000-HI24	Pre-rinse hose assembly with 6" insulated handle.		1	1.5	-	-	670240584631	120.00
Z80000-HI36	Pre-rinse hose assembly with 6" insulated handle.		1	1.5	-	-	670240584648	138.00
Z80000-HI72	Pre-rinse hose assembly with 6" insulated handle.		1	3	-	-	670240446175	167.00



Z800X0-XI-PR1



Z800X0-XL-PR1-38



Z800X0-XL-AF-PR1



Z800\_2-XL-AF-11F



G62739



G62740



G62738



Z80000-RS



61699001



G66602



Z875F1-15F



Z875K1-15F



Z80000-XL-HI

PRODUCT NO.	DESCRIPTION	OPTIONAL ACCESSORIES	CASE QTY.	WEIGHT (LBS.)	CHICAGO EQUAL	T&S BRASS EQUAL	UPC	LIST PRICE
<b>Hose Reel Accessories</b>								
Z80000-XL-EVB	Elevated atmospheric vacuum breaker.		1	2	892	B-0929	670240484023	337.00
Z87302-CWO	Shower valve body, cold water only.	-IS	1	1.5	770	B-1025	670240451902	138.00
Z87302-CS-IS	Shower valve body, hot and cold water.		1	4	-	-	-	512.00
<b>Glass and Pitcher Fillers</b>								
Z83500-XL	Glass filler	-D13, -WM	1	2.5	709	B-1210	670240447110	399.00
Z83500-XL-WM	Glass filler		1	1	-	-	670240447134	333.00
<b>Basket Strainers</b>								
ZSS250-PC	Chrome-plated brass body with the "It Can't Skip" locknut. Stick-type stainless basket. Neoprene stopper.		40		-	-	670240535411	45.00
ZTT461-PC	Chrome-plated brass body with the "It Can't Skip" locknut. Four-prong stainless basket. Neoprene stopper.		40		-	-	670240535442	45.00
ZSS3000B-SS	Stainless steel stick type – stainless basket. Long shank for use with stainless steel sink.		32		-	-	670240535428	44.00
ZR426B-SS	Jr. 2" basket strainer. All stainless steel; crumb-cup style.		34		-	-	670240552890	20.00
<b>Repair Parts</b>								
G66001	Self-closing Cartridge						670240553927	81.00
G66002	Spray-Face Repair Kit						670240553934	51.00
G66003	Handle and Coupling Screw						670240553941	51.00
G66004	Handle, Washer, and Ring						670240553965	55.00
G66005	Male x Female Adaptor and Washers						670240553958	42.00
61896001	Pre-Rinse Hose Spring						-	81.00
92407001	Pre-Rinse Valve Repair Kit (New Style)						-	42.00



Z80000-XL-EVB



Z87302-CWO



Z87302-CS-IS



Z83500-XL



Z83500-XL-WM



ZSS250-PC



ZTT461-PC



ZSS3000B-SS



ZR426B-SS



G66001



G66002



G66003



G66004



G66005



61896001

PRODUCT NO.	DESCRIPTION	UPC	LIST PRICE
<b>Aerator Adapters</b>			
58252001	Aerator Vandal-Resistant Wrench	-	6.00
60524001	Aerator Adapter for the T, U, and V Spouts/ 3/8 NPSM Male x 3/4-27 Male	-	7.00
61602001	Aerator Adapter 3/4-27 Male x 13/16-27 Male	-	7.00
61766001	Aerator Adapter 3/4-27 Female x 15/16-27 Female	-	7.00
62455001	Aerator Adapter 3/4-27 Female x 3/8-18 Female NPSM	-	7.00
<b>Ceramic Disc XL Cartridges</b>			
59517005	Short Cold XL Quarter-Turn Ceramic Disc Cartridge	-	49.00
59517006	Short Hot XL Quarter-Turn Ceramic Disc Cartridge	-	49.00
59517007	Long Cold XL Quarter-Turn Ceramic Disc Cartridge	-	56.00
59517008	Long Hot XL Quarter-Turn Ceramic Disc Cartridge	-	56.00
G67922	Short Cold/Hot Quarter-Turn Ceramic Disc Cartridges	670240379145	98.00
G67923	Long Cold/Hot Quarter-Turn Ceramic Disc Cartridges	670240379152	111.00
<b>Single Control Mixing Cartridges</b>			
63233001	Single Control Mixing Cartridge for Z823 and Z824	-	53.00
80242001	Single Control Mixing Cartridge for Z822	-	53.00
92882001	VR Single Control Mixing Cartridge for Z822	-	53.00
93354001	VR Single Control Mixing Cartridge for Z823 and Z824	-	53.00
<b>Cover Plates</b>			
61534001	8" Cover Plate Assembly with Mounting Hardware for Z861, Z863, and Z825	-	158.00
G65333	4" Cover Plate Assembly with Mounting Hardware for Z861, Z863, and Z825	670240521674	126.00
G65505	8" Cover Plate for the Z823 Faucet	670240537330	158.00
G65506	4" Cover Plate for the Z822 Faucet	670240538429	126.00
G65514	8" Cover Plate for the Z822 Faucet	670240550162	158.00
<b>Mixing Yokes</b>			
G61681	Suffix Option -MY: Mixing Yoke	670240418318	41.00
G63361	Mixing Yoke for Z825, Z861, Z863	670240463431	96.00
G63362	Mixing Yoke with Check Stops for Z826	670240506916	96.00
G63363	Mixing Yoke with Check Stops for Z825, Z861, Z863	670240511491	96.00

PRODUCT NO.	DESCRIPTION	LIST PRICE
<b>Body Assembly Parts and Mounting Hardware</b>		
59440001	Handle Nut	- 7.00
59532001	Brass Coupling Nut 1/2"	- 7.00
60077001	Widespread Cartridge Cap	- 10.00
60078001	Widespread Cartridge Escutcheon	- 19.00
60080002	Widespread Gooseneck Pop-Up Base with Lift Rod Hole	- 42.00
60082001	Tall Threaded Bell Escutcheon	- 20.00
60144001	Widespread Shank Seal	- 6.00
60145001	Widespread Shank Nut (for -ICT only)	- 7.00
60145002	Widespread Flex Mount Shank Nut	- 5.00
60146001	Widespread Base Mounting Nut	- 7.00
60147001	Widespread Base Mounting Washer	- 5.00
60148001	Widespread Base Mounting Gasket	- 5.00
60249332	Widespread Stainless Steel Flex Hose	- 14.00
60382001	Widespread Fitting Washer	- 5.00
60383001	E Type Retaining Ring	- 5.00
60444001	Widespread Body Friction Washer	- 5.00
60444002	Widespread Friction Washer	- 5.00
60445001	Widespread Body Mounting Nut	- 11.00
60455001	Widespread Gasket	- 5.00
60467001	Centerset Gooseneck Base (New Style)	- 43.00
60467002	Kitchen Faucet Base with C/L Mark	- 32.00
60505001	Pop-Up Drain Assembly (-P)	- 85.00
60807001	Handle Nut (for #7 Handle Option)	- 32.00
60816001	Widespread Metering Escutcheon	- 12.00
61276002	Widespread Flex Mount Base Assembly with Hole	- 43.00
61276003	Widespread Flex Mount Base Assembly	- 41.00
61283002	Flex Mount Tee Assembly with Third Water Way (Flex Only)	- 84.00
61319001	Kitchen Hose and Spray Assembly (Standard -HS Option)	- 78.00
61406001	Widespread Flat Handle Escutcheon (#3, #5 Handles Only)	- 12.00
61488001	Cover Plate Stud	- 6.00
61625001	Extension -2XT	- 43.00
61625002	Extension -5XT	- 92.00
63534001	Plug for the Lift Rod Hole for Z81200-P	- 6.00
G60502	Mounting and Coupling Nuts	670240418646 12.00
G60530	Copper Supply Tubes for the Z822, Z823, Z824	670240414594 30.00
G61073	Mounting Bag for the Z826	670240418448 14.00
G61080	ICT Mounting Hardware Bag	670240418462 32.00
G61859	Flex Mounting Hardware Bag	670240441101 67.00
G63241	Mounting Components for Z82200	670240457690 64.00
G63272	Brass Mounting Nuts	670240458246 23.00
G63366	Mounting Nuts (Pair)	670240463080 5.00
G63367	Mounting Nut (Single)	670240463097 5.00
G67898	Tee Assembly for Z831 Flex	670240365346 69.00
G65339	Mounting Hardware for -P	670240543096 70.00
G67915	Copper Supply Tubes for the Z826	670240367036 127.00

# AQUASPEC® REPAIR PARTS

PRODUCT NO.	DESCRIPTION	LIST PRICE
<b>Supply Arms</b>		
G60528	Long Supply Arm and Integral Stop Assembly	670240414587 <b>94.00</b>
G60551	Rough Chrome Long Supply Arm with Integral Stop Assembly	670240418578 <b>78.00</b>
G63347	Short Supply Arm with Check Stops	670240506923 <b>98.00</b>
G63364	Long Supply Arm with Check Stops	670240506930 <b>174.00</b>
G65336	Short Supply Arm Standard	670240522190 <b>49.00</b>
G66604	Deck Mount Supply Arm Assembly for the Z841 and Z842	670240554405 <b>84.00</b>
G66605	Deck Mount Supply Arm Assembly with Check Stops for the Z841 and Z842	670240554412 <b>94.00</b>
G66618	90° Supply Arm Elbow with Check Stops for Exposed Pipe Installation	670240574311 <b>98.00</b>

<b>Metering Parts</b>		
G60561	Handle Nut Assembly	670240414631 <b>29.00</b>
G61754	Metering Valve (Sleeve and Poppet)	670240625877 <b>53.00</b>
G65503	Cap Sealing Washer Assembly for Metering Handle Nut	670240529793 <b>6.00</b>
G68020	Metering Shank Filter Assembly	670240496811 <b>43.00</b>
G67889	Metering Repair Kit	670240355620 <b>127.00</b>

PRODUCT NO.	DESCRIPTION	LIST PRICE
<b>Handle Parts</b>		
59454001	Red Plastic Index Button for Handles	- <b>6.00</b>
59454002	Blue Plastic Index Button for Handles	- <b>6.00</b>
59454003	Black Plastic Index Button for Handles	- <b>6.00</b>
60460001	Red Plastic Index Button for Metering Handles	- <b>5.00</b>
60460002	Blue Plastic Index Button for Metering Handles	- <b>5.00</b>
60460003	Black Plastic Index Button for Metering Handles	- <b>5.00</b>
62464001	10-32 x .75 Stainless Steel Phillips Handle Screw	- <b>5.00</b>
62705001	Metering Handle Setscrew	- <b>5.00</b>
63234001	1/4" Knurled Cup Point Setscrew for Single Control Handle	- <b>6.00</b>
G60500	One Hot and One Cold Index Bag	670240414532 <b>5.00</b>
G63237	Single Control Handle Assembly	670240457669 <b>133.00</b>
G60548	Color-Coded Index Bag: Red/Black/Blue	670240418639 <b>5.00</b>
G60558	Metering Index Bag: Blue, Black, Red	670240418523 <b>5.00</b>
G60562	Indexes Metering Hot and Cold	670240418530 <b>5.00</b>
G66684	Decorative Hot/Cold Indexes	670240651739 <b>13.00</b>

PRODUCT NO.	DESCRIPTION	LIST PRICE
<b>Single Handles</b>		
Handle Bag Contains: One Handle, One Red Index, One Blue Index, One Black Index, and One 10-32 x .75 Phillips Head Screw.		
G61071	Single Handle Option #1: 2-1/2" Lever Handle	670240418479 <b>23.00</b>
G61072	Single Handle Option #2: 3" Diameter Four-Arm Handle	670240418486 <b>26.00</b>
G60573	Single Handle Option #3: 2" Dome Lever Handle	670240418554 <b>28.00</b>
G60574	Single Handle Option #4: 4" Wrist Blade Handle	670240418561 <b>72.00</b>
G60576	Single Handle Option #6: 6" Wrist Blade Handle	670240418509 <b>77.00</b>
G63464	Single Handle Option #7: Tee Handle (No Indexes Available)	670240506589 <b>27.00</b>

<b>Pair of Handles</b>		
Handle Bag Contains: Two Handles, One Red Index, One Blue Index, and Two 10-32 x .75 Phillips Head Screws.		
G60501	Handle Option #1: Two 2-1/2" Lever Handles	670240414495 <b>42.00</b>
G60503	Handle Option #2: Two 3" Diameter Four-Arm Handles	670240414501 <b>47.00</b>
G60515	Handle Option #3: Two 2" Dome Lever Handles	670240414549 <b>53.00</b>
G60504	Handle Option #4: Two 4" Wrist Blade Handles	670240414518 <b>139.00</b>
G60508	Handle Option #6: Two 6" Wrist Blade Handles	670240414525 <b>150.00</b>

<b>Metering Handles</b>		
G60522	Single Tempered Push Handle Assembly Metering	670240414556 <b>49.00</b>
G61640	Single Hot Metering Handle	670240418370 <b>49.00</b>
G61641	Single Cold Metering Handle	670240418387 <b>49.00</b>
G61830	Hot and Cold Metering Handle (Handle Bag Contains: Index, Setscrew, and Handle.)	670240460874 <b>92.00</b>
G66678	Single Hot Institutional Metering Handle	670240665620 <b>64.00</b>
G66679	Single Cold Institutional Metering Handle	670240665637 <b>64.00</b>
G66680	Single Tempered Institutional Metering Handle	670240665644 <b>64.00</b>
G66681	Metering Rocker Handle, Hot	670240403567 <b>79.00</b>
G66682	Metering Rocker Handle, Cold	670240403574 <b>79.00</b>
G66683	Metering Rocker Handle, Tempered (Does not include index and setscrew.)	670240403581 <b>79.00</b>

When ordering parts, always list product number and description.  
XL suffix denotes a Lead-free product.

For additional product information, please visit [www.zurn.com](http://www.zurn.com).



# AQUASPEC® REPAIR PARTS

PRODUCT NO.	DESCRIPTION	LIST PRICE
<b>Spouts</b>		
Spouts are shipped completed with a 5/8" spout nut. (Aerators must be ordered separately.)		
G61920	'D' Spout: 7-1/2" Cast Vacuum Breaker Spout with Bottom Support and Pipe Brace	670240441125 131.00
G61922	'D' Spout (-LVB): 7-1/2" Cast Spout with Threaded Outlet and Pail Hook	670240441149 208.00
G61995	E' Spout: Wall-Mounted 7-1/2" Cast Spout Top Brace and Pail Hook	670240441262 104.00
G66619	'J-18' Spout: 18" Tubular Brass Swing Spout	670240583535 98.00
G63510	DJ-18 Lower Spout Assembly for Use with 'K' Spout	670240511842 32.00
G62494	'K-DJ-18' Spout: Used with the K Spout for 18" Length	670240460201 215.00
G61078	Lower Spout Assembly for 'K' Spout	670240414396 76.00
G60553	'L' Spout (Rough Chrome): 2-1/2" Vacuum Breaker Spout with Integral 3/4" Hose Thread	670240418585 168.00
G60526	'L' Spout: 2-1/2" Vacuum Breaker Spout with Integral 3/4" Hose Thread	670240414570 168.00
G60554	'M' Spout: 5" Vacuum Breaker Spout with Wall Brace	670240414600 218.00
G60555	'M' Spout (Rough Chrome): 5" Vacuum Breaker Spout with Wall Brace	670240418592 218.00
G60556	'N' Spout: 6" Centerline Cast Vacuum Breaker Spout with 3/4" Hose Thread	670240414617 218.00
G60557	N' Spout Less Hook (Rough Chrome): 6" Centerline Cast Vacuum Breaker Spout with 3/4" Hose Thread	670240418608 188.00

PRODUCT NO.	DESCRIPTION	LIST PRICE
<b>Spout Parts</b>		
58155018	Gooseneck O-ring	- 5.00
59435001	Spout Nut	- 11.00
59436001	Rigid Washer for Spouts	- 6.00
59441001	Bearing Washer	- 7.00
59459001	Spout Seal	- 6.00
59460001	Retaining Ring	- 6.00
59666001	Split Swing Washer	- 6.00
60510001	2.0 gpm Flow Control Assembly	- 14.00
60549001	Friction Washer	- 6.00
60951001	3/8" Vacuum Breaker Polished Chrome Plated	- 49.00
61896001	Pre-Rinse Hose Spring	- 81.00
62301001	VB Repair Kit 1/2"	- 28.00
63219001	VB Repair Kit 3/8"	- 28.00
G60523	Spout Repair Kit Swing Only (Contains: 59441001, 59460001, and 59459001)	670240414563 11.00
G61924	2XT Brace Assembly	670240441170 81.00
G61928	5XT Brace Assembly	670240441200 92.00

PRODUCT NO.	DESCRIPTION	LIST PRICE
<b>Lead-free (XL) Spouts</b>		
G67851	'A' Spout: 3-1/2" Centerline Gooseneck	670240358737 75.00
G67856	'A' Spout: 3-1/2" Flow Control Centerline	670240358768 75.00
G67983	'A' Swing Spout: 140° Restricted	670240471047 223.00
G67852	'B' Spout: 5-3/8" Centerline Gooseneck	670240358744 78.00
G67857	'B' Spout: 5-3/8" Flow Control Centerline	670240358775 85.00
G67984	'B' Swing Spout: 140° Restricted	670240471054 236.00
G67853	'C' Spout: 8" Centerline Gooseneck	670240358751 133.00
G67858	'C' Spout: 8" Flow Control Centerline	670240358782 147.00
G67985	'C' Swing Spout: 140° Restricted	670240471061 296.00
G67890	'F' Spout: 6" Cast Brass	670240370869 74.00
G67891	'G' Spout: 8" Cast Brass	670240365377 102.00
G67892	'H' Swing Spout: 12" Tubular Brass	670240370876 51.00
G67893	'I' Swing Spout: 14" Tubular Brass	670240370883 62.00
G67894	'J' Swing Spout 9-1/2" Tubular Brass	670240374751 49.00
G67987	'J' Swing Spout: 140° Restricted	670240471085 200.00
G67895	'K' Swing Spout: 13" Double-Jointed Brass	670240370890 204.00
G67866	'R' Spout: 5" Centerline Flex Connection with Pop-up	670240358799 115.00
G67867	'R' Spout: 5" Centerline Flex Connection	670240358805 115.00
G67868	'R' Spout: 5" Centerline Low Profile -ICT	670240358812 115.00
G67869	'R' Spout: 5" Centerline Low Profile -ICT with Pop-up	670240358829 115.00
G67986	'S' Swing Spout: 140° Restricted	670240471078 322.00
G67963	'S' Spout 8" Bent Riser Spout	670240446373 158.00
G67990	'T' Spout 4-1/2" Centerline Vacuum Breaker Spout	670240486539 81.00
G67991	'U' Spout 6" Centerline Vacuum Breaker Spout	670240486546 96.00
G67992	'V' Spout 8" Centerline Vacuum Breaker Spout	670240486553 103.00
G67964	'Y' Spout 6" Tubular Brass Spout	670240446380 57.00



# NOTES

FLUSH VALVES

FAUCETS

TEMP-GARD®

TUBULAR BRASS

FIXTURES

AQUAPARTS® REPAIR PARTS  
AND ASSEMBLIES

# TEMP-GARD®

<b>TEMP-GARD® FAUCETS</b>	<b>92</b>	<b>TEMP-GARD® AQUA-PANEL OPTIONS</b>	<b>99</b>	MISCELLANEOUS TEMP-GARD I PARTS	104
SIERRA® LEAD-FREE FAUCETS	92	AQUA-PANEL OPTIONS	99	MISCELLANEOUS TEMP-GARD III PARTS	104
SIERRA® CERAMIC DISC KITCHEN FAUCETS	92	SHROUD THICKNESS MODIFICATIONS	99	SHOWER VALVE REPAIR KITS FOR AQUA-PANEL	105
SIERRA® 4" CENTERSSET FAUCET	92	CUSTOM MODIFICATIONS	99	MISCELLANEOUS AQUA-PANEL PARTS	105
AERATOR OPTIONS (NOT AVAILABLE IN SATIN)	92	<b>TEMP-GARD® ACCESSORIES</b>	<b>100</b>	SIERRA® FAUCET REPAIR KITS	105
STRAINER OPTIONS	92	TEMP-GARD I SHOWER VALVE SERIES HANDLES	100	SIERRA® FAUCET AERATORS, Z7440	105
MISCELLANEOUS OPTIONS	92	TEMP-GARD III SHOWER VALVE SERIES HANDLES	100	SIERRA® FAUCET HANDLES, Z7440	105
<b>TEMP-GARD® SERIES I - SHOWER VALVES</b>	<b>93</b>	ARMS	100	SIERRA® FAUCET AERATORS, Z74500	105
Z7100 SERIES	93	CONVERSION HARDWARE FOR SHOWER VALVES	100	Z74500, Z74600, AND Z74700 HANDLES AND INDEXES	105
Z7101 SERIES	93	SHOWER HEADS	100	MISCELLANEOUS SIERRA® FAUCET PARTS	105
Z7120 SERIES	94	INSTITUTIONAL SHOWER HEADS	101	Z7870 SERIES REPAIR KITS	105
Z7121 SERIES	94	DIVERTER VALVES AND SPRING CHECKS	101	Z7870C SERIES AERATORS	105
Z7200 SERIES	94	MISCELLANEOUS DIVERTER VALVE PARTS	101		
Z7201 SERIES	95	HANDWALL UNITS	101		
Z7220 SERIES	95	HANDSHOWER UNITS	102		
Z7221 SERIES	95	MISCELLANEOUS HANDWALL PARTS	102		
<b>TEMP-GARD® SERIES III - SHOWER VALVES</b>	<b>96</b>	HANDWALL AND HANDSHOWER OPTIONS/ACCESSORIES	102		
Z7300 SERIES	96	TUB SPOUTS	102		
Z7301 SERIES	96	ATMOSPHERIC VACUUM BREAKERS	102		
Z7302 SERIES	96	METERING VALVES	102		
<b>TEMP-GARD® AQUA-PANEL</b>	<b>97</b>	REPAIR KIT FOR METERING VALVE	102		
Z7500 SERIES	97	TRACT PACKS FOR TEMP-GARD I SERIES VALVES	102		
Z7500-CR SERIES	97	TRACT PACKS FOR TEMP-GARD III SERIES VALVES	103		
Z7500-FL SERIES	97	TRIM PACKS FOR TEMP-GARD I SERIES VALVES	103		
Z7500-TS SERIES	98	TRIM PACKS FOR TEMP-GARD III SERIES VALVES	104		
Z7500-W2 SERIES	98	SHOWER VALVE REPAIR KITS FOR TEMP-GARD I SERIES VALVES	104		
Z7500-W3 SERIES	98	SHOWER VALVE REPAIR KITS FOR TEMP-GARD III SERIES VALVES	104		
Z7530 SERIES	98				
Z7533 SERIES	99				
Z7550 SERIES	99				

# TEMP-GARD® FAUCETS

PRODUCT NO. DESCRIPTION UPC LIST PRICE

## Sierra® Lead-free Faucets

Polished chrome-plated 4" centerset single control lavatory faucet with 5" integral spout, a ceramic disc cartridge and a temperature limit stop. Unit is furnished with 2.2 GPM variable orifice aerator (complying with ANSI A112.18.1M Standard for flow), an ADA compliant lever handle, 3/8" stainless steel flex hose 18 inches in length with 3/8" female compression fitting. Standard units and models listed below.

Z7440-XL	4" centerset Sierra faucet with 1/2" IPS connections, lever handle, and no pop-up hole	670240365926	327.00
Z7441-XL	4" centerset Sierra faucet with 1/2" IPS connections, lever handle, and lift rod	670240371750	338.00
Z7442-XL	4" centerset Sierra faucet with 1/2" IPS connections, lever handle, and metal pop-up	670240370937	378.00
Z7443-XL	4" centerset Sierra faucet with 1/2" IPS connections, lever handle, no pop-up hole, and grid strainer	670240370968	355.00

## Sierra® Ceramic Disc Kitchen Faucets

Polished chrome-plated 8" centerset single control kitchen faucet with integral 8" brass D-tube swing spout and a ceramic disc cartridge. Unit is furnished with 2.2 GPM variable orifice aerator (complying with ANSI A112.18.1M Standard for flow), an ADA compliant lever handle, 3/8" stainless steel flex hose 18 inches in length with 3/8" female compression fitting, cover plate, remote mounted hose spray with escutcheon, and mounting hardware.

Z7872C-XL	8" Centerset Single Control Kitchen Faucet with Hose Spray	670240376052	374.00
Z7870C-XL	8" Centerset Single Control Kitchen Faucet, Less Hose Spray	670240376045	325.00

## Sierra® 4" Centerset Faucet

Polished chrome-plated 4" centerset faucet with integral shanks, quarter-turn ceramic disc cartridges, and a 4-1/2" centerline integral spout. Unit is furnished with a 2.2 GPM variable orifice aerator (complying with ANSI A112.18.1 Standard for flow), 2-1/2" vandal-resistant brass lever handles, mounting hardware, and 1/2" coupling nuts for standard lavatory risers.

Z74500-XL	Polished Chrome-Plated 4" Centerset Faucet	670240861213	237.00
-----------	--	--------------	--------

SUFFIX ADD

### Aerator Options (Not Available in Satin)

-FC	0.5 GPM vandal-resistant aerator	-	26.00
-LA	2.2 GPM laminar flow outlet	-	41.00
-SO	1.0 GPM spray outlet	-	74.00
-VP	2.2 GPM vandal-resistant aerator	-	10.00

### Strainer Options

-G	Grid strainer (Z8743-PC)	-	49.00
-GH	ADA grid strainer (Z8746-PC)	-	99.00

### Miscellaneous Options

-CST	3/8" copper inlets for Z744_-XL ONLY	-	26.00
-P	Pop-up drain (7342-PUA)	-	85.00
-PR	ADA trap, stop, and supply protectors (Z8946-1-NT)	-	131.00
-PRH	ADA trap, stop, and supply protectors for offset grid strainer (Z8946-3-NT)	-	165.00



Z744\_XL



Z7872C-XL



Z74500-XL

# TEMP-GARD® SERIES I - SHOWER VALVES

PRODUCT NO.	DESCRIPTION	OPTIONAL ACCESSORIES	WEIGHT (LBS.)	UPC	LIST PRICE
<b>Z7100 Series</b>					
All Z7100 units are shower only. Shower with arm and shower heads may not be added (see Z7101 series). Does not include shower head, shower arm, or the arm escutcheon. 1/2" female copper solder inlet connections are standard. ASSE Listed 1016, IAPMO Listed, CSA Certified B125.					
Z7100-SS-LH	The Z7120 series shower valve is a shower only with service stops and integral volume control that incorporates the pressure balanced piston design feature. One cold inlet port and one hot inlet port, with a shower outlet port. The valve includes ABS plastic chrome-plated trim (cover, escutcheon, and metal lever handle).	-BC, -CC, -DT, -DV-2P, -HW, -HW6, -IP, -MT, -RC, -SC, -WF	4	670240605305	<b>393.00</b>
Z7100-SS-MT	The Z7100 series shower valve is a shower only with service stops that incorporates the pressure balanced piston design feature. One cold inlet port and one hot inlet port, with a shower outlet port. The valve includes metal chrome-plated trim (cover, nut, escutcheon, and metal lever handle).	-BC, -CC, -DT, -DV-2P, -HW, -HW6, -IP, -RC, -SC, -WF	4.5	-	<b>431.00</b>
Z7100-SS-LH-HW	The Z7100 series shower valve is a shower only with service stops that incorporates the pressure balanced piston design feature. One cold inlet port and one hot inlet port, with a shower outlet port. The valve includes ABS plastic chrome-plated trim (cover, escutcheon, and metal lever handle). Unit is also furnished with handwall shower unit, 60" metal hose, standard handset, supply elbow and flange, 24" slide bar.	-BC, -CC, -DT, -DV-2P, -H7, -H9, -HW6, -IP, -MT, -RC, -SC, -WF	7.5	-	<b>450.00</b>
<b>Z7101 Series</b>					
All Z7101 units are shower only with accessories (Z7000-S1 and Z7000-A1). Includes shower head, shower arm, and the arm escutcheon. 1/2" female copper solder inlet connections are standard. ASSE Listed 1016, IAPMO Listed, CSA Certified B125.					
Z7101-SS-LH	The Z7101 series shower valve is a shower only with service stops that incorporates the pressure balanced piston design feature. One cold inlet port and one hot inlet port, with a shower outlet port. The valve includes ABS plastic chrome-plated trim (cover, escutcheon, and metal lever handle).	-A2, -BC, -CC, -DT, -DV-2P, -HW, -HW6, -IP, -MT, -RC, -SC, -S5, -S6, -S7, -S8, -S9, -S10, -WF	4	670240605329	<b>437.00</b>
Z7101-SS-MT	The Z7101 series shower valve is a shower only with service stops that incorporates the pressure balanced piston design feature. One cold inlet port and one hot inlet port, with a shower outlet port. The valve includes metal chrome-plated trim (cover, nut, escutcheon, and metal lever handle).	A2, -BC, -CC, -DT, -DV-2P, -HW, -HW6, -IP, -RC, -SC, -S5, -S6, -S7, -S8, -S9, -S10, -WF	4.5	670240392694	<b>474.00</b>
Z7101-SS-LH-DV-2P-HW	The Z7101 series shower valve is a shower only with service stops that incorporates the pressure balanced piston design feature. One cold inlet port and one hot inlet port, with a shower outlet port. The valve includes ABS plastic chrome-plated trim (cover, escutcheon, and metal lever handle). Unit is also furnished with two-way diverter valve (DV-2P), handwall unit, 60" metal hose, standard handset, supply elbow and flange, 24" slide bar.	-A2, -BC, -CC, -DT, -H7, -H9, -HW6, -IP, -MT, -RC, -SC, -S5, -S6, -S7, -S8, -S9, -S10, -WF	7.5	-	<b>985.00</b>



Z7100-SS-\_\_\_

Z7100-SS-LH-HW

Z7101-SS-\_\_\_

Z7101-SS-LH-DV-2P-HW

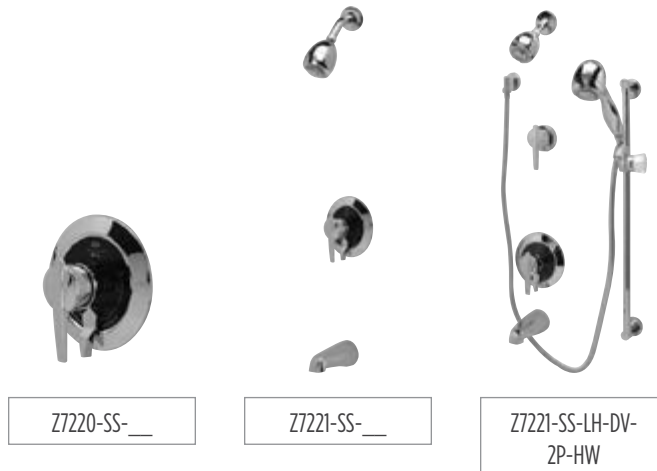
PRODUCT NO.	DESCRIPTION	OPTIONAL ACCESSORIES	WEIGHT (LBS.)	UPC	LIST PRICE
<b>Z7120 Series</b>					
All Z7120 units are shower only with volume control. Shower arm and shower heads may not be added (see Z7121 series). Does not include shower head, shower arm, or the arm escutcheon. 1/2" female copper solder inlet connections are standard. ASSE Listed 1016, IAPMO Listed, CSA Certified B125.					
Z7120-SS-LH	The Z7120 series shower valve is a shower only with service stops and integral volume control that incorporates the pressure balanced piston design feature. One cold inlet port and one hot inlet port, with a shower outlet port. The valve includes ABS plastic chrome-plated trim (cover, escutcheon, and metal lever handle).	-BC, -CC, -DT, -DV-2P, -HW, -HW6, -IP, -MT, -RC, -SC, -WF	4	670240605343	429.00
Z7120-SS-MT	The Z7120 series shower valve is a shower only with service stops and integral volume control that incorporates the pressure balanced piston design feature. One cold inlet port and one hot inlet port, with a shower outlet port. The valve includes metal chrome-plated trim (cover, nut, escutcheon, and metal lever handle).	-BC, -CC, -DT, -DV-2P, -HW, -HW6, -IP, -RC, -SC, -WF	4.5	670240605565	518.00
Z7120-SS-LH-HW	The Z7120 series shower valve is a shower only with service stops and integral volume control that incorporates the pressure balanced piston design feature. One cold inlet port and one hot inlet port, with a shower outlet port. The valve includes ABS plastic chrome-plated trim (cover, escutcheon, and metal lever handle). Unit is also furnished with handwall shower unit, 60" metal hose, standard handset, supply elbow and flange, 24" slide bar.	-BC, -CC, -DT, -DV-2P, -H7, -H9, -HW6, -IP, -MT, -RC, -SC, -WF	7.5	-	750.00
<b>Z7121 Series</b>					
All Z7121 units are shower only with volume control and accessories (Z7000-S1 and Z7000-A1).					
Z7121-SS-LH	The Z7121 series shower valve is a shower only with service stops and integral volume control that incorporates the pressure balanced piston design feature. One cold inlet port and one hot inlet port, with a shower outlet port. The valve includes ABS plastic chrome-plated trim (cover, escutcheon, and metal lever handle). The Z7121 includes shower head, shower arm, or the arm escutcheon. 1/2" female copper solder inlet connections are standard. ASSE Listed 1016, IAPMO Listed, CSA Certified B125.	A2, -BC, -CC, -DT, -DV-2P, -HW, -HW6, -IP, -MT, -RC, -SC, -S5, -S6, -S7, -S8, -S9, -S10, -WF	4.5	670240390652	527.00
Z7121-SS-MT	The Z7121 series shower valve is a shower only with service stops and integral volume control that incorporates the pressure balanced piston design feature. One cold inlet port and one hot inlet port, with a shower outlet port. The valve includes metal chrome-plated trim (cover, nut, escutcheon and metal lever handle). The Z7121 includes shower head, shower arm, or the arm escutcheon. 1/2" female copper solder inlet connections are standard. ASSE Listed 1016, IAPMO Listed, CSA Certified B125.	-A2, -BC, -CC, -DT, -DV-2P, -HW, -HW6, -IP, -RC, -SC, -S5, -S6, -S7, -S8, -S9, -S10, -WF	5	-	561.00
<b>Z7200 Series</b>					
All Z7200 units are tub and shower mixing valves. Shower arm, shower heads, and tub spouts may not be added (see the Z7201 series). Does not include shower head, shower arm, arm escutcheon or tub spout. 1/2" female solder inlet connections are standard. ASSE Listed 1016, IAPMO Listed, CSA Certified B125.					
Z7200-SS-LH	The Z7200 series is a tub and shower mixing valve with service stops that incorporates the pressure balance piston design feature. It is supplied with built-in choke and adjustable stop screw to limit maximum temperature. The valve includes ABS plastic chrome-plated trim (cover, escutcheon, and metal lever handle).	-BC, -CC, -DT, -DV-2P, -HW, -HW6, -IP, -MT, -RC, -SC, -WF	4	670240605374	408.00
Z7200-SS-MT	The Z7200 series is a tub and shower mixing valve with service stops that incorporates the pressure balance piston design feature. It is supplied with built-in choke and adjustable stop screw to limit maximum temperature. The valve includes metal chrome-plated trim (cover, nut, escutcheon, and metal lever handle).	-BC, -CC, -DT, -DV-2P, -HW, -HW6, -IP, -RC, -SC, -WF	4.5	670240605572	444.00
Z7200-SS-LH-HW	The Z7200 series is a tub and shower mixing valve with service stops that incorporates the pressure balance piston design feature. It is supplied with built-in choke and adjustable stop screw to limit maximum temperature. The valve includes ABS plastic chrome-plated trim (cover, escutcheon, and metal lever handle). Unit is also furnished with handwall shower unit, 60" metal hose, standard handset, supply elbow and flange, 24" slide bar.	-BC, -CC, -DT, -DV-2P, -H7, -H9, -HW6, -IP, -MT, -RC, -SC, -WF	7.5	-	727.00



For additional product information, please visit [www.zurn.com](http://www.zurn.com).

When ordering parts, always list product number and description.

PRODUCT NO.	DESCRIPTION	OPTIONAL ACCESSORIES	WEIGHT (LBS.)	UPC	LIST PRICE
<b>Z7201 Series</b>					
All Z7201 units are tub and shower mixing valves with accessories (Z7000-A1, Z7000-S1 and Z7000-T2). Does include shower head, shower arm, arm escutcheon, and tub spout. 1/2" female solder inlet connections are standard. ASSE Listed 1016, IAPMO Listed, CSA Certified B125.					
Z7201-SS-LH	The Z7201 series is a tub and shower mixing valve with service stops that incorporates the pressure balance piston design feature. It is supplied with built-in choke and adjustable stop screw to limit maximum temperature. The valve includes ABS plastic chrome-plated trim (cover, escutcheon, and metal lever handle).	-A2, -BC, -CC, -DT, -DV-2P, -HW, -HW6, -IP, -MT, -RC, -SC, -S5, -S6, -S7, -S8, -S9, -S10, -T2-SJ, -T4, -WF	4.5	670240605398	493.00
Z7201-SS-MT	The Z7201 series is a tub and shower mixing valve with service stops that incorporates the pressure balance piston design feature. It is supplied with built-in choke and adjustable stop screw to limit maximum temperature. The valve includes metal chrome-plated trim (cover, nut, escutcheon, and metal lever handle).	-A2, -BC, -CC, -DT, -DV-2P, -HW, -HW6, -IP, -RC, -SC, -S5, -S6, -S7, -S8, -S9, -S10, -T2-SJ, -T4, -WF	5	670240605589	527.00
<b>Z7220 Series</b>					
All Z7220 units are tub and shower mixing valves with volume control/ integral diverter. Shower arm, shower heads, and tub spouts may not be added (see Z7221 series). Does not include shower head, shower arm, arm escutcheon or tub spout. 1/2" female solder inlet connections are standard. ASSE Listed 1016, IAPMO Listed, CSA Certified B125.					
Z7220-SS-LH	The Z7220 series is a tub and shower mixing valve with service stops and integral diverter that incorporates the pressure balance piston design feature. It is supplied with integral diverter valve and adjustable stop screw to limit maximum temperature. The valve includes ABS plastic chrome-plated trim (cover, escutcheon, and metal lever handle).	-BC, -CC, -DT, -DV-2P, -HW, -HW6, -IP, -MT, -RC, -SC, -WF	4	670240605404	473.00
Z7220-SS-MT	The Z7220 series is a tub and shower mixing valve with service stops and integral diverter that incorporates the pressure balance piston design feature. It is supplied with integral diverter valve and adjustable stop screw to limit maximum temperature. The valve includes metal chrome-plated trim (cover, nut, escutcheon, and metal lever handle).	-BC, -CC, -DT, -DV-2P, -HW, -HW6, -IP, -RC, -SC, -WF	4.5	-	501.00
<b>Z7221 Series</b>					
All Z7221 units are tub and shower mixing valves with volume control/integral diverter. Units include accessories (Z7000-A1, Z7000-S1, and Z7000-T1). Does include shower head, shower arm, arm escutcheon, and tub spout. 1/2" female solder inlet connections are standard. ASSE Listed 1016, IAPMO Listed, CSA Certified B125.					
Z7221-SS-LH	The Z7221 series is a tub and shower mixing valve with service stops and integral diverter that incorporates the pressure balance piston design feature. It is supplied with integral diverter valve and adjustable stop screw to limit maximum temperature. The valve includes ABS plastic chrome-plated trim (cover, escutcheon, and metal lever handle).	-A2, -BC, -CC, -DT, -DV-2P, -HW, -HW6, -IP, -MT, -RC, -SC, -S5, -S6, -S7, -S8, -S9, -S10, -T1-SJ, -T3, -WF	4.5	670240605411	532.00
Z7221-SS-MT	The Z7221 series is a tub and shower mixing valve with service stops and integral diverter that incorporates the pressure balance piston design feature. It is supplied with integral diverter valve and adjustable stop screw to limit maximum temperature. The valve includes metal chrome-plated trim (cover, nut, escutcheon, and metal lever handle).	-A2, -BC, -CC, -DT, -DV-2P, -HW, -HW6, -IP, -RC, -SC, -S5, -S6, -S7, -S8, -S9, -S10, -T1-SJ, -T3, -WF	5	-	564.00
Z7221-SS-LH-DV-2P-HW	The Z7221 series is a tub and shower mixing valve with service stops and integral diverter that incorporates the pressure balance piston design feature. It is supplied with integral diverter valve and adjustable stop screw to limit maximum temperature. The valve includes ABS plastic chrome-plated trim (cover, escutcheon, and metal lever handle). Unit is also furnished with two-way diverter valve (DV-2P), handwall unit, 60" metal hose, standard handset, supply elbow and flange, 24" slide bar.	-A2, -BC, -CC, -DT, -DV-3P, -H7, -H9, -HW6, -IP, -MT, -RC, -SC, -S5, -S6, -S7, -S8, -S9, -S10, -T1-SJ, -T3, -WF	8	-	1,080.00





# TEMP-GARD® SERIES III - SHOWER VALVES

PRODUCT NO.	DESCRIPTION	OPTIONAL ACCESSORIES	WEIGHT (LBS.)	UPC	LIST PRICE
<b>Z7300 Series</b>					
All Z7300 units are tub and shower mixing valves. Unit is not furnished with accessories. For shower only with accessories see Z7301 valve series or for tub and shower with accessories see Z7302 valve series. ASSE 1016 listed, CSA B125 certified, ASME A112.18.1 tested, and IAPMO listed. Copper sweat connections are available; please specify -SSC.					
<b>Z7300-SS-MT</b>	The Z7300 series is a pressure balanced, single handle tub and shower 4-port mixing valve only with service stops/check stops, metal chrome-plated trim and handle, 1/2" female NPT inlets and outlets, ceramic control cartridge, adjustable temperature limit stop, and separate tub port plug.	-CPVC, -DT, -DV-2P, -HW, -HW6, -PEX, -SSC, -ST, -STN, -WF	9.6	670240651340	<b>285.00</b>
<b>Z7300-SS-MT-HW</b>	The Z7300 series is a pressure balanced, single handle tub and shower 4-port mixing valve only with service stops/check stops, metal chrome-plated trim and handle, 1/2" female NPT inlets and outlets, ceramic control cartridge, adjustable temperature limit stop, and separate tub port plug. Unit is also furnished with handwall shower unit, 60" metal hose, standard handset, supply elbow and flange, 24" slide bar.	-CPVC, -DT, -DV-2P, -H7, -H9, -HW6, -PEX, -SSC, -ST, -S10, -WF	8	670240651388	<b>645.00</b>
<b>Z7301 Series</b>					
All Z7301 units are shower only mixing valves. Unit is furnished with accessories (Z7000-A1 and Z7000-S1). ASSE 1016 listed, CSA B125 Certified, ASME A112.18.1 tested, and IAPMO listed. Copper sweat connections are available; please specify -SSC.					
<b>Z7301-SS-MT</b>	The Z7301 series is a pressure balanced, single handle shower 4-port mixing valve only with service stops/check stops, metal chrome-plated trim and handle, 1/2" female NPT inlets and outlets, ceramic control cartridge, adjustable temperature limit stop, and tub port plug. Unit is furnished with accessories Z7000-S1 shower head and Z7000-A1 shower arm and flange.	-A2, -CPVC, -DT, -DV-2P, -HW, -HW6, -PEX, -SSC, -ST, -STN, -S5, -S6, -S7, -S8, -S9, -S10, -WF	5.1	670240651357	<b>287.00</b>
<b>Z7301-SS-MT-DV-2P-HW</b>	The Z7301 series is a pressure balanced, single handle shower 4-port mixing valve only with service stops/check stops, chrome-plated trim and handle, 1/2" female NPT inlets and outlets, ceramic control cartridge, adjustable temperature limit stop, and tub port plug. Unit is furnished with accessories Z7000-S1 shower head and Z7000-A1 shower arm and flange, two-way diverter valve (DV-2P), handwall unit, 60" metal hose, standard handset, supply elbow and flange, 24" slide bar.	-A2, -CPVC, -DT, -H7, -H9, -HW6, -PEX, -SSC, -ST, -S5, -S6, -S7, -S8, -S9, -S10, -WF	10.7	670240405837	<b>819.00</b>
<b>Z7302 Series</b>					
All Z7302 units are tub and shower mixing valves. Unit is furnished with accessories (Z7000-A1, Z7000-S1, and Z7000-T2). ASSE 1016 listed, CSA B125 certified, ASME A112.18.1 tested, and IAPMO listed. Copper sweat connections are available; please specify -SSC.					
<b>Z7302-SS-MT</b>	The Z7302 series is a pressure balanced, single handle tub and shower 4-port mixing valve only with service stops/check stops, metal chrome-plated trim and handle, 1/2" female NPT inlets and outlets, ceramic control cartridge, and adjustable temperature limit stop. Unit is furnished with accessories Z7000-S1 shower head, Z7000-A1 shower arm and flange, and Z7000-T2 diverter tub spout.	-A2, -CPVC, -DT, -DV-2P, -HW, -HW6, -PEX, -SSC, -ST, -STN, -S5, -S6, -S7, -S8, -S9, -S10, -T2-SJ, -T4, -WF	5.7	670240651371	<b>320.00</b>
<b>Z7302-SS-MT-DV-2P-HW</b>	The Z7302 series is a pressure balanced, single handle tub and shower 4-port mixing valve only with service stops/check stops, metal chrome-plated trim and handle, 1/2" female NPT inlets and outlets, ceramic control cartridge, and adjustable temperature limit stop. Unit is furnished with accessories Z7000-S1 shower head and Z7000-A1 shower arm and flange, Z7000-T2 diverter tub spout, two-way diverter valve (DV-2P), handwall unit, 60" metal hose, standard handset, supply elbow and flange, 24" slide bar.	-A2, -CPVC, -DT, -H7, -H9, -HW6, -PEX, -SSC, -ST, -S5, -S6, -S7, -T2-SJ, -S8, -S9, -S10, -T4, -WF	11.2	-	<b>848.00</b>



Z7300-SS-MT



Z7300-SS-MT-HW



Z7301-SS-MT



Z7301-SS-MT-DV-2P-HW



Z7302-SS-MT



Z7302-SS-MT-DV-2P-HW

# TEMP-GARD® AQUA-PANEL

PRODUCT NO.	DESCRIPTION	WEIGHT (LBS.)	UPC	LIST PRICE
<b>Z7500 Series</b>				
Stainless steel shower unit of 18-gauge shroud with pressure balanced mixing valve, service stops, and metal lever handle. The unit is complete with an institutional brass ball joint shower head, soap dish, and piping.				
Z7500	Standard shroud - Length 32"	13	670240570139	1837.00
Z7500-DV-2P-HW	Standard shroud with two way diverter valve w/handwall shower unit complete with 24"[610mm] mounting bar unit, 60"[1524mm] metal hose and standard handset.	21	-	2387.00
Z7500-HW	Standard shroud with handwall shower unit complete with 24"[610mm] mounting bar, 60"[1524mm] metal hose and standard handset.	15	670240604964	2154.00
Z7500-i2	Standard shroud with 2.5 gpm fixed spray institutional shower head	12.5	670240604971	1794.00
Z7500-LS	Standard shroud less soap dish	12.5	670240570184	1756.00
Z7500-SL	Short shroud - Length 26"	12	670240570191	1698.00
<b>Z7500-CR Series</b>				
Stainless steel shower unit for corner installations of 18-gauge shroud with pressure balanced mixing valve, service stops, and metal lever handle. The unit is complete with an institutional brass ball joint shower head, soap dish, and piping.				
Z7500-CR		15	670240570146	2226.00
Z7500-CR-DV-2P-HW		23	-	2777.00
Z7500-CR-HW		17	670240636682	2546.00
Z7500-CR-i2		14.5	670240636675	2182.00
Z7500-CR-LS		14.5	670240570153	2147.00
Z7500-CR-SL		14	670240570160	2087.00
<b>Z7500-FL Series</b>				
Stainless steel shower unit for flush installations of 18-gauge shroud with pressure balanced mixing valve, service stops, and metal lever handle. The unit is complete with an institutional brass ball joint shower head, severe service brackets, and piping.				
Z7500-FL		13	670240570177	2055.00
Z7500-FL-DV-2P-HW		21	-	2604.00
Z7500-FL-HW		15	670240636712	2375.00
Z7500-FL-i2		12.5	670240636705	2011.00
Z7500-FL-RSD		14	670240636736	2521.00



Z7500



Z7500-DV-HW



Z7500-HW



Z7500-i2



Z7500-CR



Z7500-FL

PRODUCT NO.	DESCRIPTION	WEIGHT (LBS.)	UPC	LIST PRICE
<b>Z7500-TS Series</b>				
Stainless steel tub and shower unit of 18-gauge shroud with pressure balanced mixing valve with diverter tub spout, service stops, and metal lever handle. The unit is complete with an institutional brass ball joint shower head and piping.				
Z7500-TS		18	670240570207	<b>3440.00</b>
Z7500-TS-i2		26	670240636743	<b>3397.00</b>
Z7500-TS-HW		26	670240636750	<b>3760.00</b>

<b>Z7500-W2 Series</b>				
Stainless steel shower unit of 18-gauge shroud with two pressure balanced mixing valves, service stops, and metal lever handles. The unit is complete with an institutional brass ball joint shower head and piping with severe service brackets.				
Z7500-W2		22	670240570214	<b>4722.00</b>
Z7500-W2-i2		25.5	670240636767	<b>4678.00</b>
Z7500-W2-HW	Unit with one handwall.	25.5	670240636774	<b>5041.00</b>

<b>Z7500-W3 Series</b>				
Stainless steel shower unit of 18-gauge shroud with three pressure balanced mixing valves, service stops, and metal lever handles. The unit is complete with an institutional brass ball joint shower head and piping with severe service brackets.				
Z7500-W3		30	670240570221	<b>5557.00</b>
Z7500-W3-i2		33.5	670240636781	<b>5512.00</b>
Z7500-W3-HW	Unit with one handwall.	33.5	670240636798	<b>5874.00</b>

<b>Z7530 Series</b>				
Stainless steel shower unit of 18-gauge shroud with push button metering valve for tempered water systems and service stop. The unit is complete with an institutional brass ball joint shower head, soap dish, and piping.				
Z7530		13	670240570245	<b>2251.00</b>
Z7530-DV-2P-HW		21	-	<b>2812.00</b>
Z7530-HW		15	670240636590	<b>2547.00</b>
Z7530-i2		12.5	670240636583	<b>2206.00</b>
Z7530-LS		12.5	670240570252	<b>2171.00</b>
Z7530-SL		12	670240570269	<b>2058.00</b>



PRODUCT NO.	DESCRIPTION	WEIGHT (LBS.)	UPC	LIST PRICE
<b>Z7533 Series</b>				
Stainless steel shower unit of 18-gauge shroud with pressure balanced mixing valve and slow-closing push button metering valve, service stops, and metal lever handle. The unit is complete with an institutional brass ball joint shower head, soap dish, and piping. Includes Z7000-SC dual spring checks for cross connection protection.				
Z7533		15	670240570276	2375.00
Z7533-DV-2P-HW		24	-	2923.00
Z7533-HW		18	670240636651	2692.00
Z7533-i2		14.5	670240636644	2329.00
Z7533-LS		14.5	670240570283	2292.00
Z7533-SL		14	670240570290	2235.00

<b>Z7550 Series</b>				
Stainless steel shower unit of 18-gauge shroud with volume control on/off valve for tempered water systems and service stop. The unit is complete with an institutional brass ball joint shower head, soap dish, and piping.				
Z7550		12	670240570306	1861.00
Z7550-DV-2P-HW		20	-	2410.00
Z7550-HW		14	670240636620	2178.00
Z7550-i2		11.5	670240636613	1817.00
Z7550-LS		11.5	670240570313	1779.00
Z7550-SL		11	670240570320	1723.00



## TEMP-GARD® AQUA-PANEL OPTIONS

PRODUCT NO.	DESCRIPTION	WEIGHT (LBS.)	UPC	LIST PRICE
<b>Aqua-Panel Options</b>				
-LS	Less soap dish			POA
-RSD	Recessed soap dish			466.00
-SL	Short length unit			POA
-SC	Pair of dual spring checks			131.00
				<b>NET/LINEAR INCH</b>
<b>Shroud Thickness Modifications</b>				
	16-gauge stainless steel			POA
	14-gauge stainless steel			POA
<b>Custom Modifications</b>				
-TH	Matching horizontal pipe covers and caps; standard width 6" (18-gauge stainless steel is standard) At the time of order, a rough sketch is needed showing location of showers, walls, length of panel runs. NOTE: No orders will be accepted without contractor and/or engineer approval.	18-gauge stainless steel		POA
-RS	Top and bottom brackets severe service brackets (for penal and other severe service applications)			96.00
-TC	Matching thru-ceiling extension pipe covers, standard width 6" (18-gauge stainless steel is standard) 1) After length needed is determined, use part number 7500-8EX-length needed. Please specify length to the nearest .25".	18-gauge stainless steel		POA
		16-gauge stainless steel		POA
		14-gauge stainless steel		POA
				<b>NET/EACH</b>
2) Add following brackets pricing (One of each bracket is used per vertical extension.):		External: 7500-17A		31.00
		Internal: 7500-17B		31.00

When ordering parts, always list product number and description.

For additional product information, please visit [www.zurn.com](http://www.zurn.com).

# TEMP-GARD® ACCESSORIES

PRODUCT NO.	DESCRIPTION	UPC	LIST PRICE
<b>Temp-Gard I Shower Valve Series Handles</b>			
Z7000-LH	Lever handle	670240569164	20.00
Z7000-STH	Standard ABS chrome-plated handle with screw and button	670240569263	5.00
<b>Temp-Gard III Shower Valve Series Handles</b>			
RK7300-LH	Lever handle	670240652446	44.00
<b>Arms</b>			
Z7000-A1	Standard 6" shower arm and stamped escutcheon	670240568815	27.00
Z7000-A1-STN	Standard 6" shower arm and stamped escutcheon; satin nickel	670240391130	41.00
Z7000-A2	Standard 6" shower arm and cast escutcheon	670240568822	32.00
Z7000-A3	8" shower arm and stamped escutcheon	670240627604	34.00
Z7000-A4	8" shower arm and cast escutcheon	670240627611	43.00
<b>Conversion Hardware for Shower Valves</b>			
Z7000-CC	Stainless steel conversion cover plate and hardware	670240568860	58.00
Z7000-WF	TG1 Wall mount flange for fiberglass installations	670240569331	7.00
RK7300-WF	TG3 Wall mount flange for fiberglass installations	670240648265	12.00
<b>Shower Heads</b>			
Z7000-S1	Standard ABS plastic chrome-plated shower head with brass ball joint connector; 2.5 GPM max.	670240569188	42.00
Z7000-S5	Large brass shower head with spray adjustment, chrome finish; 2.5 GPM max.	670240569218	114.00
Z7000-S5-2.0	Large brass shower head with spray adjustment, chrome finish; 2.0 GPM max.	670240242647	114.00
Z7000-S5-1.75	Large brass shower head with spray adjustment, chrome finish; 1.75 GPM max.	670240242654	114.00
Z7000-S5-1.5	Large brass shower head with spray adjustment, chrome finish; 1.5 GPM max.	670240242661	114.00
Z7000-S5-1.25	Large brass shower head with spray adjustment, chrome finish; 1.25 GPM max.	670240387577	114.00
Z7000-S5-STN	Large brass shower head with spray adjustment, satin nickel finish; 2.5 GPM max.	670240408616	150.00
Z7000-S5-VP	Large brass shower head with spray adjustment, chrome finish, vandal resistant; 2.5 GPM max.	670240623750	127.00
Z7000-S6	Small brass shower head with brass ball joint connector, spray adjustment, chrome finish; 2.5 GPM max.	670240569225	84.00
Z7000-S6-2.0	Small brass shower head with brass ball joint connector and spray adjustment, chrome finish; 2.0 GPM max.	670240242517	84.00
Z7000-S6-1.75	Small brass shower head with brass ball joint connector and spray adjustment, chrome finish; 1.75 GPM max.	670240242524	84.00
Z7000-S6-1.5	Small brass shower head with brass ball joint connector and spray adjustment, chrome finish; 1.5 GPM max.	670240242531	84.00
Z7000-S6-1.25	Small brass shower head with brass ball joint connector and spray adjustment, chrome finish; 1.25 GPM max.	670240387614	84.00
Z7000-S6-VP	Small brass shower head with brass ball joint connector and spray adjustment, chrome finish, vandal resistant; 2.5 GPM max.	670240623767	112.00
Z7000-S6-STN	Small brass shower head with brass ball joint connector, spray adjustment, satin nickel finish; 2.5 GPM max.	670240408623	127.00
Z7000-S7	Brass fixed spray shower head with brass ball joint connector, fixed spray pattern, chrome finish; 2.2 GPM max.	670240569232	139.00
Z7000-S7-VP	Brass fixed spray shower head with brass ball joint connector, fixed spray pattern, chrome finish, vandal resistant; 2.2 GPM max.	670240607187	159.00
Z7000-S8	Water saver shower head with adjustable spray and brass ball joint connector, constant flow orifice; 1.75 GPM flow	670240651876	43.00
Z7000-S8-STN	Water saver shower head with adjustable spray and brass ball joint connector, constant flow orifice, satin nickel finish; 1.75 GPM flow	670240393929	76.00
Z7000-S9	Water saver shower head with adjustable spray and brass ball joint connector, constant flow orifice; 1.5 GPM flow	670240651883	43.00
Z7000-S9-STN	Water saver shower head with adjustable spray and brass ball joint connector, constant flow orifice, satin nickel finish; 1.5 GPM flow	670240393936	72.00
Z7000-S10	Water saver shower head with adjustable spray and brass ball joint connector, constant flow orifice; 1.25 GPM flow	670240388369	43.00



Z7000-S1



Z7000-S5



Z7000-S5-VP



Z7000-S6



Z7000-S6-VP



Z7000-S7



Z7000-S7-VP



Z7000-S8



Z7000-S9

PRODUCT NO.	DESCRIPTION	UPC	LIST PRICE
<b>Institutional Shower Heads</b>			
Z7000-I2-1.25	Institutional wall mount with fixed spray shower head; 1.25 GPM max.	670240446229	225.00
Z7000-I2-1.5	Institutional wall mount with fixed spray shower head; 1.5 GPM max.	670240446236	225.00
Z7000-I2-1.75	Institutional wall mount with fixed spray shower head; 1.75 GPM max.	670240446243	225.00
Z7000-I2-2.0	Institutional wall mount with fixed spray shower head; 2.0 GPM max.	670240446250	225.00
Z7000-I2	Institutional wall mount with fixed spray shower head; 2.5 GPM max.	670240569119	225.00
Z7000-I5-1.25	Institutional wall mount with large brass shower head with spray adjustment, chrome finish; 1.25 GPM max.	670240700581	297.00
Z7000-I5-1.5	Institutional wall mount with large brass shower head with spray adjustment, chrome finish; 1.5 GPM max.	670240249417	297.00
Z7000-I5-1.75	Institutional wall mount with large brass shower head with spray adjustment, chrome finish; 1.75 GPM max.	670240249424	297.00
Z7000-I5-2.0	Institutional wall mount with large brass shower head with spray adjustment, chrome finish; 2.0 GPM max.	670240249431	297.00
Z7000-I5	Institutional wall mount with large brass shower head with spray adjustment, chrome finish; 2.5 GPM max.	670240569133	297.00
Z7000-I6-1.25	Institutional wall mount with small brass shower head with brass ball joint connector, spray adjustment, chrome finish; 1.25 GPM max.	670240700598	268.00
Z7000-I6-1.5	Institutional wall mount with small brass shower head with brass ball joint connector, spray adjustment, chrome finish; 1.5 GPM max.	670240249448	268.00
Z7000-I6-1.75	Institutional wall mount with small brass shower head with brass ball joint connector, spray adjustment, chrome finish; 1.75 GPM max.	670240249462	268.00
Z7000-I6-2.0	Institutional wall mount with small brass shower head with brass ball joint connector, spray adjustment, chrome finish; 2.0 GPM max.	670240250567	268.00
Z7000-I6	Institutional wall mount with small brass shower head with brass ball joint connector, spray adjustment, chrome finish; 2.5 GPM max.	670240569140	268.00
Z7000-I7	Institutional wall mount brass fixed spray shower head with brass ball joint connector, fixed spray pattern, chrome finish; 2.2 GPM max.	670240569157	321.00
Z7000-I8	Institutional wall mount water saver shower head with adjustable spray and brass ball connector, constant flow orifice; 1.75 GPM flow	670240395862	244.00
Z7000-I9	Institutional wall mount water saver shower head with adjustable spray and brass ball connector, constant flow orifice; 1.5 GPM flow	670240395879	244.00
Z7000-I10-AQ	Institutional wall mount water saver shower head with adjustable spray and brass ball connector, constant flow orifice; 1.25 GPM flow	670240811959	244.00
Z7000-AP	Anchor plate assembly with screws for wall mount shower heads; for tile applications	670240568846	64.00
Z7000-BP	Base plate assembly with screws for wall mount shower heads; for walls over 4"	670240568853	131.00
<b>Diverter Valves and Spring Checks</b>			
Z7000-DV-2P	Two-way diverter valve; three-port 1/2" copper sweat	670240568891	233.00
Z7000-DS	Shower arm diverter; push/pull type, for hand shower units only	670240568877	196.00
Z7000-SC	Pair of dual spring checks	670240569249	131.00
<b>Miscellaneous Diverter Valve Parts</b>			
7073-33	Spring	670240620896	10.00
7073-80	Friction ring	670240438286	6.00
7073-81	Escutcheon assembly	670240611764	17.00
<b>Handwall Units</b>			
Z7000-HW	Handwall shower unit, 60" metal hose, standard handset, supply elbow and flange, 24" slide bar	670240568990	321.00
Z7000-HW2	Handwall shower unit, 69" metal hose, standard handset, supply elbow and flange, 24" slide bar	670240569034	405.00
Z7000-HW3	Handwall shower unit, 69" metal hose, standard handset, supply elbow and flange, 48" slide bar	670240569041	499.00
Z7000-HW4	Handwall shower unit, 69" vinyl/nylon hose, standard handset, supply elbow and flange, 24" slide bar	670240569058	307.00
Z7000-HW5	Handwall shower unit, 69" vinyl/nylon hose, standard handset, supply elbow and flange, 48" slide bar	670240569065	452.00
Z7000-HW6	Handwall shower unit, 60" metal hose, standard handset, supply elbow and flange, 24" slide bar and vacuum breaker	670240569072	366.00
Z7000-HW7	Handwall shower unit, 60" vinyl/nylon hose, standard handset, supply elbow and flange, 24" slide bar	670240569379	326.00
Z7000-HW8	Standard handwall shower unit, 60" metal hose, standard handset, supply elbow and flange, with two wall hooks	670240569089	256.00
Z7000-HW9	Standard handwall shower unit, 60" metal hose, standard handset, supply elbow and flange, with two wall hooks and in-line vacuum breaker	670240569096	300.00
Z7000-HW10	Standard handwall shower unit, 60" stainless hose, standard handset, supply elbow and flange, with two wall hooks and in-line vacuum breaker	670240569003	436.00
Z7000-HW11	Handwall shower unit, 60" metal hose, standard handset, supply elbow and flange, 30" slide bar	670240569010	443.00
Z7000-HW13	Handwall shower unit, 69" metal hose, standard handset, supply elbow and flange, 30" slide bar	670240603561	610.00
Z7000-HW14	Handwall shower unit, 60" metal hose, standard handset, supply elbow and flange, 36" grab bar with holder	670240250833	935.00
Z7000-HW15	Handwall shower unit, 60" metal hose, standard handset, supply elbow and flange, 24" slide bar with holder	670240250840	608.00



HW

When ordering parts, always list product number and description.

For additional product information, please visit [www.zurn.com](http://www.zurn.com).

PRODUCT NO.	DESCRIPTION	UPC	LIST PRICE
<b>Handshower Units</b>			
Z7000-HS	Handshower unit with 60" metal hose, standard handset, 24" slide bar, and shower arm diverter valve	670240568945	507.00
Z7000-HS2	Handshower unit with 60" metal hose, standard handset, 24" slide bar, shower arm diverter valve, and in-line vacuum breaker	670240568952	540.00
Z7000-HS3	Handshower unit with 60" vinyl/nylon hose, standard handset, 24" slide bar, and shower arm diverter valve	670240568969	409.00
Z7000-HS4	Handshower unit with 60" metal hose, standard handset, two wall hooks, and shower arm diverter valve	670240568976	305.00
Z7000-HS5	Handshower unit with 60" vinyl/nylon hose, standard handset, two wall hooks, and shower arm diverter valve	670240568983	287.00
Z7000-HS6	Handshower unit with 69" metal hose, standard handset, 48" slide bar, and shower arm diverter valve	670240603554	577.00
<b>Miscellaneous Handwall Parts</b>			
7080-92	24" slide bar	670240603769	159.00
7081-92	48" slide bar	670240605596	330.00
7082-92	30" slide bar	670240605619	237.00
<b>Handwall and Handshower Options/Accessories</b>			
Z7000-GBH	Handwall shower head holder, for grab bar only	670240240940	62.00
Z7000-GB24	24" stainless steel grab bar	670240240926	232.00
Z7000-GB36	36" stainless steel grab bar	670240240919	282.00
Z7000-GB24H	24" stainless steel grab bar with handwall shower head holder	670240240902	287.00
Z7000-GB36H	36" stainless steel grab bar with handwall shower head holder	670240240896	344.00
Z7000-H1	Standard hand-held shower head with chrome finish; 2.5 gpm	670240604001	31.00
Z7000-H2	Hand-held shower head with shut-off lever; off white finish	670240568914	56.00
Z7000-H4	Hand-held shower head with pulse spray and shut-off lever; off-white finish	670240568938	92.00
Z7000-H7	Hand-held shower head with chrome finish; 2.0 gpm	670240238022	79.00
Z7000-H9	Hand-held shower head with chrome finish; 1.5 gpm	670240238039	79.00
Z7000-H10	2.0 gpm chrome plated plastic hand-held shower device with non-positive water shut-off pause button feature	670240007956	96.00
Z7000-H12	1.5 gpm chrome plated plastic hand-held shower device with non-positive water shut-off pause button feature	670240008038	96.00
Z7000-QD	Quick disconnect in-line hose connector	670240569171	252.00
Z7000-SE	Brass chrome-plated supply elbow and flange	670240569256	53.00
<b>Tub Spouts</b>			
Z7000-T2	Standard tub spout with pull-up diverter with 1/2" female IPS	670240569294	49.00
Z7000-T4	Cast brass tub spout with diverter, chrome finish and 1/2" female IPS	670240569317	114.00
<b>Atmospheric Vacuum Breakers</b>			
Z7000-VB	In-line vacuum breaker for use with 1/2" handwall hose	670240569324	45.00
<b>Metering Valves</b>			
Z7130	Slow closing push-button metering valve	670240604933	496.00
Z7130-SS	Slow closing push-button metering valve with service stop	670240604940	535.00
<b>Repair Kit for Metering Valve</b>			
G60522	Metering handle assembly	670240414556	49.00
G60561	Handle nut assembly	670240414631	29.00
G67800	Metering cartridge assembly	670240402027	69.00
G61994	Shower valve escutcheon	670240441255	14.00
G67788	Shank filter assembly	670240395534	19.00
<b>Tract Packs for Temp-Gard I Series Valves</b>			
TPK7100-SS	3-Port shower only valve with service stops	670240568549	338.00
TPK7120-SS	3-Port shower only valve with volume control and service stops	670240568587	415.00



Z7000-GBH



Z7000-GB24



Z7000-GB36



Z7000-GB24H



Z7000-GB36H



Z7000-H7



Z7000-H9



Z7000-H10



Z7000-H12



Z7000-T2

For additional product information, please visit [www.zurn.com](http://www.zurn.com).

When ordering parts, always list product number and description.

PRODUCT NO.	DESCRIPTION	UPC	LIST PRICE
TPK7200-SS	4-Port tub and shower valve with service stops	670240568631	350.00
TPK7220-SS	4-Port tub and shower valve with integral diverter valve and service stops	670240569454	376.00
<b>Tract Packs for Temp-Gard III Series Valves</b>			
TPK7300-SS	4-Port valve only with tub plug, service stops, and 1/2" female NPT threaded connections	670240645332	249.00
TPK7300-SSC	4-Port valve only with tub plug, service stops, and 1/2" copper sweat connections	670240646933	249.00
TPK7300-SS-STN	4-Port valve only with tub plug, satin nickel finish, service stops, and 1/2" female NPT threaded connections	670240399167	355.00
TPK7300-SSC-STN	4-Port valve only with tub plug, satin nickel finish, service stops, and 1/2" copper sweat connections	670240392182	355.00
<b>Trim Packs for Temp-Gard I Series Valves</b>			
TMPK7100	Trim pack for shower valve only; chrome-plated ABS plastic main cover, escutcheon, standard handle; complete with dial plate and screws	670240569348	43.00
TMPK7100-LH	Trim pack for shower valve only; chrome-plated ABS plastic main cover, escutcheon, metal lever handle; complete with dial plate and screws	670240569393	63.00
TMPK7100-MT	Trim pack for shower valve only; chrome-plated metal main cover, escutcheon, metal lever handle; complete with dial plate and screws	670240569355	74.00
TMPK7101	Trim pack for shower valve with accessories; chrome-plated ABS plastic main cover, escutcheon, standard handle, shower head, shower arm, arm escutcheon; complete with dial plate and screws	670240568310	84.00
TMPK7101-LH	Trim pack for shower valve with accessories; chrome-plated ABS plastic main cover, escutcheon, metal lever handle, shower head, shower arm, arm escutcheon; complete with dial plate and screws	670240399136	104.00
TMPK7101-MT	Trim pack for shower valve with accessories; chrome-plated metal main cover, escutcheon, metal lever handle, shower head, shower arm, arm escutcheon; complete with dial plate and screws	670240568327	125.00
TMPK7120	Trim pack for shower valve only with volume control; chrome-plated ABS plastic main cover, escutcheon, standard handle, volume control handle; complete with dial plate and screws	670240568334	53.00
TMPK7120-LH	Trim pack for shower valve only with volume control; chrome-plated ABS plastic main cover, escutcheon, metal lever handle, volume control handle; complete with dial plate and screws	670240569409	73.00
TMPK7120-MT	Trim pack for shower valve only with volume control; chrome-plated metal main cover, escutcheon, metal lever handle, volume control handle; complete with dial plate and screws	670240570061	101.00
TMPK7121	Trim pack for shower valve only with volume control and accessories; chrome-plated ABS main cover, escutcheon, standard handle, diverter handle, shower head, shower arm, arm escutcheon; complete with dial plate and screws	670240568341	104.00
TMPK7121-LH	Trim pack for shower valve only with volume control and accessories; chrome-plated ABS main cover, escutcheon, metal lever handle, diverter handle, shower head, shower arm, arm escutcheon; complete with dial plate and screws.	670240623576	128.00
TMPK7121-MT	Trim pack for shower valve only with volume control and accessories; chrome-plated metal main cover, escutcheon, metal lever handle, diverter handle, shower head, shower arm, arm escutcheon; complete with dial plate and screws.	670240568358	153.00
TMPK7200	Trim pack for tub and shower valve only; chrome-plated ABS plastic main cover, escutcheon, standard handle; complete with dial plate and screws.	670240568365	43.00
TMPK7200-LH	Trim pack for tub and shower valve only; chrome-plated ABS plastic main cover, escutcheon, metal lever handle; complete with dial plate and screws.	670240569416	63.00
TMPK7200-MT	Trim pack for tub and shower valve only; chrome-plated metal main cover, escutcheon, metal lever handle; complete with dial plate and screws.	670240568372	100.00
TMPK7201	Trim pack for tub and shower valve only with accessories; chrome-plated ABS plastic main cover, escutcheon, standard handle, shower head, shower arm, arm escutcheon, diverter tub spout, complete with dial plate and screws.	670240568389	120.00
TMPK7201-LH	Trim pack for tub and shower valve with accessories; chrome-plated ABS plastic main cover, escutcheon, metal lever handle, shower head, shower arm, arm escutcheon, diverter tub spout; complete with dial plate and screws	670240568396	139.00
TMPK7201-MT	Trim pack for tub and shower valve with accessories; chrome-plated metal main cover, escutcheon, metal lever handle, shower head, shower arm, arm escutcheon, diverter tub spout; complete with dial plate and screws	670240568402	176.00
TMPK7220	Trim pack for tub and shower valve with volume control, chrome-plated ABS plastic main cover, escutcheon, standard handle, volume control handle; complete with dial plate and screws	670240569423	56.00
TMPK7220-LH	Trim pack for tub and shower valve with volume control, chrome-plated ABS plastic main cover, escutcheon, metal lever handle, volume control handle; complete with dial plate and screws	670240568419	76.00
TMPK7220-MT	Trim pack for tub and shower valve with volume control; chrome-plated metal main cover, escutcheon, metal lever handle, volume control handle; complete with dial plate and screws	670240568426	109.00
TMPK7221	Trim pack for tub and shower valve with volume control and accessories, chrome-plated ABS plastic main cover, escutcheon, standard handle, volume control handle, shower head, shower arm, arm escutcheon, tub spout; complete with dial plate and screws	670240568433	112.00
TMPK7221-LH	Trim pack for tub and shower valve with volume control and accessories; chrome-plated ABS plastic main cover, escutcheon, metal lever handle, volume control handle, shower head, shower arm, arm escutcheon, tub spout; complete with dial plate and screws	670240623583	132.00
TMPK7221-MT	Trim pack for tub and shower valve with volume control and accessories; chrome-plated metal main cover, escutcheon, metal lever handle, volume control handle, shower head, shower arm, arm escutcheon, tub spout; complete with dial plate and screws	670240569362	148.00

FLUSH VALVES

FAUCETS

TEMP-GARD

TUBULAR BRASS

FIXTURES

AQUAPARTS REPAIR PARTS AND ASSEMBLIES



PRODUCT NO.	DESCRIPTION	UPC	LIST PRICE
<b>Trim Packs for Temp-Gard III Series Valves</b>			
TMPK7300-MT	Chrome-plated metal cover with index, escutcheon nut, handle, screws, and gasket.	670240646940	111.00
TMPK7301-MT	Chrome-plated metal cover with index, escutcheon nut, handle, screws, and gasket, Z7000-S1 shower head, Z7000-A1 shower arm and shower flange.	670240355651	146.00
TMPK7302-MT	Chrome-plated metal cover with index, escutcheon nut, handle, screws, and gasket, Z7000-S1 shower head, Z7000-A1 shower arm and shower flange, and Z7000-T2 diverter tub spout.	670240355644	182.00
TMPK7300-ST	Sierra® Series chrome-plated metal cover, escutcheon nut, handle, screws, gasket, and plastic dial plate.	670240651630	139.00
TMPK7300-STN	Sierra® Series satin nickel metal cover, escutcheon nut, handle, screws, gasket, and plastic dial plate.	670240391123	200.00
TMPK7301-ST	Sierra® Series chrome-plated metal cover, escutcheon nut, handle, screws, gasket, plastic dial plate, shower head, shower arm, and shower flange.	-	176.00
TMPK7301-STN	Sierra® Series satin nickel metal cover, escutcheon nut, handle, screws, gasket, plastic dial plate, shower head, shower arm, and shower flange.	670240241794	252.00
TMPK7302-ST	Sierra® Series chrome-plated metal cover, escutcheon nut, handle, screws, gasket, plastic dial plate, shower head, shower arm, shower flange, and diverter tub spout.	-	215.00
TMPK7302-STN	Sierra® Series satin nickel metal cover, escutcheon nut, handle, screws, gasket, plastic dial plate, shower head, shower arm, shower flange, and diverter tub spout.	670240409330	307.00
<b>Shower Valve Repair Kits for Temp-Gard I Series Valves</b>			
RK7000-100	Repair kit, packing.	670240568044	10.00
RK7000-110	Repair kit, adjustment screw.	670240568051	10.00
RK7000-11AB	Repair kit, two trim screws, black anodized stainless.	670240568075	7.00
RK7000-120	Repair kit, seal replacement kit.	670240568099	12.00
RK7000-180	Repair kit, hot and cold seat replacement.	670240568105	73.00
RK7000-18RC	Repair kit, reverse core valve seat.	670240568112	78.00
RK7000-18TOOLS	Repair kit, seat tools.	670240568129	32.00
RK7000-200	Repair kit, complete bonnet nut with adjusting screw.	670240568136	38.00
RK7000-20HB	Repair kit, complete bonnet nut, 3/4" hose bibb flushing out kit.	670240568143	42.00
RK7000-50	Repair kit, valve stem complete.	670240568150	128.00
RK7000-50ACL	Repair kit, valve stem complete (Andre Collection).	670240604209	140.00
RK7000-50A	Repair kit, service stops.	670240568167	17.00
RK7000-50FL	Repair kit, stem, for harsh water conditions.	670240568204	128.00
RK7000-50B	Repair kit, diverter stem for Z7220 Series manufactured prior to the year 2000 (Cream Colored).	670240568174	10.00
RK7000-50BN	Repair kit, diverter stem for Z7220 Series manufactured during or after the year 2000 (White with Black Gasket).	670240604810	17.00
RK7000-50C	Repair kit, diverter stem for Z7120 Series (Black).	670240568181	10.00
RK7000-50EXT	Extension kit for the RK7000-50, increases length by 1-1/4".	670240568198	108.00
RK7073-50	Repair kit, 2-way and 3-way replacement stem complete RK.	670240568228	64.00
<b>Shower Valve Repair Kits for Temp-Gard III Series Valves</b>			
RK7300-CART-3P	Pressure balancing cartridge	670240462519	104.00
RK7300-EXT	Extension kit, polished chrome, increases length by 1"	670240392281	96.00
RK7300-LH	Lever handle	670240652446	44.00
RK7300-WF	Wall flange	670240648265	12.00
RK7300-11AE-001	Standard 3" cover screws	670240652453	16.00
RK7300-11AE-002	4" cover screws	670240399112	23.00
RK7300-11AV	Vandal-resistant 3" cover screws	670240223752	23.00
RK7300-20HB	Hose bib flushing-out kit	670240399181	183.00
RK7300-50A	Service/check stop repair kit	670240659223	25.00
<b>Miscellaneous Temp-Gard I Parts</b>			
7000-3	Diverter retainer	670240608641	10.00
7000-3D	Stop retainer	670240604308	5.00
7000-6C	Diverter handle	670240603691	17.00
7000-11D	Retainer screw	670240604216	6.00
7000-32	Diverter handle retainer clip	670240603820	6.00
7000-90	Cover gasket	670240603837	6.00
<b>Miscellaneous Temp-Gard III Parts</b>			
7300-81MT	Escutcheon	670240656772	41.00

PRODUCT NO.	DESCRIPTION	UPC	LIST PRICE
<b>Shower Valve Repair Kits for Aqua-Panel</b>			
RK7500-50A	Repair kit, service stops	670240627963	28.00
RK7500-200	Repair kit, complete bonnet nut	670240646124	67.00
All other repair kits are the same as Temp-Gard I series valve.			
<b>Miscellaneous Aqua-Panel Parts</b>			
7000-12E	Flow control washer	670240610538	6.00
7500-29	Outlet adapter	670240608863	14.00
<b>Sierra® Faucet Repair Kits</b>			
RK7440-3	Retaining nut	670240646803	13.00
RK7440-90	Base plate	670240646810	13.00
RK7440-CART	Ceramic control cartridge	670240626683	45.00
RK7440-HK	Inlet gasket kit with brass nuts	670240607217	14.00
RK7440-36W	Spout repair kit	670240396906	48.00
<b>Sierra® Faucet Aerators, Z7440</b>			
7440-94FC/WK	0.5 GPM vandal-resistant aerator	670240568006	70.00
7440-94LA	2.2 GPM laminar flow outlet	670240568013	41.00
RK7440-94SO	1.0 GPM spray outlet	670240212107	61.00
7440-94VP/WK	2.2 GPM vandal-resistant aerator	670240568020	47.00
<b>Sierra® Faucet Handles, Z7440</b>			
RK7440-LH	Standard lever handle assembly	670240568242	43.00
<b>Sierra® Faucet Aerators, Z74500</b>			
RK74500-94	Standard 2.2 GPM aerator	670240427488	45.00
RK74500-94FC	0.5 GPM vandal-resistant aerator	670240242357	41.00
RK74500-94LA	2.2 GPM laminar flow outlet	670240242340	41.00
RK74500-94SO	1.0 GPM spray outlet	670240212602	62.00
RK74500-94VP	2.2 GPM vandal-resistant aerator	670240242364	47.00
<b>Z74500, Z74600, and Z74700 Handles and Indexes</b>			
G60501	2-1/2" vandal-resistant metal lever handles	670240414495	42.00
G60503	Vandal-resistant metal four-arm handles	670240414501	47.00
G60504	4" vandal-resistant metal wrist blade handles	670240414518	139.00
G60508	6" vandal-resistant metal wrist blade handles	670240414525	150.00
G67801	Hot and cold indexes	670240403833	14.00
G67812	Hot and cold indexes, satin nickel finish	670240188709	21.00
<b>Miscellaneous Sierra® Faucet Parts</b>			
Z8743-PC	1-1/4" grid drain assembly	084169618207	49.00
Z8743-PC-STN	1-1/4" grid drain assembly, satin nickel	670240393462	98.00
7340-920	Lift rod	670240659339	17.00
7342-PUA	1-1/4" pop-up drain assembly	670240605626	72.00
7342-PUA-STN	1-1/4" pop-up drain assembly, satin nickel	670240393455	141.00
<b>Z7870 Series Repair Kits</b>			
RK7872C-XL-DV	Hose spray diverter	670240388253	11.00
RK7872C-XL-QR	Quad ring seal kit	670240388246	9.00
RK7872C-XL-CART	Cartridge assembly	-	38.00
RK7872C-XL-3	Bonnet nut assembly	-	48.00
RK7872C-XL-6	Lever handle assembly	-	64.00
RK7872C-XL-21	Spray hose and handset assembly	-	58.00
<b>Z7870C Series Aerators</b>			
RK7872C-94FC	0.5 GPM vandal-resistant aerator	670240397590	61.00
RK7872C-94LA	2.2 GPM laminar flow outlet	670240242487	61.00
RK7872C-SO	1.0 GPM spray outlet	670240212268	61.00
RK7872C-94VP	2.2 GPM vandal-resistant aerator	670240242494	61.00

When ordering parts, always list product number and description.

For additional product information, please visit [www.zurn.com](http://www.zurn.com).

# NOTES

FLUSH VALVES

FAUCETS

TEMP-GARD

TUBULAR BRASS

FIXTURES

AQUAPARTS® REPAIR PARTS  
AND ASSEMBLIES

# TUBULAR BRASS

## STANDARD LAVATORY SUPPLY STOPS AND KITS

Z8800-XL SERIES PIPE - COMPRESSION (3/8 IPS X 3/8 OD)	<b>109</b>
Z8802-XL SERIES PIPE - COMPRESSION (1/2 IPS X 3/8 OD)	<b>109</b>
Z8803-XL SERIES PIPE - COMPRESSION (1/2 IPS X 1/2 OD)	<b>109</b>
Z8804-XL SERIES COMPRESSION - COMPRESSION (1/2 NOM X 3/8 OD)	<b>110</b>
Z8805-XL SERIES COMPRESSION - COMPRESSION (1/2 NOM X 1/2 OD)	<b>110</b>
Z8806-XL SERIES COPPER SWEAT - COMPRESSION (1/2 SWT X 3/8 OD)	<b>111</b>
Z8807-XL SERIES COPPER SWEAT - COMPRESSION (1/2 SWT X 1/2 OD)	<b>111</b>
Z8808-XL SERIES COPPER SWEAT - COMPRESSION (1/2 SWT X 3/8 OD)	<b>111</b>
Z8809-XL SERIES COPPER SWEAT - COMPRESSION (1/2 SWT X 1/2 OD)	<b>111</b>

## HEAVY-DUTY LAVATORY SUPPLY STOPS AND KITS

ZH8820-XL SERIES PIPE - COMPRESSION (3/8 IPS X 3/8 OD)	<b>112</b>
ZH8822-XL SERIES PIPE - COMPRESSION (1/2 IPS X 3/8 OD)	<b>112</b>
ZH8823-XL SERIES PIPE - COMPRESSION (1/2 IPS X 1/2 OD)	<b>112</b>
ZH8824-XL SERIES COMPRESSION - COMPRESSION (1/2 NOM X 3/8 OD)	<b>113</b>
ZH8825-XL SERIES COMPRESSION - COMPRESSION (1/2 NOM X 1/2 OD)	<b>113</b>
ZH8826-XL SERIES COPPER SWEAT - COMPRESSION (1/2 SWT X 3/8 OD)	<b>113</b>
ZH8827-XL SERIES COPPER SWEAT - COMPRESSION (1/2 SWT X 3/8 OD)	<b>113</b>

## STANDARD CLOSET SUPPLY STOPS AND KITS

Z8800-XL SERIES PIPE - COMPRESSION (3/8 IPS X 3/8 OD)	<b>114</b>
Z8802-XL SERIES PIPE - COMPRESSION (1/2 IPS X 3/8 OD)	<b>114</b>
Z8803-XL SERIES PIPE - COMPRESSION (1/2 IPS X 1/2 OD)	<b>114</b>
Z8804-XL SERIES COMPRESSION - COMPRESSION (1/2 NOM X 3/8 OD)	<b>115</b>
Z8805-XL SERIES COMPRESSION - COMPRESSION (3/8 IPS X 3/8 OD)	<b>115</b>
Z8806-XL SERIES COPPER SWEAT - COMPRESSION (1/2 IPS X 3/8 OD)	<b>116</b>
Z8807-XL SERIES COPPER SWEAT - COMPRESSION (1/2 IPS X 1/2 OD)	<b>116</b>
Z8808-XL SERIES COPPER SWEAT - COMPRESSION (1/2 SWT X 3/8 OD)	<b>116</b>
Z8809-XL SERIES COPPER SWEAT - COMPRESSION (1/2 SWT X 1/2 OD)	<b>116</b>

## HEAVY-DUTY CLOSET SUPPLY STOPS AND KITS

ZH8820-XL SERIES PIPE - COMPRESSION (3/8 IPS X 3/8 OD)	<b>117</b>
ZH8822-XL SERIES PIPE - COMPRESSION (1/2 IPS X 3/8 OD)	<b>117</b>
ZH8823-XL SERIES PIPE - COMPRESSION (1/2 IPS X 1/2 OD)	<b>117</b>
ZH8824-XL SERIES COMPRESSION - COMPRESSION (1/2 NOM X 3/8 OD)	<b>118</b>
ZH8825-XL SERIES COMPRESSION - COMPRESSION (1/2 IPS X 1/2 OD)	<b>118</b>
ZH8826-XL SERIES COPPER SWEAT - COMPRESSION (1/2 SWT X 3/8 OD)	<b>118</b>
ZH8827-XL SERIES COPPER SWEAT - COMPRESSION (1/2 SWT X 3/8 OD)	<b>118</b>

## BRAIDED STAINLESS STEEL SUPPLIES

LAVATORY/SINK SUPPLIES	<b>119</b>
Z8860-XL SERIES COMPRESSION - FEMALE THREADED PIPE (3/8 COMP X 1/2 FIP)	<b>119</b>
Z8861-XL SERIES FEMALE THREADED PIPE - FEMALE THREADED PIPE (1/2 FIP X 1/2 FIP)	<b>119</b>
Z8862-XL SERIES COMPRESSION - FEMALE THREADED PIPE (1/2 COMP X 1/2 FIP)	<b>119</b>
CLOSET SUPPLIES	<b>119</b>
Z8870-XL SERIES COMPRESSION - BALLCOCK NUT (3/8 COMP X 7/8 BALLCOCK NUT)	<b>119</b>
Z8873-XL SERIES COMPRESSION - BALLCOCK NUT (1/2 COMP X 7/8 BALLCOCK NUT)	<b>119</b>

## FLANGES AND NIPPLES

FLANGES	<b>120</b>
NIPPLES	<b>120</b>

## SEMI-CAST TRAPS

P-TRAPS WITH WALL BEND	<b>121</b>
P-TRAPS WITH WALL BEND LESS CLEANOUT	<b>122</b>
P-TRAPS WITH WALL BEND LESS CLEANOUT AND WITH CLEANOUT - TAMPER PROOF	<b>122</b>
LESS CLEANOUT	<b>122</b>
WITH CLEANOUT	<b>122</b>
SWIVEL P-TRAPS	<b>123</b>
ALL-CAST SWIVEL TRAPS WITH COPPER EXTENSION P-TRAP	<b>123</b>

## TRAPS

TUBULAR P-TRAPS	124
LESS CLEANOUT	124
WITH CLEANOUT	124
TUBULAR P-TRAPS – EXTRA LONG, 15" AND 18"	124
LESS CLEANOUT	124
WITH CLEANOUT	124
TUBULAR S-TRAPS	125
LESS CLEANOUT	125
WITH CLEANOUT	125
LOW INLET P-TRAPS LESS CLEANOUT	125
REPAIR P-TRAPS AND P-BENDS	125
LOS ANGELES CODE TRAPS	125
WASHINGTON D.C. TRAPS	125
LESS CLEANOUT	125
WITH CLEANOUT	125
MILWAUKEE P-TRAPS	125
LESS CLEANOUT	125
WITH CLEANOUT	125

## SANITARY-DASH®

### PREMIUM LINE OF BASKET STRAINERS

STICK TYPE SS BASKET STRAINER	126
STICK TYPE SS BASKET STRAINER WITH CHROME-PLATED BRASS BODY	126
FOUR-PRONGE SS BASKET STRAINER CHROME-PLATED BRASS BODY – STAINLESS BASKET	126
STICK TYPE SS BASKET STRAINER WITH LONG SHANK	126
STAINLESS STEEL BASKET STRAINER	127
BRASS BODY BASKET STRAINER WITH SPIN AND LOCK BASKET CLOSURE	127
STAINLESS STEEL MACHINE THREADED TAIL-PIPE BASKET STRAINER	127
STICK TYPE BASKET STRAINER WITH ALL STAINLESS STEEL BODY	127
FLAT TOP SINK STRAINER 3"-3-1/2" OUTLET WITH REVERSIBLE LOCKNUT	128
DUPLEX SINK STRAINER 2"-2-1/2" OUTLET	128
JR. 2" BASKET STRAINER	128
ACCESSORIES	128

## STRAINERS, P.O. PLUGS, AND OFFSETS

BEEHIVE URINAL STRAINERS	129
FLAT GRID URINAL STRAINERS	129
FLAT GRID FIPS URINAL STRAINERS	129
FLAT GRID SINK STRAINERS	129
WIDE TOP SINK STRAINERS	129
HEAVY-DUTY BASKET STRAINERS	130
SOLID TOP, OPEN-GRID P.O. PLUGS	130
SOLID TOP, OPEN-GRID P.O. PLUGS OPTIONS	130
OFFSET LAVATORY STRAINERS, ADA COMPLIANT	131
OPTIONS FOR OFFSET LAVATORY STRAINERS, ADA COMPLIANT	131
OFFSET SINK STRAINERS, ADA COMPLIANT	131

## OVERFLOWS

BRASS WASTE AND OVERFLOWS WITH CHAIN AND STOPPER	132
BRASS TRIP LEVER WASTES PLUNGER TYPE	132
BRASS POP-UP FOOT ACTIVATED	132
LIFT AND TURN WASTES	132

## TRAP, STOP, AND SUPPLY PROTECTORS

INSUL-GUARD™ RETROFIT KITS	133
PRE-WRAPPED CAST BODY P-TRAPS WITH TUBULAR WALL BEND	133
PRE-WRAPPED CAST BODY P-TRAPS WITH LAVATORY OFFSET ASSEMBLY	133

# STANDARD LAVATORY SUPPLY STOPS AND KITS

This section includes standard angle control stops and supply kits with wheel handle type, loose key type, and quarter turn options. Standard lavatory supply kits are provided with (2) 12" chrome plated copper riser tubes with (2) chrome plated steel flanges. There are also braided stainless steel hose supply kit options.

PRODUCT NUMBER	DESCRIPTION	UPC	LIST PRICE
<b>Z8800-XL Series Pipe - Compression (3/8 IPS x 3/8 OD)</b>			
Z8800-XL-PC	Control Stop Standard	670240811508	13.00
Z8800-XL-LK-PC	Control Stop Loose Key	670240811485	16.00
Z8800-XL-Q-PC	Control Stop Quarter Turn	670240811577	20.00
Z8800-XL-LK-Q-PC	Control Stop Loose Key Quarter Turn	-	22.00
Z8800-XL-LR-PC	Control Stop Standard w/ Copper Riser Supply Kit	670240824201	35.00
Z8800-XL-LR-LK-PC	Control Stop Loose Key w/ Copper Riser Supply Kit	670240833227	37.00
Z8800-XL-LR-Q-PC	Control Stop Quarter Turn w/ Copper Riser Supply Kit	-	47.00
Z8800-XL-LR-LK-Q-PC	Control Stop Loose Key Quarter Turn w/ Copper Riser Supply Kit	670240860001	48.00
Z8800-XL-LR-8860-12-PC	Control Stop Standard w/ SS Hose Supply Kit	-	43.00
Z8800-XL-LR-LK-8860-12-PC	Control Stop Loose Key w/ SS Hose Supply Kit	-	44.00
Z8800-XL-LR-Q-8860-12-PC	Control Stop Quarter Turn w/ SS Hose Supply Kit	-	51.00
Z8800-XL-LR-LK-Q-8860-12-PC	Control Stop Loose Key Quarter Turn w/ SS Hose Supply Kit	-	56.00
<b>Z8802-XL Series Pipe - Compression (1/2 IPS x 3/8 OD)</b>			
Z8802-XL-PC	Control Stop Standard	670240358928	13.00
Z8802-XL-LK-PC	Control Stop Loose Key	670240358935	14.00
Z8802-XL-Q-PC	Control Stop Quarter Turn	670240389854	15.00
Z8802-XL-LK-Q-PC	Control Stop Loose Key Quarter Turn	-	19.00
Z8802-XL-LR-PC	Control Stop Standard w/ Copper Riser Supply Kit	670240454378	41.00
Z8802-XL-LR-LK-PC	Control Stop Loose Key w/ Copper Riser Supply Kit	-	47.00
Z8802-XL-LR-Q-PC	Control Stop Quarter Turn w/ Copper Riser Supply Kit	-	45.00
Z8802-XL-LR-LK-Q-PC	Control Stop Loose Key Quarter Turn w/ Copper Riser Supply Kit	-	49.00
Z8802-XL-LR-8860-12-PC	Control Stop Standard w/ SS Hose Supply Kit	-	47.00
Z8802-XL-LR-LK-8860-12-PC	Control Stop Loose Key w/ SS Hose Supply Kit	670240374409	52.00
Z8802-XL-LR-Q-8860-12-PC	Control Stop Quarter Turn w/ SS Hose Supply Kit	-	51.00
Z8802-XL-LR-LK-Q-8860-12-PC	Control Stop Loose Key Quarter Turn w/ SS Hose Supply Kit	-	56.00
<b>Z8803-XL Series Pipe - Compression (1/2 IPS x 1/2 OD)</b>			
Z8803-XL-PC	Control Stop Standard	670240824720	16.00
Z8803-XL-LK-PC	Control Stop Loose Key	670240824737	20.00
Z8803-XL-LR-PC	Control Stop Standard w/ Copper Riser Supply Kit	670240008069	58.00
Z8803-XL-LR-LK-PC	Control Stop Loose Key w/ Copper Riser Supply Kit	670240866737	72.00
Z8803-XL-LR-8862-12-PC	Control Stop Standard w/ SS Hose Supply Kit	-	56.00
Z8803-XL-LR-LK-8862-12-PC	Control Stop Loose Key w/ SS Hose Supply Kit	-	73.00



SUFFIX	ADD	SUFFIX	ADD	SUFFIX	ADD
-XL = Lead Compliant	-	-C1 = Standard Line Lock Shield	7.00	-3 = 3/8" IPS x 3" Nipple	21.00
-LR = Supply Kit Copper Risers	-	-CE = Cast Escutcheon	24.00	-3 = 1/2" IPS x 3" Nipple	27.00
-LK = Loose Key	-	-D = Deep Steel Escutcheon	5.00	-5 = 3/8" IPS x 5" Nipple	30.00
-Q = Quarter Turn	-	-PC = Polished Chrome	-	-5 = 1/2" IPS x 5" Nipple	39.00
				-8860 = Braided Stainless Steel	-
				-16 = 16" length	5.00
				-20 = 20" length	9.00

When ordering parts, always list product number and description.

For additional product information, please visit [www.zurn.com](http://www.zurn.com).

All dimensions in inches; all weights in pounds.

PRODUCT NUMBER	DESCRIPTION	UPC	LIST PRICE
<b>Z8804-XL Series Compression - Compression (1/2 NOM x 3/8 OD)</b>			
Z8804-XL-PC	Control Stop Standard	670240358973	14.00
Z8804-XL-LK-PC	Control Stop Loose Key	670240358980	16.00
Z8804-XL-Q-PC	Control Stop Quarter Turn	670240389878	16.00
Z8804-XL-LK-Q-PC	Control Stop Loose Key Quarter Turn	-	19.00
Z8804-XL-LR-PC	Control Stop Standard w/ Copper Riser Supply Kit	670240385740	39.00
Z8804-XL-LR-LK-PC	Control Stop Loose Key w/ Copper Riser Supply Kit	-	43.00
Z8804-XL-LR-Q-PC	Control Stop Quarter Turn w/ Copper Riser Supply Kit	-	50.00
Z8804-XL-LR-LK-Q-PC	Control Stop Loose Key Quarter Turn w/ Copper Riser Supply Kit	-	53.00
Z8804-XL-LR-8860-12-PC	Control Stop Standard w/ SS Hose Supply Kit	-	47.00
Z8804-XL-LR-LK-8860-12-PC	Control Stop Loose Key w/ SS Hose Supply Kit	-	53.00
Z8804-XL-LR-Q-8860-12-PC	Control Stop Quarter Turn w/ SS Hose Supply Kit	-	61.00
Z8804-XL-LR-LK-Q-8860-12-PC	Control Stop Loose Key Quarter Turn w/ SS Hose Supply Kit	-	63.00
<b>Z8805-XL Series Compression - Compression (1/2 NOM x 1/2 OD)</b>			
Z8805-XL-PC	Control Stop Standard	670240834248	14.00
Z8805-XL-LK-PC	Control Stop Loose Key	670240829558	16.00
Z8805-XL-LR-PC	Control Stop Standard w/ Copper Riser Supply Kit	670240845879	49.00
Z8805-XL-LR-LK-PC	Control Stop Loose Key w/ Copper Riser Supply Kit	-	53.00
Z8805-XL-LR-8862-12-PC	Control Stop Standard w/ SS Hose Supply Kit	-	51.00
Z8805-XL-LR-LK-8862-12-PC	Control Stop Loose Key w/ SS Hose Supply Kit	-	56.00

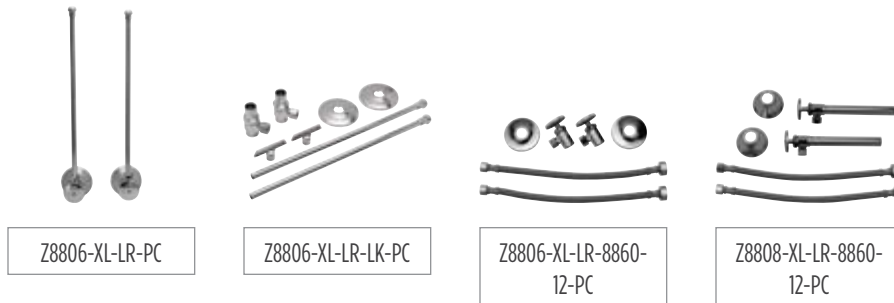


SUFFIX	ADD	SUFFIX	ADD	SUFFIX	ADD
-XL = Lead Compliant	-	-C1 = Standard Line Lock Shield	7.00	-3 = 3/8" IPS x 3" Nipple	21.00
-LR = Supply Kit Copper Risers	-	-CE = Cast Escutcheon	24.00	-3 = 1/2" IPS x 3" Nipple	27.00
-LK = Loose Key	-	-D = Deep Steel Escutcheon	5.00	-5 = 3/8" IPS x 5" Nipple	30.00
-Q = Quarter Turn	-	-PC = Polished Chrome	-	-5 = 1/2" IPS x 5" Nipple	39.00
				-8860 = Braided Stainless Steel	-
				-16 = 16" length	5.00
				-20 = 20" length	9.00

For additional product information, please visit [www.zurn.com](http://www.zurn.com).

When ordering parts, always list product number and description.

PRODUCT NUMBER	DESCRIPTION	UPC	LIST PRICE
<b>Z8806-XL Series Copper Sweat - Compression (1/2 SWT x 3/8 OD)</b>			
Z8806-XL-PC	Control Stop Standard	670240811560	14.00
Z8806-XL-LK-PC	Control Stop Loose Key	670240794627	17.00
Z8806-XL-Q-PC	Control Stop Quarter Turn	670240811553	20.00
Z8806-XL-LK-Q-PC	Control Stop Loose Key Quarter Turn	-	21.00
Z8806-XL-LR-PC	Control Stop Standard w/ Copper Riser Supply Kit	670240841604	39.00
Z8806-XL-LR-LK-PC	Control Stop Loose Key w/ Copper Riser Supply Kit	670240841574	43.00
Z8806-XL-LR-Q-PC	Control Stop Quarter Turn w/ Copper Riser Supply Kit	670240936898	41.00
Z8806-XL-LR-LK-Q-PC	Control Stop Loose Key Quarter Turn w/ Copper Riser Supply Kit	670240856936	48.00
Z8806-XL-LR-8860-12-PC	Control Stop Standard w/ SS Hose Supply Kit	-	41.00
Z8806-XL-LR-LK-8860-12-PC	Control Stop Loose Key w/ SS Hose Supply Kit	-	44.00
Z8806-XL-LR-Q-8860-12-PC	Control Stop Quarter Turn w/ SS Hose Supply Kit	-	45.00
Z8806-XL-LR-LK-Q-8860-12-PC	Control Stop Loose Key Quarter Turn w/ SS Hose Supply Kit	-	49.00
<b>Z8807-XL Series Copper Sweat - Compression (1/2 SWT x 1/2 OD)</b>			
Z8807-XL-PC	Control Stop Standard	670240834255	13.00
Z8807-XL-LK-PC	Control Stop Loose Key	670240829534	15.00
Z8807-XL-LR-PC	Control Stop Standard w/ Copper Riser Supply Kit	670240860636	43.00
Z8807-XL-LR-LK-PC	Control Stop Loose Key w/ Copper Riser Supply Kit	670240935273	45.00
Z8807-XL-LR-8862-12-PC	Control Stop Standard w/ SS Hose Supply Kit	-	45.00
Z8807-XL-LR-LK-8862-12-PC	Control Stop Loose Key w/ SS Hose Supply Kit	-	47.00
<b>Z8808-XL Series Copper Sweat - Compression (1/2 SWT x 3/8 OD)</b>			
Z8808-XL-PC	Control Stop Standard	670240358997	17.00
Z8808-XL-LK-PC	Control Stop Loose Key	670240359000	20.00
Z8808-XL-Q-PC	Control Stop Quarter Turn	670240389892	22.00
Z8808-XL-LK-Q-PC	Control Stop Loose Key Quarter Turn	-	28.00
Z8808-XL-LR-PC	Control Stop Standard w/ Copper Riser Supply Kit	670240385764	62.00
Z8808-XL-LR-LK-PC	Control Stop Loose Key w/ Copper Riser Supply Kit	-	66.00
Z8808-XL-LR-Q-PC	Control Stop Quarter Turn w/ Copper Riser Supply Kit	-	72.00
Z8808-XL-LR-LK-Q-PC	Control Stop Loose Key Quarter Turn w/ Copper Riser Supply Kit	-	75.00
Z8808-XL-LR-8860-12-PC	Control Stop Standard w/ SS Hose Supply Kit	-	67.00
Z8808-XL-LR-LK-8860-12-PC	Control Stop Loose Key w/ SS Hose Supply Kit	670240374980	69.00
Z8808-XL-LR-Q-8860-12-PC	Control Stop Quarter Turn w/ SS Hose Supply Kit	-	77.00
Z8808-XL-LR-LK-Q-8860-12-PC	Control Stop Loose Key Quarter Turn w/ SS Hose Supply Kit	-	79.00
<b>Z8809-XL Series Copper Sweat - Compression (1/2 SWT x 1/2 OD)</b>			
Z8809-XL-PC	Control Stop Standard	670240834262	29.00
Z8809-XL-LK-PC	Control Stop Loose Key	670240829541	31.00
Z8809-XL-LR-PC	Control Stop Standard w/ Copper Riser Supply Kit	670240861220	80.00
Z8809-XL-LR-LK-PC	Control Stop Loose Key w/ Copper Riser Supply Kit	670240854437	84.00
Z8809-XL-LR-8862-12-PC	Control Stop Standard w/ SS Hose Supply Kit	-	82.00
Z8809-XL-LR-LK-8862-12-PC	Control Stop Loose Key w/ SS Hose Supply Kit	-	86.00



SUFFIX	ADD SUFFIX	ADD SUFFIX	ADD SUFFIX	ADD
-XL = Lead Compliant	- C1 = Standard Line Lock Shield	7.00	-3 = 3/8" IPS x 3" Nipple	21.00
-LR = Supply Kit Copper Risers	- CE = Cast Escutcheon	24.00	-3 = 1/2" IPS x 3" Nipple	27.00
-LK = Loose Key	- D = Deep Steel Escutcheon	5.00	-5 = 3/8" IPS x 5" Nipple	30.00
-Q = Quarter Turn	- PC = Polished Chrome	-	-5 = 1/2" IPS x 5" Nipple	39.00
			-8860 = Braided Stainless Steel	-
			-16 = 16" length	5.00
			-20 = 20" length	9.00

When ordering parts, always list product number and description.

For additional product information, please visit [www.zurn.com](http://www.zurn.com).



# HEAVY-DUTY LAVATORY SUPPLY STOPS AND KITS

This section includes heavy-duty angle control stops and supply kits with wheel handle type, loose key type, and quarter turn options. Heavy-duty lavatory supply kits are provided with (2) 12" chrome plated copper riser tubes with (2) chrome plated steel flanges. There are also braided stainless steel hose supply kit options.

PRODUCT NUMBER	DESCRIPTION	UPC	LIST PRICE
<b>ZH8820-XL Series Pipe - Compression (3/8 IPS x 3/8 OD)</b>			
ZH8820-XL-PC	Control Stop Standard	670240813786	30.00
ZH8820-XL-LK-PC	Control Stop Loose Key	670240813762	35.00
ZH8820-XL-Q-PC	Control Stop Quarter Turn	670240813793	37.00
ZH8820-XL-LK-Q-PC	Control Stop Loose Key Quarter Turn	-	39.00
ZH8820-XL-LR-PC	Control Stop Standard w/ Copper Riser Supply Kit	670240856974	67.00
ZH8820-XL-LR-LK-PC	Control Stop Loose Key w/ Copper Riser Supply Kit	-	78.00
ZH8820-XL-LR-Q-PC	Control Stop Quarter Turn w/ Copper Riser Supply Kit	889934079463	82.00
ZH8820-XL-LR-LK-Q-PC	Control Stop Loose Key Quarter Turn w/ Copper Riser Supply Kit	889934068672	85.00
ZH8820-XL-LR-8860-12-PC	Control Stop Standard w/ SS Hose Supply Kit	-	72.00
ZH8820-XL-LR-LK-8860-12-PC	Control Stop Loose Key w/ SS Hose Supply Kit	-	81.00
ZH8820-XL-LR-Q-8860-12-PC	Control Stop Quarter Turn w/ SS Hose Supply Kit	-	86.00
ZH8820-XL-LR-LK-Q-8860-12-PC	Control Stop Loose Key Quarter Turn w/ SS Hose Supply Kit	-	90.00
<b>ZH8822-XL Series Pipe - Compression (1/2 IPS x 3/8 OD)</b>			
ZH8822-XL-PC	Control Stop Standard	670240359017	30.00
ZH8822-XL-LK-PC	Control Stop Loose Key	670240359024	35.00
ZH8822-XL-Q-PC	Control Stop Quarter Turn	670240389915	38.00
ZH8822-XL-LK-Q-PC	Control Stop Loose Key Quarter Turn	-	43.00
ZH8822-XL-LR-PC	Control Stop Standard w/ Copper Riser Supply Kit	670240792098	75.00
ZH8822-XL-LR-LK-PC	Control Stop Loose Key w/ Copper Riser Supply Kit	-	85.00
ZH8822-XL-LR-Q-PC	Control Stop Quarter Turn w/ Copper Riser Supply Kit	889934064636	90.00
ZH8822-XL-LR-LK-Q-PC	Control Stop Loose Key Quarter Turn w/ Copper Riser Supply Kit	-	94.00
ZH8822-XL-LR-8860-12-PC	Control Stop Standard w/ SS Hose Supply Kit	-	79.00
ZH8822-XL-LR-LK-8860-12-PC	Control Stop Loose Key w/ SS Hose Supply Kit	-	90.00
ZH8822-XL-LR-Q-8860-12-PC	Control Stop Quarter Turn w/ SS Hose Supply Kit	-	95.00
ZH8822-XL-LR-LK-Q-8860-12-PC	Control Stop Loose Key Quarter Turn w/ SS Hose Supply Kit	-	98.00
<b>ZH8823-XL Series Pipe - Compression (1/2 IPS x 1/2 OD)</b>			
ZH8823-XL-PC	Control Stop Standard	670240824713	33.00
ZH8823-XL-LK-PC	Control Stop Loose Key	670240824706	41.00
ZH8823-XL-LR-PC	Control Stop Standard w/ Copper Riser Supply Kit	670240838437	101.00
ZH8823-XL-LR-LK-PC	Control Stop Loose Key w/ Copper Riser Supply Kit	670240866744	103.00
ZH8823-XL-LR-8862-12-PC	Control Stop Standard w/ SS Hose Supply Kit	-	105.00
ZH8823-XL-LR-LK-8862-12-PC	Control Stop Loose Key w/ SS Hose Supply Kit	-	109.00



ZH880\_-XL-LR-PC



ZH880\_-XL-LR-Q-PC



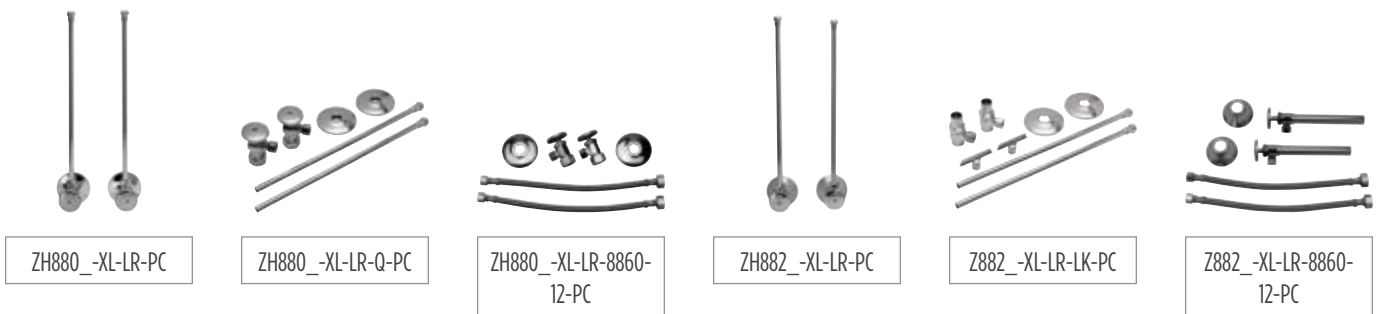
ZH880\_-XL-LR-8860-12-PC

SUFFIX	ADD	SUFFIX	ADD	SUFFIX	ADD		
-XL = Lead Compliant	-	-C1 = Standard Line Lock Shield	7.00	-3 = 3/8" IPS x 3" Nipple	21.00	-8860 = Braided Stainless Steel	-
-LR = Supply Kit Copper Risers	-	-CE = Cast Escutcheon	24.00	-3 = 1/2" IPS x 3" Nipple	27.00	-16 = 16" length	5.00
-LK = Loose Key	-	-D = Deep Steel Escutcheon	5.00	-5 = 3/8" IPS x 5" Nipple	30.00	-20 = 20" length	9.00
-Q = Quarter Turn	-	-PC = Polished Chrome	-	-5 = 1/2" IPS x 5" Nipple	39.00		

For additional product information, please visit [www.zurn.com](http://www.zurn.com).

When ordering parts, always list product number and description.

PRODUCT NUMBER	DESCRIPTION	UPC	LIST PRICE
<b>ZH8824-XL Series Compression - Compression (1/2 NOM x 3/8 OD)</b>			
ZH8824-XL-PC	Control Stop Standard	670240359031	37.00
ZH8824-XL-LK-PC	Control Stop Loose Key	670240359048	42.00
ZH8824-XL-Q-PC	Control Stop Quarter Turn	670240389939	45.00
ZH8824-XL-LK-Q-PC	Control Stop Loose Key Quarter Turn	-	50.00
ZH8824-XL-LR-PC	Control Stop Standard w/ Copper Riser Supply Kit	670240381612	84.00
ZH8824-XL-LR-LK-PC	Control Stop Loose Key w/ Copper Riser Supply Kit	-	96.00
ZH8824-XL-LR-Q-PC	Control Stop Quarter Turn w/ Copper Riser Supply Kit	670240794849	101.00
ZH8824-XL-LR-LK-Q-PC	Control Stop Loose Key Quarter Turn w/ Copper Riser Supply Kit	-	104.00
ZH8824-XL-LR-8860-12-PC	Control Stop Standard w/ SS Hose Supply Kit	-	88.00
ZH8824-XL-LR-LK-8860-12-PC	Control Stop Loose Key w/ SS Hose Supply Kit	-	100.00
ZH8824-XL-LR-Q-8860-12-PC	Control Stop Quarter Turn w/ SS Hose Supply Kit	-	106.00
ZH8824-XL-LR-LK-Q-8860-12-PC	Control Stop Loose Key Quarter Turn w/ SS Hose Supply Kit	-	109.00
<b>ZH8825-XL Series Compression - Compression (1/2 NOM x 1/2 OD)</b>			
ZH8825-XL-PC	Control Stop Standard	889934065671	38.00
ZH8825-XL-LK-PC	Control Stop Loose Key	889934065688	43.00
ZH8825-XL-LR-PC	Control Stop Standard w/ Copper Riser Supply Kit	-	96.00
ZH8825-XL-LR-LK-PC	Control Stop Loose Key w/ Copper Riser Supply Kit	889934065718	105.00
ZH8825-XL-LR-8862-12-PC	Control Stop Standard w/ SS Hose Supply Kit	-	101.00
ZH8825-XL-LR-LK-8862-12-PC	Control Stop Loose Key w/ SS Hose Supply Kit	-	110.00
<b>ZH8826-XL Series Copper Sweat - Compression (1/2 SWT x 3/8 OD)</b>			
ZH8826-XL-PC	Control Stop Standard	670240813823	37.00
ZH8826-XL-LK-PC	Control Stop Loose Key	670240813809	41.00
ZH8826-XL-LR-PC	Control Stop Standard w/ Copper Riser Supply Kit	670240853812	100.00
ZH8826-XL-LR-LK-PC	Control Stop Loose Key w/ Copper Riser Supply Kit	670240852822	114.00
ZH8826-XL-LR-8860-12-PC	Control Stop Standard w/ SS Hose Supply Kit	-	105.00
ZH8826-XL-LR-LK-8860-12-PC	Control Stop Loose Key w/ SS Hose Supply Kit	-	119.00
<b>ZH8827-XL Series Copper Sweat - Compression (1/2 SWT x 3/8 OD)</b>			
ZH8827-XL-PC	Control Stop Standard	670240813816	49.00
ZH8827-XL-LK-PC	Control Stop Loose Key	670240813885	55.00
ZH8827-XL-LR-PC	Control Stop Standard w/ Copper Riser Supply Kit	670240822900	114.00
ZH8827-XL-LR-LK-PC	Control Stop Loose Key w/ Copper Riser Supply Kit	670240845800	115.00
ZH8827-XL-LR-8860-12-PC	Control Stop Standard w/ SS Hose Supply Kit	-	119.00
ZH8827-XL-LR-LK-8860-12-PC	Control Stop Loose Key w/ SS Hose Supply Kit	-	120.00



SUFFIX	ADD SUFFIX	ADD SUFFIX	ADD SUFFIX	ADD
-XL = Lead Compliant	-C1 = Standard Line Lock Shield	7.00	-3 = 3/8" IPS x 3" Nipple	21.00
-LR = Supply Kit Copper Risers	-CE = Cast Escutcheon	24.00	-3 = 1/2" IPS x 3" Nipple	27.00
-LK = Loose Key	-D = Deep Steel Escutcheon	5.00	-5 = 3/8" IPS x 5" Nipple	30.00
-Q = Quarter Turn	-PC = Polished Chrome	-	-5 = 1/2" IPS x 5" Nipple	39.00
			-8860 = Braided Stainless Steel	-
			-16 = 16" length	5.00
			-20 = 20" length	9.00

When ordering parts, always list product number and description.

For additional product information, please visit [www.zurn.com](http://www.zurn.com).

# STANDARD CLOSET SUPPLY STOPS AND KITS

This section includes standard angle control stops and supply kits with wheel handle type, loose key type, and quarter turn options. Standard water closet supply kits are provided with (1) 12" chrome plated copper riser tubes with (1) chrome plated steel flanges. There are also braided stainless steel hose supply kit options.

PRODUCT NUMBER	DESCRIPTION	UPC	LIST PRICE
<b>Z8800-XL Series Pipe - Compression (3/8 IPS x 3/8 OD)</b>			
Z8800-XL-PC	Control Stop Standard	670240811508	13.00
Z8800-XL-LK-PC	Control Stop Loose Key	670240811485	16.00
Z8800-XL-Q-PC	Control Stop Quarter Turn	670240811577	20.00
Z8800-XL-LK-Q-PC	Control Stop Loose Key Quarter Turn	-	22.00
Z8800-XL-CR-PC	Control Stop Standard w/ Copper Riser Supply Kit	670240856998	20.00
Z8800-XL-CR-LK-PC	Control Stop Loose Key w/ Copper Riser Supply Kit	670240861480	21.00
Z8800-XL-CR-Q-PC	Control Stop Quarter Turn w/ Copper Riser Supply Kit	-	26.00
Z8800-XL-CR-LK-Q-PC	Control Stop Loose Key Quarter Turn w/ Copper Riser Supply Kit	889934066210	27.00
Z8800-XL-CR-8870-12-PC	Control Stop Standard w/ SS Hose Supply Kit	-	25.00
Z8800-XL-CR-LK-8870-12-PC	Control Stop Loose Key w/ SS Hose Supply Kit	-	26.00
Z8800-XL-CR-Q-8870-12-PC	Control Stop Quarter Turn w/ SS Hose Supply Kit	-	29.00
Z8800-XL-CR-LK-Q-8870-12-PC	Control Stop Loose Key Quarter Turn w/ SS Hose Supply Kit	-	31.00
<b>Z8802-XL Series Pipe - Compression (1/2 IPS x 3/8 OD)</b>			
Z8802-XL-PC	Control Stop Standard	670240358928	13.00
Z8802-XL-LK-PC	Control Stop Loose Key	670240358935	14.00
Z8802-XL-Q-PC	Control Stop Quarter Turn	670240389854	15.00
Z8802-XL-LK-Q-PC	Control Stop Loose Key Quarter Turn	-	19.00
Z8802-XL-CR-PC	Control Stop Standard w/ Copper Riser Supply Kit	670240807716	23.00
Z8802-XL-CR-LK-PC	Control Stop Loose Key w/ Copper Riser Supply Kit	670240018105	27.00
Z8802-XL-CR-Q-PC	Control Stop Quarter Turn w/ Copper Riser Supply Kit	-	26.00
Z8802-XL-CR-LK-Q-PC	Control Stop Loose Key Quarter Turn w/ Copper Riser Supply Kit	889934065862	28.00
Z8802-XL-CR-8870-12-PC	Control Stop Standard w/ SS Hose Supply Kit	-	26.00
Z8802-XL-CR-LK-8870-12-PC	Control Stop Loose Key w/ SS Hose Supply Kit	-	29.00
Z8802-XL-CR-Q-8870-12-PC	Control Stop Quarter Turn w/ SS Hose Supply Kit	-	29.00
Z8802-XL-CR-LK-Q-8870-12-PC	Control Stop Loose Key Quarter Turn w/ SS Hose Supply Kit	-	31.00
<b>Z8803-XL Series Pipe - Compression (1/2 IPS x 1/2 OD)</b>			
Z8803-XL-PC	Control Stop Standard	670240824720	16.00
Z8803-XL-LK-PC	Control Stop Loose Key	670240824737	20.00
Z8803-XL-CR-PC	Control Stop Standard w/ Copper Riser Supply Kit	-	40.00
Z8803-XL-CR-LK-PC	Control Stop Loose Key w/ Copper Riser Supply Kit	889934085273	40.00
Z8803-XL-CR-8873-12-PC	Control Stop Standard w/ SS Hose Supply Kit	-	33.00
Z8803-XL-CR-LK-8873-12-PC	Control Stop Loose Key w/ SS Hose Supply Kit	-	42.00



Z880\_-XL-CR-PC



Z880\_-XL-CR-8870-12-PC

SUFFIX	ADD	SUFFIX	ADD	SUFFIX	ADD		
-XL = Lead Compliant	-	-C1 = Standard Line Lock Shield	7.00	-3 = 3/8" IPS x 3" Nipple	21.00	-8860 = Braided Stainless Steel	-
-LR = Supply Kit Copper Risers	-	-CE = Cast Escutcheon	24.00	-3 = 1/2" IPS x 3" Nipple	27.00	-16 = 16" length	5.00
-LK = Loose Key	-	-D = Deep Steel Escutcheon	5.00	-5 = 3/8" IPS x 5" Nipple	30.00	-20 = 20" length	9.00
-Q = Quarter Turn	-	-PC = Polished Chrome	-	-5 = 1/2" IPS x 5" Nipple	39.00		

For additional product information, please visit [www.zurn.com](http://www.zurn.com).

When ordering parts, always list product number and description.

PRODUCT NUMBER	DESCRIPTION	UPC	LIST PRICE
<b>Z8804-XL Series Compression - Compression (1/2 NOM x 3/8 OD)</b>			
Z8804-XL-PC	Control Stop Standard	670240358973	14.00
Z8804-XL-LK-PC	Control Stop Loose Key	670240358980	16.00
Z8804-XL-Q-PC	Control Stop Quarter Turn	670240389878	16.00
Z8804-XL-LK-Q-PC	Control Stop Loose Key Quarter Turn	-	19.00
Z8804-XL-CR-PC	Control Stop Standard w/ Copper Riser Supply Kit	670240817043	22.00
Z8804-XL-CR-LK-PC	Control Stop Loose Key w/ Copper Riser Supply Kit	670240824126	25.00
Z8804-XL-CR-Q-PC	Control Stop Quarter Turn w/ Copper Riser Supply Kit	-	28.00
Z8804-XL-CR-LK-Q-PC	Control Stop Loose Key Quarter Turn w/ Copper Riser Supply Kit	-	30.00
Z8804-XL-CR-8870-12-PC	Control Stop Standard w/ SS Hose Supply Kit	-	26.00
Z8804-XL-CR-LK-8870-12-PC	Control Stop Loose Key w/ SS Hose Supply Kit	-	30.00
Z8804-XL-CR-Q-8870-12-PC	Control Stop Quarter Turn w/ SS Hose Supply Kit	-	31.00
Z8804-XL-CR-LK-Q-8870-12-PC	Control Stop Loose Key Quarter Turn w/ SS Hose Supply Kit	-	32.00
<b>Z8805-XL Series Compression - Compression (3/8 IPS x 3/8 OD)</b>			
Z8805-XL-PC	Control Stop Standard	670240834248	14.00
Z8805-XL-LK-PC	Control Stop Loose Key	670240829558	16.00
Z8805-XL-CR-PC	Control Stop Standard w/ Copper Riser Supply Kit	670240967045	28.00
Z8805-XL-CR-LK-PC	Control Stop Loose Key w/ Copper Riser Supply Kit	-	30.00
Z8805-XL-CR-8873-12-PC	Control Stop Standard w/ SS Hose Supply Kit	-	30.00
Z8805-XL-CR-LK-8873-12-PC	Control Stop Loose Key w/ SS Hose Supply Kit	-	31.00



Z8804-XL-CR-PC



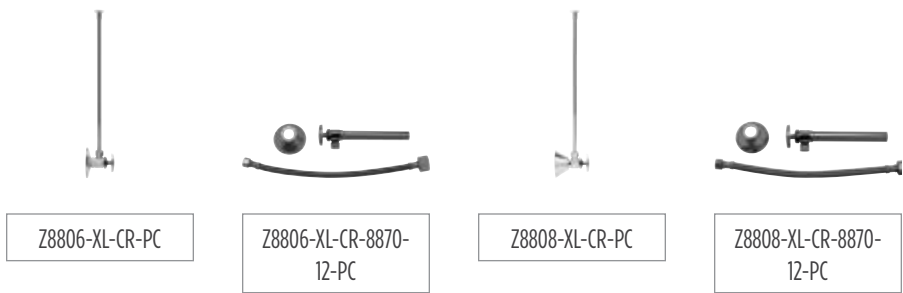
Z8804-XL-CR-8870-12-PC

SUFFIX	ADD	SUFFIX	ADD	SUFFIX	ADD	SUFFIX	ADD
-XL = Lead Compliant	-	-C1 = Standard Line Lock Shield	7.00	-3 = 3/8" IPS x 3" Nipple	21.00	-8860 = Braided Stainless Steel	-
-LR = Supply Kit Copper Risers	-	-CE = Cast Escutcheon	24.00	-3 = 1/2" IPS x 3" Nipple	27.00	-16 = 16" length	5.00
-LK = Loose Key	-	-D = Deep Steel Escutcheon	5.00	-5 = 3/8" IPS x 5" Nipple	30.00	-20 = 20" length	9.00
-Q = Quarter Turn	-	-PC = Polished Chrome	-	-5 = 1/2" IPS x 5" Nipple	39.00		

When ordering parts, always list product number and description.

For additional product information, please visit [www.zurn.com](http://www.zurn.com).

PRODUCT NUMBER	DESCRIPTION	UPC	LIST PRICE
<b>Z8806-XL Series Copper Sweat - Compression (1/2 IPS x 3/8 OD)</b>			
Z8806-XL-PC	Control Stop Standard	670240811560	14.00
Z8806-XL-LK-PC	Control Stop Loose Key	670240794627	17.00
Z8806-XL-Q-PC	Control Stop Quarter Turn	670240811553	20.00
Z8806-XL-LK-Q-PC	Control Stop Loose Key Quarter Turn	-	21.00
Z8806-XL-CR-PC	Control Stop Standard w/ Copper Riser Supply Kit	670240853904	22.00
Z8806-XL-CR-LK-PC	Control Stop Loose Key w/ Copper Riser Supply Kit	670240938052	25.00
Z8806-XL-CR-Q-PC	Control Stop Quarter Turn w/ Copper Riser Supply Kit	889934065893	23.00
Z8806-XL-CR-LK-Q-PC	Control Stop Loose Key Quarter Turn w/ Copper Riser Supply Kit	889934065916	27.00
Z8806-XL-CR-8870-12-PC	Control Stop Standard w/ SS Hose Supply Kit	-	23.00
Z8806-XL-CR-LK-8870-12-PC	Control Stop Loose Key w/ SS Hose Supply Kit	-	26.00
Z8806-XL-CR-Q-8870-12-PC	Control Stop Quarter Turn w/ SS Hose Supply Kit	-	26.00
Z8806-XL-CR-LK-Q-8870-12-PC	Control Stop Loose Key Quarter Turn w/ SS Hose Supply Kit	-	27.00
<b>Z8807-XL Series Copper Sweat - Compression (1/2 IPS x 1/2 OD)</b>			
Z8807-XL-PC	Control Stop Standard	670240834255	13.00
Z8807-XL-LK-PC	Control Stop Loose Key	670240829534	15.00
Z8807-XL-CR-PC	Control Stop Standard w/ Copper Riser Supply Kit	-	25.00
Z8807-XL-CR-LK-PC	Control Stop Loose Key w/ Copper Riser Supply Kit	-	26.00
Z8807-XL-CR-8870-12-PC	Control Stop Standard w/ SS Hose Supply Kit	-	26.00
Z8807-XL-CR-LK-8870-12-PC	Control Stop Loose Key w/ SS Hose Supply Kit	-	27.00
<b>Z8808-XL Series Copper Sweat - Compression (1/2 SWT x 3/8 OD)</b>			
Z8808-XL-PC	Control Stop Standard	670240358997	17.00
Z8808-XL-LK-PC	Control Stop Loose Key	670240359000	20.00
Z8808-XL-Q-PC	Control Stop Quarter Turn	670240389892	22.00
Z8808-XL-LK-Q-PC	Control Stop Loose Key Quarter Turn	-	28.00
Z8808-XL-CR-PC	Control Stop Standard w/ Copper Riser Supply Kit	670240690677	34.00
Z8808-XL-CR-LK-PC	Control Stop Loose Key w/ Copper Riser Supply Kit	-	38.00
Z8808-XL-CR-Q-PC	Control Stop Quarter Turn w/ Copper Riser Supply Kit	-	40.00
Z8808-XL-CR-LK-Q-PC	Control Stop Loose Key Quarter Turn w/ Copper Riser Supply Kit	670240922198	41.00
Z8808-XL-CR-8870-12-PC	Control Stop Standard w/ SS Hose Supply Kit	-	38.00
Z8808-XL-CR-LK-8870-12-PC	Control Stop Loose Key w/ SS Hose Supply Kit	-	39.00
Z8808-XL-CR-Q-8870-12-PC	Control Stop Quarter Turn w/ SS Hose Supply Kit	-	42.00
Z8808-XL-CR-LK-Q-8870-12-PC	Control Stop Loose Key Quarter Turn w/ SS Hose Supply Kit	-	43.00
<b>Z8809-XL Series Copper Sweat - Compression (1/2 SWT x 1/2 OD)</b>			
Z8809-XL-PC	Control Stop Standard	670240834262	29.00
Z8809-XL-LK-PC	Control Stop Loose Key	670240829541	31.00
Z8809-XL-CR-PC	Control Stop Standard w/ Copper Riser Supply Kit	-	44.00
Z8809-XL-CR-LK-PC	Control Stop Loose Key w/ Copper Riser Supply Kit	-	47.00
Z8809-XL-CR-8870-12-PC	Control Stop Standard w/ SS Hose Supply Kit	-	45.00
Z8809-XL-CR-LK-8870-12-PC	Control Stop Loose Key w/ SS Hose Supply Kit	-	49.00



SUFFIX	ADD	SUFFIX	ADD	SUFFIX	ADD		
-XL = Lead Compliant	-	-C1 = Standard Line Lock Shield	7.00	-3 = 3/8" IPS x 3" Nipple	21.00	-8860 = Braided Stainless Steel	-
-LR = Supply Kit Copper Risers	-	-CE = Cast Escutcheon	24.00	-3 = 1/2" IPS x 3" Nipple	27.00	-16 = 16" length	5.00
-LK = Loose Key	-	-D = Deep Steel Escutcheon	5.00	-5 = 3/8" IPS x 5" Nipple	30.00	-20 = 20" length	9.00
-Q = Quarter Turn	-	-PC = Polished Chrome	-	-5 = 1/2" IPS x 5" Nipple	39.00		

For additional product information, please visit [www.zurn.com](http://www.zurn.com).

When ordering parts, always list product number and description.

# HEAVY-DUTY CLOSET SUPPLY STOPS AND KITS

This section includes heavy-duty angle control stops and supply kits with wheel handle type, loose key type, and quarter turn options. Heavy-duty lavatory supply kits are provided with (1) 12" chrome plated copper riser tube with (1) chrome plated steel flange. There are also braided stainless steel hose supply kit options.

PRODUCT NUMBER	DESCRIPTION	UPC	LIST PRICE
<b>ZH8820-XL Series Pipe - Compression (3/8 IPS x 3/8 OD)</b>			
ZH8820-XL-PC	Control Stop Standard	670240813786	28.00
ZH8820-XL-LK-PC	Control Stop Loose Key	670240813762	35.00
ZH8820-XL-Q-PC	Control Stop Quarter Turn	670240813793	37.00
ZH8820-XL-LK-Q-PC	Control Stop Loose Key Quarter Turn	-	39.00
ZH8820-XL-CR-PC	Control Stop Standard w/ Copper Riser Supply Kit	670240930896	23.00
ZH8820-XL-CR-LK-PC	Control Stop Loose Key w/ Copper Riser Supply Kit	670240850842	43.00
ZH8820-XL-CR-Q-PC	Control Stop Quarter Turn w/ Copper Riser Supply Kit	-	45.00
ZH8820-XL-CR-LK-Q-PC	Control Stop Loose Key Quarter Turn w/ Copper Riser Supply Kit	-	48.00
ZH8820-XL-CR-8870-12-PC	Control Stop Standard w/ SS Hose Supply Kit	-	40.00
ZH8820-XL-CR-LK-8870-12-PC	Control Stop Loose Key w/ SS Hose Supply Kit	-	45.00
ZH8820-XL-CR-Q-8870-12-PC	Control Stop Quarter Turn w/ SS Hose Supply Kit	-	48.00
ZH8820-XL-CR-LK-Q-8870-12-PC	Control Stop Loose Key Quarter Turn w/ SS Hose Supply Kit	-	50.00
<b>ZH8822-XL Series Pipe - Compression (1/2 IPS x 3/8 OD)</b>			
ZH8822-XL-PC	Control Stop Standard	670240359017	30.00
ZH8822-XL-LK-PC	Control Stop Loose Key	670240359024	35.00
ZH8822-XL-Q-PC	Control Stop Quarter Turn	670240389915	38.00
ZH8822-XL-LK-Q-PC	Control Stop Loose Key Quarter Turn	-	43.00
ZH8822-XL-CR-PC	Control Stop Standard w/ Copper Riser Supply Kit	889934064643	27.00
ZH8822-XL-CR-LK-PC	Control Stop Loose Key w/ Copper Riser Supply Kit	670240930339	27.00
ZH8822-XL-CR-Q-PC	Control Stop Quarter Turn w/ Copper Riser Supply Kit	-	28.00
ZH8822-XL-CR-LK-Q-PC	Control Stop Loose Key Quarter Turn w/ Copper Riser Supply Kit	-	29.00
ZH8822-XL-CR-8870-12-PC	Control Stop Standard w/ SS Hose Supply Kit	-	25.00
ZH8822-XL-CR-LK-8870-12-PC	Control Stop Loose Key w/ SS Hose Supply Kit	-	28.00
ZH8822-XL-CR-Q-8870-12-PC	Control Stop Quarter Turn w/ SS Hose Supply Kit	-	29.00
ZH8822-XL-CR-LK-Q-88 70-12-PC	Control Stop Loose Key Quarter Turn w/ SS Hose Supply Kit	-	30.00
<b>ZH8823-XL Series Pipe - Compression (1/2 IPS x 1/2 OD)</b>			
ZH8823-XL-PC	Control Stop Standard	670240824713	33.00
ZH8823-XL-LK-PC	Control Stop Loose Key	670240824706	41.00
ZH8823-XL-CR-PC	Control Stop Standard w/ Copper Riser Supply Kit	-	57.00
ZH8823-XL-CR-LK-PC	Control Stop Loose Key w/ Copper Riser Supply Kit	-	58.00
ZH8823-XL-CR-8873-12-PC	Control Stop Standard w/ SS Hose Supply Kit	-	59.00
ZH8823-XL-CR-LK-8873-12-PC	Control Stop Loose Key w/ SS Hose Supply Kit	-	60.00



ZH8820-XL-CR-LK-PC



ZH8820-XL-CR-8870-12-PC

SUFFIX	ADD	SUFFIX	ADD	SUFFIX	ADD	SUFFIX	ADD
-XL = Lead Compliant	-	-C1 = Standard Line Lock Shield	7.00	-3 = 3/8" IPS x 3" Nipple	21.00	-8860 = Braided Stainless Steel	-
-LR = Supply Kit Copper Risers	-	-CE = Cast Escutcheon	24.00	-3 = 1/2" IPS x 3" Nipple	27.00	-16 = 16" length	5.00
-LK = Loose Key	-	-D = Deep Steel Escutcheon	5.00	-5 = 3/8" IPS x 5" Nipple	30.00	-20 = 20" length	9.00
-Q = Quarter Turn	-	-PC = Polished Chrome	-	-5 = 1/2" IPS x 5" Nipple	39.00		

When ordering parts, always list product number and description.

For additional product information, please visit [www.zurn.com](http://www.zurn.com).

PRODUCT NUMBER	DESCRIPTION	UPC	LIST PRICE
<b>ZH8824-XL Series Compression - Compression (1/2 NOM x 3/8 OD)</b>			
ZH8824-XL-PC	Control Stop Standard	670240359031	37.00
ZH8824-XL-LK-PC	Control Stop Loose Key	670240359048	42.00
ZH8824-XL-Q-PC	Control Stop Quarter Turn	670240389939	45.00
ZH8824-XL-LK-Q-PC	Control Stop Loose Key Quarter Turn	-	50.00
ZH8824-XL-CR-PC	Control Stop Standard w/ Copper Riser Supply Kit	670240816978	27.00
ZH8824-XL-CR-LK-PC	Control Stop Loose Key w/ Copper Riser Supply Kit	670240847187	52.00
ZH8824-XL-CR-Q-PC	Control Stop Quarter Turn w/ Copper Riser Supply Kit	670240941885	57.00
ZH8824-XL-CR-LK-Q-PC	Control Stop Loose Key Quarter Turn w/ Copper Riser Supply Kit	670240941878	58.00
ZH8824-XL-CR-8870-12-PC	Control Stop Standard w/ SS Hose Supply Kit	-	49.00
ZH8824-XL-CR-LK-8870-12-PC	Control Stop Loose Key w/ SS Hose Supply Kit	-	56.00
ZH8824-XL-CR-Q-8870-12-PC	Control Stop Quarter Turn w/ SS Hose Supply Kit	-	59.00
ZH8824-XL-CR-LK-Q-8870-12-PC	Control Stop Loose Key Quarter Turn w/ SS Hose Supply Kit	-	61.00
<b>ZH8825-XL Series Compression - Compression (1/2 IPS x 1/2 OD)</b>			
ZH8825-XL-PC	Control Stop Standard	889934065671	38.00
ZH8825-XL-LK-PC	Control Stop Loose Key	889934065688	43.00
ZH8825-XL-CR-PC	Control Stop Standard w/ Copper Riser Supply Kit	-	53.00
ZH8825-XL-CR-LK-PC	Control Stop Loose Key w/ Copper Riser Supply Kit	889934077490	58.00
ZH8825-XL-CR-8873-12-PC	Control Stop Standard w/ SS Hose Supply Kit	-	56.00
ZH8825-XL-CR-LK-8873-12-PC	Control Stop Loose Key w/ SS Hose Supply Kit	-	61.00
<b>ZH8826-XL Series Copper Sweat - Compression (1/2 SWT x 3/8 OD)</b>			
ZH8826-XL-PC	Control Stop Standard	670240813823	37.00
ZH8826-XL-LK-PC	Control Stop Loose Key	670240813809	41.00
ZH8826-XL-CR-PC	Control Stop Standard w/ Copper Riser Supply Kit	889934077391	58.00
ZH8826-XL-CR-LK-PC	Control Stop Loose Key w/ Copper Riser Supply Kit	889934063721	59.00
ZH8826-XL-CR-8870-12-PC	Control Stop Standard w/ SS Hose Supply Kit	-	59.00
ZH8826-XL-CR-LK-8870-12-PC	Control Stop Loose Key w/ SS Hose Supply Kit	-	66.00
<b>ZH8827-XL Series Copper Sweat - Compression (1/2 SWT x 3/8 OD)</b>			
ZH8827-XL-PC	Control Stop Standard	670240813816	49.00
ZH8827-XL-LK-PC	Control Stop Loose Key	670240813885	55.00
ZH8827-XL-CR-PC	Control Stop Standard w/ Copper Riser Supply Kit	-	31.00
ZH8827-XL-CR-LK-PC	Control Stop Loose Key w/ Copper Riser Supply Kit	670240850781	34.00
ZH8827-XL-CR-8870-12-PC	Control Stop Standard w/ SS Hose Supply Kit	-	66.00
ZH8827-XL-CR-LK-8870-12-PC	Control Stop Loose Key w/ SS Hose Supply Kit	-	66.00



SUFFIX	ADD	SUFFIX	ADD	SUFFIX	ADD	SUFFIX	ADD
-XL = Lead Compliant	-	-C1 = Standard Line Lock Shield	7.00	-3 = 3/8" IPS x 3" Nipple	21.00	-8860 = Braided Stainless Steel	-
-LR = Supply Kit Copper Risers	-	-CE = Cast Escutcheon	24.00	-3 = 1/2" IPS x 3" Nipple	27.00	-16 = 16" length	5.00
-LK = Loose Key	-	-D = Deep Steel Escutcheon	5.00	-5 = 3/8" IPS x 5" Nipple	30.00	-20 = 20" length	9.00
-Q = Quarter Turn	-	-PC = Polished Chrome	-	-5 = 1/2" IPS x 5" Nipple	39.00		

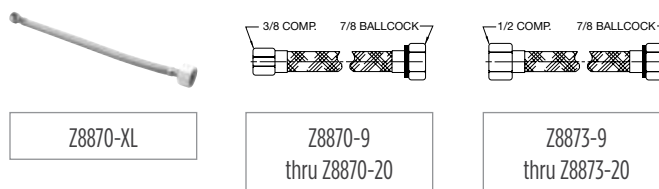
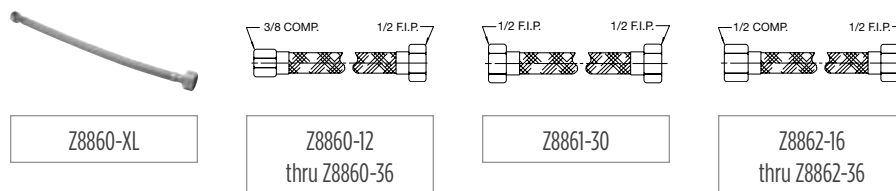
For additional product information, please visit [www.zurn.com](http://www.zurn.com).

When ordering parts, always list product number and description.

# BRAIDED STAINLESS STEEL SUPPLIES

EPDM tubing jacketed by type 304 stainless steel braid, stainless steel ferrule, and nickel-plated brass nuts. Max. temperature 180°F and max. pressure 125 psi.

PRODUCT NUMBER	LENGTH	MASTER CARTON QTY	WEIGHT CARTON	UPC	LIST PRICE
<b>LAVATORY/SINK SUPPLIES</b>					
<b>Z8860-XL Series Compression - Female Threaded Pipe (3/8 COMP x 1/2 FIP)</b>					
Z8860-XL-12-SS	12"	25	6	670240369924	10.00
Z8860-XL-36-SS	36"	25	9	670240369962	17.00
<b>Z8861-XL Series Female Threaded Pipe - Female Threaded Pipe (1/2 FIP x 1/2 FIP)</b>					
Z8861-XL-30-SS	30"	25	10	670240370005	26.00
<b>Z8862-XL Series Compression - Female Threaded Pipe (1/2 COMP x 1/2 FIP)</b>					
Z8862-XL-16-SS	16"	25	6	670240370036	12.00
Z8862-XL-20-SS	20"	25	6	670240370043	13.00
Z8862-XL-30-SS	30"	25	10	670240370050	17.00
Z8862-XL-36-SS	36"	25	10	670240370067	19.00
<b>CLOSET SUPPLIES</b>					
<b>Z8870-XL Series Compression - Ballcock Nut (3/8 COMP x 7/8 BALLCOCK NUT)</b>					
Z8870-XL-9-SS	9"	25	5	-	9.00
Z8870-XL-12-SS	12"	25	5	670240834231	12.00
Z8870-XL-20-SS	20"	25	5	-	13.00
<b>Z8873-XL Series Compression - Ballcock Nut (1/2 COMP x 7/8 BALLCOCK NUT)</b>					
Z8873-XL-9-SS	9"	25	5	-	10.00
Z8873-XL-12-SS	12"	25	5	-	12.00
Z8873-XL-20-SS	20"	25	5	-	14.00





# FLANGES AND NIPPLES

PRODUCT NO.	SIZE	MASTER CARTON QTY	WEIGHT CARTON	UPC	LIST PRICE
<b>FLANGES</b>					
Chrome-plated, cast brass flange with setscrew.					
Z8904-PC	3/4 IPS	100	20	084169619754	16.00
Z8905-PC	7/8 OD	100	20	084169619761	16.00
Z8906-PC	1 IPS	100	20	084169619778	17.00
Z8907-PC	1-1/4 IPS	50	12	084169619785	17.00
Z8908-PC	1-1/4 OD	50	12	084169619792	16.00
Z8909-PC	1-1/2 IPS	50	15	084169619808	17.00
Z8910-PC	1-1/2 OD	50	15	084169619815	16.00
Z8911-PC	2 IPS	50	15	084169619822	28.00
Z8912-PC	2 OD	50	15	084169619839	26.00
<b>NIPPLES</b>					
Chrome-plated, cast brass IPS nipples.					
Z8916-XL-115-PC	3/8 x 1-1/2	100	10	670240848054	8.00
Z8916-XL-6-PC	3/8 x 6	50	14	670240848085	21.00
Z8917-XL-4-PC	1/2 x 4	100	24	670240848078	17.00
Z8917-XL-6-PC	1/2 x 6	50	15	670240848047	25.00



Z8900-PC



Z89\_\_-\_\_-PC

# SEMI-CAST TRAPS

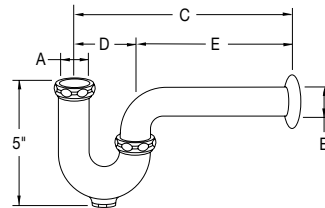
PRODUCT NO.	DIMENSIONS IN INCHES					GAUGE	MASTER CARTON QTY	WEIGHT CARTON	UPC	LIST PRICE
	A INLET	B OUTLET	C	D	E					
<b>P-TRAPS WITH WALL BEND</b>										
Chrome-plated, cast body P-trap with cleanout, tubular wall bend as specified, die-cast nuts, and shallow escutcheon with compression inlet.										
Z8700-PC	1-1/4	1-1/4	10	2-1/2	7-1/2	17	12	24	084169617101	49.00
Z8700B-PC-BA	1-1/4	1-1/4	15	2-1/2	12-1/2	17	18	40	670240489646	67.00
Z8701-PC	1-1/4	1-1/2	10-1/2	3	7-1/2	17	12	24	084169617323	55.00
Z8701-9-PC	1-1/4	1-1/2	12	3	9.00	17	12	24	084169617200	62.00
Z8701-15-PC	1-1/4	1-1/2	15	3	12.00	17	18	42	084169617132	69.00
Z8701B-PC-BA	1-1/4	1-1/2	15	3	12.00	17	18	42	670240489653	76.00
Z8701-9BBX-PC-BA	1-1/4	1-1/2	12	3	9.00	17	18	42	670240686892	85.00
Z8702-PC	1-1/2	1-1/2	12	3	9.00	17	12	24	084169617583	55.00
Z8702-9-PC	1-1/2	1-1/2	12	3	9.00	17	12	24	084169617460	62.00
Z8702-15-PC	1-1/2	1-1/2	12	3	9.00	17	18	42	084169617385	69.00
Z8702B-PC-BA	1-1/2	1-1/2	15	3	12.00	17	18	42	670240489691	76.00
Z8702-9BBX-PC-BA	1-1/2	1-1/2	12	3	9.00	17	18	42	670240686908	85.00
Z8703B-PC	1-1/2	2	12-1/2	4	9.00	17	6	18	670240536180	219.00
Z8704B-PC	2	2	12-1/2	4	9.00	17	6	18	084169617606	219.00



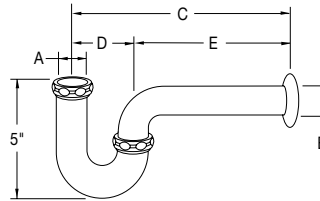
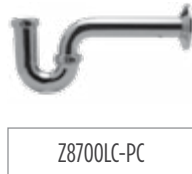
Z8700-PC



Z8702-PC



PRODUCT NO.	DIMENSIONS IN INCHES					GAUGE	MASTER CARTON QTY	WEIGHT CARTON	UPC	LIST PRICE	
	A INLET	B OUTLET	C	D	E						
<b>P-TRAPS WITH WALL BEND LESS CLEANOUT</b>											
Chrome-plated, cast body P-trap, tubular wall bend as specified, die-cast nuts, and shallow escutcheon with compression inlet.											
Z8700LC-PC	1-1/4	1-1/4	10	2-1/2	7-1/2	17	12	24	084169617095	49.00	
Z8701-9LC-PC	1-1/4	1-1/2	12	3	9	17	12	24	084169617194	59.00	
Z8702-9LC-PC	1-1/2	1-1/2	12	3	9	17	12	24	084169617453	59.00	
Z8701LCB-PC	1-1/4	1-1/2	10-1/2	3	7-1/2	17	12	23	084169617309	60.00	
Z8702LCB-PC	1-1/2	1-1/2	10-1/2	3	7-1/2	17	12	23	084169617569	60.00	
SUFFIX OPTIONS	DESCRIPTION									ADD	
-B	Brass Nuts (2)									7.00	
-BX	Box Escutcheon									5.00	
-CE	Cast Brass Escutcheon with Setscrew									13.00	
-D	Deep Escutcheon									4.00	
-J	Metal-to-Metal Ground Joint Connection									-	
-WC	Waste Connections – Per Piece									14.00	
-BA	TAA Compliant									-	
WALL BEND LENGTH OPTIONS										ADD	
-15	15" C Dim. 1-1/4" and 1-1/2" Only									1-1/4	13.00
										1-1/2	15.00
-18	18" C Dim. 1-1/4" and 1-1/2" Only									1-1/4	19.00
										1-1/2	21.00



PRODUCT NO.	DIMENSIONS IN INCHES					GAUGE	MASTER CARTON QTY	WEIGHT CARTON	UPC	LIST PRICE
	A INLET	B OUTLET	C	D	E					
<b>P-TRAPS WITH WALL BEND LESS CLEANOUT AND WITH CLEANOUT – TAMPER PROOF</b>										
Chrome-plated, cast body P-trap, tubular wall bend as specified, waste connections, brass nuts, and box escutcheon with compression inlet.										
<b>Less Cleanout</b>										
Z8701-9LCBWCBX-WC-PC	1-1/4	1-1/2	12	3	9	17	12	30	670240584501	98.00
Z8702-9LCBWCBX-WC-PC	1-1/2	1-1/2	12	3	9	17	12	30	670240537309	98.00
<b>With Cleanout</b>										
Z8701-9BWCBX-WC-PC	1-1/4	1-1/2	12	3	9.00	17	12	30	670240398535	98.00
Z8702-9BWCBX-WC-PC	1-1/2	1-1/2	12	3	9.00	17	12	30	670240399266	98.00

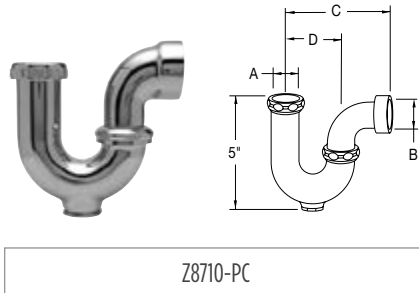


Z8701-9LCBWCBX-WC-PC

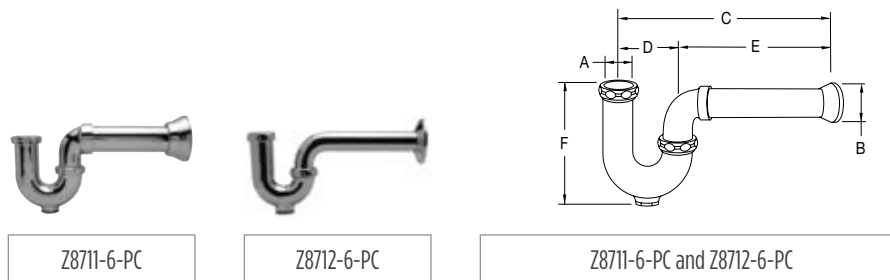


Z8701-9BWCBX-WC-PC

PRODUCT NO.	DIMENSIONS IN INCHES				GAUGE	MASTER CARTON QTY	WEIGHT CARTON	UPC	LIST PRICE
	A INLET	B OUTLET	C	D					
<b>SWIVEL P-TRAPS</b>									
Chrome-plated, cast brass body P-trap with cleanout, cast brass ground joint elbow, die-cast nuts, and I.P.S. outlet (Ft. Worth trap).									
Z8710-PC	1-1/4	1-1/4	4-1/4	2-1/2		15	24	084169617682	66.00
Z8711-PC	1-1/4	1-1/2	4-1/4	3		15	28	084169617743	73.00
Z8712-PC	1-1/2	1-1/2	4-1/4	3		15	27	084169617811	73.00
SUFFIX	DESCRIPTION								ADD
-B	Brass Nut								3.00



PRODUCT NO.	DIMENSIONS IN INCHES						GAUGE	MASTER CARTON QTY	WEIGHT CARTON	UPC	LIST PRICE
	A INLET	B OUTLET	C	D	E	F					
<b>ALL-CAST SWIVEL TRAPS WITH COPPER EXTENSION P-TRAP</b>											
Chrome-plated, cast brass swivel P-trap with ground joint cast elbow and 1-23/32 OD tubular extension for copper tubing with brass nuts and deep steel flange. (Ft. Worth trap for copper.)											
Z8711-6-PC	1-1/4	1-1/2	10	3	7.00	5	6	12	30	084169617699	95.00
Z8711-8-PC	1-1/4	1-1/2	12	3	9.00	5	8	6	20	670240601949	101.00
Z8711-12-PC	1-1/4	1-1/2	16	3	13.00	5	12	6	20	670240617261	110.00
Z8712-6-PC	1-1/2	1-1/2	10	3	7.00	5	6	12	30	084169673695	95.00
Z8712-8-PC	1-1/2	1-1/2	12	3	9.00	5	8	6	20	084169617798	101.00
Z8712-12-PC	1-1/2	1-1/2	16	3	13.00	5	12	6	20	670240548350	110.00



# TRAPS

PRODUCT NO.	GAUGE	SIZE/DESCRIPTION	MASTER CARTON QTY	UPC	LIST PRICE
-------------	-------	------------------	-------------------	-----	------------

## TUBULAR P-TRAPS

Available Options: -B, -BX, -CE, -D, -J  
 \*Not available with metal-to-metal ground joint.

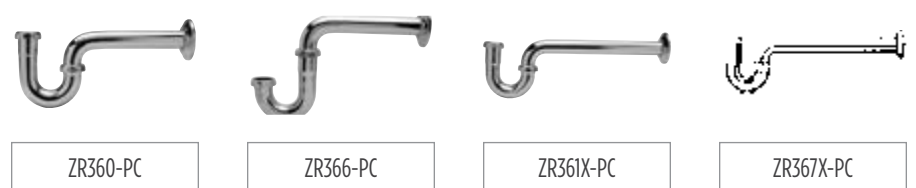
Less Cleanout					
ZR360-PC	20	1-1/4"	30	670240547018	32.00
ZR363-PC	20	1-1/2"	30	670240546530	37.00
ZR361-PC	17	1-1/4"	30	670240539655	40.00
ZR364-PC	17	1-1/2" x 1-1/4"	30	670240574618	47.00
ZR365-PC	17	1-1/2"	30	670240539662	45.00
With Cleanout					
ZR366-PC	20	1-1/4"	30	670240537293	51.00
ZR368-PC	20	1-1/2" x 1-1/4"	30	670240643604	56.00
ZR369-PC	20	1-1/2"	30	670240563711	56.00
ZR367-PC*	17	1-1/4"	30	670240541924	59.00
ZR370-PC	17	1-1/2" x 1-1/4"	30	670240572294	64.00
ZR370JBD-RB	17	1-1/2" x 1-1/4"	30	670240604445	69.00
ZR371-PC	17	1-1/2"	30	670240538788	64.00
ZR371JBD-RB	17	1-1/2"	30	670240610613	69.00
Z21-1-PC		Cleanout Plug	30	670240538047	11.00
Z21-3-NT		Washer for Cleanout	30	670240538054	4.00

## TUBULAR P-TRAPS – EXTRA LONG, 15" AND 18"

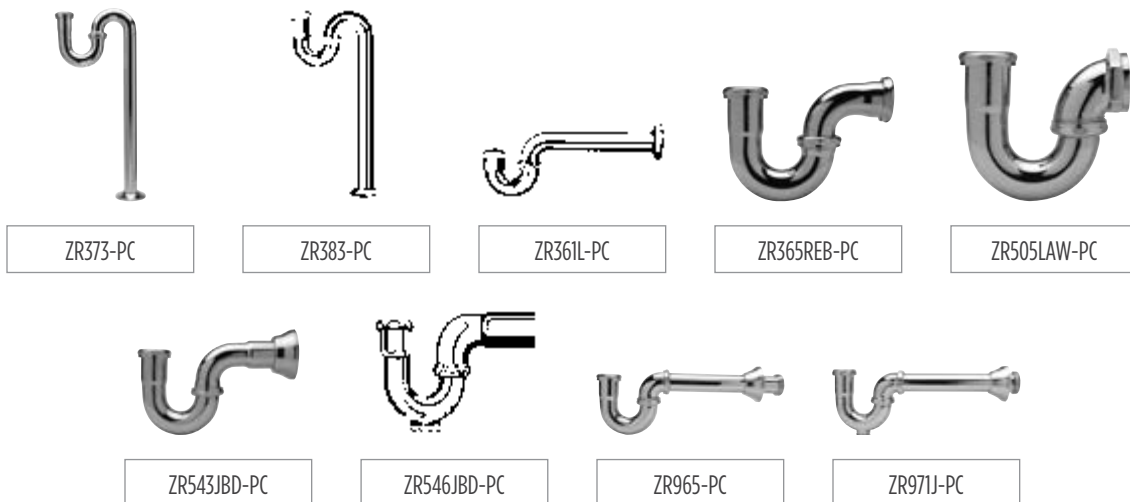
Available Options: -B, -BX, -CE, -D

Less Cleanout					
ZR361X-PC	17	1-1/4" x 15"	18	670240566613	51.00
ZR365X-PC	17	1-1/2" x 15"	18	670240548572	58.00
With Cleanout					
ZR367X-PC	17	1-1/4" x 15"	18	670240564008	63.00
ZR371X-PC	17	1-1/2" x 15"	18	670240534056	78.00

OPTIONS FOR TUBULAR P-TRAPS	DESCRIPTION	ADD
-B	Cast Brass Nuts	7.00
-BX	Box Escutcheon (P-Traps Only)	5.00
-CE	Cast Brass Escutcheon	13.00
-D	Deep Escutcheon	4.00
-J	Ground Joint (17-Gauge Only)	4.00



PRODUCT NO.	GAUGE	SIZE/DESCRIPTION	MASTER CARTON QTY	UPC	LIST PRICE
<b>TUBULAR S-TRAPS</b>					
Available Options: -B, -D					
<b>Less Cleanout</b>					
ZR373-PC	17	1-1/4"	15	670240546844	83.00
ZR377-PC	17	1-1/2"	15	670240546851	95.00
<b>With Cleanout</b>					
ZR383-PC	17	1-1/2"	15	670240545151	105.00
<b>LOW INLET P-TRAPS Less Cleanout</b>					
Available Options: -B, -D					
ZR361L-PC	17	1-1/4"	30	670240582729	56.00
ZR365L-PC	17	1-1/2"	30	670240582736	65.00
<b>REPAIR P-TRAPS AND P-BENDS</b>					
With Beaded Connection – Captive Brass Nut at Swivel. Available Options: -B					
ZR365REB-PC	17	1-1/2" w/Brass Nuts	36	670240575097	76.00
<b>LOS ANGELES CODE TRAPS</b>					
Cast Brass Hex Elbow, Ground Joint, Brass Nuts, 1-1/2" x 1-1/4" Reducing Washer					
ZR505LAW-PC	17	1-1/2"	36	670240550896	75.00
ZR510LAW-PC	17	1-1/2" x 1-1/4"	36	670240551893	75.00
<b>WASHINGTON D.C. TRAPS</b>					
With Captive Swivel Brass Nut with Long Elbow, Ground Joint, Deep Escutcheon					
<b>Less Cleanout</b>					
ZR543JBD-PC	17	1-1/2" x 1-1/4"	30	670240533349	75.00
<b>With Cleanout</b>					
ZR546JBD-PC	17	1-1/2"	30	670240627482	92.00
<b>MILWAUKEE P-TRAPS</b>					
With Captive Swivel Brass Nut and Deep Escutcheon. Available Options: -B, -J					
<b>Less Cleanout</b>					
ZR964-PC	17	1-1/2" x 1-1/4"	14	670240556027	140.00
ZR965-PC	17	1-1/2"	14	670240643628	140.00
<b>With Cleanout</b>					
ZR970J-PC	17	1-1/2" x 1-1/4" Ground Joint	14	670240541962	156.00
ZR971J-PC	17	1-1/2" Ground Joint	14	670240541979	156.00
OPTIONS	DESCRIPTION				ADD
-B	Cast Brass Nuts				7.00
-D	Deep Escutcheon				4.00
-J	Ground Joint (17-Gauge Only)				4.00



When ordering parts, always list product number and description.

For additional product information, please visit [www.zurn.com](http://www.zurn.com).

# SANITARY-DASH® PREMIUM LINE OF BASKET STRAINERS

PRODUCT NO.	DESCRIPTION	MASTER CARTON QTY	UPC	LIST PRICE
<b>STICK TYPE SS BASKET STRAINER</b>				
Stainless basket, neoprene stopper. Value-Line stainless steel, one-piece body.				
ZP100-SS	Less TP	50	670240535381	15.00
ZP100W-SS	With 4" Chrome TP	40	670240535398	17.00
<b>STICK TYPE SS BASKET STRAINER with CHROME-PLATED BRASS BODY</b>				
Stainless basket, neoprene stopper. With the "It Can't Skip" locknut.				
ZSS250-PC	Less TP	40	670240535411	45.00
ZSS250W-PC	With 4" Chrome TP	40	670240536319	34.00
<b>FOUR-PRONGE SS BASKET STRAINER CHROME-PLATED BRASS BODY – stainless basket.</b>				
Stainless basket, neoprene stopper. With the "It Can't Skip" locknut.				
ZTT461-PC	Less TP	40	670240535442	45.00
ZTT461W-PC	With 4" Chrome TP	40	670240535459	34.00
ZTT46-SS	Basket Assembly Only	48	670240542839	8.00
<b>STICK TYPE SS BASKET STRAINER with LONG SHANK</b>				
Stainless basket, neoprene stopper, locking shell, machine cut threads, deep pattern slip nut. Long shank for use on stainless steel, enameled steel and cast iron sinks.				
ZSS3000B-SS	Less TP	32	670240535428	44.00
ZSS3000W-SS	With 4" Chrome TP	32	670240535435	33.00
ZSS30-SS	Stick Type Basket Only	48	670240540866	9.00
OPTIONS	DESCRIPTION	ADD		
-B	Cast Brass Nut	7.00		
-BB	Cast Brass Locknut and Slip Nut	11.00		



ZP100-SS



ZSS250-PC



ZTT461-PC



ZSS3000B-SS

PRODUCT NO.	DESCRIPTION	MASTER CARTON QTY	UPC	LIST PRICE
<b>STAINLESS STEEL BASKET STRAINER</b>				
Stainless steel basket strainer with stainless steel stick type basket, stainless steel stopper, and stainless steel locking shell. Available Options: -B, -BB				
ZSS3500-SS	Less TP	32	670240399747	<b>60.00</b>
ZSS3500W-SS	With 4" Chrome TP	32	670240664197	<b>86.00</b>
<b>BRASS BODY BASKET STRAINER with spin and lock basket closure.</b>				
Available Options: -B				
ZSS300-PC	Less TP	40	670240563810	<b>38.00</b>
ZSS300W-PC	With 4" Chrome TP	40	670240400276	<b>41.00</b>
<b>STAINLESS STEEL MACHINE THREADED TAIL-PIPE BASKET STRAINER</b>				
All stainless steel body with machine-threaded TP. Stainless steel basket with ball locking closure. Fluted neoprene stopper. Deep pattern brass slip nut.				
ZP2000B-SS	Less TP	32	670240535404	<b>42.00</b>
ZP2000WB-SS	With 4" Chrome TP	32	670240400924	<b>47.00</b>
For cast brass locknut, show additional Suffix "B" – \$6.60.				
<b>STICK TYPE BASKET STRAINER with ALL STAINLESS STEEL BODY</b>				
Stainless basket, neoprene stopper. With the "It Can't Skip" locknut.				
Z8741LTLBN-SS	Less TP	40	-	<b>42.00</b>
OPTIONS	DESCRIPTION			ADD
-B	Cast Brass Nut			<b>7.00</b>
-BB	Cast Brass Locknut and Slip Nut			<b>11.00</b>



ZSS3500-SS



ZSS300-PC



ZP2000B-SS



Z8741LTLBN-SS



PRODUCT NO.	DESCRIPTION	MASTER CARTON QTY	UPC	LIST PRICE
<b>FLAT TOP SINK STRAINER 3"-3-1/2" OUTLET WITH REVERSIBLE LOCKNUT</b>				
For use on stainless steel and/or cast iron sinks.				
Z8739LTLBN-PC	Less TPC	24	670240545144	50.00
Z8739LBN-PC	With TPC	24	670240556010	50.00
<b>DUPLEX SINK STRAINER 2"-2-1/2" OUTLET</b>				
Z8737LTLBN-PC	Less TPC	48	670240545366	13.00
Z8737LBN-PC	With TPC	24	670240547179	17.00
<b>JR. 2" BASKET STRAINER</b>				
All stainless steel; crumb-cup style.				
ZR426B-SS	Less TPC	34	670240552890	20.00
ZR426WB-SS	With TPC	24	670240582521	26.00
<b>ACCESSORIES</b>				
Z30-2-RB	1-1/2" Locknut (Zamac)		670240404687	7.00
Z30-2B-RB	1-1/2" Locknut (Cast Brass)		670240572287	8.00
Z54-3-NT	Thick (9/32") Rubber Washer for ZSS250 - ZTT461		670240543652	5.00
Z54-5-NT	Thin (1/16") Rubber Washer		670240552074	5.00
Z54-6-NT	"Sure-Fit" Coupling Nut Washer		670240539792	3.00
Z54-40-NT	Friction Washer (Cardboard) - 2"		670240598317	3.00



Z8739LTLBN-PC

Z8737LTLBN-PC

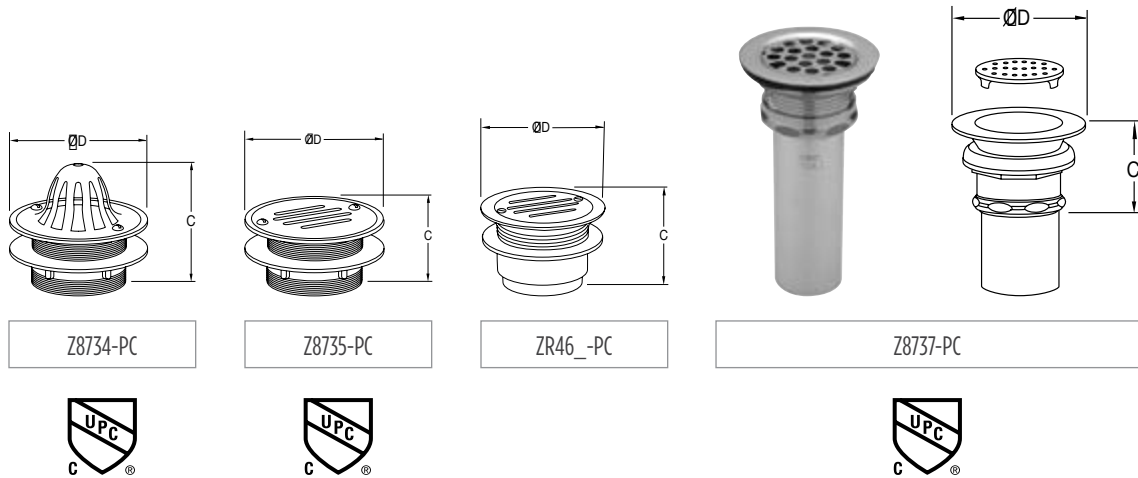
ZR426B-SS

ZR426B-SS

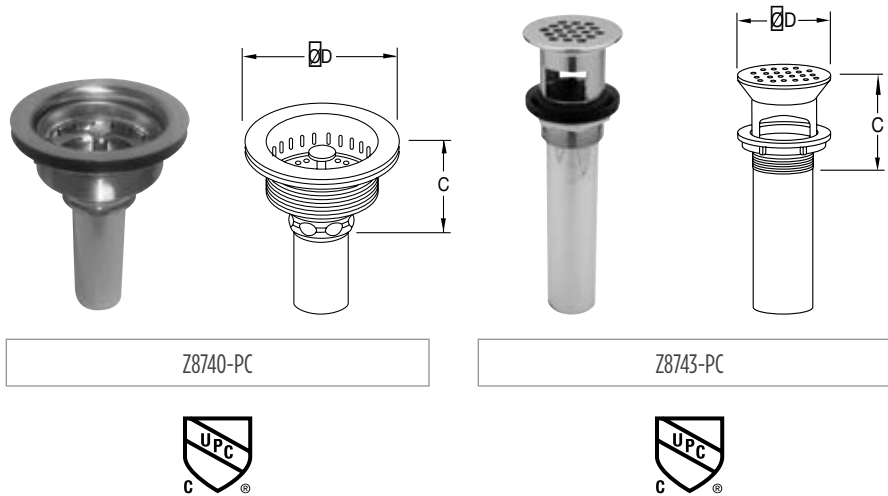
ZR426B-SS

# STRAINERS, P.O. PLUGS, AND OFFSETS

PRODUCT NO.	DESCRIPTION	DIMENSIONS IN INCHES		MASTER CARTON QTY	WEIGHT CARTON	UPC	LIST PRICE
		C	D				
<b>BEEHIVE URINAL STRAINERS</b>							
Chrome-plated, cast brass strainer for 2" lead caulk, iron or soil pipe. Available with vandal-resistant screws.							
Z8734-PC	Strainer	3-1/2	4-1/2	16	26.00	084169617972	80.00
<b>FLAT GRID URINAL STRAINERS</b>							
Cast brass strainer for 2" lead caulk, iron or soil pipe. Available with vandal-resistant screws.							
Z8735-PC	Strainer	2	4-1/4	24	35.00	084169617996	70.00
<b>FLAT GRID FIPS URINAL STRAINERS</b>							
Cast brass strainer for 2" and 3" female IPS connections.							
ZR461-PC	2" IPS	2-1/4 to 3-1/2	4-1/2	24	44.00	670240540880	93.00
ZR464-PC	3" IPS	2-1/4 to 3-1/2	4-1/2	24	48.00	670240540897	106.00
<b>FLAT GRID SINK STRAINERS</b>							
Chrome-plated wrought brass sink strainer with 1-1/2" x 4" 20-gauge tailpiece, and cast brass lock and coupling nuts for sink depth up to 3/4".							
Z8737-PC		1-3/4	2-15/16	24	20.00	084169618023	32.00
<b>WIDE TOP SINK STRAINERS</b>							
Chrome-plated wrot brass sink strainers with 4" wide top and 1-1/2" x 4" 20-gauge tailpiece and cast brass lock and coupling nuts for sink depth to 3/4".							
Z8739-PC		1-3/4	4-1/2	24	25.00	084169618054	52.00



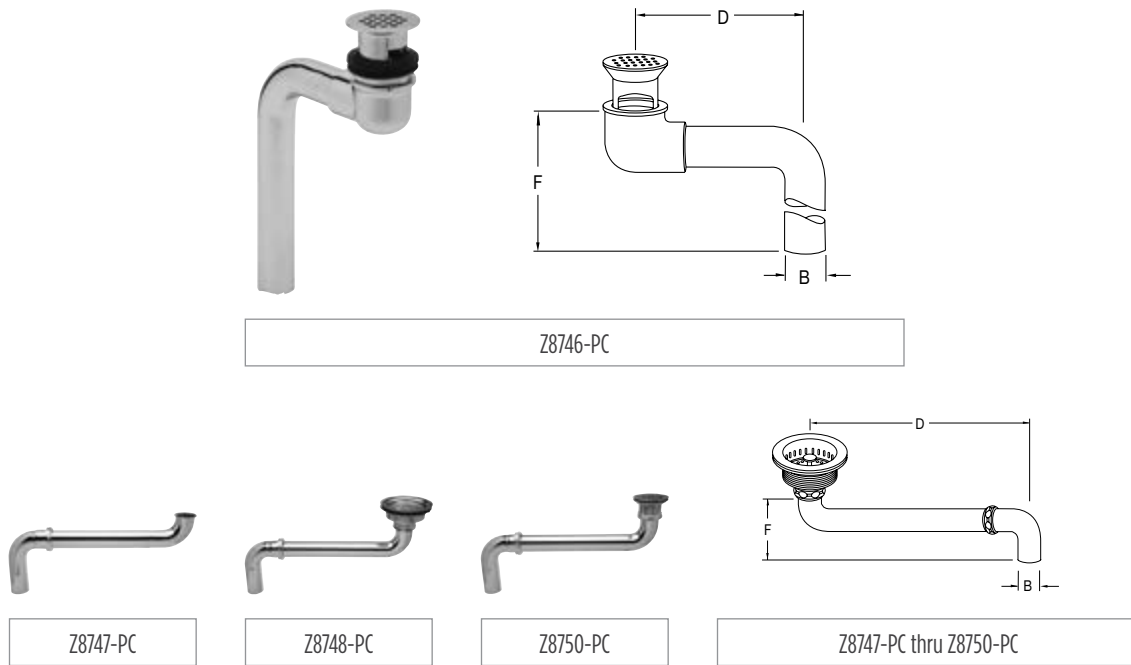
PRODUCT NO.	DESCRIPTION	DIMENSIONS IN INCHES		MASTER CARTON QTY	WEIGHT CARTON	UPC	LIST PRICE
		C	D				
<b>HEAVY-DUTY BASKET STRAINERS</b>							
Chrome-plated, heavy-duty basket strainer with matching basket, 1-1/2" x 4" 20-gauge tailpiece, and cast brass lock and coupling nuts.							
Z8740-PC	Brass	2-1/8	4-1/2	16	28.00	084169618061	55.00
Z8741-SS	Stainless Steel	2-3/4	4-3/8	16	24.00	084169618078	43.00
<b>SOLID TOP, OPEN-GRID P.O. PLUGS</b>							
Cast brass solid-top, open-grid, P.O. plug with 5" 17-gauge tailpiece and cast brass locknut for sink depth up to 2-1/4". 6-, 8-, and 12-inch tailpieces available.							
Z8743-PC	1-1/4"	2-9/16	2-1/4	50	50.00	084169618207	32.00
Z8743-PC-BA	1-1/4"	2-9/16	2-1/4	50	50.00	670240486454	47.00
Z8743-1-PC	1-1/2"	2-9/16	2-1/4	30	30.00	084169618160	45.00
Z8743NOF-PC	1-1/4" No Overflow	2-9/16	2-1/4	30	30.00	084169668264	39.00
<b>SOLID TOP, OPEN-GRID P.O. PLUGS OPTIONS</b>							
OPTION	DESCRIPTION	ADD					
-6	With 6" Tailpiece	8.00					
-8	With 8" Tailpiece	10.00					
-12	With 12" Tailpiece	14.00					
-BA	TAA Compliant	-					



PRODUCT NO.	DESCRIPTION	DIMENSIONS IN INCHES			MASTER CARTON QTY	WEIGHT CARTON	UPC	LIST PRICE
		B OUTLET	D	F				
<b>OFFSET LAVATORY STRAINERS, ADA COMPLIANT</b>								
Cast brass body with cast brass open grid drain strainer, cast brass elbow, and 1-1/4" 17-gauge tubular brass offset tailpiece for sink depth to 2-1/2".								
Z8746-PC		1-1/4	5-1/8	8-3/4	24.00	40	084169618290	<b>49.00</b>
Z8746-PC-BA		1-1/4	5-1/8	8-3/4	24.00	40	670240486461	<b>62.00</b>
Z8746NOF-PC		1-1/4 (No Overflow)	5-1/8	8-3/4	18.00	30	084169668271	<b>70.00</b>

<b>OPTIONS for OFFSET LAVATORY STRAINERS, ADA COMPLIANT</b>								
OPTION	DESCRIPTION						ADD	
-BA	TAA Compliant						-	

<b>OFFSET SINK STRAINERS, ADA COMPLIANT</b>								
Cast brass body with up to 11" 17-gauge offset for wheelchair use of most 6" or 7" sinks. Fits most 1-1/2" direct connect sink strainers. With brass nuts.								
Z8747-PC	No - Offset Only	1-1/2	12-3/4	6-1/4	10.00	12	084169618306	<b>118.00</b>
Z8748-PC	Brass - Z8740	1-1/2	12-3/4	6-1/4	10.00	22	084169618313	<b>154.00</b>
Z8749-SS	Stainless Steel - Z8741	1-1/2	12-3/4	6-1/4	10.00	22	084169618320	<b>147.00</b>
Z8750-PC	Brass Flat Grid - Z8737	1-1/2	12-3/4	6-1/4	10.00	22	084169618337	<b>138.00</b>
Z8750A-PC	Brass Flat Grid - Z8739	1-1/2	12-3/4	6-1/4	10.00	22	670240632424	<b>150.00</b>

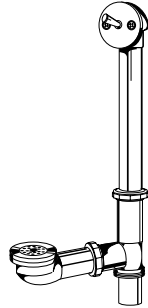


# OVERFLOWS

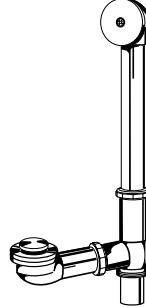
PRODUCT NO.	GAUGE	SIZE/DESCRIPTION	MASTER CARTON QTY	UPC	LIST PRICE
<b>BRASS WASTE AND OVERFLOWS With Chain and Stopper</b>					
Available Options: -B					
ZR465-SC	22	1-3/8" x 14"	10	670240546868	102.00
<b>BRASS TRIP LEVER WASTES Plunger Type</b>					
Available Options: -CA					
Z8771-RB	17	1-1/2" x 14" w/Brass Nuts	10	084169618474	114.00
Z8772-RB	17	1-1/2" x 22" w/Brass Nuts	7	084169618481	158.00
<b>BRASS POP-UP FOOT ACTIVATED</b>					
Z8776-RB	20	1-1/2" x 14"	10	-	126.00
<b>LIFT AND TURN WASTES</b>					
Available Options: -CA					
Z8770-RB	17	1-1/2" x 14"-16" w/Brass Nuts	10	084169618467	116.00
OPTIONS	DESCRIPTION				ADD
-B	(3) Brass Nuts				7.00
-CA	California Code				-



ZR465-SC



Z8771-RB



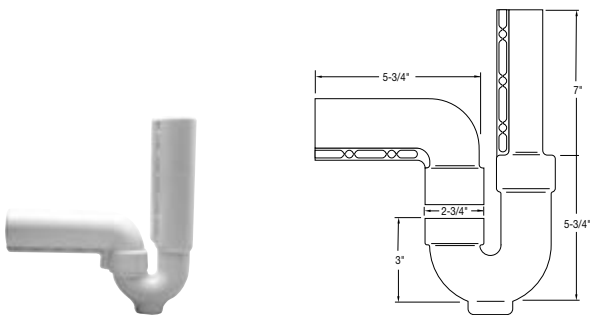
Z8776-RB



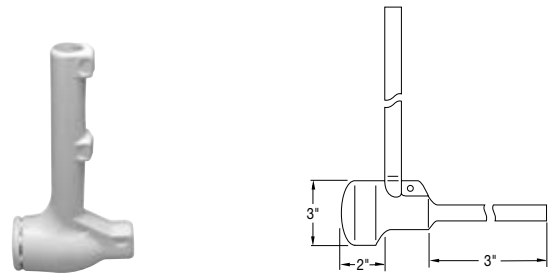
Z8770-RB

# TRAP, STOP, AND SUPPLY PROTECTORS

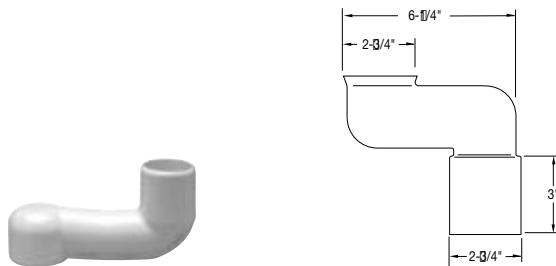
PRODUCT NUMBER	DESCRIPTION	MASTER CARTON QTY	WEIGHT CARTON	UPC	LIST PRICE
<b>INSUL-GUARD™ RetroFit Kits</b>					
Protectors, satin white PVC resin, with a 3/8" nominal wall and vandal-resistant clip feature. Resists thermal transfer and are ADA compliant.					
Z8943-NT	Trap Protector	15	9	084169620194	67.00
Z8944-NT	Supply Protector	15	5	084169620200	49.00
Z8945-NT	Offset Drain Protector	15	4	084169620217	49.00
Z8946-NT	Combination Kit: One Trap and One Supply Protector	15	12	084169673664	104.00
Z8946-1-NT	Combination Kit: One Trap and Two Supply Protectors	15	15	084169620224	131.00
Z8946-3-NT	Combination Kit: One Trap Protector, Two Supply Protectors, and One Offset Drain Protector	15	15	084169620248	165.00
<b>PRE-WRAPPED CAST BODY P-TRAPS WITH TUBULAR WALL BEND</b>					
Z8995-1-PC	1-1/4" x 1-1/4" P-Trap Assembly	6	30	670240633322	212.00
Z8996-1-PC	1-1/4" x 1-1/2", 1-1/2" x 1-1/2" P-Trap Assembly	6	36	670240633346	219.00
<b>PRE-WRAPPED CAST BODY P-TRAPS WITH LAVATORY OFFSET ASSEMBLY</b>					
Z8995-3-PC	1-1/4" x 1-1/4" P-Trap with Lavatory Offset Assembly	6	42	670240633339	315.00
Z8996-3-PC	1-1/4" x 1-1/2", 1-1/2" x 1-1/2" P-Trap with Lavatory Offset Assembly	6	42	670240633353	322.00



Z8943-NT



Z8944-NT



Z8945-NT



Z8995-1-PC

Z8995-3-PC



# FIXTURES

## SUNDARA™ HANDWASHING SYSTEM

SUNDARA HANDWASHING SYSTEMS	136
SOLID SURFACE CARRIERS	136

## FLUSH VALVE TOILETS

1.1 GPF OR GREATER, ELONGATED, WALL HUNG FLUSH VALVE TOILET	137
1.28 GPF OR GREATER, CONCEALED, ELONGATED, WALL HUNG FLUSH VALVE TOILET	137
1.6 GPF, BACK OUTLET, FLOOR MOUNTED FLUSH VALVE TOILET	137
1.6 GPF, ADA HEIGHT, BACK OUTLET, FLOOR MOUNTED FLUSH VALVE TOILET	137
1.28 GPF OR GREATER, BACK OUTLET, FLOOR MOUNTED FLUSH VALVE TOILET	137
1.28 GPF OR GREATER, ADA HEIGHT, BACK OUTLET, FLOOR MOUNTED FLUSH VALVE TOILET	137
1.1 GPF OR GREATER, ELONGATED, FLOOR MOUNTED FLUSH VALVE TOILET	138
1.28 GPF OR GREATER, 14" HEIGHT, ELONGATED, FLOOR MOUNTED FLUSH VALVE TOILET	138
1.1 GPF OR GREATER, ADA HEIGHT, ELONGATED, FLOOR MOUNTED FLUSH VALVE TOILET	138
CHILDREN'S ROUND FLOOR MOUNTED FLUSH VALVE TOILET	138
1.6 GPF, HEAVY-DUTY BARIATRIC, ANTIMICROBIAL POWDER COATED	138
1.6 GPF, EXTRA-HEAVY-DUTY BARIATRIC, ANTIMICROBIAL POWDER COATED	138

## TWO-PIECE TOILETS

1.28 GPF, ELONGATED, HIGH EFFICIENCY SIPHON JET TOILET	139
1.6 GPF, ELONGATED, HIGH PERFORMANCE, SIPHON JET TOILET	139
1.6 PGF, ELONGATED, SIPHON JET TWO-PIECE TOILET	139
1.6 PGF, ROUND, SIPHON JET TWO-PIECE TOILET	139
1.6 GPF, ADA HEIGHT, ELONGATED, SIPHON JET TWO-PIECE TOILET	139

## TWO PIECE, PRESSURE ASSIST TOILET

1.0 GPF, HIGH EFFICIENCY, ELONGATED PRESSURE ASSIST TOILET	140
1.6 GPF, ELONGATED PRESSURE ASSIST TOILET	140
DUAL FLUSH 1.6/1.0 GPF, HIGH EFFICIENCY, ELONGATED PRESSURE ASSIST TOILET	140
PRESSURE ASSIST TOILET OPTION ADDERS	140
PRESSURE ASSIST REPLACEMENT TANK KIT	140

## URINALS

0.125 GPF, ULTRA LOW CONSUMPTION URINAL	141
1.0 GPF, SIPHON JET URINAL	141
0.125 GPF TO 1.0 GPF, OMNI-FLO® URINAL	141
WATER FREE URINAL	141

## WALL HUNG LAVATORIES

19" X 17" WALL HUNG LAVATORIES	142
20" X 18" WALL HUNG LAVATORIES	142
23" X 20-1/4" WHEELCHAIR LAVATORY	142

## COUNTERTOP AND UNDERMOUNT LAVATORIES

20" X 17" SELF-RIMMING COUNTERTOP LAVATORIES	143
19" ROUND SELF-RIMMING COUNTERTOP LAVATORIES	143
19" X 16" UNDERMOUNT LAVATORIES	143

## CAST IRON LAVATORIES

20" X 17" SELF-RIMMING ENAMELED CAST IRON LAVATORY	143
19" ROUND SELF-RIMMING ENAMELED CAST IRON LAVATORY	143
19" X 17" ENAMELED CAST IRON WALL HUNG LAVATORY	143
20" X 18" ENAMELED CAST IRON WALL HUNG LAVATORY	143

## HOSPITAL AND INSTITUTIONAL FIXTURES

WALL MOUNT, BLOWOUT SERVICE SINK	144
FLOOR MOUNTED, SIPHON JET SERVICE SINK	144
28" X 22" SURGEON SINK	144

## SPECIALTY FIXTURES

CUSTODIAL FLOOR SINK	144
SERVICE SINK	144
CAST IRON TRAP STANDARD FOR SERVICE SINKS	144

## TOILET SEATS

TOILET SEATS	145
--------------	-----

## MISCELLANEOUS PARTS

TOILETS	146
URINALS	146
LAVATORIES	146
OTHER	147



# SUNDARA™ HANDWASHING SYSTEM

PART NUMBER	CONFIGURATION	FULL SUNDARA SYSTEM				SYSTEM PRICING WITHOUT SOAP				
		LIST PRICE (POLISHED CHROME)	LIST PRICE (POLISHED NICKEL) (-PN)	LIST PRICE (BRUSHED NICKEL) (-BN)	LIST PRICE (POLISHED BRASS) (-PB)	LIST PRICE (POLISHED CHROME)	LIST PRICE (POLISHED NICKEL) (-PN)	LIST PRICE (BRUSHED NICKEL) (-BN)	LIST PRICE (POLISHED BRASS) (-PB)	
<b>Sundara Handwashing Systems</b>										
Z5001.01	Reef Single - Z6950 Serio faucet and soap dispenser	6,323.00	6,512.00	6,639.00	6,639.00	5,364.00	5,525.00	5,632.00	5,632.00	
Z5001.02	Reef Double - Z6950 Serio faucets and soap dispensers	12,430.00	12,803.00	13,052.00	13,052.00	10,513.00	10,829.00	11,038.00	11,038.00	
Z5001.03	Reef Triple - Z6950 Serio faucets and soap dispensers	17,074.00	17,585.00	17,927.00	17,927.00	14,198.00	14,623.00	14,905.00	14,905.00	
Z5001.01	Reef Single - Z6951 Fulmer faucet and soap dispenser	6,671.00	6,870.00	7,004.00	7,004.00	5,689.00	5,859.00	5,973.00	5,973.00	
Z5001.02	Reef Double - Z6951 Fulmer faucets and soap dispensers	13,312.00	13,712.00	13,977.00	13,977.00	11,348.00	11,688.00	11,915.00	11,915.00	
Z5001.03	Reef Triple - Z6951 Fulmer faucets and soap dispensers	19,133.00	19,707.00	20,090.00	20,090.00	16,188.00	16,672.00	16,995.00	16,995.00	
Z5002.01	Float Single - Z6950 Serio faucet and soap dispenser	7,386.00	7,607.00	7,755.00	7,755.00	6,427.00	6,620.00	6,748.00	6,748.00	
Z5002.02	Float Double - Z6950 Serio faucets and soap dispensers	14,583.00	15,021.00	15,312.00	15,312.00	12,666.00	13,046.00	13,298.00	13,298.00	
Z5002.03	Float Triple - Z6950 Serio faucets and soap dispensers	20,348.00	20,959.00	21,366.00	21,366.00	17,472.00	17,996.00	18,344.00	18,344.00	
Z5002.01	Float Single - Z6951 Fulmer faucet and soap dispenser	7,733.00	7,966.00	8,121.00	8,121.00	6,751.00	6,954.00	7,089.00	7,089.00	
Z5002.02	Float Double - Z6951 Fulmer faucets and soap dispensers	15,737.00	16,210.00	16,524.00	16,524.00	13,774.00	14,186.00	14,461.00	14,461.00	
Z5002.03	Float Triple - Z6951 Fulmer faucets and soap dispensers	21,894.00	22,550.00	22,988.00	22,988.00	18,948.00	19,516.00	19,894.00	19,894.00	
Z5003.01	Drift Single - Z6957 Nachi faucet and soap dispenser	6,323.00	6,512.00	6,639.00	6,639.00	5,399.00	5,561.00	5,669.00	5,669.00	
Z5003.02	Drift Double - Z6957 Nachi faucets and soap dispensers	12,611.00	12,989.00	13,241.00	13,241.00	10,763.00	11,086.00	11,301.00	11,301.00	
Z5003.03	Drift Triple - Z6957 Nachi faucets and soap dispensers	17,038.00	17,550.00	17,890.00	17,890.00	14,266.00	14,694.00	14,979.00	14,979.00	
PART NUMBER	CONFIGURATION	LIST PRICE								
<b>Solid Surface Carriers</b>										
Z1240-EZR	Dura-Coated Carrier System for Reef and Drift Handwashing Systems									1,898.00
Z1240-EZR-WL	Dura-Coated Carrier System for Reef and Drift Handwashing Systems With Waste Line Sleeve									2,228.00
Z1241-EZR	Dura-Coated Carrier System for Float Handwashing Systems									1,898.00
Z1241-EZR-WL	Dura-Coated Carrier System for Float Handwashing Systems With Waste Line Sleeve									2,228.00



Reef Single



Reef Double



Float Single



Float Double



Drift Single



Drift Double

# FLUSH VALVE TOILETS

PRODUCT NO.	DESCRIPTION	WEIGHT (LBS.)	UPC	LIST PRICE
<b>1.1 gpf or Greater, Elongated, Wall Hung Flush Valve Toilet</b>				
Z5615-BWL	1-1/2" Top Spud. Vitreous china, 1.1 gpf [4.2 Lpf] or greater, high efficiency wall hung toilet with siphon jet flush action and elongated front rim. Seat not included.	40	670240405783	301.00
Z5615-BWL-AM	1-1/2" Top Spud. Vitreous china, 1.1 gpf [4.2 Lpf] or greater, high efficiency wall hung toilet with siphon jet flushing action, elongated front rim and SilverShield antimicrobial glaze. Seat not included.	40	670240793088	303.00
Z5616-BWL	1-1/2" Top Spud and Bedpan Lugs. Vitreous china, 1.28 gpf [4.8 Lpf] or greater, high efficiency wall hung toilet with siphon jet flush action and elongated front rim with integral bedpan lugs, and SilverShield antimicrobial glaze. Seat not included.	40	670240421851	365.00
<b>1.28 gpf or Greater, Concealed, Elongated, Wall Hung Flush Valve Toilet</b>				
Z5617-BWL	1-1/2" Back Spud and Bedpan Lugs. Vitreous china, 1.28 gpf [4.8 Lpf] or greater, high efficiency wall hung toilet with siphon jet flush action and elongated front rim with bedpan lugs to accommodate a bedpan, and SilverShield antimicrobial glaze. Seat not included.	50	670240407329	301.00
<b>1.6 gpf, Back Outlet, Floor Mounted Flush Valve Toilet</b>				
Z5630	1-1/2" Top Spud. Vitreous china, elongated front rim, 1.6 gpf [6 Lpf] low consumption, floor mounted, back outlet flush valve toilet.	55	670240609501	869.00
Z5631	1-1/2" Top Spud and Bedpan Lugs. Vitreous china, 1.6 gpf [6 Lpf] low consumption, floor mounted, back outlet flush valve toilet, top spud and elongated front rim with bedpan lugs to accommodate a bedpan.	55	670240659483	869.00
<b>1.6 gpf, ADA Height, Back Outlet, Floor Mounted Flush Valve Toilet</b>				
ⓐ Z5640	1-1/2" Top Spud. Vitreous china, 1.6 gpf [6 Lpf] low consumption, elongated, siphon-action, floor mounted, flush valve toilet.	57	670240609518	923.00
ⓐ Z5641	1-1/2" Top Spud and Bedpan Lugs. Vitreous china, 1.6 gpf [6 Lpf] low consumption, siphon jet action, ADA height floor mounted, back outlet flush valve toilet, elongated front rim with bedpan lugs to accommodate a bedpan.	57	670240662025	953.00
<b>1.28 gpf or Greater, Back Outlet, Floor Mounted Flush Valve Toilet</b>				
Z5635-BWL	1-1/2" Top Spud. Vitreous China, 1.28 gpf [4.8 Lpf] or greater, high efficiency floor mounted, back outlet toilet with siphon jet flushing action and elongated front rim, and SilverShield antimicrobial glaze. Seat not included.	55	670240796980	869.00
Z5637-BWL	1-1/2" Back Spud. Vitreous China, 1.28 gpf [4.8 Lpf] or greater, high efficiency floor mounted, back outlet toilet with siphon jet flushing action and elongated front rim, and SilverShield antimicrobial glaze. Seat not included.	55	670240796997	869.00
<b>1.28 gpf or Greater, ADA Height, Back Outlet, Floor Mounted Flush Valve Toilet</b>				
ⓐ Z5645-BWL	1-1/2" Top Spud. Vitreous China, 1.28 gpf [4.8 Lpf] or greater, high efficiency floor mounted, back outlet toilet with siphon jet flushing action and elongated front rim, and SilverShield antimicrobial glaze. Seat not included. ADA compliant.	57	670240693296	923.00
ⓐ Z5646-BWL	1-1/2" Top Spud and Bedpan Lugs. Vitreous China, 1.28 gpf [4.8 Lpf] or greater, high efficiency floor mounted, back outlet toilet with siphon jet flushing action and elongated front rim with bedpan lugs to accommodate a bedpan, and SilverShield antimicrobial glaze. Seat not included. ADA compliant.	57	670240693326	986.00
ⓐ Z5647-BWL	1-1/2" Back Spud. Vitreous China, 1.28 gpf [4.8 Lpf] or greater, high efficiency floor mounted, back outlet toilet with siphon jet flushing action and elongated front rim, and SilverShield antimicrobial glaze. Seat not included. ADA compliant.	57	670240693333	999.00



Z5615-BWL



Z5617-BWL



Z5630 and Z5640



Z5635-BWL



Z5645-BWL

PRODUCT NUMBER	DESCRIPTION	WEIGHT (LBS.)	UPC	LIST PRICE
<b>1.1 gpf or Greater, Elongated, Floor Mounted Flush Valve Toilet</b>				
Z5655-BWL1	1-1/2" Top Spud. Vitreous china, 1.1 gpf [4.2 Lpf] or greater low consumption, floor mounted toilet with siphon jet flush action and elongated front rim, and two bolt caps. Seat not included.	51	889934075069	288.00
Z5655-BWL-BA-AM	1-1/2" Top Spud. Vitreous China, 1.28 gpf [4.8 Lpf] or greater, high efficiency floor mounted toilet with siphon jet flushing action and elongated front rim, and SilverShield antimicrobial glaze. Seat not included.	51	670240813922	290.00
Z5655.395.00.00.00	EcoVantage® Paired Performance System - Combines the Z5655-BWL1 with a 1.1 gpf ZTR battery flush valve, this system has been tested to ensure the highest level of performance for commercial applications. Seat not included		-	1,569.00
Z5655.396.00.00.00	EcoVantage® Paired Performance System - Combines the Z5655-BWL1 with a 1.1 gpf ZTR long-life battery flush valve, this system has been tested to ensure the highest level of performance for commercial applications. Seat not included.		-	1,721.00
Z5656-BWL-AM	1-1/2" Top Spud and Bedpan Lugs. Vitreous china, 1.28 gpf [4.8 Lpf] or greater, high efficiency floor mounted toilet with siphon jet flush action, elongated front rim designed to accommodate a bedpan, and two bolt caps, and SilverShield antimicrobial glaze. Seat not included.	51	670240810280	515.00
Z5657-BWL-AM	1-1/2" Back Spud. Vitreous china, 1.28 gpf [4.8 Lpf] low consumption, floor mounted toilet with siphon jet flush action and elongated front rim, and two bolt caps, and SilverShield antimicrobial glaze. Seat not included.	51	670240813939	382.00
<b>1.28 gpf or Greater, 14" Height, Elongated, Floor Mounted Flush Valve Toilet</b>				
Z5654-BWL-BA-AM	Vitreous China, 1.28 gpf [4.8 Lpf] or greater, high efficiency floor mounted, youth height toilet with siphon jet flushing action and elongated front rim with 1-1/2" top spud and SilverShield antimicrobial glaze. Seat not included.	51	889934074819	365.00
<b>1.1 gpf or Greater, ADA Height, Elongated, Floor Mounted Flush Valve Toilet</b>				
ⓐ Z5665-BWL1	1-1/2" Top Spud. Vitreous china, 1.1 gpf [4.2 Lpf] or greater high efficiency floor mounted bottom outlet toilet with siphon jet flushing action and elongated front rim. Seat not included. ADA compliant.	57	889934075076	350.00
ⓐ Z5665-BWL-BA-AM	1-1/2" Top Spud. Vitreous China, 1.28 gpf [4.8 Lpf] or, greater high efficiency floor mounted toilet with siphon jet flushing action and elongated front rim, SilverShield antimicrobial glaze. Seat not included.	57	670240813946	350.00
ⓐ Z5665.395.00.00.00	EcoVantage® Paired Performance System - Combines the Z5665-BWL1 with a 1.1 gpf ZTR battery flush valve, this system has been tested to ensure the highest level of performance for commercial applications. Seat not included		-	1,632.00
ⓐ Z5665.396.00.00.00	EcoVantage® Paired Performance System - Combines the Z5665-BWL1 with a 1.1 gpf ZTR long-life battery flush valve, this system has been tested to ensure the highest level of performance for commercial applications. Seat not included.		-	1,721.00
ⓐ Z5666-BWL-AM	1-1/2" Top Spud and Bedpan Lugs. Vitreous china, 1.28 gpf [4.8 Lpf] or greater high efficiency floor mounted bottom outlet toilet with siphon jet flushing action and elongated front rim with integral bedpan lugs, and SilverShield antimicrobial glaze. Seat not included. ADA compliant.	57	670240813908	428.00
ⓐ Z5667-BWL-AM	1-1/2" Back Spud. Vitreous china, 1.28 gpf [4.8 Lpf] low consumption, floor mounted toilet with siphon jet flush action and elongated front rim, and SilverShield antimicrobial glaze. Seat not included. ADA compliant.	57	670240810242	354.00
<b>Children's Round Floor Mounted Flush Valve Toilet</b>				
ⓐ Z5675-BWL	1-1/2" Top Spud. Vitreous china, low consumption, round front rim, floor mounted toilet, and two bolt caps. Seat not included. ADA compliant.	32	670240254398	367.00
<b>1.6 gpf, Heavy-Duty Bariatric, Antimicrobial Powder Coated</b>				
Z5681	1-1/2" Top Spud. Heavy-duty, stainless steel, antimicrobial powder-coated wall mounted 1.6 gpf [6 Lpf] low consumption siphon jet toilet with custom elongated seat.	50	670240264007	5,850.00
Z5683	1-1/2" Back Spud. Heavy-duty, stainless steel, antimicrobial powder-coated wall mounted 1.6 gpf [6 Lpf] low consumption siphon jet toilet with custom elongated seat.	65	670240264168	6,541.00
<b>1.6 gpf, Extra-Heavy-Duty Bariatric, Antimicrobial Powder Coated</b>				
Z5691	1-1/2" Top Spud. Antimicrobial powder-coated stainless steel, bariatric extra-heavy-duty wall mounted 1.6 gpf [6 Lpf] low consumption siphon jet toilet with comfort-sized seat.	65	670240264182	6,729.00
Z5693	1-1/2" Back Spud. Antimicrobial powder-coated stainless steel, bariatric extra-heavy-duty wall mounted 1.6 gpf [6 Lpf] low consumption siphon jet toilet with comfort-sized seat.	65	670240264205	7,420.00



## TWO-PIECE TOILETS

PRODUCT NO.	DESCRIPTION	WEIGHT (LBS.)	UPC	LIST PRICE
<b>1.28 gpf, Elongated, High Efficiency Siphon Jet Toilet</b>				
Z5535-K	Vitreous china, high efficiency, low consumption, high performance siphon-jet toilet with 3" flush valve, elongated front rim, and 12" standard rough-in, with 1000gram MaP rating.	89	670240007055	<b>805.00</b>
Z5545-K	Vitreous china, high efficiency, low consumption, high performance siphon-jet toilet with 3" flush valve, round front rim, and 12" standard rough-in, with 1000gram MaP rating.	88	889934070972	<b>774.00</b>
ⓐ Z5555-K	Vitreous china, high efficiency, low consumption, high performance siphon-jet toilet with 3" flush valve, ADA/comfort height, elongated front rim, and 12" standard rough-in, with 1000gram MaP rating.	92	670240015630	<b>854.00</b>
<b>1.6 gpf, Elongated, High Performance, Siphon Jet Toilet</b>				
ⓐ Z5551-K	Vitreous china, two-piece, 1.6 gpf [6 Lpf] low consumption, high performance siphon jet toilet with 3" flush valve, elongated front rim, 16-1/8" ADA height rim, and 12" standard rough-in, with 1000gram MaP rating.	92	670240017856	<b>842.00</b>
Z5552-K	Vitreous china, two-piece, 1.6 gpf [6 Lpf] low consumption, high performance siphon jet toilet with 3" flush valve, elongated front rim, and 12" standard rough-in, with 1000gram MaP rating.	89	670240017948	<b>792.00</b>
Z5553-K	Vitreous china, two-piece, 1.6 gpf [6 Lpf] low consumption, high performance siphon jet toilet with 3" flush valve, round front rim, and 12" standard rough-in, with 1000gram MaP rating.	88	670240017986	<b>761.00</b>
<b>1.6 gpf, Elongated, Siphon Jet Two-Piece Toilet</b>				
Z5538-K	Vitreous china, low consumption, elongated, siphon-action, floor mounted toilet with 12" rough-in.	83	889934118575	<b>370.00</b>
Z5538-RH-K	Vitreous china, low consumption, elongated, siphon- action, floor mounted toilet with right-hand lever and 12" rough-in.	83	889934134117	<b>370.00</b>
Z5538-VL-K	Vitreous china, low consumption, elongated, siphon-action, floor mounted toilet with vandal-proof lid.	83	889934134124	<b>436.00</b>
<b>1.6 gpf, Round, Siphon Jet Two-Piece Toilet</b>				
Z5548-K	Vitreous china, low consumption, round, siphon-action, floor mounted toilet with 12" rough-in.	78	889934118582	<b>332.00</b>
Z5548-RH-K	Vitreous china, low consumption, round, siphon-action, floor mounted toilet with right-hand lever and 12" rough-in.	78	889934134100	<b>332.00</b>
Z5548-VL-K	Vitreous china, low consumption, round, siphon-action, floor mounted toilet with vandal-proof lid.	78	889934134131	<b>398.00</b>
<b>1.6 gpf, ADA Height, Elongated, Siphon Jet Two-Piece Toilet</b>				
ⓐ Z5558-K	Vitreous china, low consumption, elongated, siphon-action, floor mounted toilet with 12" rough-in. ADA compliant.	87	889934118599	<b>424.00</b>
ⓐ Z5558-RH-K	Vitreous china, low consumption, elongated, siphon-action, floor mounted toilet with right-hand lever and 12" rough-in. ADA compliant.	87	889934129939	<b>424.00</b>
ⓐ Z5558-VL-K	Vitreous china, low consumption, elongated, siphon-action, floor mounted toilet with vandal-proof lid. ADA compliant.	87	889934134148	<b>490.00</b>



Z5535-K



Z5545-K



Z5555-K



Z5551-K



Z5552-K



Z5553-K



Z5538-K



Z5548-K



Z5558-K

## TWO PIECE, PRESSURE ASSIST TOILET

PRODUCT NO.	DESCRIPTION	WEIGHT (LBS.)	UPC	LIST PRICE
<b>1.0 gpf, High Efficiency, Elongated Pressure Assist Toilet</b>				
Ⓢ Z5561	Vitreous china, high efficiency 1.0 gpf [4 Lpf], pressure assisted two-piece toilet, siphon jet bowl, elongated ADA height rim, and 12" rough-in.	98	670240650909	<b>942.00</b>
Z5571	Vitreous china, high efficiency 1.0 gpf [4 Lpf] pressure assisted two-piece toilet, siphon jet bowl, elongated rim, and 12" rough-in.	92	670240650923	<b>930.00</b>
Z5576	Vitreous china, high performance 1.0 gpf [4 Lpf] pressure assisted, round front, two-piece toilet with 12" rough-in.	95	670240409132	<b>930.00</b>
<b>1.6 gpf, Elongated Pressure Assist Toilet</b>				
Ⓢ Z5560	Vitreous china, two-piece toilet with 1.6 gpf [6 Lpf] pressure assisted tank, siphon jet bowl, elongated ADA height rim, and 12" rough-in.	98	670240606340	<b>911.00</b>
Z5570	Vitreous china, two-piece toilet with 1.6 gpf [6 Lpf] pressure assisted tank, siphon jet bowl, elongated rim, and 12" rough-in.	92	670240606357	<b>898.00</b>
Z5575	Vitreous china, high performance 1.6 gpf [6 Lpf] pressure assisted, round front, two-piece toilet with 12" rough-in.	95	670240403307	<b>893.00</b>
<b>Dual Flush 1.6/1.0 gpf, High Efficiency, Elongated Pressure Assist Toilet</b>				
Ⓢ Z5562	Vitreous china, high efficiency dual flush 1.6 [6 Lpf]/ 1.0 gpf [4 Lpf], pressure assisted two-piece toilet, siphon jet bowl, elongated ADA height rim, and 12" rough-in.	98	670240650916	<b>935.00</b>
Z5572	Vitreous china, high efficiency dual flush 1.6 gpf [6 Lpf]/1.0 gpf [4 Lpf] pressure assisted two-piece toilet with siphon jet bowl, elongated rim, and 12" rough-in.	92	670240650930	<b>955.00</b>
Z5577	Vitreous china, high efficiency dual flush 1.6 gpf [6 Lpf]/ 1.0 gpf [4 Lpf] pressure assisted, round front, two-piece toilet with 12" rough-in.	95	670240409125	<b>923.00</b>
<b>Pressure Assist Toilet Option Adders</b>				
-RH	Right Hand		-	<b>N/C</b>
-VL	Vandal Lock		-	<b>55.00</b>
<b>Pressure Assist Replacement Tank Kit</b>				
Z8106	Pressure Assist Replacement Tank Kit			<b>315.00</b>



Z5561 - Z5576



Z5560 - Z5575



Z5562 - Z5577

# URINALS

PRODUCT NO.	DESCRIPTION	WEIGHT (LBS.)	UPC	LIST PRICE
<b>0.125 gpf, Ultra Low Consumption Urinal</b>				
Z5708-U	"The Nano Pint" - Washout .0125 gpf urinal fixture designed to retrofit 4 bolt pattern urinals with 3/4" top spud.	28	670240253032	327.00
Z5738-U	"The Small Pint" - Washout .0125 gpf urinal fixture with 3/4" top spud. Dimensions 22-1/4" x 14-1/2".	39	670240401631	327.00
Z5758-U	"The Retrofit Pint" - Washout .0125 gpf urinal fixture with 3/4" top spud. Dimensions 29" x 18-1/2".	72	670240396814	502.00
Z5759-U	"The Retrofit Pint" - Washout .0125 gpf urinal fixture with 3/4" back spud. Dimensions 29" x 18-1/2".	72	670240398115	502.00
<b>1.0 gpf, Siphon Jet Urinal</b>				
Z5730	Top Spud - Vitreous china, wall hung siphon jet urinal provided with 3/4" top spud and wall hanger.	34	670240605923	428.00
<b>0.125 gpf to 1.0 gpf, Omni-Flo® Urinal</b>				
Z5755-U	3/4" Top Spud. Vitreous china, low consumption, wall hung urinal with universal mounting bracket.	65	670240836839	502.00
Z5765-U	3/4" Back Spud. Vitreous china, low consumption, wall hung urinal with universal mounting bracket.	65	670240836846	502.00
<b>Water Free Urinal</b>				
Z5795	Vitreous china, wall hung waterless urinal with integral trap and drain line connection. Urinal is furnished with concealed wall hanger brackets, telescoping flanged PVC drain line connection, premeasured green sealant bottles, and drain line gasket. Zurn green sealant maintains a sanitary, environmentally friendly, and odor-free installation. No special tools are required to maintain the trap seal. Dimensions 27" x 19".	66	670240646896	1,505.00



# WALL HUNG LAVATORIES

PRODUCT NO.	DESCRIPTION	WEIGHT (LBS.)	UPC	LIST PRICE
<b>19" x 17" Wall Hung Lavatories</b>				
Z5351	19" x 17" vitreous china wall hung lavatory with single faucet hole. Provided with hanger plate.	28	670240605824	139.00
Z5354	19" x 17" vitreous china wall hung lavatory with 4" center faucet holes. Provided with hanger plate.	28	670240605831	139.00
Z5358	19" x 17" vitreous china wall hung lavatory with 8" center faucet holes. Provided with hanger plate.	28	670240605848	139.00
<b>20" x 18" Wall Hung Lavatories</b>				
Z5314	20" x 18" vitreous china wall hung lavatory with back overflow and 4" center faucet holes. For exposed or concealed arm carrier systems.	35	670240606036	332.00
Z5318	20" x 18" vitreous china wall hung lavatory with back overflow and 8" center faucet holes. For exposed or concealed arm carrier systems.	35	670240606043	332.00
Z5341	20" x 18" vitreous china wall hung lavatory with single faucet hole. Provided with hanger plate and holes for concealed arms.	42	670240605794	195.00
Z5344	20" x 18" vitreous china wall hung lavatory with 4" center faucet holes. Provided with hanger plate and holes for concealed arms.	42	670240605800	195.00
Z5348	20" x 18" vitreous china wall hung lavatory with 8" center faucet holes. Provided with hanger plate and holes for concealed arms.	42	670240605817	195.00
Z5341-PED	20" x 18" vitreous china wall hung lavatory with single faucet hole. Provided with hanger plate and holes for concealed arms with vitreous china half pedestal shroud to conceal trap and supply connections.	49	670240389601	446.00
Z5344-PED	20" x 18" vitreous china wall hung lavatory with 4" center faucet holes. Provided with hanger plate and holes for concealed arms with vitreous china half pedestal shroud to conceal trap and supply connections.	49	670240389618	446.00
Z5361	20" x 18" vitreous china wall hung lavatory with single faucet hole. Provided with hanger plate and holes for concealed arm carrier systems.	42	670240641396	195.00
Z5364	20" x 18" vitreous china wall hung lavatory with 4" center faucet holes. Provided with hanger plate and holes for concealed arm carrier systems.	42	670240641402	195.00
Z5368	20" x 18" vitreous china wall hung lavatory with 8" center faucet holes. Provided with hanger plate and holes for concealed arm carrier systems.	42	670240641419	195.00
Z5361-PED	20" x 18" vitreous china wall hung lavatory with single faucet hole. Provided with hanger plate and holes for concealed arm carrier systems with vitreous china half pedestal shroud to conceal trap and supply connections.	49	670240362598	439.00
Z5364-PED	20" x 18" vitreous china wall hung lavatory with 4" center faucet holes. Provided with hanger plate and holes for concealed arm carrier systems with vitreous china half pedestal shroud to conceal trap and supply connections.	49	670240389632	439.00
<b>23" x 20-1/4" Wheelchair Lavatory</b>				
Ⓢ Z5321	23" x 20-1/4" with single faucet hole. Vitreous china, wall hung lavatory provided with holes for concealed arm carrier systems.	34	670240644588	311.00
Ⓢ Z5324	23" x 20-1/4" with 4" center faucet holes. Vitreous china, wall hung lavatory provided with holes for concealed arm carrier systems.	34	670240644595	311.00
Ⓢ Z5328	23" x 20-1/4" with 8" center faucet holes. Vitreous china, wall hung lavatory provided with holes for concealed arm carrier systems.	34	670240644601	311.00
Ⓢ Z5321-PED	23" x 20-1/4" with single faucet hole. Vitreous china, wall hung lavatory provided with holes for concealed arm carrier systems with vitreous china half pedestal shroud to conceal trap and supply connections.	41	670240389571	566.00
Ⓢ Z5324-PED	23" x 20-1/4" with 4" center faucet holes. Vitreous china, wall hung lavatory provided holes for concealed arm carrier systems with vitreous china half pedestal shroud to conceal trap and supply connections.	41	670240389588	566.00



## COUNTERTOP AND UNDERMOUNT LAVATORIES

PRODUCT NO.	DESCRIPTION	WEIGHT (LBS.)	UPC	LIST PRICE
<b>20" x 17" Self-Rimming Countertop Lavatories</b>				
Z5111	20" x 17" vitreous china, self-rimming, countertop lavatory with single faucet hole.	22	670240605954	128.00
Z5114	20" x 17" vitreous china, self-rimming, countertop lavatory with 4" center faucet holes.	22	670240605961	128.00
Z5118	20" x 17" vitreous china, self-rimming, countertop lavatory with 8" center faucet holes.	22	670240605978	128.00
<b>19" Round Self-Rimming Countertop Lavatories</b>				
Z5121	19" round vitreous china, self-rimming countertop lavatory with single faucet hole.	22	670240605985	141.00
Z5124	19" round vitreous china, self-rimming countertop lavatory with 4" center faucet holes.	22	670240605992	141.00
Z5128	19" round vitreous china, self-rimming countertop lavatory with 8" center faucet holes.	22	670240606005	141.00
<b>19" x 16" Undermount Lavatories</b>				
Z5220	19" x 16" vitreous china undermount lavatory with front overflow.	22	670240606012	171.00



Z511\_



Z512\_



Z5220

## CAST IRON LAVATORIES

PRODUCT NO.	DESCRIPTION	WEIGHT (LBS.)	UPC	LIST PRICE
<b>20" x 17" Self-Rimming Enameled Cast Iron Lavatory</b>				
Z5811	20" x 17" enameled cast iron self-rimming lavatory with single faucet hole.	38	670240626003	370.00
Z5814	20" x 17" enameled cast iron self-rimming lavatory with 4" center faucet holes.	38	670240606432	370.00
Z5818	20" x 17" enameled cast iron self-rimming lavatory with 8" center faucet holes.	38	670240606449	370.00
<b>19" Round Self-Rimming Enameled Cast Iron Lavatory</b>				
Z5821	19" round enameled cast iron self-rimming lavatory with single faucet hole.	38	670240626010	339.00
Z5824	19" round enameled cast iron self-rimming lavatory with 4" center faucet holes.	38	670240606456	339.00
<b>19" x 17" Enameled Cast Iron Wall Hung Lavatory</b>				
Z5831	19" x 17" enameled cast iron wall hung lavatory. Provided with single faucet hole and hanger plate.	61	670240626027	560.00
Z5834	19" x 17" enameled cast iron wall hung lavatory. Provided with 4" center faucet holes and hanger plate.	61	670240626034	560.00
Z5838	19" x 17" enameled cast iron wall hung lavatory. Provided with 8" center faucet holes and hanger plate.	61	670240626041	560.00
<b>20" x 18" Enameled Cast Iron Wall Hung Lavatory</b>				
Z5841	20" x 18" enameled cast iron wall hung lavatory. Provided with single hole center faucet.	60	670240626058	604.00
Z5844	20" x 18" enameled cast iron wall hung lavatory. Provided with 4" center faucet holes.	60	670240606470	604.00
Z5848	20" x 18" enameled cast iron wall hung lavatory. Provided with 8" center faucet holes.	60	670240606487	604.00



Z581\_



Z582\_



Z583\_



Z584\_



## HOSPITAL AND INSTITUTIONAL FIXTURES

PRODUCT NO.	DESCRIPTION	WEIGHT (LBS.)	UPC	LIST PRICE
<b>Wall Mount, Blowout Service Sink</b>				
Z5410	Vitreous china, wall mounted blowout service sink with integral flushing rim and 1-1/2" top spud, with SilverShield antimicrobial glaze.	60	670240606050	2,136.00
<b>Floor Mounted, Siphon Jet Service Sink</b>				
Z5420	Vitreous china, floor mounted siphon jet service sink with integral flushing rim and 1-1/2" top spud, with SilverShield antimicrobial glaze.	60	670240606067	2,136.00
<b>28" x 22" Surgeon Sink</b>				
Z5461-AM	28" x 22" vitreous china surgeon sink. Provided with wall hangers, support brackets, and single faucet hole, with SilverShield antimicrobial glaze.	83	670240810259	1,978.00
Z5468-AM	28" x 22" vitreous china surgeon sink. Provided with wall hangers, support brackets, and 8" center faucet holes, with SilverShield antimicrobial glaze.	83	670240810273	1,978.00



Z5410



Z5420



Z546\_-AM

## SPECIALTY FIXTURES

PRODUCT NO.	DESCRIPTION	WEIGHT (LBS.)	UPC	LIST PRICE
<b>Custodial Floor Sink</b>				
Z5850	28" x 28" enameled cast iron corner floor sink. Outlet not included.	210	670240607897	1,382.00
<b>SUFFIXES</b>				<b>ADD</b>
-RG	Rim guard. Outlet not included.	-	670240614314	190.00
-D2	2" IPS outlet connection.	-	670240614451	205.00
-D3	3" IPS outlet connection.	-	670240614468	223.00
<b>Service Sink</b>				
Z5880	22" x 18" enameled cast iron service sink with no faucet holes. Provided with hanger plate, U-type rim guard, and 12" backsplash.	115	670240606555	867.00
Z5888	22" x 18" enameled cast iron service sink with 8" center faucet holes. Provided with hanger plate, U-type rim guard, and 12" backsplash.	115	670240606562	867.00
Z5890	24" x 20" enameled cast iron service sink with no faucet holes. Provided with hanger plate, U-type rim guard, and 12" backsplash.	125	670240606579	942.00
Z5898	24" x 20" enameled cast iron service sink with 8" center faucet holes. Provided with hanger plate, U-type rim guard, and 12" backsplash.	125	-	942.00
<b>Cast Iron Trap Standard for Service Sinks</b>				
Z5900-IP2	2" IPS outlet.	38	670240651890	205.00
Z5900-IP3	3" IPS outlet.	38	670240651906	223.00



Z5850



Z588\_



Z589\_



Z5900-IP\_

# TOILET SEATS

PRODUCT NO.	DESCRIPTION	UPC	LIST PRICE
<b>Toilet Seats</b>			
Z5955-LC	Open front less cover, heavy duty, zinc plated hinge	670240247093	81.00
Z5955SS-EL	Open front less cover, heavy duty, with stainless steel check hinge	670240610804	42.00
Z5955SS-EL-BK	Open front less cover, heavy duty, with stainless steel check hinge	670240633483	63.00
Z5955SS-EL-STS	Open front less cover, heavy duty, with self sustaining stainless steel check hinge	670240610781	82.00
Z5955SS-EL-STS-BK	Black open front toilet seat, elongated, self sustaining	670240633490	82.00
Z5955SS-AM-STS	Antimicrobial Open front less cover, stainless steel self-sustaining check hinge	670240622890	84.00
Z5955SS-EL-AMFR-STS	Anitimicrobial / Fire Retardant Open front less cover, stainless steel self-sustaining check hinge	670240356412	156.00
Z5956SS-EL	Open front less cover, extra heavy duty, with stainless steel check hinge	670240610811	69.00
Ⓐ Z5956SS-EL-ADA	Elongated, premium white, open front 2" lift toilet seat for ADA	670240374287	438.00
Z5956SS-EL-STS	Open front less cover, extra heavy duty, with self sustaining steel check hinge	670240610798	124.00
Z5956SS-AM	Elongated, premium white, open front toilet seat, less cover, with stainless steel check hinge and Anti-microbial protection.	670240629356	112.00
Z5956SS-AM-STS	Elongated, premium white, open front toilet seat, less cover, with self-sustaining stainless steel check hinge and Anti-microbial protection.	670240633551	124.00
Z5956SS-EL-BK	Open front less cover, extra heavy duty, with stainless steel check hinge	670240633520	124.00
Z5957SS-EL	Open front with cover extra, heavy duty, commercial, stainless steel hinge	670240610828	95.00
Z5957SS-EL-STS	Elongated, white, open front toilet seat with cover and stainless steel check hinge.	670240633582	124.00
Z5957SS-EL-AMFR	Antimicrobial/Fire Retardant open front with cover, stainless steel hinge.	670240258532	124.00
Z5957SS-EL-BK	(K) Black open front toilet seat w/ cover, elongated	670240633575	124.00
Z5958SS-EL	Closed front with cover, extra heavy duty, commercial, stainless steel hinge	670240610842	95.00
Z5958SS-EL-STS	Closed front with cover, extra heavy duty, with self-sustaining ring with stainless ring with steel check hinge	670240633643	124.00
Z5957SS-RD	Open front with cover extra, heavy duty, commercial stainless steel hinge	670240610835	76.00
Z5958SS-RD	Closed front with cover, extra heavy duty, commercial stainless steel hinge	670240610859	80.00
Z5958SS-RD-STS	Round, white, closed front toilet seat, with cover and self-sustaining check hinge	670240633674	124.00
Z5959SS-JUV	Antimicrobial Baby Bowl, open front less cover, stainless steel hinge	670240616998	77.00



Z5955SS-\_\_

Z5956SS-\_\_

Z5957SS-\_\_

Z5958SS-\_\_

Z5959SS-JUV

## MISCELLANEOUS PARTS

PART NUMBER	DESCRIPTION	UPC	LIST PRICE
<b>Toilets</b>			
Z5538-TNK-K	Z5538 TNK Only - With Lid	670240014589	168.00
Z5538-TNK-LID-K	Z5538 Lid Only	670240357556	63.00
Z5538-HDL	Z5538 Handle Assembly	670240407367	19.00
Z5538-BWL-K	Z5538 BWL Only	-	204.00
Z5548-BWL-K	Z5548 BWL Only	-	165.00
Z5558-BWL-K	Z5558 BWL Only	670240011144	258.00
Z5538-FL-K	Z5538/Z5548/Z5558 Flush Valve	-	20.00
Z5538-FV-K	Z5538/Z5548/Z5558 Fill Valve	-	33.00
Z5560-TNK-PA	Z5560 TNK Only - With Lid	670240632721	531.00
Z5560-BWL	Z5560 BWL Only	670240616424	380.00
Z5560-TNK-PA-LID	Z5560 Lid Only	670240377820	64.00
S004	Z5560 Handle Assembly	670240235427	26.00
Z5570-BWL	Z5570 BWL Only	670240616431	368.00
Z8106	Pressure Assist replacement tank kit 1.6 gpf	670240792609	315.00
<b>Urinals</b>			
P5795-1	Strainer for Waterless Urinal	670240666207	44.00
P5795-2	Bell Trap for Waterless Urinal	670240664357	13.00
P5795-3	Bell Trap O-Ring for Waterless Urinal	670240664364	9.00
P5795-4	Ferrule for Waterless Urinal	084169005632	9.00
P5795-5	Ferrule Nut for Waterless Urinal	670240395541	9.00
P5795-6	Ferrule Nut and Ferrule for Waterless Urinal	670240780316	9.00
P5795-7	Flange Gasket for Waterless Urinal	670240395558	17.00
P5795-8	Flange for Waterless Urinal	670240395565	43.00
P5795-9	Flange and Gasket for Waterless Urinal	670240780323	55.00
P5795-10	Strainer Removal Tool for Waterless Urinal	670240391277	76.00
Z5750-BKT	Z5750 Wall Hanger Bracket	670240638037	19.00
<b>Lavatories</b>			
Z5220-KIT	Z5220 Mounting Hardware Kit	670240637993	8.00
Z5340-BKT	Z5340 Wall Hanger Bracket	670240638006	14.00
Z5350-BKT	Z5350 Wall Hanger Bracket	670240638013	14.00
Z5410/20-FRG	Z5410 Stainless Steel Front Rim Guard	670240614338	88.00
Z5410-20-SRG	Z5410 Stainless Steel Side Rim Guard	-	88.00
Z5410/20-FRG	Z5420 Stainless Steel Front Rim Guard	670240614338	88.00
Z5410/20-SRG	Z5420 Stainless Steel Side Rim Guard	670240614321	88.00
Z5460-BKT	Z5460 Wall Hanger Bracket	670240638112	27.00
Z5460-SB	Z5460 Support Bracket	670240638129	27.00

PART NUMBER	DESCRIPTION	UPC	LIST PRICE
<b>Other</b>			
Z5840-BKT	Z5840 Wall Hanger Bracket	-	27.00
Z5850-RG	Z5850 Coated Rim Guard	670240614314	190.00
Z5850-D2	Z5850 2" IPS Outlet with Strainer	670240614451	205.00
Z5850-D3	Z5850 3" IPS Outlet with Strainer	670240614468	223.00
Z5850-L2	Z5850 2" Iron Pipe/Solder Outlet with Strainer	670240638044	139.00
Z5850-BL2	Z5850 2" Iron Pipe/Solder Outlet with Beehive Strainer	670240638051	139.00
Z5880-BKT	Z5880 Wall Hanger Bracket	670240638099	32.00
Z5890-BKT	Z5890 Wall Hanger Bracket	670240638105	32.00
Z5970-BOLT	Z5970 Closet Flange Brass Bolt Kit	670240610774	8.00
Z5972-COMB	Z5972 Closet Bolt/Wax Ring Kit	670240633186	30.00
Z5972-HDW	Z5972 Tank-to-Bowl Mounting Hardware	670240633247	14.00
Z5972-CAP	Z5972 Toilet Plastic Bolt Cap Kit	670240638068	7.00
Z5973-CF-PVC	Z5973 3" x 4" PVC Closet Flange with Test Cap	670240633254	27.00
Z5973-CF-CI3	Z5973 3" Cast Iron Torque Set Closet Flange	670240633278	51.00
Z5973-CF-CI4	Z5973 4" Cast Iron Torque Set Closet Flange	670240633285	51.00
Z5974-FLO-PVC	Z5974 Flo-Bowl Closet Flange Kit - PVC	670240633292	51.00
Z5974-FLO-ABS	Z5974 Flo-Bowl Closet Flange Kit - ABS	670240633308	51.00
Z5975-FLO-JR	Z5975 Flo-Bowl Jr. - PVC	670240610910	40.00
Z5976-URINAL	Z5976 Urinal Flange Kit - PVC	670240637863	27.00
Z5977-NEO	Z5977 Neo-Seal Gasket Kit for Wall Mounted Bowls	670240628298	27.00
Z5610-NUT-EXT-KIT	Extended Acorn Nut Kit with Washers	-	39.00
Z5798-STR	Z5978 Urinal Strainer	670240801523	58.00
Z5980-SPUD-34	Z5980 3/4" Brass Top Spud Assembly	670240638075	16.00
Z5980-SPUD-112	Z5980 1-1/2" Brass Top Spud Assembly	670240638082	16.00

FLUSH VALVES

FAUCETS

TEMP-GARD®

TUBULAR BRASS

FIXTURES

AQUAPARTS® REPAIR PARTS AND ASSEMBLIES

## ZURN COMMERCIAL FIXTURES CARRIER SELECTION GUIDE

Fixture Product No.	Type	Size	Zurn Recommended Carrier System
Z5311 Z5314 Z5318 Z5341 Z5344 Z5348	Lavatory	20 x 18	Z1224, Z1231, Z1251, Z1253, Z1254, Z1259
Z5844 Z5848	Lavatory	20 x 18	Z1224, Z1231-AL, Z1236-AL, Z1251-AL, Z1253-AL, Z1254-AL, Z1255-AL, Z1256-AL, Z1257-AL, Z1258-AL, Z1259
Z5351 Z5354 Z5358	Lavatory	19 x 17	Z1224, Z1259
Z5834 Z5838	Lavatory	19 x 17	Z1224, Z1231-AL, Z1236-AL, Z1251-AL, Z1253-AL, Z1254-AL, Z1255-AL, Z1256-AL, Z1257-AL, Z1258-AL, Z1259
Z5321 Z5324 Z5328	ADA Lavatory	23 x 20-1/4	Z1231-79, Z1251-79, Z1253-79, Z1254-79
Z5331 Z5334 Z5338	ADA Lavatory	27 x 20-1/4	Z1231-79, Z1251-79, Z1253-79, Z1254-79
Z5360 Z5361 Z5364 Z5368	High Back Lavatory	20 x 18	Z1224, Z1231, Z1251, Z1253, Z1254, Z1259
Z5410	Service Sink	19 x 21-1/2	Z1217-B, Z1218-B
Z5880 Z5888	Service Sink	22 x 18	Z1229
Z5890 Z5898	Service Sink	24 x 20	Z1229
Z5461 Z5468	Surgeon Sink	28 x 22	Z1224-2, Z1259-BP
Z5615	Wall Hung Toilet	25 x 14	Z1201, Z1202, Z1203, Z1204, Z1207, Z1208, Z1209, Z1212, Z1280, Z1282, Z1283, Z1284, Z1285
Z5630	Back Outlet Toilet	15 x 30-1/2	Z1212-F
Z5640	Back Outlet Toilet	14-5/8 x 32	Z1212-F
Z5730	Urinal	13 x 14-1/2	Z1221, Z1222, Z1259
Z5750	Urinal	18-1/2 x 14-1/4	Z1221, Z1222, Z1259 Z5760
Z5795	Waterless Urinal	27 x 19	Z1221, Z1222, Z1259

# ZURN COMMERCIAL FIXTURES CROSS REFERENCE GUIDE

## FLUSH VALVE TOILETS

Product No.	American Standard		Kohler		Crane		Eljer		Toto	
	Name	No.	Name	No.	Name	No.	Name	No.	Name	No.
<b>1.1 gpf or Greater, Elongated, Wall Hung Flush Valve Toilet</b>										
Z5615-BWL	Afwall	2257.103	Kingston	K-4330	Placidus	3446	Signature	111-2105	-	CT708
Z5615-BWL-AM	Afwall	2257.103	Kingston	K-4330	Placidus	3446	Signature	111-2105	-	CT708
Z5616-BWL-AM	Afwall	2257.194	Kingston	K-4330-L	Placidus	3H722	Signature	111-2113	No Equal	No Equal
<b>1.28 gpf or Greater, Concealed, Elongated, Wall Hung Flush Valve Toilet</b>										
Z5617-BWL	Afwall	2258.125	Kingston	K-4329	Placidus	3449	Signature	111-2110	No Equal	No Equal
<b>1.6 gpf, Back Outlet, Floor Mounted Flush Valve Toilet</b>										
Z5630	Neolo	2529.016	Angsley	K-4386	Carlton	4379	Signature	111-2155	No Equal	No Equal
Z5631	Neolo	2529.016	Angsley	K-4386	Carlton	4379	Signature	111-2155	No Equal	No Equal
Z5640	No Equal	No Equal	No Equal	No Equal	Flormont	3709	Sherwin	111-2875	No Equal	No Equal
<b>1.6 gpf, ADA Height, Back Outlet, Floor Mounted Flush Valve Toilet</b>										
Z5641	No Equal	No Equal	No Equal	No Equal	Flormont	3709H	Sherwin	111-2883	No Equal	No Equal
<b>1.28 gpf or Greater, Back Outlet, Floor Mounted Flush Valve Toilet</b>										
Z5635-BWL	Neolo	2530.016	Angsley	K-4387	Carlton	4380	Signature	111-2156	No Equal	No Equal
Z5637-BWL	No Equal	No Equal	No Equal	No Equal	No Equal	No Equal	Signature	111-2163	No Equal	No Equal
<b>1.28 gpf or Greater, ADA Height, Back Outlet, Floor Mounted Flush Valve Toilet</b>										
Z5645-BWL	No Equal	No Equal	No Equal	No Equal	Flormont	3709	Sherwin	111-2875	No Equal	No Equal
Z5646-BWL	No Equal	No Equal	No Equal	No Equal	Flormont	3709H	Sherwin	111-2883	No Equal	No Equal
Z5647-BWL	No Equal	No Equal	No Equal	No Equal	Flormont	3709H	Sherwin	111-2883	No Equal	No Equal
<b>1.1 gpf or Greater, Elongated, Floor Mounted Flush Valve Toilet</b>										
Z5655-BWL1	Madera	2234.015	Wellcomme	K-4349	Whirlton	3325	Signature	111-2125	-	CT705
Z5655-BWL-BA-AM	Madera	2234.015	Wellcomme	K-4349	Whirlton	3325	Signature	111-2125	-	CT705
Z5656-BWL-AM	Madera	2235.137	Wellcomme	K-4350-L	Whirlton	3H704	Signature	111-2133	No Equal	No Equal
Z5657-BWL-AM	No Equal	No Equal	Wellcomme	K-4350	No Equal	No Equal	Signature	111-2165	No Equal	No Equal
<b>1.28 gpf or Greater, 14" Height, Elongated, Floor Mounted Flush Valve Toilet</b>										
Z5654-BWL-AM	No Equal	No Equal	No Equal	No Equal	No Equal	No Equal	No Equal	No Equal	No Equal	No Equal
<b>1.1 gpf or Greater, ADA Height, Elongated, Floor Mounted Flush Valve Toilet</b>										
Z5665-BWL1	Madera	3043.102	Highcrest Highcliff	K-4302 K-4368	Hymont	3H701	Signature	111-2145	-	CT705L
Z5665-BWL-BA-AM	Madera	3043.102	Highcrest Highcliff	K-4302 K-4368	Hymont	3H701	Signature	111-2145	-	CT705L
Z5666-BWL	Madera	3043.156	Highcrest Highcliff	K-4302-L K-4368-L	Hymont Jr. Creston	3816 4377	Signature	111-2153	No Equal	No Equal
Z5666-BWL-AM	Madera	3043.156	Highcrest Highcliff	K-4302-L K-4368-L	Hymont Jr. Creston	3816 4377	Signature	111-2153	No Equal	No Equal
Z5667-BWL	No Equal	No Equal	Highcliff Highcrest	K-4367 K-4301	No Equal	No Equal	Signature	111-2175	No Equal	No Equal
Z5667-BWL-AM	No Equal	No Equal	Highcliff Highcrest	K-4367 K-4301	No Equal	No Equal	Signature	111-2175	No Equal	No Equal
<b>Children's Round Floor Mounted Flush Valve Toilet</b>										
Z5675-BWL	Devoro	2282.01	Primary	K-4321	Baby	3380	Kindergarten	111-1000	No Equal	No Equal

When ordering parts, always list product number and description.

For additional product information, please visit [www.zurn.com](http://www.zurn.com).

## TWO-PIECE TOILETS

Product No.	American Standard		Kohler		Crane		Eljer		Toto	
	Name	No.	Name	No.	Name	No.	Name	No.	Name	No.
<b>1.28 gpf, Elongated, High Efficiency Siphon Jet Toilet</b>										
Z5535-K	-	211CA	-	-	-	-	-	-	-	-
Z5545-K	-	211BA	-	-	-	-	-	-	-	-
Z5555-K	-	211AA	-	-	-	-	-	-	-	-
<b>1.6 gpf, Elongated, High Performance, Siphon Jet Toilet</b>										
Z5551-K	Champion	2002.012	Cimmarron	K-3496	-	-	Titan	091-0777	Drake	CST744SL
Z5552-K	Champion	2018.212	Cimmarron	K-3499	-	-	Titan	091-0755	Drake	CST744SG
Z5553-K	Champion	2023.212	Cimmarron	K-3497	-	-	Titan	091-0770	Drake	CST743S
<b>1.6 gpf, Elongated, Siphon Jet Two-Piece Toilet</b>										
Z5538-K	Cadet	2898.012	Wellworth	K-3422	Radcliff II	3852	Patriot	091-2125	Carusoe	CST714
<b>1.6 gpf, Round, Siphon Jet Two-Piece Toilet</b>										
Z5548-K	Cadet	2798.012	Wellworth	K-3423	Radcliff II	3842	Patriot	091-2120	Carusoe	CST713
<b>1.6 gpf, ADA Height, Elongated, Siphon Jet Two-Piece Toilet</b>										
Z5558-K	Cadet	2998.012	Highline	K-3427	Hymont	31002	Patriot	091-2175	Carusoe	CST714L
Z5590	-	-	-	-	-	-	-	-	-	-

## HIGH PERFORMANCE PRESSURE ASSIST TOILETS

Product No.	American Standard		Kohler		Crane		Eljer		Toto	
	Name	No.	Name	No.	Name	No.	Name	No.	Name	No.
<b>1.0 gpf, High Efficiency, Elongated Pressure Assist Toilet</b>										
Z5561	No Equal	No Equal	Highline	K-3519	No Equal	No Equal	No Equal	No Equal	No Equal	No Equal
Z5571	No Equal	No Equal	Wellworth	K-3531	No Equal	No Equal	No Equal	No Equal	No Equal	No Equal
Z5576	No Equal	No Equal	No Equal	No Equal	-	-	-	-	-	-
<b>1.6 gpf, Elongated Pressure Assist Toilet</b>										
Z5560	Cadet	2377.1	Highline	K-3544	Economizer	3838	Aqua-Saver	091-7045	No Equal	No Equal
Z5570	Cadet	2333.1	Wellworth	K-3458	Economizer	3835	Aqua-Saver	091-7025	No Equal	No Equal
Z5575	Cadet	2366.1	No Equal	No Equal	Economizer	3834	Aqua-Saver	091-7020	No Equal	No Equal
<b>Dual Flush 1.6/1.0 gpf, High Efficiency, Elongated Pressure Assist Toilet</b>										
Z5562	No Equal	No Equal	No Equal	No Equal	No Equal	No Equal	No Equal	No Equal	No Equal	No Equal
Z5572	No Equal	No Equal	No Equal	No Equal	No Equal	No Equal	No Equal	No Equal	No Equal	No Equal
Z5577	No Equal	No Equal	No Equal	No Equal	-	-	-	-	-	-

## TOILET SEATS

Product No.	Centoco	Bemis	Beneke	Church	Olsonite
Z5955SS-EL	500STSCC	1955-C	523	295C	10CC
Z5955SS-AM	500STSCC	1955-C	523	295C	10CC
Z5956SS-EL	1500STSCC	1655C	527	9400C/9500	10SSC
Z5956SS-AM	1500STSCC	1655C	527	9400C/9500	10SSC
Z5957SS-EL	820STS	1950ST	521HPSS	-	46SSTL
Z5957SS-RD	460STS	950ST	-	-	42SSTL
Z5958SS-EL	800STS	1900ST	520SPSS	-	44SSTL
Z5958SS-RD	440STS	900ST	-	-	40SSTL
Z5959SS-JUV	AM2300STSCC	BB955C	323-5	1580C	126CC

For additional product information, please visit [www.zurn.com](http://www.zurn.com).

When ordering parts, always list product number and description.

## URINALS

Product No.	American Standard		Kohler		Crane		Eljer		Toto	
	Name	No.	Name	No.	Name	No.	Name	No.	Name	No.
<b>0.125 gpf, Ultra Low Consumption Urinal</b>										
Z5708-U	Jetbrook	6571.014	K-4917	Steward S	No Equal	No Equal	No Equal	No Equal	-	-
Z5738-U	Allbrook	6541.132	K-4918	Steward	UT105	UT105	No Equal	No Equal	-	-
Z5758-U	Lynbrook	6601.012	K-4972-T	Stanwell	No Equal	No Equal	No Equal	No Equal	-	-
Z5759-U	No Equal	No Equal	No Equal	No Equal	No Equal	No Equal	No Equal	No Equal	-	-
<b>1.0 gpf, Siphon Jet Urinal</b>										
Z5730	Allbrook	6541.132	K-5016-ET	Dexter	7309	Manhattan	161-1150 161-2090	Dover Signature	UT104	-
<b>0.125 gpf to 1.0 gpf, Omni-Flo Urinal</b>										
Z5755-U	Washbrook Flowise	6590.001	K-4904-ET	Bardon	-	-	-	-	-	-
Z5765-U	Washbrook Flowise	6515.001	K-4904-ER-0	Bardon	-	-	-	-	-	-
<b>Water Free Urinal</b>										
Z5795	F-1000	-	-	WES1000	-	2102	-	-	-	-

## WALL HUNG LAVATORIES

Product No.	American Standard		Kohler		Crane		Eljer		Toto	
	Name	No.	Name	No.	Name	No.	Name	No.	Name	No.
<b>19"x17" Wall Hung Lavatories</b>										
Z5351	No Equal	No Equal	Chesapeake	K-1722	No Equal	No Equal	No Equal	No Equal	No Equal	No Equal
Z5354	Declyn	321.026	Chesapeake	K-1728	No Equal	No Equal	Murray II Blair	051-0244 051-1304	No Equal	No Equal
Z5358	No Equal	No Equal	Chesapeake	K-1724	No Equal	No Equal	No Equal	No Equal	No Equal	No Equal
<b>20" x18" Wall Hung Lavatories</b>										
Z5314	Roxalyn	195.073	Soho	K-2054	Norwich	1165V	Mayburne	051-2244	No Equal	No Equal
Z5318	Roxalyn	194.076	Soho	K-2053	Norwich	1165S	Mayburne	051-2248	No Equal	No Equal
Z5341	Lucerne	356.421	Chesapeake Kingston	K-1721 K-2007	Harwich Clayton	1412H 4642H	Signature	051-2101	Wall Mount	LT307
Z5344	Lucerne Comrade	355.012 124.131	Chesapeake Kingston	K-1729 K-2005	Harwich Clayton	1412V 4642V	Blair Signature	051-1307 051-2104	Wall Mount	LT307.4
Z5348	Lucerne	356.015	Chesapeake Kingston	K-1723 K-2006	Harwich Clayton	1412S 4643S	Blair Signature	051-1308 051-2108	Wall Mount	LT307.8
Z5341-PED	No Equal	No Equal	Pinoir	K-2035-1	Neu-Erica	134H	Signature	051-2102	No Equal	No Equal
Z5344-PED	No Equal	No Equal	Pinoir	K-2035-4	Neu-Erica	134V	Signature	051-2105	No Equal	No Equal
Z5361	No Equal	No Equal	No Equal	No Equal	No Equal	No Equal	Bucknell	052-0195	No Equal	No Equal
Z5364	No Equal	No Equal	No Equal	No Equal	No Equal	No Equal	Bucknell	052-0174	No Equal	No Equal
Z5368	No Equal	No Equal	No Equal	No Equal	No Equal	No Equal	Bucknell	052-0188	No Equal	No Equal
Z5361-PED	No Equal	No Equal	No Equal	No Equal	No Equal	No Equal	No Equal	No Equal	No Equal	No Equal
Z5364-PED	No Equal	No Equal	No Equal	No Equal	No Equal	No Equal	No Equal	No Equal	No Equal	No Equal
<b>23" x 20-1/4" Wheelchair Lavatory</b>										
Z5321	Murro	955	No Equal	No Equal	Diana	110H	No Equal	No Equal	No Equal	No Equal
Z5324	Murro	954	No Equal	No Equal	Diana	110V	FreeStyle	051-2204	No Equal	No Equal
Z5328	Murro	958	No Equal	No Equal	Diana	110S	FreeStyle	051-2208	No Equal	No Equal
Z5329	Murro	59.02	No Equal	No Equal	No Equal	No Equal	Signature	281-2100	No Equal	No Equal
Z5321-PED	Murro	955 w/0059.020	No Equal	No Equal	Neu-Diana	127H	No Equal	No Equal	No Equal	No Equal
Z5324-PED	Murro	954 w/0059.020	No Equal	No Equal	Neu-Diana	127V	FreeStyle	051-2205	No Equal	No Equal

When ordering parts, always list product number and description.

For additional product information, please visit [www.zurn.com](http://www.zurn.com).



## COUNTERTOP AND UNDERMOUNT LAVATORIES

Product No.	American Standard		Kohler		Crane		Eljer		Toto	
	Name	No.	Name	No.	Name	No.	Name	No.	Name	No.
<b>20" x 17" Self-Rimming Countertop Lavatories</b>										
Z5111	Aqualyn Cadet	475.047 419.111	Pennington	K-2196-1	Chelsea Vienne	1280H 4626	Murray Laura	051-0121 051-3515	Reliant Reliant	LT401 LT501
Z5114	Aqualyn Cadet	476.028 419.444	Pennington	K-2196-4	Chelsea Sanibel	1280S 4623	Murray Laura	051-0124 051-3514	Reliant Reliant	LT401.4 LT501.4
Z5118	Aqualyn Cadet	475.02 419.888	Pennington	K-2196-8	Chelsea Vienne	1280V 4624	Murray Laura	051-0128 051-3518	Reliant Reliant	LT401.8 LT501.8
<b>19" Round Self-Rimming Countertop Lavatories</b>										
Z5121	Rondalyn Cadet	490.156 427.111	Brookline	K-2202-1	Carla	1550H	Murray Lisa	051-0171 051-3505	Reliant Reliant	LT402 LT502
Z5124	Rondalyn Cadet	491.019 427.444	Brookline	K-2202-4	Carla	1550V 4618	Murray Lisa	051-0174 051-3504	Reliant Reliant	LT402.4 LT502.4
Z5128	Rondalyn Cadet	490.011 427.888	Brookline	K-2202-8	Carla Bradford	1550S 4619	Murray Lisa	051-0178 051-3508	Reliant Reliant	LT402.8 LT502.8
<b>19" x 16" Undermount Lavatories</b>										
Z5220	Ovalyn Ovalyn-U.A.	496.221 9482.0000	Caxton	K-2211	Tiara	1992	Barrow	051-3381	Reliant	LT587

## CAST IRON LAVATORIES

Product No.	American Standard		Kohler		Crane		Eljer		Toto	
	Name	No.	Name	No.	Name	No.	Name	No.	Name	No.
<b>20" x 17" Self-Rimming Enameled Cast Iron Lavatory</b>										
Z5811	No Equal	No Equal	Farmington	K-2905-1	No Equal	No Equal	Edwin	052-0276	-	No Equal
Z5814	Oval Horiz.	3303	Farmington	K-2905-4	No Equal	No Equal	Edwin	052-0274	-	588
Z5818	Oval Horiz.	3302	Farmington	K-2905-8	No Equal	No Equal	Edwin	052-0278	-	589
<b>19" Round Self-Rimming Enameled Cast Iron Lavatory</b>										
Z5821	No Equal	No Equal	Radiant	K-2917-1	No Equal	No Equal	Owen	052-0266	-	No Equal
Z5824	Horizon	301.025	Radiant	K-2917-4	No Equal	No Equal	Owen	052-0264	-	596
Z5828	No Equal	No Equal	Radiant	K-2917-8	No Equal	No Equal	Owen	052-0268	-	597
<b>19"x 17" Enameled Cast Iron Wall Hung Lavatory</b>										
Z5831	No Equal	No Equal	Hudson	K-2805	No Equal	No Equal	Bucknell	052-0181	-	541-1
Z5834	Regalyn	4867.004	Hudson	K-2861	No Equal	No Equal	Bucknell	052-0164	-	541
Z5838	Regalyn	4867.008	Hudson	K-2863	No Equal	No Equal	Bucknell	052-0178	-	540
<b>20" x 18" Enameled Cast Iron Wall Hung Lavatory</b>										
Z5841	No Equal	No Equal	Hudson	K-2810	No Equal	No Equal	Bucknell	052-0195	-	551-1
Z5844	Regalyn	4869.004	Hudson	K-2849	No Equal	No Equal	Bucknell	052-0174	-	551
Z5848	Regalyn	4869.008	Hudson	K-2869	No Equal	No Equal	Bucknell	052-0188	-	550

## HOSPITAL/INSTITUTIONAL FIXTURES

Product No.	American Standard		Kohler		Crane		Eljer		Toto	
	Name	No.	Name	No.	Name	No.	Name	No.	Name	No.
<b>Wall Mount, Blowout Service Sink</b>										
Z5410	Clinic	9512.021	Camerton	K-12867	Sani-Sink Newcor	7H544 5H258	Judson	241-0260	No Equal	No Equal
<b>Floor Mounted, Siphon Jet Service Sink</b>										
Z5420	Clinic	9504.01	Tyrell	K-6676	Newcor	7H538/H537	Mercer	241-0270	No Equal	No Equal
<b>28" x 22" Surgeon Sink</b>										
Z5461-AM	Surgeon	9047.093	Hollister	K-12793	Neu-Medic	5H256	Surgeon	231-0141	No Equal	No Equal
Z5468-AM	Surgeon	9047.044	Hollister	K-12794	No Equal	No Equal	Surgeon	231-0144	No Equal	No Equal

## SPECIALTY FIXTURES

Product No.	American Standard		Kohler		Crane		Eljer		Toto	
	Name	No.	Name	No.	Name	No.	Name	No.	Name	No.
<b>Custodial Floor Sink</b>										
Z5850	Florwell	7741	Whitby	K-6710	No Equal	No Equal	Custodial	242-0050	-	871
Z5850-RG	-	-	-	-	-	-	-	-	-	-
Z5850-D2	-	-	-	-	-	-	-	-	-	-
Z5850-D3	-	-	-	-	-	-	-	-	-	-
<b>Service Sink</b>										
Z5880	Lakewell	7692	Bannon	K-6718	No Equal	No Equal	Rollins	242-0120	-	867
Z5888	Lakewell	7692.008	Bannon	K-6714	No Equal	No Equal	Rollins	242-0150	-	865
Z5890	Akron	7695	Bannon	K-6719	No Equal	No Equal	Rollins	242-0125	-	868
Z5898	Akron	7695.008	Bannon	K-6715	No Equal	No Equal	Rollins	242-0155	-	866
<b>Cast Iron Trap Standard for Service Sinks</b>										
Z5900-IP2	-	-	-	-	-	-	-	-	-	-
Z5900-IP3	-	-	-	-	-	-	-	-	-	-



# AQUAPARTS® AND ASSEMBLIES

When ordering parts, always list product number and description.

## AQUAPARTS® PARTS AND ASSEMBLIES

A – FLUSH TUBES WITH VACUUM BREAKER FOR AQUAVANTAGE® AND AQUAFLUSH® FLUSH VALVES	156
B – VACUUM BREAKER REPAIR KITS FOR AQUAVANTAGE® AND AQUAFLUSH®	157
C, D – CONTROL STOP KITS FOR AQUAVANTAGE® AND AQUAFLUSH®	157
E – INTERNAL KITS AND ASSEMBLIES	158
G, H – WALL FLANGES, SPUD CONNECTIONS, AND COUPLINGS FOR AQUAVANTAGE® AND AQUAFLUSH®	159
J, K – TAILPIECE EXTENSIONS AND COUPLING NUT ASSEMBLIES FOR AQUAVANTAGE® AND AQUAFLUSH®	160
L, M – VALVE CAPS AND HANDLE PARTS FOR AQUAVANTAGE® AND AQUAFLUSH® EXPOSED FLUSH VALVES	160
METRO – METROFLUSH® FLUSH VALVE PARTS	161
N – CONCEALED VALVE ACTUATOR ASSEMBLIES AND REPAIR PARTS FOR AQUAVANTAGE® AND AQUAFLUSH®	161
ORK – E-Z FLUSH®/OPTIMA PLUS CHANGE-OUT KITS	163
M-ORK – HANDLE/OPTIMA PLUS CHANGE-OUT KITS	163
P – DIVERTER PARTS FOR BEDPAN WASHERS	163
Q – MISCELLANEOUS FLUSH CONNECTIONS AND ELBOWS FOR AQUAVANTAGE® AND AQUAFLUSH® CONCEALED VALVES	164

TPO – TRAP PRIMER PARTS FOR AQUAVANTAGE® AND AQUAFLUSH® VALVES	165
Y – MISCELLANEOUS VALVE PARTS AND ACCESSORIES	165
ZH – HYDRAULIC SERIES FLUSH VALVE REPAIR KITS AND PARTS FOR AQUAVANTAGE® AND AQUAFLUSH® VALVES	166
ZEMS – AQUASENSE® ZEMS ELECTRONIC SENSOR REPLACEMENT PARTS	167
ZERK – AQUASENSE® E-Z FLUSH BATTERY SENSOR REPLACEMENT PARTS	167
ZR – AQUASENSE® RETROFLUSH® BATTERY SENSOR REPLACEMENT PARTS	168
ZTS – ECOVANTAGE® BATTERY SENSOR FLUSH VALVES – ZTS SERIES	168
ZTR – ECOVANTAGE® BATTERY SENSOR FLUSH VALVES – ZTR SERIES	169
Z5795 WATER FREE URINAL PARTS	170
ZBF – AQUASENSE® E-Z SENSOR-OPERATED FAUCETS REPLACEMENT PARTS	170

## PRODUCTS/PARTS EXPLODED VIEWS WITH IDENTIFICATION

AQUAVANTAGE® AV FLUSH VALVES WITH CHEMICAL AND CLOG-RESISTANT, TRIPLE FILTER DIAPHRAGM	174
AQUAVANTAGE® AND AQUAFLUSH® CONCEALED REPLACEMENT PARTS - Z6100AV AND Z6100 SERIES	175
AQUAFLUSH® FLUSH VALVES WITH CHEMICAL AND CLOG-RESISTANT DIAPHRAGM	176
AQUAVANTAGE® AND AQUAFLUSH® HYDRAULIC-OPERATED REPLACEMENT PARTS	177
METROFLUSH® REPLACEMENT PARTS	178
BEDPAN WASHER REPLACEMENT PARTS	179
ZTR6200EV SERIES REPLACEMENT PARTS	180
ZEMS-IS SERIES REPLACEMENT PARTS	181
ZEMS CLOSET SERIES REPLACEMENT PARTS	182
ZEMS URINAL VALVE REPLACEMENT PARTS	183
ZEMS G2 SERIES REPLACEMENT PARTS	184
ZEMS G2 SERIES REPLACEMENT PARTS	186
E-Z FLUSH® REPLACEMENT PARTS	187
RETROFLUSH® REPLACEMENT PARTS	188
AQUASENSE® E-Z SENSOR - Z6913-XL AND Z6915-XL FAUCETS REPLACEMENT PARTS	189
AQUASENSE® E-Z SENSOR - Z6920-XL (DECK MOUNT) AND Z6922-XL (BACK MOUNT) FAUCET REPLACEMENT PARTS	190
AQUASENSE® E-Z SENSOR - Z6930-XL FAUCET REPLACEMENT PARTS	191
Z6950 AQUA-FIT® SERIO SERIES® REPLACEMENT PARTS	192

# AQUAPARTS® PARTS AND ASSEMBLIES

## A – Flush Tubes with Vacuum Breaker for AquaVantage® and Aquaflush® Flush Valves

\*\*NOTE: Not Stock Items – Call Zurn Customer Care for availability and lead times (1-800-997-3876).

PRODUCT NO.	DESCRIPTION	SLOAN ROYAL/REGAL PRODUCT NUMBER	UPC	LIST PRICE
P6000-AA-CP	Vacuum Breaker Nut/Coupling - CP	V-553-A	670240414099	28.00
P6000-AA-RB	Vacuum Breaker Nut/Coupling - RB	-	670240414105	27.00
P6003-A-CP	3/4" x 9" Flush Tube/Vacuum Breaker less Nut - CP	V-500-AA/V-600-AA	670240412781	49.00
P6003-A-AA-CP	3/4" x 9" Flush Tube/Vacuum Breaker with Nut - CP	-	670240412842	76.00
P6003-1-A-CP**	3/4" x 13" Flush Tube/Vacuum Breaker less Nut - CP	-	670240412859	77.00
P6003-1-A-AA-CP**	3/4" x 13" Flush Tube/Vacuum Breaker with Nut - CP	-	670240412910	103.00
P6003-2-A-CP	3/4" x 21" Flush Tube/Vacuum Breaker less Nut - CP	-	670240576568	97.00
P6003-2-A-AA-CP	3/4" x 21" Flush Tube/Vacuum Breaker with Nut - CP	-	670240576551	122.00
P6003-3-A-CP**	3/4" x 24" Flush Tube/Vacuum Breaker less Nut - CP	-	670240412835	106.00
P6003-3-A-AA-CP**	3/4" x 24" Flush Tube/Vacuum Breaker with Nut - CP	-	670240416031	132.00
P6001-A-CP	1-1/4" x 9" Flush Tube/Vacuum Breaker less Nut - CP	V-500-AA/V-600-AA	670240412958	49.00
P6001-A-AA-CP	1-1/4" x 9" Flush Tube/Vacuum Breaker with Nut - CP	-	670240576544	76.00
P6001-1-A-CP**	1-1/4" x 13" Flush Tube/Vacuum Breaker less Nut - CP	V-500-AA/V-600-AA	670240413047	77.00
P6001-1-A-AA-CP**	1-1/4" x 13" Flush Tube/Vacuum Breaker with Nut - CP	-	670240576537	103.00
P6001-2-A-CP	1-1/4" x 21" Flush Tube/Vacuum Breaker less Nut - CP	V-500-AA/V-600-AA	670240412934	98.00
P6001-2-A-AA-CP	1-1/4" x 21" Flush Tube/Vacuum Breaker with Nut - CP	-	670240412996	122.00
P6001-3-A-CP**	1-1/4" x 24" Flush Tube/Vacuum Breaker less Nut - CP	-	670240415836	106.00
P6001-3-A-AA-CP**	1-1/4" x 24" Flush Tube/Vacuum Breaker with Nut - CP	-	670240416048	132.00
P6000-A-CP	1-1/2" x 9" Flush Tube/Vacuum Breaker less Nut - CP	V-500-AA/V-600-AA	670240414136	49.00
P6000-A-AA-CP	1-1/2" x 9" Flush Tube/Vacuum Breaker with Nut - CP	-	670240414198	76.00
P6000-1-A-CP	1-1/2" x 13" Flush Tube/Vacuum Breaker less Nut - CP	V-500-AA/V-600-AA	670240414426	77.00
P6000-1-A-AA-CP	1-1/2" x 13" Flush Tube/Vacuum Breaker with Nut - CP	-	670240414488	103.00
P6000-2-A-CP	1-1/2" x 21" Flush Tube/Vacuum Breaker less Nut - CP	V-500-AA/V-600-AA	670240576278	97.00
P6000-2-A-AA-CP	1-1/2" x 21" Flush Tube/Vacuum Breaker with Nut - CP	-	670240414464	122.00
P6000-3-A-CP	1-1/2" x 24" Flush Tube/Vacuum Breaker less Nut - CP	V-500-AA/V-600-AA	670240576292	106.00
P6000-3-A-AA-CP	1-1/2" x 24" Flush Tube/Vacuum Breaker with Nut - CP	-	670240576285	132.00
P6000-30-A-CP	1-1/2" x 30" Flush Tube/Vacuum Breaker less Nut - CP	-	670240414259	114.00
P6000-30-A-AA-CP	1-1/2" x 30" Flush Tube/Vacuum Breaker with Nut - CP	-	670240414242	141.00
P6000-36-A-CP	1-1/2" x 36" Flush Tube/Vacuum Breaker less Nut - CP	-	670240414174	125.00
P6000-36-A-AA-CP	1-1/2" x 36" Flush Tube/Vacuum Breaker with Nut - CP	-	670240414167	149.00
P6003-A-RB**	3/4" x 9" Flush Tube/Vacuum Breaker less Nut - RB	-	670240412729	60.00
P6003-10-A-RB	3/4" x 10" Flush Tube/Vacuum Breaker less Nut - RB	-	670240412804	63.00
P6003-1-A-RB	3/4" x 13" Flush Tube/Vacuum Breaker less Nut - RB	-	670240412798	64.00
P6001-10-A-RB	1-1/4" x 10" Flush Tube/Vacuum Breaker less Nut - RB	-	670240413054	63.00
P6000-A-RB**	1-1/2" x 9" Flush Tube/Vacuum Breaker less Nut - RB	-	670240414082	64.00
P6000-1-A-RB**	1-1/2" x 13" Flush Tube/Vacuum Breaker less Nut - RB	V-500-AA/V-600-AA	670240414433	61.00
P6000-2-A-RB	1-1/2" x 21" Flush Tube/Vacuum Breaker less Nut - RB	-	670240414419	78.00
P6000-3-A-RB**	1-1/2" x 24" Flush Tube/Vacuum Breaker less Nut - RB	-	670240414228	80.00
P6000-17-A-RB**	1-1/2" x 17" Flush Tube/Vacuum Breaker less Nut - RB	-	670240433496	72.00
P6000-30-A-RB**	1-1/2" x 30" Flush Tube/Vacuum Breaker less Nut - RB	V-500-AA/V-600-AA	670240414266	90.00
P6000-18A-01.5	1-1/2" x 18" Flush Tube with 1-1/2" Offset	-	670240415584	159.00
P6000-22A-01.0**	1-1/2" x 22" Flush Tube with 1" Offset	-	670240414297	176.00
P6000-22A-01.5**	1-1/2" x 22" Flush Tube with 1-1/2" Offset	-	670240244535	176.00
P6000-22A-2.0**	1-1/2" x 22" Flush Tube with 2" Offset	-	670240414310	176.00
P6000-24A-01.0	1-1/2" x 24" Flush Tube with 1" Offset	-	670240414327	178.00
P6000-24A-01.5	1-1/2" x 24" Flush Tube with 1-1/2" Offset	-	670240449657	178.00
P6000-24A-02.0	1-1/2" x 24" Flush Tube with 2" Offset	-	670240414334	178.00

**B – Vacuum Breaker Repair Kits for AquaVantage® and Aquaflush®**

PRODUCT NO.	DESCRIPTION	SLOAN ROYAL/REGAL PRODUCT NUMBER	UPC	LIST PRICE
P6000-B-HP	High Pressure Vacuum Breaker Repair Kit	V-651-A	670240380097	12.00
P6003-B-HP	High Pressure Vacuum Breaker Repair Kit (For Urinals)	V-651-A	670240380097	12.00

**C, D – Control Stop Kits for AquaVantage® and Aquaflush®**

PRODUCT NO.	DESCRIPTION	SLOAN ROYAL/REGAL PRODUCT NUMBER	UPC	LIST PRICE
P6000-C-SD-CP	1" SD Stop - CP	H-600-A/H-700-A	670240414075	103.00
P6000AV-C-SD-CP	1" SD Stop - CP with Vandal-Resistant Cover (AV)	-	670240585119	111.00
P6003AV-C-SD-CP	3/4" SD Stop - CP with Vandal-Resistant Cover (AV)	-	670240546097	111.00
P6000-C-WH-CP	1" WH Stop - CP	H-600-A/H-700-A	670240418288	111.00
P6000-C-WH-RB	1" WH Stop - RB	H-600-A/H-700-A	670240414013	104.00
P6000-CG-SD-CP	1" SD GJ Straight Stop - CP	H-650-AG/H-750-A	670240413948	136.00
P6000-CG-WH-CP	1" WH GJ Straight Stop - CP	H-650-AG/H-750-AG	670240418233	136.00
P6003-C-SD-CP	3/4" SD Stop - CP	-	670240412736	103.00
P6003-C-WH-CP	3/4" WH Stop - CP	H-600-A/H-700-A	670240417137	111.00
P6003-C-WH-RB	3/4" WH Stop - RB	H-600-A/H-700-A	670240412743	104.00
P6000-C30	Snap Ring/Lock Ring	-	670240410411	4.00
P6000-C31	O-Ring for Tailpiece	H-553	670240414020	4.00
P6000-C32-CP	Stop Nut/Coupling - CP	-	670240414037	16.00
P6000-C32-RB	Stop Nut/Coupling - RB	-	670240426337	12.00
P6000-C32-G-CP	Stop Nut/Coupling GJ - CP	H-6	670240418240	16.00
P6000-C32-G-RB	Stop Nut/Coupling GJ - RB	H-6	670240418257	14.00
P6000-C33	Stop Snap Cap Screw Cover	-	670240414044	6.00
P6000-C34-CP	Stop Cap/Bonnet - CP	-	670240414068	20.00
P6000-C34-YO	Stop Cap with YO	-	670240414006	27.00
P6000-C34-RB	Stop Cap/Bonnet - RB	-	670240390720	19.00
P6000-D35	Adjusting Screw	-	670240413993	6.00
P6000-C33-WH	Wheel Handle with Handle Screw	-	670240414051	6.00
P6000-D-SD	SD Stop Valve Repair Kit - 1"	H-541-AA	670240576322	23.00
P6000-D-WH	WH Stop Valve Repair Kit - 1"	-	670240413986	29.00
P6003-D-SD	SD Stop Valve Repair Kit - 3/4"	-	670240576575	23.00
P6003-D-WH	WH Stop Valve Repair Kit - 3/4"	-	670240412774	29.00
P6000-D42	Seal/Plug Seat for 1" and 3/4"	H-584	670240413887	5.00
PS6003-C33	3/4" Cap CP - H582 - Royal	-	670240415171	25.00
PS6003-D	3/4" Stop Valve Repair Kit - H543AA - Royal	-	670240415188	23.00
P6000-VC	Vandal-Resistant Control Stop Cover - 1" and 3/4" Zurn	-	670240413191	25.00
P6000-VC-W-VP	Vandal-Resistant Control Stop Cover Wrench	-	670240538443	4.00
P6000-VC-SS	Setscrew for VC Cover	-	670240452428	4.00

## E – Internal Kits and Assemblies

PRODUCT NO.	DESCRIPTION	SLOAN ROYAL/REGAL PRODUCT NUMBER	UPC	LIST PRICE
<b>AquaVantage® Diaphragm Kits</b>				
NOTE: Standard Packaging – Items are boxed. For Plastic Clam Shell Packaging Order Suffix -CS (Ex: P6000-ECA-WS1-CS or P6000-ECA-WS1-RK-CS). Rebuild Kit Contains: Valve Repair Kit, Handle Repair Kit, Vacuum Breaker Repair Kit and Tailpiece O-Ring.				
P6000-ECA-FF	Closet Repair Kit Chemical and Clog Resistant Filter - 4.5 gal.	–	670240538580	85.00
P6000-ECA-HET	Closet Repair Kit Chemical and Clog Resistant Filter - 1.28 gal.	–	670240364400	85.00
P6000-ECA-ONE	Closet Repair Kit Chemical and Clog Resistant Filter - 1.1 gal.	–	889934109818	85.00
P6000-ECA-WS	Closet Repair Kit Chemical and Clog Resistant Filter - 3.5 gal.	A-1038-A	670240507999	85.00
P6000-ECA-WS1	Closet Repair Kit Chemical and Clog Resistant Filter - 1.6 gal.	A-1041-A	670240507852	85.00
P6000-ECA-PWS	Closet Repair Kit Chemical and Clog Resistant Filter - 2.4 gal.	A-1044-A	670240547742	85.00
P6000-EUA-FF	Urinal Repair Kit Chemical and Clog Resistant Filter - 3.0 gal.	–	670240530638	85.00
P6000-EUA-ULF	Urinal Repair Kit Chemical and Clog Resistant Filter - 0.125 gal.	A-1050-A	670240384835	85.00
P6000-EUA-WS	Urinal Repair Kit Chemical and Clog Resistant Filter - 1.5 gal.	A-1037-A	670240522169	85.00
P6000-EUA-WS1	Urinal Repair Kit Chemical and Clog Resistant Filter - 1.0 gal.	A-1042-A	670240507876	85.00
P6000-EUA-EWS	Urinal Repair Kit Chemical and Clog Resistant Filter - .5 gal.	A-1043-A	670240585911	85.00
<b>AquaVantage® Flush Valve Advantage Rebuild Kits</b>				
NOTE: Standard Packaging – Items are boxed. For Plastic Clam Shell Packaging Order Suffix -CS (Ex: P6000-ECA-WS1-CS or P6000-ECA-WS1-RK-CS). Rebuild Kit Contains: Valve Repair Kit, Handle Repair Kit, Vacuum Breaker Repair Kit and Tailpiece O-Ring.				
P6000-ECA-FF-RK	Closet Rebuild Kit - 4.5 gal.	–	670240546110	101.00
P6000-ECA-HET-RK	Closet Rebuild Kit - 1.28 gal.	–	670240386914	101.00
P6000-ECA-WS-RK	Closet Rebuild Kit - 3.5 gal.	A-1102-A	670240533097	101.00
P6000-ECA-WS1-RK	Closet Rebuild Kit - 1.6 gal.	A-1101-A	670240531390	101.00
P6000-ECA-PWS-RK	Closet Rebuild Kit - 2.4 gal.	A-1103-A	670240585935	101.00
P6000-EUA-FF-RK	Urinal Rebuild Kit - 3.0 gal.	–	670240544802	101.00
P6000-EUA-ULF-RK	Urinal Rebuild Kit - 0.125 gal.	–	670240685116	101.00
P6000-EUA-WS-RK	Urinal Rebuild Kit - 1.5 gal.	A-1108-A	670240533103	101.00
P6000-EUA-WS1-RK	Urinal Rebuild Kit - 1.0 gal.	A-1107-A	670240533110	101.00
P6000-EUA-EWS-RK	Urinal Rebuild Kit - .5 gal.	A-1106-A	670240596740	101.00
<b>Aquaflush® Diaphragm Kits</b>				
P6000-ECR-FF	Closet Repair Kit - 4.5 gal.	A-36-A	670240552135	73.00
P6000-ECR-ONE	Closet Repair Kit - 1.1 gal.	–	–	73.00
P6000-ECR-WS	Closet Repair Kit - 3.5 gal.	A-38-A	670240552081	73.00
P6000-ECR-WS1	Closet Repair Kit - 1.6 gal.	A-41-A	670240552098	73.00
P6000-ECR-PWS	Closet Repair Kit - 2.4 gal.	A-44-A	670240574601	73.00
P6000-EUR-FF	Urinal Repair Kit - 3.0 gal.	–	670240552142	73.00
P6000-EUR-ONE	Urinal Repair Kit - 0.125 gal.	–	–	73.00
P6000-EUR-WS	Urinal Repair Kit - 1.5 gal.	A-37-A	670240552104	73.00
P6000-EUR-WS1	Urinal Repair Kit - 1.0 gal.	A-42-A	670240552111	73.00
P6000-EUR-EWS	Urinal Repair Kit - .5 gal.	A-43-A	670240564824	73.00
<b>Aquaflush® Flush Valve Rebuild Kits</b>				
NOTE: Standard Packaging – Items are boxed. For Plastic Clam Shell Packaging Order Suffix -CS (Ex: P6000-ECA-WS1-CS or P6000-ECA-WS1-RK-CS). Rebuild Kit Contains: Valve Repair Kit, Handle Repair Kit, Vacuum Breaker Repair Kit and Tailpiece O-Ring.				
P6000-ECR-FF-RK	Rebuild Kit for 4.5 gal. Closet	–	670240553903	83.00
P6000-ECR-WS-RK	Rebuild Kit for 3.5 gal. Closet/Urinal	–	670240554320	83.00
P6000-ECR-WS1-RK	Rebuild Kit for 1.6 gal. Closet	–	670240553880	83.00
P6000-ECR-PWS-RK	Rebuild Kit for 2.4 gal. Closet	–	670240596979	83.00
P6000-EUR-FF-RK	Rebuild Kit for 3.0 gal. Urinal	–	670240564152	83.00
P6000-EUR-WS-RK	Rebuild Kit for 1.5 gal. Urinal	–	670240553804	83.00
P6000-EUR-WS1-RK	Rebuild Kit for 1.0 gal. Urinal	–	670240552623	83.00
P6000-EUR-EWS-RK	Rebuild Kit for .5 gal. Urinal	–	670240596986	83.00

PRODUCT NO.	DESCRIPTION	SLOAN ROYAL/REGAL PRODUCT NUMBER	UPC	LIST PRICE
<b>Aquaflush® Flush Valve Rebuild Kits*</b>				
NOTE: Standard Packaging – Items are boxed. For Plastic Clam Shell Packaging Order Suffix -CS (Ex: P6000-ECA-WS1-CS or P6000-ECA-WS1-RK-CS). Rebuild Kit Contains: Valve Repair Kit, Handle Repair Kit, Vacuum Breaker Repair Kit and Tailpiece O-Ring.				
P6000-EC13	Trip Mechanism/Relief Valve for Closet	A-19-AC	670240576391	31.00
P6000-EU13	Trip Mechanism/Relief Valve for Urinal	A-19-AU	670240576476	31.00
P6000-E14	Molded Disc	A-15-A	670240576339	27.00
P6000-EG	Guide Assembly - Old Style with Reversible Flow Ring (For Black Segmented Diaphragm)	A-163-A	670240576421	26.00
P6000-EG-WS1	Low Consumption Guide Assembly - LC - 1.6 gal. - Old Style	A-151-A	670240576438	26.00
P6000-EGU-WS1	Low Consumption Guide Assembly - 1.0 gal. Urinal - Old Style	-	670240416130	26.00
P6000-EGR	Guide Assembly with 3 Flow Rings for Aquaflush Chemical Resistant Diaphragm	-	670240596993	26.00
P6000-EUR-FP	Foot Pedal Repair Kit - Urinal	A-40-A	670240597006	73.00
P6000-ECR-FP	Foot Pedal Repair Kit - Closet	A-39-A	670240554009	73.00
P6000-EER	Diaphragm Repair Kit	A-156-AA	670240553798	31.00
P6000-ER15	Aquaflush Diaphragm - Chemical Resistant (Light Blue)	A-56-A	670240552128	30.00
P6000-E16	Reversible Flow Ring - Old Style for Black Segmented Diaphragm	-	670240413917	6.00
P6000-E16-WS1	Flow Ring for Closet 1.6 gal. - Old Style for Black Segmented Diaphragm	-	670240450370	6.00
P6000-E16-LP	Flow Ring for Closet 6.0 gal. - Old Style for Black Segmented Diaphragm	-	670240450837	6.00
P6017-ECR	Repair Kit - 6.0 gal	-	670240554092	83.00
P6000-KWIK-TURN	Tool for Disassembling Internal Kits	-	670240622067	19.00

## G, H – Wall Flanges, Spud Connections, and Couplings for AquaVantage® and Aquaflush®

PRODUCT NO.	DESCRIPTION	SLOAN ROYAL/REGAL PRODUCT NUMBER	UPC	LIST PRICE
P6003-G	3/4" Wall Flange	F-7	670240412712	16.00
P6000-G	1" Wall Flange	F-7	670240413702	7.00
P6001-G-TUBE	1-1/4" Tube Flange	F-7	670240412965	16.00
P6000-G-TUBE	1-1/2" Tube Flange	F-7	670240413719	16.00
P6003-H	3/4" Spud Escutcheon and Coupling Assembly	F-5-A	670240412651	43.00
P6001-H	1-1/4" Spud Escutcheon and Coupling Assembly	F-5-A	670240412972	43.00
P6000-H	1-1/2" Spud Escutcheon and Coupling Assembly	F-5-A	670240413658	43.00
P6003-H26	3/4" Fiber Washer	F-3	670240412682	4.00
P6001-H26	1-1/4" Fiber Washer	F-3	670240412866	4.00
P6000-H26	1-1/2" Fiber Washer	F-3	670240413603	4.00
P6003-H27	3/4" Spud Rubber Gasket	F-5	670240412699	4.00
P6001-H27	1-1/4" Spud Rubber Gasket	F-5	670240412873	4.00
P6000-H27	1-1/2" Spud Rubber Gasket	F-5	670240413610	4.00
P6003-H28	3/4" Spud Escutcheon	-	670240412705	14.00
P6001-H28	1-1/4" Spud Escutcheon	-	670240412880	14.00
P6000-H28	1-1/2" Spud Escutcheon	-	670240413627	14.00
P6003-HN-CP	3/4" Spud/Coupling Nut and Gaskets - CP	-	670240412644	17.00
P6001-HN-CP	1-1/4" Spud/Coupling Nut and Gaskets - CP	-	670240412897	17.00
P6000-HN-CP	1-1/2" Spud/Coupling Nut and Gaskets - CP	-	670240413634	17.00
P6003-HN-RB	3/4" Spud/Coupling Nut and Gaskets - RB	-	670240412583	16.00
P6001-HN-RB	1-1/4" Spud/Coupling Nut and Gaskets - RB	-	670240412903	16.00
P6000-HN-RB	1-1/2" Spud/Coupling Nut and Gaskets - RB	-	670240413641	16.00
P6000-HNS-CP	1-1/2" Coupling Nut and P30 Flat Gasket - CP	-	670240413580	17.00
P6000-HNS-RB	1-1/2" Coupling Nut and P30 Flat Gasket - RB	-	670240413528	16.00



## J, K – Tailpiece Extensions and Coupling Nut Assemblies for AquaVantage® and Aquaflush®

PRODUCT NO.	DESCRIPTION	SLOAN ROYAL/REGAL PRODUCT NUMBER	UPC	LIST PRICE
P6000-J1	Tailpiece Assembly 2-1/8" to Rough-in – 4-1/4" - 5-1/4"	H-551-A	670240413535	31.00
P6000-J2	Tailpiece Assembly 2-3/4" to Rough-in – 5" - 5-3/4"	H-551-A	670240413511	39.00
P6000-J3	Tailpiece Assembly 3-3/8" to Rough-in – 5-1/2" - 6-1/4"	H-551-A	670240413450	45.00
P6000-J4	Tailpiece Assembly 4" to Rough-in – 6" - 7"	H-551-A	670240413467	55.00
P6000-J5	Tailpiece Assembly 4-5/8" to Rough-in – 6-3/4" - 7-1/2"	H-551-A	670240413474	61.00
P6000-J6	Tailpiece Assembly 5-1/4" to Rough-in – 7-1/4" - 8-1/4"	-	670240413481	72.00
P6000-J7	Tailpiece Assembly 5-7/8" to Rough-in – 8" - 8-3/4"	-	670240413498	81.00
P6000-J9	Tailpiece Assembly 1-3/4" to Rough-in – 4-3/4" - 5" (For J10 Adapter)	H-5	670240415690	73.00
P6000-J10	Ground Joint Control Stop Adapter	-	670240413542	57.00
P6000-J11	Tailpiece Adapter Rough-in – 6" - 7-3/4"	-	670240413559	49.00
P6000-J1G-CP	Tailpiece for GJ-CP - 1-3/4"	-	670240597013	26.00
P6000-C30	Snap Ring/Lock Ring	-	670240410411	4.00
P6000-C31	O-Ring for Tailpiece	H-553	670240414020	4.00
P6000-C32-CP	Stop Nut/Coupling - CP	-	670240414037	16.00
P6000-C32-RB	Stop Nut/Coupling - RB	-	670240426337	12.00
P6000-C32-G-CP	Stop Nut/Coupling GJ - CP	H-6	670240418240	16.00
P6000-C32-G-RB	Stop Nut/Coupling GJ - RB	H-6	670240418257	14.00
P6000-FA	AquaVantage®, AquaFlush®, and Metroflush® Tailpiece Filter	-	670240487321	21.00

## L, M – Valve Caps and Handle Parts for AquaVantage® and Aquaflush® Exposed Flush Valves

PRODUCT NO.	DESCRIPTION	SLOAN ROYAL/REGAL PRODUCT NUMBER	UPC	LIST PRICE
P6000-L	Inside Plastic Cover	A-71	670240576483	20.00
P6000-LL-CP	Outside Brass Cover - CP	-	670240413375	51.00
P6000-LL-RB	Outside Brass Cover - RB	-	670240413382	45.00
P6000-LLS	Chrome-Plated Outside Brass Replacement Cover for Sloan Royal and Regal Flush Valves	-	670240587205	51.00
P6000-M-ADA	Handle Assembly for Exposed Valve (ADA Compliant)	B-73-A	670240576506	51.00
P6000-M-ADA-BG-DF	BioCare Dual Flush Handle Assembly	-	670240393141	189.00
P6000-M-AV-ADA	Handle Assembly AV for Exposed Valve	-	670240397408	42.00
P6000-M-ADA-DF	Dual Flush Handle Assembly	-	670240646988	122.00
P6000-M-ADA-BG	BioCare Handle Assembly (ADA Compliant)	-	670240460508	95.00
P6000-MH	Handle Assembly for Exposed Valve (Front)	-	670240415713	39.00
P6000-ML	Small Push Button Assembly for Exposed Valve	C-2-A	670240415751	42.00
P6000-ML3	3" Push Button Assembly for Exposed Valve	C-42-A	670240415768	61.00
P6000-MYW	Foot Pedal Assembly for Exposed Valve	-	670240415805	235.00
P6000-M1-CP	Handle Nut/Coupling - CP	A-6-CP	670240413429	16.00
P6000-M1-RB	Handle Nut/Coupling - RB	A-6-RB	670240415706	14.00
P6000-M4	Handle (Grip Only)	B-32	670240413290	25.00
P6000-M4-ADA	Handle ADA Compliant (Grip Only)	-	670240413306	25.00
P6000-M4-BG	BioCare Handle (ADA Compliant)	-	670240413313	32.00
P6000-ML4	Small Push Button	C-2	670240415782	23.00
P6000-ML3-4	3" Push Button Replacement Kit	C-42	670240415775	56.00
P6000-MYW4	Foot Pedal	C-34	670240418189	101.00
P6000-M9	Seal	B-39-A	670240576513	5.00
P6000-M10	Handle Gasket	A-31	670240413436	4.00
P6000-MK	Handle Repair Kit for Exposed Valve (Side) - Zurn No Leak	B-50-A/B-51-A	670240576520	16.00
P6000-MHK	Handle Repair Kit for Exposed Valve (Front) - Zurn No Leak	C-65-A	670240415720	39.00
P6000-MYWK	Foot Pedal Repair Kit for Exposed Flush Valve	C-33-A	670240553156	153.00

## METRO – Metroflush® Flush Valve Parts

PRODUCT NO.	DESCRIPTION	SLOAN ROYAL/REGAL PRODUCT NUMBER	UPC	LIST PRICE
P6200-EC-WS	Metroflush Repair Kit - Closet 3.5 gal.	-	670240420922	106.00
P6200-EC-WS1	Metroflush Repair Kit - Closet 1.6 gal.	-	670240453319	106.00
P6200-EC-HET	Metroflush Repair Kit - Closet 1.28 gal.	-	670240383340	106.00
P6200-EU-WS	Metroflush Repair Kit - Urinal 1.5 gal.	-	670240520325	106.00
P6200-EU-WS1	Metroflush Repair Kit - Urinal 1.0 gal.	-	670240536876	106.00
P6203-EU-EWS	Metroflush Repair kit - Urinal 0.5 gal.	-	670240382411	106.00
P6200-LL-CG	Cover Gasket Z6200 Series	-	670240574717	6.00
P6200-LL-CP	Outside Brass Cover - CP	-	670240574700	12.00
P6000-M-ADA	Handle Assembly - ADA	B-73-A	670240576506	51.00
P6000-M10	Handle Gasket	A-31	670240413436	4.00
P6000-MK	Handle Repair Kit	B-50-A/B-51-A	670240576520	16.00
P6200-MS	Main Seat for Metro Valve	-	670240451025	16.00

## N – Concealed Valve Actuator Assemblies and Repair Parts for AquaVantage® and Aquaflush®

PRODUCT NO.	DESCRIPTION	SLOAN ROYAL/REGAL PRODUCT NUMBER	UPC	LIST PRICE
<b>Handle Assemblies for Concealed Valves</b>				
NOTE: For access panel application, use -AP suffix				
P6000-N-3.75L	Handle Assembly - 3-3/4" 'L' Dim.	B-12-A	670240418134	176.00
P6000-N-4.75L	Handle Assembly - 4-3/4" 'L' Dim.	B-12-A	670240418141	186.00
P6000-N-5.75L	Handle Assembly - 5-3/4" 'L' Dim.	B-12-A	670240418158	193.00
P6000-N-6.75L	Handle Assembly - 6-3/4" 'L' Dim.	B-12-A	670240418165	204.00
P6000-N-7.75L	Handle Assembly - 7-3/4" 'L' Dim.	B-12-A	670240418103	212.00
P6000-N-8.75L	Handle Assembly - 8-3/4" 'L' Dim.	B-12-A	670240418042	218.00
P6000-N-9.75L	Handle Assembly - 9-3/4" 'L' Dim.	B-12-A	670240418059	231.00
P6000-N-10.75L	Handle Assembly - 10-3/4" 'L' Dim.	B-12-A	670240418196	237.00
P6000-N-11.75L	Handle Assembly - 11-3/4" 'L' Dim.	B-12-A	670240418202	244.00
P6000-N-12.75L	Handle Assembly - 12-3/4" 'L' Dim.	B-12-A	670240418172	255.00
P6000-N-13.75L	Handle Assembly - 13-3/4" 'L' Dim.	B-12-A	670240392861	264.00
P6000-N-14.75L	Handle Assembly - 14-3/4" 'L' Dim.	B-12-A	670240395756	273.00
<b>Small Push Button Assemblies for Concealed Valves</b>				
NOTE: For access panel application, use -AP suffix				
P6000-NL-3.75L	Small Push Button Assembly - 3-3/4" 'L' Dim.	C-9-A	670240413283	185.00
P6000-NL-4.75L	Small Push Button Assembly - 4-3/4" 'L' Dim.	C-9-A	670240417731	192.00
P6000-NL-5.75L	Small Push Button Assembly - 5-3/4" 'L' Dim.	C-9-A	670240417748	203.00
P6000-NL-6.75L	Small Push Button Assembly - 6-3/4" 'L' Dim.	C-9-A	670240417755	211.00
P6000-NL-7.75L	Small Push Button Assembly - 7-3/4" 'L' Dim.	C-9-A	670240417762	217.00
P6000-NL-8.75L	Small Push Button Assembly - 8-3/4" 'L' Dim.	C-9-A	670240417779	231.00
P6000-NL-9.75L	Small Push Button Assembly - 9-3/4" 'L' Dim.	C-9-A	670240417663	235.00
P6000-NL-10.75L	Small Push Button Assembly - 10-3/4" 'L' Dim.	C-9-A	670240416505	243.00
P6000-NL-11.75L	Small Push Button Assembly - 11-3/4" 'L' Dim.	C-9-A	670240417809	254.00

## N – Concealed Valve Actuator Assemblies and Repair Parts for AquaVantage® and Aquaflush®

PRODUCT NO.	DESCRIPTION	SLOAN ROYAL/REGAL PRODUCT NUMBER	UPC	LIST PRICE
P6000-NL-12.75L	Small Push Button Assembly - 12-3/4" 'L' Dim.	C-9-A	670240417816	261.00
P6000-NL-13.75L	Small Push Button Assembly - 13-3/4" 'L' Dim.	C-9-A	670240417823	272.00
P6000-NL-14.75L	Small Push Button Assembly - 14-3/4" 'L' Dim.	C-9-A	670240417724	280.00
<b>Large Push Button Assemblies for Concealed Valves</b>				
NOTE: For access panel application, use -AP suffix				
P6000-NL3-3.75L	3" Push Button Assembly - 3-3/4" 'L' Dim.	C-43-A	670240417670	265.00
P6000-NL3-4.75L	3" Push Button Assembly - 4-3/4" 'L' Dim.	C-43-A	670240417687	274.00
P6000-NL3-5.75L	3" Push Button Assembly - 5-3/4" 'L' Dim.	C-43-A	670240417694	284.00
P6000-NL3-6.75L	3" Push Button Assembly - 6-3/4" 'L' Dim.	C-43-A	670240413214	290.00
P6000-NL3-7.75L	3" Push Button Assembly - 7-3/4" 'L' Dim.	C-43-A	670240417700	300.00
P6000-NL3-8.75L	3" Push Button Assembly - 8-3/4" 'L' Dim.	C-43-A	670240417717	309.00
P6000-NL3-9.75L	3" Push Button Assembly - 9-3/4" 'L' Dim.	C-43-A	670240417595	321.00
P6000-NL3-10.75L	3" Push Button Assembly - 10-3/4" 'L' Dim.	C-43-A	670240450349	328.00
P6000-NL3-11.75L	3" Push Button Assembly - 11-3/4" 'L' Dim.	-	670240462038	351.00
P6000-NL3-12.75L	3" Push Button Assembly - 12-3/4" 'L' Dim.	-	670240541351	361.00
P6000-NL3-13.75L	3" Push Button Assembly - 13-3/4" 'L' Dim.	-	670240596757	373.00
P6000-NL3-14.75L	3" Push Button Assembly - 14-3/4" 'L' Dim.	-	670240571532	378.00
<b>Foot Pedal Assemblies for Concealed Valves</b>				
P6000-NYW-3.75L	Pedal Assembly - 3-3/4" 'L' Dim.	C-40-A	670240417656	318.00
P6000-NYW-4.75L	Pedal Assembly - 4-3/4" 'L' Dim.	C-40-A	670240417526	326.00
P6000-NYW-5.75L	Pedal Assembly - 5-3/4" 'L' Dim.	C-40-A	670240417533	341.00
P6000-NYW-6.75L	Pedal Assembly - 6-3/4" 'L' Dim.	C-40-A	670240417540	350.00
P6000-NYW-7.75L	Pedal Assembly - 7-3/4" 'L' Dim.	C-40-A	670240417557	362.00
P6000-NYW-8.75L	Pedal Assembly - 8-3/4" 'L' Dim.	C-40-A	670240417564	374.00
P6000-NYW-9.75L	Pedal Assembly - 9-3/4" 'L' Dim.	C-40-A	670240417571	387.00
P6000-NYW-10.75L	Pedal Assembly - 10-3/4" 'L' Dim.	C-40-A	670240417601	395.00
P6000-NYW-11.75L	Pedal Assembly - 11-3/4" 'L' Dim.	C-40-A	670240417618	429.00
P6000-NYW-12.75L	Pedal Assembly - 12-3/4" 'L' Dim.	C-40-A	670240417625	443.00
P6000-NYW-13.75L	Pedal Assembly - 13-3/4" 'L' Dim.	C-40-A	670240417632	454.00
P6000-NYW-14.75L	Pedal Assembly - 14-3/4" 'L' Dim.	C-40-A	670240417649	465.00
<b>Miscellaneous Actuator Repair Parts</b>				
P6000-N1	Wall Flange	B-23-A	670240418066	32.00
P6000-N1B	Wall Flange for Access Panel	-	670240418073	76.00
P6000-N1B-W	Wrench for Wall Flange for Access Panel	-	670240459519	50.00
P6000-N3	Adjusting Nut (Flat)	B-24	670240417922	27.00
P6000-N3B	Adjusting Nut (Bell Escutcheon)	-	670240509290	25.00
P6000-M10	Handle Gasket	A-31	670240413436	4.00
P6000-M9	Seal	B-39-A	670240576513	5.00
P6000-M1-RB	Handle Nut/Coupling - RB	A-6-RB	670240415706	14.00
P6000-M4	Handle	B-32	670240413290	25.00
P6000-NK	Repair Kit for Concealed Valve and Concealed Foot Pedal Valve	B-55-A	670240415812	39.00
P6000-ML4	Small Push Button - CP	C-2	670240415782	23.00
P6000-ML3-4	3" Push Button Replacement Kit	C-42	670240415775	56.00
P6000-MYW4	Foot Pedal	C-34	670240418189	101.00
P6000-NYW2	Screw - CP	C-35	670240461154	5.00
P6000-NYW3	Flange with Setscrew	C-40	670240597020	172.00
P6000-C36-RB	Handle Nut Solid with Gasket for Concealed Valves - RB	-	670240529809	12.00

## ORK – E-Z Flush®/Optima Plus Change-Out Kits

To Change Out a Sloan G2 Optima Plus or Optima Plus Battery Sensor Flush Valve to a Zurn E-Z Flush Battery-Operated Sensor Flush Valve with Chemical Clog Resistant Diaphragm Kit. Change-Out Kit Includes: E-Z Flush Kit (CPM or CP as ordered), AV Diaphragm Kit, Inside Plastic Cap, and Chrome-Plated Outside Brass Replacement Cover for Sloan Royal/Regal Flush Valves.

PRODUCT NO.	DESCRIPTION	UPC	LIST PRICE
ZERK-ORK-0.125-CPM	E-Z Flush Change-Out Kit for 0.125 gal. Urinal with Chrome Metal Cover	-	1174.00
ZERK-ORK-0.5-CPM	E-Z Flush Change-Out Kit for 0.5 gal. Urinal with Chrome Metal Cover	-	1174.00
ZERK-ORK-1.0-CPM	E-Z Flush Change-Out Kit for 1.0 gal. Urinal with Chrome Metal Cover	670240611603	1174.00
ZERK-ORK-1.28-CPM	E-Z Flush Change-Out Kit for 1.28 gal. Clost with Chrome Metal Cover	-	1174.00
ZERK-ORK-1.5-CPM	E-Z Flush Change-Out Kit for 1.5 gal. Urinal with Chrome Metal Cover	670240611610	1174.00
ZERK-ORK-1.6-CPM	E-Z Flush Change-Out Kit for 1.6 gal. Closet with Chrome Metal Cover	670240611627	1174.00
ZERK-ORK-0.125-CP	E-Z Flush Change-Out Kit for 0.125 gal. Urinal with Chrome Plastic Cover	-	1148.00
ZERK-ORK-0.5-CP	E-Z Flush Change-Out Kit for 0.5 gal. Urinal with Chrome Plastic Cover	-	1148.00
ZERK-ORK-1.0-CP	E-Z Flush Change-Out Kit for 1.0 gal. Urinal with Chrome Plastic Cover	670240611665	1148.00
ZERK-ORK-1.28-CP	E-Z Flush Change-Out Kit for 1.28 gal. Clost with Chrome Plastic Cover	-	1148.00
ZERK-ORK-1.5-CP	E-Z Flush Change-Out Kit for 1.5 gal. Urinal with Chrome Plastic Cover	670240611658	1148.00
ZERK-ORK-1.6-CP	E-Z Flush Change-Out Kit for 1.6 gal. Closet with Chrome Plastic Cover	670240611672	1148.00
-CCP	E-Z Flush Change-Out Kit - Closet with Complete Chrome Plastic Cover (List Adder to -CP)	-	26.00

## M-ORK – Handle/Optima Plus Change-Out Kits

To Change Out a Sloan G2 Optima Plus or Optima Plus Battery Sensor Flush Valve to a Handle-Operated Flush Valve with Chemical Clog Resistant Diaphragm Kit. Handle Change-Out Kit Includes: ADA Handle Assembly, AV Diaphragm Kit, Inside Plastic Cap, and Chrome-Plated Outside Brass Replacement Cover for Sloan Royal/Regal Flush Valves.

PRODUCT NO.	DESCRIPTION	UPC	LIST PRICE
P6000-M-ORK-0.125	Handle Change-Out Kit for 0.125 gal. Urinal	-	198.00
P6000-M-ORK-0.5	Handle Change-Out Kit for 0.5 gal. Urinal	-	198.00
P6000-M-ORK-1.0	Handle Change-Out Kit for 1.0 gal. Urinal	670240611702	198.00
P6000-M-ORK-1.28	Handle Change-Out Kit for 1.28 gal. Closet	-	198.00
P6000-M-ORK-1.5	Handle Change-Out Kit for 1.5 gal. Urinal	670240611719	198.00
P6000-M-ORK-1.6	Handle Change-Out Kit for 1.6 gal. Closet	670240607590	198.00

## P – Diverter Parts for Bedpan Washers

PRODUCT NO.	DESCRIPTION	UPC	LIST PRICE
P6000-P3	Spray Disc (Included in Diverter Repair Kit)	670240413245	7.00
P6000-P4	Spray Disc Screw (Included in Diverter Repair Kit)	670240413252	5.00
P6000-P8	Wall Flange with Setscrew	670240415829	53.00
P6000-P8-1	Support Rod - 5-3/4"	670240430143	30.00
P6000-P8-3	Offset Support Rod	670240643536	30.00
P6000-P15	Bottom Tube	670240420700	29.00
P6000-P50	Optional Wall Plate for ZH Push Button Assembly	670240417519	100.00
P6000-P15-LO	Bottom Tube for Lower Offset	670240429161	72.00
P6000-PN18	Spray Arm Assembly, 12"	670240610750	154.00
P6000-PN19	Spray Arm Repair Kit (Includes O-Ring, Spray Disc, Screen, and Screw)	670240609044	61.00
P6000-PN20	Elbow Assembly	670240618268	132.00
P6000-PN21	Diverter Body	670240612754	198.00
P6000-PN22	Bedpan Diverter Rebuild Kit (Includes P6000-PN19 and P6000-PN20)	670240607835	74.00

## Q – Miscellaneous Flush Connections and Elbows for AquaVantage® and Aquaflush® Concealed Valves

PRODUCT NO.	DESCRIPTION	UPC	LIST PRICE
<b>Flush Connections and Elbows</b>			
P6000-QT1-4-CP	1-1/2" x 4" Flanged Tube - CP	670240417281	20.00
P6000-QT1-6-CP	1-1/2" x 6" Flanged Tube - CP	670240417304	25.00
P6000-QT1-8-CP	1-1/2" x 8" Flanged Tube - CP	670240417328	30.00
P6000-QT1-10-CP	1-1/2" x 10" Flanged Tube - CP	670240417342	34.00
P6000-QT1-12-CP	1-1/2" x 12" Flanged Tube - CP	670240417366	39.00
P6000-QT1-16-CP	1-1/2" x 16" Flanged Tube - CP	670240413177	51.00
P6000-QT1-18-CP	1-1/2" x 18" Flanged Tube - CP	670240417397	70.00
P6000-QT3-4-RB	1-1/2" x 4" Flanged/Scored Tube - RB	670240417243	29.00
P6000-QT3-6-RB	1-1/2" x 6" Flanged/Scored Tube - RB	670240417250	32.00
P6000-QT3-8-RB	1-1/2" x 8" Flanged/Scored Tube - RB	670240417267	38.00
P6000-QT3-10-RB	1-1/2" x 10" Flanged/Scored Tube - RB	670240417205	43.00
P6000-QT3-12-RB	1-1/2" x 12" Flanged/Scored Tube - RB	670240417212	47.00
P6000-QT3-16-RB	1-1/2" x 16" Flanged/Scored Tube - RB	670240417229	62.00
P6000-QT3-18-RB	1-1/2" x 18" Flanged/Scored Tube - RB	670240417236	69.00
P6000-QT4	P30 Flat Gasket	670240417182	12.00
P6000-QE1-CP	1" Street Elbow - CP	670240417472	38.00
P6000-QE2-CP	1" Female x 1" Female Elbow - CP	670240417489	69.00
P6000-QE3-CP	1-1/2" Male x 1-1/2" Male Elbow with Nut and Gaskets - CP	670240413160	61.00
P6000-QE3-RB	1-1/2" Male x 1-1/2" Male Elbow with Nut and Gaskets - RB	670240417496	61.00
P6000-QE5-RB	1-1/4" x 12" Waste Arm - RB	670240417427	45.00
P6000-QE6-RB	3/4" x 3/4" Solder Elbow	670240499409	29.00
<b>Flush Assemblies</b>			
P6000-QFC-1	Z6140 1-1/2" Back Spud Flush Assembly (Specify 'L' Dim.)	-	261.00
P6000-QFC-2	Z6142 1-1/2" Top Spud Flush Assembly (Specify 'L' Dim.)	-	345.00
P6000-QFC-3	Z6143 1-1/2" Back Spud Flush Assembly (Specify 'L' Dim.)	-	215.00
P6000-QFC-4	Z6144 1-1/2" Back Spud Flush Assembly (Specify 'L' Dim.)	-	215.00
P6000-QFC-5	Z6150, ZH6150 Flush Assembly	670240417458	103.00
P6000-QFC-6	Z6152, Z6605, Z6611 1-1/2" Back Spud Flush Assembly (Specify 'L' Dim.)	-	185.00
P6000-QFC-7	Z6154 1-1/2" Back Spud Flush Assembly (Specify 'L' Dim.)	-	239.00
P6000-QFC-8	Z6155 1-1/2" Top Spud Flush Assembly (Specify 'L' Dim.)	670240419469	309.00
P6000-QFC-9	Z6190, ZH6190 1-1/4" Back Spud Flush Assembly (Specify 'L' Dim.)	670240417465	103.00
P6000-QFC-10	Z6195, Z6613, Z6615, ZH6195 3/4" Back Spud Flush Assembly (Specify 'L' Dim.)	670240448094	96.00
P6000-QFC-11	ZH6140 1-1/2" Back Spud Flush Assembly (Specify 'L' Dim.)	-	215.00
P6000-QFC-12	ZH6142 1-1/2" Top Spud Flush Assembly (Specify 'L' Dim.)	670240536722	247.00
P6000-QFC-13	Z6603, Z6616, ZH6152 1-1/2" Back Spud Flush Assembly (Specify 'L' Dim.)	670240420892	163.00
P6000-QFC-14	Z6601 1-1/2" Back Spud Flush Assembly (Specify 'L' Dim.)	-	174.00
P6000-QFC-15	Z6602, Z6609 1-1/2" Back Spud Flush Assembly (Specify 'L' Dim.)	-	163.00
P6000-QFC-16	Z6681 1-1/2" Back Spud Flush Assembly (Specify 'L' Dim.)	-	208.00
P6000-QFC-17	Z6096 - 39" Rough-in - Eastern Style Water Closet - 1-1/4" Flush Assembly	670240417434	247.00
P6000-QFC-18	Z6196 - 39" Rough-in - Eastern Style Water Closet - 1-1/4" Flush Assembly	670240417441	233.00
P6000-QFC-19	Z6197-N 3/4" Top Spud Flush Assembly (Specify 'L' Dim.)	670240448476	278.00
P6000-QFC-21	Z6099 Flush Assembly	670240427853	243.00
P6000-QFC-20	Top Flush Assembly for Z6320AV	670240420045	279.00
P6000-QFC-22	Top Flush Assembly for Z6300AV and Z6310AV	670240517110	279.00
P6000-QFC-23	Bottom Flush Assembly for Z6300AV, Z6310AV, Z6320AV	670240538092	401.00
P6000-QFC-24	Flush Assembly for Z6000 Valves 1-1/2" Top Spud Connection	084169002815	120.00
P6000-QFC-27	Flush Connection for Z6010 Valves	670240619340	196.00
P6000-QFC-28	Water Inlet Connection for Z6010	670240638396	232.00
P6003-QFC-25	Flush Assembly for Z6003 Valves 3/4" Top Spud Connection	670240554139	120.00

## TPO – Trap Primer Parts for AquaVantage® and Aquaflush® Valves

Full Trap Primer Assemblies can be found in the Flush Valve Products section of this price guide.

PRODUCT NO.	DESCRIPTION	UPC	LIST PRICE
P6000-R1	Elbow Insert for Trap Primer (for -WS1 Valves)	670240431539	39.00
P6000-TPE	Trap Primer Elbow (for Concealed Valves)	670240441330	85.00
P6000-TPF	Trap Primer Fittings (for Exposed Valves)	670240448407	60.00

## Y – Miscellaneous Valve Parts and Accessories

PRODUCT NO.	DESCRIPTION	UPC	LIST PRICE
P6000-YB	1" Sweat Solder Kit - Cover Tube and Adaptor - Exposed Flush Valve	670240413139	20.00
P6003-YB	3/4" Sweat Solder Kit - Cover Tube and Adaptor - Exposed Flush Valve	670240412606	20.00
P6000-YBYC	1" Sweat Solder Kit with Cast Wall Flange	670240415959	51.00
P6003-YBYC	3/4" Sweat Solder Kit with Cast Wall Flange	670240415966	51.00
P6000-YBA	1" Sweat Solder Kit - Concealed Flush Valve	670240450424	11.00
P6003-YBA	3/4" Sweat Solder Kit - Concealed Valve	670240419452	11.00
P6000-YC	1" Cast Wall Flange	670240413115	32.00
P6003-YC	3/4" Cast Wall Flange	670240412620	32.00
P6000-YJ	5" C to E Split Ring Pipe Support	670240413122	73.00
P6000-YJ8	8" C to E Split Ring Pipe Support	670240413061	85.00
P6000-YJ12	12" C to E Split Ring Pipe Support	670240417175	101.00
P6000-YK	5" C to E Solid Ring Pipe Support	670240413009	73.00
P6000-YK8	8" C to E Solid Ring Pipe Support	670240413016	85.00
P6000-YK12	12" C to E Solid Ring Pipe Support	670240417144	101.00
P6000-YB-CVR	1" Cover Tube for Sweat Solder Kit (3" Long)	670240413078	19.00
P6000-YB-CVR7	1" Cover Tube for Sweat Solder Kit (7" Long)	670240413092	30.00
P6000-YB-CVR36	1" Cover Tube for Sweat Solder Kit (36" Long)	670240413085	128.00
P6003-YB-CVR	3/4" Cover Tube for Sweat Solder Kit (3" Long)	670240417090	19.00
P6003-YB-CVR7	3/4" Cover Tube for Sweat Solder Kit (7" Long)	670240412613	30.00
P6003-YB-CVR36	3/4" Cover Tube for Sweat Solder Kit (36" Long)	670240433229	128.00
P6000-19	Valve Body Only - CP	670240449077	96.00
P6000-19-RB	Valve Body Only - RB	670240502215	58.00
P6000-19-J1	Valve Body with -J1 Tailpiece - CP	670240459694	126.00
P6000-YE	Cover Tube and Adapter for -YB Kit - 1"	670240417151	20.00
P6003-YE	Cover Tube and Adapter for -YB Kit - 3/4"	670240441163	20.00
P6000-YO	Bumper on Control Stop	670240413023	45.00
P6000-YH	One Wall Bumper	670240416260	27.00
P6199-SC-1	1" Long VP Screw and Escutcheon for Access Panel	670240433519	7.00
P6199-SC-2	2" Long VP Screw and Escutcheon for Access Panel	670240504684	11.00
P6199-VPW	Wrench for Z6199 Access Panel Screws	670240425637	4.00

## ZH – Hydraulic Series Flush Valve Repair Kits and Parts for AquaVantage® and Aquaflush® Valves

PRODUCT NO.	DESCRIPTION	UPC	LIST PRICE
<b>Push Button Assemblies</b>			
PH6000-HYA-FW	Hydraulic Actuator Assembly - Fixture Wall	670240419049	92.00
PH6000-HYA-SW	Hydraulic Actuator Assembly - Side Wall	670240419056	122.00
PH6000-HYL-MB	Hydraulic Metal Push Button Assembly	670240414815	171.00
PH6000-HYL3-FW	Hydraulic Large Push Button Assembly - Fixture Wall	670240414822	131.00
PH6000-HYLP-MBP	Hydraulic Metal Push Button for Penal Use	670240419063	171.00
PH6000-SHYL3-SW	Hydraulic Large Push Button Assembly - Side Wall	670240419087	208.00
<b>Repair Parts</b>			
PH6000-HY9	Mounting Plate	670240419032	51.00
PH6000-HY8	Securing Nut	670240419025	7.00
PH6000-HY6	Escutcheon for Small Push Button	670240419001	32.00
PH6000-HY7	Escutcheon for Large Push Button	670240419018	58.00
PH6000-HY10	Spring for Small Push Button	670240418844	5.00
PH6000-HY17	Spring for Large Push Button	670240418882	5.00
PH6000-HY11	Spacer for Large Push Button	670240414730	16.00
PH6000-HY12	Small Push Button	670240418851	23.00
PH6000-HY15	Large Push Button	670240418868	11.00
PH6000-HY1	1/8" Compression Fitting for Actuator Body (2 Req'd.) - Fixture Wall	670240414723	12.00
PH6000-HY32	1/8" 90° Compression Fitting for Actuator Body - Side Wall	670240418974	14.00
PH6000-HY2	1/16" Compression Fitting for Flush Valve Body	670240414754	17.00
PH6000-HYA11	Repair Kit for Hydraulic Actuator	670240414808	11.00
PH6000-HYM	Hydraulic Plunger Assembly	670240414839	90.00
PH6000-HYM11	Repair Kit for Hydraulic Plunger Assembly	670240419070	61.00
PH6000-HY18	Handle Assembly Gasket (2 Req'd.)	670240418899	4.00
PH6000-HY19	Chrome Cover Plate - For Supply and Return - CP	670240414747	99.00
PH6000-HY20	Supply Cover Tube - CP 3-3/8" Long	670240418905	17.00
PH6000-HY20L	Supply Cover Tube for Floor Mounted Closet - CP 4-5/8" Long	670240454118	45.00
PH6000-HY21	Return Cover Tube - CP 2-3/4" Long	670240418912	17.00
PH6000-HY21L	Return Cover Tube for Floor Mounted Closet - CP 4" Long	670240454101	45.00
PH6000-HY22	Supply Cover Tube Ring with Setscrew	670240416468	23.00
PH6000-HY23	Return Cover Tube Ring with Setscrew	670240416451	23.00
PH6000-HY24	Setscrew for Rings	670240418929	4.00
PH6000-HY25	1/4" Black Supply Tube 36" Long	670240414761	19.00
PH6000-HY26	1/4" Clear Return Tube 36" Long	670240414778	19.00
PH6000-HY29	Support Plate	670240418950	19.00
PH6000-HY27	Threaded Rod - Included in PH6000-HY29A	670240418936	6.00
PH6000-HY28	Nut (2 Req'd.) - Included in PH6000-HY29A	670240418943	4.00
P6000-P50	Optional P50 Wall Plate	670240417519	100.00
PH6000-HY35	Vandal-Resistant Hex Socket Head Screw for Cover Plate - 1/2"	670240414792	5.00
PH6000-HY36	Ferrule for 1/8" Compression Fitting	670240456280	4.00
PH6000-HY37	Ferrule for 1/16" Compression Fitting	670240456631	4.00
PH6000-HY40	Flat Support Bracket	670240455580	14.00

**ZEMS – AquaSense® ZEMS Electronic Sensor Replacement Parts**

PRODUCT NO.	DESCRIPTION	UPC	LIST PRICE
PEMS6000-26	Sensor for Closet ZEMS	670240515246	450.00
PEMS6000-26A	Sensor for Urinal ZEMS	670240526716	450.00
PEMS6000-CON-KIT	Conversion Kit For ZEMS - Concealed Valves	670240526747	953.00
PEMS6000-CON-KIT-IS	Conversion Kit For ZEMS - Exposed Valves	670240622579	953.00
PEMS6000-HYM	Actuator Assembly for ZEMS Valves - Concealed	670240511583	484.00
PEMS6000-HYM-IS	Actuator Assembly for ZEMS Valves - Exposed	670240601673	529.00
PEMS6000-HYM-IS-FM12	Actuator Assembly for 12" rough in	670240605176	586.00
PEMS6000-FM12	Extended Cable and Rod for 12" Floor Mount Rough-In	670240528192	90.00
PEMS6000-G	Wall Flange	670240587274	38.00
PEMS6000-G-SS	Wall Flange Setscrew	670240641112	5.00
PH6000-HY35	Vandal-Resistant Hex Socket Head Screw for Cover Plate - 1/2"	670240414792	5.00
PESS6000-22	Closet Sensor Cover Plate with Override Hole 4 x 4	670240412415	100.00
PESS6000-22A	Urinal Sensor Cover Plate 2 x 4	670240412354	61.00
PESS6000-22B	Closet Sensor Cover Plate without Override Hole 4 x 4	670240452411	102.00
PESS6000-22C	Closet Sensor Cover Plate - Solid - No Holes - 4 x 4	670240462137	102.00
PESS6000-22D	Urinal Sensor Cover Plate - Solid - No Holes - 2 x 4	670240523685	61.00
PESS6000-23	Closet Bracket	670240418769	6.00
PESS6000-24	Override Push Button Assembly	670240412279	49.00
PESS6000-25	Yoke	670240418776	17.00
PESS6000-27	Bracket Screws (Set of 2)	670240412309	4.00
PESS6000-28	Yoke Screws (Set of 2)	670240418783	4.00
P6000-PC6	6 VDC Power Converter	670240413153	76.00
P6000-HW6	Hardwire Power Converter for ZEMS and ZESS Flush Valves	670240533608	144.00
PEMS6000-IS-CW	Connecting Wire for ZEMS-IS Assembly – 10' Long	670240609303	19.00
P6000-MJ	Mini Junction Box	670240419803	242.00

**ZERK – AquaSense® E-Z Flush Battery Sensor Replacement Parts**

PRODUCT NO.	DESCRIPTION	UPC	LIST PRICE
PERK6000-BD	Battery Drawer	670240534360	29.00
PERK6000-CWR	Handle Nut Wrench	670240478695	29.00
PERK6000-L-CPCR	Chrome Plastic Cover (New Style Round Lens)	670240586062	49.00
PERK6000-L-CPMCR	Chrome Metal Cover (New Style Round Lens)	670240596764	148.00
PERK6000-RK	Repair Kit (Includes: O-Ring, Courtesy Button Cap, Collar Gasket, Rod, Seal)	-	38.00
PERK6000-SCR	Replacement Sensor Lens (New Style Round Lens)	670240606630	31.00
PERK6000-W	Allen Wrench	670240534919	12.00
PERK6000-SR	Sensor Module (New Style Round Lens)	670240602359	392.00
PERK6000-BUTTON	Manual Override Replacement Button	670240576193	6.00
PERK6000-BUTTON-HARD	Hard Plastic Manual Override Button for EZ CPM	670240664609	8.00
PERK6000-MRK	Plunger Assembly Repair Kit	670240620438	63.00
PERK6000-W-TC	Hollow Hex Wrench for Pin Battery Screw	670240623910	12.00
PERK6000-MO	Motor Operator for Concealed E-Z Flush	670240649422	343.00



## ZR – AquaSense® RetroFlush® Battery Sensor Replacement Parts

PRODUCT NO.	DESCRIPTION	UPC	LIST PRICE
PR6000-5	Sensor Lens Screws	670240414846	4.00
PR6000-B	Solenoid Valve Retainer Clip	670240414853	6.00
PR6000-E13F	Trip Mechanism (Riser Tube) with Filter	670240518216	38.00
PR6000-E14	Retainer Disc and Filter Assembly	670240414877	55.00
PR6000-EC-FF	Closet Replacement Kit - 4.5 gal.	670240414884	103.00
PR6000-EC-WS	Water-Saving Closet Replacement Kit - 3.5 gal.	670240414891	103.00
PR6000-EC-WS1	Low-Consumption Closet Replacement Kit - 1.6 gal.	670240576599	103.00
PR6000-EC25	Black Volume Control - 4.5 GpF	670240414914	7.00
PR6000-EC25-WS	White Volume Control - 3.5 GpF	670240414921	7.00
PR6000-EC25-WS1	Orange Volume Control - 1.6 GpF	670240414938	7.00
PR6000-EG	Guide Assembly	670240414945	16.00
PR6000-EG-WS1	Guide Assembly - 1.6 gal.	670240414952	30.00
PR6000-EU	Urinal Replacement Kit - 3.0 gal.	670240414969	103.00
PR6000-EU-WS	Water-Saving Urinal Replacement Kit - 1.5 gal.	670240414976	103.00
PR6000-EU-WS1	Low-Consumption Urinal Replacement Kit - 1.0 gal.	670240576605	103.00
PR6000-EU25	Orange Volume Control - 3.0 GpF	670240414990	7.00
PR6000-EU25-WS	Green Volume Control - 1.5 GpF	670240415003	7.00
PR6000-EU25-WS1	Yellow Volume Control - 1.0 GpF	670240415010	7.00
PR6000-K25	Set of Volume Controls (One Each)	670240415027	20.00
PR6000-M	Solenoid Valve Replacement Kit - Includes Solenoid, Quad Ring, Retainer Cli, -M10 Handle Gasket and Grease	670240415034	117.00
PR6000-M9A	Solenoid O-Ring	670240415041	4.00
PR6000-MB	Battery Holder with Connecting Cable	670240576612	27.00
PR6000-MBB	Battery Holder with Connecting Cable with Batteries	670240415065	31.00
PR6000-RP	Retro Plug	670240415096	5.00
PR6000-SC3	Sensor Screws	670240415119	4.00
PR6000-SH	Sensor Kit - Closet	670240415126	445.00
PR6000-SL	Sensor Kit - Urinal	670240415140	445.00
PR6000-SH-DF	Sensor Kit - Dual Flush Closet	670240478510	518.00
PR6000-E15A	Retroflush Diaphragm	670240515222	30.00
PR6000-23A	Metal Cover Screw and O-Ring	670240526631	16.00
PR6000-W	Vandal-Resistant Cover Wrench	670240576636	12.00
PR6000-20-G3	O-Ring Seal for Metal Cover - Oval G3	670240554948	6.00
PR6000-MC-G3	Oval Style Metal Cover - G3	670240543980	72.00
PR6000-MC-OB-G3	Oval Style Metal Cover with Override Button - G3	670240535527	72.00
PR6000-E13F-1	Quad Ring for Filtered Riser Tube	670240527041	4.00
PR6000-KIT	RetroFlush Repair Kit (Includes Solenoid Valve, Filtered Riser Tube, Diaphragm, Handle Gasket, Retainer Clip, Battery Connecting Cable, Silicone Lubricant and Instruction Sheet)	670240535619	179.00

## ZTS – EcoVantage® Battery Sensor Flush Valves – ZTS Series

PRODUCT NO.	DESCRIPTION	UPC	LIST PRICE
PTS6200-EL	DISCONTINUED - Electronics LENS ASSEMBLY	670240377905	251.00
PTS6200-LL-CP	Valve Cover	670240378230	51.00
PTS6200-M	Solenoid Assembly	670240384750	106.00
PTS6200-SK	Solenoid Assembly Screws (6); Hex Head	670240378261	45.00
PTS6200-24	Manual Override Button Assembly	670240261655	67.00
PTS6200-J1	2.18" Tailpiece	670240385177	29.00
PTS6200-J2	2.8" Tailpiece	670240365025	33.00
PTS6200-J3	3.44" Tailpiece	670240364639	43.00
PTS6200-J4	4.06" Tailpiece	670240364646	74.00
PTS6200-J5	4.68" Tailpiece	670240441965	56.00
PTS6200-HET	ZTS Piston Assembly	670240378247	93.00
PTS6200-PC	Piston, Cover & Solenoid with Screws	670240378278	146.00
PTS6200-PISTON-RK	ZTS Piston Repair Kit	670240451841	136.00

## ZTR – EcoVantage® Battery Sensor Flush Valves – ZTR Series

PRODUCT NO.	DESCRIPTION	UPC	LIST PRICE
PTR6200-24	Manual Override Button Assembly	670240796690	51.00
PTR6200-EC	ZTR Piston Kit	670240796546	73.00
PTR6200-HAS	Valve Housing	-	327.00
PTR6200-L-S	Cover Screw	670240796720	27.00
PTR6200-M	Solenoid Replacement Kit	670240796539	100.00
PTR6200-M-RING	Flange O-Ring	670240796706	20.00
PTR6200-M-S	Flange Screw	670240796713	27.00
PTR6200-L-1.28	1.28 gpf Valve Cap	670240809123	344.00
PTR6200-L-1.6	1.6 gpf Valve Cap	670240809239	344.00
PTR6200-L-1.1	1.1 gpf Valve Cap	670240045095	344.00
PTR6200-L-1.0	1.0 gpf Valve Cap	670240809222	344.00
PTR6200-L-0.5	0.5 gpf Valve Cap	670240809215	344.00
PTR6200-L-0.25	0.25 gpf Valve Cap	-	344.00
PTR6200-L-0.125	0.125 gpf Valve Cap	670240849990	344.00
PTR6200-24	Manual Override Button Assembly	670240796690	51.00
PTR6200-BAT-LITH	Lithium Battery for ZTR Valves	670240846944	67.00
PTR6200-BATT	Sealed Battery Housing	889934001525	67.00
PTR6200-EC	Piston Kit	670240796546	73.00
PTR6200-FA	ZTR Closet 1.1/1.28/1.6 gpf Tailpiece Filter	889934068122	5.00
PTR6200-HSA	Valve Housing	670240793422	327.00
PTR6200-HW-L-0.125	ZTR-HW Sensor Cap Assembly (1.25 gpf)	670240046559	403.00
PTR6200-HW-L-0.25	ZTR-HW Sensor Cap Assembly (0.25 gpf)	670240046610	403.00
PTR6200-HW-L-0.5	ZTR-HW Sensor Cap Assembly (0.5 gpf)	670240046283	403.00
PTR6200-HW-L-1.0	ZTR-HW Sensor Cap Assembly (1.0 gpf)	670240045149	403.00
PTR6200-HW-L-1.1	ZTR-HW Sensor Cap Assembly (1.1 gpf)	670240046023	403.00
PTR6200-HW-L-1.28	ZTR-HW Sensor Cap Assembly (1.28 gpf)	670240046054	403.00
PTR6200-HW-L-1.6	ZTR-HW Sensor Cap Assembly (1.6 gpf)	670240046207	403.00
PTR6200-HW-TUBE	ZTR-HW Wire Supply Tube	889934066036	16.00
PTR6200-HW-TUBE-1	ZTR-HW 12" Rough In WH Tube 5.50"	889934101720	16.00
PTR6200-L-0.125	ZTR Replacement for 0.125 Valve	670240849990	344.00
PTR6200-L-0.25	ZTR Replacement for 0.25 Valve	-	344.00
PTR6200-L-0.5	ZTR Replacement for 0.5 Valve	670240809215	344.00
PTR6200-L-1.0	ZTR Replacement for 1.0 Valve	670240809222	344.00
PTR6200-L-1.1	ZTR Sensor Cap Assembly (1.1 gpf)	670240045095	344.00
PTR6200-L-1.28	ZTR Replacement for 1.28 Valve	670240809123	344.00
PTR6200-L-1.6	ZTR Replacement for 1.6 Valve	670240809239	344.00
PTR6200-L-S	Cover Screw	670240796720	27.00
PTR6200-M	Solenoid Replacement KIT	670240796539	100.00
PTR6200-M-RING	Flange O-Ring	670240796706	20.00
PTR6200-M-S	Flange Screw	670240796713	27.00
PTR6203-EU	Piston Kit (0.5/1.0 gpf)	670240841154	35.00
PTR6203-EU-ULF	.125 gal Piston Kit	670240846739	39.00
PTR6203-FA	ZTR Urinal 1.0/0.5 gpf Tailpiece Filter	889934068115	11.00
PTR6203-FA-LF	ZTR Urinal 0.125/0.250 gpf Tailpiece Filter	889934068108	11.00

FLUSH VALVES

FAUCETS

TEMP-GARD®

TUBULAR BRASS

FIXTURES

AQUAPARTS® REPAIR PARTS  
AND ASSEMBLIES

## Z5795 Water Free Urinal Parts

PRODUCT NO.	DESCRIPTION	UPC	LIST PRICE
P5795-1	Strainer for Water Free Urinal	670240666207	43.00
P5795-2	Bell Trap for Water Free Urinal	670240664357	12.00
P5795-3	Bell Trap O-Ring for Water Free Urinal	670240664364	9.00
P5795-4	Ferrule for Water Free Urinal	084169005632	9.00
P5795-5	Ferrule Nut for Water Free Urinal	670240395541	9.00
P5795-6	Ferrule Nut and Ferrule for Water Free Urinal	670240780316	9.00
P5795-7	Flange Gasket for Water Free Urinal	670240395558	16.00
P5795-8	Flange for Water Free Urinal	670240395565	42.00
P5795-9	Flange and Gasket for Water Free Urinal	670240780323	53.00
P5795-10	Strainer Removal Tool for Water Free Urinal	670240391277	74.00
ZGS-128OZ	Gallon Bottle of AquaGreen Sealant for Z5795 Water Free Urinal	670240646926	544.00
ZGS-32OZ	Quart Bottle of AquaGreen Sealant for Z5795 Water Free Urinal	670240646919	184.00
ZGS-04OZ	4 oz. Bottle of AquaGreen Sealant for Z5795 Water Free Urinal	670240646902	25.00

## ZBF – AquaSense® E-Z Sensor-Operated Faucets Replacement Parts

PRODUCT NO.	DESCRIPTION	UPC	LIST PRICE
<b>Aerators for Z6913-XL and Z6915-XL</b>			
P6900-20E	1.5 gpm Standard Vandal-Resistant Aerator (Models Z6913-XL, Z6915-XL, Z6918-XL)	670240606852	45.00
P6900-20E-CG	1.5 gpf LAM STD VP Aerator (MOD 6901,6912,6913,6914,6915,6903-77)	670240356580	45.00
P6900-20F	0.5 gpm Vandal-Resistant Non-Aerated Flow Outlet (Models Z6913-XL and Z6915-XL)	670240600850	45.00
P6900-20J	1.5 gpm Vandal-Resistant Laminar Flow Outlet (Models Z6913-XL and Z6915-XL)	670240245266	45.00
P6900-20K	1.0 gpm Vandal-Resistant Laminar Flow Outlet (Models Z6913-XL and Z6915-XL)	670240252936	45.00
P6900-20L	1.0 gpm Vandal-Resistant Aerator (Models Z6913-XL and Z6915-XL)	670240261204	45.00
P6900-20M	0.35 gpm Vandal-Resistant Non-Aerated Flow Outlet (Models Z6913-XL and Z6915-XL)	670240290334	45.00
P6900-20N	0.5 gpm Laminar Flow Outlet (Models Z6913-XL, Z6915-XL)	670240834163	45.00
P6900-21	Vandal-Resistant Aerator Wrench	670240417014	5.00
<b>Slim Aerators for Z6913-XL and Z6915-XL Series</b>			
P6900-20ES	1.5 gpm Slim Fit Vandal-Resistant Aerator	-	27.00
P6900-20FS	0.5 gpm Slim Fit Vandal-Resistant Non-Aerated Spray Outlet	-	27.00
P6900-20JS	1.5 gpm Slim Fit Vandal-Resistant Laminar Flow Outlet	-	27.00
P6900-20LS	1.0 gpm Slim Fit Vandal-Resistant Flow Outlet	-	27.00
P6900-20MS	0.35 gpm Slim Fit Vandal-Resistant Non-Aerated Spray Outlet	-	27.00
P6900-20WR	Slim Aerator Wrench for P6900-SERIES	889934082494	12.00
<b>Aerators for Z6920-XL and Z6922-XL</b>			
P6900-20E-GN	1.5 gpm Standard Vandal-Resistant Aerator (Models Z6920-XL, Z6922-XL)	670240261389	55.00
P6900-20E-GN-CG	1.5 gpm LAM AER F/6902, 6903-75,6903-76, 6920, 6922	670240356566	55.00
P6900-20F-GN	0.5 gpm Vandal-Resistant Gooseneck Non-Aerated Flow Outlet (Models Z6920-XL and Z6922-XL)	670240609099	55.00
P6900-20-GN	0.5 gpm VANDAL RES. GN AER. F/(6902,6903-75, 6903-76, 6920M)	670240417052	55.00
P6900-20J-GN	1.5 gpm Vandal-Resistant Laminar Flow Gooseneck Outlet (Models Z6920-XL and Z6922-XL)	670240245273	55.00
P6900-20K-GN	1.0 gpm Vandal-Resistant Laminar Flow Gooseneck Outlet (Models Z6920-XL and Z6922-XL)	670240258860	55.00
P6900-20L-GN	1.0 gpm Vandal-Resistant Aerator (Models Z6920-XL and Z6922-XL)	670240442405	55.00
P6900-20M-GN	0.35 gpm Vandal-Resistant Non-Aerated Flow Outlet (Models Z6920-XL and Z6922-XL)	670240709058	55.00
P6900-20N-GN	0.5 gpm Laminar Flow Outlet (Models Z6920-XL)		55.00
P6900-21	Vandal-Resistant Aerator Wrench	670240417014	5.00

PRODUCT NO.	DESCRIPTION	UPC	LIST PRICE
<b>Aerators for Z6930-XL, Z6950-XL, Z6950-XL-IM, Z6951-XL and Z6955-XL</b>			
P6930-20E	1.5 gpm Cache Style Pressure Compensating Aerator	670240809130	27.00
P6930-20F	0.5 gpm Cache Style Non-Aerated Spray Outlet	670240809147	27.00
P6930-20J	1.5 gpm Cache Style Laminar Flow Outlet	670240809154	27.00
P6930-20K	1.0 gpm Cache Style Laminar Flow Outlet	670240809178	27.00
P6930-20L	1.0 gpm Cache Style Aerated Spray Outlet	670240809185	27.00
P6930-20M	0.35 gpm Cache Style Non-Aerated Spray Outlet	670240809192	27.00
P6930-20N	0.5 gpm Cache Style Laminar Flow Outlet	670240834156	27.00
P6930-20WR	Cache Style Aerator VP Wrench for Z6930-XL (Plastic)	670240809208	27.00
<b>Filters, Supply Hoses and Mixing Options for Sensor Faucets</b>			
P6900-IA3	1/2" Female x 3/8" Male Faucet Shank Adapter	670240424104	19.00
P6900-120BC	Composite Filter Assembly	670240847613	27.00
P6900-XL-ADM	Above Deck Mixing Valve	-	428.00
P6900-ADM-1-H4-XL	Lead-Free Above Deck Mixing Valve with CP4 for Z6912,13,20 'H4 Handle	670240861848	474.00
P6900-ADM-1-XL	Lead-Free Above Deck Mixing Valve Mounted on a CP4 Plate	670240861824	416.00
P6900-ADM-2-H4-XL	Lead-Free Above Deck Mixing Valve with CP8 for Z6912,13,20 'H4 Handle	670240861930	494.00
P6900-ADM-2-XL	Lead-Free Above Deck Mixing Valve with CP8 for Z6912, Z6913, Z6920	670240861831	504.00
P6900-ADM-H4-XL	Lead-Free Above Deck Mixing Valve for Z6912,13,20 'H4 Handle	670240861947	528.00
P6900-H4	4" Wristblade Handle for ADM	670240629219	27.00
P6900-XL-MT	Mixing Tee with Filters and Backchecks	-	96.00
P6900-XL-MT-1	Filter and Backcheck Assembly (one) for Mixing Tee	-	38.00
P6900-MV-XL	Lead-Free Mixing Valve with Filter	670240387010	117.00
P6900-MV-4	Backcheck	670240456747	17.00
P6900-MV-5	Ferrule	670240556591	5.00
P6900-MV-6	Nut	670240533653	6.00
P6900-MV-7	Filter Screen	670240539075	15.00
P6900-MV-8	Filter Cap Gasket	670240600041	4.00
P6900-MVF-8	Filter Cap O-Ring	670240456754	4.00
P6900-MV-9	Filter Cap	670240600058	14.00
P6900-MV-ADAP	Mixing Adaptor Assembly	670240847583	19.00
P6900-SH-XL	Lead-Free Supply Hose	670240485471	51.00
P6900-SSH	Single Stainless Supply Hose (3/8" F x 1/2" F x 18")	670240432789	39.00
P6900-SSH-2	Dual Stainless Supply Hose - 3/8" x 3/8" x 12" Long (Supply Hose from Stop to MV)	670240412446	26.00
P6900-SSH-3	Supply Hose 3/8" X 3/8" X 12" Long	889934070903	15.00
P6900-XL-TMV-1	Thermostatic Mixing Valve for Single Faucet (Lead-Free)	-	403.00
P6900-XL-TMV	Thermostatic Mixing Valve for Multiple Faucets - 8 gpm Flow (Lead-Free)	-	487.00
<b>Cover Plates</b>			
P6900-CP4	4" Cover Plate (New Style) for Z6913-X and Z6920-XL Faucets	670240586758	100.00
P6900-CP4-1	4" Cover Plate with Hole for ADM Fits Z6913-XL Faucet	670240365087	125.00
P6900-CP4-GSK	4" Cover Plate Gasket for Z6913-XL, and Z6920-XL Faucets (Z6930-XL)	670240645981	16.00
P6900-CP8	8" Cover Plate (New Style) for Z6913-XL and Z6920-XL Faucets	670240586765	111.00
P6900-CP8-2	8" Cover Plate with Hole for ADM Fits Z6913-XL Faucet	670240634251	138.00
P6900-CP8-GSK	8" Cover Plate Gasket for Z6913-XL, and Z6920-XL Faucets (Z6930-XL)	670240615694	20.00
<b>Power Options</b>			
P6900-ACA	ACA Plug-in Power Converter 6 VDC for Z6913-XL, Z6915-XL, Z6920-XL, and Z6922-XL	670240582446	81.00
P6900-CWB	Connecting Wire for Battery Faucets (Z6913-XL, Z6915-XL, Z6920-XL, and Z6922-XL)	670240586000	12.00
P6900-CWB-1	20' Cord for Z6900 Faucets	670240651029	37.00
P6000-HW6	Hardwired Power Converter for Battery Faucets (Z6913-XL, Z6915-XL, Z6920-XL, and Z6922-XL)	670240533608	144.00
P6000-MJ	Mini Junction Box	670240419803	242.00
P6900-GEN	Lead-Free Hydrogenerator for Battery Faucets	670240404151	304.00
P6900-GEN-BAT	Lithium Battery for Hydro Gen Faucet	670240446656	320.00

When ordering parts, always list product number and description.

For additional product information, please visit [www.zurn.com](http://www.zurn.com).

PRODUCT NO.	DESCRIPTION	UPC	LIST PRICE
<b>Z6913-XL Series Parts</b>			
P6913-WEDGE	Wedge Gasket used on the Z6913 Faucet	670240616103	7.00
P6913-XL-1	Z6913 Lead-Free Spout Assembly	670240802506	311.00
P6900-BAT-AA	AA Battery	670240573819	14.00
P6900-B-BD	Battery Drawer for Z6913-XL, Z6915-XL, Z6920-XL, and Z6922-XL	670240412507	23.00
P6900-B-L	Electronics Module for Z6913-XL, Z6915-XL, Z6920-XL, and Z6922-XL	670240576582	732.00
P6900-SRK	Solenoid Rebuild Kit (Diaphragm, plunger and plunger spring)	670240574908	103.00
P6900-SG	Shank Connection Gasket	670240575813	5.00
<b>Z6915-XL Series Parts</b>			
P6915-42	Base Plate Gasket	670240616752	12.00
P6915-MOUNTING-KIT	Mounting Hardware for Z6915 Faucet	670240403352	17.00
P6915-WEDGE	Wedge Gasket used on the Z6915 Faucet	670240621633	11.00
P6915-XL-1	Z6915 Lead-Free Spout Assembly	670240802513	387.00
P6900-BAT-AA	AA Battery	670240573819	14.00
P6900-B-BD	Battery Drawer for Z6913-XL, Z6915-XL, Z6920-XL, and Z6922-XL	670240412507	23.00
P6900-B-L	Electronics Module for Z6913-XL, Z6915-XL, Z6920-XL, and Z6922-XL	670240576582	732.00
P6900-SRK	Solenoid Rebuild Kit (Diaphragm, plunger and plunger spring)	670240574908	103.00
P6900-SG	Shank Connection Gasket	670240575813	5.00
<b>Z6918-XL Series Parts</b>			
P6918-100-HP	Solenoid for Z6918 Faucet, High Pressure	670240360501	218.00
P6918-120	Filter Assembly for Z6918 Faucet	670240260375	26.00
P6918-20E	1.5 gpm Aerator for Z6918 Faucet	670240361560	14.00
P6918-20F	0.5 gpm Aerator for Z6918 Faucet	670240361409	15.00
P6918-BAT	9 Volt Battery for Z6918 Faucet	670240403543	28.00
P6918-B-L	Electronics Assembly for Z6918 Int. Batt. Faucet	670240385290	588.00
P6918-CP4	4" Cover Plate for Z6918 Faucet	670240401297	95.00
P6918-CP8	8" Cover Plate for Z6918 Faucet	670240406704	151.00
P6918-RC	Remote Control with 8 Buttons for Stern Faucet -Z6918	670240409965	367.00
P6918-W	Allen Wrench for Z6918 Faucet	670240383159	6.00
<b>Z6920-XL and Z6922-XL Series Parts</b>			
P6920-42	Base Plate Gasket	670240608023	19.00
P6920-WEDGE	Wedge Gasket used on the Z6920 Faucet	670240647008	4.00
P6920-XL-1	Lead-Free Base Assembly	670240872660	154.00
P6922-43	Mounting Kit for Z6922-XL	670240405974	38.00
P6922-XL-1	Electronics for Z6922 Battery Powered	670240957923	273.00
P6900-GA	3-1/2" Centerline Gooseneck Spout (with Aerator)	670240554153	88.00
P6900-GB	5-3/8" Centerline Gooseneck Spout (with Aerator)	670240537750	101.00
P6900-GC	8" Centerline Gooseneck Spout (with Aerator)	670240563377	155.00
P6900-BAT-AA	AA Battery	670240573819	14.00
P6900-B-L	Electronics Module for Z6913-XL, Z6915-XL, Z6920-XL, and Z6922-XL	670240576582	732.00
P6900-SRK	Solenoid Rebuild Kit (Diaphragm, plunger and plunger spring)	670240574908	103.00
P6900-SG	Shank Connection Gasket	670240575813	5.00
<b>Z6930-XL Series Parts</b>			
P6930-XC-24	Electronics Extension Cable	670240851535	93.00
P6930-XL-1	Z6930 Spout Assembly with Sensor	670240808409	827.00
P6930-XL-42	Z6930 Base Plate Gasket	670240808416	12.00
P6930-XL-B-L	Electronics Box with Solenoid	670240808423	805.00
P6930-XL-EL	Z6930 Sensor Assembly	670240808454	163.00

PRODUCT NO.	DESCRIPTION	UPC	LIST PRICE
<b>Z6950-XL Series Parts</b>			
P6950-43	Z6950 Bagging Assembly	889934080568	-
P6950-CP4	4" Cast Cover Plate with Gasket	670240963511	100.00
P6950-CP4-1	4" Cast Cover Plate with Gasket with Hole for ADM Mixer	670240963535	100.00
P6950-CP8	8" Cast Cover Plate with Gasket	670240963528	111.00
P6950-CP8-2	8" Cast Cover Plate with Gasket with Hole for ADM Mixer	670240963542	111.00
P6950-SRK	Replacement Solenoid	670240963320	141.00
P6950-XL-42	Z6950/Z6950-XL-IM Spout Base Gasket	670240963290	13.00
P6950-XL-44	Z6955-XL Spout Base Gasket	670240963306	19.00
P6950-XL-B	Spout Shank Base for Z6950/Z6955-XL	670240963276	130.00
P6950-XL-B-L	Electronics Box with Solenoid - Z6950/55-XL	889934091670	732.00
P6950-XL-C	Mixing Handle Plug/Cap for Z6950-XL-IM Model	-	8.00
P6950-XL-DC	Modular DC Pigtail Cable for Plug-In and Hardwired Units	670240963504	118.00
P6950-XL-EL	Z6950 Sensor Assembly	670240963559	176.00
P6950-XL-H	Mixing Handle for Z6950-XL-IM model	670240963344	19.00
P6950-XL-IM-B	Spout Shank Base on Z6950-XL-IM	670240963283	171.00
P6950-XL-IM-B-L	Electronics Box with Solenoid - Z6950-XL-IM	670240963313	1127.00
P6950-XL-IM-SPOUT	Z6950-XL-IM Spout Assembly with Sensor (Less Base Shank)	670240963245	683.00
P6950-XL-OS	Handle O-Ring and Handle Screw Z6950-XL-IM	670240963481	7.00
P6950-XL-S-1	Z6950-XL Spout Assembly with Sensor and Shank Base	670240963221	642.00
P6950-XL-S-IM-1	Z6950-XL-IM Spout Assembly with Sensor Shank Base	670240963238	855.00
P6950-XL-SPOUT	Z6950-XL Spout Assembly with Sensor (Less Base Shank)	670240963269	515.00
P6950-XL-Y	Y Pipe Adaptor for Z6950-XL-IM Model	670240963337	53.00
P6950-XL-YC	Y Cable Adaptor Z6950-XL-IM	670240963498	64.00
P6955-XL-S-1	Z6955-XL Spout Assembly with Sensor Shank Base	670240963214	642.00
P6955-XL-SPOUT	Z6955-XL Spout Assembly with Sensor (Less Base Shank)	670240963252	515.00

FLUSH VALVES

FAUCETS

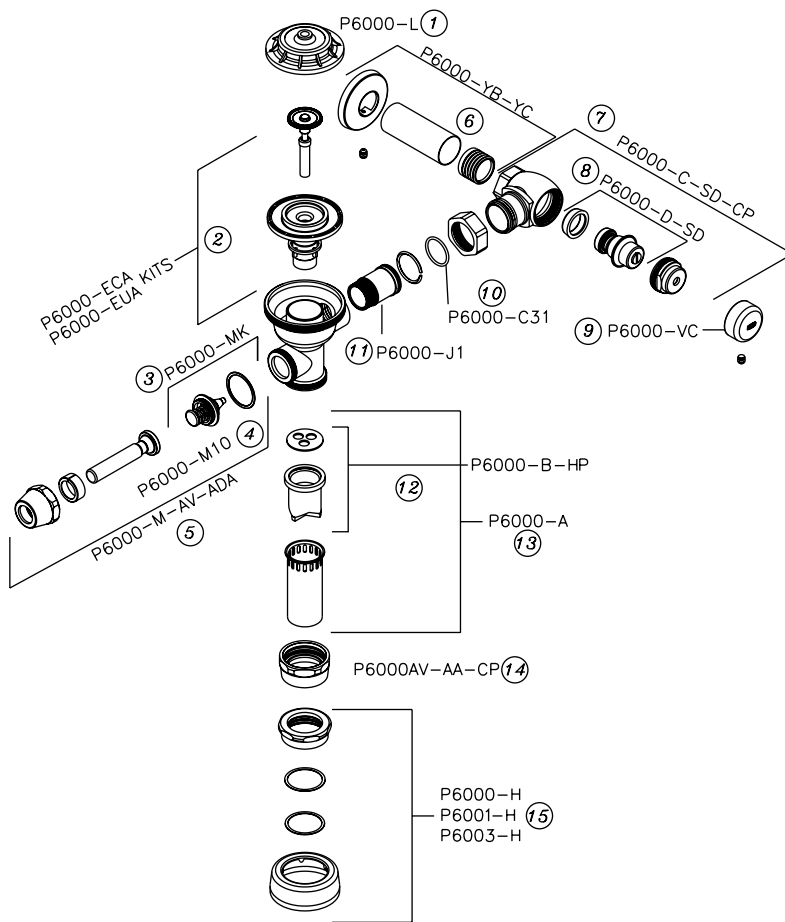
TEMP-GARD®

TUBULAR BRASS

FIXTURES

AQUAPARTS® REPAIR PARTS  
AND ASSEMBLIES

# AquaVantage® AV Flush Valves With Chemical and Clog-Resistant, Triple Filter Diaphragm



## Standard Features



High Pressure  
Vacuum Breaker



Low-Force, No Leak,  
ADA Handle



Cast Wall Flange  
with Setscrew

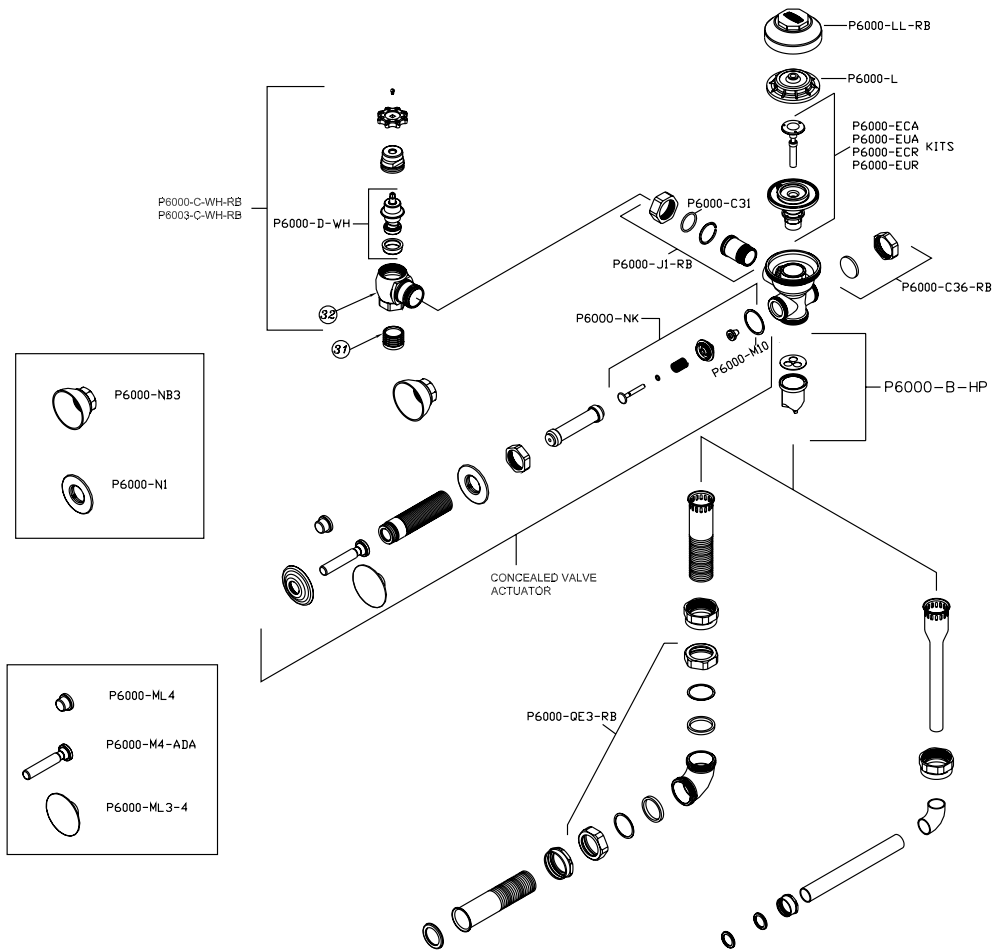


Vandal-Resistant  
Control Stop Cover

NO.	PRODUCT NO.	DESCRIPTION
<b>AquaVantage Covers</b>		
1	P6000-LL-CP	Outside Cover - CP
2	P6000-L	Inside Plastic Cover
<b>AquaVantage Repair Kits</b>		
3	P6000-ECA-HET	Closet Repair Kit - 1.28 gpf
	P6000-ECA-WS	Closet Repair Kit - 3.5 gpf
	P6000-ECA-WS1	Closet Repair Kit - 1.6 gpf
	P6000-ECA-PWS	Closet Repair Kit - 2.4 gpf
	P6000-EUA-ULF	Urinal Repair Kit - 0.125 gpf
	P6000-EUA-WS	Urinal Repair Kit - 1.5 gpf
	P6000-EUA-WS1	Urinal Repair Kit - 1.0 gpf
	P6000-EUA-EWS	Urinal Repair Kit - 0.5 gpf
<b>AquaVantage Handle Repair Kits and Parts</b>		
4	P6000-MK	Handle Repair Kit
5	P6000-M10	Handle Gasket
6	P6000-M-ADA	Handle Assembly - ADA
<b>Sweat Solder Kits</b>		
7	P6000-YBYC	1" Sweat Solder Kit w/Cast Wall Flange
	P6003-YBYC	3/4" Sweat Solder Kit w/Cast Wall Flange

NO.	PRODUCT NO.	DESCRIPTION
<b>Control Stop Repair Parts</b>		
8	P6000-C-SD-CP	Control Stop - 1" Closet
	P6003-C-SD-CP	Control Stop - 3/4" Urinal
<b>Stop Valve Repair Parts</b>		
9	P6000-D-SD	Stop Valve Repair Kit - 1" and 3/4"
10	P6000-VC	Vandal-Resistant Stop Cover
<b>Tail Piece Repair Parts</b>		
11	P6000-C31	Tail Piece O-Ring
12	P6000-J1	Tailpiece Assembly
<b>Flush Connections and Spud Coupling Kits</b>		
13	P6000-B-HP	High Pressure Vacuum Breaker Repair Kit
14	P6000-A	Flush Tube Assembly for Flush Valves (Specify diameter and length.)
15	P6000-AA-CP	Vacuum Breaker Nut/Coupling - CP
16	P6000-H	1-1/2" Spud Coupling Assembly
	P6001-H	1-1/4" Spud Coupling Assembly
	P6003-H	3/4" Spud Coupling Assembly

# AquaVantage® and Aquaflush® Concealed Replacement Parts - Z6100AV and Z6100 Series



NO.	PRODUCT NO.	DESCRIPTION
<b>AquaVantage Covers and Repair Kits</b>		
	P6000-LL-RB	Outside Cover - RB
	P6000-L	Inside Cover
	P6000-ECA-WS1	Low Consumption Closet Kit - 1.6 gal.
	P6000-ECA-WS	Water Saving Closet Kit - 3.5 gal.
	P6000-ECA-FF	Full Flow Closet Kit - 4.5 gal.
	P6000-EUA-WS1	Low Consumption Urinal Kit 1.0 gal.
	P6000-EUA-WS	Water Saving Urinal Kit - 1.5 gal.
	P6000-EUA-FF	Full Flow Urinal Kit - 3.0 gal.
<b>Aquaflush Covers and Repair Kits</b>		
	P6000-LL-RB	Outside Cover - RB
	P6000-L	Inside Cover
	P6000-ECR-WS1	Low Consumption Closet Kit - 1.6 gal.
	P6000-ECR-WS	Water Saving Closet Kit - 3.5 gal.
	P6000-ECR-FF	Full Flow Closet Kit - 4.5 gal.
	P6000-EUR-WS1	Low Consumption Urinal Kit 1.0 gal.
	P6000-EUR-WS	Water Saving Urinal Kit - 1.5 gal.
	P6000-EUR-FF	Full Flow Urinal Kit - 3.0 gal.
<b>Control Stop Repair Kit and Parts</b>		
	P6000-C-WH-RB	Control Wheel Handle Stop - 1"
	P6003-C-WH-RB	Control Wheel Handle Stop - 3/4"
	P6000-D-WH	Control Stop Repair Kit for 1" and 3/4"
	P6000-YBA	Sweat Solder Connection

NO.	PRODUCT NO.	DESCRIPTION
<b>Handle Assembly and Repair Kits</b>		
	P6000-N-__	Concealed Valve Actuator (Specify type and 'L' dim.)
	P6000-NL-__	Concealed Valve Actuator (Specify type and 'L' dim.)
	P6000-NL3-__	Concealed Valve Actuator (Specify type and 'L' dim.)
	P6000-NK	Handle Repair Kit
	P6000-M9	Handle Seal
	P6000-M10	Handle Gasket
<b>Adjustable Tailpieces</b>		
	P6000-J1-RB	Adjustable Tailpiece for Standard Flush Valve
	P6000-C30	Tailpiece Locking Ring
	P6000-C31	Tailpiece O-Ring
	P6000-C32-RB	Coupling Nut
	P6000-C36-RB	Handle Nut Solid with Gasket
<b>Flush Connections and Spud Coupling Kits</b>		
	P6000-QFC __	Flush Tube Assembly for Concealed Flush Valves (Refer to Section Q)
	P6000-B-HP	High Pressure Vacuum Breaker Repair Kit
	P6000-HN-RB	1-1/2" Spud Coupling Assembly
	P6001-HN-RB	1-1/4" Spud Coupling Assembly
	P6003-HN-RB	3/4" Spud Coupling Assembly

For more information, see FV212 or FV251

When ordering parts, always list product number and description.

For additional product information, please visit [www.zurn.com](http://www.zurn.com).

FLUSH VALVES

FAUCETS

TEMP-GARD®

TUBULAR BRASS

FIXTURES

AQUAPARTS® REPAIR PARTS  
AND ASSEMBLIES



# Aquaflush® Flush Valves With Chemical and Clog-Resistant Diaphragm



## Standard Features



High Pressure  
Vacuum Breaker



Low-Force, No Leak,  
ADA Handle

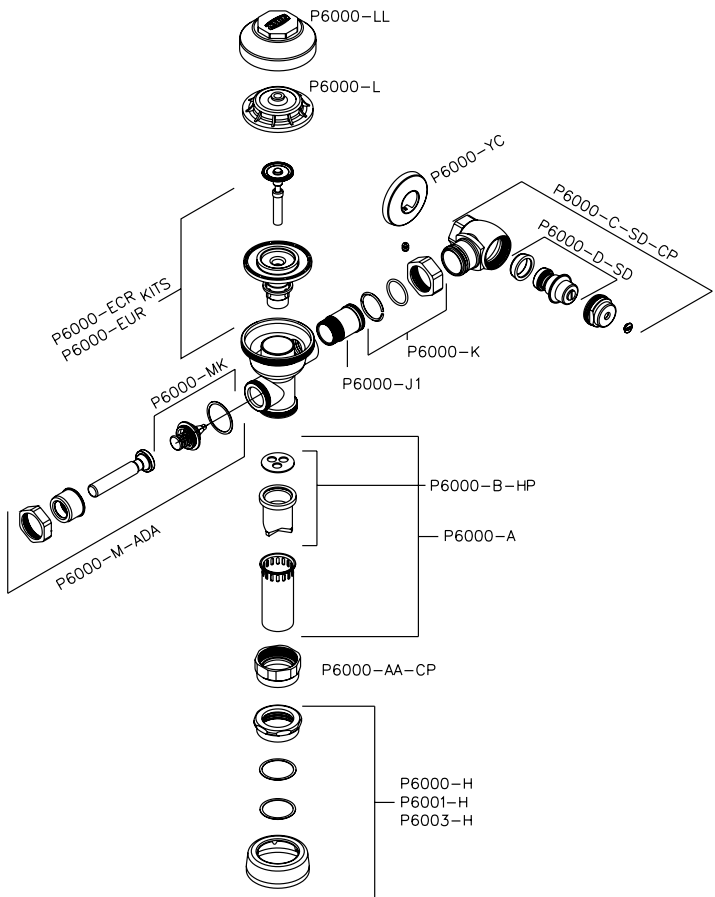
## For Aquaflush PL- Add



Cast Wall Flange  
with Setscrew



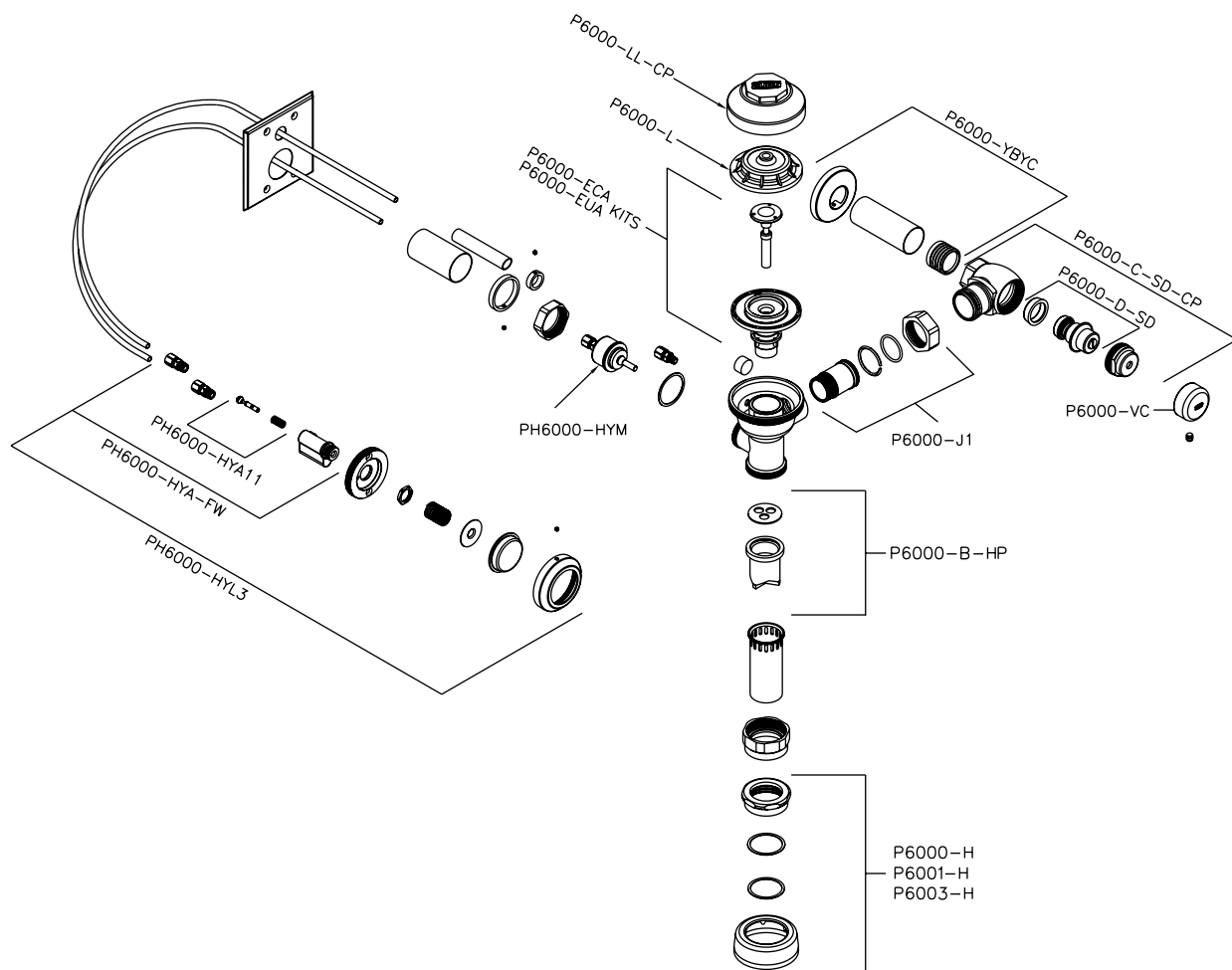
Vandal-Resistant  
Control Stop Cover



NO.	PRODUCT NO.	DESCRIPTION
<b>Covers and Repair Kits</b>		
	P6000-LL-CP	Outside Cover - CP
	P6000-L	Inside Cover
	P6000-ECR-WS1	Low Consumption Closet Kit - 1.6 gal. flush
	P6000-ECR-WS	Water Saving Closet Kit - 3.5 gal. flush
	P6000-ECR-FF	Full Flow Closet Kit - 4.5 gal. flush
	P6000-EUR-WS1	Low Consumption Urinal Kit - 1.0 gal. flush
	P6000-EUR-WS	Water Saving Urinal Kit - 1.5 gal. flush
	P6000-EUR-FF	Full Flow Urinal Kit - 3.0 gal. flush
<b>Repair Parts - Inside Parts</b>		
	P6000-EU13	Urinal Relief Valve
	P6000-EC13	Closet Relief Valve
	P6000-E14	Molded Disc
	P6000-ER15	Diaphragm with Flow Rings
<b>Aquaflush Rebuild Kits</b>		
	P6000-ECR-WS-RK	Closet Rebuild Kits
	P6000-ECR-WS1-RK	Closet Rebuild Kits
	P6000-EUR-WS-RK	Urinal Rebuild Kits
	P6000-EUR-WS1-RK	Urinal Rebuild Kits
<b>Handle Assembly and Repair Kits</b>		
	P6000-M-ADA	ADA Handle Assembly (Side)
	P6000-MK	Handle Repair Kit (Side)
	P6000-M9	Handle Seal
	P6000-M10	Handle Gasket

NO.	PRODUCT NO.	DESCRIPTION
<b>Handle Assembly and Repair Kits (cont'd.)</b>		
	P6000-MHK	Repair Kit for Front Operation - Exposed
	P6000-MH	Handle Assembly (Front)
<b>Control Stop Repair Kit and Parts</b>		
	P6000-D-SD	Control Stop Repair Kit for 1" and 3/4"
	P6000-D42	Seal Seat for 1" and 3/4"
	P6000-D-VP	VP Control Stop Repair Kit for 1" and 3/4"
	P6000-YB	Sweat Solder Connection 1"
	P6003-YB	Sweat Solder Connection 3/4"
<b>Adjustable Tailpieces</b>		
	P6000-J1	Adjustable Tailpiece for Standard Flush Valve
	P6000-C30	Tailpiece Locking Ring
	P6000-C31	Tailpiece O-Ring
	P6000-C32	Coupling Nut
<b>Flush Connections and Spud Coupling Kits</b>		
	P6000-A	Flush Tube Assembly for Flush Valves (Specify diameter and length.)
	P6000-B	Vacuum Breaker Repair Kit
	P6000-H	1-1/2" Spud Coupling Assembly
	P6001-H	1-1/4" Spud Coupling Assembly
	P6003-H	3/4" Spud Coupling Assembly

# AquaVantage® and Aquaflush® Hydraulic-Operated Replacement Parts



NO.	PRODUCT NO.	DESCRIPTION
<b>AquaVantage Covers and Repair Kits</b>		
	P6000-LL-CP	Outside Cover - CP
	P6000-L	Inside Cover
	P6000-ECA-WS1	Low Consumption Closet Kit - 1.6 gal.
	P6000-ECA-WS	Water Saving Closet Kit - 3.5 gal.
	P6000-ECA-FF	Full Flow Closet Kit - 4.5 gal.
	P6000-EUA-WS1	Low Consumption Urinal Kit 1.0 gal.
	P6000-EUA-WS	Water Saving Urinal Kit - 1.5 gal.
	P6000-EUA-FF	Full Flow Urinal Kit - 3.0 gal.
<b>Aquaflush Repair Kits</b>		
	P6000-ECR-WS1	Low Consumption Closet Kit - 1.6 gal.
	P6000-ECR-WS	Water Saving Closet Kit - 3.5 gal.
	P6000-ECR-FF	Full Flow Closet Kit - 4.5 gal.
	P6000-EUR-WS1	Low Consumption Urinal Kit 1.0 gal.
	P6000-EUR-WS	Water Saving Urinal Kit - 1.5 gal.
	P6000-EUR-FF	Full Flow Urinal Kit - 3.0 gal.
<b>Actuator Assembly and Repair Parts</b>		
	PH6000-HYL3-FW	Large Push Button Assembly, Fixture Wall
	PH6000-SHYL3-SW	Large Push Button Assembly, Side Wall
	PH6000-HYL-MB	Metal Push Button Assembly
	PH6000-HYLP-MBP	Metal Push Button Assembly for Penal Use
	PH6000-HYA11	Repair Kit for Hydraulic Actuator

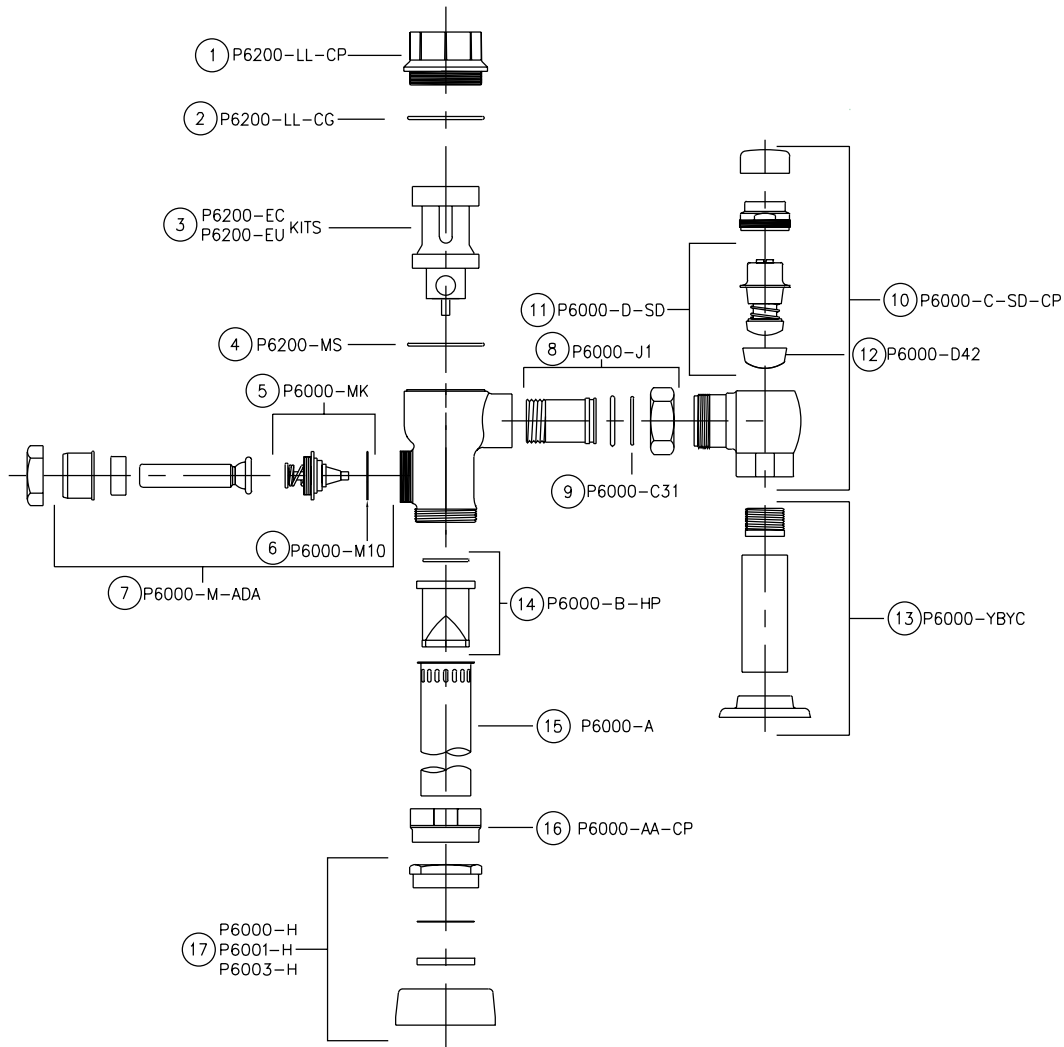
NO.	PRODUCT NO.	DESCRIPTION
<b>Control Stops and Repair Kits</b>		
	P6000-D-SD	Control Stop Repair Kit for 1" and 3/4"
	P6000-C-SD-CP	Control Stop - 1"
	P6003-C-SD-CP	Control Stop - 3/4"
	P6000-C-WH-RB	Control Stop - 1" Concealed
	P6003-C-WH-RB	Control Stop - 3/4" Concealed
<b>Sweat Solder Kit</b>		
	P6000-YBYC	Solder Adapter, Cover Tube, and Cast Wall Flange
<b>Adjustable Tailpieces</b>		
	P6000-J1	Adjustable Tailpieces for Standard Flush Valve
	P6000-C30	Tailpiece Locking Ring
	P6000-C31	Tailpiece O-Ring
	P6000-C32-CP	Coupling Nut
<b>Flush Connections and Spud Coupling Kits</b>		
	P6000-A	Flush Tube Assemblies for Flush Valves (Specify diameter and length.)
	P6000-B-HP	High Pressure Vacuum Breaker Repair Kit
	P6000-H	1-1/2" Spud Coupling Assembly
	P6001-H	1-1/4" Spud Coupling Assembly
	P6003-H	3/4" Spud Coupling Assembly

For more information, see FV241

For additional product information, please visit [www.zurn.com](http://www.zurn.com).

When ordering parts, always list product number and description.

# Metroflush® Replacement Parts



NO.	PRODUCT NO.	DESCRIPTION
-----	-------------	-------------

### Metroflush Covers and Repair Kits

1	P6200-LL-CP	Outside Cover - CP
2	P6200-LL-CG	Cover Gasket
3	P6200-EC-WS	Metroflush Repair Kit - Closet 3.5 gal.
	P6200-EC-WS1	Metroflush Repair Kit - Closet 1.6 gal.
	P6200-EC-HET	Metroflush Repair Kit - Closet 1.28 gal.
	P6203-EU-WS	Metroflush Repair Kit - Urinal 1.5 gal.
	P6203-EU-WS1	Metroflush Repair Kit - Urinal 1.0 gal.
4	P6200-MS	Main Seat for Metroflush Valve

### Metroflush Handle Repair Parts and Kits

5	P6000-MK	Handle Repair Kit
6	P6000-M10	Handle Gasket
7	P6000-M-ADA	Handle Assembly - ADA

### Metroflush Tailpiece Repair Parts and Kits

8	P6000-J1	Adjustable Tailpieces for Std. Flush Valve
9	P6000-C31	Tailpiece O-Ring

For more information, see FV116

For additional product information, please visit [www.zurn.com](http://www.zurn.com).

NO.	PRODUCT NO.	DESCRIPTION
-----	-------------	-------------

### Metroflush Control Stops and Repair Kits

10	P6000-C-SD-CP	Control Stop - 1" - Closet
	P6003-C-SD-CP	Control Stop - 3/4" - Urinal
11	P6000-D-SD	Control Stop Repair Kit - 1" and 3/4"
12	P6000-D42	Seal/Plug Seat for 1" and 3/4"

### Sweat Solder Kit

13	P6000-YBYC	1" Sweat Solder Kit w/Cast Wall Flange
	P6003-YBYC	3/4" Sweat Solder Kit w/Cast Wall Flange

### Flush Tube Parts and Repair Kits

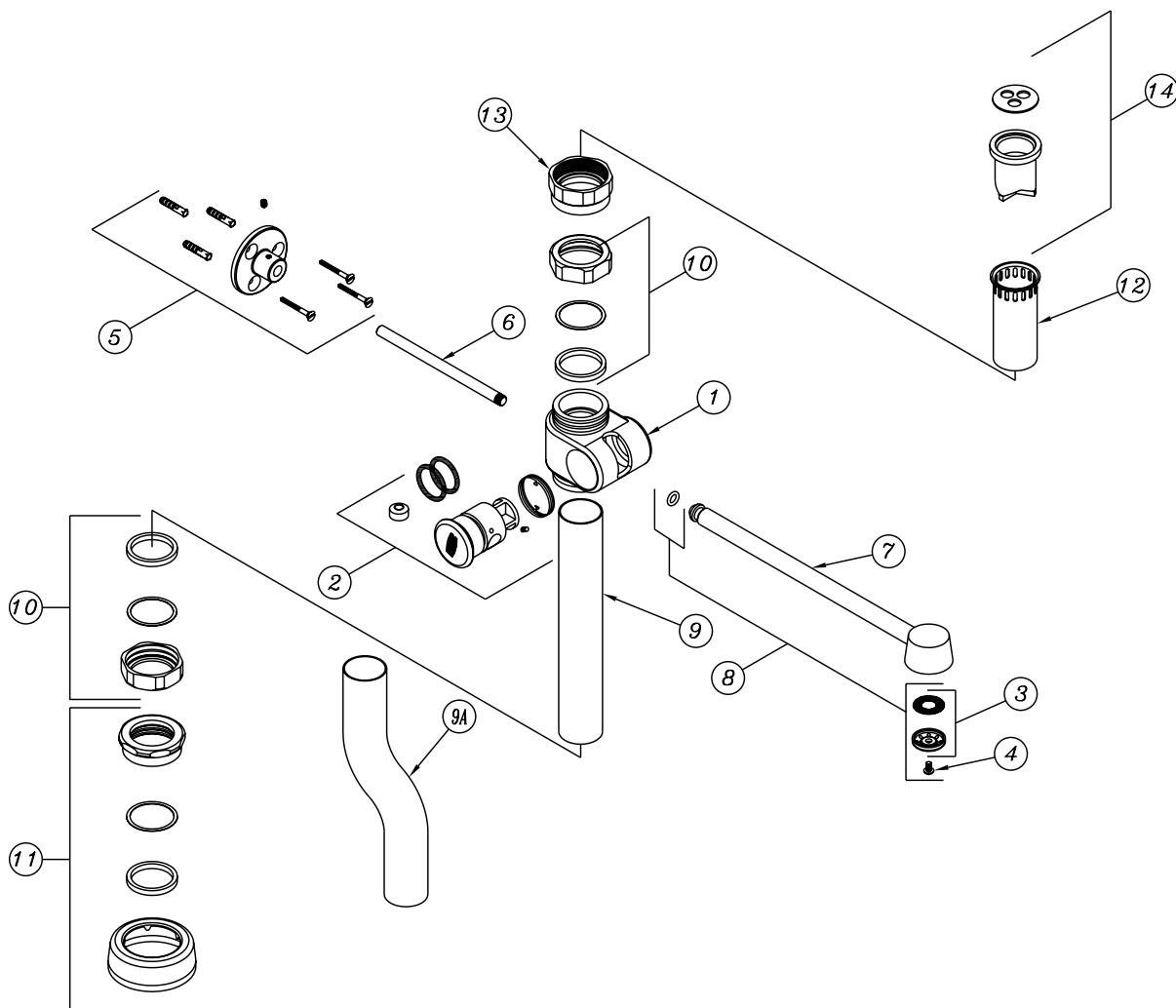
14	P6000-B-HP	Vacuum Breaker Repair Kit
15	P6000-A-CP	Flush Tube Assembly - 1-1/2"
	P6001-A-CP	Flush Tube Assembly - 1-1/4"
	P6003-A-CP	Flush Tube Assembly - 3/4"

### Flush Connections and Spud Coupling Kits

16	P6000-AA-CP	Vacuum Breaker Nut/Coupling - CP
17	P6000-H	1-1/2" Spud Coupling Assembly
	P6001-H	1-1/4" Spud Coupling Assembly
	P6003-H	3/4" Spud Coupling Assembly

When ordering parts, always list product number and description.

## Bedpan Washer Replacement Parts



NO.	PRODUCT NO.	DESCRIPTION
1	P6000-PN21	Diverter Body
2	P6000-PN20	Elbow Assembly (Elbow, Spring, Setscrew, 2 O-Rings, and Grommet)
3	P6000-P3	Spray Disc
4	P6000-P4	Spray Disc Screw
5	P6000-P8	Wall Flange with Setscrew and Mounting Hardware
6	P6000-P8-1	Support Rod
7	P6000-PN18	Spray Arm Assembly - 12"
8	P6000-PN19	Spray Arm Repair Kit (O-Ring, Spray Disc, Screen, and Screw)
9	P6000-P15	Bottom Tube
9A	P6000-P15-LO	Optional Offset Tube
10	P6000-HN-CP	Coupling Assembly - 1-1/2"
11	P6000-H	Spud Coupling Assembly - 1-1/2"
12	P6000-1-A-CP	Vacuum Breaker Tube
13	P6000-AA-CP	Tube Nut
14	P6000-B-HP	High Pressure Vacuum Breaker Repair Kit
15	P6000-PN22	Bedpan Diverter Rebuild Kit (Items 8, 2 [Except Elbow], Tube Gasket)

For more information, see FV335

When ordering parts, always list product number and description.

For additional product information, please visit [www.zurn.com](http://www.zurn.com).

# ZTR6200EV Series Replacement Parts

FLUSH VALVES

FAUCETS

TEMP-GARD®

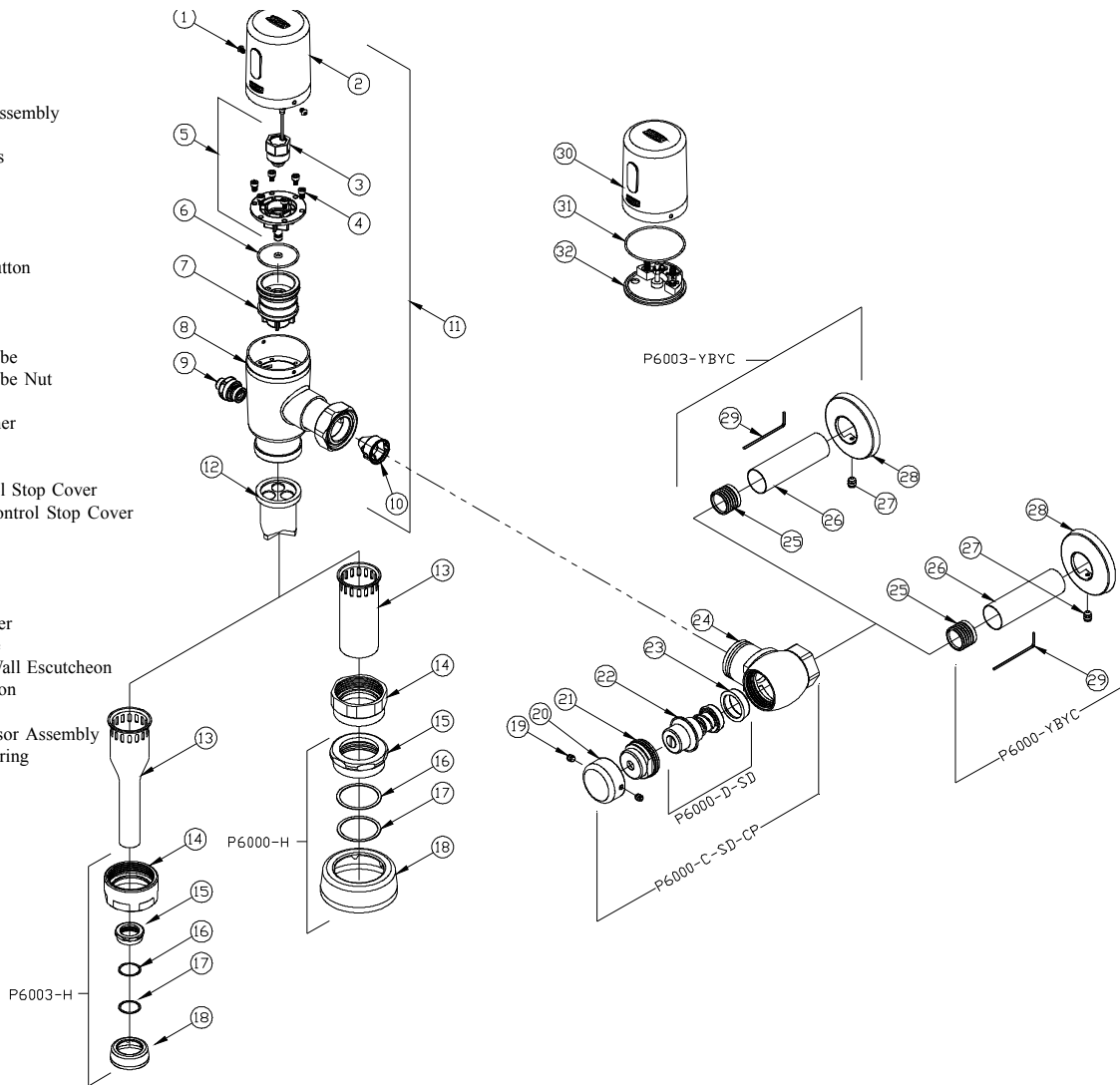
TUBULAR BRASS

FIXTURES

AQUAPARTS® REPAIR PARTS AND ASSEMBLIES

## Parts Identification

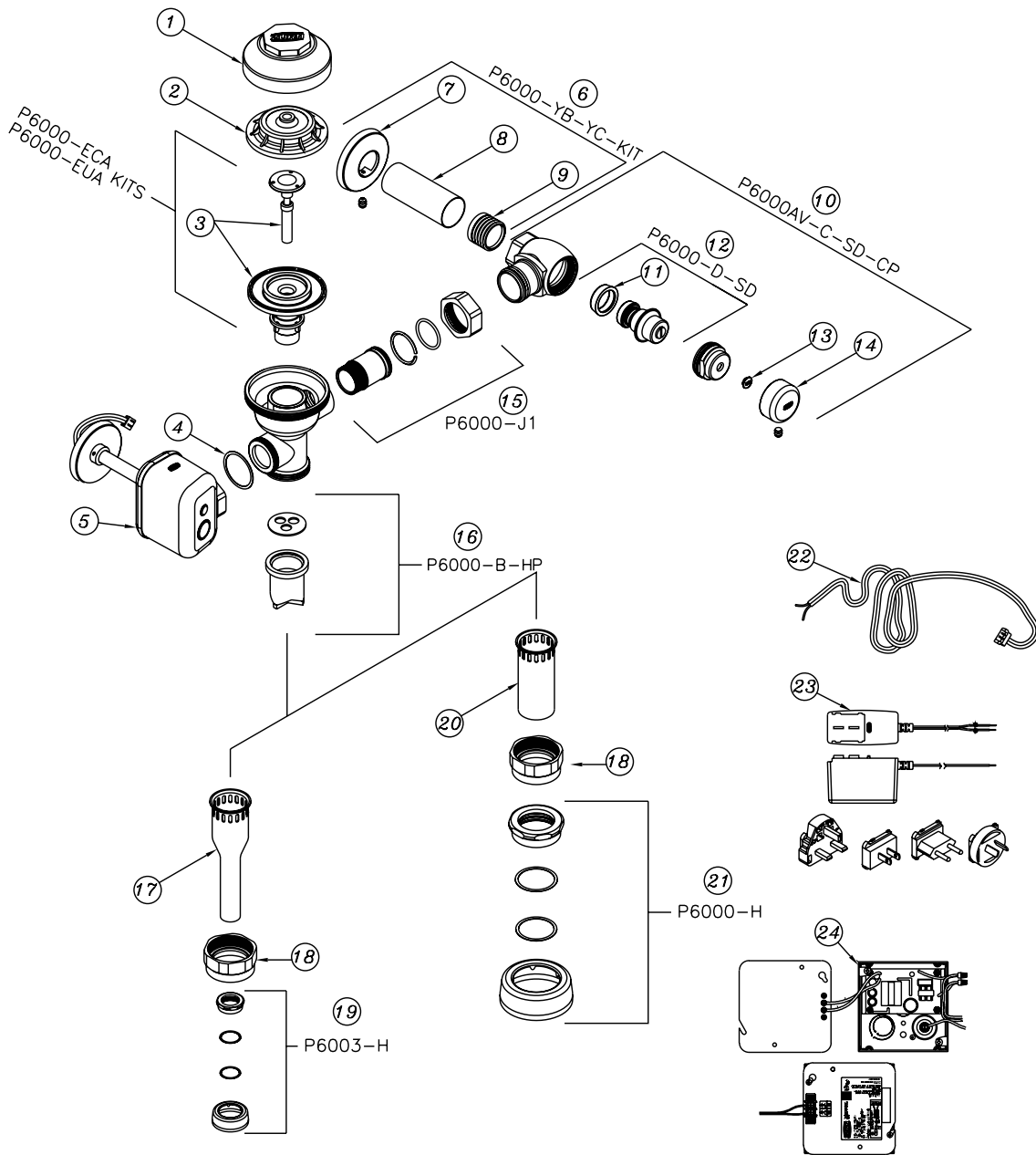
1. Cover screw
2. Valve Cap/Sensor Assembly
3. Solenoid
4. Piston Cover Screws
5. Solenoid Kit
6. Flange O-rings
7. Piston Kit
8. Valve Housing
9. Manual Override Button
10. Filter
11. Valve Assembly
12. Vacuum Breaker
13. Vacuum Breaker Tube
14. Vacuum Breaker Tube Nut
15. Spud Nut
16. Spud Friction Washer
17. Spud Sleeve
18. Spud Escutcheon
19. Setscrew for Control Stop Cover
20. Vandal-Resistant Control Stop Cover
21. Stop Cap Bonnet
22. Stop Internals
23. Piston Seal
24. Stop Body
25. Sweat Solder Adapter
26. Supply Cover Tube
27. Setscrew for Cast Wall Escutcheon
28. Cast Wall Escutcheon
29. Hex Wrench
30. Top Valve Cap/Sensor Assembly
31. Battery Housing O-ring
32. Battery Cover



NO.	PRODUCT NO.	DESCRIPTION
<b>Valve and Components</b>		
	PTR6200-HSA	Valve Housing, Items 8 & 9
	PTR6200-L-1.1	Valve Cap, (1.1 gpf), Item 2
	PTR6200-L-1.28	Valve Cap, (1.28 gpf), Item 2
	PTR6200-L-1.6	ValveCap, (1.6gpf), Item2
	PTR6200-L-1.0	ValveCap, (1.0gpf), Item2
	PTR6200-L-0.5	ValveCap, (0.5gpf), Item2
	PTR6200-L-0.25	Valve Cap, (0.25 gpf), Item 2
	PTR6200-L-0.125	Valve Cap, (0.125 gpf), Item 2
	PTR6200-M	Solenoid Replacement Kit, Item 5
	PTR6200-EC	Piston Kit (1.1/1.28/1.6 GPF), Item 7
	PTR6203-EU	Piston Kit (0.5/1.0 GPF), Item 7
	PTR6203-EU-ULF	Piston Kit (0.125/0.25 GPF), Item 7
	PTR6200-24	Manual Override Button Assy, Item 9
	PTR6200-M-ring	Flange O-Ring, Item 6
	PTR6200-M-S	Flange Screw , Item 4
	P6000-FA	Filter, (1.28/1.6 gpf), Item 10
	PTR6203-FA	Filter, (1.0/0.5 gpf), Item 10
	PTR6200-L-S	Cover screw , Item 1

NO.	PRODUCT NO.	DESCRIPTION
<b>Flush Connections and Spud Coupling Kits</b>		
	P6000-H	Closet Flush Connection and Spud Coupling, Items 15-18
	P6003-H	Urinal Flush Connection and Spud Coupling, Items 15-18
	P6000-B-HP	Vacuum Breaker Repair Kit, Items 11
	P6000-A-CP	Vacuum Breaker Tube
	P6000-AA-CP	Vacuum Breaker Tube Nut
<b>Control Stop Repair Kit and Parts</b>		
	P6000-C-SD-CP	Control Stop Repair Kit for 1" and 3/4", Includes Items 14-20
	P6000-D42	Seal Seat for 1" and 3/4", Includes Item 23
	P6000-YBA	Sweat Solder Adapter, Includes Item 25
	P6000-VC	Vandal resistant control stop cover Items 19-20
	P6000-YBYC	Closet Sweat solder kit, Items 25-29
	P6003-YBYC	Urinal Sweat solder kit, Items 25-29

# ZEMS-IS Series Replacement Parts



NO.	PRODUCT NO.	DESCRIPTION
1	P6000-LL-CP	Outside Brass Cover
2	P6000-L	Inside Plastic Cover
3	P6000-ECA	Closet Repair Kit
	P6000-EUA	Urinal Repair Kit
4	P6000-M10	Handle Gasket
5	PEMS6000-HYM-IS	Actuator Assembly for Exposed ZEMS Valves
6	P6000-YBYC	Sweat Solder Kit with Cast Flange
7	P6000-YC	Cast Wall Flange
8	P6000-YB-CVR6	6" Cover Tube
9	P6000-YBA	Sweat Solder Adapter
10	P6000AV-C-SD-CP	1" SD Stop - CP with Vandal-Resistant Cover
11	P6000-D42	Seal/Plug Seat for 1" and 3/4"

NO.	PRODUCT NO.	DESCRIPTION
12	P6000-D-SD	SD Stop Valve Repair Kit
13	P6000-C33	Stop Cap Screw Cover
14	P6000-VC	Vandal-Resistant Cap
15	P6000-J1	Tailpiece
16	P6000-B-HP	High Pressure Vacuum Breaker Repair Kit
17	P6003-A-CP	3/4" x 9" Vacuum Breaker Tube
18	P6000-AA-CP	Vacuum Breaker Nut
19	P6003-H	3/4" Spud Coupling Assembly
20	P6000-A-CP	1-1/2" x 9" Vacuum Breaker Tube
21	P6000-H	1-1/2" Spud Coupling Assembly
22	PEMS6000-IS-CW	Connecting Wire
23	P6000-ACA-BA	Plug-in Power Converter
24	P6000-HW6	Hardwire Power Converter

When ordering parts, always list product number and description.

For additional product information, please visit [www.zurn.com](http://www.zurn.com).

# ZEMS Closet Series Replacement Parts

FLUSH VALVES

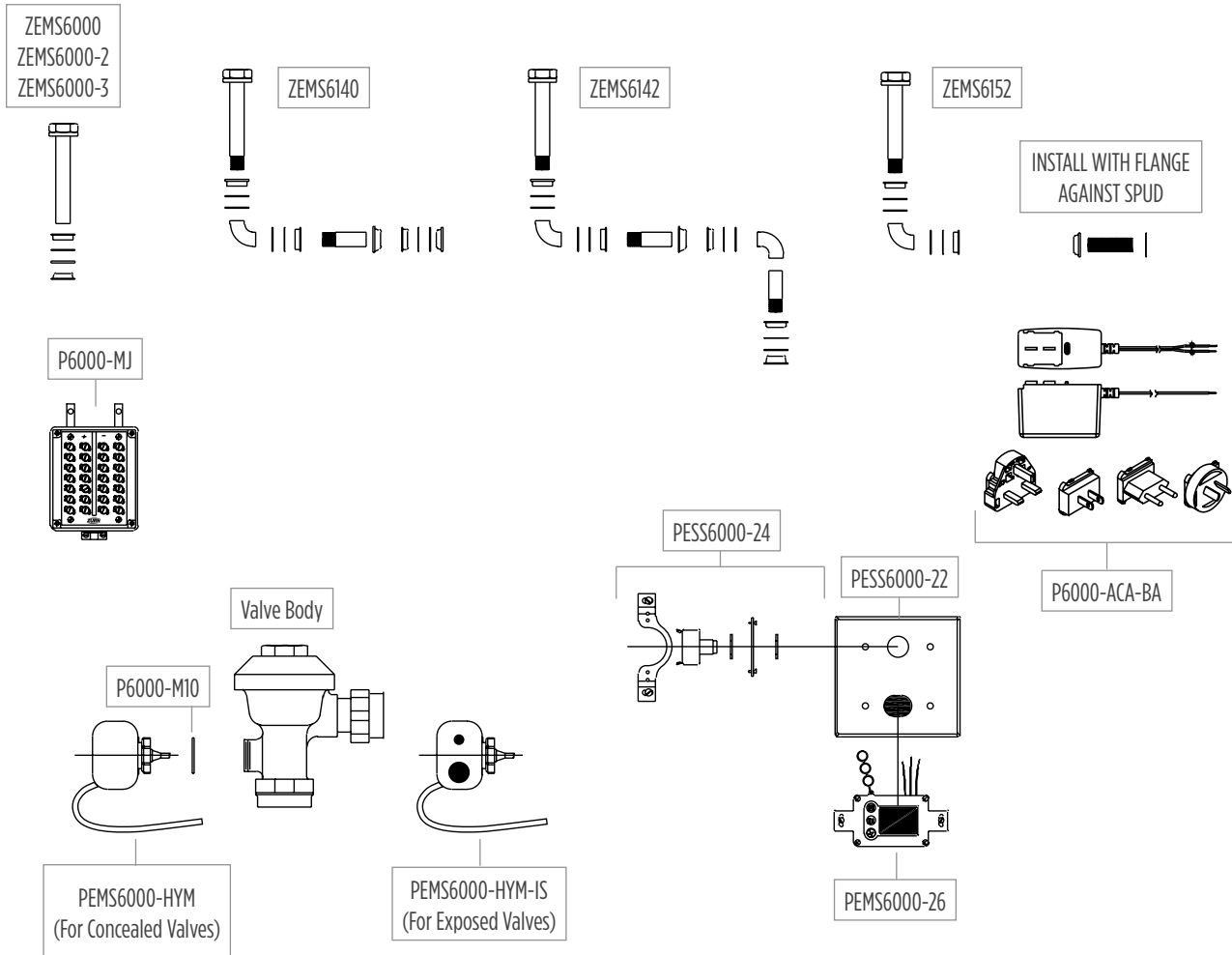
FAUCETS

TEMP-GARD®

TUBULAR BRASS

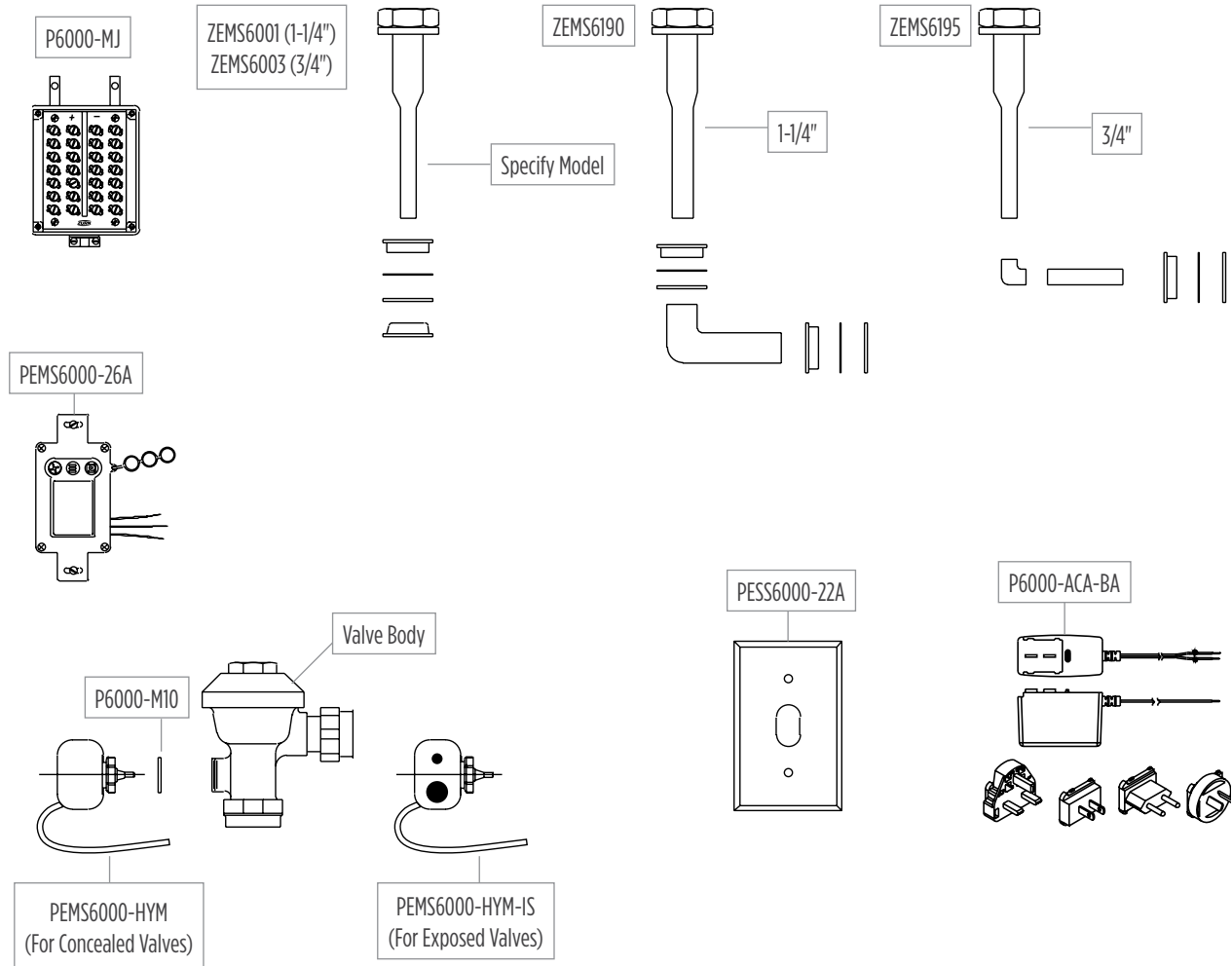
FIXTURES

AQUAPARTS® REPAIR PARTS AND ASSEMBLIES



NO.	PRODUCT NO.	DESCRIPTION
	<b>PEMS6000-26</b>	Sensor for Closet ZEMS
	<b>PEMS6000-HYM</b>	Actuator Assembly for ZEMS Valves - Concealed
	<b>PEMS6000-HYM-IS</b>	Actuator Assembly for ZEMS Valves - Exposed
	<b>PESS6000-22</b>	Closet Sensor Cover Plate with Override Hole - 4" x 4"
	<b>PESS6000-24</b>	Override Push Button Assembly
	<b>P6000-M10</b>	Handle Gasket
	<b>P6000-MJ</b>	Mini Junction Box (Shown Less Cover)
	<b>P6000-ACA-BA</b>	6 VDC Power Converter
	<b>P6000-HW6</b>	Hardwire Power Converter (Not Shown)

# ZEMS Urinal Valve Replacement Parts



NO.	PRODUCT NO.	DESCRIPTION
	<b>PEMS6000-26A</b>	Sensor for Urinal ZEMS
	<b>PEMS6000-HYM</b>	Actuator Assembly for ZEMS Valves - Concealed
	<b>PEMS6000-HYM-IS</b>	Actuator Assembly for ZEMS Valves - Exposed
	<b>PESS6000-22A</b>	Urinal Sensor Cover Plate - 2" x 4"
	<b>P6000-M10</b>	Handle Gasket
	<b>P6000-MJ</b>	Mini Junction Box (Shown Less Cover)
	<b>P6000-ACA-BA</b>	6 VDC Power Converter
	<b>P6000-HW6</b>	Hardwire Power Converter (Not Shown)

For more information, see FV38-WCS



# ZEMS G2 Series Replacement Parts

FLUSH VALVES

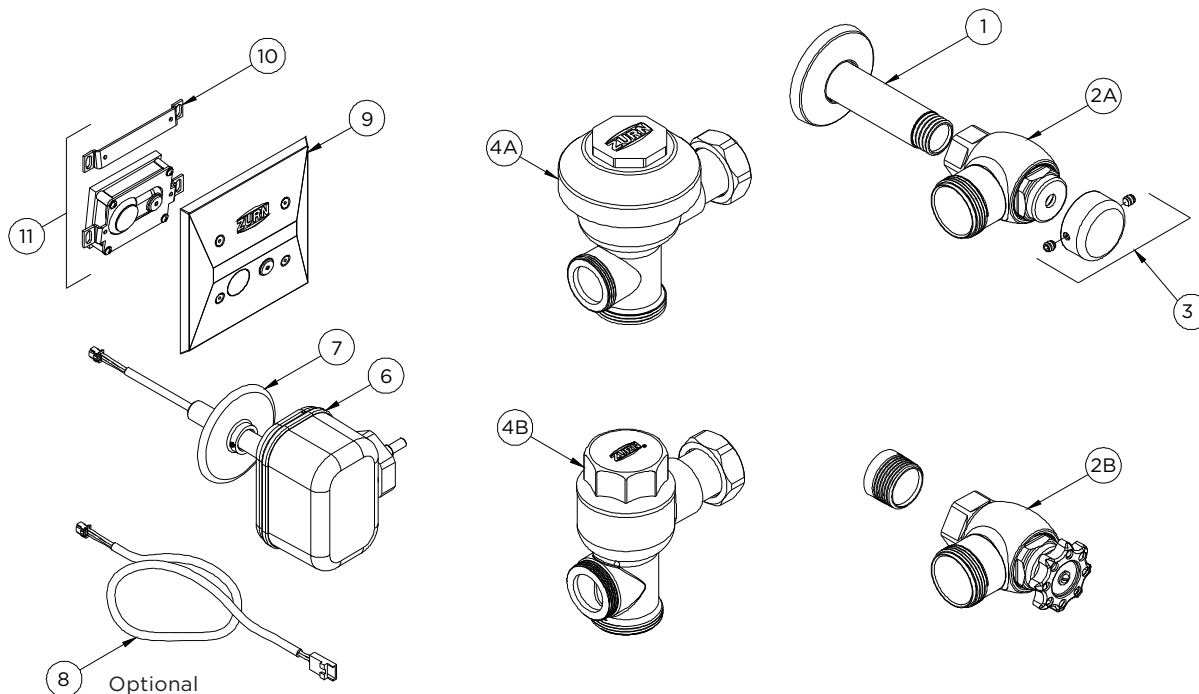
FAUCETS

TEMP-GARD®

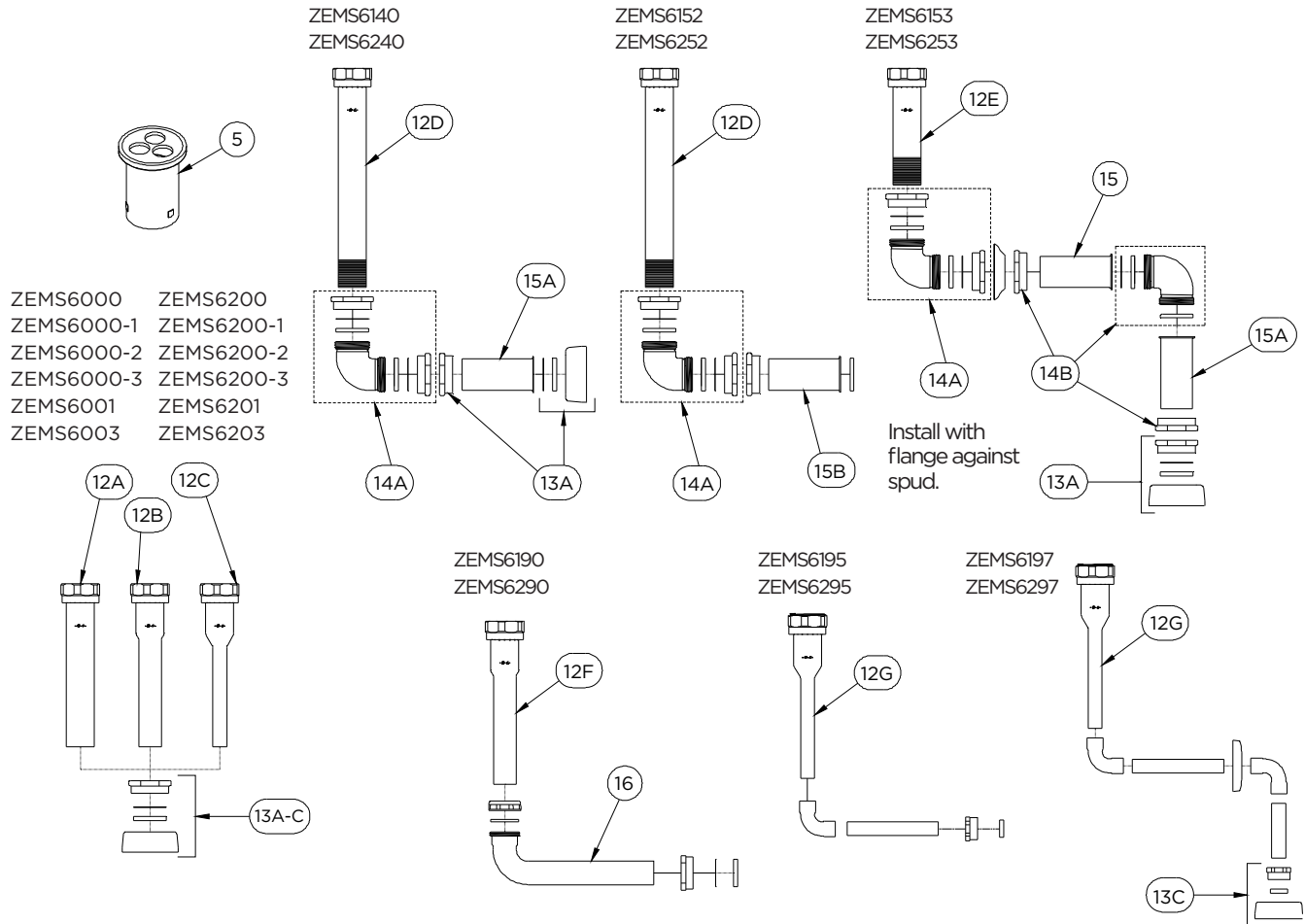
TUBULAR BRASS

FIXTURES

AQUAPARTS® REPAIR PARTS AND ASSEMBLIES



NO.	PRODUCT NO.	DESCRIPTION
1	P6000-YBYC	Closet Cast Wall Escutcheon & Solder Kit
	P6003-YBYC	Urinal Cast Wall Escutcheon & Solder Kit
2A	P6000-C-SD-CP	Chrome Plated Closet Stop Assembly
	P6003-C-SD-CP	Chrome Plated Urinal Stop Assembly
	P6000-C-SD-RB	Rough Brass Closet Stop Assembly
	P6003-C-SD-RB	Rough Brass Urinal Stop Assembly
2B	P6000-C-WH-CP	Chrome Plated Closet Stop Assembly for Wheel Handle
	P6003-C-WH-CP	Chrome Plated Urinal Stop Assembly for Wheel Handle
	P6000-C-WH-RB	Rough Brass Closet Stop Assembly for Wheel Handle
	P6003-C-WH-RB	Rough Brass Urinal Stop Assembly for Wheel Handle
3	P6000-VC	Vandal-Resistant Control Stop Cover
4A	Varies(Z60 __,Z61 __)	Diaphragm Valve
4B	Varies(Z62 __)	Piston Valve
5	P6000-B-HP	Vacuum Breaker
6	PEMS6000-HYM-G2	ZEMS Actuator
7	PEMS6000-G	ZEMS Escutcheon
8	PEMS6000-CW-G2	Actuator Extention Cable, 24" (Optional - Max 2 per installation)
9	PEMS6000-22-G2	ZEMS Sensor Plate with fasteners



- ZEMS6000 ZEMS6200
- ZEMS6000-1 ZEMS6200-1
- ZEMS6000-2 ZEMS6200-2
- ZEMS6000-3 ZEMS6200-3
- ZEMS6001 ZEMS6201
- ZEMS6003 ZEMS6203

NO.	PRODUCT NO.	DESCRIPTION
10	PEMS6000-22-KIT-G2	ZEMS Top Bracket with fasteners
11	PEMS6000-26-G2	ZEMS Sensor with top bracket and fasteners
12A	P6000-A-AA-CP	Chrome Plated 1-1/2" X 8 1/2" Vacuum Breaker Assembly
	P6000-2-A-AA-CP	Chrome Plated 1-1/2" X 21" Vacuum Breaker Assembly
	P6000-3-A-AA-CP	Chrome Plated 1-1/2" X 24" Vacuum Breaker Assembly
12B	P6001-A-AA-CP	Chrome Plated 1-1/4" X 8 1/2" Vacuum Breaker Assembly
12C	P6003-A-AA-CP	Chrome Plated 3/4" X 8 1/2" Vacuum Breaker Assembly
12D	P6000-1-A-AA-RB	Rough Brass 1-1/2" X 12 1/2" Vacuum Breaker Assembly
12E	P6000-A-AA-RB	Rough Brass 1-1/2" X 5" Vacuum Breaker Assembly
12F	P6001-10-A-AA-RB	Rough Brass 1-1/4" X 10" Vacuum Breaker Assembly
12G	P6003-10-A-AA-RB	Rough Brass 3/4" X 10" Vacuum Breaker Assembly
13A	P6000-H	1 1/2" Spud Coupling Assembly
13B	P6001-H	1 1/4" Spud Coupling Assembly
13C	P6003-H	3/4" Spud Coupling Assembly
14A	P6000-QE3-RB	Rough Brass 1 1/2" Slip Elbow Assembly
14B	P6000-QE3-CP	Chrome Plated 1 1/2" Slip Elbow Assembly
15A	P6000-QT1-xx	Chrome Plated Slotless Tube
15B	P6000-QT3-xx	Rough Brass Slotless Tube
16	Varies	Rough Brass Slip Elbow

# ZEMS G2 Series Replacement Parts

FLUSH VALVES

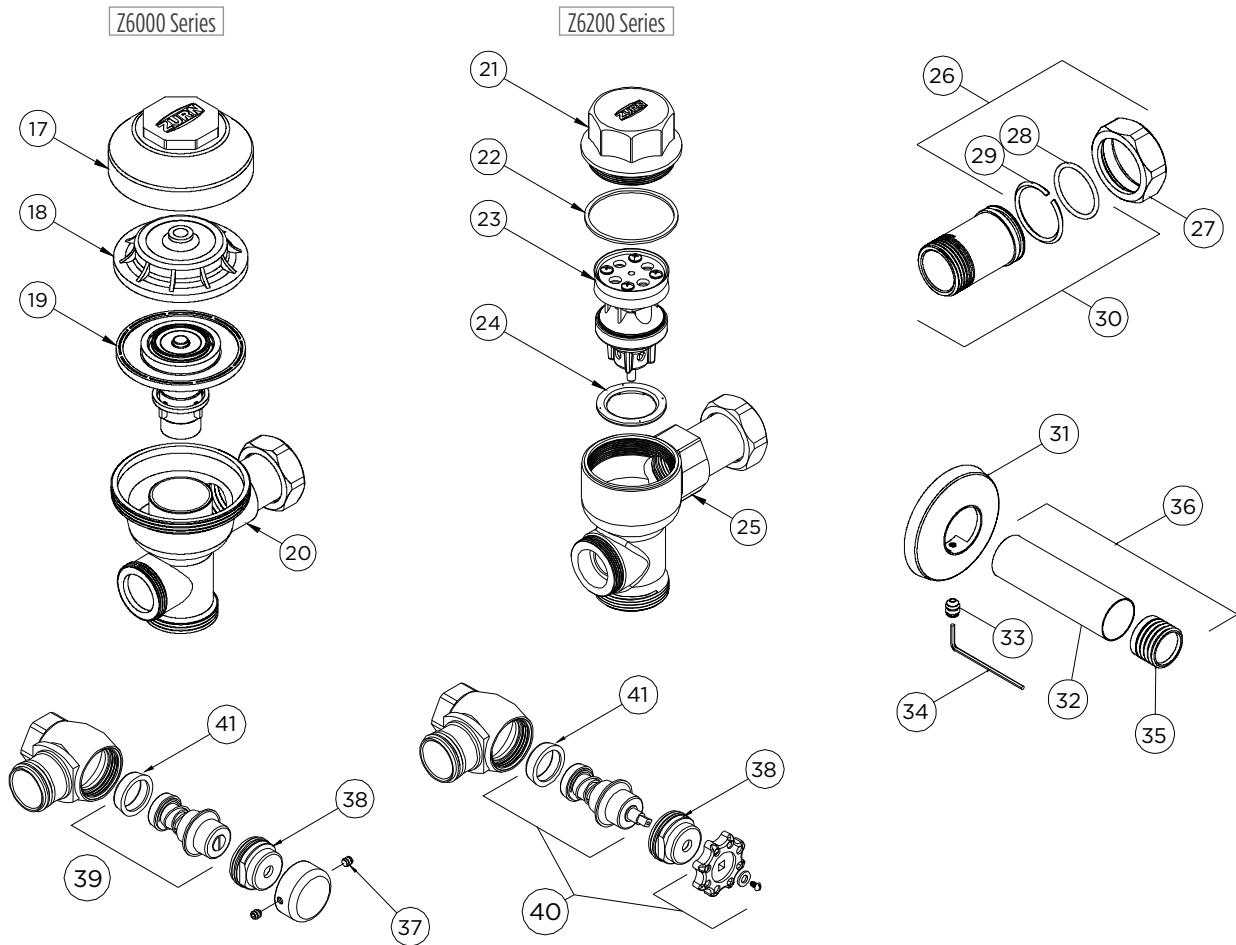
FAUCETS

TEMP-GARD®

TUBULAR BRASS

FIXTURES

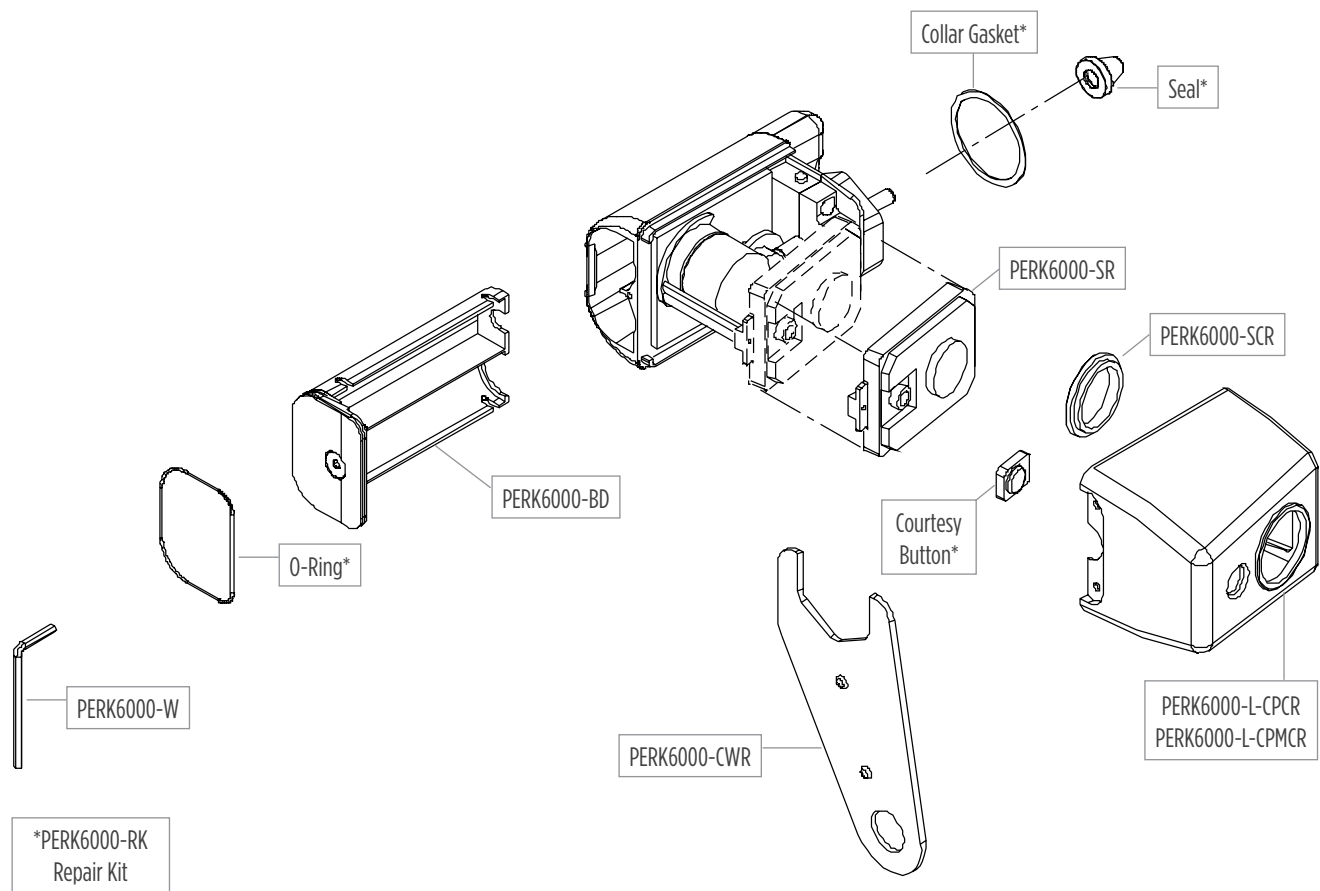
AQUAPARTS® REPAIR PARTS AND ASSEMBLIES



NO.	PRODUCT NO.	DESCRIPTION
<b>Diaphragm Valves (Z6000 Series)</b>		
17	P6000-LL-CP	Chrome Plated Valve Body Outside Cover
	P6000-LL-RB	Rough Brass Valve Body Outside Cover
	P6000-L	Valve Body Inside Cover
18	P6000-ECA-WS	Closet Repair Kit (3.5 gpf)
19	P6000-ECA-WS1	Low Consumption Closet Kit (1.6 gpf)
	P6000-ECA-HET	High Efficiency Closet Kit (1.28 gpf)
	P6000-EUA-WS	Urinal Repair Kit (1.5 gpf)
	P6000-EUA-WS1	Low Consumption Urinal Kit (1.0 gpf)
	P6000-EUA-EWS	High Efficiency Urinal Kit (0.5 gpf)
	P6000-EUA-ULF	Pint Urinal Kit (0.125 gpf)
20	P6000-19__	Valve Body
<b>Piston Valves (Z6200 Series)</b>		
21	P6200-LL	Valve Body Cover
21	P6200-L12	Valve Body Cover Gasket
23	P6200-EC	Closet Repair Kit (3.5 gpf)
	P6200-EC-WS1	Low Consumption Closet Kit (1.6 gpf)
	P6200-EC-HET	High Efficiency Closet Kit (1.28 gpf)
	P6200-EU	Urinal Repair Kit (1.5 gpf)
	P6200-EU-WS1	Low Consumption Urinal Kit (1.0 gpf)
24	P6200-E14	Main Seat
25	Varies	Valve Body

NO.	PRODUCT NO.	DESCRIPTION
<b>Piston Valves (Z6200 Series)</b>		
26	P6000-K	Tailpiece Coupling Assembly
27	P6000-C32-CP	Chrome Plated Locking Nut
	P6000-C32-RB	Rough Brass Locking Nut
28	P6000-C31	Tailpiece O-Ring
29	P6000-C30	Snap Ring
30	P6000-J__	Adjustable Tailpiece Assembly
31	P6000-YC	1" Cast Wall Escutcheon
	P6003-YC	3/4" Cast Wall Escutcheon
32	P6000-YB-CVR	1" Supply Cover Tube
	P6003-YB-CVR	3/4" Supply Cover Tube
33	P6000-YC-SS	Setscrew for Cast Wall Escutcheon
34	P6000-VC-W-VP	5/64" Allen Wrench
35	P6001-YBA	1" Sweat Solder Adapter
	P6003-YBA	3/4" Sweat Solder Adapter
36	P6001-YB	1" Sweat Solder Kit
	P6003-YB	3/4" Sweat Solder Kit
37	P6000-VC-SS	Set Screw for Control Stop Cover
38	P6000-C34-CP	Chrome Plated Stop Cap Bonnet
	P6000-C34-RB	Rough Brass Stop Cap Bonnet
39	P6000-D-SD	Stop Cap Internals
40	P6000-D-WH	Stop Cap Internals with Wheel Handle
41	P6000-D42	Stop Seat

# E-Z Flush® Replacement Parts



NO.	PRODUCT NO.	DESCRIPTION
	PERK6000-L-CPCR	Chrome Plastic Cover
	PERK6000-L-CPMCR	Chrome Metal Cover
	PERK6000-SCR	Replacement Lens
	PERK6000-CWR	Handle Nut Wrench
	PERK6000-BD	Battery Drawer
	PERK6000-W	Allen Wrench
	PERK6000-SR	Sensor Module
	PERK6000-RK	Repair Kit - Includes Courtesy Button Cap, O-Ring, Collar Gasket, and Seal
	PERK6000-MRK	Handle Port Repair Kit - Includes Retainer, Collar Gasket, and Seal
	PERK6000-RK	E-Z Flush Handle Repair Kit - Battery Tray O-Ring, Handle Gasket, Seal, & Rubber Push Button

For more information, see FV237

# RetroFlush® Replacement Parts

NO.	PRODUCT NO.	DESCRIPTION
-----	-------------	-------------

## Covers

	P6000-LL-CP	Outside Brass Cover - CP
	P6000-L	Inside Plastic Cover

## Replacement Kits

	PR6000-EC-FF	Closet Replacement Kit – 4.5 gal.
	PR6000-EC-WS	Water Saving Closet Replacement Kit – 3.5 gal.
	PR6000-EC-WS1	Low Consumption Closet Replacement Kit – 1.6 gal.
	PR6000-EC-WS1-DF	Dual Flush Closet Replacement Kit - 1.6 / 1.1 GPF
	PR6000-EU	Urinal Replacement Kit – 3.0 gal.
	PR6000-EU-WS	Water Saving Urinal Replacement Kit – 1.5 gal.
	PR6000-EU-WS1	Low Consumption Urinal Replacement Kit – 1.0 gal.

## Replacement Parts - Inside Components

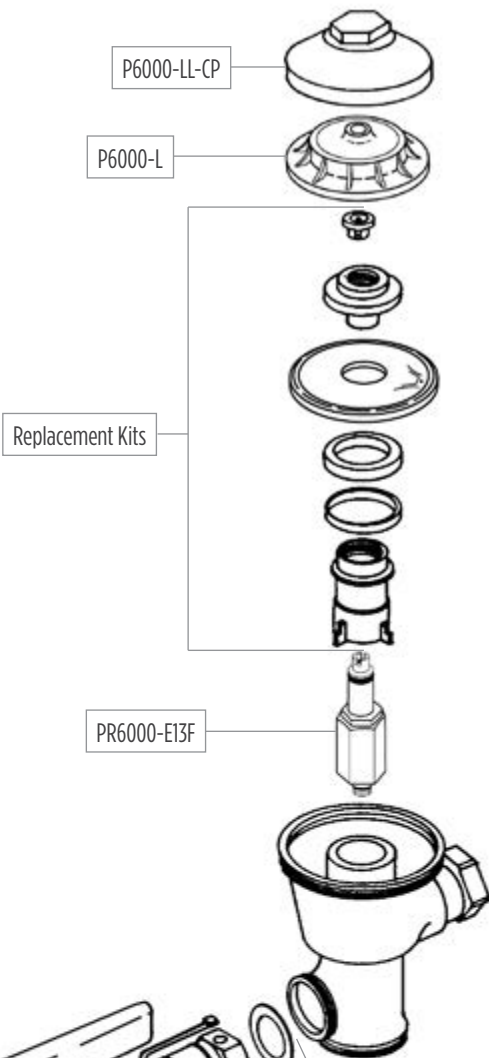
	PR6000-E13F	Trip Mechanism (Riser Tube) with Filter
	PR6000-EC25	Black Volume Control – 4.5 GPF
	PR6000-EC25-WS	White Volume Control – 3.5 GPF
	PR6000-EC25-WS1	Orange Volume Control – 1.6 GPF
	PR6000-EC25-WS1-DF	Red Volume Control F/Dual Flush - 1.6 GPF
	PR6000-EU25	Orange Volume Control – 3.0 GPF
	PR6000-EU25-WS	Green Volume Control – 1.5 GPF
	PR6000-EU25-WS1	Yellow Volume Control – 1.0 GPF

## Sensor Module Replacement Parts

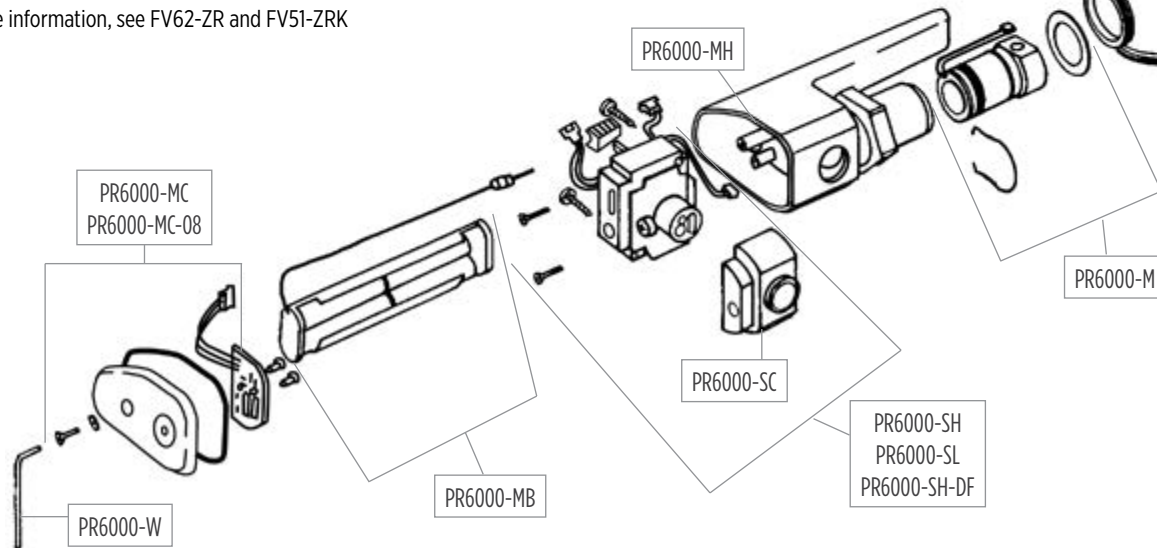
	PR6000-M	Solenoid Valve Replacement Kit – Includes Solenoid, Quad Ring, Retainer Clip, -M10 Handle Gasket, Grease
	PR6000-SH	Sensor Kit - Closet (3, 4, 5, 6)
	PR6000-SL	Sensor Kit - Urinal (3, 4, 5, 6)
	PR6000-SH-DF	Sensor Kit - Closet Dual Flush (3, 4, 5, 6)
	PR6000-MB	Battery Holder with Connecting Cable
	PR6000-MC-G3	Oval Style Metal Cover - G3
	PR6000-MC-OB-G3	Oval Style Metal Cover with Override Button - G3
	PR6000-W	Vandal-Resistant Cover Wrench

## Rebuild Kit

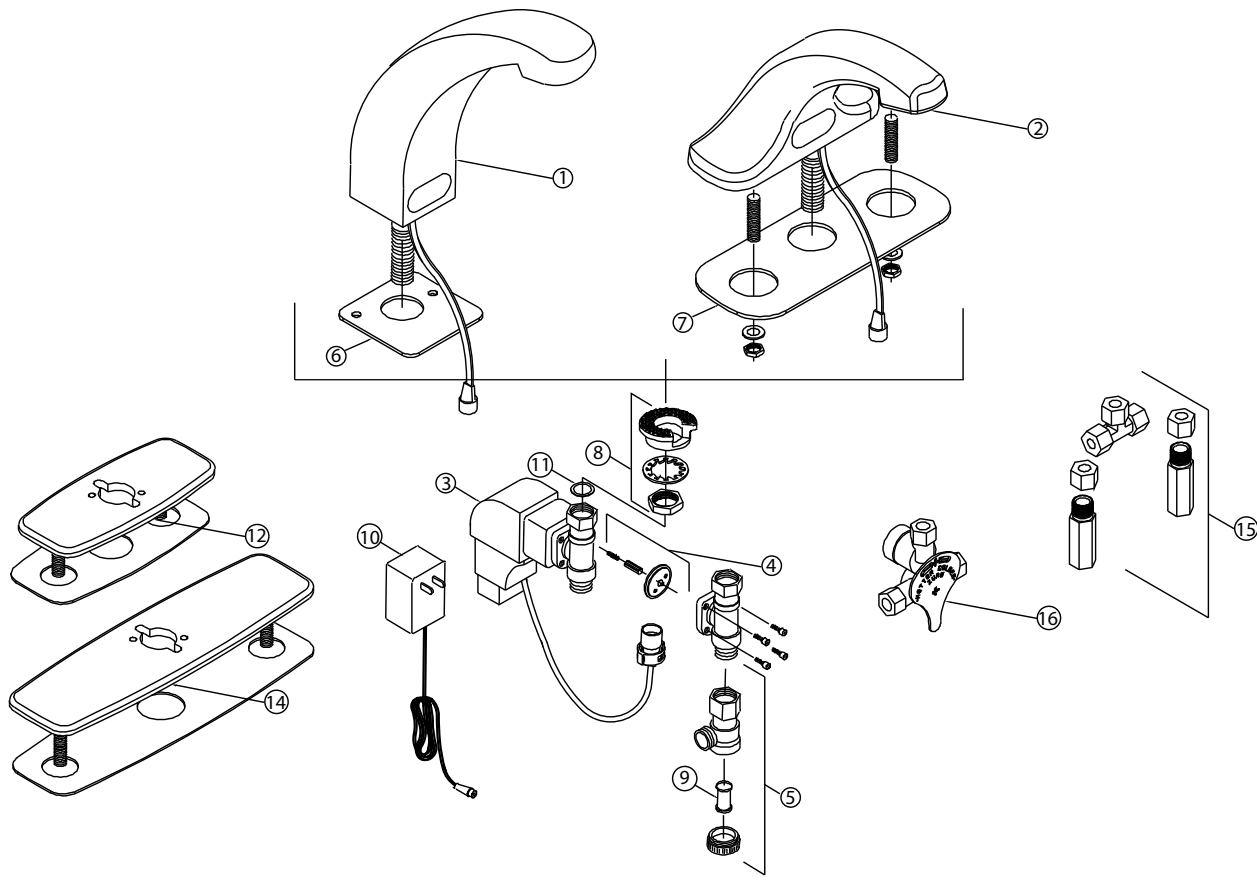
	PR6000-KIT	RetroFlush Rebuild Kit - Includes Solenoid Valve, Filtered Riser Tube, Diaphragm, Handle Gasket, Retainer Clip, Battery Connecting Cable, Silicone Lubricant, and Instruction Sheet
--	------------	---



For more information, see FV62-ZR and FV51-ZRK



# AquaSense® E-Z Sensor - Z6913-XL and Z6915-XL Faucets Replacement Parts

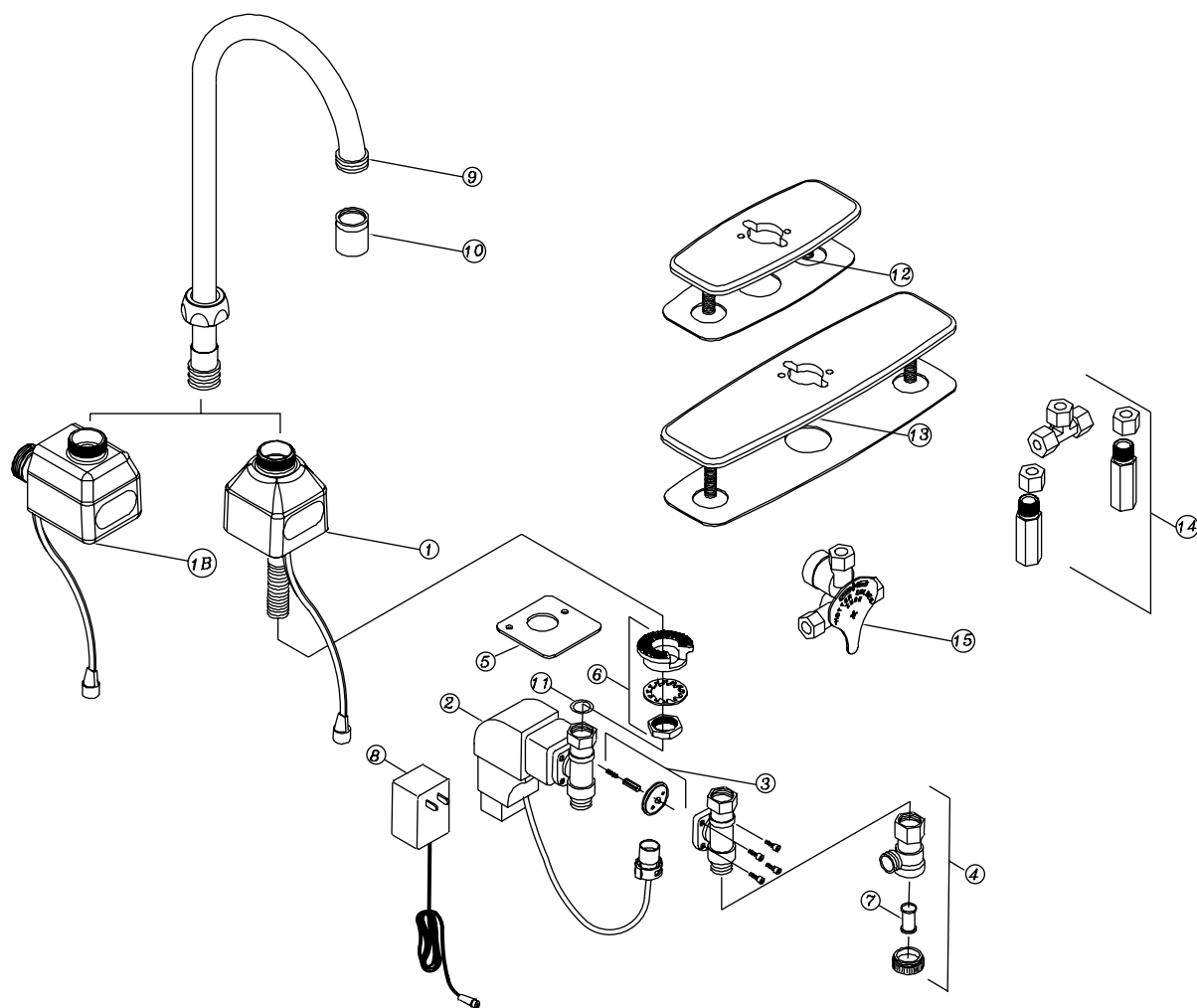


NO.	PRODUCT NO.	DESCRIPTION
1	P6913-XL-1	Z6913-XL Spout Assembly with Sensor
2	P6915-XL-1	Z6915-XL Spout Assembly with Sensor
3	P6900-B-L	Electronics Box with Solenoid
4	P6900-SRK	Solenoid Rebuild Kit (Diaphragm, Plunger, and Plunger Spring)
5	P6900-120B	Filter Kit
6	P6913-42	Z6913-XL Base Plate Gasket
7	P6915-42	Z6915-XL Base Plate Gasket
8	P6900-43	Mounting Kit (Specify Faucet Model)
9	P6900-MV-7	Filter Screen
10	P6900-ACA	Optional Plug-in Power Converter
12	P6900-SG	Shank Connection Gasket
13	P6900-CP4	4" Cast Cover Plate with Gasket
14	P6900-CP8	8" Cast Cover Plate with Gasket
15	P6900-MT-XL	Mixing Tee with Filters and Backchecks
16	P6900-MV	Manual Mixing Valve with Filter and Backchecks

When ordering parts, always list product number and description.

For additional product information, please visit [www.zurn.com](http://www.zurn.com).

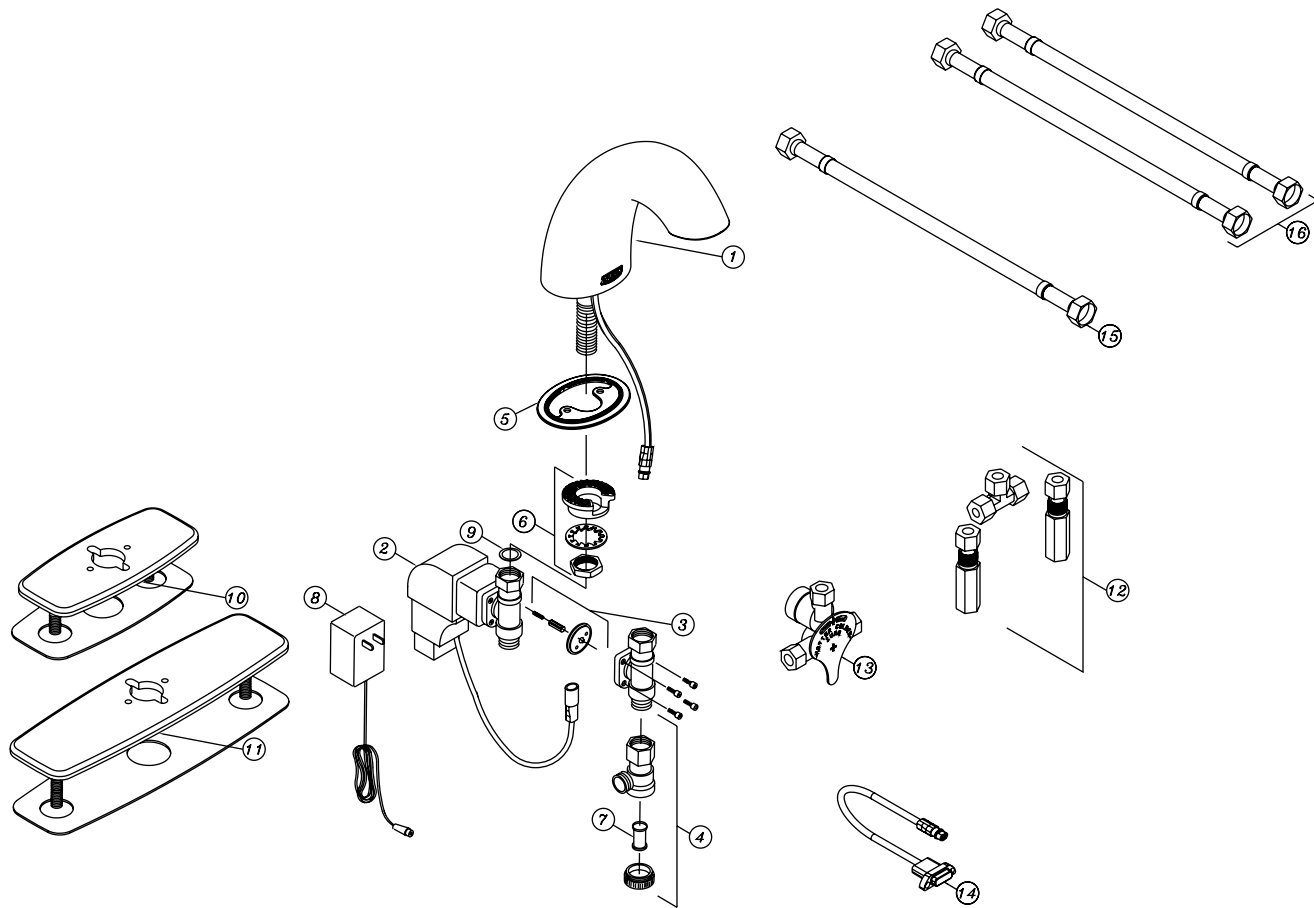
# AquaSense® E-Z Sensor - Z6920-XL (Deck Mount) and Z6922-XL (Back Mount) Faucet Replacement Parts



NO.	PRODUCT NO.	DESCRIPTION
1	P6920-XL-1	Spout Base with Sensor Assembly
2	P6900-B-L	Electronics Box with Solenoid
3	P6900-SRK	Solenoid Rebuild Kit (Diaphragm, Plunger, and Plunger Spring)
4	P6900-120B	Filter Kit
5	P6920-42	Base Plate Gasket
6	P6920-43	Mounting Kit
7	P6900-MV-7	Filter Screen
8	P6900-ACA	Optional Plug-in Power Converter
9	P6900-GB	5-3/8" Gooseneck Spout with Nut
10	P6900-20E-GN	1.5 GPM Vandal-Resistant Aerator
11	P6900-SG	Shank Gasket
12	P6900-CP4	4" Cast Cover Plate with Gasket
13	P6900-CP8	8" Cast Cover Plate with Gasket
14	P6900-MT-XL	Mixing Tee with Filters and Backchecks
15	P6900-MV	Manual Mixing Valve with Filter and Backchecks

For more information, see FV321

# AquaSense® E-Z Sensor - Z6930-XL Faucet Replacement Parts



NO.	PRODUCT NO.	DESCRIPTION
1	P6930-XL-1	Z6930 Spout Assembly with Sensor
2	P6930-XL-B-L	Electronics Box with Solenoid
3	P6900-SRK	Solenoid Rebuild Kit (Diaphragm, plunger and plunger spring)
4	P6900-120B	Filter Kit
5	P6930-XL-42	Z6930 Base Plate Gasket
6	P6900-43	Mounting Kit
7	P6900-MV-7	Filter Screen
8	P6900-ACA	Optional Plug-in Power Converter
9	P6900-SG	Shank Connection Gasket
10	P6900-CP4	4" Cast Cover Plate with Gasket
11	P6900-CP8	8" Cast Cover Plate with Gasket
12	P6900-MT-XL	Mixing Tee with Filters and Back Checks
13	P6900-MV-XL	Mixing Valve with Filter
14	P6930-XL-EL	Z6930 Sensor Assembly
15	P6900-SSH	Single Stainless Supply Hose (XL)
16	P6900-SSH-2	Dual Stainless Supply Hoses (XL)

For more information, see FV254

When ordering parts, always list product number and description.

For additional product information, please visit [www.zurn.com](http://www.zurn.com).



# Z6950 Aqua-FIT® Serio Series® Replacement Parts

FLUSH VALVES

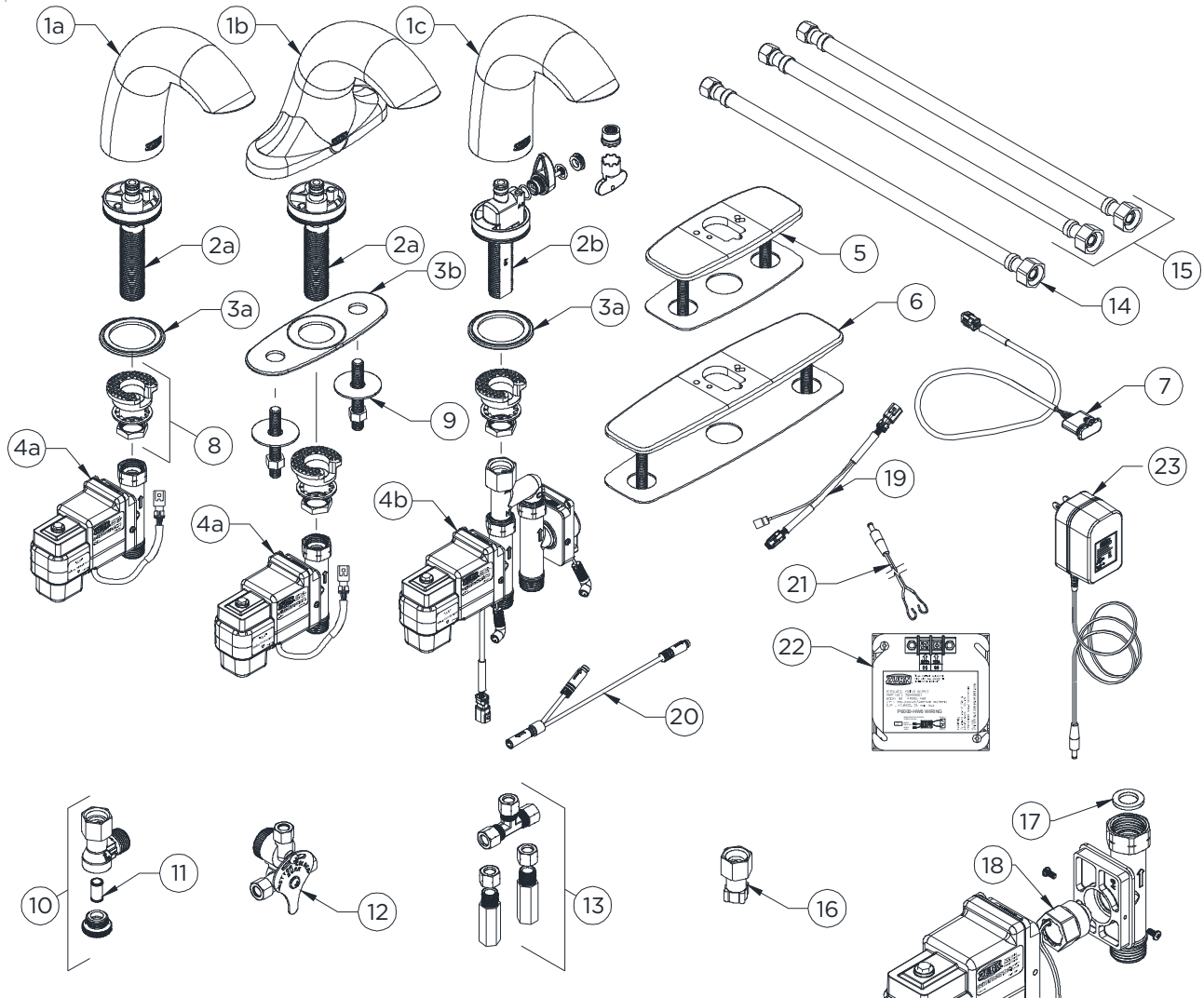
FAUCETS

TEMP-GARD®

TUBULAR BRASS

FIXTURES

AQUAPARTS® REPAIR PARTS AND ASSEMBLIES



NO.	PRODUCT NO.	DESCRIPTION
1a	P6950-XL-S-1	Z6950 Spout Assembly with Sensor
1b	P6955-XL-S-1	Z6955 Spout Assembly with Sensor
1c	P6950-XL-S-IM-1	Z6950-IM Spout Assembly with Sensor
2a	P6950-XL-B	Spout shank base for Z6950/Z6955-XL
2b	P6950-XL-IM-B	Spout shank base for Z6950-XL-IM
3a	P6950-XL-42	Z6950 Spout base gasket
3b	P6950-XL-44	Z6955 Spout base gasket
4a	P6950-XL-B-L	Electronics Box with Solenoid - Z6950/55-XL
4b	P6950-XL-IM-B-L	Electronics Box with Solenoid - Z6950-XL-IM
i	P6950-XL-Y	Y pipe adaptor for Z6950-XL-IM model
ii	P6950-XL-H	Mixing Handle for Z6950-XL-IM model
iii	P6950-XL-C	Mixing handle plug/cap for Z6950-XL-IM
iv	P6950-XL-OS	Handle O-ring & Handle Screw for Z6950-XL-IM model
5	P6950-CP4	4" Cast Cover Plate w/Gasket
6	P6950-CP8	8" Cast Cover Plate w/Gasket
7	P6950-XL-EL	Z6950 Sensor Assembly

NO.	PRODUCT NO.	DESCRIPTION
8	P6900-43	Mounting Kit
9	P6912-43M	Widespread Mounting Kit
10	P6900-120	Filter Kit
11	P6900-MV-7	Filter Screen
12	P6900-XL-MV	Mixing Valve w/Filter
13	P6900-XL-MT	Mixing Tee w/Filters and Back Checks
14	P6900-SSH	Single Stainless Supply Hose (XL)
15	P6900-SH	Stainless Supply Hoses (XL)
16	P6900-MV-ADAP	Composite Mixing Valve Adaptor
17	P6900-SG	Shank Connection Gasket
18	P6950-SRK	Solenoid Rebuild Kit (Diaphragm, plunger and plunger spring)
19	P6950-XL-DC	Sensor Inline Connector
20	P6950-XL-YC	IM Solenoid Y Connector
21	P6900-CWB	-CWB Pigtail
22	P6900-HW6	-HW6 Power Supply
23	P6900-ACA	Optional Plug-in Power Converter



**NOTES**

FLUSH VALVES

FAUCETS

TEMP-GARD®

TUBULAR BRASS

FIXTURES

AQUAPARTS® REPAIR PARTS  
AND ASSEMBLIES



**NOTES**

FLUSH VALVES

FAUCETS

TEMP-GARD®

TUBULAR BRASS

FIXTURES

AQUAPARTS® REPAIR PARTS  
AND ASSEMBLIES

# ALPHANUMERIC INDEX

7000-3	104	61534001	86	G61754	87	G66684	87	G68047	55	P6000-A-CP	178
7000-3D	104	61602001	86	G61830	87	G66695	55	G68048	56	P6000-A-CP	180
7000-6C	104	61625001	86	G61859	86	G66696	55	G68049	55	P6000-A-CP	181
7000-11D	104	61625002	86	G61920	88	G66697	55	P5795-1	146	P6000-A-RB**	156
7000-12E	105	61699001	84	G61922	88	G66698	56	P5795-1	170	P6000AV-C-SD-CP	157
7000-32	104	61766001	86	G61924	88	G66699	56	P5795-2	146	P6000AV-C-SD-CP	181
7000-90	104	61896001	85	G61928	88	G66700	55	P5795-2	170	P6000-B	176
7073-33	101	61896001	88	G61994	102	G66701	56	P5795-3	146	P6000-B-HP	157
7073-80	101	62301001	88	G61995	88	G67774	55	P5795-3	170	P6000-B-HP	174
7073-81	101	62455001	86	G62494	53	G67775	56	P5795-4	146	P6000-B-HP	175
7080-92	102	62464001	87	G62494	88	G67788	102	P5795-4	170	P6000-B-HP	177
7081-92	102	62705001	87	G62619	55	G67795	55	P5795-5	146	P6000-B-HP	178
7082-92	102	63219001	88	G62620	55	G67796	56	P5795-5	170	P6000-B-HP	179
7300-81MT	104	63233001	86	G62621	55	G67800	102	P5795-6	146	P6000-B-HP	180
7340-920	105	63234001	87	G62738	84	G67801	105	P5795-6	170	P6000-B-HP	181
7342-PUA	105	63534001	86	G62739	84	G67812	105	P5795-7	146	P6000-B-HP	184
7342-PUA-STN	105	80242001	86	G62740	84	G67814	56	P5795-7	170	P6000-C30	157
7440-94FC/WK	105	92407001	85	G62753	87	G67815	56	P5795-8	146	P6000-C30	160
7440-94LA	105	92882001	86	G63237	87	G67816	55	P5795-8	170	P6000-C30	175
7440-94VP/WK	105	93534001	86	G63241	86	G67817	55	P5795-9	146	P6000-C30	176
7500-29	105	G60500	87	G63258	55	G67851	53	P5795-9	170	P6000-C30	177
58155018	88	G60501	54	G63272	86	G67851	88	P5795-10	146	P6000-C30	186
58252001	86	G60501	87	G63347	87	G67852	53	P5795-10	170	P6000-C31	157
59435001	88	G60501	105	G63361	86	G67852	88	P6000-1-A-AA-CP	156	P6000-C31	160
59436001	88	G60502	86	G63362	86	G67853	53	P6000-1-A-AA-RB	185	P6000-C31	174
59444001	86	G60503	54	G63363	86	G67853	88	P6000-1-A-CP	156	P6000-C31	175
59441001	88	G60503	87	G63364	87	G67856	88	P6000-1-A-CP	179	P6000-C31	176
59454001	87	G60503	105	G63366	86	G67857	88	P6000-1-A-RB**	156	P6000-C31	177
59454002	87	G60504	54	G63367	86	G67858	88	P6000-1-TPO	10	P6000-C31	178
59454003	87	G60504	87	G63384	56	G67866	88	P6000-2-A-AA-CP	156	P6000-C31	186
59459001	88	G60504	105	G63411	56	G67867	88	P6000-2-A-AA-CP	185	P6000-C32	176
59460001	88	G60508	54	G63413	55	G67868	88	P6000-2-A-CP	156	P6000-C32-CP	157
59517005	86	G60508	87	G63414	56	G67869	88	P6000-2-A-RB	156	P6000-C32-CP	160
59517006	86	G60508	105	G63464	87	G67889	87	P6000-2-TPO	10	P6000-C32-CP	177
59517007	86	G60515	54	G63504	55	G67890	53	P6000-3-A-AA-CP	156	P6000-C32-CP	186
59517008	86	G60515	87	G63505	56	G67890	88	P6000-3-A-AA-CP	185	P6000-C32-G-CP	157
59532001	86	G60522	87	G63506	56	G67891	53	P6000-3-A-CP	156	P6000-C32-G-CP	160
59666001	88	G60522	102	G63507	56	G67891	88	P6000-3-A-RB**	156	P6000-C32-G-RB	157
60077001	86	G60523	88	G63508	56	G67892	53	P6000-3-TPO	10	P6000-C32-G-RB	160
60078001	86	G60525	56	G63509	55	G67892	88	P6000-17-A-RB**	156	P6000-C32-RB	157
60080002	86	G60526	53	G63510	88	G67893	53	P6000-18A-01.5	156	P6000-C32-RB	160
60082001	86	G60526	88	G63511	55	G67893	88	P6000-19	165	P6000-C32-RB	175
60144001	86	G60528	87	G63512	55	G67894	53	P6000-19	186	P6000-C32-RB	186
60145001	86	G60530	86	G63561	56	G67894	88	P6000-19-J1	165	P6000-C33	157
60145002	86	G60548	87	G65333	86	G67895	53	P6000-19-RB	165	P6000-C33	181
60146001	86	G60551	87	G65336	87	G67895	88	P6000-22A-01.0**	156	P6000-C33-WH	157
60147001	86	G60553	88	G65339	86	G67898	86	P6000-22A-01.5**	156	P6000-C34-CP	157
60148001	86	G60554	88	G65503	87	G67915	86	P6000-22A-2.0**	156	P6000-C34-CP	186
60249332	86	G60555	88	G65505	86	G67922	86	P6000-24A-01.0	156	P6000-C34-RB	157
60382001	86	G60556	53	G65506	86	G67923	86	P6000-24A-01.5	156	P6000-C34-RB	186
60383001	86	G60556	88	G65508	56	G67924	56	P6000-24A-02.0	156	P6000-C34-Y0	157
60444001	86	G60557	88	G65509	55	G67925	55	P6000-30-A-AA-CP	156	P6000-C36-RB	162
60444002	86	G60558	87	G65514	86	G67963	53	P6000-30-A-CP	156	P6000-C36-RB	175
60445001	86	G60561	87	G66001	85	G67963	88	P6000-30-A-RB**	156	P6000-CG-SD-CP	157
60455001	86	G60561	102	G66002	85	G67964	53	P6000-36-A-AA-CP	156	P6000-CG-WH-CP	157
60460001	87	G60562	87	G66003	85	G67964	88	P6000-36-A-CP	156	P6000-C-SD-CP	157
60460002	87	G60573	54	G66004	85	G67983	88	P6000-A	174	P6000-C-SD-CP	174
60460003	87	G60573	87	G66005	85	G67984	88	P6000-A	176	P6000-C-SD-CP	177
60467001	86	G60574	54	G66601	55	G67985	88	P6000-A	177	P6000-C-SD-CP	178
60467002	86	G60574	87	G66601	84	G67986	88	P6000-A-AA-CP	156	P6000-C-SD-CP	180
60505001	86	G60576	54	G66602	56	G67987	88	P6000-A-AA-CP	185	P6000-C-SD-CP	184
60510001	88	G60576	87	G66602	84	G67990	53	P6000-A-AA-RB	185	P6000-C-SD-RB	184
60524001	86	G61071	54	G66604	87	G67990	88	P6000-AA-CP	156	P6000-C-WH-CP	157
60549001	88	G61071	87	G66605	87	G67991	53	P6000-AA-CP	174	P6000-C-WH-CP	184
60807001	86	G61072	54	G66618	87	G67991	88	P6000-AA-CP	178	P6000-C-WH-RB	157
60816001	86	G61072	87	G66619	53	G67992	53	P6000-AA-CP	179	P6000-C-WH-RB	175
60951001	88	G61073	86	G66619	88	G67992	88	P6000-AA-CP	180	P6000-C-WH-RB	177
61276002	86	G61078	88	G66678	87	G68012	56	P6000-AA-CP	181	P6000-C-WH-RB	184
61276003	86	G61080	86	G66679	87	G68013	55	P6000-AA-RB	156	P6000-D35	157
61283002	86	G61318	56	G66680	87	G68014	56	P6000-ACA-BA	181	P6000-D42	157
61319001	86	G61640	87	G66681	87	G68015	55	P6000-ACA-BA	182	P6000-D42	176
61406001	86	G61641	87	G66682	87	G68020	87	P6000-ACA-BA	183	P6000-D42	178
61488001	86	G61681	86	G66683	87	G68046	56	P6000-A-CP	156	P6000-D42	180

P6000-D42	181	P6000-EUA-FF	158	P6000-J1	178	P6000-MK	161	P6000-P3	163	P6000-TPE	165
P6000-D42	186	P6000-EUA-FF	175	P6000-J1	181	P6000-MK	174	P6000-P3	179	P6000-TPF	10
P6000-D-SD	157	P6000-EUA-FF	177	P6000-JIG-CP	160	P6000-MK	176	P6000-P4	163	P6000-TPF	165
P6000-D-SD	174	P6000-EUA-FF-RK	158	P6000-J1-RB	175	P6000-MK	178	P6000-P4	179	P6000-TPO	10
P6000-D-SD	176	P6000-EUA-ULF	158	P6000-J2	160	P6000-ML	160	P6000-P8	163	P6000-VC	157
P6000-D-SD	177	P6000-EUA-ULF	174	P6000-J3	160	P6000-ML3	160	P6000-P8	179	P6000-VC	174
P6000-D-SD	178	P6000-EUA-ULF	186	P6000-J4	160	P6000-ML3-4	160	P6000-P8-1	163	P6000-VC	180
P6000-D-SD	181	P6000-EUA-ULF-RK	158	P6000-J5	160	P6000-ML3-4	162	P6000-P8-1	179	P6000-VC	181
P6000-D-SD	186	P6000-EUA-WS	158	P6000-J6	160	P6000-ML4	160	P6000-P8-3	163	P6000-VC	184
P6000-D-VP	176	P6000-EUA-WS	174	P6000-J7	160	P6000-ML4	162	P6000-P15	163	P6000-VC-SS	157
P6000-D-WH	157	P6000-EUA-WS	175	P6000-J9	160	P6000-M-ORK-0.5	163	P6000-P15	179	P6000-VC-SS	186
P6000-D-WH	175	P6000-EUA-WS	177	P6000-J10	17	P6000-M-ORK-0.125	163	P6000-P15-LO	163	P6000-VC-W-VP	157
P6000-D-WH	186	P6000-EUA-WS	186	P6000-J10	34	P6000-M-ORK-1.0	163	P6000-P15-LO	179	P6000-VC-W-VP	186
P6000-E14	159	P6000-EUA-WSI	158	P6000-J10	36	P6000-M-ORK-1.5	163	P6000-P50	163	P6000-YB	165
P6000-E14	176	P6000-EUA-WSI	174	P6000-J10	160	P6000-M-ORK-1.6	163	P6000-P50	166	P6000-YB	176
P6000-E16	159	P6000-EUA-WSI	175	P6000-J11	160	P6000-M-ORK-1.28	163	P6000-PC6	167	P6000-YBA	165
P6000-E16-LP	159	P6000-EUA-WSI	177	P6000-K	186	P6000-MYW	160	P6000-PN18	163	P6000-YBA	175
P6000-E16-WSI	159	P6000-EUA-WSI	186	P6000-EUA-WSI-TURN	159	P6000-MYW4	160	P6000-PN18	179	P6000-YBA	180
P6000-ECT3	159	P6000-EUA-WSI-RK	158	P6000-L	160	P6000-MYW4	162	P6000-PN19	163	P6000-YBA	181
P6000-ECT3	176	P6000-EUA-WS-RK	158	P6000-L	174	P6000-MYW4	160	P6000-PN19	179	P6000-YB-CVR	165
P6000-ECA	181	P6000-EUR-EWS	158	P6000-L	175	P6000-MYWK	160	P6000-PN20	163	P6000-YB-CVR	186
P6000-ECA-FF	158	P6000-EUR-EWS-RK	158	P6000-L	175	P6000-N-	175	P6000-PN20	179	P6000-YB-CVR6	181
P6000-ECA-FF	175	P6000-EUR-FF	158	P6000-L	176	P6000-NIB	162	P6000-PN21	163	P6000-YB-CVR7	36
P6000-ECA-FF	177	P6000-EUR-FF	175	P6000-L	177	P6000-NIB-W	162	P6000-PN21	179	P6000-YB-CVR7	165
P6000-ECA-FF-RK	158	P6000-EUR-FF	176	P6000-L	181	P6000-N3	162	P6000-PN22	163	P6000-YB-CVR36	36
P6000-ECA-HET	158	P6000-EUR-FF	177	P6000-L	186	P6000-N-3.75L	161	P6000-PN22	179	P6000-YB-CVR36	165
P6000-ECA-HET	174	P6000-EUR-FF-RK	158	P6000-L	188	P6000-N3B	162	P6000-QE1-CP	164	P6000-YBYC	165
P6000-ECA-HET	186	P6000-EUR-FP	159	P6000-L	181	P6000-N-4.75L	161	P6000-QE2-CP	164	P6000-YBYC	174
P6000-ECA-HET-RK	158	P6000-EUR-ONE	158	P6000-L	186	P6000-N-5.75L	161	P6000-QE3-CP	164	P6000-YBYC	177
P6000-ECA-ONE	158	P6000-EUR-WS	158	P6000-L	176	P6000-N-6.75L	161	P6000-QE3-CP	185	P6000-YBYC	178
P6000-ECA-PWS	158	P6000-EUR-WS	175	P6000-L	177	P6000-N-7.75L	161	P6000-QE3-RB	164	P6000-YBYC	180
P6000-ECA-PWS	174	P6000-EUR-WS	176	P6000-L	181	P6000-N-8.75L	161	P6000-QE3-RB	185	P6000-YBYC	181
P6000-ECA-PWS-RK	158	P6000-EUR-WS	177	P6000-L	186	P6000-N-9.75L	161	P6000-QE5-RB	164	P6000-YBYC	184
P6000-ECA-WS	158	P6000-EUR-WSI	158	P6000-L	188	P6000-N-10.75L	161	P6000-QE6-RB	164	P6000-YC	165
P6000-ECA-WS	174	P6000-EUR-WSI	175	P6000-L	160	P6000-N-11.75L	161	P6000-QFC	175	P6000-YC	181
P6000-ECA-WS	175	P6000-EUR-WSI	176	P6000-L	175	P6000-N-12.75L	161	P6000-QFC-1	164	P6000-YC	186
P6000-ECA-WS	177	P6000-EUR-WSI	177	P6000-L	175	P6000-N-13.75L	161	P6000-QFC-2	164	P6000-YC-SS	186
P6000-ECA-WS	186	P6000-EUR-WSI-RK	158	P6000-L	186	P6000-N-14.75L	161	P6000-QFC-3	164	P6000-YE	165
P6000-ECA-WSI	158	P6000-EUR-WSI-RK	176	P6000-L	160	P6000-NK	162	P6000-QFC-4	164	P6000-YH	165
P6000-ECA-WSI	174	P6000-EUR-WS-RK	158	P6000-L	160	P6000-NK	175	P6000-QFC-5	164	P6000-YJ	165
P6000-ECA-WSI	175	P6000-EUR-WS-RK	176	P6000-MI-CP	160	P6000-NL	175	P6000-QFC-6	164	P6000-YJ8	165
P6000-ECA-WSI	177	P6000-FA	160	P6000-MI-RB	162	P6000-NL3	175	P6000-QFC-7	164	P6000-YJ12	165
P6000-ECA-WSI	186	P6000-G	180	P6000-MI-RB	160	P6000-NL3-3.75L	162	P6000-QFC-8	164	P6000-YK	165
P6000-ECA-WSI-RK	158	P6000-G	159	P6000-M4	160	P6000-NL3-4.75L	162	P6000-QFC-9	164	P6000-YK8	165
P6000-ECA-WS-RK	158	P6000-G-TUBE	159	P6000-M4	162	P6000-NL3-5.75L	162	P6000-QFC-10	164	P6000-YK12	165
P6000-ECR-FF	158	P6000-H	159	P6000-M4-ADA	160	P6000-NL3-6.75L	162	P6000-QFC-11	164	P6000-YO	165
P6000-ECR-FF	175	P6000-H	174	P6000-M4-BG	160	P6000-NL3-7.75L	162	P6000-QFC-12	164	P6001-1-A-AA-CP**	156
P6000-ECR-FF	176	P6000-H	176	P6000-M9	160	P6000-NL3-7.75L	162	P6000-QFC-13	164	P6001-1-A-CP**	156
P6000-ECR-FF	177	P6000-H	177	P6000-M9	162	P6000-NL3-8.75L	162	P6000-QFC-14	164	P6001-2-A-AA-CP	156
P6000-ECR-FF-RK	158	P6000-H	178	P6000-M9	175	P6000-NL3-9.75L	162	P6000-QFC-15	164	P6001-2-A-CP	156
P6000-ECR-FP	159	P6000-H	179	P6000-M9	176	P6000-NL3-10.75L	162	P6000-QFC-16	164	P6001-3-A-AA-CP**	156
P6000-ECR-ONE	158	P6000-H	180	P6000-M10	160	P6000-NL3-11.75L	162	P6000-QFC-17	164	P6001-3-A-CP**	156
P6000-ECR-PWS	158	P6000-H	181	P6000-M10	161	P6000-NL3-12.75L	162	P6000-QFC-18	164	P6001-10-A-AA-RB	185
P6000-ECR-PWS-RK	158	P6000-H	185	P6000-M10	162	P6000-NL3-13.75L	162	P6000-QFC-19	164	P6001-10-A-RB	156
P6000-ECR-WS	158	P6000-H26	159	P6000-M10	174	P6000-NL3-14.75L	162	P6000-QFC-20	164	P6001-A-AA-CP	156
P6000-ECR-WS	175	P6000-H27	159	P6000-M10	175	P6000-NL-3.75L	161	P6000-QFC-21	164	P6001-A-AA-CP	185
P6000-ECR-WS	176	P6000-H28	159	P6000-M10	176	P6000-NL-4.75L	161	P6000-QFC-22	164	P6001-A-CP	156
P6000-ECR-WS	177	P6000-HN-CP	159	P6000-M10	178	P6000-NL-5.75L	161	P6000-QFC-23	164	P6001-A-CP	178
P6000-ECR-WSI	158	P6000-HN-CP	179	P6000-M10	181	P6000-NL-6.75L	161	P6000-QFC-24	164	P6001-G-TUBE	159
P6000-ECR-WSI	175	P6000-HN-RB	159	P6000-M10	182	P6000-NL-7.75L	161	P6000-QFC-25	164	P6001-H	159
P6000-ECR-WSI	176	P6000-HN-RB	175	P6000-M10	183	P6000-NL-8.75L	161	P6000-QFC-27	164	P6001-H	174
P6000-ECR-WSI	177	P6000-HN-RB	175	P6000-M-ADA	160	P6000-NL-9.75L	161	P6000-QFC-28	164	P6001-H	176
P6000-ECR-WSI-RK	158	P6000-HNS-CP	159	P6000-M-ADA	161	P6000-NL-10.75L	161	P6000-QT1-4-CP	164	P6001-H	177
P6000-ECR-WSI-RK	176	P6000-HNS-RB	159	P6000-M-ADA	161	P6000-NL-11.75L	161	P6000-QT1-6-CP	164	P6001-H	178
P6000-ECR-WS-RK	158	P6000-HW6	20	P6000-M-ADA	176	P6000-NL-12.75L	162	P6000-QT1-8-CP	164	P6001-H	185
P6000-ECR-WS-RK	176	P6000-HW6	23	P6000-M-ADA	178	P6000-NL-13.75L	162	P6000-QT1-10-CP	164	P6001-H26	159
P6000-ECR-WS-RK	159	P6000-HW6	45	P6000-M-ADA-BG	160	P6000-NL-14.75L	162	P6000-QT1-12-CP	164	P6001-H27	159
P6000-EER	159	P6000-HW6	48	P6000-M-ADA-BG-DF	160	P6000-NL-14.75L	162	P6000-QT1-16-CP	164	P6001-H28	159
P6000-EG	159	P6000-HW6	49	P6000-M-ADA-DF	160	P6000-NYW3	162	P6000-QT1-18-CP	164	P6001-HN-CP	159
P6000-EGR	159	P6000-HW6	167	P6000-M-AV-ADA	160	P6000-NYW3	162	P6000-QT1-XX	185	P6001-HN-RB	159
P6000-EGU-WSI	159	P6000-HW6	171	P6000-MH	160	P6000-NYW-3.75L	162	P6000-QT3-4-RB	164	P6001-HN-RB	175
P6000-EG-WSI	159	P6000-HW6	181	P6000-MH	176	P6000-NYW-4.75L	162	P6000-QT3-6-RB	164	P6001-YB	186
P6000-ER15	159	P6000-HW6	182	P6000-MHK	160	P6000-NYW-5.75L	162	P6000-QT3-8-RB	164	P6001-YBA	186
P6000-ER15	176	P6000-HW6	183	P6000-MHK	176	P6000-NYW-6.75L	162	P6000-QT3-10-RB	164	P6003-1-A-AA-CP**	156
P6000-EU13	159	P6000-HW6	183	P6000-MJ	20	P6000-NYW-7.75L	162	P6000-QT3-12-RB	164	P6003-1-A-CP**	156
P6000-EU13	176	P6000-HW9	49	P6000-MJ	23	P6000-NYW-8.75L	162	P6000-QT3-16-RB	164	P6003-1-A-RB	156
P6000-EUA	181	P6000-HW12	49	P6000-MJ	167	P6000-NYW-9.75L	162	P6000-QT3-18-RB	164	P6003-2-A-AA-CP	156
P6000-EUA-EWS	158	P6000-J	186	P6000-MJ	171	P6000-NYW-10.75L	162	P6000-QT3-XX	185	P6003-2-A-CP	156
P6000-EUA-EWS	174	P6000-J1	160	P6000-MJ	182	P6000-NYW-11.75L	162	P6000-QT4	164	P6003-3-A-AA-CP**	156
P6000-EUA-EWS	186	P6000-J1	174	P6000-MJ	183	P6000-NYW-12.75L	162	P6000-R1	165	P6003-3-A-CP**	156
P6000-EUA-EWS-RK	158	P6000-J1	177	P6000-MJ	183	P6000-NYW-13.75L	162	P6000-TPE	10	P6003-3-A-CP**	156
		P6000-J1	177	P6000-MK	160	P6000-NYW-14.75L	162				

For additional product information, please visit [www.zurn.com](http://www.zurn.com).

P6003-10-A-AA-RB	185	P6200-LL	186	P6900-ADM-H4-XL	171	P6900-SRK	172	P6950-CP4	44	PEMS6000-HYM	182
P6003-10-A-RB	156	P6200-LL-CG	161	P6900-ADM-XL	49	P6900-SRK	189	P6950-CP4	173	PEMS6000-HYM	183
P6003-A-AA-CP	156	P6200-LL-CG	178	P6900-BAT-AA	172	P6900-SRK	190	P6950-CP4	192	PEMS6000-HYM-G2	184
P6003-A-AA-CP	185	P6200-LL-CP	161	P6900-BAT-AA	172	P6900-SRK	191	P6950-CP4-1	173	PEMS6000-HYM-IS	167
P6003-A-CP	156	P6200-LL-CP	178	P6900-BAT-AA	172	P6900-SSH	49	P6950-CP8	44	PEMS6000-HYM-IS	181
P6003-A-CP	178	P6200-MS	161	P6900-B-BD	172	P6900-SSH	171	P6950-CP8	173	PEMS6000-HYM-IS	182
P6003-A-CP	181	P6200-MS	178	P6900-B-BD	172	P6900-SSH	191	P6950-CP8	192	PEMS6000-HYM-IS	183
P6003-A-RB**	156	P6203-EU-EWS	161	P6900-B-L	172	P6900-SSH	192	P6950-CP8-2	173	PEMS6000-HYM-IS-FM12	167
P6003AV-C-SD-CP	157	P6203-EU-WS	178	P6900-B-L	172	P6900-SSH-2	171	P6950-SRK	44	PEMS6000-IS-CW	167
P6003-B-HP	157	P6203-EU-WS1	178	P6900-B-L	172	P6900-SSH-2	191	P6950-SRK	173	PEMS6000-IS-CW	181
P6003-C-SD-CP	157	P6900-20E	48	P6900-B-L	189	P6900-SSH-3	171	P6950-SRK	192	PERK6000-BD	167
P6003-C-SD-CP	174	P6900-20E	170	P6900-B-L	190	P6900-TMV-1-XL	49	P6950-XL-42	44	PERK6000-BD	187
P6003-C-SD-CP	177	P6900-20E-CG	48	P6900-CP4	49	P6900-TMV-XL	49	P6950-XL-42	173	PERK6000-BUTTON	167
P6003-C-SD-CP	178	P6900-20E-CG	170	P6900-CP4	171	P6900-XL-ADM	171	P6950-XL-42	192	PERK6000-BUTTON-HARD	167
P6003-C-SD-CP	184	P6900-20E-GN	48	P6900-CP4	189	P6900-XL-MT	171	P6950-XL-44	44	PERK6000-CWR	167
P6003-C-SD-RB	184	P6900-20E-GN	170	P6900-CP4	190	P6900-XL-MT	192	P6950-XL-44	173	PERK6000-CWR	187
P6003-C-WH-CP	157	P6900-20E-GN	190	P6900-CP4	191	P6900-XL-MT-1	171	P6950-XL-44	192	PERK6000-L-CPCR	167
P6003-C-WH-CP	184	P6900-20E-GN-CG	48	P6900-CP4-1	171	P6900-XL-MV	192	P6950-XL-B	44	PERK6000-L-CPCR	187
P6003-C-WH-RB	157	P6900-20E-GN-CG	170	P6900-CP4-GSK	171	P6900-XL-TMV	171	P6950-XL-B	173	PERK6000-L-CPMCR	167
P6003-C-WH-RB	175	P6900-20ES	48	P6900-CP8	49	P6900-XL-TMV-1	171	P6950-XL-B	192	PERK6000-L-CPMCR	187
P6003-C-WH-RB	177	P6900-20ES	170	P6900-CP8	171	P6912-43M	192	P6950-XL-B-L	44	PERK6000-MO	167
P6003-C-WH-RB	184	P6900-20F	48	P6900-CP8	189	P6913-42	189	P6950-XL-B-L	173	PERK6000-MRK	167
P6003-D-SD	157	P6900-20F	170	P6900-CP8	190	P6913-WEDGE	172	P6950-XL-B-L	192	PERK6000-MRK	187
P6003-D-WH	157	P6900-20F-GN	48	P6900-CP8	191	P6913-XL-1	172	P6950-XL-C	44	PERK6000-RK	167
P6003-G	159	P6900-20F-GN	170	P6900-CP8-2	171	P6913-XL-1	189	P6950-XL-C	173	PERK6000-RK	187
P6003-H	159	P6900-20FS	48	P6900-20FS	171	P6915-42	172	P6950-XL-C	192	PERK6000-RK	187
P6003-H	174	P6900-20FS	170	P6900-CWB	48	P6915-42	189	P6950-XL-DC	44	PERK6000-SCR	167
P6003-H	176	P6900-20-GN	48	P6900-CWB	49	P6915-MOUNTING-KIT	172	P6950-XL-DC	173	PERK6000-SCR	187
P6003-H	177	P6900-20-GN	170	P6900-CWB	171	P6915-WEDGE	172	P6950-XL-DC	192	PERK6000-SR	167
P6003-H	178	P6900-20J	48	P6900-CWB	192	P6915-XL-1	172	P6950-XL-EL	44	PERK6000-SR	187
P6003-H	180	P6900-20J	170	P6900-CWB-1	171	P6915-XL-1	189	P6950-XL-EL	173	PERK6000-W	167
P6003-H	181	P6900-20J-GN	48	P6900-GA	49	P6918-20E	172	P6950-XL-EL	192	PERK6000-W	187
P6003-H	185	P6900-20J-GN	170	P6900-GA	172	P6918-20F	172	P6950-XL-H	44	PERK6000-W-TC	167
P6003-H26	159	P6900-20JS	48	P6900-GB	49	P6918-100-HP	172	P6950-XL-H	173	PESS6000-22	167
P6003-H27	159	P6900-20JS	170	P6900-GB	172	P6918-120	172	P6950-XL-H	192	PESS6000-22	182
P6003-H28	159	P6900-20K	48	P6900-GB	190	P6918-BAT	172	P6950-XL-IM-B	44	PESS6000-22A	167
P6003-HN-CP	159	P6900-20K	170	P6900-GC	49	P6918-B-L	172	P6950-XL-IM-B	173	PESS6000-22A	183
P6003-HN-RB	159	P6900-20K-GN	48	P6900-GC	172	P6918-CP4	172	P6950-XL-IM-B	192	PESS6000-22B	167
P6003-HN-RB	175	P6900-20K-GN	170	P6900-GEN	49	P6918-CP8	172	P6950-XL-IM-B-L	44	PESS6000-22C	167
P6003-QFC-25	164	P6900-20L	48	P6900-GEN	171	P6918-RC	172	P6950-XL-IM-B-L	173	PESS6000-22D	167
P6003-YB	165	P6900-20L	170	P6900-GEN-BAT	171	P6918-W	172	P6950-XL-IM-B-L	192	PESS6000-23	167
P6003-YB	176	P6900-20L-GN	48	P6900-H4	171	P6920-42	172	P6950-XL-IM-SPOUT	44	PESS6000-24	167
P6003-YB	186	P6900-20L-GN	170	P6900-HW6	192	P6920-42	190	P6950-XL-IM-SPOUT	173	PESS6000-24	182
P6003-YBA	165	P6900-20LS	48	P6900-IA3	49	P6920-43	190	P6950-XL-OS	44	PESS6000-25	167
P6003-YBA	186	P6900-20LS	170	P6900-IA3	171	P6920-WEDGE	172	P6950-XL-OS	173	PESS6000-27	167
P6003-YB-CVR	165	P6900-20M	48	P6900-MT-XL	49	P6920-XL-1	172	P6950-XL-OS-1	192	PESS6000-28	167
P6003-YB-CVR	186	P6900-20M	170	P6900-MT-XL	189	P6920-XL-1	190	P6950-XL-S-1	44	PH6000-HY1	166
P6003-YB-CVR7	36	P6900-20M-GN	48	P6900-MT-XL	190	P6922-43	172	P6950-XL-S-1	173	PH6000-HY2	166
P6003-YB-CVR7	165	P6900-20M-GN	170	P6900-MT-XL	191	P6922-XL-1	172	P6950-XL-S-1	192	PH6000-HY6	166
P6003-YB-CVR36	36	P6900-20MS	48	P6900-MV	189	P6930-20E	45	P6950-XL-S-IM-1	44	PH6000-HY7	166
P6003-YB-CVR36	165	P6900-20MS	170	P6900-MV	190	P6930-20E	48	P6950-XL-S-IM-1	173	PH6000-HY8	166
P6003-YBYC	165	P6900-20N	48	P6900-MV-4	171	P6930-20E	171	P6950-XL-S-IM-1	192	PH6000-HY9	166
P6003-YBYC	174	P6900-20N	170	P6900-MV-5	171	P6930-20F	45	P6950-XL-SPOUT	44	PH6000-HY10	166
P6003-YBYC	178	P6900-20N-GN	170	P6900-MV-6	171	P6930-20F	48	P6950-XL-SPOUT	173	PH6000-HY11	166
P6003-YBYC	180	P6900-20WR	170	P6900-MV-7	171	P6930-20F	171	P6950-XL-Y	44	PH6000-HY12	166
P6003-YBYC	184	P6900-21	170	P6900-MV-7	189	P6930-20J	45	P6950-XL-Y	173	PH6000-HY15	166
P6003-YC	165	P6900-21	170	P6900-MV-7	190	P6930-20J	48	P6950-XL-Y	192	PH6000-HY17	166
P6003-YC	186	P6900-43	189	P6900-MV-7	191	P6930-20J	171	P6950-XL-YC	44	PH6000-HY18	166
P6003-YE	165	P6900-43	191	P6900-MV-7	192	P6930-20K	45	P6950-XL-YC	173	PH6000-HY19	166
P6017-ECR	159	P6900-43	192	P6900-MV-8	171	P6930-20K	48	P6950-XL-YC	192	PH6000-HY20	166
P6199-SC-1	33	P6900-120	192	P6900-MV-9	171	P6930-20K	171	P6955-XL-S-1	44	PH6000-HY20L	166
P6199-SC-1	165	P6900-120B	189	P6900-MV-ADAP	49	P6930-20L	45	P6955-XL-S-1	173	PH6000-HY21	166
P6199-SC-2	33	P6900-120B	190	P6900-MV-ADAP	171	P6930-20L	48	P6955-XL-S-1	192	PH6000-HY21L	166
P6199-SC-2	165	P6900-120B	191	P6900-MV-ADAP	192	P6930-20L	171	P6955-XL-SPOUT	44	PH6000-HY22	166
P6199-VPW	165	P6900-120BC	171	P6900-MVF-8	171	P6930-20M	45	P6955-XL-SPOUT	173	PH6000-HY23	166
P6200-E14	186	P6900-ACA	48	P6900-MV-XL	49	P6930-20M	48	PEMS6000-22-G2	184	PH6000-HY24	166
P6200-EC	186	P6900-ACA	171	P6900-MV-XL	171	P6930-20M	171	PEMS6000-22-KIT-G2	185	PH6000-HY25	166
P6200-EC-HET	161	P6900-ACA	189	P6900-MV-XL	191	P6930-20N	48	PEMS6000-26	167	PH6000-HY26	166
P6200-EC-HET	178	P6900-ACA	190	P6900-SG	172	P6930-20N	171	PEMS6000-26	182	PH6000-HY27	166
P6200-EC-HET	186	P6900-ACA	191	P6900-SG	172	P6930-20WR	171	PEMS6000-26A	167	PH6000-HY28	166
P6200-EC-WS	161	P6900-ACA	192	P6900-SG	172	P6930-XC-24	172	PEMS6000-26A	183	PH6000-HY29	166
P6200-EC-WS	178	P6900-ACA-BA	20	P6900-SG	189	P6930-XL-1	172	PEMS6000-26-G2	185	PH6000-HY32	166
P6200-EC-WS1	161	P6900-ACA-BA	23	P6900-SG	190	P6930-XL-1	191	PEMS6000-CON-KIT	167	PH6000-HY35	166
P6200-EC-WS1	178	P6900-ACA-BA	49	P6900-SG	191	P6930-XL-42	172	PEMS6000-CON-KIT-IS	167	PH6000-HY35	167
P6200-EC-WS1	186	P6900-ADM-1-H4-XL	171	P6900-SG	192	P6930-XL-42	191	PEMS6000-G-G2	184	PH6000-HY36	166
P6200-EU	186	P6900-ADM-1-XL	49	P6900-SH	49	P6930-XL-B-L	172	PEMS6000-FM12	167	PH6000-HY37	166
P6200-EU-WS	161	P6900-ADM-1-XL	171	P6900-SH	192	P6930-XL-B-L	191	PEMS6000-G	167	PH6000-HY40	166
P6200-EU-WS1	161	P6900-ADM-2-H4-XL	171	P6900-SH-XL	171	P6930-XL-EL	172	PEMS6000-G	184	PH6000-HY41	166
P6200-EU-WS1	186	P6900-ADM-2-XL	49	P6900-SRK	172	P6930-XL-EL	191	PEMS6000-G-SS	167	PH6000-HY41	177
P6200-L12	186	P6900-ADM-2-XL	171	P6900-SRK	172	P6950-43	173	PEMS6000-HYM	167	PH6000-HYA-FW	166

For additional product information, please visit [www.zurn.com](http://www.zurn.com).



PH6000-HYA-SW	166	PTR6200-EC	169	RK7000-100	104	TPK7300-SSC-STN	103	Z82512-6M	75	Z841M4	72
PH6000-HYL3-FW	166	PTR6200-EC	180	RK7000-110	104	TPK7300-SS-SSN	103	Z825U1-6M	76	Z841N1	72
PH6000-HYL3-FW	177	PTR6200-FA	169	RK7000-120	104	VARIES(Z60_Z61 )	184	Z825U2-6M	76	Z841NI-RC	72
PH6000-HYL-MB	166	PTR6200-HAS	169	RK7000-180	104	VARIES(Z62 )	184	Z825U4-6M	76	Z841N2	72
PH6000-HYL-MB	177	PTR6200-HSA	169	RK7000-200	104	Z21-1-PC	124	Z825V1-6M	76	Z841X1-XL	81
PH6000-HYLP-MBP	31	PTR6200-HSA	180	RK7073-50	104	Z21-3-NT	124	Z825V2-6M	76	Z841X1-XL-DM	81
PH6000-HYLP-MBP	166	PTR6200-HW-L-0.5	169	RK7300-11AE-001	104	Z30-2B-RB	128	Z825VA4-6M	76	Z842B1-XL	62
PH6000-HYLP-MBP	177	PTR6200-HW-L-0.25	169	RK7300-11AE-002	104	Z30-2-RB	128	Z825X1-XL	81	Z842A4-XL	62
PH6000-HYM	166	PTR6200-HW-L-0.125	169	RK7300-11AV	104	Z54-3-NT	128	Z826A1-XL-15F	79	Z842B1-XL	62
PH6000-HYMI1	166	PTR6200-HW-L-1.0	169	RK7300-20HB	104	Z54-5-NT	128	Z826B1-XL	76	Z842B2-XL	62
PH6000-SHYL3-SW	166	PTR6200-HW-L-1.1	169	RK7300-50A	104	Z54-6-NT	128	Z826B2-XL	76	Z842B4-XL	62
PH6000-SHYL3-SW	177	PTR6200-HW-L-1.6	169	RK7300-CART-3P	104	Z54-40-NT	128	Z826B4-XL	76	Z842C1-XL	62
PR6000-5	168	PTR6200-HW-L-1.28	169	RK7300-EXT	104	Z800H2-XL-AF-11F	84	Z826C1-XL	76	Z842C4-XL	62
PR6000-20-G3	168	PTR6200-HW-TUBE	169	RK7300-LH	100	Z800I2-XL-AF-11F	84	Z826C2-XL	76	Z842G1-XL-2XT	73
PR6000-23A	168	PTR6200-HW-TUBE-1	169	RK7300-LH	104	Z800J2-XL-AF-11F	78	Z826C4-XL	76	Z842D6-LSI-5XT	73
PR6000-B	168	PTR6200-L-0.5	169	RK7300-WF	100	Z800J2-XL-AF-11F	84	Z826F1-XL	76	Z842D6-LSI-LVB-PE-2XT	73
PR6000-E13F	168	PTR6200-L-0.5	169	RK7300-WF	104	Z800PO-HK-SE	83	Z826F2-XL	76	Z842D6-LSI-LVB-PE-5XT	73
PR6000-E13F	188	PTR6200-L-0.5	180	RK7440-3	105	Z800X0-XL-AF-PR1	84	Z826T1-6M	77	Z842F1-XL	62
PR6000-E13F-1	168	PTR6200-L-0.25	169	RK7440-36W	105	Z800X0-XL-PR1	84	Z826T2-6M	77	Z842F1-XL-15F	80
PR6000-E14	168	PTR6200-L-0.25	169	RK7440-90	105	Z800X0-XL-PR1-38	84	Z826T4-6M	77	Z842F2-XL	62
PR6000-E15A	168	PTR6200-L-0.25	180	RK7440-94SO	105	Z812A1-XL	59	Z826U1-6M	77	Z842F4-XL	62
PR6000-EC25	168	PTR6200-L-0.125	169	RK7440-CART	105	Z812A3-XL	59	Z826U2-6M	77	Z842G1-XL-15F	80
PR6000-EC25	188	PTR6200-L-0.125	169	RK7440-HK	105	Z812A4-XL	59	Z826U4-6M	77	Z842G4-XL	62
PR6000-EC25-WS	168	PTR6200-L-0.125	180	RK7440-LH	105	Z812B1-XL	59	Z826V1-6M	77	Z842H1-XL	62
PR6000-EC25-WS	188	PTR6200-L-1.0	169	RK7500-50A	105	Z812B1-XL-15F	79	Z826V2-6M	77	Z842H1-XL-15F	80
PR6000-EC25-WS1	168	PTR6200-L-1.0	169	RK7500-200	105	Z812B3-XL	59	Z826VA4-6M	77	Z842H4-XL	62
PR6000-EC25-WS1	188	PTR6200-L-1.0	180	RK7872C-94FC	105	Z812B4-XL	59	Z826X1-XL	81	Z842I1-XL	62
PR6000-EC25-WS1-DF	168	PTR6200-L-1.1	169	RK7872C-94LA	105	Z812C1-XL	59	Z831A1-XL	65	Z842I4-XL	62
PR6000-EC-FF	188	PTR6200-L-1.1	169	RK7872C-94VP	105	Z812C3-XL	59	Z831A4-XL	65	Z842J1-XL	62
PR6000-EC-FF	188	PTR6200-L-1.1	180	RK7872C-S0	105	Z812C4-XL	59	Z831B1-XL	65	Z842J1-XL-15F	80
PR6000-EC-WS	168	PTR6200-L-1.6	169	RK7872C-XL-3	105	Z812C4-XL-15F	79	Z831B4-XL	65	Z842J1-XL-AF-PR2	81
PR6000-EC-WS	188	PTR6200-L-1.6	169	RK7872C-XL-6	105	Z812F1-XL	60	Z831C1-XL	65	Z842J3-XL	62
PR6000-EC-WS1	168	PTR6200-L-1.6	180	RK7872C-XL-21	105	Z812F4-XL	60	Z831C3-XL	65	Z842J4-XL	62
PR6000-EC-WS1	188	PTR6200-L-1.28	169	RK7872C-XL-CART	105	Z812G1-XL	60	Z831C4-XL	65	Z842J4-XL-DM-15F	80
PR6000-EC-WS1-DF	188	PTR6200-L-1.28	169	RK7872C-XL-DV	105	Z812G3-XL	60	Z831G1-XL	65	Z842K1-XL	63
PR6000-EG	168	PTR6200-L-1.28	180	RK7872C-XL-QR	105	Z812G4-XL	60	Z831G3-XL	65	Z842K1-XL-15F	80
PR6000-EG-WS1	168	PTR6200-L-5	169	RK74500-L-5	105	Z812H1-XL	60	Z831G4-XL	65	Z842K4-XL	63
PR6000-EU	168	PTR6200-L-5	169	RK74500-94FC	105	Z812H3-XL	60	Z831H1-XL	66	Z842L1	63
PR6000-EU	188	PTR6200-L-5	180	RK74500-94LA	105	Z812H4-XL	60	Z831H4-XL	66	Z842L2	63
PR6000-EU25	168	PTR6200-M	169	RK74500-94SO	105	Z812J1-XL	60	Z831J1-XL	66	Z842M1	63
PR6000-EU25	188	PTR6200-M	169	RK74500-94VP	105	Z812J3-XL	60	Z831J3-XL	66	Z842M2	63
PR6000-EU25-WS	168	PTR6200-M	180	TMPK7100	103	Z812J4-XL	60	Z831J4-XL	66	Z842M4	63
PR6000-EU25-WS	188	PTR6200-M-RING	180	TMPK7100-LH	103	Z812J4-XL-WM	69	Z831R1-XL	65	Z842N1	63
PR6000-EU25-WS1	168	PTR6200-M-RING	169	TMPK7100-MT	103	Z812K1-XL	60	Z831R4-XL	65	Z842N2	63
PR6000-EU25-WS1	188	PTR6200-M-RING	169	TMPK7101	103	Z812K1-XL-WM	69	Z831S1-XL	66	Z842N1-XL	64
PR6000-EU-WS	168	PTR6200-M-S	169	TMPK7101-LH	103	Z812K4-XL	60	Z831S1-XL-15M	79	Z842T2-XL	64
PR6000-EU-WS	188	PTR6200-M-S	169	TMPK7101-MT	103	Z812N1	61	Z831S3-XL	66	Z842T4-XL	64
PR6000-EU-WS1	168	PTR6200-M-S	180	TMPK7120	103	Z812N4	61	Z831S4-XL	66	Z842U1-XL	64
PR6000-EU-WS1	188	PTR6203-EU	169	TMPK7120-LH	103	Z812S1-XL	61	Z831T1-XL	67	Z842U2-XL	64
PR6000-K25	168	PTR6203-EU	180	TMPK7120-MT	103	Z812S3-XL	61	Z831T2-XL	67	Z842U4-XL	64
PR6000-KIT	168	PTR6203-EU-ULF	169	TMPK7121	103	Z812S4-XL	61	Z831T4-XL	67	Z842V1-XL	64
PR6000-KIT	188	PTR6203-EU-ULF	180	TMPK7121-LH	103	Z812T1-XL	61	Z831U1-XL	67	Z842V2-XL	64
PR6000-M	168	PTR6203-FA	169	TMPK7121-MT	103	Z812T4-XL	61	Z831U2-XL	67	Z842V4-XL	64
PR6000-M	188	PTR6203-FA	180	TMPK7200	103	Z812U1-XL	61	Z831U4-XL	67	Z842X1-XL	81
PR6000-M9A	168	PTR6203-FA-LF	169	TMPK7200-LH	103	Z812U4-XL	61	Z831V1-XL	67	Z842X1-XL-AF	81
PR6000-MB	168	PTS6200-24	168	TMPK7200-MT	103	Z812Y1-XL-TWM	81	Z831V2-XL	67	Z842X1-XL-AF-DM	81
PR6000-MB	188	PTS6200-EL	168	TMPK7201	103	Z812Y1-XL-TWM-15F	79	Z831V4-XL	67	Z842X1-XL-DM	81
PR6000-MBB	168	PTS6200-HET	168	TMPK7201-LH	103	Z821A0-XL	68	Z841A1-XL	71	Z843J1-XL	68
PR6000-MC-G3	168	PTS6200-J1	168	TMPK7201-MT	103	Z821A0-XL-WM	69	Z841B1-XL	71	Z843J4-XL	68
PR6000-MC-G3	188	PTS6200-J2	168	TMPK7220	103	Z821B0-XL	68	Z841B1-XL-DM	68	Z843L1	72
PR6000-MC-OB-G3	168	PTS6200-J3	168	TMPK7220-LH	103	Z821B0-XL-WM	69	Z841F1-XL	71	Z843L1-RC	72
PR6000-MC-OB-G3	188	PTS6200-J4	168	TMPK7220-MT	103	Z821C0-XL	68	Z841F1-XL-15F	79	Z843M1	72
PR6000-RP	168	PTS6200-J5	168	TMPK7221	103	Z821C0-XL-WM	69	Z841G1-XL	71	Z843M1	80
PR6000-SC3	168	PTS6200-LL-CP	168	TMPK7221-LH	103	Z821T0-XL	68	Z841G1-XL-15F	79	Z843M1-RC	72
PR6000-SH	168	PTS6200-M	168	TMPK7221-MT	103	Z821U0-XL	68	Z841H1-XL	71	Z843M1-RC	80
PR6000-SH	188	PTS6200-PC	168	TMPK7300-MT	104	Z824B0-XL	74	Z841H1-XL-15F	79	Z843N1	72
PR6000-SH-DF	168	PTS6200-PISTON-RK	168	TMPK7300-ST	104	Z824S0-XL	74	Z841I1-XL	71	Z843N1-RC	72
PR6000-SH-DF	188	PTS6200-SK	168	TMPK7300-STN	104	Z825A1-XL	75	Z841J1-XL	71	Z866B0-XL	61
PR6000-SL	168	RK7000-11AB	104	TMPK7301-MT	104	Z825A2-XL	75	Z841J1-XL-15F	79	Z867A0-XL	67
PR6000-SL	188	RK7000-18RC	104	TMPK7301-ST	104	Z825A4-XL	75	Z841J4-XL-DM	68	Z867B0-XL	67
PR6000-W	168	RK7000-18TOOLS	104	TMPK7301-STN	104	Z825B1-XL	75	Z841K1-XL	71	Z867C0-XL	67
PR6000-W	188	RK7000-20HB	104	TMPK7302-MT	104	Z825B1-XL-15F	79	Z841K1-XL-15F	80	Z867R0-XL	67
PS6003-C33	157	RK7000-50	104	TMPK7302-ST	104	Z825B2-XL	75	Z841L1	71	Z871B1-XL	70
PS6003-D	157	RK7000-50A	104	TMPK7302-STN	104	Z825B4-XL	75	Z841L1-RC	71	Z871B3-XL	70
PTR6200-24	169	RK7000-50ACL	104	TPK7100-SS	102	Z825C1-XL	75	Z841L2	71	Z871B4-XL	70
PTR6200-24	169	RK7000-50B	104	TPK7120-SS	102	Z825C2-XL	75	Z841L2-RC	71	Z871C1-XL	70
PTR6200-24	180	RK7000-50BN	104	TPK7200-SS	103	Z825C4-XL	75	Z841M1	71	Z871C1-XL-TWM-15F	80
PTR6200-BAT-LITH	169	RK7000-50C	104	TPK7220-SS	103	Z825F1-XL	75	Z841M1-RC	71	Z871C3-XL	70
PTR6200-BAT	169	RK7000-50EXT	104	TPK7300-SS	103	Z825F2-XL	75	Z841M2	72	Z871C4-XL	70
PTR6200-EC	169	RK7000-50FL	104	TPK7300-SSC	103	Z825T1-6M	75	Z841M2-RC	72	Z871G1-XL	70

For additional product information, please visit [www.zurn.com](http://www.zurn.com).

Z871G3-XL	70	Z5420	144	Z5765-U	141	Z6000AV-HET	9	Z6010AV-WS1	9	Z6190AV-WS1	26
Z871G4-XL	70	Z5460-BKT	146	Z5795	141	Z6000AV-HET-BWN	13	Z6010AV-WS1-BWN	13	Z6190AV-WS1-L3	26
Z871H1-XL	70	Z5460-SB	146	Z5798-STR	147	Z6000AV-HET-BWNI	13	Z6010AV-WS1-BWNI	13	Z6190-WS1-YB	27
Z871H4-XL	70	Z5461-AM	144	Z5811	143	Z6000AV-HET-DF	9	Z6010AV-WS1-BWNI-D	13	Z6195AV-EWS	26
Z871J1-XL	70	Z5468-AM	144	Z5814	143	Z6000AV-HET-H	9	Z6010AV-WS1-BWNI-D	13	Z6195AV-ULF	26
Z871J3-XL	70	Z5555-K	139	Z5818	143	Z6000AV-HET-HL3	9	Z6010AV-WS1-DF	9	Z6195AV-WS1	26
Z871J4-XL	70	Z5538-BWL-K	146	Z5821	143	Z6000AV-HET-X	34	Z6010-DVN	14	Z6195-WS1-YB	27
Z871S1-XL	70	Z5538-FL-K	146	Z5824	143	Z6000AV-HET-YG	9	Z6010-DVNI	14	Z6196AV-WS1	33
Z871S3-XL	70	Z5538-FV-K	146	Z5831	143	Z6000AV-HET-YO	9	Z6010-DVNI-D	14	Z6197AV-EWS	26
Z871S4-XL	70	Z5538-HDL	146	Z5834	143	Z6000AV-ONE	9	Z6010-DVNI-D	14	Z6197AV-ULF	26
Z873E2-EVB	73	Z5538-K	139	Z5838	143	Z6000AV-WS1	9	Z6010PL-HET	11	Z6197AV-WS1	26
Z873E2-EVB-IS	73	Z5538-RH-K	139	Z5840-BKT	147	Z6000AV-WS1-BWN	13	Z6010PL-WS1	11	Z6197-WS1-YB	27
Z873M2-SE	73	Z5538-TNK-K	146	Z5841	143	Z6000AV-WS1-BWNI	13	Z6010-WS1-BWNI-YB-YC	14	Z6199-BX12	33
Z87302-CWO	78	Z5538-TNK-LID-K	146	Z5844	143	Z6000AV-WS1-BWNI-D	13	Z6010-WS1-BWNI-YB-YC	14	Z6199-BX12-NH	33
Z87302-EVB-HK-SE-SH	78	Z5538-VL-K	139	Z5848	143	Z6000AV-WS1-BWN-D	13	Z6010-WS1-YB-YC	12	Z6199-BX15	33
Z873P2-HK-SE-SH	78	Z5545-K	139	Z5850	144	Z6000AV-WS1-DF	9	Z6011AV-HET-BWNI	13	Z6199-BX15-NH	33
Z875B2	69	Z5548-BWL-K	146	Z5850-BL2	147	Z6000AV-WS1-H	9	Z6011AV-WS1	9	Z6199-BX17	33
Z875F1	69	Z5548-K	139	Z5850-D2	147	Z6000AV-WS1-HL3	9	Z6011AV-WS1-BWN	13	Z6199-BX17-NH	33
Z875F1-15F	84	Z5548-RH-K	139	Z5850-D3	147	Z6000AV-WS1-TP	10	Z6011AV-WS1-BWND	13	Z6200-1-HET-YB-YC	12
Z875K1	69	Z5548-VL-K	139	Z5850-L2	147	Z6000AV-WS1-X	34	Z6011-DVN	14	Z6200-1-WS1-YB-YC	12
Z875K1-15F	84	Z5551-K	139	Z5850-RG	147	Z6000AV-WS1-YG	9	Z6011-DVNI-D	14	Z6200-2-HET-YB-YC	12
Z875L7	78	Z5552-K	139	Z5880	144	Z6000AV-WS1-YO	9	Z6011-WS1-BWN-YB-YC	14	Z6200-2-WS1-YB-YC	12
Z875T2	69	Z5553-K	139	Z5880-BKT	147	Z6000-DN	14	Z6014AV-WS1	9	Z6200-HET-YB-YC	12
Z875U2	69	Z5555-K	139	Z5888	144	Z6000-DVN	14	Z6014-YB-YC	12	Z6200PL-HET	12
Z877P2-LKS-HK-SH2	78	Z5558-BWL-K	146	Z5890	144	Z6000-DVNI	14	Z6017AV	15	Z6200PL-WS1	12
Z877P7-LKS-HK-SH2	78	Z5558-K	139	Z5890-BKT	147	Z6000-DVNI-D	14	Z6017AV-H	15	Z6200-WS1-YB-YC	12
Z1240-EZR	136	Z5558-RH-K	139	Z5898	144	Z6000-DVNI-D-O20	14	Z6017AV-HL3	15	Z6203-EWS-YB-YC	12
Z1240-EZR-WL	136	Z5558-VL-K	139	Z5900-IP2	144	Z6000-DVN-D	14	Z6017AV-H-O10	15	Z6203PL-EWS	12
Z1241-EZR	136	Z5560	140	Z5900-IP3	144	Z6000-DVN-O20	14	Z6017AV-H-O15	15	Z6203PL-WS1	12
Z1241-EZR-WL	136	Z5560-BWL	146	Z5955-LC	145	Z6000-ONE-YB-YC	12	Z6017AV-H-O20	15	Z6203-WS1-YB-YC	12
Z5001.01	136	Z5560-TNK-PA	146	Z5955SS-AM-STS	145	Z6000PL-1-HET	11	Z6017AV-O10	15	Z6210-HET-YB-YC	12
Z5001.01	136	Z5560-TNK-PA-LID	146	Z5955SS-EL	145	Z6000PL-1-WS1	11	Z6017AV-O15	15	Z6210-WS1-YB-YC	12
Z5001.02	136	Z5561	140	Z5955SS-EL-AMFR-STS	145	Z6000PL-2-HET	11	Z6017AV-O20	15	Z6210-WS1-YB-YC	33
Z5001.02	136	Z5562	140	Z5955SS-EL-BK	145	Z6000PL-2-WS1	11	Z6017PL	15	Z6210-WS1-YB-YC	33
Z5001.03	136	Z5570	140	Z5955SS-EL-STS	145	Z6000PL-3-HET	11	Z6017PL-H	15	Z6300AV-WS1	32
Z5001.03	136	Z5570-BWL	146	Z5955SS-EL-STS-BK	145	Z6000PL-3-WS1	11	Z6017PL-H-O10	15	Z6310AV-WS1	32
Z5002.01	136	Z5571	140	Z5956SS-AM	145	Z6000PL-HET	11	Z6017PL-H-O15	15	Z6312AV-WS1	32
Z5002.01	136	Z5572	140	Z5956SS-AM-STS	145	Z6000PL-HET-BWNI	14	Z6017PL-H-O20	15	Z6313AV-WS1	32
Z5002.02	136	Z5575	140	Z5956SS-EL	145	Z6000PL-HET-BWNI	14	Z6017-YB-YC	15	Z6320AV-WS1	32
Z5002.02	136	Z5576	140	Z5956SS-EL-ADA	145	Z6000PL-ONE	11	Z6020AV-WS1-BWN	13	Z6323AV-WS1	32
Z5002.03	136	Z5577	140	Z5956SS-EL-BK	145	Z6000PL-WS1	11	Z6020AV-WS1-BWNI-D	13	Z6601AV-WS1	31
Z5002.03	136	Z5610-NUT-EXT-KIT	147	Z5956SS-EL-STS	145	Z6000PL-WS1-BWN	14	Z6040AV-WS1-BWN	13	Z6601-WS1-YB	32
Z5003.01	136	Z5615-BWL	137	Z5957SS-EL	145	Z6000PL-WS1-BWNI	14	Z6040AV-WS1-BWNI-D	13	Z6603AV-WS1	31
Z5003.02	136	Z5615-BWL-AM	137	Z5957SS-EL-AMFR	145	Z6000PL-WS1-DF	11	Z6096AV-WS1	33	Z6603-WS1-YB	31
Z5003.03	136	Z5616-BWL	137	Z5957SS-EL-BK	145	Z6000PL-WS1-TP	11	Z6096AV-WS1-WA	33	Z6606AV-WS1	32
Z5111	143	Z5617-BWL	137	Z5957SS-EL-STS	145	Z6000PL-WS1-TP-YK	11	Z6099AV-WS1	10	Z6609AV-WS1	31
Z5114	143	Z5630	137	Z5957SS-RD	145	Z6000-WS1-BWNI-YB-YC	14	Z6100AV-HET-X	34	Z6609-WS1-YB	31
Z5118	143	Z5631	137	Z5958SS-EL	145	Z6000-WS1-BWN-HL3-YB-YC	14	Z6100AV-WS1-X	34	Z6611AV-WS1	32
Z5121	143	Z5635-BWL	137	Z5958SS-EL-STS	145	Z6000-WS1-BWN-YB-YC	14	Z6140AV-HET	26	Z6611-WS1-YB	32
Z5124	143	Z5637-BWL	137	Z5958SS-RD	145	Z6000-WS1-TP-YB-YC	12	Z6140AV-WS1	26	Z6613AV-WS1	31
Z5128	143	Z5640	137	Z5958SS-RD-STS	145	Z6000-WS1-YB-YC	12	Z6140AV-WS1	26	Z6613-WS1-YB	31
Z5220	143	Z5641	137	Z5959SS-JUV	145	Z6001AV-WS1	9	Z6140-WS1-YB	27	Z6614AV-WS1	32
Z5220-KIT	146	Z5645-BWL	137	Z5970-BOLT	147	Z6001AV-WS1-H	9	Z6142AV-HET	26	Z6621AV-WS1	31
Z5314	142	Z5646-BWL	137	Z5972-CAP	147	Z6001AV-WS1-HL3	9	Z6142AV-WS1	26	Z6681AV-WS1	31
Z5318	142	Z5647-BWL	137	Z5972-COMB	147	Z6001AV-WS1-X	34	Z6142-WS1-YB	27	Z6913-XL	46
Z5321	142	Z5654-BWL-BA-AM	138	Z5972-HDW	147	Z6001PL-WS1	11	Z6143AV-HET	26	Z6913-XL-ADM	46
Z5321-PED	142	Z5655.395.00.00.00	138	Z5973-CF-C13	147	Z6001-WS1-YB-YC	12	Z6143AV-ONE	26	Z6913-XL-ADM-1	46
Z5324	142	Z5655.396.00.00.00	138	Z5973-CF-C14	147	Z6003AV-EWS	10	Z6143AV-WS1	26	Z6913-XL-ADM-2	46
Z5324-PED	142	Z5655-BWL1	138	Z5973-CF-PVC	147	Z6003AV-EWS-X	34	Z6143AV-WS1-L3	26	Z6913-XL-CP4	46
Z5328	142	Z5655-BWL-BA-AM	138	Z5974-FLO-ABS	147	Z6003AV-ULF	10	Z6143-WS1-YB	27	Z6913-XL-CP4-MT	46
Z5340-BKT	146	Z5656-BWL-AM	138	Z5974-FLO-PVC	147	Z6003AV-ULF-X	34	Z6144AV-HET	26	Z6913-XL-CP4-MV	46
Z5341	142	Z5657-BWL-AM	138	Z5975-FLO-JR	147	Z6003AV-WS1	10	Z6144AV-WS1	26	Z6913-XL-CP4-TMV-1	46
Z5341-PED	142	Z5665.395.00.00.00	138	Z5976-URINAL	147	Z6003AV-WS1-H	10	Z6144-WS1-YB	27	Z6913-XL-CP8	46
Z5344	142	Z5665.396.00.00.00	138	Z5977-NEO	147	Z6003AV-WS1-HL3	10	Z6150AV-WS1	26	Z6913-XL-CP8-MT	46
Z5344-PED	142	Z5665-BWL1	138	Z5980-SPUD-3A	147	Z6003AV-WS1-U	10	Z6150-WS1-YB	27	Z6913-XL-CP8-MV	46
Z5348	142	Z5665-BWL-BA-AM	138	Z5980-SPUD-112	147	Z6003AV-WS1-X	34	Z6152AV-HET	26	Z6913-XL-CP8-TMV-1	46
Z5350-BKT	146	Z5666-BWL-AM	138	Z6000-1-WS1-TP-YB-YC	12	Z6003-EWS-YB-YC	12	Z6152AV-HET-L3	26	Z6913-XL-GEN	46
Z5351	142	Z5667-BWL-AM	138	Z6000-1-WS1-YB-YC	12	Z6003PL-EWS	11	Z6152AV-WS1	26	Z6913-XL-MT	46
Z5354	142	Z5675-BWL	138	Z6000-2-WS1-TP-YB-YC	12	Z6003PL-ULF	11	Z6152AV-WS1-L3	26	Z6913-XL-MV	46
Z5358	142	Z5681	138	Z6000-2-WS1-YB-YC	12	Z6003PL-WS1	11	Z6152-WS1-YB	27	Z6915-XL	46
Z5361	142	Z5683	138	Z6000-3-WS1-YB-YC	12	Z6003-WS1-YB-YC	12	Z6153AV-HET	26	Z6915-XL-GEN	46
Z5361-PED	142	Z5691	138	Z6000AV-1-HET	9	Z6010-1-WS1-YB-YC	12	Z6153AV-ONE	26	Z6915-XL-MT	46
Z5364	142	Z5693	138	Z6000AV-1-WS1	9	Z6010-2-WS1-YB-YC	12	Z6153AV-WS1	26	Z6915-XL-MV	46
Z5364-PED	142	Z5708-U	141	Z6000AV-1-WS1-TP	10	Z6010AV-1-HET	9	Z6153-WS1-YB	27	Z6915-XL-TMV-1	46
Z5368	142	Z5730	141	Z6000AV-2-HET	9	Z6010AV-1-WS1	9	Z6154AV-HET	26	Z6918-XL	46
Z5410	144	Z5738-U	141	Z6000AV-2-WS1	9	Z6010AV-2-HET	9	Z6154AV-WS1	26	Z6918-XL-ADM	46
Z5410/20-FRG	146	Z5750-BKT	146	Z6000AV-2-WS1-TP	10	Z6010AV-2-WS1	9	Z6154-WS1-YB	27	Z6920-XL	47
Z5410/20-FRG	146	Z5755-U	141	Z6000AV-3-HET	9	Z6010AV-2-WS1	9	Z6155AV-HET	26	Z6920-XL-ADM	47
Z5410-20-SRG	146	Z5758-U	141	Z6000AV-3-WS1	9	Z6010AV-HET-BWNI	13	Z6155AV-WS1	26	Z6920-XL-ADM-1	47
Z5410/20-SRG	146	Z5759-U	141	Z6000AV-3-WS1-TP	10	Z6010AV-HET-BWNI	13	Z6155-WS1-YB	27	Z6920-XL-ADM-2	47

For additional product information, please visit [www.zurn.com](http://www.zurn.com).

Z6920-XL-CP4	47	Z6953-XL-BN	43	Z7000-16-2.0	101	Z7500-FL-12	97	Z8739-PC	129	Z8803-XL-PC	114
Z6920-XL-CP4-MT	47	Z6953-XL-CV	43	Z7000-17	101	Z7500-FL-RSD	97	Z8740-PC	130	Z8804-XL-CR-8870-12-PC	115
Z6920-XL-CP4-MV	47	Z6953-XL-CV-BN	43	Z7000-18	101	Z7500-HW	97	Z8741LBN-SS	127	Z8804-XL-CR-LK-8870-12-PC	115
Z6920-XL-CP4-TMV-1	47	Z6953-XL-CV-FS	43	Z7000-19	101	Z7500-12	97	Z8741-SS	130	Z8804-XL-CR-LK-PC	115
Z6920-XL-CP8	47	Z6955-XL-S	43	Z7000-10-AQ	101	Z7500-LS	97	Z8743-1-PC	130	Z8804-XL-CR-LK-Q-8870-12-PC	115
Z6920-XL-CP8-MT	47	Z6955-XL-S-CWB	43	Z7000-LH	100	Z7500-SL	97	Z8743-PC	105	Z8804-XL-CR-LK-Q-PC	115
Z6920-XL-CP8-MV	47	Z6955-XL-S-CWB-F	43	Z7000-OD	102	Z7500-TS	98	Z8743-PC	105	Z8804-XL-CR-PC	115
Z6920-XL-CP8-TMV-1	47	Z6955-XL-S-F	43	Z7000-S1	100	Z7500-TS-HW	98	Z8743-PC	130	Z8804-XL-CR-Q-8870-12-PC	115
Z6920-XL-GEN	47	Z6955-XL-S-MT	43	Z7000-S5	100	Z7500-TS-12	98	Z8743-PC-BA	130	Z8804-XL-CR-Q-PC	115
Z6920-XL-MT	47	Z6955-XL-S-MV	43	Z7000-S5-1.5	100	Z7500-W2	98	Z8743-PC-STN	105	Z8804-XL-LK-PC	110
Z6920-XL-MV	47	Z6955-XL-S-TMV-1	43	Z7000-S5-1.25	100	Z7500-W2-HW	98	Z8746NOF-PC	131	Z8804-XL-LK-PC	115
Z6920-XL-TMV-1	47	Z6956-SD	45	Z7000-S5-1.75	100	Z7500-W2-12	98	Z8746-PC	131	Z8804-XL-LK-Q-PC	110
Z6922-XL	47	Z6956-XL	43	Z7000-S5-2.0	100	Z7500-W3	98	Z8746-PC-BA	131	Z8804-XL-LK-Q-PC	115
Z6922-XL-GEN	47	Z6956-XL-BN	43	Z7000-S5-2.5	100	Z7500-W3-HW	98	Z8747-PC	131	Z8804-XL-LR-8860-12-PC	110
Z6922-XL-SB	47	Z6956-XL-CV	43	Z7000-S5-STN	100	Z7500-W3-12	98	Z8748-PC	131	Z8804-XL-LR-LK-8860-12-PC	110
Z6922-XL-SB-SO	47	Z6956-XL-CV-BN	43	Z7000-S6	100	Z7530	98	Z8749-SS	131	Z8804-XL-LR-LK-PC	110
Z6922-XL-SO	47	Z6956-XL-CV-FS	43	Z7000-S6-1.5	100	Z7530-DV-2P-HW	98	Z8750A-PC	131	Z8804-XL-LR-LK-Q-8860-12-PC	110
Z6930-XL	47	Z6957-SD	45	Z7000-S6-1.25	100	Z7530-HW	98	Z8750-PC	131	Z8804-XL-LR-LK-Q-PC	110
Z6930-XL-ADM	47	Z6957-XL	43	Z7000-S6-1.75	100	Z7530-12	98	Z8770-RB	132	Z8804-XL-LR-PC	110
Z6930-XL-ADM-1	47	Z6957-XL-BN	43	Z7000-S6-2.0	100	Z7530-LS	98	Z8771-RB	132	Z8804-XL-LR-Q-8860-12-PC	110
Z6930-XL-ADM-2	47	Z6957-XL-F	43	Z7000-S6-STN	100	Z7530-SL	98	Z8772-RB	132	Z8804-XL-LR-Q-PC	110
Z6930-XL-CP4	47	Z6957-XL-MV	45	Z7000-S6-VP	100	Z7533	99	Z8800-XL-CR-8870-12-PC	114	Z8804-XL-PC	110
Z6930-XL-CP4-F	47	Z6957-XL-N	43	Z7000-S7	100	Z7533-DV-2P-HW	99	Z8800-XL-CR-LK-8870-12-PC	114	Z8804-XL-PC	115
Z6930-XL-CP4-MT	47	Z6957-XL-TMV-1	43	Z7000-S7-VP	100	Z7533-HW	99	Z8800-XL-CR-LK-PC	114	Z8804-XL-Q-PC	110
Z6930-XL-CP4-MV	47	Z7000-A1	100	Z7000-S8	100	Z7533-12	99	Z8800-XL-CR-LK-Q-8870-12-PC	114	Z8804-XL-Q-PC	115
Z6930-XL-CP4-TMV-1	47	Z7000-AI-STN	100	Z7000-S8-STN	100	Z7533-LS	99	Z8800-XL-CR-LK-Q-PC	114	Z8805-XL-PC	115
Z6930-XL-CP8	47	Z7000-A2	100	Z7000-S9	100	Z7533-SL	99	Z8800-XL-CR-PC	114	Z8805-XL-CR-LK-8873-12-PC	115
Z6930-XL-CP8-MT	47	Z7000-A3	100	Z7000-S9-STN	100	Z7550	99	Z8800-XL-CR-Q-8870-12-PC	114	Z8805-XL-CR-LK-PC	115
Z6930-XL-CP8-MV	47	Z7000-A4	100	Z7000-S10	100	Z7550-DV-2P-HW	99	Z8800-XL-CR-Q-PC	114	Z8805-XL-CR-PC	115
Z6930-XL-CWB	47	Z7000-AP	101	Z7000-SC	101	Z7550-HW	99	Z8800-XL-LK-PC	109	Z8805-XL-LK-PC	110
Z6930-XL-CWB-F	47	Z7000-BP	101	Z7000-SE	102	Z7550-12	99	Z8800-XL-LK-PC	114	Z8805-XL-LK-PC	115
Z6930-XL-F	47	Z7000-CC	100	Z7000-STH	100	Z7550-LS	99	Z8800-XL-LK-Q-PC	109	Z8805-XL-LR-8862-12-PC	110
Z6930-XL-GEN	47	Z7000-DS	101	Z7000-T2	102	Z7550-SL	99	Z8800-XL-LK-Q-PC	114	Z8805-XL-LR-8862-12-PC	110
Z6930-XL-MT	47	Z7000-DV-2P	101	Z7000-T4	102	Z7870C-XL	92	Z8800-XL-LR-8860-12-PC	109	Z8805-XL-LR-LK-PC	110
Z6930-XL-MV	47	Z7000-GB24	102	Z7000-VB	102	Z7872C-XL	92	Z8800-XL-LR-LK-8860-12-PC	109	Z8805-XL-LR-PC	110
Z6930-XL-TMV-1	47	Z7000-GB24H	102	Z7000-WF	100	Z8001B	82	Z8800-XL-LR-LK-PC	109	Z8805-XL-PC	110
Z6950-SD	45	Z7000-GB36	102	Z7100-SS-LH	93	Z8002A	82	Z8800-XL-LR-LK-Q-8860-12-PC	109	Z8805-XL-PC	115
Z6950-XL-IM-S	42	Z7000-GB36H	102	Z7100-SS-LH-HW	93	Z8002C	82	Z8800-XL-LR-LK-Q-PC	109	Z8806-XL-CR-8870-12-PC	116
Z6950-XL-IM-S-CP4	42	Z7000-GBH	102	Z7100-SS-MT	93	Z8003A	82	Z8800-XL-LR-PC	109	Z8806-XL-CR-LK-8870-12-PC	116
Z6950-XL-IM-S-CP4-F	42	Z7000-H1	102	Z7101-SS-LH	93	Z8106	140	Z8800-XL-LR-Q-8860-12-PC	109	Z8806-XL-CR-LK-PC	116
Z6950-XL-IM-S-CP8	42	Z7000-H2	102	Z7101-SS-LH-DV-2P-HW	93	Z8106	146	Z8800-XL-LR-Q-PC	109	Z8806-XL-CR-LK-Q-8870-12-PC	116
Z6950-XL-IM-S-CWB	42	Z7000-H4	102	Z7101-SS-MT	93	Z8700B-PC-BA	121	Z8800-XL-PC	109	Z8806-XL-CR-LK-Q-PC	116
Z6950-XL-IM-S-CWB-F	42	Z7000-H7	102	Z7120-SS-LH	94	Z8700C-PC	122	Z8800-XL-PC	114	Z8806-XL-CR-PC	116
Z6950-XL-IM-S-F	42	Z7000-H9	102	Z7120-SS-LH-HW	94	Z8700-PC	121	Z8800-XL-Q-PC	109	Z8806-XL-CR-Q-8870-12-PC	116
Z6950-XL-S	42	Z7000-H10	102	Z7120-SS-MT	94	Z8701-9B8X-PC-BA	121	Z8800-XL-Q-PC	114	Z8806-XL-CR-Q-PC	116
Z6950-XL-S-CP4	42	Z7000-H12	102	Z7121-SS-LH	94	Z8701-9BWCXB-WC-PC	122	Z8802-XL-CR-8870-12-PC	114	Z8806-XL-LK-PC	111
Z6950-XL-S-CP4-F	42	Z7000-H5	102	Z7121-SS-MT	94	Z8701-9LCBWCXB-WC-PC	122	Z8802-XL-CR-LK-8860-12-PC	114	Z8806-XL-LK-PC	116
Z6950-XL-S-CP4-MT	42	Z7000-HS2	102	Z7130	102	Z8701-9LC-PC	122	Z8802-XL-CR-LK-PC	114	Z8806-XL-LK-Q-PC	111
Z6950-XL-S-CP4-MV	42	Z7000-HS3	102	Z7130-SS	102	Z8701-9-PC	121	Z8802-XL-CR-LK-Q-8870-12-PC	114	Z8806-XL-LK-Q-PC	116
Z6950-XL-S-CP4-TMV-1	42	Z7000-HS4	102	Z7200-SS-LH	94	Z8701-15-PC	121	Z8802-XL-CR-LK-Q-PC	114	Z8806-XL-LR-8860-12-PC	111
Z6950-XL-S-CP8	42	Z7000-HS5	102	Z7200-SS-LH-HW	94	Z8701B-PC-BA	121	Z8802-XL-CR-PC	114	Z8806-XL-LR-LK-8860-12-PC	111
Z6950-XL-S-CP8-MT	42	Z7000-HS6	102	Z7200-SS-MT	94	Z8701CB-PC	122	Z8802-XL-CR-Q-8870-12-PC	114	Z8806-XL-LR-LK-PC	111
Z6950-XL-S-CP8-MV	42	Z7000-HW	101	Z7201-SS-LH	95	Z8701-PC	121	Z8802-XL-CR-Q-PC	114	Z8806-XL-LR-LK-Q-8860-12-PC	111
Z6950-XL-S-CWB	42	Z7000-HW2	101	Z7201-SS-MT	95	Z8702-9B8X-PC-BA	121	Z8802-XL-LK-PC	109	Z8806-XL-LR-LK-Q-PC	111
Z6950-XL-S-CWB-F	42	Z7000-HW3	101	Z7220-SS-LH	95	Z8702-9BWCXB-WC-PC	122	Z8802-XL-LK-PC	109	Z8806-XL-LR-PC	111
Z6950-XL-S-F	42	Z7000-HW4	101	Z7220-SS-MT	95	Z8702-9LCBWCXB-WC-PC	122	Z8802-XL-LK-Q-PC	114	Z8806-XL-LR-Q-8860-12-PC	111
Z6950-XL-S-MT	42	Z7000-HW5	101	Z7221-SS-LH	95	Z8702-9LC-PC	122	Z8802-XL-LK-Q-PC	114	Z8806-XL-LR-Q-PC	111
Z6950-XL-S-MV	42	Z7000-HW6	101	Z7221-SS-LH-DV-2P-HW	95	Z8702-9-PC	121	Z8802-XL-LR-8860-12-PC	109	Z8806-XL-PC	111
Z6950-XL-S-TMV-1	42	Z7000-HW7	101	Z7221-SS-MT	95	Z8702-15-PC	121	Z8802-XL-LR-LK-8860-12-PC	109	Z8806-XL-PC	116
Z6951-SD	45	Z7000-HW8	101	Z7300-SS-MT	96	Z8702B-PC-BA	121	Z8802-XL-LR-LK-PC	109	Z8806-XL-Q-PC	111
Z6951-XL	42	Z7000-HW9	101	Z7300-SS-MT-HW	96	Z8702LCB-PC	122	Z8802-XL-LR-LK-Q-8860-12-PC	109	Z8806-XL-Q-PC	116
Z6951-XL-BN	42	Z7000-HW10	101	Z7301-SS-MT	96	Z8702-PC	121	Z8802-XL-LR-LK-Q-PC	109	Z8807-XL-CR-8870-12-PC	116
Z6951-XL-CP4	42	Z7000-HW11	101	Z7301-SS-MT-DV-2P-HW	96	Z8703B-PC	121	Z8802-XL-LR-PC	109	Z8807-XL-CR-LK-8870-12-PC	116
Z6951-XL-CP4-F	42	Z7000-HW13	101	Z7302-SS-MT	96	Z8704B-PC	121	Z8802-XL-LR-Q-8860-12-PC	109	Z8807-XL-CR-LK-PC	116
Z6951-XL-CP4-MT	42	Z7000-HW14	101	Z7302-SS-MT-DV-2P-HW	96	Z8710-PC	123	Z8802-XL-LR-Q-PC	109	Z8807-XL-CR-PC	116
Z6951-XL-CP4-MV	42	Z7000-HW15	101	Z7440-XL	92	Z8711-6-PC	123	Z8802-XL-PC	109	Z8807-XL-LK-PC	111
Z6951-XL-CP4-TMV-1	42	Z7000-12	101	Z7441-XL	92	Z8711-8-PC	123	Z8802-XL-PC	114	Z8807-XL-LK-PC	116
Z6951-XL-CP8	42	Z7000-12-1.5	101	Z7442-XL	92	Z8711-12-PC	123	Z8802-XL-Q-PC	109	Z8807-XL-LR-8862-12-PC	111
Z6951-XL-CP8-MT	42	Z7000-12-1.25	101	Z7443-XL	92	Z8711-PC	123	Z8802-XL-Q-PC	114	Z8807-XL-LR-LK-8862-12-PC	111
Z6951-XL-CP8-MV	42	Z7000-12-1.75	101	Z7500	97	Z8712-6-PC	123	Z8803-XL-CR-8873-12-PC	114	Z8807-XL-LR-LK-PC	111
Z6951-XL-CWB	42	Z7000-12-2.0	101	Z7500-CR	97	Z8712-8-PC	123	Z8803-XL-CR-LK-8873-12-PC	114	Z8807-XL-LR-PC	111
Z6951-XL-CWB-F	42	Z7000-15	101	Z7500-CR-DV-2P-HW	97	Z8712-12-PC	123	Z8803-XL-CR-LK-PC	114	Z8807-XL-PC	116
Z6951-XL-E	42	Z7000-15-1.5	101	Z7500-CR-HW	97	Z8712-PC	123	Z8803-XL-CR-PC	114	Z8807-XL-PC	116
Z6951-XL-F	42	Z7000-15-1.25	101	Z7500-CR-12	97	Z8734-PC	129	Z8803-XL-LK-PC	109	Z8808-XL-CR-8870-12-PC	116
Z6951-XL-K-LL	42	Z7000-15-1.75	101	Z7500-CR-LS	97	Z8735-PC	129	Z8803-XL-LK-PC	114	Z8808-XL-CR-LK-8870-12-PC	116
Z6951-XL-MT	42	Z7000-15-2.0	101	Z7500-CR-SL	97	Z8737LBN-PC	128	Z8803-XL-LR-8862-12-PC	109	Z8808-XL-CR-LK-PC	116
Z6951-XL-MV	42	Z7000-16	101	Z7500-DV-2P-HW	97	Z8737LBN-PC	128	Z8803-XL-LR-LK-8862-12-PC	109	Z8808-XL-CR-LK-Q-8870-12-PC	116
Z6951-XL-TMV-1	42	Z7000-16-1.5	101	Z7500-FL	97	Z8737-PC	129	Z8803-XL-LR-LK-PC	109	Z8808-XL-CR-LK-Q-PC	116
Z6953-SD	45	Z7000-16-1.25	101	Z7500-FL-DV-2P-HW	97	Z8739LBN-PC	128	Z8803-XL-LR-PC	109	Z8808-XL-LK-PC	116
Z6953-XL	43	Z7000-16-1.75	101	Z7500-FL-HW	97	Z8739LBN-PC	128	Z8803-XL-PC	109	Z8808-XL-CR-Q-8870-12-PC	116

For additional product information, please visit [www.zurn.com](http://www.zurn.com).

Z8808-XL-CR-Q-PC	116	Z80000-XL-EVB	85	ZEMS6000-WSI-YB-YC	22	ZER6000AV-WSI-CPM-X	17	ZH6000AV-BWN-WSI	28	ZH8820-XL-LR-LK-Q-PC	112
Z8808-XL-LK-PC	111	Z80000-XL-EVB	85	ZEMS6001AV-WSI-IS	21	ZER6000AV-WSI-CP-X	17	ZH6000AV-DF-WSI	28	ZH8820-XL-LR-PC	112
Z8808-XL-LK-PC	116	Z80500-XL	68	ZEMS6001AV-WSI-IS-X	34	ZER6000OPL-HET-CP	18	ZH6000AV-HET-BWNI	13	ZH8820-XL-LR-Q-8860-12-PC	112
Z8808-XL-LK-Q-PC	111	Z80401	68	ZEMS6001PL-WSI-IS	22	ZER6000OPL-HET-CPM	18	ZH6000AV-WSI	28	ZH8820-XL-LR-Q-PC	112
Z8808-XL-LK-Q-PC	116	Z80402	68	ZEMS6001-WSI-IS-YB-YC	22	ZER6000OPL-WSI-CP	18	ZH6000AV-WSI-BWNI	13	ZH8820-XL-PC	112
Z8808-XL-LR-8860-12-PC	111	Z80501	68	ZEMS6001-WSI-YB-YC	22	ZER6000OPL-WSI-CPM	18	ZH6000AV-WSI-BWNI-D	13	ZH8820-XL-PC	117
Z8808-XL-LR-LK-8860-12-PC	111	Z80502	68	ZEMS6003AV-EWS	21	ZER6000-WSI-CP-YB-YC	18	ZH6000AV-WSI-X	34	ZH8820-XL-Q-PC	112
Z8808-XL-LR-LK-PC	111	Z80701	68	ZEMS6003AV-EWS-IS	21	ZER6000-WSI-CP-YB-YC	18	ZH6000-BWN-YB-YC	30	ZH8820-XL-Q-PC	117
Z8808-XL-LR-LK-Q-8860-12-PC	111	Z80702	68	ZEMS6003AV-EWS-IS-X	34	ZER6001AV-WSI-CP	17	ZH6000OPL-HET	29	ZH8822-XL-CR-8870-12-PC	117
Z8808-XL-LR-LK-Q-PC	111	Z80707	68	ZEMS6003AV-ULF	21	ZER6001AV-WSI-CPM	17	ZH6000OPL-WSI	29	ZH8822-XL-CR-LK-8870-12-PC	117
Z8808-XL-LR-PC	111	Z81000-XL	74	ZEMS6003AV-ULF-IS	21	ZER6001AV-WSI-CPM	17	ZH6000-WSI-YB-YC	30	ZH8822-XL-CR-LK-Q-8870-12-PC	117
Z8808-XL-LR-Q-8860-12-PC	111	Z81006-XL	83	ZEMS6003AV-ULF-IS-X	34	ZER6001AV-WSI-CPM-X	17	ZH6001AV-WSI	28	ZH8822-XL-CR-LK-Q-8870-12-PC	117
Z8808-XL-LR-Q-PC	111	Z81016-XL	83	ZEMS6003AV-WSI	21	ZER6001PL-WSI-CP	18	ZH6001PL-WSI	29	ZH8822-XL-CR-LK-Q-PC	117
Z8808-XL-PC	111	Z81017-XL	83	ZEMS6003AV-WSI-IS	21	ZER6001-WSI-CP-YB-YC	18	ZH6003AV-EWS	28	ZH8822-XL-CR-PC	117
Z8808-XL-PC	116	Z81100-XL	52	ZEMS6003AV-WSI-IS-X	34	ZER6003AV-EWS-CP	17	ZH6003AV-EWS-X	34	ZH8822-XL-CR-Q-8870-12-PC	117
Z8808-XL-Q-PC	111	Z81100-XL-P	52	ZEMS6003-EWS-IS-YB-YC	22	ZER6003AV-EWS-CPM	17	ZH6003AV-ULF	28	ZH8822-XL-CR-Q-PC	117
Z8808-XL-Q-PC	116	Z81101-XL	59	ZEMS6003-EWS-YB-YC	22	ZER6003AV-EWS-CPM-X	17	ZH6003AV-ULF-X	34	ZH8822-XL-LK-PC	112
Z8809-XL-CR-8870-12-PC	116	Z81102-XL	59	ZEMS6003PL-EWS	22	ZER6003AV-EWS-CP-X	17	ZH6003AV-WSI	28	ZH8822-XL-LK-PC	117
Z8809-XL-CR-LK-8870-12-PC	116	Z81103-XL	59	ZEMS6003PL-EWS-IS	22	ZER6003AV-ULF-CP	17	ZH6003AV-WSI-X	34	ZH8822-XL-LK-Q-PC	112
Z8809-XL-CR-LK-PC	116	Z81104-XL	59	ZEMS6003PL-ULF	22	ZER6003AV-ULF-CPM	17	ZH6003PL-EWS	29	ZH8822-XL-LK-Q-PC	117
Z8809-XL-CR-PC	116	Z81200-XL	52	ZEMS6003PL-ULF-IS	22	ZER6003AV-ULF-CPM-X	17	ZH6003PL-ULF	29	ZH8822-XL-LK-Q-8860-12-PC	112
Z8809-XL-LK-PC	111	Z81200-XL-P	52	ZEMS6003PL-WSI	22	ZER6003AV-ULF-CP-X	17	ZH6003PL-WSI	29	ZH8822-XL-LR-LK-8860-12-PC	112
Z8809-XL-LK-PC	116	Z81202-XL-DV	78	ZEMS6003PL-WSI-IS	22	ZER6003AV-WSI-CP	17	ZH6003-WSI-YB-YC	30	ZH8822-XL-LR-LK-8860-12-PC	112
Z8809-XL-LR-8862-12-PC	111	Z81301-XL	69	ZEMS6003-WSI-IS-YB-YC	22	ZER6003AV-WSI-CPM	17	ZH6010AV-WSI	28	ZH8822-XL-LR-LK-PC	112
Z8809-XL-LR-LK-8862-12-PC	111	Z81302-XL	69	ZEMS6003-WSI-YB-YC	22	ZER6003AV-WSI-CPM-X	17	ZH6011AV-BWN-WSI	28	ZH8822-XL-LR-LK-Q-8860-12-PC	112
Z8809-XL-LR-LK-PC	111	Z81307-XL	69	ZEMS6100AV-HET-X	34	ZER6003AV-WSI-CP-X	17	ZH6011AV-WSI-BWN	13	ZH8822-XL-LR-LK-Q-PC	112
Z8809-XL-LR-PC	111	Z82200-XL-CP4	74	ZEMS6100AV-WSI-X	34	ZER6003-EWS-CPM-YB-YC	18	ZH6011-BWN-YB-YC	30	ZH8822-XL-LR-PC	112
Z8809-XL-PC	111	Z82300-XL-CP8	74	ZEMS6140AV-HET	24	ZER6003-EWS-CP-YB-YC	18	ZH6017AV-WSI	28	ZH8822-XL-LR-Q-8860-12-PC	112
Z8809-XL-PC	116	Z82500-XL	52	ZEMS6140AV-WSI	24	ZER6003PL-EWS-CPM	18	ZH6100AV-WSI-X	34	ZH8822-XL-LR-Q-PC	112
Z8860-XL-12-SS	119	Z82600-XL	52	ZEMS6152AV-HET	24	ZER6003PL-EWS-CPM	18	ZH6140AV-HET	29	ZH8822-XL-PC	112
Z8860-XL-36-SS	119	Z82701-XL	74	ZEMS6152AV-ONE	24	ZER6003PL-ULF-CP	18	ZH6140AV-WSI	29	ZH8822-XL-PC	117
Z8861-XL-30-SS	119	Z82702-XL	74	ZEMS6152AV-WSI	24	ZER6003PL-ULF-CPM	18	ZH6140-WSI-YB	30	ZH8822-XL-Q-PC	112
Z8862-XL-16-SS	119	Z82704-XL	74	ZEMS6153AV-HET	24	ZER6003PL-WSI-CP	18	ZH6142AV-HET	29	ZH8822-XL-Q-PC	117
Z8862-XL-20-SS	119	Z82800	76	ZEMS6153AV-WSI	24	ZER6003PL-WSI-CPM	18	ZH6142AV-WSI	29	ZH8822-XL-Q-PC	117
Z8862-XL-30-SS	119	Z82800-VB	76	ZEMS6190AV-WSI	24	ZER6003-WSI-CPM-YB-YC	18	ZH6142-WSI-YB	30	ZH8823-XL-CR-8873-12-PC	117
Z8862-XL-36-SS	119	Z82900	77	ZEMS6195AV-EWS	24	ZER6003-WSI-CP-YB-YC	18	ZH6150AV-HET	29	ZH8823-XL-CR-LK-8873-12-PC	117
Z8870-XL-9-SS	119	Z82900-WM	77	ZEMS6195AV-ULF	24	ZER6140AV-HET	25	ZH6150AV-WSI	29	ZH8823-XL-CR-LK-PC	117
Z8870-XL-12-SS	119	Z83100-XL	52	ZEMS6195AV-WSI	24	ZER6152AV-HET	25	ZH6150PL-WSI	29	ZH8823-XL-CR-PC	117
Z8870-XL-20-SS	119	Z83100-XL-ICT	52	ZEMS6197AV-EWS	24	ZER6152AV-ONE	25	ZH6150-WSI-YB	30	ZH8823-XL-LK-PC	112
Z8873-XL-9-SS	119	Z83500-XL	85	ZEMS6197AV-ULF	24	ZER6152AV-WSI	25	ZH6152AV-HET	29	ZH8823-XL-LK-PC	117
Z8873-XL-12-SS	119	Z83500-XL-WM	85	ZEMS6197AV-WSI	24	ZER6153AV-WSI	25	ZH6152AV-WSI	29	ZH8823-XL-LR-8862-12-PC	112
Z8873-XL-20-SS	119	Z83600-XL	78	ZEMS6199-BX12-C	33	ZER6190AV-WSI	25	ZH6152-WSI-YB	30	ZH8823-XL-LR-LK-8862-12-PC	112
Z8904-PC	120	Z84100-XL	52	ZEMS6199-BX12-U	33	ZER6195AV-EWS	25	ZH6190AV-WSI	29	ZH8823-XL-LR-LK-PC	112
Z8905-PC	120	Z84200-XL	52	ZEMS6199-BX15-C	33	ZER6195AV-ULF	25	ZH6190-WSI-YB	30	ZH8823-XL-LR-LK-PC	117
Z8906-PC	120	Z84500	52	ZEMS6199-BX15-U	33	ZER6195AV-WSI	25	ZH6195AV-EWS	29	ZH8823-XL-PC	112
Z8907-PC	120	Z85100-XL	83	ZEMS6199-BX17-C	33	ZER6197AV-EWS	25	ZH6195AV-ULF	29	ZH8823-XL-PC	117
Z8908-PC	120	Z85100-XL-WM	83	ZEMS6199-BX17-U	33	ZER6197AV-ULF	25	ZH6195AV-WSI	29	ZH8824-XL-CR-8870-12-PC	118
Z8909-PC	120	Z85500-XL	83	ZEMS6200-HET-IS-YB-YC	23	ZER6197AV-WSI	25	ZH6195-WSI-YB	30	ZH8824-XL-LR-LK-8870-12-PC	118
Z8910-PC	120	Z85500-XL-WM	83	ZEMS6200-HET-YB-YC	23	ZER6199-BX17	33	ZH6197AV-EWS	29	ZH8824-XL-CR-LK-PC	118
Z8911-PC	120	Z85500-XL-WM-EVB-HK-SE-SH	78	ZEMS6200-WSI-IS-YB-YC	23	ZER6200-HET-CPM-YB-YC	19	ZH6197AV-ULF	29	ZH8824-XL-CR-LK-Q-8870-12-PC	118
Z8912-PC	120	Z85700-XL	83	ZEMS6200-WSI-YB-YC	23	ZER6200-HET-CP-YB-YC	19	ZH6197AV-WSI	29	ZH8824-XL-CR-LK-Q-PC	118
Z8916-XL-6-PC	120	Z86100-XL	74	ZEMS6203-EWS-IS-YB-YC	23	ZER6200-WSI-CPM-YB-YC	19	ZH6197-WSI-YB	30	ZH8824-XL-CR-PC	118
Z8916-XL-115-PC	120	Z86300-XL	74	ZEMS6203-EWS-YB-YC	23	ZER6200-WSI-CP-YB-YC	19	ZH6603AV-WSI-MBP	31	ZH8824-XL-CR-Q-8870-12-PC	118
Z8917-XL-4-PC	120	Z86300-XL-CP4	74	ZEMS6203-WSI-IS-YB-YC	23	ZER6203-EWS-CPM-YB-YC	19	ZH6603-WSI-MBP-YB	32	ZH8824-XL-CR-Q-PC	118
Z8917-XL-6-PC	120	Z86500-XL	61	ZEMS6203-WSI-YB-YC	23	ZER6203-EWS-CP-YB-YC	19	ZH6606AV-WSI-MBP	31	ZH8824-XL-LK-PC	113
Z8943-NT	133	Z87100-XL	52	ZER6000AV-1-HET-CP	17	ZER6203-WSI-CP-YB-YC	19	ZH6609AV-WSI-MBP	31	ZH8824-XL-LK-PC	118
Z8944-NT	133	Z87100-XL-HS	52	ZER6000AV-1-HET-CPM	16	ZER6203-WSI-CP-YB-YC	19	ZH6609-WSI-MBP-YB	32	ZH8824-XL-LK-PC	113
Z8945-NT	133	Z87300-CWO	78	ZER6000AV-1-WSI-CP	17	ZER6203-WSI-CP-YB-YC	19	ZH6611AV-WSI-MBP	31	ZH8824-XL-LK-Q-PC	118
Z8946-1-NT	133	Z87302	78	ZER6000AV-1-WSI-CPM	16	ZER6203-WSI-CP-YB-YC	19	ZH6611-WSI-MBP-YB	32	ZH8824-XL-LK-Q-PC	118
Z8946-3-NT	133	Z87302-CS-IS	85	ZER6000AV-2-HET-CPM W/HMK	16	ZERK-CCP	19	ZH6613AV-WSI-MBP	31	ZH8824-XL-LR-8860-12-PC	113
Z8946-NT	133	Z87302-CWO	85	ZER6000AV-2-HET-CP W/HMK	17	ZERK-CP	19	ZH6613-WSI-MBP	32	ZH8824-XL-LR-LK-8860-12-PC	113
Z8995-1-PC	133	Z88000	82	ZER6000AV-2-WSI-CPM W/HMK	16	ZERK-CP-CONC	25	ZH6615AV-WSI-MBP	31	ZH8824-XL-LR-LK-PC	113
Z8995-3-PC	133	Z88100	82	ZER6000AV-2-WSI-CPM W/HMK	17	ZERK-CPM	19	ZH6615AV-WSI-MBP	31	ZH8824-XL-LR-LK-Q-8860-12-PC	113
Z8996-1-PC	133	Z88200	82	ZER6000AV-3-WSI-CPM W/HMK	17	ZERK-CPM-LY	19	ZH8820-XL-CR-8870-12-PC	117	ZH8824-XL-LR-LK-Q-PC	113
Z8996-3-PC	133	Z88300	82	ZER6000AV-3-WSI-CPM W/HMK	17	ZERK-HMK	19	ZH8820-XL-CR-LK-8870-12-PC	117	ZH8824-XL-LR-PC	113
Z74500-XL	92	Z88400	82	ZER6000AV-3-HET-CP W/HMK	17	ZERK-ORK-0.5-CP	163	ZH8820-XL-CR-LK-PC	117	ZH8824-XL-LR-Q-8860-12-PC	113
Z80000-HI24	84	ZEMS6000AV-HET	21	ZER6000AV-3-HET-CP W/HMK	17	ZERK-ORK-0.125-CP	163	ZH8820-XL-CR-LK-Q-8870-12-PC	117	ZH8824-XL-LR-Q-PC	113
Z80000-HI36	84	ZEMS6000AV-HET-IS	21	ZER6000AV-3-WSI-CPM W/HMK	16	ZERK-ORK-0.125-CPM	163	ZH8820-XL-CR-Q-8870-12-PC	117	ZH8824-XL-LR-Q-PC	113
Z80000-HI72	84	ZEMS6000AV-HET-IS-X	34	ZER6000AV-3-WSI-CPM W/HMK	17	ZERK-ORK-1.0-CP	163	ZH8820-XL-CR-Q-8870-12-PC	117	ZH8824-XL-LK-PC	113
Z80000-HK-SE-SH	84	ZEMS6000AV-HET-X	34	ZER6000AV-3-WSI-CPM W/HMK	17	ZERK-ORK-1.0-CPM	163	ZH8820-XL-CR-Q-8870-12-PC	117	ZH8824-XL-LK-PC	118
Z80000-RS	83	ZEMS6000AV-ONE-IS	21	ZER6000AV-3-WSI-CPM W/HMK	17	ZERK-ORK-1.5-CP	163	ZH8820-XL-CR-Q-PC	117	ZH8824-XL-Q-PC	113
Z80000-SH	82	ZEMS6000AV-WSI	21	ZER6000AV-3-WSI-CPM W/HMK	17	ZERK-ORK-1.5-CPM	163	ZH8820-XL-LK-PC	117	ZH8824-XL-Q-PC	118
Z80000-SH1	82	ZEMS6000AV-WSI-IS	21	ZER6000AV-3-WSI-CPM W/HMK	17	ZERK-ORK-1.6-CP	163	ZH8820-XL-LK-Q-PC	117	ZH8824-XL-Q-PC	113
Z80000-SH2	82	ZEMS6000AV-WSI-IS-X	34	ZER6000AV-3-WSI-CPM W/HMK	17	ZERK-ORK-1.6-CPM	163	ZH8820-XL-LK-Q-PC	117	ZH8824-XL-Q-PC	118
Z80000-SH3	82	ZEMS6000AV-WSI-X	34	ZER6000AV-3-WSI-CPM W/HMK	17	ZERK-ORK-1.28-CP	163	ZH8820-XL-LR-LK-Q-PC	117	ZH8824-XL-Q-PC	113
Z80000-SH4	82	ZEMS6000OPL-HET	22	ZER6000AV-3-WSI-CPM W/HMK	16	ZERK-ORK-1.28-CPM	163	ZH8820-XL-LR-LK-8860-12-PC	112	ZH8824-XL-Q-PC	118
Z80000-VH36	82	ZEMS6000OPL-HET-IS	22	ZER6000AV-3-WSI-CPM W/HMK	17	ZGS-040Z	170	ZH8820-XL-LR-8860-12-PC	112	ZH8825-XL-CR-8873-12-PC	118
Z80000-VH48	82	ZEMS6000OPL-WSI	22	ZER6000AV-3-WSI-CPM W/HMK	17	ZGS-320Z	170	ZH8820-XL-LR-LK-8860-12-PC	112	ZH8825-XL-CR-PC	118
Z80000-VH72	82	ZEMS6000OPL-WSI-IS	22	ZER6000AV-3-WSI-CPM W/HMK	17	ZGS-1280Z	170	ZH8820-XL-LR-LK-PC	112	ZH8825-XL-LK-PC	118
Z80000-WHK1	82	ZEMS6000-WSI-IS-YB-YC	22	ZER6000AV-3-WSI-CPM W/HMK	17	ZH6000AV-BWNI-WSI	28	ZH8820-XL-LR-LK-Q-8860-12-PC	112	ZH8825-XL-LR-8862-12-PC	113

ZH8825-XL-LR-LK-PC	113	ZH8827-XL-LK-PC	113	ZR365REB-PC	125	ZR465-SC	132	ZRK-C-1.6-DF	20	ZTR6200-ONE-LL	16
ZH8825-XL-LR-PC	113	ZH8827-XL-LK-PC	118	ZR365X-PC	124	ZR505LAW-PC	125	ZRK-U-1.0	20	ZTR6200-WST	16
ZH8825-XL-PC	113	ZH8827-XL-LR-8860-12-PC	113	ZR366-PC	124	ZR510LAW-PC	125	ZSS30-SS	126	ZTR6200-WST-HW	21
ZH8825-XL-PC	118	ZH8827-XL-LR-LK-8860-12-PC	113	ZR367-PC*	124	ZR543JBD-PC	125	ZSS250-PC	85	ZTR6200-WST-LL	16
ZH8826-XL-CR-8870-12-PC	118	ZH8827-XL-LR-LK-PC	113	ZR367X-PC	124	ZR546JBD-PC	125	ZSS250-PC	126	ZTR6203-EWS	16
ZH8826-XL-CR-LK-8870-12-PC	118	ZH8827-XL-LR-PC	113	ZR368-PC	124	ZR964-PC	125	ZSS250W-PC	126	ZTR6203-EWS-HW	21
ZH8826-XL-CR-LK-PC	118	ZH8827-XL-PC	113	ZR369-PC	124	ZR965-PC	125	ZSS300-PC	127	ZTR6203-EWS-LL	16
ZH8826-XL-CR-PC	118	ZH8827-XL-PC	118	ZR370JBD-RB	124	ZR970J-PC	125	ZSS300W-PC	127	ZTR6203-QRT	16
ZH8826-XL-LK-PC	113	ZP100-SS	126	ZR370-PC	124	ZR971J-PC	125	ZSS3000B-SS	85	ZTR6203-QRT-HW	21
ZH8826-XL-LK-PC	118	ZP100W-SS	126	ZR371-PC	124	ZR6000AV-2-WST-DF	20	ZSS3000B-SS	126	ZTR6203-QRT-LL	16
ZH8826-XL-LR-8860-12-PC	113	ZP2000B-SS	127	ZR371-PC	124	ZR6000AV-WST	20	ZSS3000W-SS	126	ZTR6203-ULF	16
ZH8826-XL-LR-LK-8860-12-PC	113	ZP2000WB-SS	127	ZR371X-PC	124	ZR6000AV-WST-BWN	20	ZSS3500-SS	127	ZTR6203-ULF-HW	21
ZH8826-XL-LR-LK-PC	113	ZR360-PC	124	ZR373-PC	125	ZR6000AV-WST-DF	20	ZSS3500W-SS	127	ZTR6203-ULF-LL	16
ZH8826-XL-LR-PC	113	ZR361-PC	125	ZR377-PC	125	ZR6000AV-WST-DF-HW	20	ZTR6200-I-WST	16	ZTR6203-WST	16
ZH8826-XL-PC	113	ZR361-PC	124	ZR383-PC	125	ZR6000AV-WST-X	20	ZTR6200EV	16	ZTR6203-WST-HW	21
ZH8826-XL-PC	118	ZR361X-PC	124	ZR426B-SS	85	ZR6001AV-WST	20	ZTR6200EV-1	16	ZTR6203-WST-LL	16
ZH8827-XL-CR-8870-12-PC	118	ZR363-PC	124	ZR426B-SS	128	ZR6001AV-WST-X	20	ZTR6200EV-HW	21	ZTT46-SS	126
ZH8827-XL-CR-LK-8870-12-PC	118	ZR364-PC	124	ZR426WB-SS	128	ZR6003AV-WST	20	ZTR6200EV-LL	16	ZTT461-PC	85
ZH8827-XL-CR-LK-PC	118	ZR365L-PC	125	ZR461-PC	129	ZR6003AV-WST-X	20	ZTR6200-ONE	16	ZTT461-PC	126
ZH8827-XL-CR-PC	118	ZR365-PC	124	ZR464-PC	129	ZRK-C-1.6	20	ZTR6200-ONE-HW	21	ZTT461W-PC	126









# ZURN TERMS AND CONDITIONS

## PRICE AND TERMS OF PAYMENT

Terms are net, payable 30 days from date of invoice. All pricing in CAD dollars. The Buyer shall pay all sales, consumers, or other applicable taxes. A 1-1/2% monthly (18% annual) service charge will be added to the outstanding balance of all past due invoices.

Minimum invoice \$100.00. Zurn Industries, LLC ("Zurn") reserves the right to apply a minimum order charge in order to meet the \$100.00 minimum invoice requirement. All orders are subject to credit approval by the Zurn Credit Department prior to the acceptance of an order. Orders may be refused, delivery may be withheld, or shipment stopped in transit without any liability on Zurn's part at Zurn's sole discretion based upon Buyer's credit worthiness as determined by Zurn.

## FREIGHT

Zurn Canada is pleased to provide an industry-leading \$3,500 combined prepaid freight amount, not including Zurn Green Turtle product sales.

All sales are F.O.B. seller's location. Routing of shipment shall be determined at the sole discretion of Zurn. Shipping dates are estimates and time of delivery shall not be of the essence of this sale contract. Under no circumstances will the Seller have any responsibility on account of any delays in manufacture, transportation, or otherwise.

**NOTE:** Any product dimension larger than 92. or any single item weighing more than 3,500 lb, shall be defined as an oversized and/or overweight product and Zurn's standard FFA terms may not apply. Please contact our customer service department for guidance on potential additional shipping charges.

These charges and restrictions apply in addition to Zurn standard terms and conditions for sale unless otherwise agreed upon by the parties.

## LIMITED WARRANTY

Zurn goods sold hereunder are warranted to be free from defects in material and factory workmanship for the period of time from the date of purchase: AquaVantage® Flush Valves, AquaFlush® Flush Valves, Commercial Fixtures, Faucets, Showers, and Tubular Brass: three years; Chemical Drainage, Trench Drainage, Commercial Drainage, Specification Drainage, Zurn Wilkins, and Flush Valve and Tubular Brass decorative finishes: one year, PHIX® Cartridge ten years. Where permitted by law, **THE IMPLIED WARRANTY OF MERCHANTABILITY IS LIMITED TO THE ABOVE IDENTIFIED PERIOD OF TIME AND SHALL BE LIMITED SOLELY TO THE REPLACEMENT OF THE DEFECTIVE GOODS.** A damaged/broken test cock or ball valve is not considered defective. Please contact Zurn Customer Care for assistance.

Zurn will replace goods at no cost that prove defective provided Zurn is notified in writing of such defect and the goods are returned prepaid at the specified Zurn location with evidence that they have been properly maintained and used in accordance with instructions. **ZURN SHALL NOT BE RESPONSIBLE FOR ANY LABOR CHARGES OR ANY LOSS, INJURY, OR DAMAGES WHATSOEVER, INCLUDING, BUT NOT LIMITED TO, INCIDENTAL OR CONSEQUENTIAL DAMAGES.** The sole and exclusive remedy shall be limited to the replacement of the defective goods. Before installation and use, the purchaser shall determine the suitability of the product for his intended use and the purchaser assumes all risk and liability whatever in the connection therewith. All weights stated in Zurn catalogs and lists are approximate and are not guaranteed.

## RETURNED GOODS

Standard cataloged material may be returned only with written permission of Zurn. Returned goods are subject to a 25% restocking charge of total saleable material returned, plus cost of reconditioning, if necessary, to make material sellable. Transportation charges are the responsibility of the Buyer. The value of the return must total at least \$100.00 to qualify for credit allowance. No credit will be allowed for parts unless originally ordered and invoiced as parts. No credit will be allowed for discontinued or made-to-order items. Items that have been specially made are not subject to return or cancellation except by special negotiation. Material must be returned within one year of invoice date for credit to be issued for Chemical Drainage, Trench Drainage, and Commercial Drainage. Material must be returned within two years of invoice date for credit to be issued for Commercial Fixtures, Flush Valve Products, Specification Drainage, Tubular Brass, and Zurn Wilkins. No credit is allowed for Trench Drainage products that have been cut and Specification Drainage product with auxiliary tapings. Flush Valve material over two years old will be subject to a 50% handling charge. Flush Valve material over five years old will not be accepted. Commercial Drainage and Specification Drainage galvanized material will be credited at value of Dura-Coated cast iron, and chrome plated at value of bronze. Zurn Wilkins damaged/broken test cocks or ball valves are not considered defective.

## ILLUSTRATIONS OF TYPICAL INSTALLATIONS

The typical installations for various products found in each product section are intended to illustrate the products and potential options for the use of these products. Under no circumstances are they to be construed as recommended installation procedures. Consult local codes and project specifications for proper installation instructions.

## SHORTAGE/DAMAGE CLAIMS

Notification of material shortages or incorrect filling of orders must be made to Zurn within 10 days of receipt. No claims over three months old will be honored. Buyer agrees to make all complaints for damage in transit or "short count" directly to the carrier; before the contents are unloaded have the carrier agent's acknowledgment of such damage noted on the bill of lading and to present to the carrier its agent's acknowledgment of such damaged material with formal claim covering said damage.

## GENERAL

Zurn reserves the right to make changes in design or equipment of any item or product without incurring any obligation on previously sold items, and to discontinue items at any time, without notice. Possession of this Catalog or other sales literature is not to be construed as an offer to sell. All orders are subject to acceptance by Zurn. Catalog printed in U.S.A.

Zurn flush valves are designed to comply with Army Corp of Engineers and Naval guide specifications, Military Specification MIL.V.29193 and Federal Specification WWP541.

Zurn flush valves comply with the following standards: ASME A112.18.1/CSA B125.1, A112.19.5, A112.19.2, A112.19.6, ASSE 1037 and 101 are listed by the following agencies: Canadian Standards, IAPMO/UPC/CUPC, and CSA 125.3. Zurn flush valves are manufactured from dezincification resistant alloys. For additional compliances, contact Zurn Industries, LLC, Commercial Brass Operation, or 1-800-997-3876.

Zurn is not responsible for typographical errors. The contents of this guide are subject to revision without notice.

© 2018 Zurn Industries, LLC Items in this Guide are covered by Patents and Patents Pending. Registered Trademarks.

**Zurn Industries, LLC**

511 West Freshwater Way  
Milwaukee, WI 53204

**Zurn Industries, LLC** Finish Plumbing Operation

5900 Elwin Buchanan Drive  
Sanford, NC 27330

In Canada

**Zurn Industries Limited**

7900 Goreway Drive, Unit 10  
Brampton, ON L6T 5W6, 877.892.5216

[ZURN.COM](http://ZURN.COM) [US 1.855.0NE.ZURN](tel:18550NEZURN) [CANADA 1.877.892.5216](tel:18778925216)

