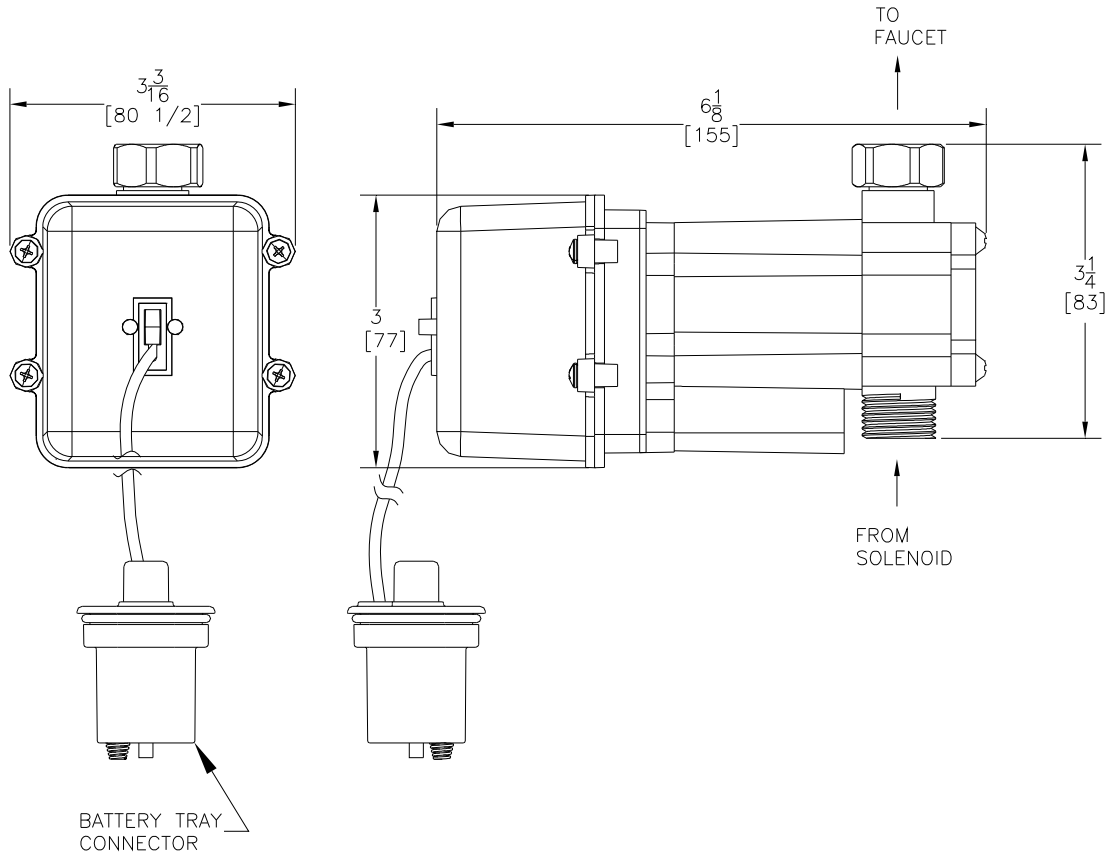




# P6900-GEN

## Hydroelectric Power Generator for Z6900 Series Sensor Faucets



### ENGINEERING SPECIFICATION: ZURN P6900-GEN

**AquaSense® Hydroelectric Power Generator-** The P6900-GEN is a hydroelectric power generator that creates electrical energy and stores it in a rechargeable cell. The hydro generator provides a self-sustaining system for approximately 10 years. The P6900-GEN connects between faucet shank and solenoid box and generates power as water spins the turbine of the generator while faucet is in use.

The P6900-GEN can be used to retrofit existing Zurn AquaSense® model faucets. The P6900-GEN connects in between the faucet shank and solenoid box and replaces existing batteries and battery drawer.

This space is for Architectural/engineering Approval

The information contained in this document is subject to change without notice. Please contact Zurn for most up to date information.