



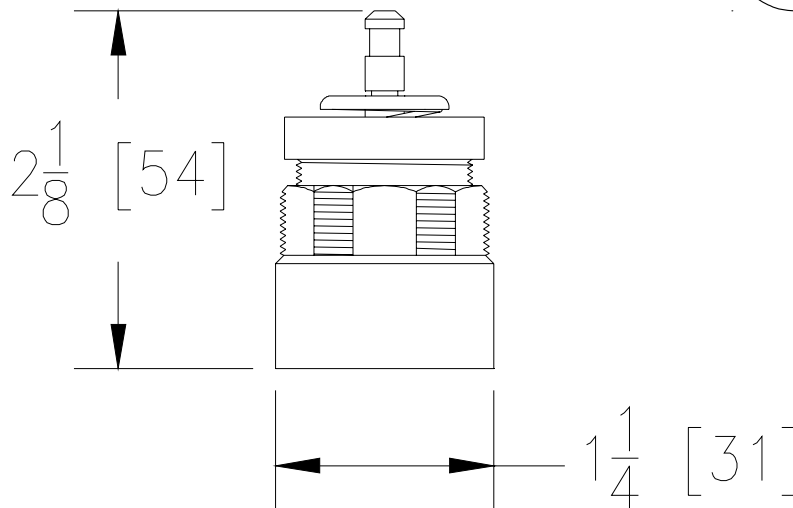
HANDLE NUT ASSEMBLY, SLOW CLOSING METERING

G60561

TAG _____

Engineering Specification: Zurn AquaSpec® G60561

Replacement handle nut assembly for slow closing metering faucet, providing adjustable cycle time of 10 to 15 seconds (0.25 gallons per cycle max.) per ASME A112.18.1/CSA B125.1 and ANSI A117.1.



Note: All dimensions are for reference only. Do not use for pre-plumbing

OPTIONAL ACCESSORIES

Suffix	Description
NA	

ZURN INDUSTRIES, LLC ♦ COMMERCIAL BRASS OPERATION ♦ 2640 SOUTH WORK STREET ♦ FALCONER NY 14733

Phone: 1-716-665-1132 ♦ Fax: 1-716-665-1135 ♦ World Wide Web: www.zurn.com

In Canada: ZURN INDUSTRIES LIMITED ♦ 3544 Nashua Drive ♦ Mississauga, Ontario L4V1L2 ♦ Phone: 905/405-8272 Fax: 905/405-1292