



AquaSense®

Battery Powered Sensor Faucets

Installation, Operation, Maintenance and Parts Manual



Z6936

Sensor-Operated Battery Powered Lavatory Faucets

- ⚠ **WARNING:** Cancer and Reproductive Harm - www.P65Warnings.ca.gov
- ⚠ **ADVERTENCIA:** Cáncer y daño reproductivo - www.P65Warnings.ca.gov
- ⚠ **AVERTISSEMENT:** Cancer et effets néfastes sur la reproduction - www.P65Warnings.ca.gov

LIMITED WARRANTY

All goods sold hereunder are warranted to be free from defects in material and factory workmanship for a period of three years from the date of purchase. Decorative finishes warranted for one year. We will replace at no costs goods that prove defective provided we are notified in writing of such defect and the goods are returned to us prepaid at Sanford, NC, with evidence that they have been properly maintained and used in accordance with instructions. We shall not be responsible for any labor charges or any loss, injury or damages whatsoever, including incidental or consequential damages. The sole and exclusive remedy shall be limited to the replacement of the defective goods. Before installation and use, the purchaser shall determine the suitability of the product for his intended use and the purchaser assumes all risk and liability whatever in connection therewith. Where permitted by law, the implied warranty of merchantability is expressly excluded. If the products sold hereunder are "consumer products," the implied warranty of merchantability is limited to a period of three years and shall be limited solely to the replacement of the defective goods. All weights stated in our catalogs and lists are approximate and are not guaranteed.

NOTICE: READ ENTIRE MANUAL PRIOR TO INSTALLING PRODUCT.

Rev. D | Date: 01/03/23 | C.N. No. 144945 | Prod./Dwg. No. FV764

Patent zurn.com/patents

US 1.855.0NE.ZURN CANADA 1.877.892.5216

ZURN.COM

by **ZURN ELKAY** Water Solutions

This Page Intentionally Left Blank

Overview:

Designed for modern commercial restrooms, the AquaSense Z6936 sensor faucet delivers a superior user experience in both form and function. This faucet maintains a sleek and simple design that is easy to install and a user-friendly handwashing solution.

This faucet has been designed and manufactured to comply with Section 1417 of the Safe Drinking Water Act (SDWA), which mandates a weighted average lead content of no more than 0.25% of the wetted surface.

Specifications:

Voltage:	6 VDC Series [4 "AA" (Alkaline)]
Sensor Range:	8"-10" (21-27cm)
Operating Water Pressure:	7.25-101 psi (0.05-0.7MPa)
Operational Water Temperature:	33°F to 131°F (1°C to 55°C)
Aerator:	Spray, 0.5 GPM (Standard)
Diameter of Inlet:	G1/2"

Important Safety Information:

- Installer is responsible for ensuring the product is installed and conforms to all plumbing codes and ordinances.
- Do not convert or modify this Zurn product yourself. All warranties will be voided.
- Water supply lines must be sized according to building designer in order to provide adequate water supply for each fixture.
- Flush all water lines prior to making connections.

Prior to Installation:

Before installing your Zurn® AquaSense® Faucet: the items listed below should already be installed on site.

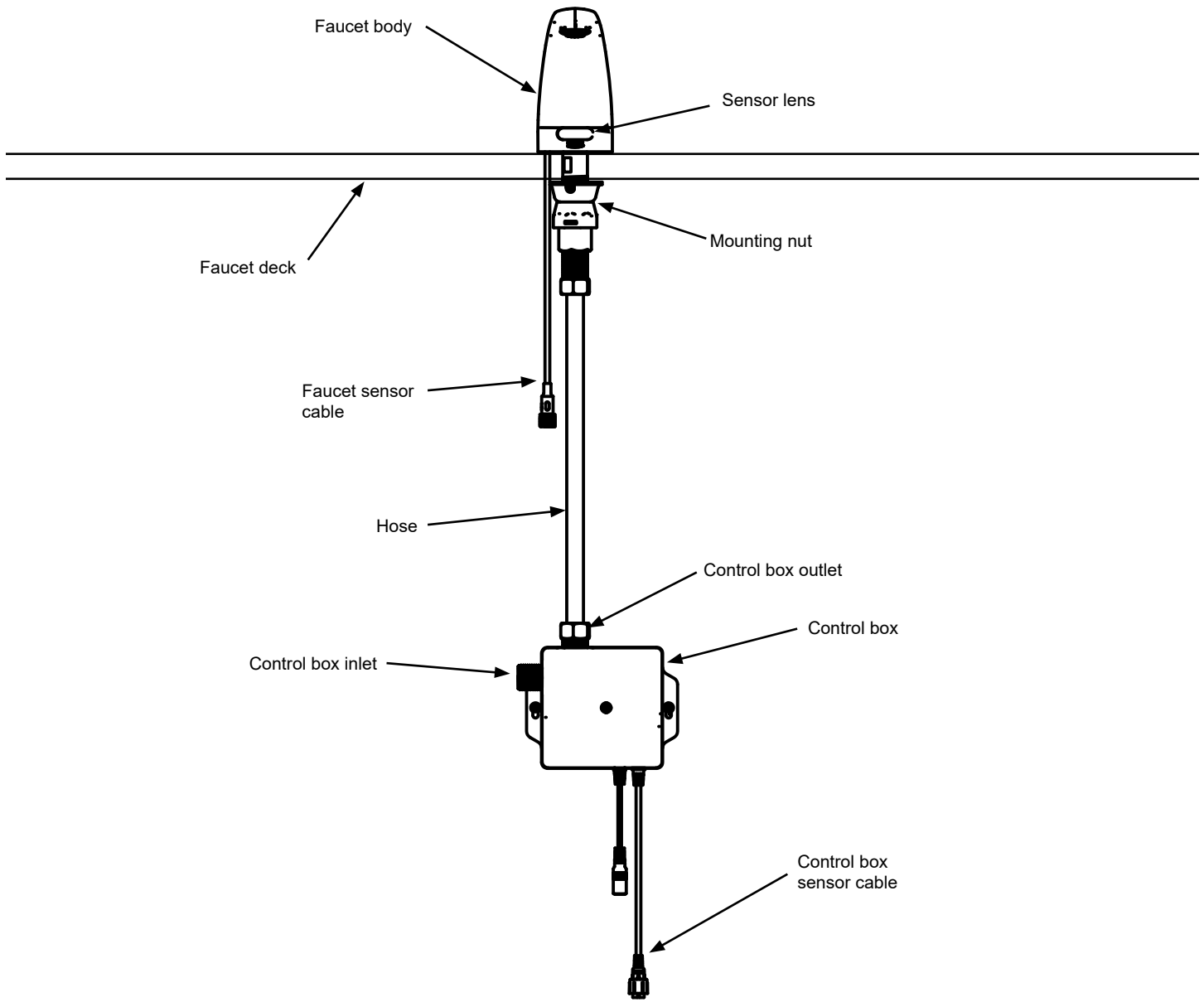
- Lavatory/sink
- Drain Line
- Hot and cold water supply line or pre-tempered water supply line.
- Installer/Service should not use pipe dope or teflon/thread sealant anywhere on this product, most notably threads and connection points.
- Care shall be taken when installing this product to prevent marring of any exposed or decorative surfaces.

⚠ *Be sure the water supply is turned on and the sink/lavatory/basin is clear from any objects upon making the sensor to electronics connection initiating the self-calibration feature. The sink must be clear of any and all objects and water supply is turned on in order to calibrate appropriately (calibration time approx 30-60sec) (the system will perform both a wet & dry calibration).*

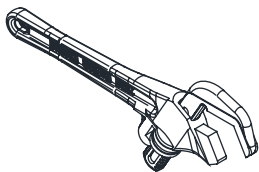
NOTE: The information in this manual is subject to change at any time without notice. Installations may be performed at different times of construction by different individuals. For this reason, these instructions should be left on-site with the facility or maintenance manager.

Installation Overview

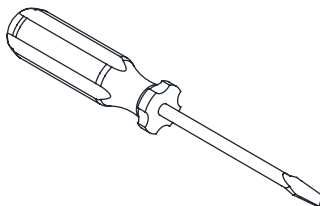
NOTE: Always flush pipework before installation.



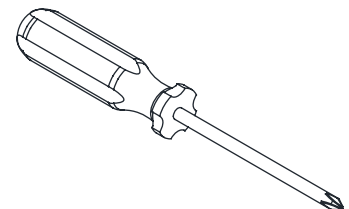
Required Tools



Smooth Jawed
Wrench



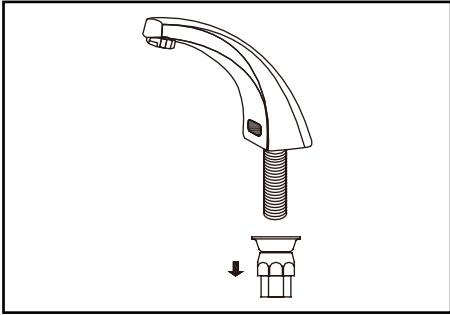
Flat Head
Screwdriver



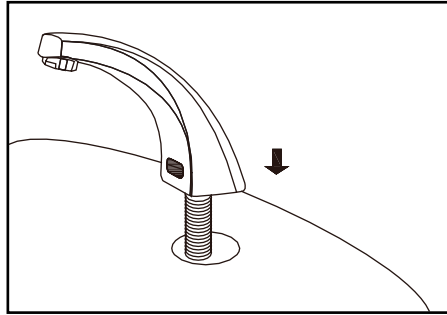
Phillips Head
Screwdriver

Installation Instructions

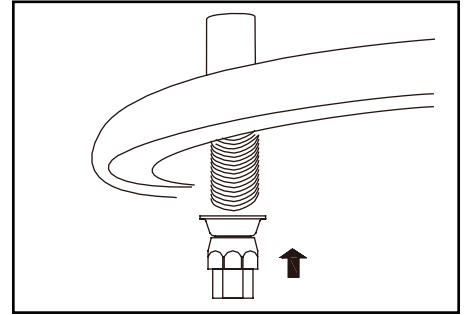
1. Unscrew mounting nut from faucet body.



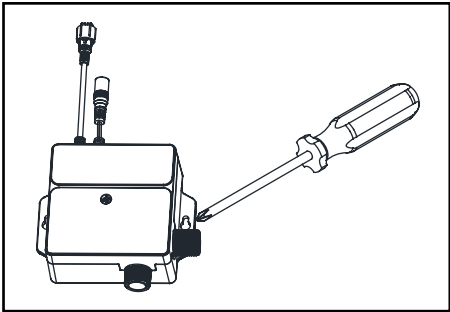
2. Place faucet shank through hole in basin.



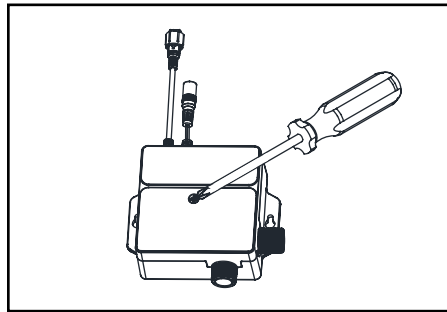
3. Screw mounting nut onto faucet shank from below deck.



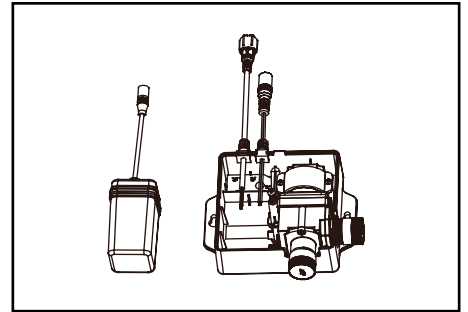
4. Fasten control box to wall underneath deck using wall anchors and screws.



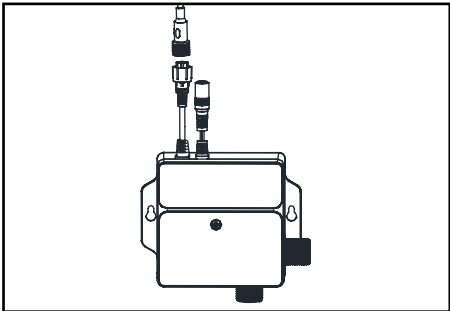
5. Remove control box cover using Phillips-head screwdriver.



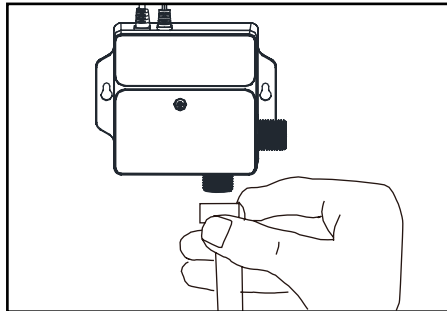
6. Open the battery box. Install 4 AA alkaline batteries. Close battery box and re-install control box cover.



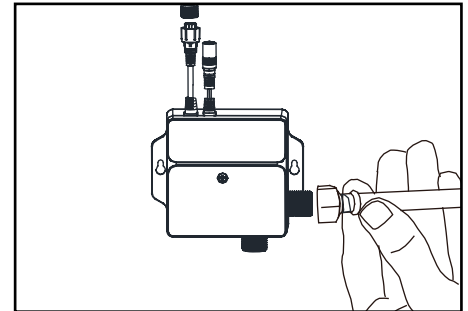
7. Connect sensor cable to corresponding cable from control box.



8. Connect flexible hose to faucet and control box outlet.



9. Connect water supply to control box inlet.



Trouble Shooting: Faucet

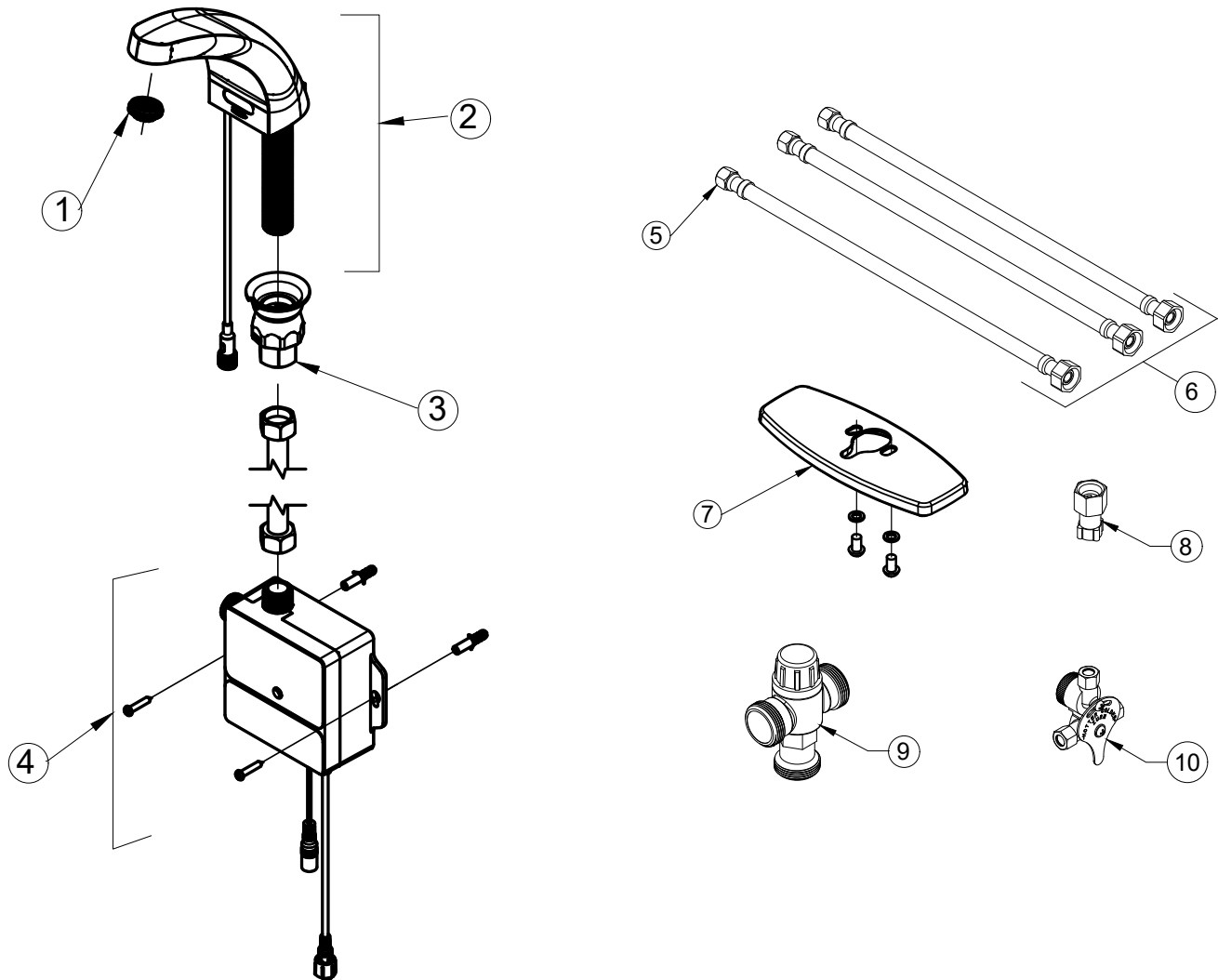
Problem	Possible Cause	Corrective Action
No flow or low flow	Batteries are dead or dying	Replace batteries
	Water supply cut off	Restore water supply
	Debris in filter	Clean or replace filter
	Insufficient water pressure	Adjust water pressure
Continuous flow	Debris on the sensor window	Clean sensor window
Short cycles of battery	Incorrect batteries	Change batteries to AA alkaline
The indicator light is not on	Indicator light is faulty	Replace sensor subassembly
	Circuitry board or signal line is wet	Replace sensor subassembly
	The battery is exhausted	Change the battery
	Poor connection of battery	Check the battery connection

Care & Maintenance

Whilst modern plating techniques are used in manufacture of this product, the surface will be affected if cleaned incorrectly.

Surfaces should be maintained using a lean damp cloth, no abrasive agents or materials should be used or come into contact with the surface finish, or this will invalidate your warranty

Repair Parts Breakdown



	Product No.	Description
1a	P6933/36-L	1.0 GPM SLIM METRIC AERATOR KIT
1b	P6933/36-F	0.5 GPM SLIM METRIC AERATOR KIT
2	P6936-1	Z6936 SPOUT KIT
3	P6936-43	Z6936 HARDWARE KIT
4	P6933/36-B-L	Z6933/36 CONTROL BOX KIT
5	P6900-SSH	SINGLE SUPPLY HOSE - 3/8 X 1/2 X 16
6	P6900-SH-XL	THREE PIECE SUPPLY HOSE ASSEMBLY
7	P6936-CP4	Z6936 COVER PLATE KIT
8	P6900-MV-ADAP	MIXING ADAPTOR ASSY
9	P6900-TMV-1-XL	THERMOSTATIC MIXING VALVE F/ SINGLE FAUCET LEAD FREE
10	P6900-MV-XL	LEAD FREE MIXING VALVE

