



AquaSense®

Battery Powered Sensor Faucets

Installation, Operation, Maintenance and Parts Manual



Z6933

Sensor-Operated Lavatory Faucet

- ⚠ **WARNING:** Cancer and Reproductive Harm - www.P65Warnings.ca.gov
- ⚠ **ADVERTENCIA:** Cáncer y daño reproductivo - www.P65Warnings.ca.gov
- ⚠ **AVERTISSEMENT:** Cancer et effets néfastes sur la reproduction - www.P65Warnings.ca.gov

LIMITED WARRANTY

All goods sold hereunder are warranted to be free from defects in material and factory workmanship for a period of three years from the date of purchase. Decorative finishes warranted for one year. We will replace at no costs goods that prove defective provided we are notified in writing of such defect and the goods are returned to us prepaid at Sanford, NC, with evidence that they have been properly maintained and used in accordance with instructions. We shall not be responsible for any labor charges or any loss, injury or damages whatsoever, including incidental or consequential damages. The sole and exclusive remedy shall be limited to the replacement of the defective goods. Before installation and use, the purchaser shall determine the suitability of the product for his intended use and the purchaser assumes all risk and liability whatever in connection therewith. Where permitted by law, the implied warranty of merchantability is expressly excluded. If the products sold hereunder are "consumer products," the implied warranty of merchantability is limited to a period of three years and shall be limited solely to the replacement of the defective goods. All weights stated in our catalogs and lists are approximate and are not guaranteed.

NOTICE: READ ENTIRE MANUAL PRIOR TO INSTALLING PRODUCT.

Rev. B | Date: 01/03/23 | C.N. No. 144945 | Prod./Dwg. No. FV763

Patent zurn.com/patents

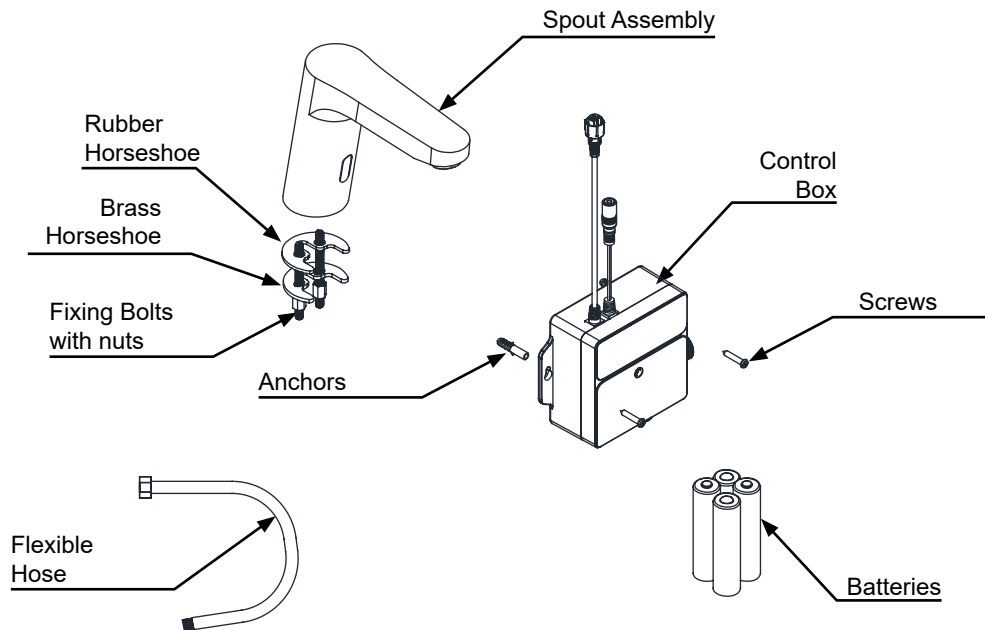
US 1.855.0NE.ZURN CANADA 1.877.892.5216

ZURN.COM

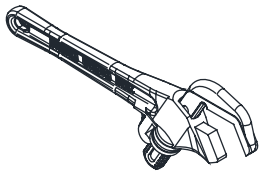
by **ZURN ELKAY** Water Solutions

This Page Intentionally Left Blank

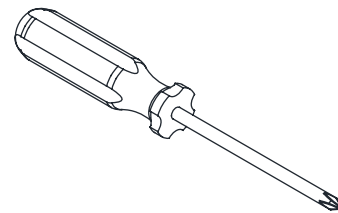
Z6933 AquaSense® Package Contents



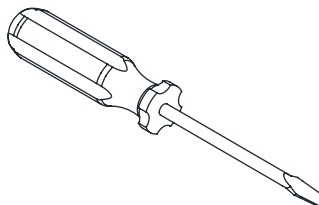
Required Tools



Smooth Jawed
Wrench



Phillips Head
Screwdriver



Flat Head
Screwdriver

Overview:

Designed for modern commercial restrooms, the AquaSense Z6933 sensor faucet delivers a superior user experience in both form and function. This faucet maintains a sleek and simple design that is easy to install and a user-friendly handwashing solution.

This faucet has been designed and manufactured to comply with Section 1417 of the Safe Drinking Water Act (SDWA) which mandates the weighted average lead content of no more than 0.25% of the wetted surface.

Specifications:

Voltage:	6 VDC Series [4 "AA" (Alkaline)]
Sensor Range:	10"-2" (25-31cm)
Operating Water Pressure:	7.25-101 psi (0.05-0.7MPa)
Operational Water Temperature:	33°F to 131°F (1°C to 55°C)
Aerator:	Spray, 0.5 GPM (Standard)
Diameter of Inlet:	G1/2"

Important Safety Information:

- Installer is responsible for ensuring the product is installed and conforms to all plumbing codes and ordinances.
- Do not convert or modify this Zurn product yourself. All warranties will be voided.
- Water supply lines must be sized according to building designer in order to provide adequate water supply for each fixture.
- Flush all water lines prior to making connections.

Prior to Installation:

Before installing your Zurn® AquaSense® Faucet: the items listed below should already be installed on site.

- Lavatory/sink
- Drain Line
- Hot and cold water supply line or pre-tempered water supply line.
- Installer/Service should not use pipe dope or teflon/thread sealant anywhere on this product, most notably threads and connection points.
- Care shall be taken when installing this product to prevent marring of any exposed or decorative surfaces.

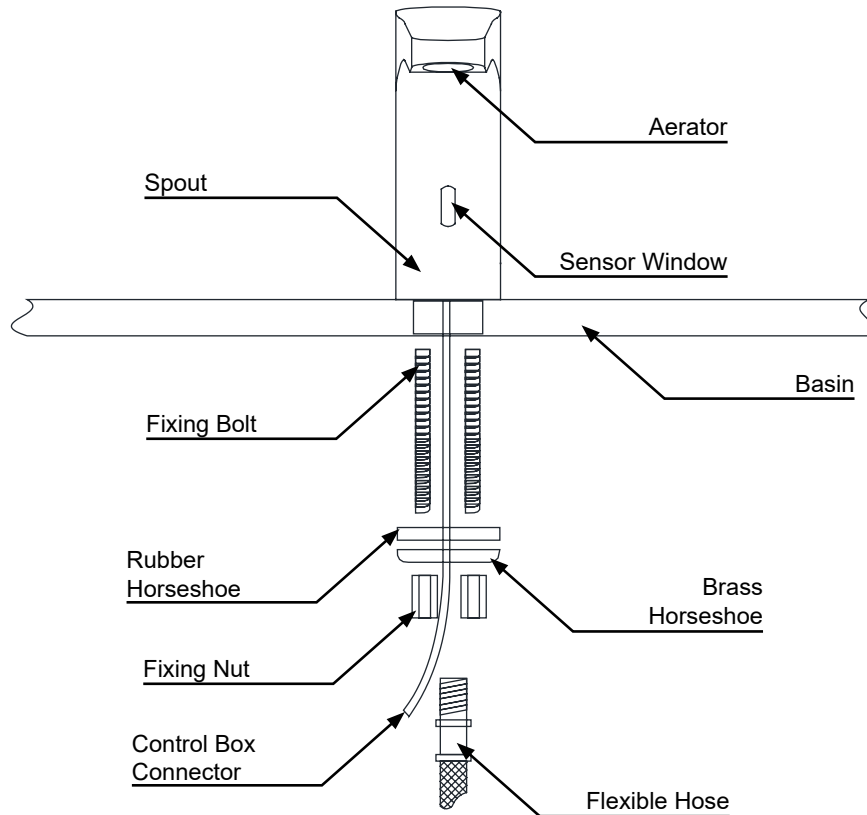
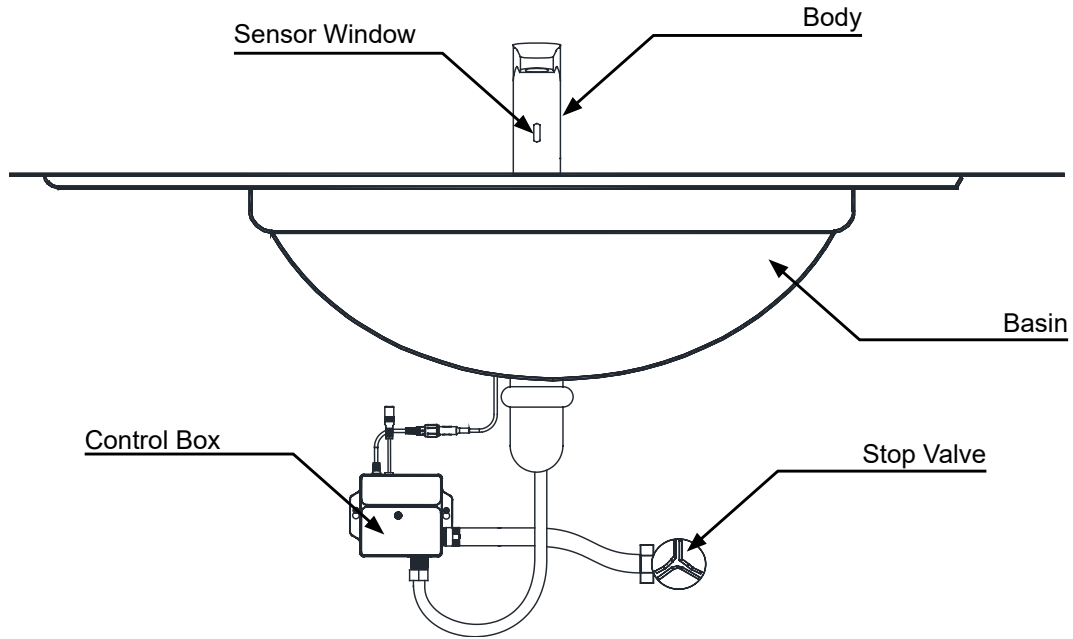
⚠ *Be sure the water supply is turned on and the sink/lavatory/basin is clear from any objects upon making the sensor to electronics connection initiating the self-calibration feature. The sink must be clear of any and all objects and water supply is turned on in order to calibrate appropriately (calibration time approx 30-60sec) (the system will perform both a wet & dry calibration).*

NOTE: The information in this manual is subject to change at any time without notice. Installations may be performed at different times of construction by different individuals. For this reason, these instructions should be left on-site with the facility or maintenance manager.

Installation Overview

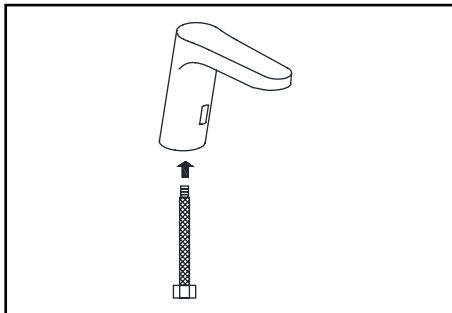
NOTE: Always flush pipework before installation.

The installation place which you choose and design should be sunless and lightless.

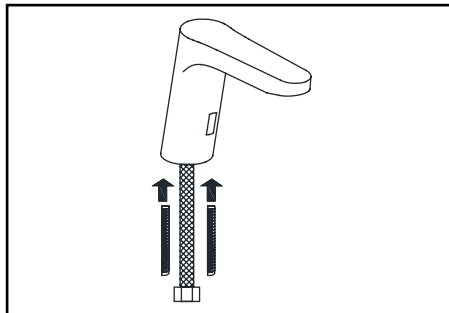


Installation Instructions

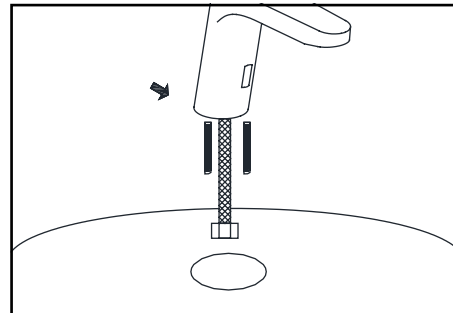
1. Screw flexible hose into faucet body.



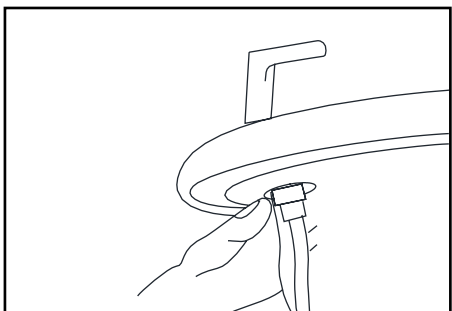
2. Screw fixing bolts into faucet body with a flat-head screwdriver.



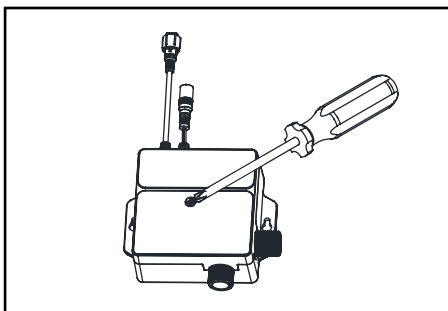
3. Feed hose and faucet through deck opening.



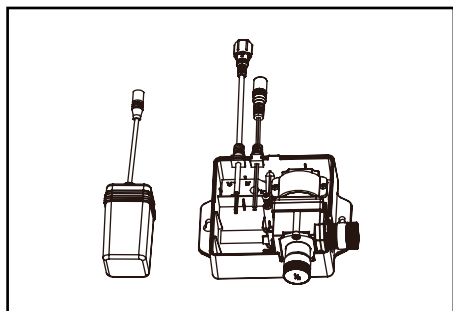
4. Slide horseshoes (rubber, then brass) up through fixing bolts and fasten to the deck with fixing nuts.



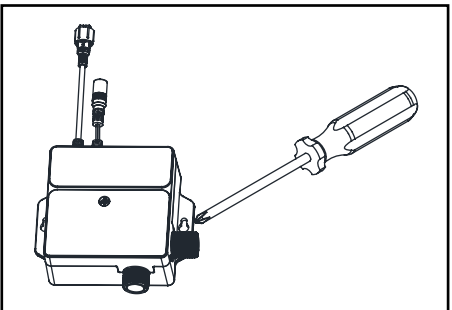
5. Open control box with phillips head screwdriver.



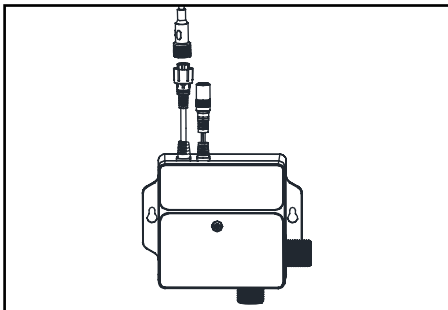
6. Install 4 AA batteries.



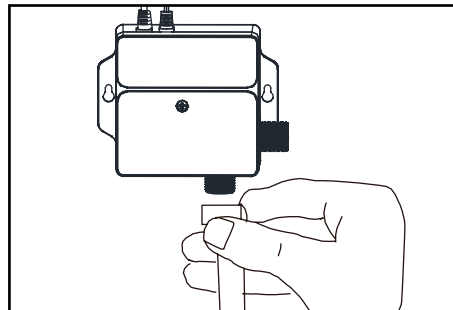
7. Fix control box close to faucet (ensure flexible hose will connect), using anchors and screws provided.



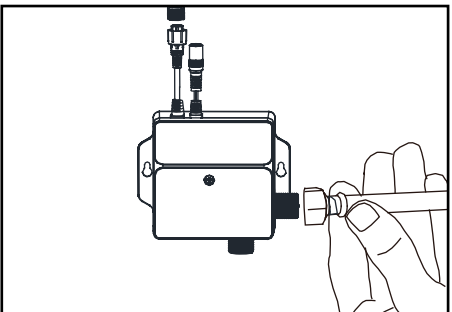
8. Connect sensor cable to control box socket and screw plastic nut tightly.



9. Connect flexible hose from faucet to control box (out).



10. Connect control box (in) to water supply.



Trouble-Shooting

Problem	Possible Cause	Corrective Action
No water out	The battery is exhausted (DC item)	Change the battery
	Water supply cut off	Check water supply
	Dirt in the filter	Clean the filter
	Water pressure is too low	Raise the pressure
Water will not turn off	Dirt on the sensor window	Clear the dirt
Too little water flow	Water supply is turned too small	Adjust water supply
	The filter is too dirty	Clean the filter
	Water pressure is too low	Raise the pressure
Too much water flow	Water supply is turned too high	Adjust supply
	Water pressure is too high	Adjust pressure
Short cycles of battery	Incorrect batteries	Change to 4 AA alkaline battery
The indicator light is not on	The light is broken	Change the light or circuitry board
	The circuitry board is wet or signal line is wet	Dry out
	The battery is exhausted	Change the battery
	Poor connection of battery	Check the battery connection

For further assistance with troubleshooting visit <http://www.zurn.com>

Care & Maintenance

Whilst modern plating techniques are used in manufacture of this product, the surface will be affected if cleaned incorrectly.

Surfaces should be maintained using a lean damp cloth, no abrasive agents or materials should be used or come into contact with the surface finish, or this will invalidate your warranty

Rev. B | Date: 01/03/23 | C.N. No. 144945 | Prod./Dwg. No. FV763

Patent zurn.com/patents

US 1.855.0NE.ZURN CANADA 1.877.892.5216

ZURN.COM

by **zurn ELKAY** Water Solutions