



Model: Z.WC3.AS.TM

Zurn One Sensor Floor Mounted ADA Height Toilet System with 1.1 GPF EcoVantage® Battery Powered Flush Valve

TAG _____

Architectural/Engineering Specification:

Complete EcoVantage® high efficiency 1.1 gpf sensor actuated, battery powered, floor mounted commercial water closet system with ZER6000AV-ONE-TM exposed, sensor activated with manual override button chrome plated closet diaphragm flushometer for either left or right hand supply, Z5955SS-EL open front commercial toilet seat and Z5665-BWL1 floor mounted vitreous china water closet with Z5972-COMB closet flange outlet gasket assembly kit manufactured by Zurn Industries.

Product Features:

- 1.1 gpf (gallons per flush)
- Floor mounted elongated front rim top spud toilet
- High efficiency siphon jet flush action
- 2-1/8" fully glazed trapway
- Large water spot - 12" x 10"
- Vitreous china wall bowl construction
- Diaphragm- type flushometer complete with Zurn's Go Blue® TPE, chloramine resistant, dual seal diaphragm with a clog resistant filtered by-pass.
- Manual Override Button
- High pressure vacuum breaker
- Adjustable tailpiece
- Control stop with internal siphon guard protection, vandal resistant cap, sweat solder kit and cast wall flange with set screw
- Open front, elongated, white commercial toilet seat with SS check hinges
- 14% water savings over standard 1.28 gpf system
- 31% water savings over standard 1.6 gpf system



Zurn One System Packout Includes:

Water Closet - Z5665-BWL1:

Vitreous China, floor mounted, bottom outlet toilet with siphon jet flushing action and elongated front rim with 1-1/2" spud. This bowl is designed to perform to industry standards with as little as 1.1 gallons per flush.

Flush Valve - ZER600AV-ONE-TM:

The ZER EZ Gear-Driven Water Closet Flush Valve is performance engineered with the dual action of the ceramic disc cartridge and motor gear-driven operation. Its polished chrome-plated finish, modern top-mount design with manual override button, and quiet diaphragm operation are ideal for new and retrofit commercial restroom applications.

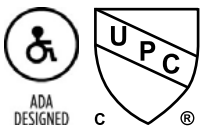
Z5955SS-EL:

Elongated, open front white toilet seat with stainless steel check hinges

Z5972-COMB:

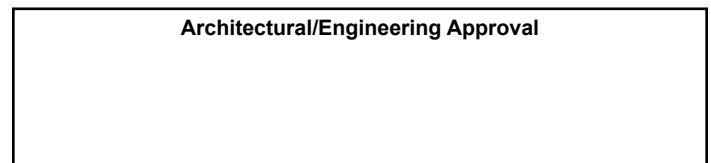
Closet bolt/wax ring kit

Compliance and Certification:



Meets the American Disabilities Guidelines and ANSI A117.1 requirements when installed according to these requirements.

Fixture - Complies with ASME A119.2 / CSA B45.1



The information contained in this document is subject to change without notice. Please contact Zurn for most up to date information.

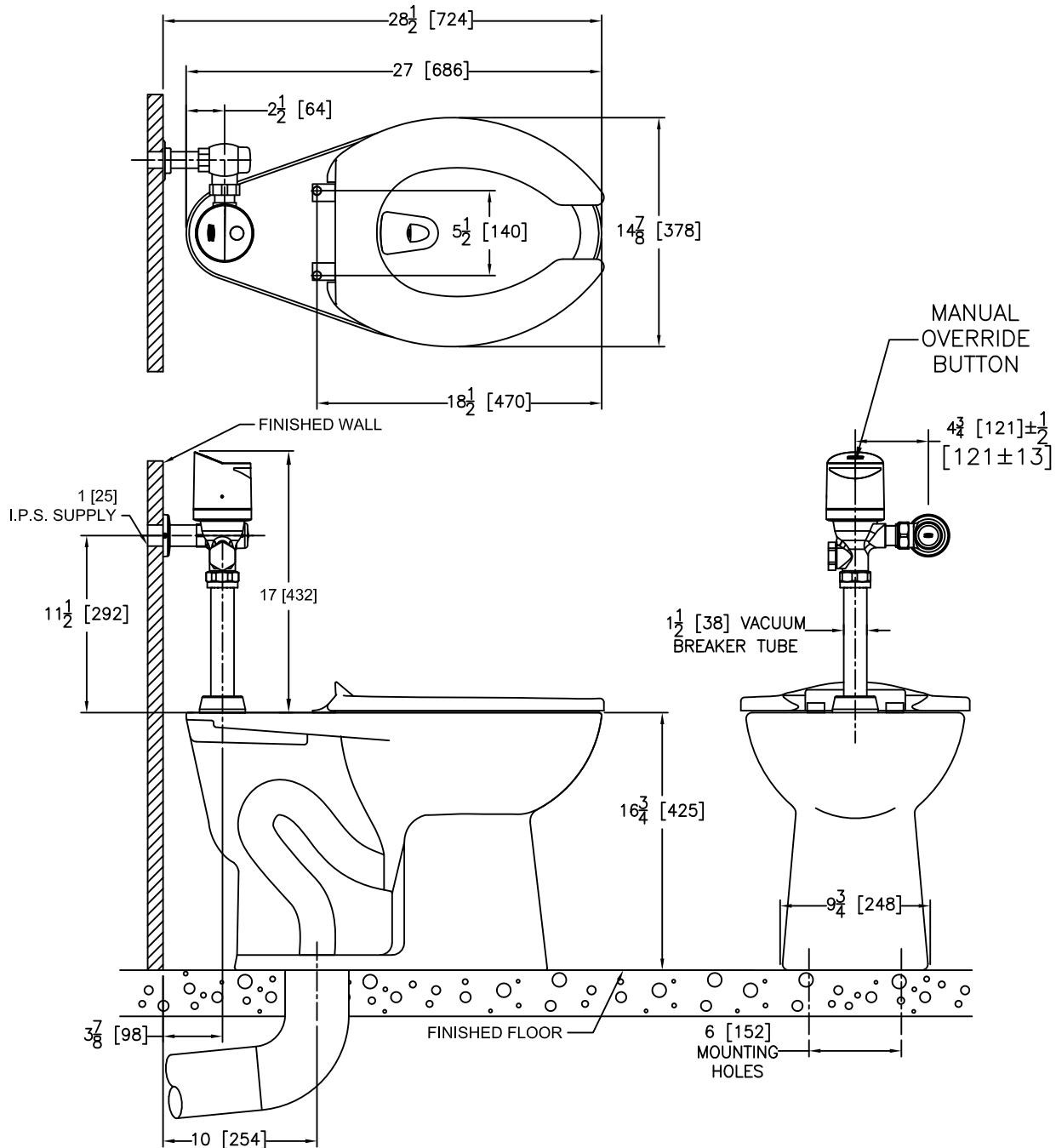


Model: Z.WC3.AS.TM

Zurn One Sensor Floor Mounted ADA Height Toilet System
with 1.1 GPF EcoVantage® Battery Powered Flush Valve

TAG _____

Rough-in Dimensions



Meets the American Disabilities Guidelines and ANSI A117.1 requirements when installed according to these requirements.

Fixture - Complies with ASME A119.2 / CSA B45.1

