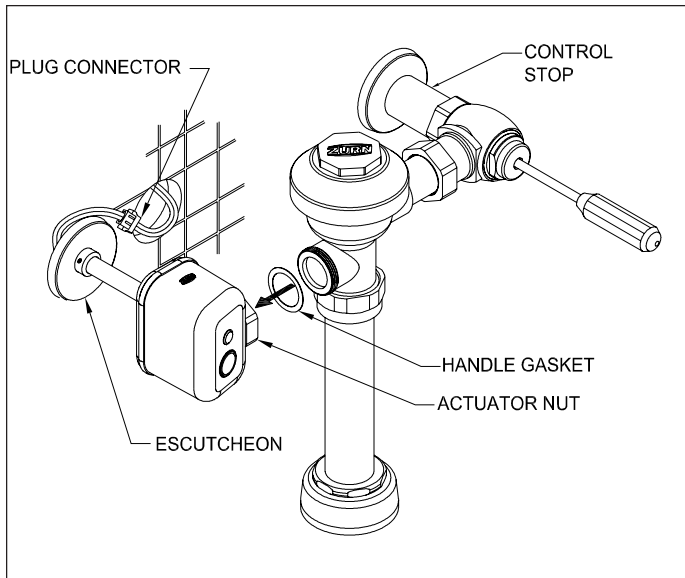
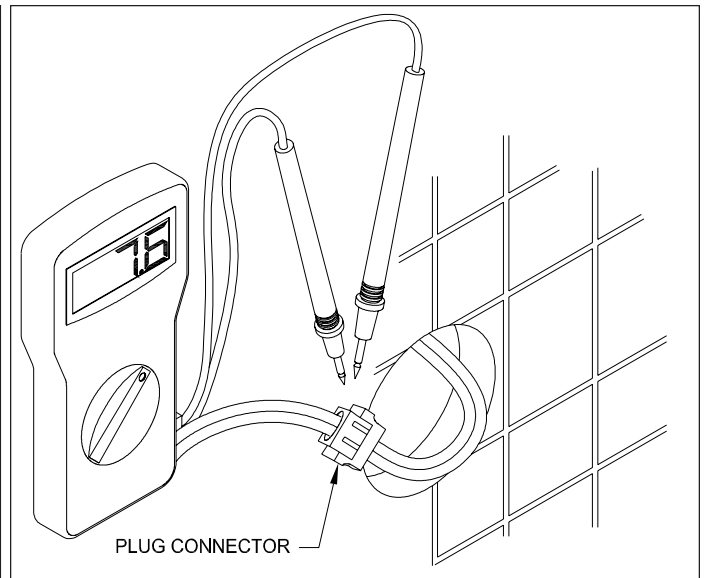




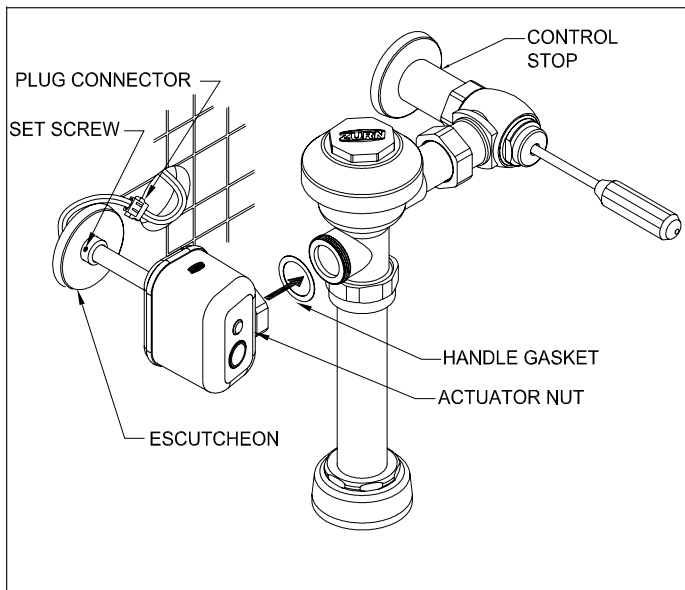
AquaSense® AV ZEMS-IS Motor Actuator Replacement



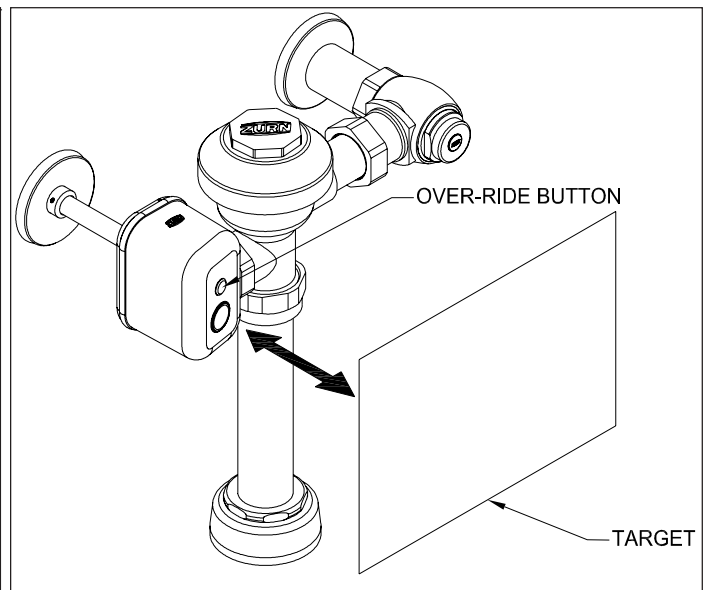
Step 1- Shut off water, remove old ZEMS-IS actuator and carefully unplug the power chord.



STEP 2 - Check voltage at power chord with voltmeter. Voltage **MUST** be between 7.0 and 9.0 volts DC.



Step 3- Place escutcheon on new ZEMS-IS motor actuator, connect wires at plug connector, then attach new ZEMS-IS actuator to valve with gasket provided. Set escutcheon against wall and tighten set screw. Turn on water.



Step 4- Check actuator to ensure sensor is working. Hold manila folder at edge of the toilet for 10 seconds. Remove and actuator should flush valve.