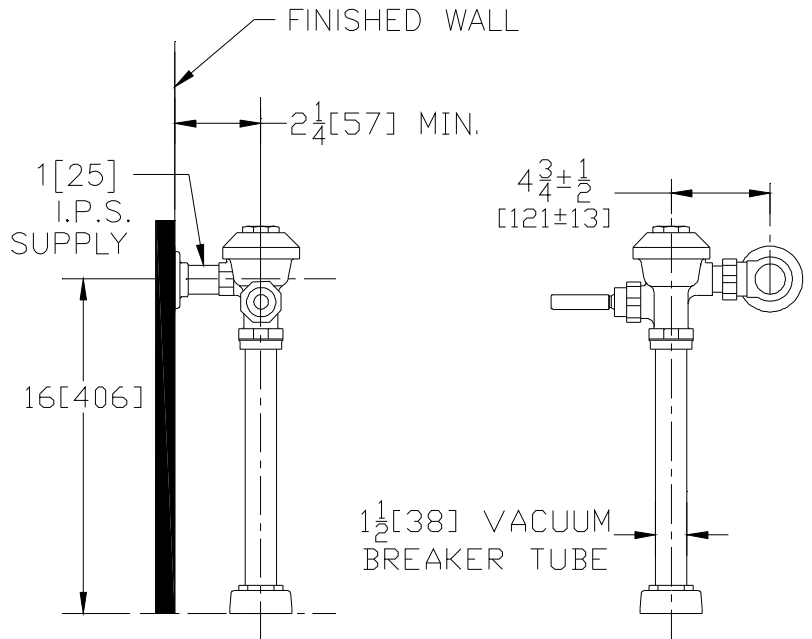




# Z6000AV-1

Exposed Manual Flush Valve For Water Closets



### Flow Options

- ONE\* 1.1 gpf High Efficiency Flush
- HET\* 1.28 gpf High Efficiency Flush
- WS1 1.6 gpf Low Consumption Flush
- Standard 3.5 gpf
- FF 4.5 gpf Full Flush

### Suffix Options (Check/Specify Appropriate Options)

- \_\_\_\_\_ -BG BioCare Handle
- \_\_\_\_\_ -DF Dual Flush Handle
- \_\_\_\_\_ -H Handle on Front of Flush Valve
- \_\_\_\_\_ -L 1" [25] Metal Push Button
- \_\_\_\_\_ -L3 3" [76] Metal Push Button
- \_\_\_\_\_ -YJ Split Ring Pipe Support
- \_\_\_\_\_ -YK Solid Ring Pipe Support
- \_\_\_\_\_ -YO Bumper on Angle Stop
- \_\_\_\_\_ Other

**ENGINEERING SPECIFICATION: ZURN Z6000AV-1 AquaVantage® 'AV' Exposed Closet Flush Valve-** Exposed, quiet diaphragm-type, chrome plated flushometer valve with a polished exterior. Complete with Zurn's AquaVantage® TPE, chloramine resistant, dual seal diaphragm with a clog resistant, triple filtered by-pass. The valve is ADA compliant with a non-hold open and no leak handle feature, high back pressure vacuum breaker, one piece hex coupling nut, adjustable tailpiece, spud coupling and flange for top spud connection. Control stop has internal siphon-guard protection, vandal resistant stop cap, sweat solder kit, and a cast wall flange with set screw. Internal seals are made of chloramine resistant materials.



\*This product should be used with a WaterSense labeled counterpart with a compatible flush volume to ensure that the entire system meets the requirements for water efficiency and performance.

Architectural/Engineering Approval

The information contained in this document is subject to change without notice.

ZURN INDUSTRIES, LLC. ♦ COMMERCIAL BRASS OPERATION ♦ 5900 ELWIN BUCHANAN DRIVE ♦ SANFORD NC 27330

Phone: 1-800-997-3876 ♦ Fax: 919-775-3541 ♦ World Wide Web: www.zurn.com

In Canada: ZURN INDUSTRIES LIMITED ♦ 7900 Goreway Drive Unit 10 ♦ Brampton, Ontario L6T5W6 ♦ Phone: 905-405-8272 Fax: 905-405-1292