



Z5665.274.00.00.00

Toilet / Water Closet - Floor Mounted - Flush Valve with Flush Valve



**Z5665:** Ecovantage 1.28 GPF High Efficiency or 1.6 GPF Flush Valve System with Floor-Mounted ADA Compliant Vitreous China Fixture

Vitreous China, 1.28 gpf [4.8 lpf] or greater high efficiency, ADA, floor mounted bottom outlet toilet with siphon jet flushing action and elongated front rim with 1-1/2" top spud. This bowl is designed to perform to industry standards with as little as 1.28 gallons per flush, engineered to provide optimal performance and 20% water savings over conventional 1.6 gpf toilets.



**ZEMS6000AV-HET:** 1.28 GPF Exposed Hardwired Automatic Sensor Flush Valve for Water Closets



Exposed, quiet diaphragm-type, chrome plated, flushometer valve with a polished exterior. Complete with Zurn's 1.28 gpf AquaVantage® TPE, chloramine resistant, dual seal diaphragm with a clog resistant, filtered by-pass. The valve incorporates a 6 VDC motorized actuator, an automatic sensor with a manual push-button override, high back pressure vacuum breaker, one piece hex coupling nut, adjustable tailpiece, spud coupling and flange for top spud connection. Switchable sensor features include: courtesy flush, automatic 24 hour flush, and diagnostic indicator lights. Control stop has internal siphon-guard protection, vandal resistant stop cap, sweat solder kit, and a cast wall flange with set screw. Internal seals are made of chloramine resistant materials. Electrical box by others (see installation instructions for type and size). Note: Order power converter separate, one power converter operates up to eight valves.



# Z5665-BWL1

TAG \_\_\_\_\_

## HET Elongated Floor Mounted, ADA Height EcoVantage® Flush Valve Toilet System



### Z5665 HET Series

- Zurn High Efficiency Toilets and paired performance flush valve systems are designed to exceed industry standards while using as little as 1.1 gallons of water per flush.
- Universal high efficiency toilet can be specified with 1.1 gpf [4.2 lpf ], 1.28 gpf [4.8 lpf], 1.6 gpf [6.0 lpf] or dual flush valves.
- 1.1 gpf offer 31% savings over 1.6 gpf system
- Vitreous china
- ADA height
- Elongated front rim
- 2 1/8" fully glazed trapway
- High efficiency siphon jet flush action
- Shipping Weight: 57 lbs.

### Engineering Specification

#### Z5665-BWL1

**EcoVantage High Efficiency Toilet System**  
Vitreous China, 1.1 gpf [4.16 lpf] or greater high efficiency, ADA, floor mounted, bottom outlet toilet with siphon jet flushing action and elongated front rim with 1-1/2" top spud. This bowl is designed to perform to industry standards with as little as 1.1 gallons per flush.

\*Replaces Zurn Z5665

#### Z5666-BWL1

**EcoVantage High Efficiency Toilet System**  
Vitreous China, 1.1 gpf [4.16 lpf] or greater high efficiency, ADA, floor mounted, bottom outlet toilet with siphon jet flushing action and elongated front rim with integral bedpan lugs, and 1-1/2" top spud. This bowl is designed to perform to industry standards with as little as 1.1 gallons per flush.

\*Replaces Zurn Z5666

Architectural/Engineering Approval
------------------------------------

### Z5665 Series Elongated

#### Recommended Trim:

- Z5955SS-EL** Elongated, standard white, open front toilet seat less cover with stainless steel check hinge.

- Z5972-COMB** Closet bolt/wax ring kit

**Note:** To ensure system performance:  
Minimum Running Water Pressure = 25 psi.

*These dimensions and specifications are subject to change without notice.*

*Fixture dimensions meet ANSI/ASME standard A112.19.2 and CAN/CSA B45 requirements.*

*Meets the American Disabilities Guidelines and ANSI A117.1 requirements when installed according to these requirements.*



See Zurn One Systems for suggested packages.

ZURN INDUSTRIES, LLC. ♦ COMMERCIAL BRASS OPERATION ♦ 5900 ELWIN BUCHANAN DRIVE ♦ SANFORD NC 27330

Phone: 1-800-997-3876 ♦ Fax: 919-775-3541 ♦ World Wide Web: www.zurn.com

In Canada: ZURN INDUSTRIES LIMITED ♦ 3544 Nashua Drive ♦ Mississauga, Ontario L4V1L2 ♦ Phone: 905-405-8272 Fax: 905-405-1292



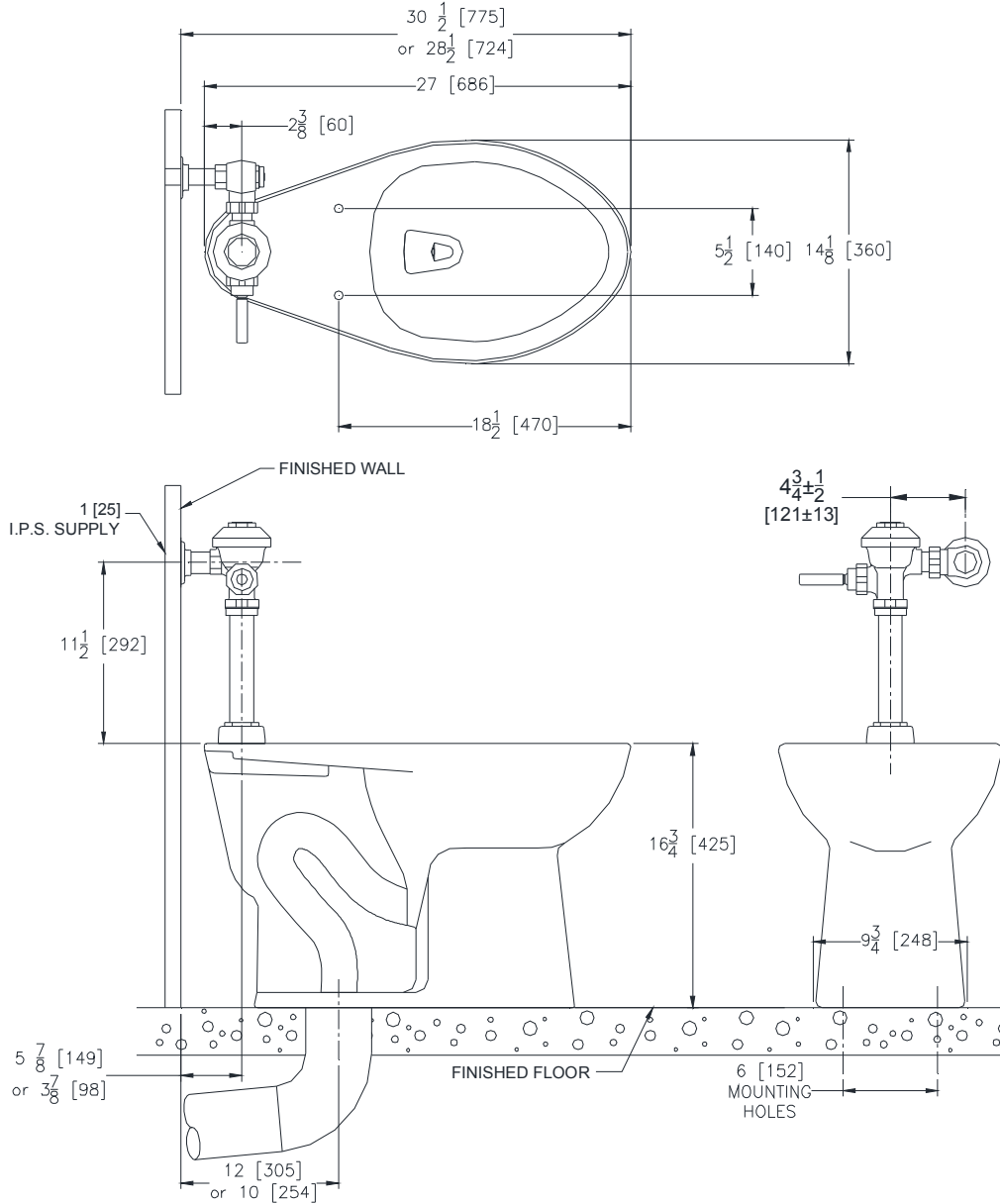
# Z5665-BWL1

TAG \_\_\_\_\_

## HET Elongated Floor Mounted, ADA Height EcoVantage® Flush Valve Toilet System

Rough-in dimensions for Z5665 Series

- Z5665 with top spud, shown with Z6000AV-HET valve



*These dimensions and specifications are subject to change without notice.*

*Fixture dimensions meet ANSI/ASME standard A112.19.2 and CAN/CSA B45 requirements.*

*Meets the American Disabilities Guidelines and ANSI A117.1 requirements when installed according to these requirements.*



EcoVantage® is a registered trademark of Zurn Industries

ZURN INDUSTRIES, LLC. ♦ COMMERCIAL BRASS OPERATION ♦ 5900 ELWIN BUCHANAN DRIVE ♦ SANFORD NC 27330

Phone: 1-800-997-3876 ♦ Fax: 919-775-3541 ♦ World Wide Web: www.zurn.com

In Canada: ZURN INDUSTRIES LIMITED ♦ 3544 Nashua Drive ♦ Mississauga, Ontario L4V1L2 ♦ Phone: 905-405-8272 Fax: 905-405-1292

EcoVantage® and AV are registered trademarks of Zurn Industries, LLC. Rev. -

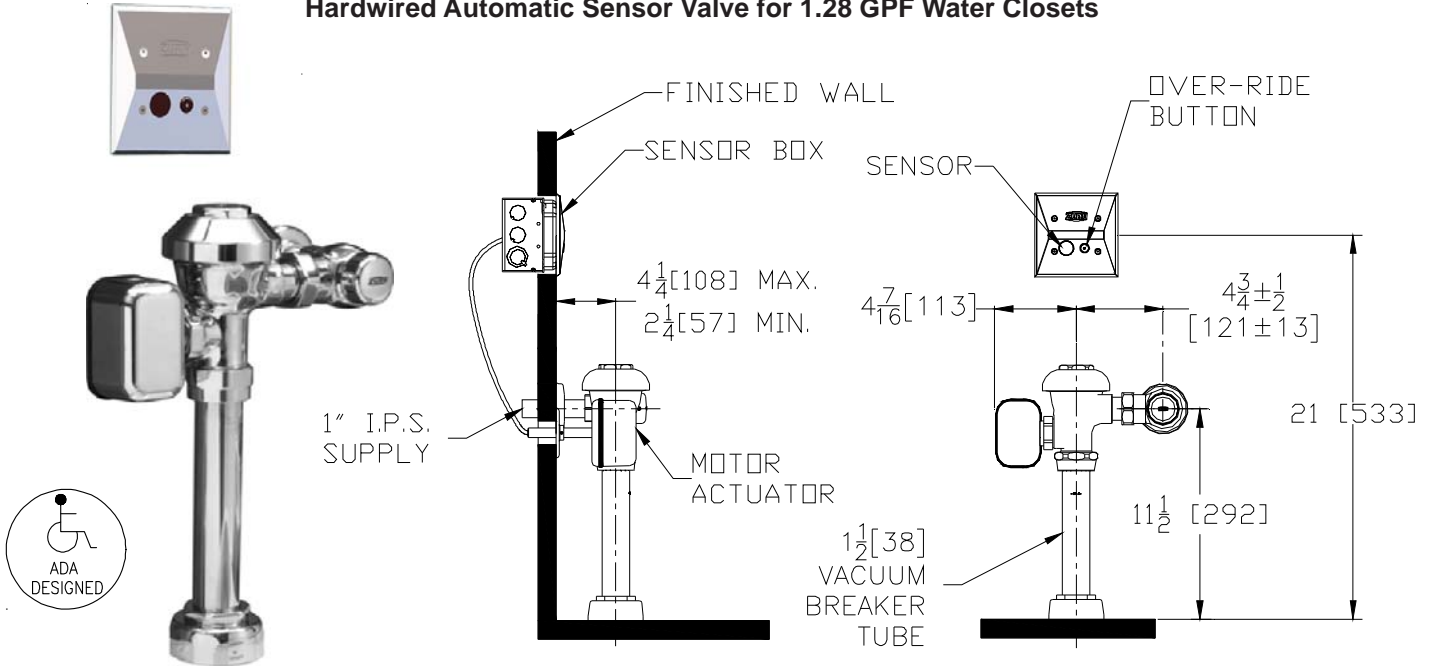
Dwg. No. 314412

Date: 11/24/2015

Product No. Z5665-BWL1

# ZEMS6000AV-HET

Hardwired Automatic Sensor Valve for 1.28 GPF Water Closets



## Accessories

- FM12 Floor Mount 12" Rough In
- YJ Split Ring Pipe Support
- YK Solid Ring Pipe Support
- YO Bumper on Angle Stop
- \_\_\_\_\_ Other

## Power Supply Choices (Sold Separately)

- ACA-BA 6VDC Plug-in Power Converter (Up to 6 valves)
- HW6 Hardwired Power Converter (Up to 8 Valves)
- MJ Mini Junction Box

Architectural/Engineering Approval

The information contained in this document is subject to change without notice.  
Please contact Zurn for most up to date information.

**NOTE: MUST USE EITHER ZURN P6000-HW6 HARDWIRE POWER CONVERTER OR ZURN P6900-ACA-BA PLUG-IN POWER CONVERTER TO ENSURE PROPER OPERATION. USING A POWER CONVERTER OTHER THAN ZURN MAY RESULT IN OPERATION MALFUNCTION OR UNIT FAILURE.**

ZURN INDUSTRIES, LLC. ♦ COMMERCIAL BRASS OPERATION  
5900 ELWIN BUCHANAN DRIVE ♦ SANFORD NC 27330  
Phone: 1-800-997-3876 ♦ Fax: 919-775-3541  
www.zurn.com  
In Canada: ZURN INDUSTRIES LIMITED  
3544 Nashua Drive ♦ Mississauga, Ontario L4V1L2  
Phone: 905-405-8272 Fax: 905-405-1292

## ENGINEERING SPECIFICATIONS

Exposed, quiet diaphragm-type, chrome plated flushometer valve with a polished exterior.

- Zurn's AquaVantage® TPE diaphragm
  - Clog Resistant by-pass
  - Chloramine resistant
  - Dual seal
- Proprietary DR resistant low lead brass alloy
- Actuator
  - ZEMS 6 VDC Motorized Actuator
- Automatic Sensor
  - Fully configurable sensor range adjustment
  - 48 or 168 hour trap seal flush
  - Capacitive sensing push button override
- Control Stop
  - Internal siphon-guard protection
  - Vandal resistant stop cap
  - Sweat solder kit
  - Cast wall flange with set screw
- Vacuum Breaker
  - High back pressure
  - One piece hex coupling nut
- Internal seals
  - Chloramine resistant
- Adjustable tailpiece
- Spud coupling and flange for top spud connection