



Z5665.272.00.00.00

Toilet / Water Closet - Floor Mounted - Flush Valve with Flush Valve



Z5665: Ecovantage 1.28 GPF High Efficiency or 1.6 GPF Flush Valve System with Floor-Mounted ADA Compliant Vitreous China Fixture

Vitreous China, 1.28 gpf [4.8 lpf] or greater high efficiency, ADA, floor mounted bottom outlet toilet with siphon jet flushing action and elongated front rim with 1-1/2" top spud. This bowl is designed to perform to industry standards with as little as 1.28 gallons per flush, engineered to provide optimal performance and 20% water savings over conventional 1.6 gpf toilets.



ZEMS6000AV-HET-IS: 1.28 GPF Exposed Hardwired Automatic Sensor Flush Valve for Water Closets

Exposed, quiet diaphragm-type, chrome plated, flushometer valve with a polished exterior. Complete with Zurn's 1.28 gpf AquaVantage® TPE, chloramine resistant, dual seal diaphragm with a clog resistant, filtered by-pass. The valve incorporates a motorized actuator, an integral infrared convergence-type proximity sensor and a manual push-button override into an all-metal, polished chrome plated housing. Sensor range automatically adjusts to its environment at power up and is powered by a 7.6 VDC power converter. Each power converter can accommodate up to eight flush valves. The valve is complete with high back pressure vacuum breaker, one piece hex coupling nut, adjustable tailpiece, spud coupling and flange for top spud connection. Control stop has internal siphon-guard protection, vandal resistant stop cap, sweat solder kit, and a cast wall flange with set screw. Internal seals are made of chloramine resistant materials.



Z5665-BWL1

TAG _____

HET Elongated Floor Mounted, ADA Height EcoVantage® Flush Valve Toilet System



Z5665 HET Series

- Zurn High Efficiency Toilets and paired performance flush valve systems are designed to exceed industry standards while using as little as 1.1 gallons of water per flush.
- Universal high efficiency toilet can be specified with 1.1 gpf [4.2 lpf], 1.28 gpf [4.8 lpf], 1.6 gpf [6.0 lpf] or dual flush valves.
- 1.1 gpf offer 31% savings over 1.6 gpf system
- Vitreous china
- ADA height
- Elongated front rim
- 2 1/8" fully glazed trapway
- High efficiency siphon jet flush action
- Shipping Weight: 57 lbs.

Engineering Specification

Z5665-BWL1

EcoVantage High Efficiency Toilet System
Vitreous China, 1.1 gpf [4.16 lpf] or greater high efficiency, ADA, floor mounted, bottom outlet toilet with siphon jet flushing action and elongated front rim with 1-1/2" top spud. This bowl is designed to perform to industry standards with as little as 1.1 gallons per flush.

*Replaces Zurn Z5665

Z5666-BWL1

EcoVantage High Efficiency Toilet System
Vitreous China, 1.1 gpf [4.16 lpf] or greater high efficiency, ADA, floor mounted, bottom outlet toilet with siphon jet flushing action and elongated front rim with integral bedpan lugs, and 1-1/2" top spud. This bowl is designed to perform to industry standards with as little as 1.1 gallons per flush.

*Replaces Zurn Z5666

| |
|------------------------------------|
| Architectural/Engineering Approval |
|------------------------------------|

Z5665 Series Elongated

Recommended Trim:

- Z5955SS-EL** Elongated, standard white, open front toilet seat less cover with stainless steel check hinge.

- Z5972-COMB** Closet bolt/wax ring kit

Note: To ensure system performance:
Minimum Running Water Pressure = 25 psi.

These dimensions and specifications are subject to change without notice.

Fixture dimensions meet ANSI/ASME standard A112.19.2 and CAN/CSA B45 requirements.

Meets the American Disabilities Guidelines and ANSI A117.1 requirements when installed according to these requirements.



See Zurn One Systems for suggested packages.

ZURN INDUSTRIES, LLC. ♦ COMMERCIAL BRASS OPERATION ♦ 5900 ELWIN BUCHANAN DRIVE ♦ SANFORD NC 27330

Phone: 1-800-997-3876 ♦ Fax: 919-775-3541 ♦ World Wide Web: www.zurn.com

In Canada: ZURN INDUSTRIES LIMITED ♦ 3544 Nashua Drive ♦ Mississauga, Ontario L4V1L2 ♦ Phone: 905-405-8272 Fax: 905-405-1292



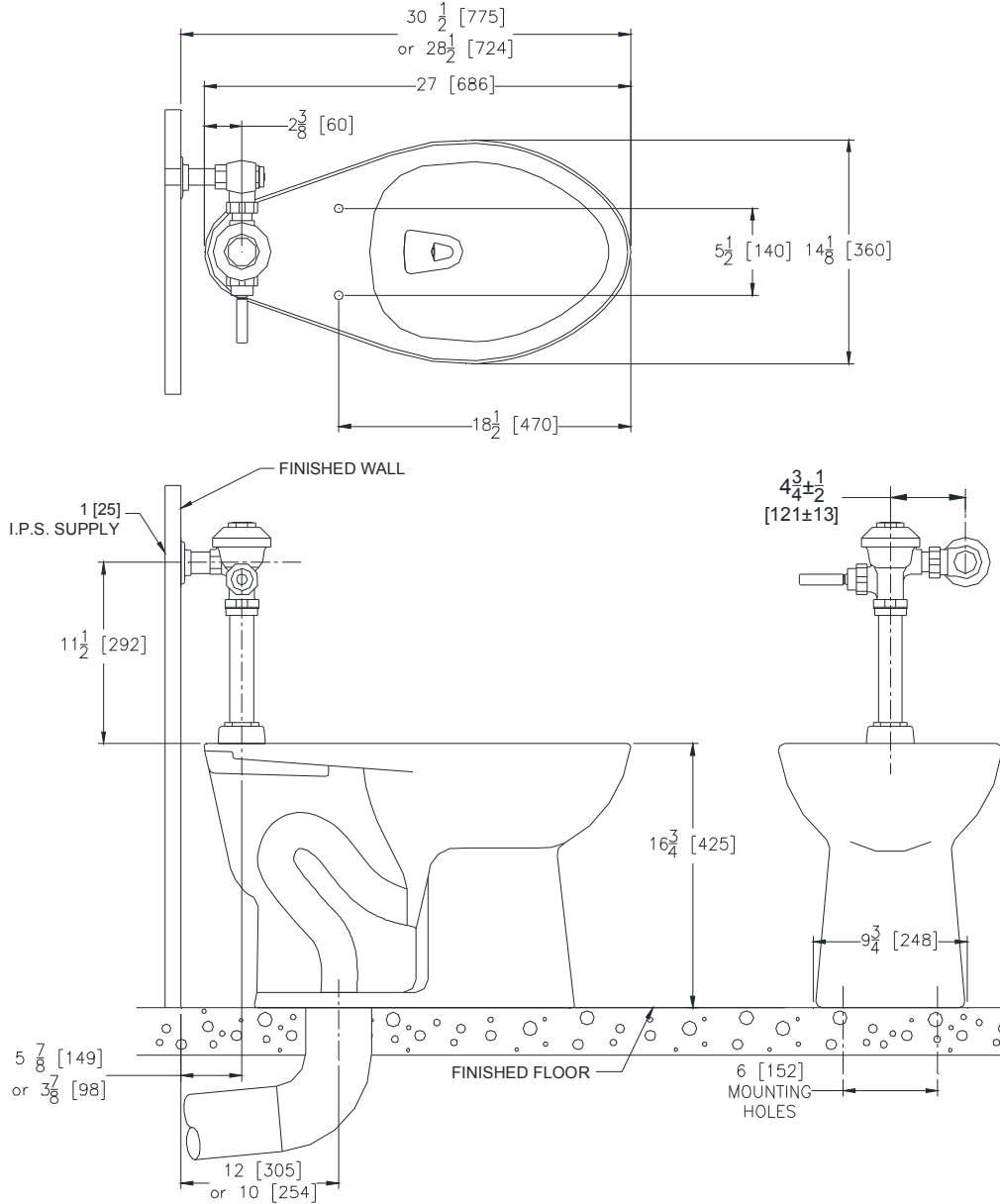
Z5665-BWL1

TAG _____

HET Elongated Floor Mounted, ADA Height EcoVantage® Flush Valve Toilet System

Rough-in dimensions for Z5665 Series

- Z5665 with top spud, shown with Z6000AV-HET valve



These dimensions and specifications are subject to change without notice.

Fixture dimensions meet ANSI/ASME standard A112.19.2 and CAN/CSA B45 requirements.

Meets the American Disabilities Guidelines and ANSI A117.1 requirements when installed according to these requirements.



EcoVantage® is a registered trademark of Zurn Industries

ZURN INDUSTRIES, LLC. ♦ COMMERCIAL BRASS OPERATION ♦ 5900 ELWIN BUCHANAN DRIVE ♦ SANFORD NC 27330

Phone: 1-800-997-3876 ♦ Fax: 919-775-3541 ♦ World Wide Web: www.zurn.com

In Canada: ZURN INDUSTRIES LIMITED ♦ 3544 Nashua Drive ♦ Mississauga, Ontario L4V1L2 ♦ Phone: 905-405-8272 Fax: 905-405-1292

EcoVantage® and AV are registered trademarks of Zurn Industries, LLC. Rev. -

Dwg. No. 314412

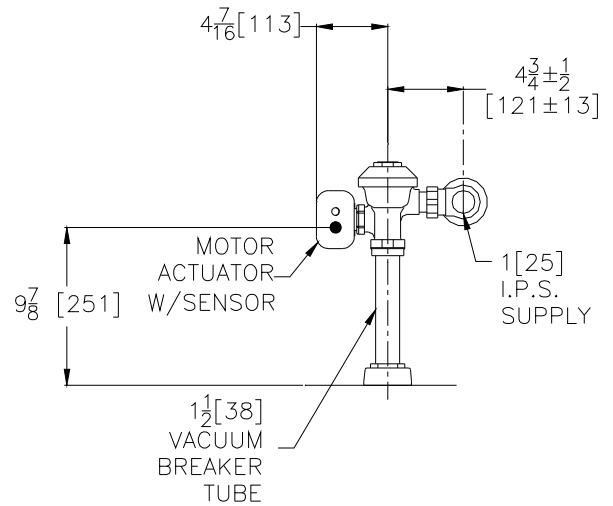
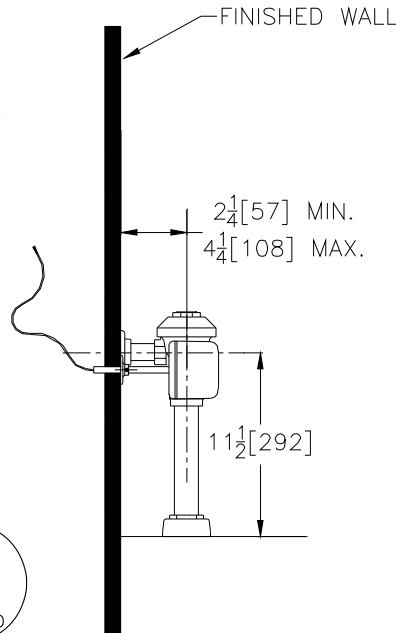
Date: 11/24/2015

Product No. Z5665-BWL1



Exposed ZEMS6000AV-HET-IS Model

1.28 GPF Hardwired Automatic Sensor Flush Valve For Water Closets



Suffix Options (Check/Specify Appropriate Options)

- _____ -YJ Split Ring Pipe Support
- _____ -YK Solid Ring Pipe Support
- _____ -YO Bumper on Angle Stop
- _____ Other

Accessories (Order separate as specified)

- P6000-PC6** Plug-in Power Converter (Up to 8 valves)
- P6000-MJ** Mini Junction Box
- P6000-HW6** Hardwire Power Converter (Up to 8 valves)

NOTE: MUST USE EITHER ZURN P6000-HW6 HARDWIRE POWER CONVERTER OR ZURN P6000-PC6 PLUG-IN POWER CONVERTER TO ENSURE PROPER OPERATION. USING A POWER CONVERTER OTHER THAN ZURN MAY RESULT IN OPERATION MALFUNCTION OR UNIT FAILURE.

This space is for Architectural/Engineering Approval

ENGINEERING SPECIFICATION: ZURN ZEMS6000AV-HET-IS AquaSense® 'AV' Exposed Hardwired Automatic Sensor Flush Valve For Water Closets- Exposed, quiet diaphragm-type, chrome plated, flushometer valve with a polished exterior. Complete with Zurn's 1.28 gpf AquaVantage® TPE, chloramine resistant, dual seal diaphragm with a clog resistant, filtered by-pass. The valve incorporates a motorized actuator, an integral infrared convergence-type proximity sensor and a manual push-button override into an all-metal, polished chrome plated housing. Sensor range automatically adjusts to its environment at power up and is powered by a 7.6 VDC power converter. This valve is equipped with the ability to provide a 48 hour courtesy flush if desired. Each power converter can accommodate up to eight flush valves. The valve is complete with high back pressure vacuum breaker, one piece hex coupling nut, adjustable tailpiece, spud coupling and flange for top spud connection. Control stop has internal siphon-guard protection, vandal resistant stop cap, sweat solder kit, and a cast wall flange with set screw. Internal seals are made of chloramine resistant materials.

The information contained in this document is subject to change without notice.
Please contact Zurn for most up to date information.

ZURN INDUSTRIES, LLC. ♦ COMMERCIAL BRASS OPERATION ♦ 5900 ELWIN BUCHANAN DRIVE ♦ SANFORD NC 27330

Phone: 1-800-997-3876 ♦ Fax: 919-775-3541 ♦ World Wide Web: www.zurn.com

In Canada: ZURN INDUSTRIES LIMITED ♦ 3544 Nashua Drive ♦ Mississauga, Ontario L4V1L2 ♦ Phone: 905-405-8272 Fax: 905-405-1292