



# Model Z5615.270.00.00.00

1.28 gpf Elongated Wall Hung EcoVantage®

Battery Powered Sensor Flush Valve Toilet System

TAG \_\_\_\_\_

## Z5615 HET Series

- Zurn One HET Toilet System designed for optimal performance between Zurn fixture and Zurn flush valve to save water.
- 1.28 gpf (gallons per flush) [4.8 Lpf]
- 20% water savings over standard 1.6 gpf [6.0Lpf] system
- Vitreous china
- Top Spud/Exposed System
- Battery Powered Sensor Flush Valve Operation
- Elongated front rim
- 2-1/8" fully glazed trapway
- High efficiency siphon jet flush action
- Zurn product system component compatibility and quality assurance
- Shipping Weight: 47 lbs.



Z5615 Series Elongated

### Suffix Options:

- RF Retro-Fit Nut Kit for extending carrier studs from existing wall.

### Recommended Carrier:

- Z1201 or Z1202 EZCarry® 500 lbs load rated High Efficiency Carrier

### Recommended Trim:

- Z5955SS-EL Elongated, standard white, open front toilet seat less cover with stainless steel check hinge.

Note: To ensure system performance:

**Minimum Running Water Pressure = 25 psi.**



This product should be used with a WaterSense labeled counterpart with a compatible flush volume to ensure that the entire system meets the requirements for water efficiency and performance.

Meets the American Disabilities Guidelines and ANSI A117.1 requirements when installed according to these requirements.

Fixture dimensions meet ANSI/ASME standard A112.19.2 and CAN/CSA B45 requirements.

In Canada - Consult local codes and standards.

EcoVantage® is a registered trademark of Zurn Industries

All dimensions and specifications are subject to change without notice.



## Engineering Specification

**Z5615.270 EcoVantage® High Efficiency Toilet System** - System comes complete with exposed ZER6000AV-HET-CPM, high efficiency sensor operated battery powered flushometer valve, and vitreous china wall-hung toilet. The system is designed to perform to industry standards with as little as 1.28 gallons per flush [4.8 Lpf]. Valve is exposed, quiet diaphragm-type, chrome plated, flushometer valve with a polished exterior, complete with Zurn's AquaVantage® TPE, chloramine resistant, dual seal diaphragm with clog-resistant, filtered by-pass. The valve incorporates a 7.6 VDC motor actuator, a battery powered automatic sensor, high impact resistant polycarbonate housing and chrome plated metal cover with manual override push button and 10 degree angled sensor. The valve is complete with high back pressure vacuum breaker, one piece hex coupling nut, adjustable tailpiece, spud coupling and flange for top spud connection. Control stop has internal siphon-guard protection, vandal resistant stop cap, sweat solder kit, and a cast wall flange with set screw. Internal seals are made of chloramine resistant materials. Vitreous china toilet is 1-1/2" top spud with 2-1/8" fully glazed trapway with siphon jet action. Valve and toilet are an engineered system designed to provide optimal performance and 20% water savings over 1.6 gpf [6.0 Lpf] conventional toilets.

This space is for Architectural/engineering Approval

Zurn Industries, LLC  
5900 Elwin Buchanan Drive, Sanford, NC U.S.A. 27330 · Ph. 1-800-997-3876, Fax 919-775-3541

In Canada | Zurn Industries Limited  
7900 Goreway Drive Unit 10, Brampton, Ontario L6T5W6 · Ph. 905-405-8272, Fax 905-405-1292

[www.zurn.com](http://www.zurn.com)

Rev. -  
Date: 10/26/2017  
C.N. No. SAN007892  
Prod. | Dwg. No. 317198



# Model Z5615.270.00.00.00

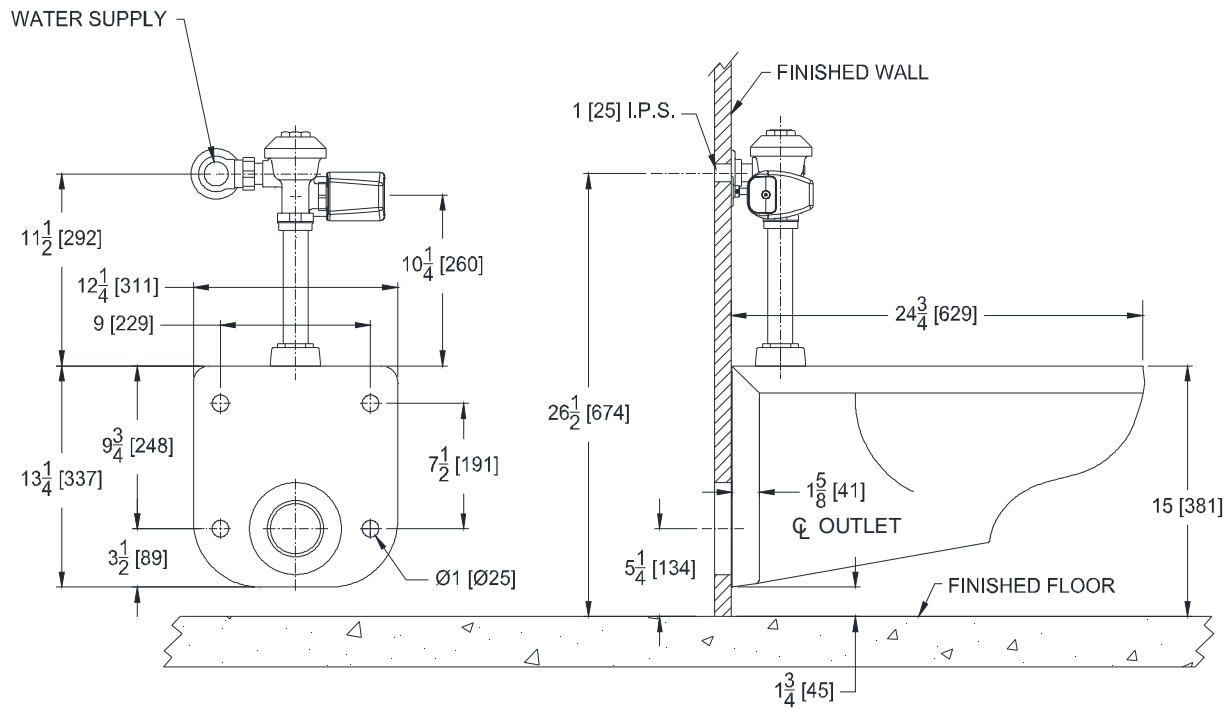
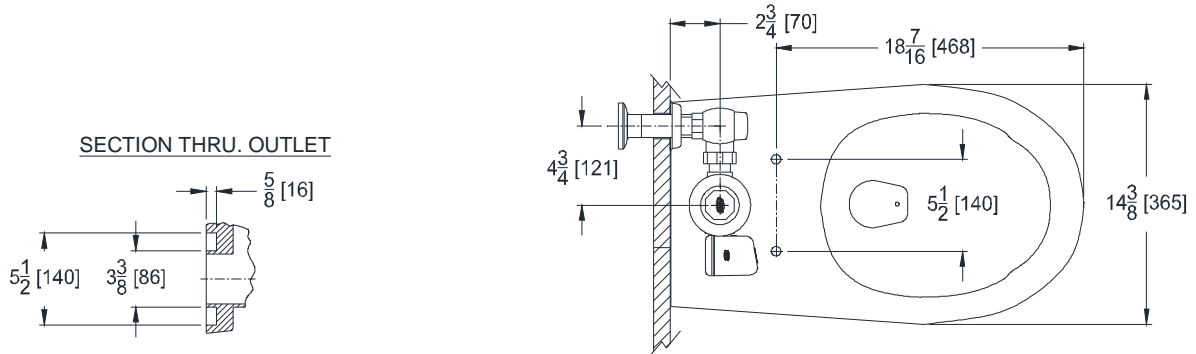
1.28 gpf Elongated Wall Hung EcoVantage®

Battery Powered Sensor Flush Valve Toilet System

TAG \_\_\_\_\_

Rough-in dimensions for Z5615 Series

- Z5615.270.00.00.00 with top spud



Meets the American Disabilities Guidelines and ANSI A117.1 requirements when installed according to these requirements.

Fixture dimensions meet ANSI/ASME standard A112.19.2 and CAN/CSA B45 requirements.

In Canada - Consult local codes and standards.

EcoVantage® is a registered trademark of Zurn Industries

All dimensions and specifications are subject to change without notice.



**Note:** For ADA compliance, top of seat height should be installed at 17"-19" from finished floor.

Zurn Industries, LLC  
5900 Elwin Buchanan Drive, Sanford, NC U.S.A. 27330 · Ph. 1-800-997-3876, Fax 919-775-3541

In Canada | Zurn Industries Limited  
7900 Goreway Drive Unit 10, Brampton, Ontario L6T5W6 · Ph. 905-405-8272, Fax 905-405-1292

[www.zurn.com](http://www.zurn.com)

Rev. -  
Date: 10/26/2017  
C.N. No. SAN007892  
Prod. | Dwg. No. 317198