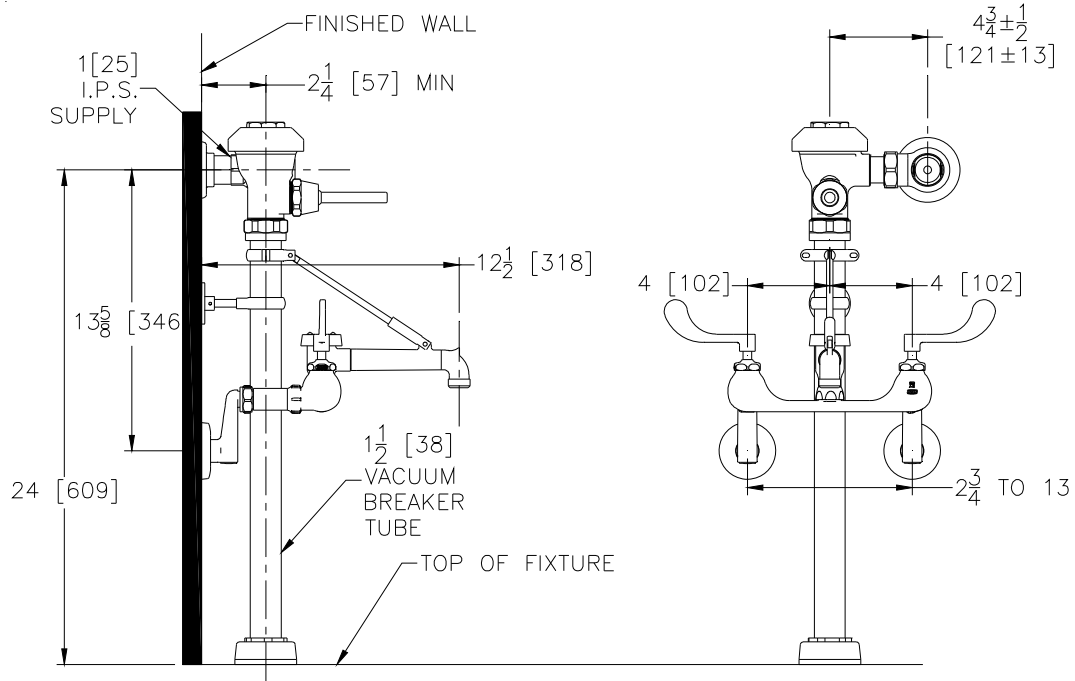


# Z60842AV-H

## Exposed Flush Valve and Service Sink Faucet for Clinical Sink



### Flow Options

- Standard Flush      6.5 Gallons per Flush

### Accessories

- BG      BioCare Handle
- HL      1" [25] Metal Push Button on Front
- HL3      3" [76] Metal Push Button on Front
- YJ      Split Ring Pipe Support
- YK      Solid Ring Pipe Support
- \_\_\_\_\_      Other

Architectural/Engineering Approval

The information contained in this document is subject to change without notice.  
Please contact Zurn for most up to date information.

ZURN INDUSTRIES, LLC. ♦ COMMERCIAL BRASS OPERATION  
5900 ELWIN BUCHANAN DRIVE ♦ SANFORD NC 27330  
PHONE: 1-800-997-3876 ♦ FAX: 919-775-3541  
WWW.ZURN.COM  
IN CANADA: ZURN INDUSTRIES LIMITED  
3544 NASHUA DRIVE ♦ MISSISSAUGA, ONTARIO L4V1L2  
PHONE: 905-405-8272 FAX: 905-405-1292

### ENGINEERING SPECIFICATIONS

Exposed, quiet diaphragm-type, chrome plated flushometer valve with a polished exterior.

- Zurn's AquaVantage® TPE diaphragm
  - Clog Resistant Triple filtered by-pass
  - Chloramine resistant
  - Dual seal
- ADA Compliant Handle
  - Non-hold open and no leak feature
- Z842M4-LS1-2XT Clinical Sink Faucet
  - Polished chrome plated cast brass body
  - Quarter-turn ceramic disc cartridges
  - 2 1/2" long swivel inlets with integral stops
  - 4" Vandal resistant brass wrist blade handles
- Control Stop
  - Internal siphon-guard protection
  - Vandal resistant stop cap
  - Sweat solder kit
  - Cast wall flange with set screw
- Vacuum Breaker
  - High back pressure
  - One piece hex coupling nut
- Internal seals
  - Chloramine resistant
- Adjustable tailpiece
- Spud coupling and flange for top spud connection