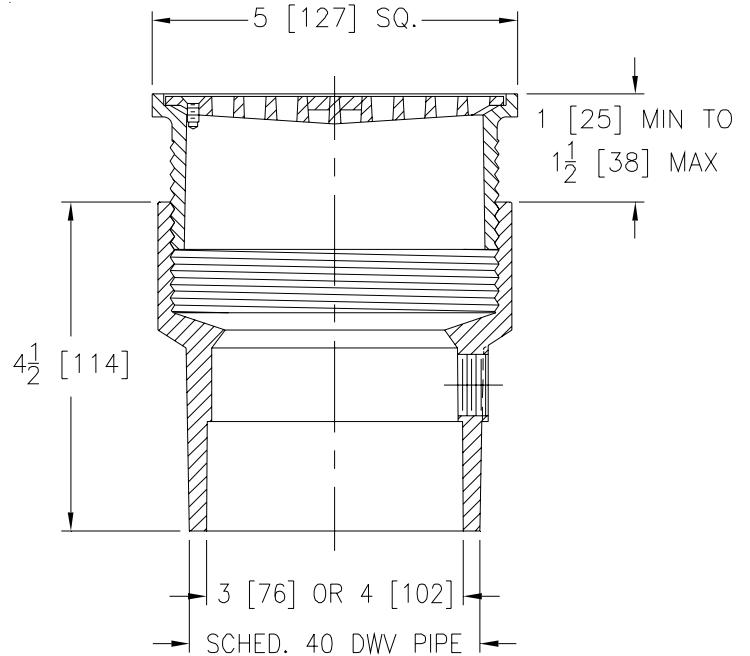


Dimensional Data (inches and [mm]) are Subject to Manufacturing Tolerances and Change Without Notice



Product	'A' Connection	Grate Open Area Sq. In [cm ²]
___ FD2211-PVC-ST	3 x 4 [76 x 102] PVC	9 [229]
___ FD2211-ABS-ST	3 x 4 [76 x 102] ABS	

FD2211-ST 3 X 4 [76 x 102] Adjustable Floor Drain with Square Top

Recommended for finished floor areas. This drain is designed for foot traffic and light-duty applications. It consists of PVC or ABS body with adjustable nickel head and square top which is the preferred pattern for square tile applications. Fits over 3 [76] or inside 4 [102] sch. 40 DWV pipe.

Options:

- ___ -CP Chrome Plated
- ___ -P 1/2 [13] Trap Primer Connection
- ___ -PB Polished Brass
- ___ -VP Vandal Proof

Typical Installation

