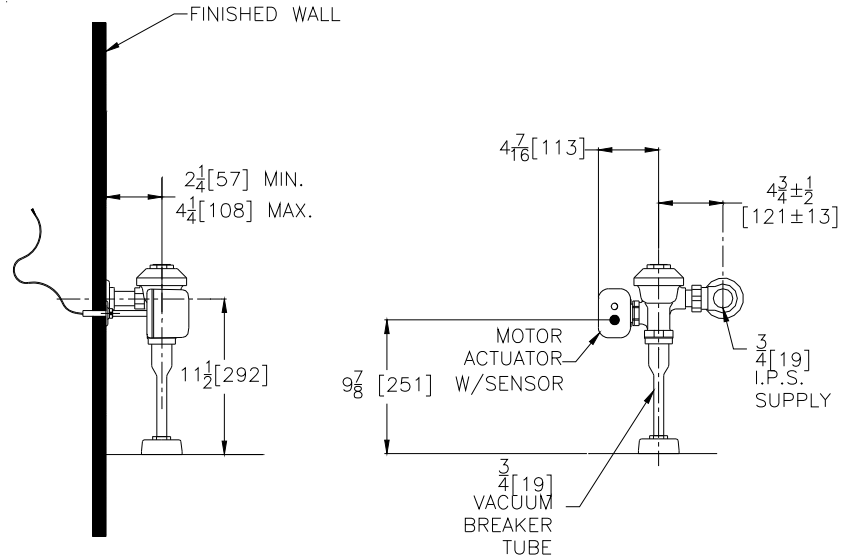




ZEMS6003AV-IS

Exposed Flush Valve for 3/4" Urinals



Flow Options

- ULF* 0.125 gpf Ultra Low Flow
- EWS* 0.5 gpf High Efficiency Flush
- WS1 1.0 gpf Low Consumption Flush
- 1.5 gpf

Suffix Options (Check/Specify Appropriate Options)

- VP Vandal Resistant Stop Screw
- YJ Split Ring Pipe Support
- YK Solid Ring Pipe Support
- _____ Other

Accessories (Order separate as specified)

- P6000-MJ** Mini Junction Box
- P6000-HW6** Hardwire Power Converter (8 valves maximum)
- P6900-ACA-BA** Regulated AC Supply (6 valves maximum)

ENGINEERING SPECIFICATION: ZURN ZEMS6003AV-IS AquaSense® 'AV' Exposed Hardwired Automatic Sensor Flush Valve For 3/4" Urinals- Exposed, quiet diaphragm-type, chrome plated, flushometer valve with a polished exterior. Complete with Zurn's AquaVantage TPE, chloramine resistant, dual seal diaphragm with a clog resistant, triple filtered by-pass. The valve incorporates a motorized actuator, an integral infrared convergence-type proximity sensor and a manual push-button override into an all-metal, polished chrome plated housing. The valve is complete with high back pressure vacuum breaker, one piece hex coupling nut, adjustable tail-piece, spud coupling and flange for top spud connection. Control stop has internal siphon-guard protection, vandal resistant stop cap, sweat solder kit, and a cast wall flange with set screw. Internal seals are made of chloramine resistant materials.

Architectural/Engineering Approval

The information contained in this document is subject to change without notice.

NOTE: MUST USE EITHER ZURN P6000-HW6 HARDWIRE POWER CONVERTER OR P6900-ACA-BA REGULATED PLUG-IN POWER CONVERTER TO ENSURE PROPER OPERATION. USING A POWER CONVERTER OTHER THAN ZURN MAY RESULT IN OPERATION MALFUNCTION OR UNIT FAILURE.



*This product should be used with a WaterSense labeled counterpart with a compatible flush volume to ensure that the entire system meets the requirements for water efficiency and performance.

ZURN INDUSTRIES, LLC. ♦ COMMERCIAL BRASS OPERATION ♦ 5900 ELWIN BUCHANAN DRIVE ♦ SANFORD NC 27330

Phone: 1-800-997-3876 ♦ Fax: 919-775-3541 ♦ World Wide Web: www.zurn.com

In Canada: ZURN INDUSTRIES LIMITED ♦ 7900 Goreway Drive Unit 10 ♦ Brampton, Ontario L6T5W6 ♦ Phone: 905-405-8272 Fax: 905-405-1292