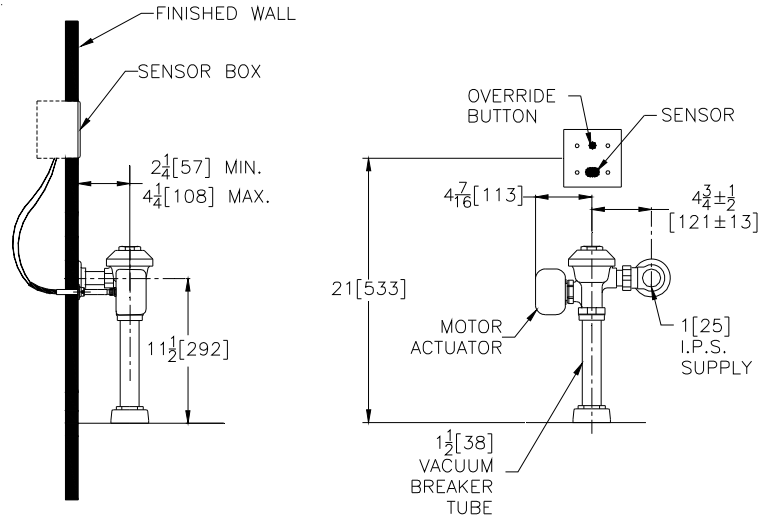


ZEMS6000PL

Hardwired Automatic Sensor Flush Valve for Water Closets



Flow Options

- HET 1.28 gpf High Efficiency Flush
- WS1 1.6 gpf Low Consumption
- WS 3.5 gpf
- FF 4.5 gpf Full Flush

Accessories

- FM12 Floor Mount 12" Rough In
- _____ Other

Power Supply Choices (Sold Separately)

- HW6 Hardwired Power Converter Mini Junction Box
- MJ Mini Junction Box
- PC6 120VAC/6VDC Plug-In Power Converter (up to eight valves)

Electrical box by others (see installation instructions for type and style). Note: Order power converter separate, one power converter operates up to eight valves.

Architectural/Engineering Approval

ZURN INDUSTRIES, LLC. ♦ COMMERCIAL BRASS OPERATION
5900 ELWIN BUCHANAN DRIVE ♦ SANFORD NC 27330
Phone: 1-800-997-3876 ♦ Fax: 919-775-3541
www.zurn.com
In Canada: ZURN INDUSTRIES LIMITED
3544 Nashua Drive ♦ Mississauga, Ontario L4V1L2
Phone: 905-405-8272 Fax: 905-405-1292

ENGINEERING SPECIFICATIONS

Exposed, quiet diaphragm-type, chrome plated flushometer valve with a polished exterior.

- Zurn's AquaFlush® TPE diaphragm
 - Clog Resistant by-pass
 - Chloramine resistant
 - Dual seal
- Proprietary DR resistant low lead brass alloy
- Sensor Module
 - Hardwired
 - 6VDC Motorized Automatic Sensor
 - Override button
 - ADA compliant
- Control Stop
 - Internal siphon-guard protection
 - Sweat solder kit
- Vacuum Breaker
 - High back pressure
 - One piece hex coupling nut
- Internal seals
 - Chloramine resistant
- Adjustable tailpiece
- Spud coupling and flange for back spud connection

NOTE: MUST USE EITHER ZURN P6000-HW6 HARDWIRE POWER CONVERTER OR ZURN P6000-PC6 PLUG-IN POWER CONVERTER TO ENSURE PROPER OPERATION. USING A POWER CONVERTER OTHER THAN ZURN MAY RESULT IN OPERATION MALFUNCTION OR UNIT FAILURE.

The information contained in this document is subject to change without notice.
Please contact Zurn for most up to date information.