



# GLASS FILLER

## Z83500-XL

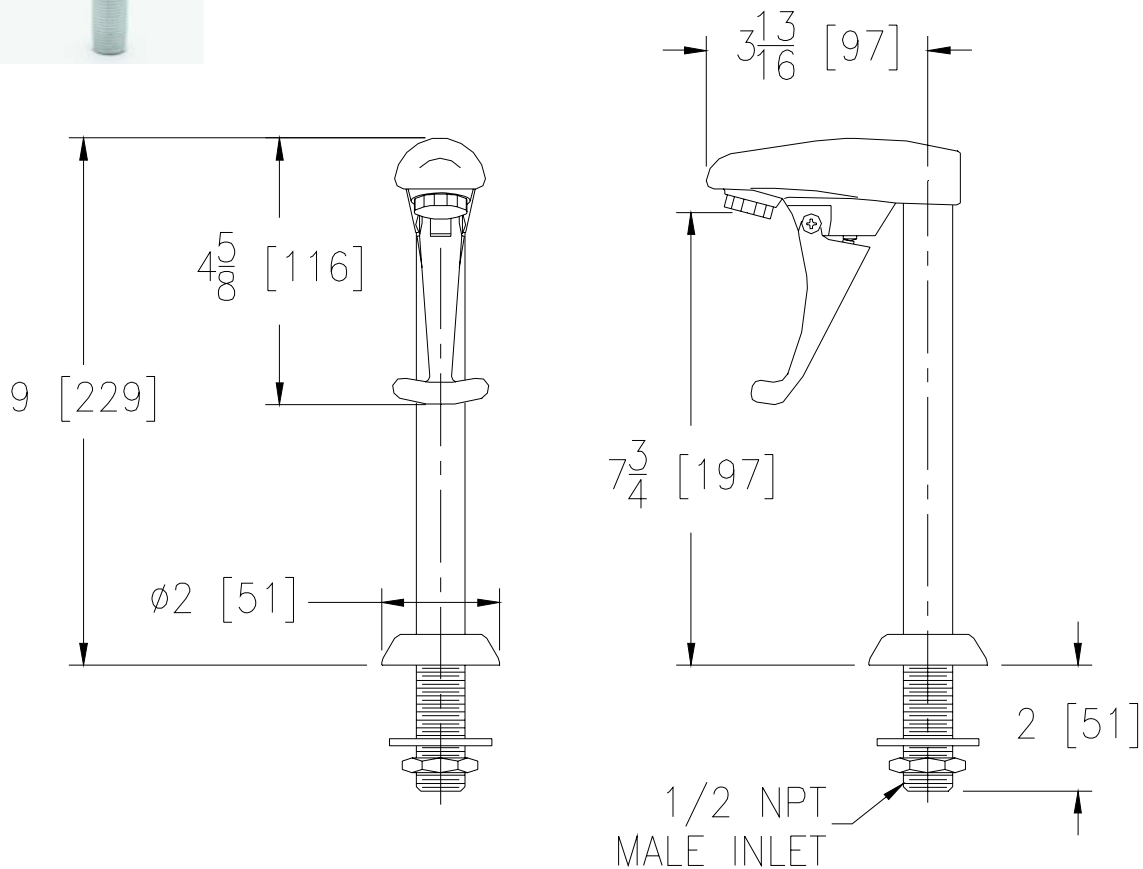
TAG \_\_\_\_\_



### Engineering Specification: Zurn AquaSpec® Z83500-XL

Polished chrome pedestal mounted 7-3/4"[197mm] high glass filler. Unit furnished with an escutcheon, a volume regulator, a Lexan push-back arm, and mounting hardware.

Zurn Lead Compliant\* "XL" products are a line of durable, high quality brass faucets and fixtures that are designed and manufactured to comply with state laws and local codes that mandate lead content levels. Zurn "XL" products are manufactured with \*not more than 0.25% lead content when used with respect to wetted surfaces of pipes and pipe fittings, plumbing fitting and fixtures: California Health & Safety Code § 116875; Vermont 9 VCA § 2470h.



Note: All dimensions are for reference only. Do not use for pre-plumbing.

### OPTIONAL ACCESSORIES

Suffix	Description
___ -D13	13"[320mm] Height
___ -WM	Wall Mount

ZURN INDUSTRIES, LLC ♦ COMMERCIAL BRASS OPERATION ♦ 2640 SOUTH WORK STREET ♦ FALCONER NY 14733

Phone: 1-800-997-3876 ♦ Fax: 1-919-775-3541 ♦ www.zurn.com

In Canada: ZURN INDUSTRIES LIMITED ♦ 3544 Nashua Drive ♦ Mississauga, Ontario L4V1L2 ♦ Phone: 905/405-8272 Fax: 905/405-1292

Rev. A Date: 9/7/11

C.N. No.128101

Dwg. No. 301401

Product No. Z83500-XL