



Z5560

1.6 gpf Pressure Assist, ADA Height, TAG _____
Elongated, Two-Piece Toilet



Z5560

Z5560 Series

- 1.6 gpf (gallons per flush)
- Vitreous china
- Pressure assisted tank
- High performance EcoFlush™ technology
- Easy touch handle actuation
- Ultra quiet flush
- Siphon jet flush action
- ADA height
- 2-1/8" fully glazed trapway
- Operating pressure range 20-125 psi
- Elongated front rim
- Chrome plated handle
- Large water surface area
- Includes bolt caps
- Shipping weight: 92 lbs.

Suffix Options:

- ___ -RH Vitreous China right-hand lever tank
- ___ -VL Vitreous China lid with vandal-proof lockdown.

Please Note: HET 1.0 gpf and HET dual flush 1.6 gpf/ 1.0 gpf pressure assist tanks also available. See Models Z5561 and Z5562.

Recommended Trim:

- Z5972-COMB**
Closet bolt & wax ring kit.
- Z5958SS-EL**
Elongated, white, closed front toilet seat with cover & stainless steel check hinge.
- Z8800-CR**
Standard stop with flexible closet riser.

Optional Trim:

- Z5975-FLO-JR**
PVC Flo-Bowl Jr. closet flange kit

Engineering Specification:

- Z5560** Vitreous china, 1.6 gpf [6 Lpf], High Performance Pressure Assisted, Elongated, ADA Height Two Piece Toilet with 12" Rough-in.

These dimensions and specifications are subject to change without notice.

Fixture dimensions meet ANSI/ASME standard A112.19.2-2003 and CAN/CSA B45 requirements.

Meets the American Disabilities Act Guidelines and ANSI A117.1 requirements when installed so that the top of seat is 17"-19" from finished floor.



This space is for Architectural/engineering Approval

See Zurn One Systems for suggested packages.

ZURN INDUSTRIES, LLC. ♦ COMMERCIAL BRASS OPERATION ♦ 5900 ELWIN BUCHANAN DRIVE ♦ SANFORD NC 27330

Phone: 1-800-997-3876 ♦ Fax: 919-775-3541 ♦ World Wide Web: www.zurn.com

In Canada: ZURN INDUSTRIES LIMITED ♦ 3544 Nashua Drive ♦ Mississauga, Ontario L4V1L2 ♦ Phone: 905-405-8272 Fax: 905-405-1292

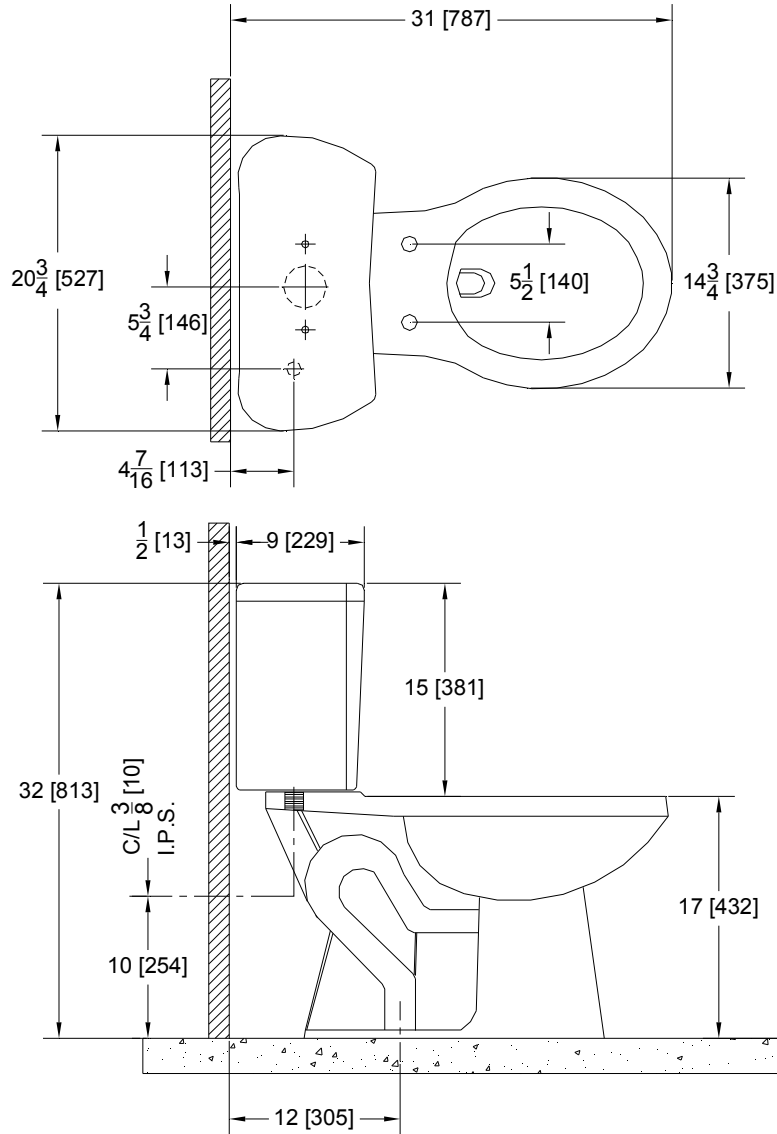


Z5560

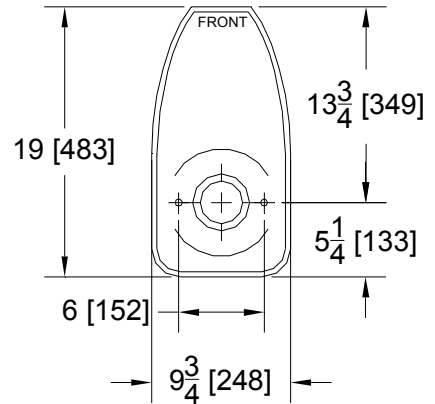
1.6 gpf Pressure Assist, ADA Height,
Elongated, Two-Piece Toilet
Rough-In

TAG _____

Rough-in dimensions for Z5560



FOOTPRINT



These dimensions and specifications are subject to change without notice.

Fixture dimensions meet ANSI/ASME standard A112.19.2-2003 and CAN/CSA B45 requirements.

Meets the American Disabilities Act Guidelines and ANSI A117.1 requirements when installed so that the top of seat is 17"-19" from finished floor.



ZURN INDUSTRIES, LLC. ♦ COMMERCIAL BRASS OPERATION ♦ 5900 ELWIN BUCHANAN DRIVE ♦ SANFORD NC 27330

Phone: 1-800-997-3876 ♦ Fax: 919-775-3541 ♦ World Wide Web: www.zurn.com

In Canada: ZURN INDUSTRIES LIMITED ♦ 3544 Nashua Drive ♦ Mississauga, Ontario L4V1L2 ♦ Phone: 905-405-8272 Fax: 905-405-1292

EcoFlush™ is a trademark of Zurn Industries, LLC.

Rev. F
Dwg. No. 80604

Date: 10/18/12
Product No. Z5560