



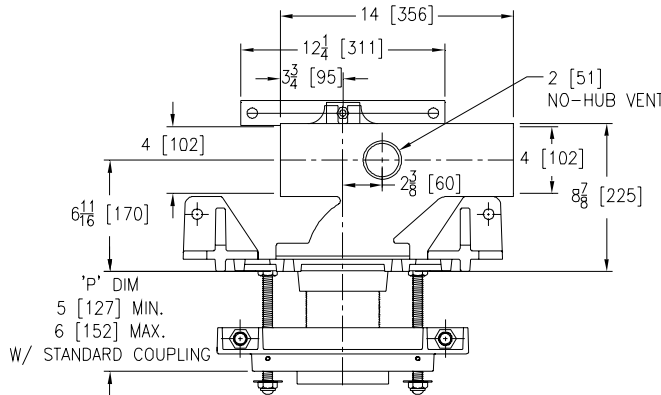
# Z1203-N-XB

## BARIATRIC CARRIER - 1000 LB. [454 KG.] ADJUSTABLE HORIZONTAL SIPHON JET NO-HUB

SPECIFICATION SHEET

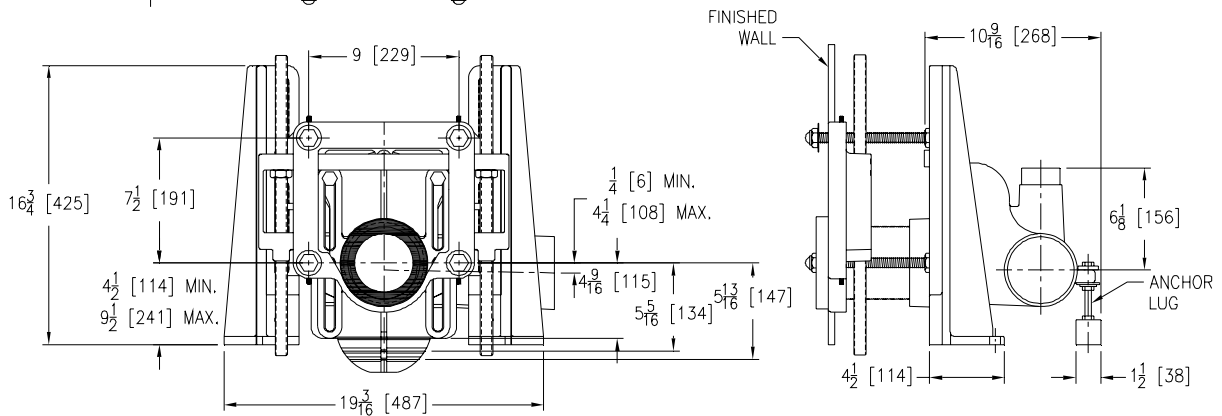
TAG \_\_\_\_\_

Dimensional Data (inches and [ mm ]) are Subject to Manufacturing Tolerances and Change Without Notice



Product Number	Approx. Wt. Lbs. [kg]
Z1203-NL4-XB	107 [46]
Z1203-NR4-XB	

**PATENT PENDING**



\* PULL-OUT FORCES ARE CALCULATED VALUES, WITH STANDARD COUPLING ASSEMBLY. NO SAFETY FACTOR HAS BEEN APPLIED.

### ENGINEERING SPECIFICATION: ZURN Z1203-N(-)-XB

Adjustable, horizontal siphon jet water closet "Rigid System" with 4 [102] No-Hub connections, rated for a 1000-Lb. [454 kg] maximum static load. Complete with Dura-Coated cast iron right hand or left hand main fitting, with 2 [51] vent, adjustable gasketed faceplate, floor mounted foot supports, stud support / finishing frame, corrosion resistant adjustable cast iron coupling, fixture bolts, trim, and stud protectors. Complete with rear anchor tie down and bonded "Neo-Seal" gasket. Carrier complies with all applicable requirements of ASME A112.6.1M up to a 1000-Lb. [454-kg.] load.

### OPTIONS (Check/specify appropriate options)

- Z1203-NR4-XB 4 [102] No-Hub Right Hand Inlet with Flow to Left  
 Z1203-NL4-XB 4 [102] No-Hub Left Hand Inlet with Flow to Right

### PREFIXES

- Z D.C.C.I. System with Zurn "ZZ" Adjustable Coupling\*  
 ZQ D.C.C.I. System with NPT Faceplate, Non-Adjustable Coupling

### SUFFIXES

- |                              |   |                              |  |
|------------------------------|---|------------------------------|--|
| <input type="checkbox"/> -BC | Back Cleanout                                 | <input type="checkbox"/> -29 | Mechanical Test Cap Assembly                 |
| <input type="checkbox"/> -CV | Closed Vent (Use only when local codes allow) | <input type="checkbox"/> -50 | Flush Valve Supply Support for Water Closets |
| <input type="checkbox"/> -G  | Galvanized Cast Iron                          | <input type="checkbox"/> -61 | "ZZ" Coupling Wrench                         |
| <input type="checkbox"/> -T  | Threaded Connection                           |                              |  |
| <input type="checkbox"/> -VP | Vandal-Proof Trim                             |                              |  |

Note:

- Feet and rear anchor bolted to floor using anchors capable of achieving the specified pull-out force.
- Min. 'P' Dim. Obtainable = 2 [51]
- Back anchor foot mandatory for secure installation.
- Floor anchors each must be able to withstand a pull-out force of 750 lbs. [340 kg.]

\*REGULARLY FURNISHED UNLESS OTHERWISE SPECIFIED

REV. C DATE: 02/24/11 C.N. NO. 120913

DWG. NO. 82874 PRODUCT NO. Z1203-N-XB

ZURN INDUSTRIES, LLC. ♦ SPECIFICATION DRAINAGE OPERATION ♦ 1801 Pittsburgh Ave. ♦ Erie, PA 16514

Phone: 814/455-0921 ♦ Fax: 814/454-7929 ♦ World Wide Web: www.zurn.com

In Canada: ZURN INDUSTRIES LIMITED ♦ 3544 Nashua Drive ♦ Mississauga, Ontario L4V1L2 ♦ Phone: 905/405-8272 Fax: 905/405-1292