

Product information presented here reflects conditions at time of publication. Consult factory regarding discrepancies or inconsistencies.

MAIL TO: P.O. BOX 16347 • Louisville, KY 40256-0347
 SHIP TO: 3649 Cane Run Road • Louisville, KY 40211-1961
 (502) 778-2731 • 1 (800) 928-PUMP • FAX (502) 774-3624

visit our web site:
www.zoeller.com

REPLACEMENT PARTS LIST FOR MODELS:

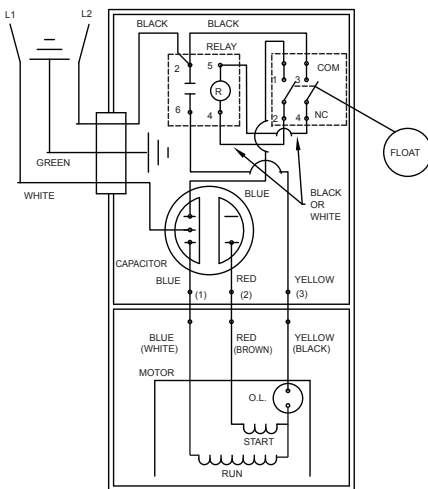
M292 AUTOMATIC 115V/1PH
N292 NONAUTOMATIC 115V/1PH
BA292 NONAUTOMATIC 575V / 3PH

Consult factory for all other Models

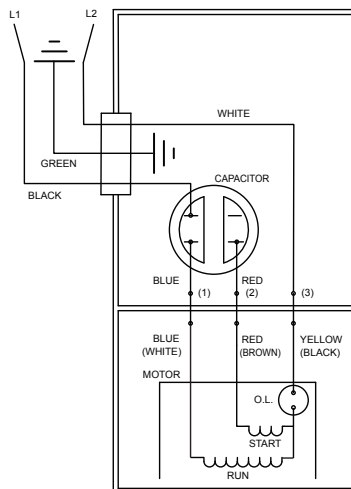
TO ORDER REPLACEMENT PARTS:

PLEASE FURNISH THE
 FOLLOWING INFORMATION:

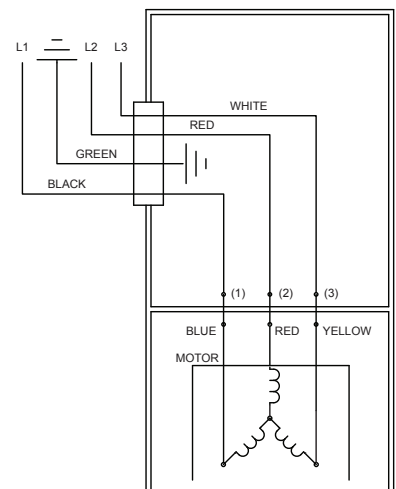
- Model Number.
- Part Number of Pump.
 (If manufactured prior to June 1988, give 2 letter date code following Model No.)
- Part Number and Description of part.



004622
 WIRING DIAGRAM FOR MODELS
 "M292" All Revisions
 1/87 (MT) thru Current



002397
 WIRING DIAGRAM FOR MODELS
 "N294" All Revisions
 1/87 (MT) thru Current



006848
 WIRING DIAGRAM FOR MODELS
 "BA292" All Revisions

REPLACEMENT PARTS LIST FOR MODELS "M292"

See back page for "M292" illustration.

REF. NO.	DESCRIPTION	QTY	NOTES	MODELS: M292-A				
				M292-B	M292-C	M292-D	M292-E	
				1/87 MT thru 8/90	9/90 thru 10/98	11/98 thru 4/03	5/03 thru 11/09	12/09 thru Current
1	Case, Sw.& Cord	1	2	004746	006292	006292	014155	014155
2	• Guard	1		001023	001023	001023	001023	001023
3	Case-Mach	1	2	004614	004633	004633	014154	014154
4	• Arm & Seal Asm	1		004745	004745	004745	004745	004745
5	• Gasket, Case/Cover	1		001011	001011	001011	001011	001011
6	Switch Asm	1		004744	004744	004744	004744	004744
7	• Wire Pkg (5) Wires	1		004749	004749	004749	004749	004749
8	Relay	1		217092	217092	217092	217092	217092
9	Capacitor & Clamp Asm	1		003575	003575	003575	003575	003575
10	Float, Plastic	1		094039	094039	094039	094039	094039
11	Guide Asm, Flt Rod	1		001072	001072	001072	001072	001072
12	Rod Asm, Flt	1		001043	001043	001043	001043	150438
13	Housing, Mtr-& Str	1	1,3	002497	002497	002497	002497	150580
14	Bearing, Sleeve	1		001012	001012	001012	001012	NA
	Bearing, Radial			NA	NA	NA	NA	006703
15	• Handle	1		217069	217069	217069	217069	217069
16	Cord, Term & Seal Asm	1	2	002507	006290	006290	014168	014168
17	Clamp, Strain Relief	1	2	001770	N/A	N/A	013764	013764
18	• Seal, Cord-Asm & Strain Relief	1	2	094032	004375	004375	015634	015634
19	• Plug, Test-White	2		034090	034090	034090	034090	034090
20	• Seal, Thru Wall Term	3		003402	003402	003402	003402	003402
21	Rotor & Brg	1		002701	002701	002701	002701	150574
22	• Bearing, Radial	1	3	001013	001013	001013	001013	010069
23	• Seal, Mtr Hsg	1		001014	001014	001014	001014	001014
24	• Oil, Dielectric	1		002383	002383	002383	003168	011066
25	Adapter-Mach	1		001003	001003	001003	001003	001003
26	• Seal, Shaft	1		002430	002430	002430	002430	002430
27	Flange Pkg 2" Npt	1		10-1305	10-1305	10-1305	10-1305	10-1305
	Flange Pkg 3" Npt	1		10-1306	10-1306	10-1306	10-1306	10-1306
28	Impeller "292"	1		005188	005188	005188	005188	005188
29	Housing,Pump-Mach	1		001005	001005	001005	001005	001005
30	• Screw, #10-24 X.375 RHM-SI SS	2		001883	001883	001883	001883	001883
31	• Screw, #6-32x.25RHM SI Tc Stlgr	4		001877	001877	001877	001877	001877
32	• Screw, .25-20 X .75 HHm-SS	4		001916	001916	001916	001916	001916
33	• Screw, #6-32x.438 Rhstlp Stlzi	2		004644	004644	004644	004644	004644
34	• Screw, .5-13 X 2 HH Cap-SS	2		001909	001909	001909	001909	001909
35	• Washer, SS-1.25"Odx.562"ldx.078	2		002115	002115	002115	002115	002115
36	• Screw, .313-18 X 1" HH Cap-SS	4		002608	002608	002608	002608	002608
37	• Screw, .25-20x1" HHm-SS	4		007790	007790	007790	007790	007790
□	Rebuild Kit			004747	004747	004747	016103	019647

• Items included in Rebuild Kit.

□ Not shown in illustration.

DATE CODE OF MANUFACTURE FROM 12/70 to 12/88				
1st LETTER MONTH		2nd LETTER YEAR		
M ---JAN.	T ---JULY	A ---1971	G ---1977	O ---1983
N ---FEB.	U ---AUG.	B ---1972	H ---1978	P ---1984
O ---MARCH	V ---SEPT.	C ---1973	I ---1979	R ---1985
P ---APRIL	W ---OCT.	D ---1974	J ---1980	S ---1986
R ---MAY	X ---NOV.	E ---1975	M ---1981	T ---1987
S ---JUNE	Y ---DEC.	F ---1976	N ---1982	U ---1988

NOTE: Four digit (MMYY) date of mfg. used after June, 1988.
IE: MMYY = 0192 = Jan. 1992

NOTES:

- 1) Mtr. Hsg., Brg., Stator & Term. (Item 13) is preassembled at the factory and must be replaced as a unit. Stator is permanently attached to the Motor Housing. Plug (Item 19); Seal, Thru Wall Term. (Item 20) and Bearing - Upper (Item 14) are replaceable.
- 2) If an "X" follows Model No., or Date Mfg. on ID tag, consult factory for ordering of this part.
- 3) When ordering specify either General Electric or Emmerson motor.
- 4) See FM0160 Parts Price Sheet for listing of parts prices.
- 5) "NA" indicates, not applicable.

REPLACEMENT PARTS LIST FOR MODELS "N292" AND "BA292"

See back page for "N292" and "BA292" illustration.

REF. NO.	DESCRIPTION	QTY	NOTES	MODELS: N292-A					3/10 thru Current
				1/87 MT thru 8/90	9/90 thru 10/98	11/98 thru 4/03	11/09 thru 02/10	12/09 thru Current	
1	Handle	1		217069	217069	217069	217069	217069	217069
2	Cover & Cord	1	2	002499	006293	006293	014158	014158	002963
3	Cover-Mach	1	2	001077	004372	004372	014150	014150	001077
4	• Gasket, Case/Cover	1		001011	001011	001011	001011	001011	001011
5	• Wire Pkg (5) Wires	1		004749	004749	004749	004749	004749	N/A
6	Capacitor & Clamp Asm	1		003575	003575	003575	003575	003575	N/A
7	Housing, Mtr-& Str	1	1,5	002497	002497	002497	002497	150580	150580
8	Bearing, Sleeve	1		001012	001012	001012	001012	NA	NA
	Bearing, Radial	1		NA	NA	NA	NA	006703	006703
9	Cord Term & Seal Asm	1	2	002508	006291	006291	014169	014169	005131
10	Clamp, Strain Relief	1	2	001770	NA	NA	013764	013764	001770
11	• Seal, Cord-Asm & Strain Relief	1	2	094032	004375	004375	015634	015634	011656
12	• Plug, Test-White	2		034090	034090	034090	034090	034090	034090
13	• Seal, Thru Wall Term	3		003402	003402	003402	003402	003402	003402
14	Rotor & Brg	1	5	002701	002701	002701	002701	150574	150574
15	• Bearing, Radial	1		001013	001013	001013	001013	010069	010069
16	• Seal, Mtr Hsg	1		001014	001014	001014	001014	001014	001014
17	• Oil, Dielectric	1		002383	002383	002383	003168	011066	011066
18	Adapter-Mach	1		001003	001003	001003	001003	001003	001003
19	• Seal, Shaft	1		002430	002430	002430	002430	001003	002430
20	Flange Pkg 2" Npt	1		10-1305	10-1305	10-1305	10-1305	10-1305	10-1305
	Flange Pkg 3" Npt	1		10-1306	10-1306	10-1306	10-1306	10-1306	10-1306
21	Impeller "292"	1		005188	005188	005188	005188	005188	150843
22	Housing, Pump-Mach	1		001005	001005	001005	001005	001005	001005
23	• Screw, #6-32x.25RHM SI Tc Stlgr	3		001877	001877	001877	001877	001877	001877
24	• Screw, #10-24 X.375 RHM-SI SS	1		001883	001883	001883	001883	001883	001883
25	• Screw, .25-20 X .75 HHm-SS	4		001916	001916	001916	001916	001916	001916
26	• Screw, .5-13 X 2 HH Cap-SS	2		001909	001909	001909	001909	001909	001909
27	• Washer, SS-1.25"Odx.562"ldx.078	2		002115	002115	002115	002115	002115	002115
28	• Screw, .313-18 X 1"HH Cap-SS	4		002608	002608	002608	002608	002608	002608
29	• Screw, .25-20X1" HHM-SS	4		007790	007790	007790	007790	007790	007790
□	Rebuild Kit			004747	004747	004747	014193	019648	019648

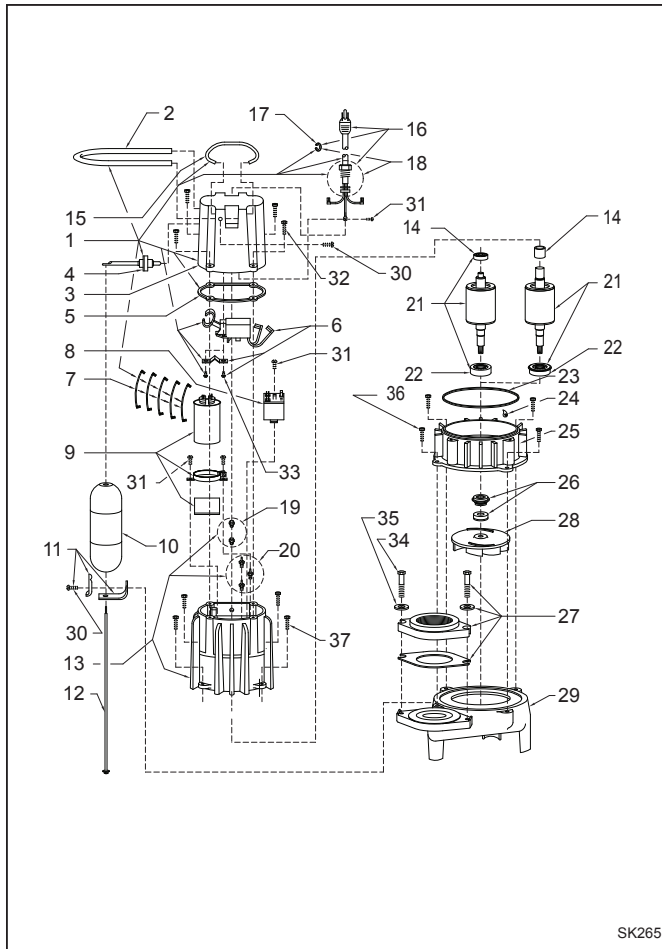
• Items included in Rebuild Kit.

□ Not shown in illustration.

NOTES:

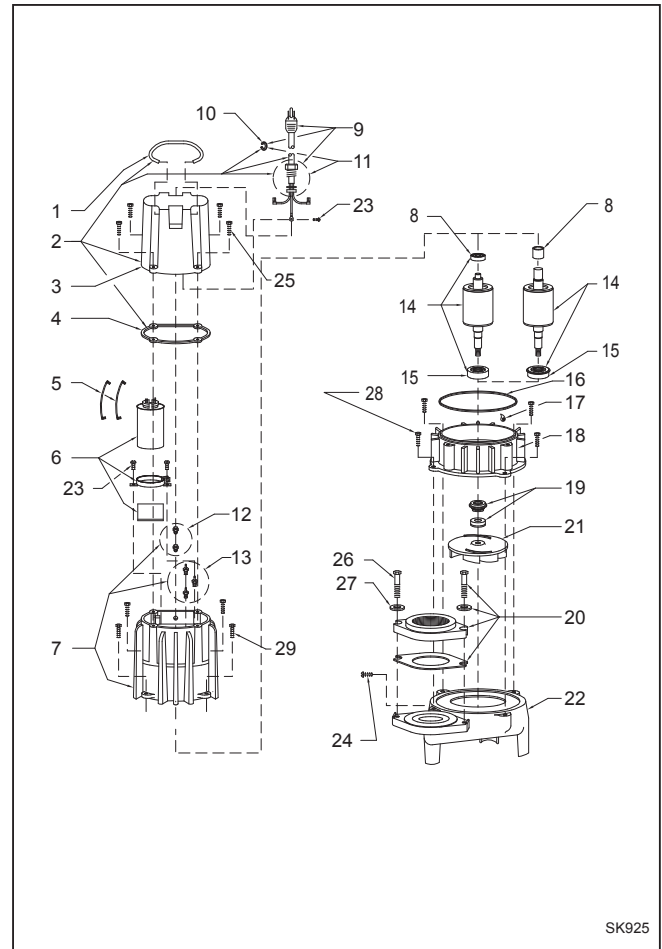
- 1) Mtr. Hsg., Brg., Stator & Term. (Item 7) is preassembled at the factory and must be replaced as a unit. Stator is permanently attached to the Motor Housing. Plug (Item 12); Seal, Thru Wall Term. (Item 13) and Bearing - Upper (Item 8) are replaceable.
- 2) If an "X" follows Model No., or Date Mfg. on ID tag, consult factory for ordering of this part.
- 3) See FM0160 Parts Price Sheet for listing of parts prices.
- 4) "NA" indicates, not applicable.
- 5) When ordering specify either General Electric or Emmerson motor.

REPLACEMENT PARTS ILLUSTRATION FOR MODEL "M292"



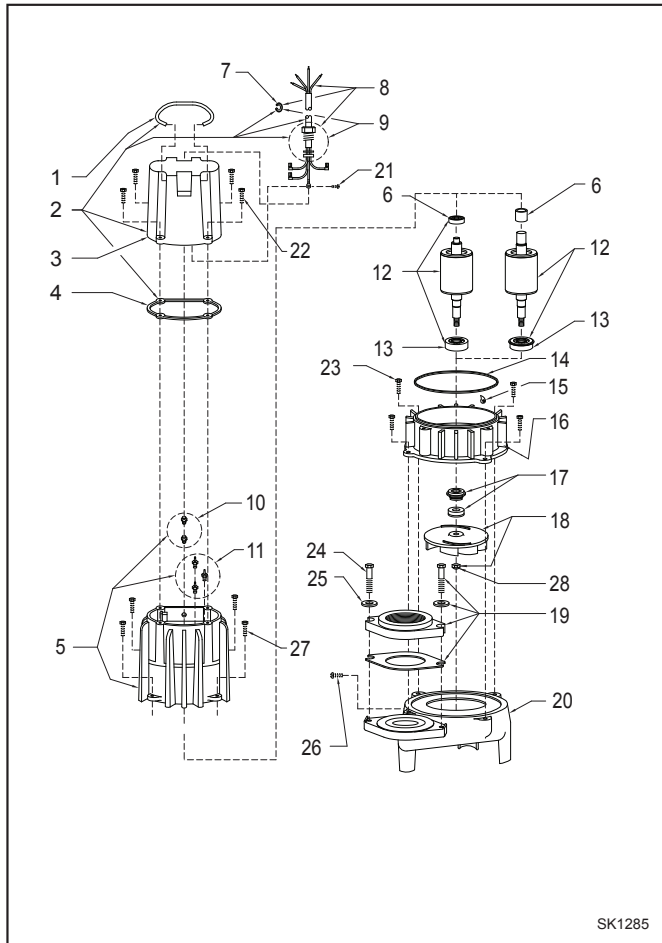
SK265

REPLACEMENT PARTS ILLUSTRATION FOR MODEL "N292"



SK925

REPLACEMENT PARTS ILLUSTRATION FOR MODEL "BA292"



SK1285