

Product information presented here reflects conditions at time of publication. Consult factory regarding discrepancies or inconsistencies.

PUMP COMPANY

Zoeller Family of Water Solutions™

MAIL TO: P.O. BOX 16347 • Louisville, KY 40256-0347
 SHIP TO: 3649 Cane Run Road • Louisville, KY 40211-1961
 (502) 778-2731 • 1 (800) 928-PUMP • FAX (502) 774-3624

visit our web site:
www.zoeller.com

REPLACEMENT PARTS LIST FOR MODELS:

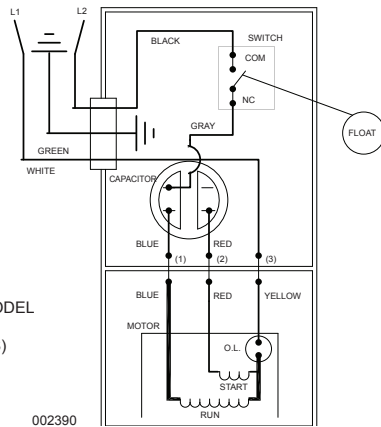
- H282 AUTOMATIC 200V/1PH**
- I282 NONAUTOMATIC 200V/1PH**
- J282 NONAUTOMATIC 200V/3PH**
- F282 NONAUTOMATIC 230V/3PH**
- G282 NONAUTOMATIC 460V/3PH**
- BA282 NONAUTOMATIC 575V/3PH**

Consult factory for all other models

TO ORDER REPLACEMENT PARTS:

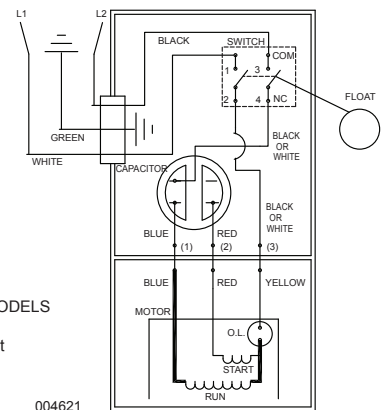
PLEASE FURNISH THE FOLLOWING INFORMATION:

- Model Number.
- Part Number of Pump.
 (If manufactured prior to June 1988, give 2 letter date code following model number.)
- Part Number and Description of part.



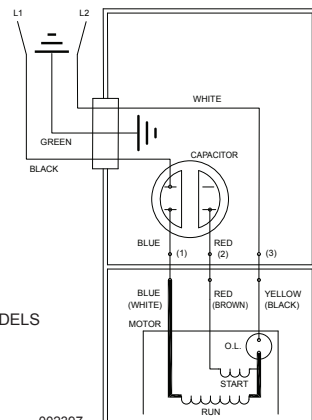
WIRING DIAGRAM FOR MODEL
 "H282-A"
 11/81 (XM) thru 8/86 (US)

002390



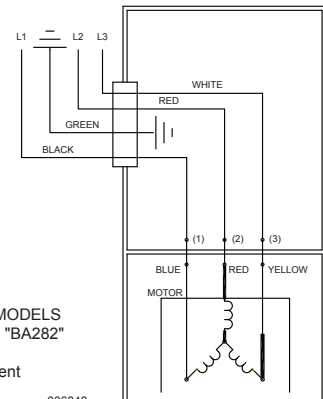
WIRING DIAGRAM FOR MODELS
 "H282-B, C, and D"
 9/86 (VS) thru Current

004621



WIRING DIAGRAM FOR MODELS
 "I282" All Revisions
 11/81 (XM) thru Current

002397



WIRING DIAGRAM FOR MODELS
 "F282", "J282", "G282" and "BA282"
 All Revisions
 11/81 (XM) thru Current

006848

REPLACEMENT PARTS LIST FOR MODEL "H282"

See page 6 for illustration.

REF. NO.	DESCRIPTION	QTY	NOTES	MODEL: H282-A			
				11/81(XM) thru 8/86 (US)	H282-B 9/86 (VS) thru 12/92	H282-C 1/93 thru 5/10	H282-D 6/10 thru Current
1	Case Switch & Cord 200V/1Ph "282"	1	2,4	006932	006932	006932	006932
2	• Guard	1		001023	001023	001023	001023
3	Case-Mach	1	2,4	004614	004614	004614	004614
4	• Arm & Seal Asm	1	2	002379	004745	004745	004745
5	• Gasket, Case/Cover	1		001011	001011	001011	001011
6	Switch Asm	1	2	002380	004755	004755	004755
7	• Wire Pkg	1		003165	004756	004756	004756
8	Relay 200V/1Ph G1 (&G5)	0		NA	NA	NA	NA
9	Capacitor & Clamp Asm/20uf 370V	1		002381	002381	002381	002381
10	Float, Plastic	1		094039	094039	094039	094039
11	Guide Asm, Flt Rod	1		094048	094048	094048	094048
12	Rod Asm, Flt	1		001043	001043	001043	150438
13	Housing, Mtr & Str 200V/1Ph/.5HP GE	1	1,3,6	007601	007601	007601	150923
	Housing, Mtr & Str 200V/1Ph/.5HP EMD	1	1,3,6	150247	150247	007602	NA
14	Bearing, Sleeve	1		001012	001012	001012	NA
	• Bearing, Radial			NA	NA	NA	006703
15	• Handle	1		217069	217069	217069	217069
16	Cord Term & Seal	1	2,4	006929	006930	006930	006930
17	• Clamp, Strain Relief	1	4	001770	001770	001770	001770
18	• Seal, Cord-Asm & Strain Relief	1	4	094032	094032	094032	094032
19	• Plug, Test-White	2		034090	034090	034090	034090
20	• Seal, Thru Wall Term	3		003402	003402	003402	003402
21	Rotor & Brg 115/230V "282" GE	1	6	003167	003167	007978	150874
	Rotor & Brg 115/230V "282" EMD			005540	005540	007979	NA
22	• Bearing, Radial	1		094106	094106	001013	010069
23	• Seal, Mtr Hsg	1		001014	001014	001014	001014
24	• Oil, Dielectric	1		003168	003168	003168	011066
25	Adapter-Mach "280"	1		002357	002357	001003	001003
26	• Seal, Shaft-Asm	1		002496	002496	002430	002430
27	Flange Pkg 2" NPT (Use 10-1305)	1		10-1305	10-1305	10-1305	10-1305
	Flange Pkg 3" NPT (Use 10-1306)			10-1306	10-1306	10-1306	10-1306
28	Impeller "282"	1		002998	002998	002998	002998
29	Housing, Pump-Mach	1		217012	217012	217012	217012
30	• Screw, #10-24 X.375 RHM-SL SS	2		001883	001883	001883	001883
31	• Screw, #6-32x.25 RHM SI Tc Stlgr	6		001877	001877	001877	001877
32	• Screw, .25-20x.75 HHm-SS	4		001916	001916	001916	001916
33	• Screw, #6-32x.438 Rhsitp "1" Sttzi	2		001877	004644	004644	004644
34	• Screw, .5-13 X 2 HH Cap-SS	2		001909	001909	001909	001909
35	• Washer, Flat SS - 1/2D Standard	2		002115	002115	002115	002115
36	• Screw, .313-18 X 1" HH Cap-SS	4		002608	002608	002608	002608
37	• Screw, .25-20 X 1" HHm-SS	4		007790	007790	007790	007790
▣	Rebuild Kit "280"	1		004758	004758	007980	019647

• Items included in Rebuild Kit.

▣ Not shown in illustration.

NOTES:

- 1) Motor housing, bearing, stator & terminal are preassembled at the factory and must be replaced as a unit. Stator is permanently attached to motor housing. Plug, seal, thru wall terminal and upper bearing are replaceable.
- 2) When ordering these parts, customer must identify if switch is a General Electric switch.
- 3) If an "X" follows Model No. or Date Mfg. on brass ID tag, consult factory for ordering of this part.
- 4) See FM0160 Parts Price Sheet for listing of parts prices.
- 5) "N/A" indicates, not applicable.
- 6) When ordering motor housing, bearing, stator and term. or rotor, specify either GE or Emerson motor. GE motor can be identified by (4) holes spaced at 90° around the outside diameter of the stator. Emerson motor can be identified by (4) flat edges spaced at 90° around the outside diameter of the stator.

REPLACEMENT PARTS LIST FOR MODEL "I282"

See page 7 for illustration.

REF. NO.	DESCRIPTION	QTY	NOTES	MODEL: I282-A			
				11/81(XM) thru 8/86 (US)	I282-B 9/86 (VS) thru 12/92	I282-C 1/93 thru 5/10	I282-D 6/10 thru Current
1	Cover & Cordage 200V/1Ph "282"	1	3	007073	007073	007073	007073
2	Cover-Mach Std Cd	1	3	001077	001077	001077	001077
3	• Gasket, Case/Cover	1		001011	001011	001011	001011
4	• Wire Pkg	1		003165	004756	004756	004756
5	Capacitor & Clamp Asm/20uf 370V	1		002381	002381	002381	002381
6	Housing, Mtr & Str 200V/1Ph/.5HP GE	1	1,2	007601	007601	007601	150923
	Housing, Mtr & Str 200V/1Ph/.5HP EMD	1	1,2	150247	150247	007602	NA
7	Bearing, Sleeve	1		001012	001012	001012	NA
	• Bearing, Radial			NA	NA	NA	006703
8	• Handle	1		217069	217069	217069	217069
9	Cord Term & Seal	1	3	007071	007071	007071	007071
10	• Clamp, Strain Relief	1	3	001770	001770	001770	001770
11	• Seal, Cord-Asm & Strain Relief	1	3	094032	094032	094032	094032
12	• Plug, Test-White	2		034090	034090	034090	034090
13	• Seal, Thru Wall Term	3		003402	003402	003402	003402
14	Rotor & Brg 115/230V "282" GE	1	1,2	003167	003167	007978	150874
	Rotor & Brg 115/230V "282" EMD			005540	005540	007979	NA
15	• Bearing, Radial	1		094106	094106	001013	010069
16	• Seal, Mtr Hsg	1		001014	001014	001014	001014
17	• Oil, Dielectric-(44 Oz)	1		003168	003168	003168	011066
18	Adapter-Mach "280"	1		002357	002357	001003	001003
19	• Seal, Shaft-Asm	1		002496	002496	002430	002430
20	Flange Pkg 2" NPT (Use 10-1305)	1		10-1305	10-1305	10-1305	10-1305
	Flange Pkg 3" NPT (Use 10-1306)			10-1306	10-1306	10-1306	10-1306
21	Impeller "282"	1		002998	002998	002998	002998
22	Housing, Pump-Mach	1		217012	217012	217012	217012
23	• Screw, #6-32x.25 RHM SI Tc Stlgr	1		001877	001877	001877	001877
24	• Screw, #10-24x.375 RHM-SL SS	1		001883	001883	001883	001883
25	• Screw, .25-20x.75 HHm-SS	4		001916	001916	001916	001916
26	• Screw, .5-13x2 HH Cap-SS	2		001909	001909	001909	001909
27	• Washer, Flat SS - 1/2D Standard	2		002115	002115	002115	002115
28	• Screw, .313-18x1" HH Cap-SS	4		002608	002608	002608	002608
29	• Screw, .25-20x1" HHm-SS	4		007790	007790	007790	007790
□	Rebuild Kit "280"	1		003170	004758	007980	019648

• Items included in Rebuild Kit.

□ Not shown in illustration.

NOTES:

- 1) Motor housing, bearing, stator & terminal are preassembled at the factory and must be replaced as a unit. Stator is permanently attached to motor housing. Plug, seal, thru wall terminal and upper bearing are replaceable.
- 2) When ordering these parts, customer must identify if switch is a General Electric switch.
- 3) If an "X" follows Model No. or Date Mfg. on brass ID tag, consult factory for ordering of this part.
- 4) See FM0160 Parts Price Sheet for listing of parts prices.
- 5) "N/A" indicates, not applicable.
- 6) When ordering motor housing, bearing, stator and term. or rotor, specify either GE or Emerson motor. GE motor can be identified by (4) holes spaced at 90° around the outside diameter of the stator. Emerson motor can be identified by (4) flat edges spaced at 90° around the outside diameter of the stator.

DATE CODE OF MANUFACTURE FROM 12/70 to 12/88							
1st LETTER MONTH				2nd LETTER YEAR			
M ---JAN.	T ---JULY	A ---1971	G ---1977	O ---1983			
N ---FEB.	U ---AUG.	B ---1972	H ---1978	P ---1984			
O ---MARCH	V ---SEPT.	C ---1973	I ---1979	R ---1985			
P ---APRIL	W ---OCT.	D ---1974	J ---1980	S ---1986			
R ---MAY	X ---NOV.	E ---1975	M ---1981	T ---1987			
S ---JUNE	Y ---DEC.	F ---1976	N ---1982	U ---1988			

NOTE: Four digit (MMYY) date of mfg. used after June, 1988.
IE: MMYY = 0192 = Jan. 1992.

REPLACEMENT PARTS LIST FOR MODEL "J282"

See page 8 for illustration.

REF. NO.	DESCRIPTION	QTY	NOTES	MODEL: J282-A			
				11/81(XM) thru 8/86 (US)	9/86 (VS) thru 12/92	J282-B	J282-C
1	• Handle	1		217069	217069	217069	217069
2	Cover & Cord 3Ph "280"	1	3	003760	003760	003760	003760
3	Cover-Mach Std Cd or 3Ph	1	3	001077	001077	001077	001077
4	• Gasket, Case/Cover	1		001011	001011	001011	001011
5	Housing, Mtr & Str 3Ph/.5HP GE	1	1,2	007662	007662	007662	150950
	Housing, Mtr & Str 3Ph/.5HP EMD	1	1,2	150249	150249	150243	NA
6	Bearing, Sleeve	1		001012	001012	001012	NA
	• Bearing, Radial			NA	NA	NA	006703
7	• Clamp, Strain Relief	1	3	001770	001770	001770	001770
8	Cord Term & Seal	1	3	003761	003761	003761	003761
9	• Seal, Cord-Asm & Strain Relief	1	3	094032	094032	094032	094032
10	• Plug, Test-White	2		034090	034090	034090	034090
11	• Seal, Thru Wall Term	3		003402	003402	003402	003402
12	Rotor & Brg Asm 230/460V/3Ph/.5HP GE	1	2	007062	007062	009495	150875
	Rotor & Brg Asm 230/460V/3Ph/.5HP EMD			007661	007661	009496	NA
13	• Bearing, Radial	1		094106	094106	001013	010069
14	• Seal, Mtr Hsg	1		001014	001014	001014	001014
15	• Oil, Dielectric-(44 Oz)	1		003168	003168	003168	011066
16	Adapter-Mach "280"	1		002357	002357	001003	001003
17	• Seal, Shaft-Asm	1		002496	002496	002430	002430
18	Impeller Asm 3Ph "282"	1		007063	007063	007063	007063
19	Flange Pkg 2" NPT (Use 10-1305)	1		10-1305	10-1305	10-1305	10-1305
	Flange Pkg 3" NPT (Use 10-1306)			10-1306	10-1306	10-1306	10-1306
20	Housing, Pump-Mach	1		217012	217012	217012	217012
21	• Screw, #6-32x.25RHM SI Tc Stlgr	1		001877	001877	001877	001877
22	• Screw, .25-20x.75 HHm-SS	4		001916	001916	001916	001916
23	• Screw, .313-18x1" HH Cap-SS	4		002608	002608	002608	002608
24	• Screw, .5-13x2 HH Cap-SS	2		001909	001909	001909	001909
25	• Washer, Flat SS - 1/2D Standard	2		002115	002115	002115	002115
26	• Screw, #10-24x.375 RHM-SL SS	1		001883	001883	001883	001883
27	• Screw, .25-20x1" HHm-SS	4		007790	007790	007790	007790
28	• Screw, Acorn	1		004351	004351	004351	004351
▣	Rebuild Kit "280"	1		003170	004758	010077	019648

• Items included in Rebuild Kit.

▣ Not shown in illustration.

NOTES:

- 1) Motor housing, bearing, stator & terminal are preassembled at the factory and must be replaced as a unit. Stator is permanently attached to motor housing. Plug, seal, thru wall terminal and upper bearing are replaceable.
- 2) When ordering these parts, customer must identify if switch is a General Electric switch.
- 3) If an "X" follows Model No. or Date Mfg. on brass ID tag, consult factory for ordering of this part.
- 4) See FM0160 Parts Price Sheet for listing of parts prices.
- 5) "N/A" indicates, not applicable.
- 6) When ordering motor housing, bearing, stator and term. or rotor, specify either GE or Emerson motor. GE motor can be identified by (4) holes spaced at 90° around the outside diameter of the stator. Emerson motor can be identified by (4) flat edges spaced at 90° around the outside diameter of the stator.

REPLACEMENT PARTS LIST FOR MODELS "F282", "G282" & "BA282"

See page 8 for illustration.

REF. NO.	DESCRIPTION	QTY	NOTES	MODEL: F282-A F282-B F282-C F282-D G282-A G282-B G282-C G282-D BA282-A BA282-B										
				11/81(XM) thru 8/86 (US)	9/86 (VS) thru 12/92	1/93 thru 5/10	6/10 thru Current	11/81(XM) thru 8/86 (US)	9/86 (VS) thru 12/92	1/93 thru 5/10	6/10 thru Current	3/11 thru 5/10	6/10 thru Current	
1	• Handle	1		217069	217069	217069	217069	217069	217069	217069	217069	217069	217069	217069
2	Cover & Cord 3Ph "280"	1	3	003760	003760	003760	003760	003760	003760	003760	003760	003760	003760	003760
3	Cover-Mach Std Cd or 3Ph	1	3	001077	001077	001077	001077	001077	001077	001077	001077	001077	001770	001770
4	• Gasket, Case/Cover	1		001011	001011	001011	001011	001011	001011	001011	001011	001011	001011	001011
5	Housing, Mtr & Str 3Ph/.5HP GE	1	1,2	007662	007662	007662	150951	007662	007662	007662	150952	150841	150953	
	Housing, Mtr & Str 3Ph/.5HP EMD			150250	150250	007663	NA	150251	150251	150245	NA	NA	NA	
6	Bearing, Sleeve	1		001012	001012	001012	NA	001012	001012	001012	NA	001012	001012	
	• Bearing, Radial			NA	NA	NA	006703	NA	NA	NA	006703	NA	006703	
7	• Clamp, Strain Relief	1	3	001770	001770	001770	001770	001770	001770	001770	001770	001770	001770	001770
8	Cord Term & Seal	1	3	003761	003761	003761	003761	003761	003761	003761	003761	003761	003761	003761
9	• Seal, Cord-Asm & Strain Relief	1	3	094032	094032	094032	094032	094032	094032	094032	094032	094032	094032	094032
10	• Plug, Test-White	2		034090	034090	034090	034090	034090	034090	034090	034090	034090	034090	034090
11	• Seal, Thru Wall Term	3		003402	003402	003402	003402	003402	003402	003402	003402	003402	003402	003402
12	Rotor & Brg Asm 230/460V/3Ph/.5HP GE	1	2	007062	007062	009495	150875	007062	007062	009495	150875	009495	150875	
	Rotor & Brg Asm 230/460V/3Ph/.5HP EMD			007661	007661	009496	NA	007661	007661	009496	NA	NA	NA	
13	• Bearing, Radial	1		094106	094106	001013	001013	094106	094106	001013	001013	001013	010069	
14	• Seal, Mtr Hsg	1		001014	001014	001014	001014	001014	001014	001014	001014	001014	001014	
15	• Oil, Dielectric	1		003168	003168	003168	011066	003168	003168	003168	011066	003168	011066	
16	Adapter-Mach "280"	1		002357	002357	001003	001003	002357	002357	001003	001003	002357	002357	
17	• Seal, Shaft-Asm	1		002496	002496	002430	002430	002496	002496	002430	002430	002430	002430	
18	Impeller Asm 3Ph "282"	1		007063	007063	007063	007063	007063	007063	007063	007063	007063	007063	
19	Flange Pkg 2" NPT (Use 10-1305)	1		10-1305	10-1305	10-1305	10-1305	10-1305	10-1305	10-1305	10-1305	10-1305	10-1305	
	Flange Pkg 3" NPT (Use 10-1306)			10-1306	10-1306	10-1306	10-1306	10-1306	10-1306	10-1306	10-1306	10-1306	10-1306	
20	Housing, Pump-Mach	1		217012	217012	217012	217012	217012	217012	217012	217012	217012	217012	
21	• Screw, #6-32x.25RHM SI Tc Stlgr	1		001877	001877	001877	001877	001877	001877	001877	001877	001877	001877	
22	• Screw, .25-20x.75 HHm-SS	4		001916	001916	001916	001916	001916	001916	001916	001916	001916	001916	
23	• Screw, .313-18x1" HH Cap-SS	4		002608	002608	002608	002608	002608	002608	002608	002608	002608	002608	
24	• Screw, .5-13x2 HH Cap-SS	2		001909	001909	001909	001909	001909	001909	001909	001909	001909	001909	
25	• Washer, Flat SS - 1/2D Standard	2		002115	002115	002115	002115	002115	002115	002115	002115	002115	002115	
26	• Screw, #10-24x.375 RHM-SL SS	1		001883	001883	001883	001883	001883	001883	001883	001883	001883	001883	
27	• Screw, .25-20x1" HHm-SS	4		007790	007790	007790	007790	007790	007790	007790	007790	007790	007790	
28	• Nut, Acorn	1		004351	004351	004351	004351	004351	004351	004351	004351	004351	004351	
▣	Rebuild Kit "280"	1		003170	004758	010077	019648	003170	004758	003170	019648	010077	019648	

• Items included in Rebuild Kit.

▣ Not shown in illustration.

NOTES:

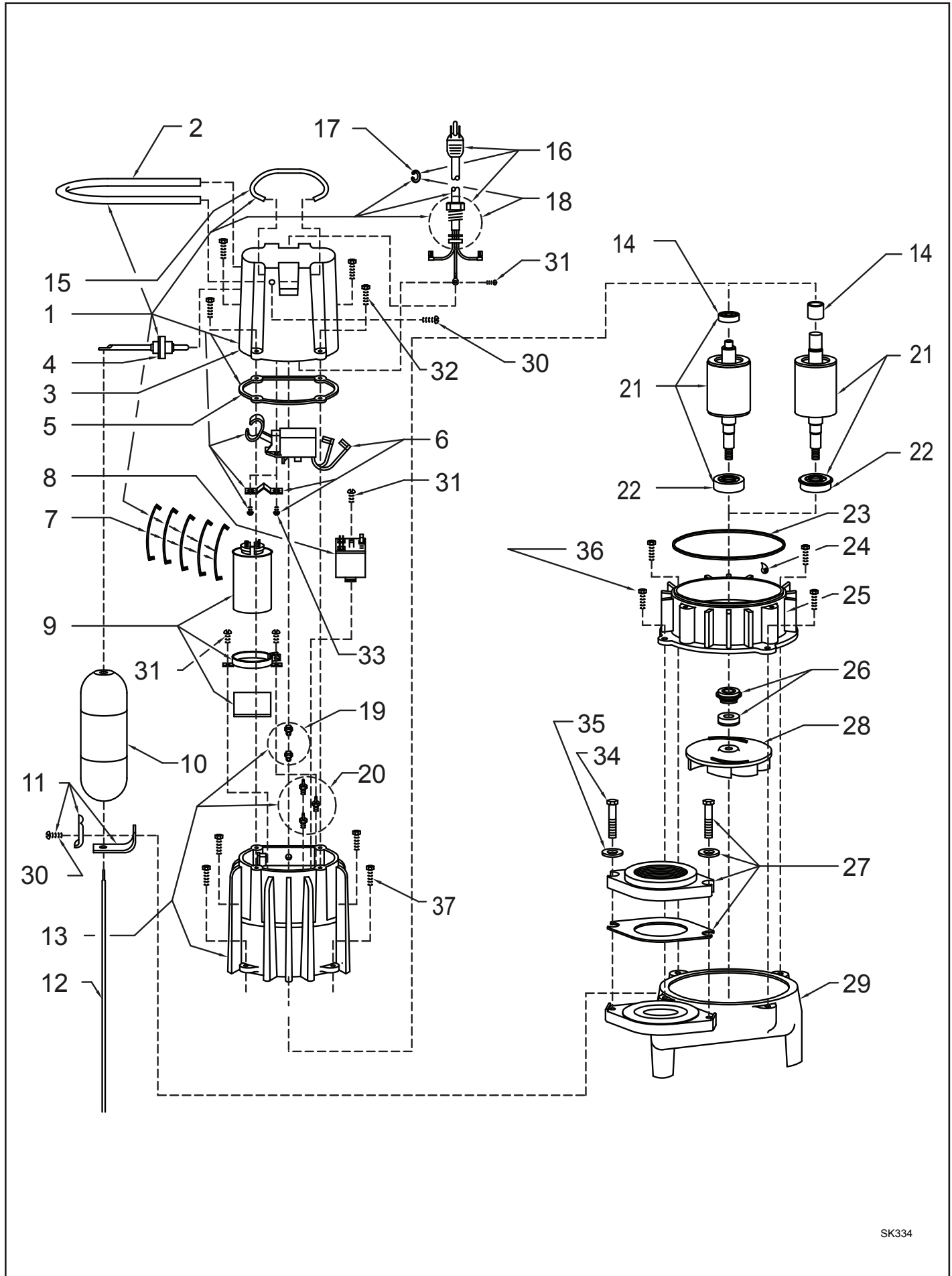
- Motor housing, bearing, stator & terminal are preassembled at the factory and must be replaced as a unit. Stator is permanently attached to motor housing. Plug, seal, thru wall terminal and upper bearing are replaceable.
- When ordering these parts, customer must identify if switch is a General Electric switch.
- If an "X" follows Model No. or Date Mfg. on brass ID tag, consult factory for ordering of this part.
- See FM0160 Parts Price Sheet for listing of parts prices.
- "N/A" indicates, not applicable.
- When ordering motor housing, bearing, stator and term. or rotor, specify either GE or Emerson motor. GE motor can be identified by (4) holes spaced at 90° around the outside diameter of the stator. Emerson motor can be identified by (4) flat edges spaced at 90° around the outside diameter of the stator.

DATE CODE OF MANUFACTURE FROM 12/70 to 12/88

1st LETTER MONTH		2nd LETTER YEAR			
M --- JAN.	T --- JULY	A --- 1971	G --- 1977	O --- 1983	
N --- FEB.	U --- AUG.	B --- 1972	H --- 1978	P --- 1984	
O --- MARCH	V --- SEPT.	C --- 1973	I --- 1979	R --- 1985	
P --- APRIL	W --- OCT.	D --- 1974	J --- 1980	S --- 1986	
R --- MAY	X --- NOV.	E --- 1975	M --- 1981	T --- 1987	
S --- JUNE	Y --- DEC.	F --- 1976	N --- 1982	U --- 1988	

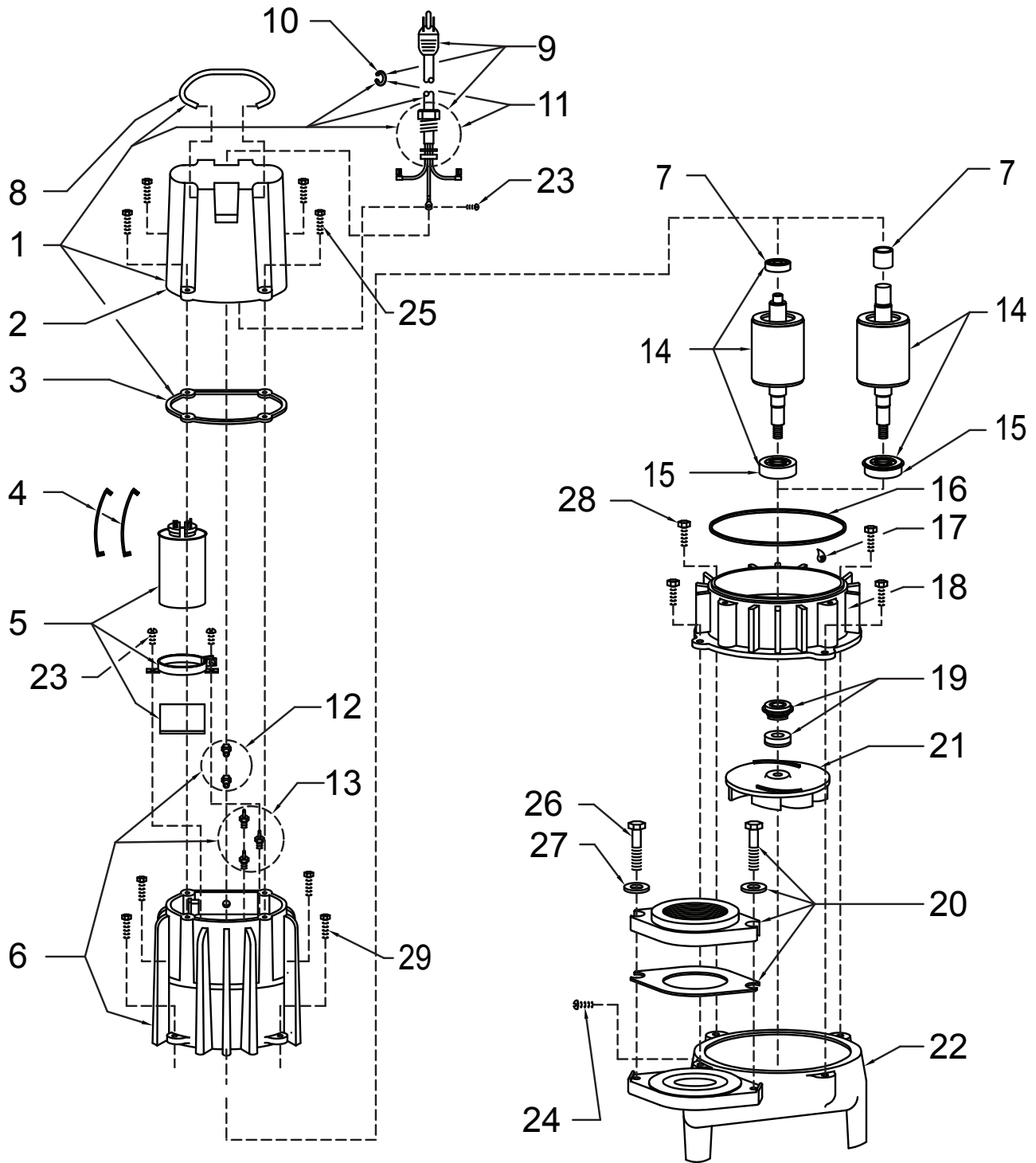
NOTE: Four digit (MMYY) date of mfg. used after June, 1988.
IE: MMYY = 0192 = Jan. 1992.

REPLACEMENT PARTS ILLUSTRATION FOR MODELS "H282"



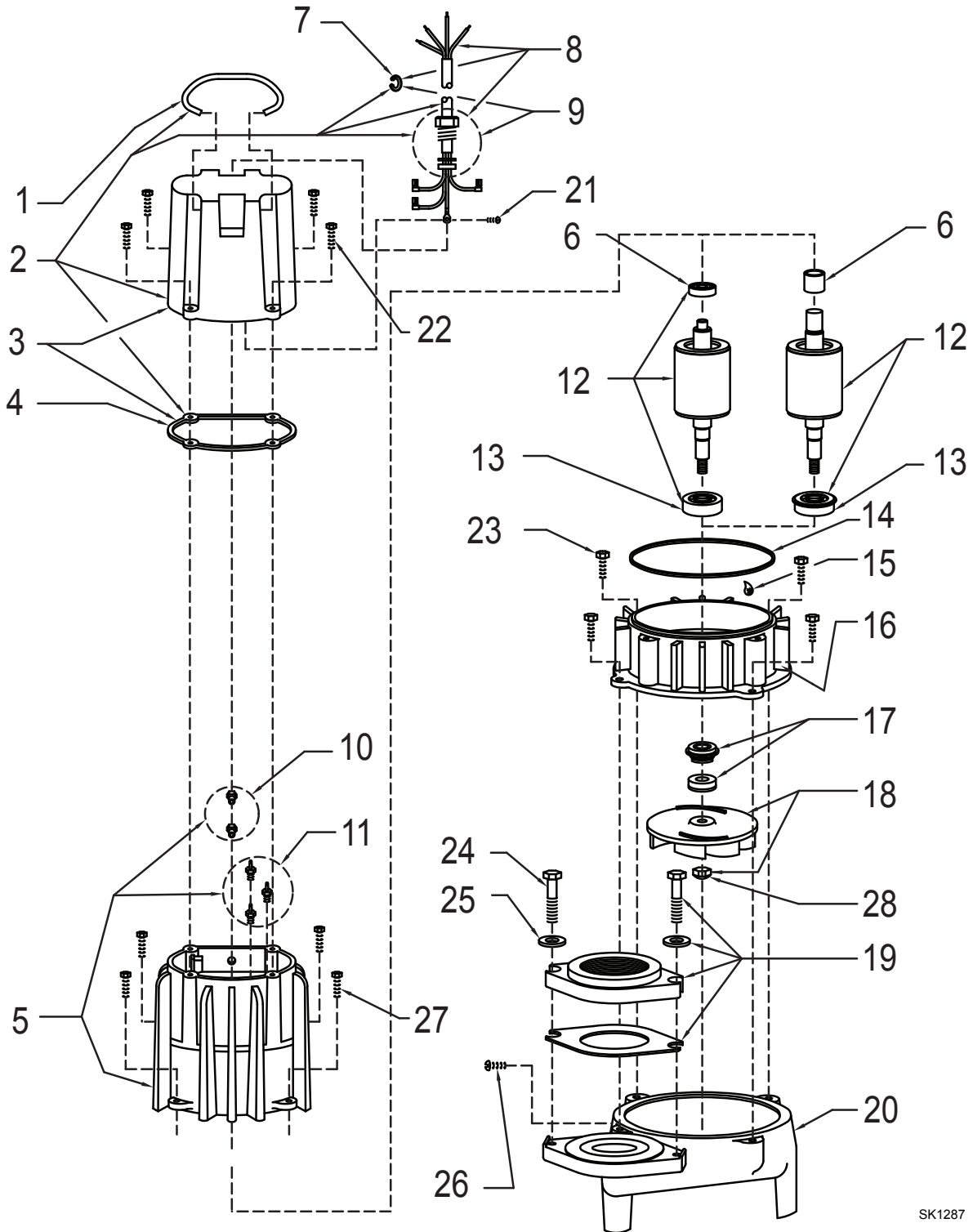
SK334

REPLACEMENT PARTS ILLUSTRATION FOR MODELS "I282"



SK924

REPLACEMENT PARTS ILLUSTRATION FOR MODELS "J282", "F282", "G282", & "BA282"



SK1287



PUMP COMPANY

MAIL TO: P.O. BOX 16347 • Louisville, KY 40256-0347
 SHIP TO: 3649 Cane Run Road • Louisville, KY 40211-1961
 (502) 778-2731 • 1 (800) 928-PUMP • FAX (502) 774-3624

Your Peace of Mind is Our Top Priority®

visit our web site:
www.zoeller.com