

Product information presented here reflects conditions at time of publication. Consult factory regarding discrepancies or inconsistencies.

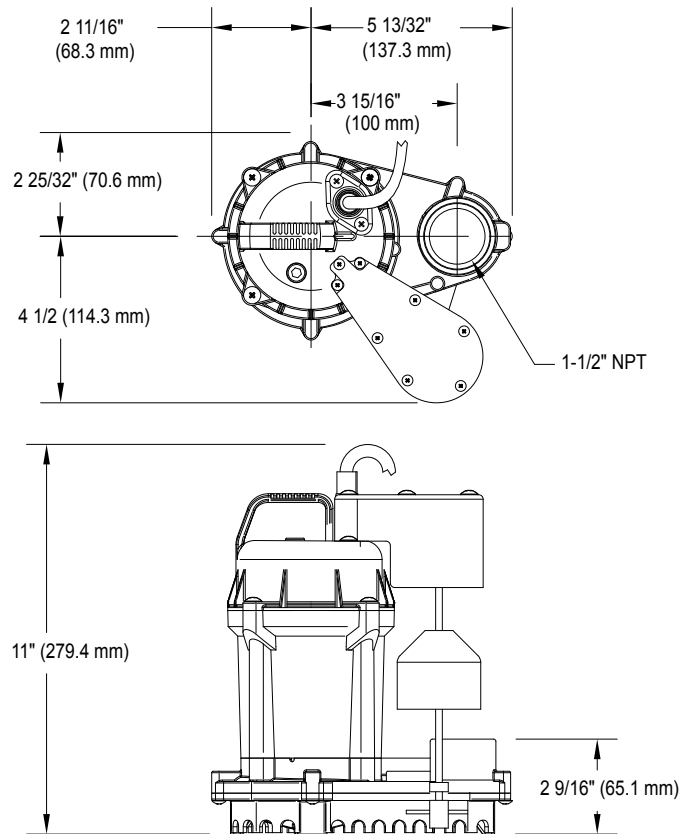
PUMP COMPANY

Zoeller Family of Water Solutions™

TECHNICAL DATA SHEET
AQUA-MATE SERIES
Model 73 Submersible Dewatering Pump
Builder Series

PRODUCT SPECIFICATIONS

MOTOR	Horse Power	1/3
	Voltage	115
	Phase	1 Ph
	Hertz	60 Hz
	RPM	3450
	Type	Permanent split capacitor
	Insulation	Class B
	Amps	5.5
PUMP	Operation	Automatic
	Auto On/Off Points	6 1/2" (16.5 cm)/2 1/2" (6.3 cm)
	Discharge Size	1 1/2" NPT
	Solids Handling	3/8" (9 mm) spherical solids
	Cord Length	9'
	Cord Type	UL listed with 3 prong plug
	Max. Head	18' (5.5 m)
	Max. Flow Rate	38 GPM (144 LPM)
	Max. Operating Temp.	104° F (40° C)
	Cooling	Oil filled
	Motor Protection	Auto reset thermal overload
	MATERIALS	Motor Housing
Pump Housing		Engineered plastic
Base		Engineered plastic
Upper Bearing		Ball bearing
Lower Bearing		Ball bearing
Mechanical Seals		Carbon and ceramic
Impeller Type		Non-clogging vortex
Impeller		Engineered plastic
Hardware		Stainless steel
Motor Shaft		410 stainless steel
Gasket		NBR



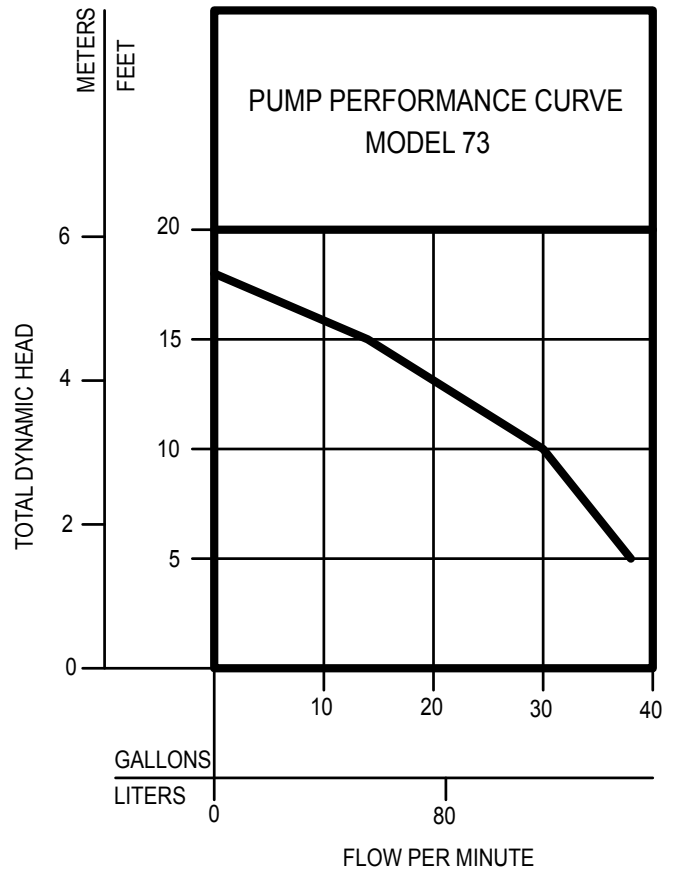
SK3021

NOTE: See model comparison chart for specific details.



**TOTAL DYNAMIC HEAD
FLOW PER MINUTE**

MODEL		73	
Feet	Meters	Gal.	Liters
5	1.5	38	144
10	3.0	30	114
15	4.6	14	53
Shut-off Head:		18 ft. (5.5 m)	



153077

Model	MODEL COMPARISON								
	Seal	Mode	Volts	Ph	Amps	HP	Hz	Lbs	Kg
M73	Single	Auto	115	1	5.5	1/3	60	12.5	5.6

* Single piggyback switch included.

NOTE: See FM0477_Sa for a residential alternator system.

CAUTION All installation of controls, protection devices and wiring should be done by a qualified licensed electrician. All electrical and safety codes should be followed including the most recent National Electrical Code (NEC) and the Occupational Safety and Health Act (OSHA).