

NOTICE TO INSTALLER: Instructions must remain with installation.

Trusted. Tested. Tough.™

Product information presented here reflects conditions at time of publication. Consult factory regarding discrepancies or inconsistencies.



FM2943
0218
Supersedes
1016

MAIL TO: P.O. BOX 16347 • Louisville, KY 40256-0347
SHIP TO: 3649 Cane Run Road • Louisville, KY 40211-1961
TEL: (502) 778-2731 • 1 (800) 928-PUMP • FAX: (502) 774-3624

Visit our web site:
zoellerpumps.com

APak® Z Control® Enabled ALARM INSTALLATION INSTRUCTIONS

For indoor use only.

All electrical and safety codes must be followed including the National Electrical Code and all applicable local codes.

Do not connect powered devices to inputs.

SPECIFICATIONS

This alarm unit monitors liquid levels in lift pump chambers, sump pump basins, holding tanks, and other non-potable water applications. In addition, the Z Control® Enabled version of the APak® can connect to the Z Control® Cloud with its built-in Wi-Fi®. It features a green Power On LED, red Input 1 and Input 2 LEDs, an audible buzzer, normally closed dry contacts, and a Silence/Reset/Test button. The APak® plugs into a 120 V, 60 Hz receptacle. Battery backup power is applied by 2 standard alkaline AA batteries, which are not included and must be purchased separately.

ALARM UNIT INSTALLATION

- 1) Before installing alarm, remove the 4 cover screws to access battery compartment (see Figure B) and install 2 AA standard alkaline batteries, not included.
- 2) Mount the alarm unit securely.
- 3) Plug transformer's barrel connector into the APak®. Secure power cord so it does not interfere with or obstruct any other devices.
- 4) Plug transformer into standard 120 V AC, 60 Hz receptacle. A loud beep will occur when completing this step.

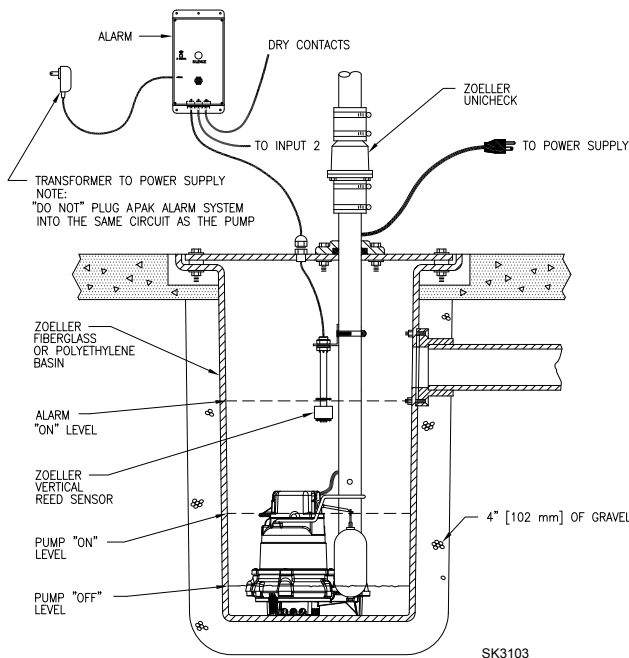
NOTE: The APak® Alarm should be connected to a circuit separate from the pump circuit.

Some installations may require the APak® alarm to be powered by batteries only or by AC power only. For appropriate alarm behavior in such installations, see the following chart.

Power choice	Resulting alarm behavior	Do this
AC & batteries	Alarms for power outage and low battery.	Insert batteries and connect to power.
AC only	Low battery alarm disabled.	Hold button while powering up the alarm for about 5 seconds until a single beep is heard, then release the button. This setting will be remembered by the alarm even after a power outage. If this setting is no longer desired, simply adding batteries will remove this setting.
Batteries only*	Power outage alarm disabled.	Insert batteries. The alarm will not detect loss of AC power if it is never applied.

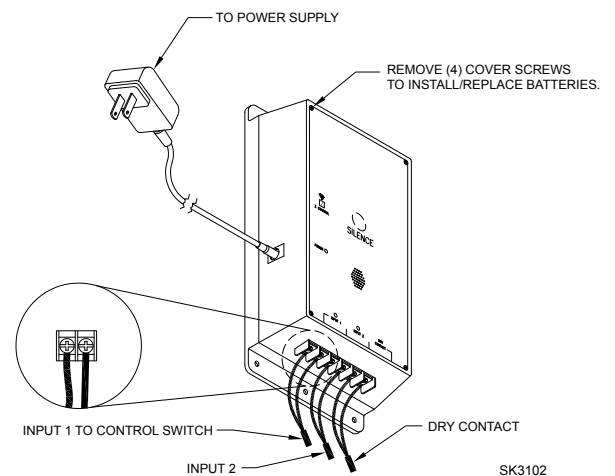
*LED, alarm, and Z Control® connectivity have different behaviors in battery-only mode. See chart on page 7.

Figure A



10-4013 pictured

Figure B



Wi-Fi® is a registered trademark of Wi-Fi Alliance®.

LIMITED WARRANTY

Manufacturer warrants, to the purchaser and subsequent owner during the warranty period, every new product to be free from defects in material and workmanship under normal use and service, when properly used and maintained, for a period of 5 years from date of purchase by the end user. Parts that fail within the warranty period, that inspections determine to be defective in material or workmanship, will be repaired, replaced or remanufactured at Manufacturer's option, provided however, that by so doing we will not be obligated to replace an entire assembly, the entire mechanism or the complete unit. No allowance will be made for shipping charges, damages, labor or other charges that may occur due to product failure, repair or replacement.

This warranty does not apply to and there shall be no warranty for any material or product that has been disassembled without prior approval of Manufacturer, subjected to misuse, misapplication, neglect, alteration, accident or uncontrollable act of nature; that has not been installed, operated or maintained in accordance with Manufacturer's installation instructions; that has been exposed to outside substances including but not limited to the following: sand, gravel, cement, mud, tar, hydrocarbons, hydrocarbon derivatives (oil, gasoline, solvents, etc.), or other abrasive or corrosive substances, wash towels or feminine sanitary products, etc. in all pumping applications. The warranty

set out in the paragraph above is in lieu of all other warranties expressed or implied; and we do not authorize any representative or other person to assume for us any other liability in connection with our products.

Contact Manufacturer at, 3649 Cane Run Road, Louisville, Kentucky 40211, Attention: Customer Support Department to obtain any needed repair or replacement of part(s) or additional information pertaining to our warranty.

MANUFACTURER EXPRESSLY DISCLAIMS LIABILITY FOR SPECIAL, CONSEQUENTIAL OR INCIDENTAL DAMAGES OR BREACH OF EXPRESSED OR IMPLIED WARRANTY; AND ANY IMPLIED WARRANTY OF FITNESS FOR A PARTICULAR PURPOSE AND OF MERCHANTABILITY SHALL BE LIMITED TO THE DURATION OF THE EXPRESSED WARRANTY.

Some states do not allow limitations on the duration of an implied warranty, so the above limitation may not apply to you. Some states do not allow the exclusion or limitation of incidental or consequential damages, so the above limitation or exclusion may not apply to you.

This warranty gives you specific legal rights and you may also have other rights which vary from state to state.

CONTROL SWITCH INSTALLATION

VERTICAL REED SENSOR

(10-4013)

▲ WARNING DO NOT install sensor in direct line of incoming liquid.

- 1) Fasten sensor to right-angle mounting bracket by unthreading plastic nut. Re-tighten plastic nut after inserting sensor stem in bracket (see Figure C).
- 2) Locate sensor at desired activation level and secure mounting bracket to the discharge pipe as shown (see Figures C, D, and E) using supplied hose clamp.
NOTE: DO NOT install cord under hose clamp.
- 3) Secure sensor cord to discharge pipe. Be sure not to leave any loose cord that could rub against and obstruct other devices in basin assembly.
NOTE: Create a cable strain relief when securing the control switch cord by fastening a 2" (50 mm) loop of the cord to the pipe with a cable tie or tape. Be sure sensor float moves up and down without interference.

CLAMP & BRACKET DETAIL

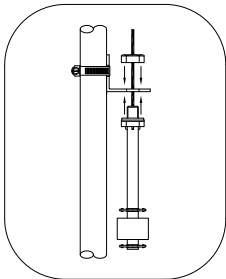


Figure C

SK1301E

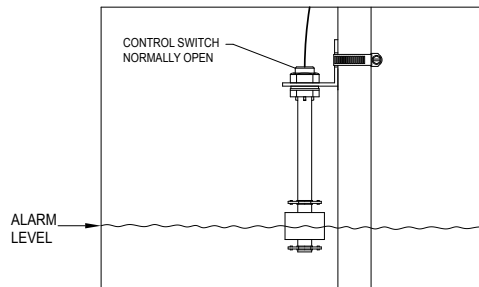


Figure D

SK1301D

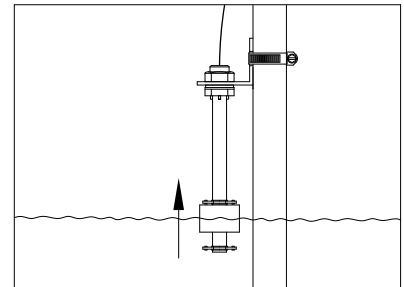


Figure E

SK1301E

NOTE: Alarm system 10-4014 is recommended for sewage applications. If a 10-4013 is used in a sewage application, the float should be inspected and cleaned as necessary after any high water incident.

MECHANICAL FLOAT SWITCH

(10-4014)

- 1) Place cord into clamp and secure to discharge pipe as shown in clamp detail (see Figure F). **NOTE:** Do not install the cord under the hose clamp.
- 2) Tighten the hose clamp with a screwdriver. **NOTE:** Do not over tighten; over-tightening may cause damage to the plastic clamp.
- 3) Make sure the float cable is not allowed to touch the excess hose clamp band during operation.
- 4) The float switch must be suspended 7" (17.8 cm) below desired activation level (see Figure G).
- 5) Be certain that installation of float allows for unobstructed range of motion.

LIFT PUMP

Suspend control switch above pump turn on level. If a pump failure causes high-level condition, the APak® Alarm System will activate (see Figure A).

HOLDING TANK

Suspend control switch into tank 7" (17.8 cm) below desired alarm level. APak® Alarm System will activate if float ascends to alarm level (see Figure G).

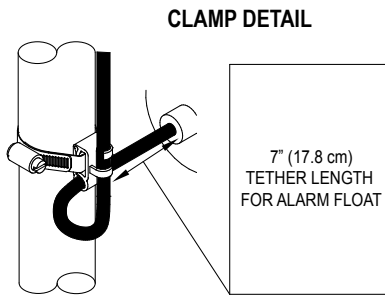


Figure F

SK1301F

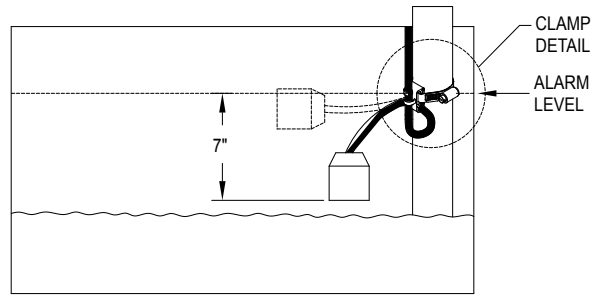


Figure G

SK1301G

CONTROL/MECHANICAL SWITCH WIRING

Connect the two conductors from the control or mechanical switch to either pair of input terminals on the bottom of the alarm unit (see Figure B). The control switch operates on low voltage to reduce shock hazards. The second input may be used to connect a second switch or dry contacts from another device.

OPERATION AND TESTING

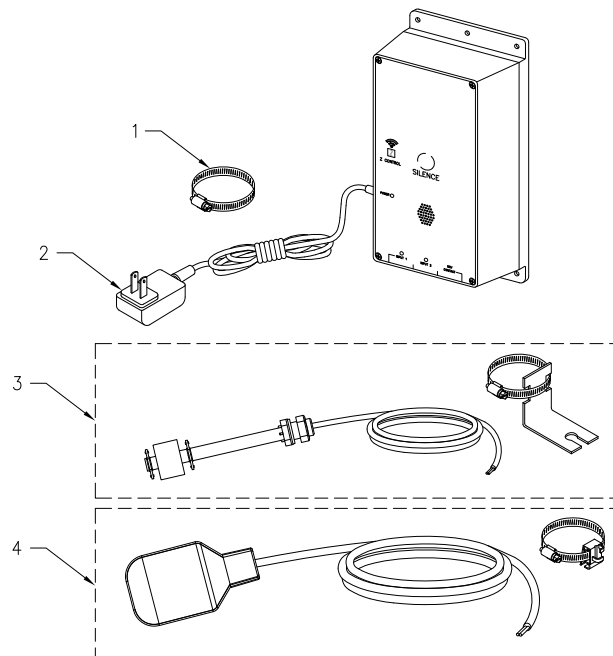
Check and test your installation by lifting the float manually (see Figure E or G). The alarm unit will indicate an alarm condition by beeping and lighting a red LED above "Input 1". The alarm may be silenced for 24 hours* by briefly pressing the Silence button. Once silenced, the LED changes to a flashing state and the audible horn will not sound. Once the high water condition is remedied, the alarm should be reset by holding the Silence button for 2 seconds. Zoeller Company cannot be responsible for damages caused by faulty or negligent installation of this device. We respectfully suggest you engage the services of a qualified, licensed electrician or service person. Hold the Silence button for more than 4 seconds to test once per week to verify proper operation.

For units without internet connectivity, see the standard APak® 10-4011, 10-4012.

During a power outage, the APak® will beep every 30 seconds until the power is restored. If a high water alarm occurs during power outage with batteries installed, the alarm will sound every 5 seconds.

*24 hours is the default setting. This and other settings may be changed from Z Control® Cloud.

		Models	10-4013-A	10-4014-A
Item	Description	Qty	3/16 thru Current	3/16 thru Current
1	Clamp, #36 worm-SS	1	001766	001766
2	Supply, power (service part)	1	154018	154018
3	Switch, vertical reed (service part)	1	154033	N/A
4	Switch, mechanical float	1	N/A	10-2060



© Copyright 2018 Zoeller® Co. All rights reserved.

SK3113

CONNECTING THE APak® TO Z CONTROL®

By connecting the APak® to the Z Control® Cloud using the built-in Wi-Fi®, the user can set up free alert messages via email, text, and mobile app “push” notifications. In addition, the user can verify the APak®’s readiness, remotely silence alarms and reset the unit, configure settings, and modify how notifications are sent. Other visual information such as input status and battery level are available through the web and app interfaces.

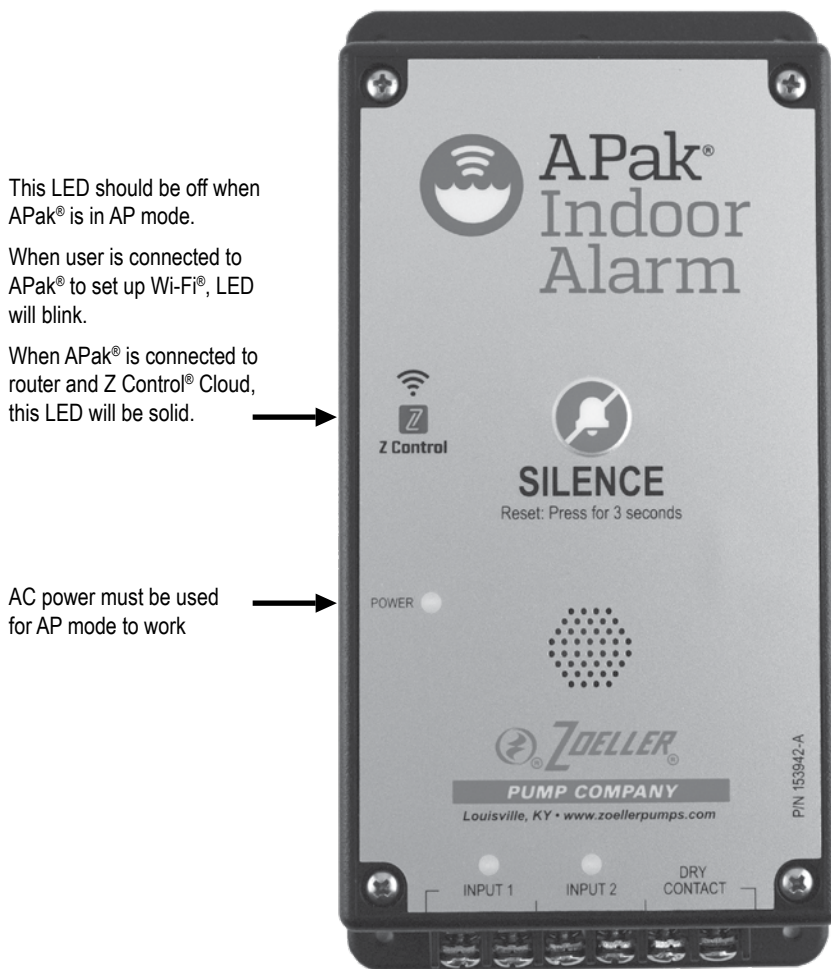
Before you begin:

- Know what your Wi-Fi® router is named (i.e. its SSID) and its password. Double check you know the correct password and exactly how it is spelled, including capitalization. This will prevent the most common troubleshooting issue.
- Verify your Wi-Fi® router is connected to the internet.
- Verify your phone, tablet, or computer has working Wi-Fi®, can connect to your Wi-Fi® router, and that you can be close to the APak® during the installation process.
- Create a free account at zcontrolcloud.com.
- Locate the APak®’s Device ID on the top sticker.

Connection Steps:

1. Apply AC Power to the APak® (see note below for battery only installation**). The Z Control® LED will blink and then turn off, indicating the APak® is in AP Mode* and is transmitting an SSID (see Figure H). If the LED is blinking and not in AP mode, either press the Silence button for 12 seconds and let go OR hold the Silence button while applying AC power. The LED will now be off, indicating the APak® is in AP Mode.

Figure H



*AP Mode is when the APak® is broadcasting its “name”, or SSID. The SSID is in the format ZCTL_ APAK_ xxxx where “xxxx” is the first 4 digits of your APak®’s Device ID. The APak®’s SSID will show up in your phone/tablet/computer’s list of available Wi-Fi®, and selecting it will give you direct connectivity to the APak®. This is required in order to give the your APak® the password credentials needed to connect to the Wi-Fi® of your choice.

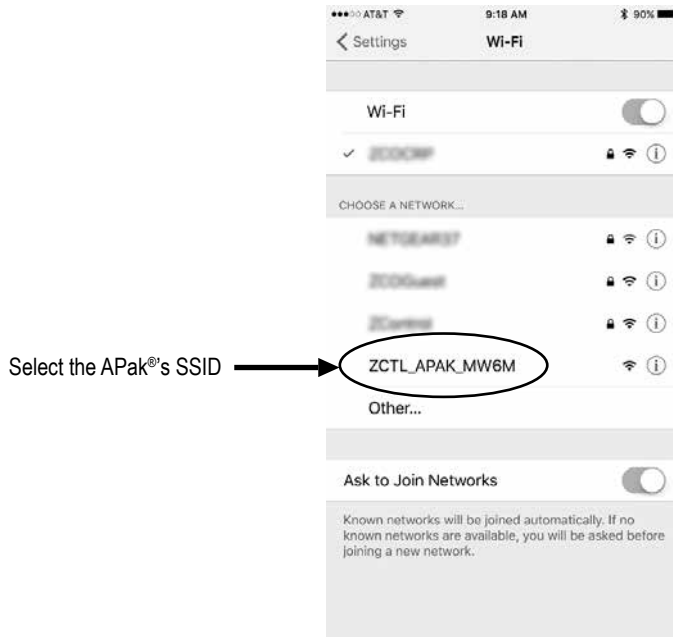
**Battery Only Mode. The APak® will not broadcast an SSID when powered by batteries (DC) only. It must have AC power to broadcast an SSID. Once the APak® is connected to Wi-Fi®, AC power may be removed if desired. Since the APak® has previously seen AC power and it has been removed, the APak® will now beep every 30 seconds indicating a power outage. To remedy, remove battery power for a moment, then reinsert batteries. The APak® will no longer alarm for AC Power Out (unless AC Power is again applied and then removed). The LEDs and alarm will behave differently than when AC is present in order to conserve battery power. In battery only mode, the APak® will check into the Z Control® Cloud far less often in order for the batteries to last for approximately 1 year.

- Standing near the APak®, use your phone, tablet, or computer to look for the APak®'s SSID in your Wi-Fi® settings (see Figure I). It will look like "ZCTL_APAK_xxxx" where "xxxx" is the first 4 digits of your APak®'s Device ID. Select this, and 2 things will happen:

- The Z Control® LED will flash quickly.
- A Z Control® setup screen will open after a few seconds.

If the setup screen does not appear, open a browser on the same device and type "zconfig.zoeller.com" or "192.168.125.1" in the address bar. If the setup screen appears but is not used (cancelled or otherwise closed), the APak® will return to AP mode and the Z Control® LED will turn off until the next Wi-Fi® setup attempt.

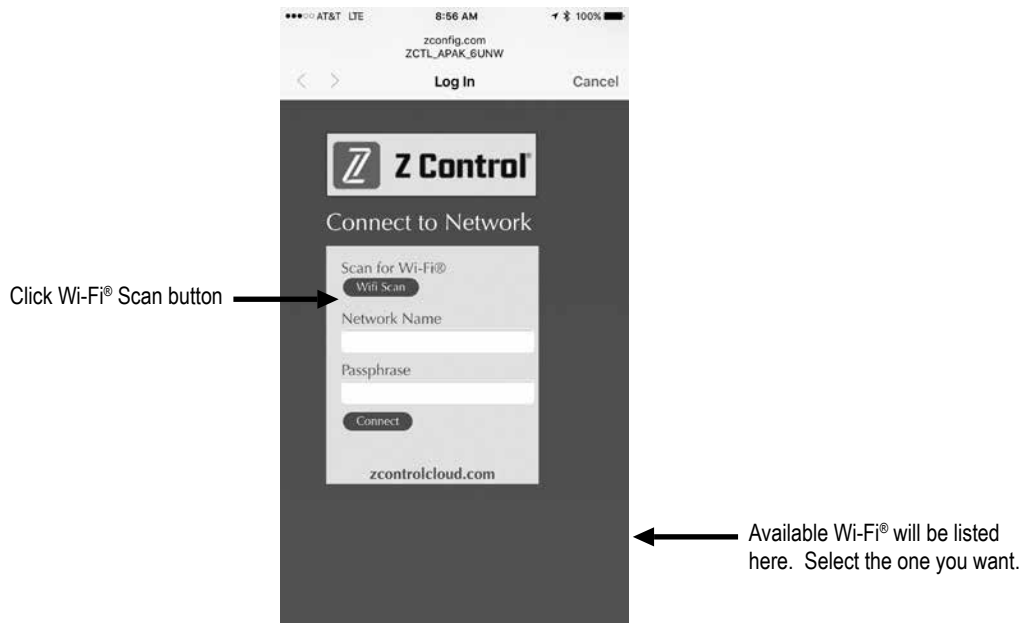
Figure I



- On the setup screen (see Figure J), press the "Wi-Fi® Scan" button, scroll down to see the list of Wi-Fi® signals found, and choose the Wi-Fi® you want the APak® to use for internet connectivity. Enter the password for the router you chose in the field indicated. If the password is correct, the APak® will connect to the router and start sending status updates to zcontrolcloud.com. You will see the Z Control® LED go from blinking to solid. This could take up to a minute or so.

If the LED does not turn solid, then the password entered is incorrect, the router's security is insufficient (see note below**), or some other network restriction is in place (see your network administrator). The APak® will return to AP mode if the connection to router is not successful. If you need to force the APak® into AP mode again, either press the Silence button for 12 seconds OR hold the Silence button while applying AC power. Either of these methods will cause the APak® to re-enter AP mode and begin transmitting its SSID again.

Figure J

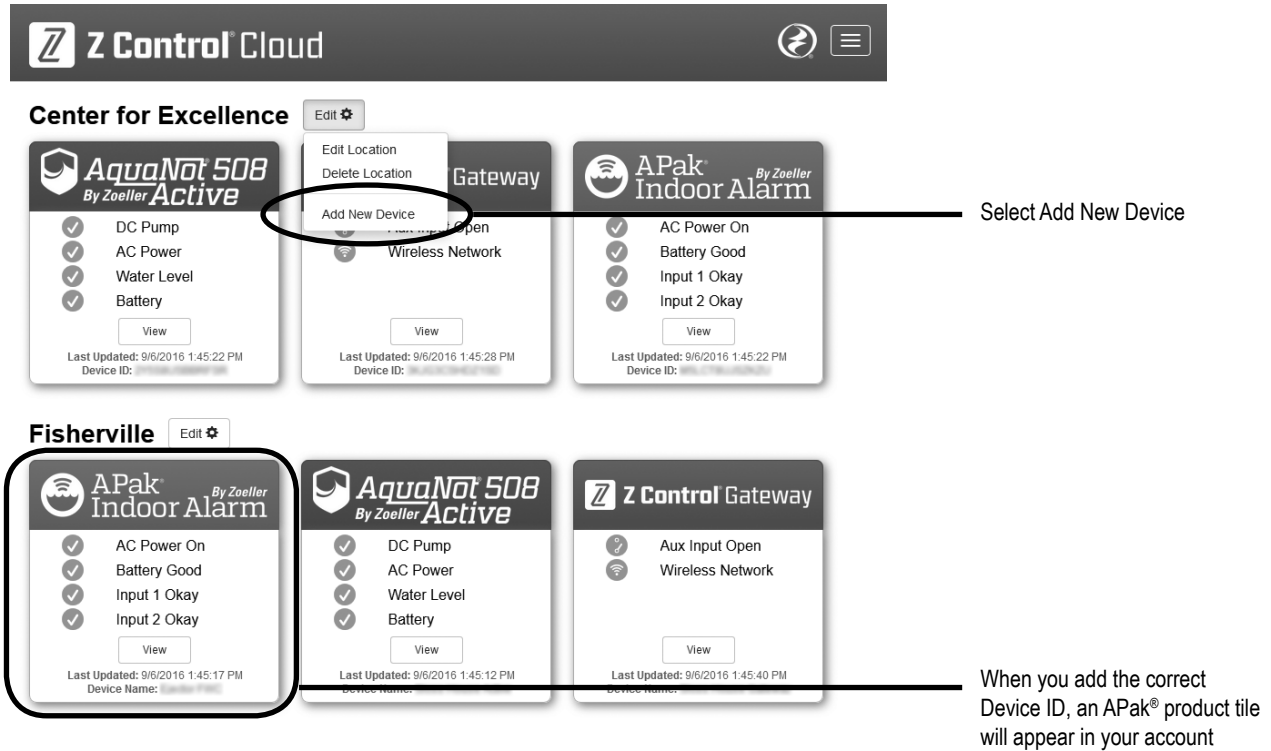


**Note that the APak® will not connect to routers with "WEP" or "OPEN" security.

- Once the APak®'s Z Control® LED is solid, log in to your account (or create one) at zcontrolcloud.com (see Figure K). Click the Edit button next to a Location, and choose Add New Device. Follow the directions to add your APak® by either auto-detect or entering the Device I.D. When successful, an APak® product tile will appear in your account.

The APak® is capable of “over the air” firmware updates. It’s possible that the APak® could perform an update immediately if one is available at the Z Control® Cloud. If an update is taking place, the Z Control® LED will flicker for up to 1 minute while the update is downloaded. The Z Control® LED will be solid and all other LEDs will turn off while the update is being installed. After up to 1 minute, the APak® will restart and return to normal operation. The APak®’s alert history on the Z Control® Cloud will also be updated with the firmware upgrade information, and notification to email accounts will occur.

Figure K



Congratulations! Your APak® is online. You can now open the product’s configuration by clicking the “View” button to modify the APak®’s device and notification settings.

You can also install the Z Control® mobile app on your mobile device (Android and iOS versions available, search “Z Control” in the app stores). This app allows for easy access to device information. Silence, Reset, and Test functionality is also included. The app is not currently designed for setting up Wi-Fi®, creating an account, or adding devices. These steps can only be done through the web interface (using a mobile device to access the web interface is fine). Setting up the APak® to use your Wi-Fi® is completed by connecting to the APak®’s internal Wi-Fi® (as discussed in the above Connection Steps).

APAK® LED, BUTTON, ALARM, AND Z CONTROL® BEHAVIORS

		AC and DC Mode	AC Only Mode	DC Only Mode
LED and Alarm Behaviors	Power LED	Power LED is on when AC and DC power are present.	Power LED is on when AC power is present.	Power LED off when only batteries have been inserted, but will blink when button pressed.
	Input 1 or Input 2 In Alarm	Input LED on solid. Alarm triple beeps continuously.	Input LED on solid. Alarm triple beeps continuously.	Input LED blinks and alarm double beep every 5 seconds.
	Low Battery Alarm	Power LED blinks. Alarm triple beeps every 5 seconds.	N/A	Power LED blinks and alarm beeps every 10 seconds.
	Power Out Alarm	All LEDs go out to conserve battery power. Power LED blinks and alarm double beeps every 30 seconds.	N/A	N/A
	Z Control® LED	LED is solid when connected to router and Z Control Cloud. LED is off when APak® is in AP mode.* LED blinks when Wi-Fi® setup is in process. LED blinks faster if APak® is attempting to reconnect to a known router. LED alternates blinking fast then slow when APak is connected to router but internet is lost.	LED is solid when connected to router and Z Control® Cloud. LED is off when APak® is in AP mode.* LED blinks when Wi-Fi® setup is in process. LED blinks faster if APak® is attempting to reconnect to a known router. LED alternates blinking fast then slow when APak® is connected to router but internet is lost.	In order to conserve battery power, Z Control® LED is dimly lit while connected to the router and Z Control® Cloud and off when the Wi-Fi® module is in low power mode. AC power is required for Wi-Fi® setup (see directions). To test connectivity, trigger an Input.
Silence Button	Press/Release	Silences Alarms. LED that is in alarm stays on (or blinks) until APak® is Reset.	Silences Alarms. LED that is in alarm stays on (or blinks) until APak® is Reset.	Silences alarm. LED still blinks every 5 seconds until alarm is Reset. In standby mode, a short beep will occur to indicate APak® is ready.
	Hold 3 Seconds	Resets any active alarms and returns APak® to standby mode.	Resets any active alarms and returns APak® to standby mode.	Resets any active alarms and returns APak® to standby mode.
	Hold 4 Seconds	Initiates a LED and Alarm Test. Will flash and double beep 3 times.	Initiates a LED and Alarm Test. Will flash and double beep 3 times.	Initiates a LED and Alarm Test. Will flash and double beep 3 times.
	Hold While Applying AC To APak®	APak® will enter AP mode*. For APak® to revert to previous Wi-Fi® settings, power cycle again.	APak® will enter AP mode*. For APak to revert to previous Wi-Fi® settings, power cycle again.	APak® will enter AP mode*. For APak® to revert to previous Wi-Fi® settings, power cycle again. See "Battery Mode Only" note above.
	Hold 12 Seconds	Complete reset of APak® to factory settings, including erasing Wi-Fi settings®. APak® will enter AP mode.*	Complete reset of APak® to factory settings, including erasing Wi-Fi settings. APak® will enter AP mode.*	Complete reset of APak® to factory settings, including erasing Wi-Fi settings.
Communications and Battery Life	Communication With Z Control® Cloud	Communication is nearly continuous.	Communication is nearly continuous.	Limited to once per day to conserve battery power.
	Communication with Z Control® Cloud Lost	Notification sent to user after 10 minutes of no communication.	Notification sent to user after 10 minutes of no communication.	Notification sent to user after 24 hours of no communication.
	Alarm Condition Present	Immediate communication to Z Control® Cloud.	Immediate communication to Z Control® Cloud.	Immediate communication to Z Control® Cloud.
	Auxiliary Output	Triggered for Input 1, Input 2, Power Out, and Low Battery Alarms.	Triggered for Input 1 and Input 2 Alarms.	Does not function*
	Battery Life	1-2 years with normal use.	N/A	Approximately 1 year with normal use.

*AP Mode is when the APak® is broadcasting its "name", or SSID. The SSID is in the format ZCTL_APAK_xxxx where "xxxx" is the first 4 digits of your APak®'s Device ID. The APak®'s SSID will show up in your phone/tablet/computer's list of available Wi-Fi®, and selecting it will give you direct connectivity to the APak®. This is required in order to give your APak® the password credentials needed to connect to the Wi-Fi® of your choice.

These are the original installation instructions.



MAIL TO: P.O. BOX 16347 • Louisville, KY 40256-0347
SHIP TO: 3649 Cane Run Road • Louisville, KY 40211-1961
(502) 778-2731 • 1 (800) 928-PUMP • **FAX** (502) 774-3624

Visit our web site:
zoellerpumps.com

Trusted. Tested. Tough.™

© Copyright 2018 Zoeller® Co. All rights reserved.

La información presentada adentro refleja condiciones al tiempo de publicación. Consultar la fábrica sobre discrepancias o contradicciones.



DIRECCIÓN POSTAL: P.O. BOX 16347 • Louisville, KY 40256-0347 EEUU
DIRECCIÓN PARA ENVÍOS: 3649 Cane Run Road • Louisville, KY 40211-1961 EEUU
TEL: +1 (502) 778-2731 • **FAX:** +1 (502) 774-3624

Visite a nuestro sitio web:
zoellerpumps.com



APak®



Z Control® Habilitado

INSTRUCCIONES DE INSTALACIÓN DE LA ALARMA

Para uso en interiores solamente.

Deberán cumplirse todos los códigos de electricidad y seguridad además del Código Eléctrico Nacional y todos los códigos locales pertinentes.

No conecte dispositivos encendidos a la entrada.

ESPECIFICACIONES

Esta unidad de alarma monitorea el nivel de líquido en cámaras de bomba elevadora, contenedores para agua de bombas de sumidero, tanques de almacenamiento y otras aplicaciones de agua no potable. Cuenta con una luz verde indicadora de alimentación, una luz roja de entrada, un timbre audible y botón de silencio/prueba. Cuenta con un LED verde indicador de alimentación, LED rojas de entrada 1 y entrada 2, un timbre audible, contactos secos normalmente cerrados y un botón de silencio/reinicio/prueba. La APak® se enchufa en un receptáculo de 120 V, 60 Hz. La energía de reserva de la batería se aplica con 2 baterías alcalinas estándar AA, que no vienen incluidas y deben adquirirse por separado.

INSTALACIÓN DE LA UNIDAD DE ALARMA

- 1) Antes de instalar la alarma, retire los 4 tornillos de la tapa para acceder al compartimiento de las baterías (vea la Figura B) e instale 2 baterías AA, no incluidas.
- 2) Monte la unidad de alarma con los tornillos y anclajes.
- 3) Enchufe el conector de cilindro del transformador en la APak®. Fije el cable de alimentación de modo que no obstaculice ni interfiera con otros dispositivos.
- 4) **NOTA:** Se escuchará un pitido fuerte cuando se complete este paso. Conecte el transformador al receptáculo estándar de 120 V CA 60 Hz.
NOTA: La alarma APak® debe conectarse a un circuito separado del circuito de la bomba.

Las instalaciones que utilizan alimentación y baterías de CA pueden omitir la siguiente explicación y gráfico. Algunas instalaciones pueden requerir que la alarma APak® sea alimentada solo por baterías o solo por alimentación de CA. Para obtener un comportamiento adecuado de la alarma en este tipo de instalaciones, consulte la siguiente tabla.

Opción de alimentación	Comportamiento resultante de la alarma	Haga esto
CA y baterías	Alarmas de corte de energía y de batería baja.	Inserte las baterías y conecte a la alimentación.
CA solamente	Alarma de batería baja desactivada.	Sostenga el botón durante unos 5 segundos mientras enciende la alarma hasta escuchar un solo pitido, a continuación suelte el botón. Este ajuste será recordado por la alarma, incluso después de un corte de energía. Si ya no se desea esta opción, simplemente ponga las baterías para eliminar este ajuste.
Solo baterías*	Alarma de corte de energía desactivada.	Inserte las baterías. La alarma no detectará la alimentación de CA si nunca la ha tenido.

* Los LED, alarmas y conectividad Z Control® tienen distintos comportamientos en el modo solo batería. Vea la tabla en la página 15.

Figura A

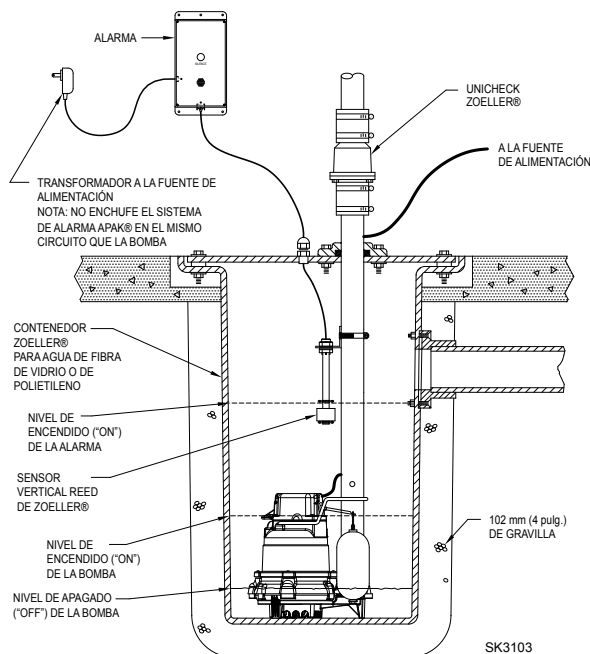
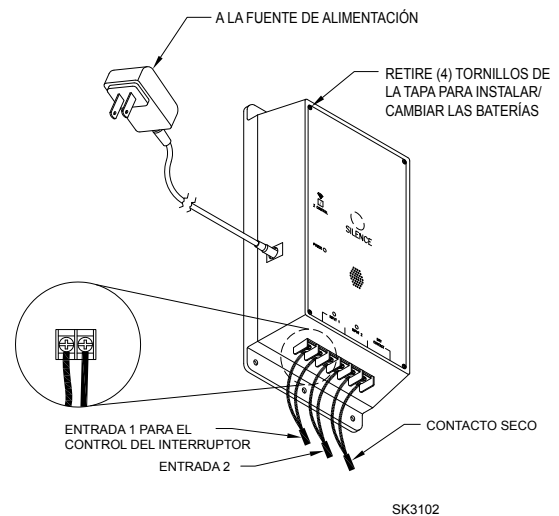


Figura B



GARANTÍA LIMITADA

Mientras dure el período de garantía, el fabricante garantiza al comprador, y al subsiguiente propietario, que los productos nuevos no tendrán defectos de material ni mano de obra por el uso y el servicio normales, siempre que se usen y se mantengan debidamente, durante cinco años a partir de la fecha de compra del usuario final. Las partes que fallen durante el período de garantía, cuyas inspecciones determinen que presentan defectos en materiales o mano de obra, serán reparadas, reemplazadas o remanufacturadas a opción del Fabricante, con la condición sin embargo de que por hacerlo no estemos en la obligación de reemplazar un ensamblaje completo, el mecanismo entero o la unidad completa. No se dará concesión alguna por costos de envío, daños, mano de obra u otros cargos que pudieran surgir por falla, reparación o reemplazo del producto.

Esta garantía no aplica a y no se ofrecerá garantía alguna por ningún material o producto que haya sido desarmado sin aprobación previa del Fabricante, o que haya sido sometido a uso indebido, aplicación indebida, negligencia, alteración, accidente o acto fortuito; que no haya sido instalado, usado o mantenido según las instrucciones de instalación del Fabricante; que haya sido expuesto a sustancias foráneas que incluyen pero no se limitan a lo siguiente: arena, grava, cemento, lodo, alquitrán, hidrocarburos, derivados de hidrocarburos (aceite, gasolina, solventes, etc.), u otras sustancias abrasivas o corrosivas, toallas para lavar o productos sanitarios femeninos, etc. en todos los usos de bombeo. La garantía presentada en el párrafo anterior deja sin

efecto cualquier otra garantía expresa o implícita; y no autorizamos a ningún representante u otra persona para que asuma por nosotros ninguna otra responsabilidad con respecto a nuestros productos.

Comuníquese con el Fabricante en 3649 Cane Run Road, Louisville, KY 40211 EE.UU., a la atención del Customer Support Department, para obtener cualquier reparación necesaria o reemplazo de partes o información adicional sobre nuestra garantía.

EL FABRICANTE EXPRESAMENTE RECHAZA RESPONSABILIDAD POR DAÑOS ESPECIALES, EMERGENTES O INCIDENTALES O POR INCUMPLIMIENTO DE LA GARANTÍA EXPRESA O IMPLÍCITA; Y CUALQUIER GARANTÍA IMPLÍCITA DE IDONEIDAD PARA UN FIN PARTICULAR Y DE COMERCIALIZACIÓN SE LIMITARÁ A LA DURACIÓN DE LA GARANTÍA EXPRESA.

Algunos estados no permiten limitaciones en la duración de una garantía implícita, de forma que la limitación anterior podría no aplicar a usted. Algunos estados no permiten la exclusión o limitación de daños incidentales o emergentes, de forma que la limitación o exclusión anterior podría no aplicar a usted.

Esta garantía le otorga a usted derechos legales específicos y podría tener otros derechos que varían de un estado a otro.

INSTALACIÓN DEL INTERRUPTOR DE CONTROL

SENSOR REED VERTICAL

(10-4013)

ADVERTENCIA NO instale el sensor en línea directa del líquido entrante.

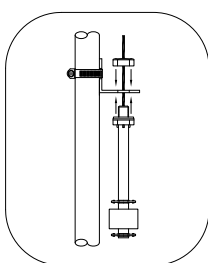
- 1) Fije el sensor al soporte de montaje en ángulo recto desenroscando la tuerca de plástico. Vuelva a apretar la tuerca de plástico después de insertar el vástago del sensor en el soporte (vea la Figura C).
- 2) Coloque el sensor en el nivel de activación deseado y fije el soporte de montaje a la tubería de descarga como se muestra (vea las Figuras C, D y E), utilizando la abrazadera de manguera suministrada.

NOTA: NO instale el cable debajo de la abrazadera de la manguera.

- 3) Fije el cable del sensor a la tubería de descarga. Asegúrese de no dejar ningún cable suelto que pudiera rozar con y obstruir otros dispositivos en el conjunto de contenedor para agua.

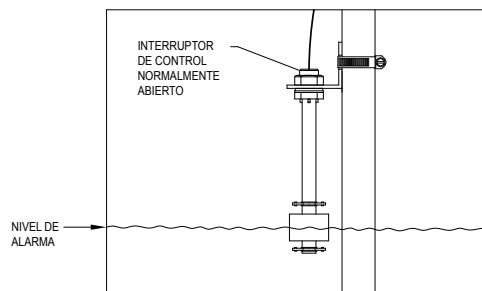
NOTA: Cree un pasacables al fijar el cable del interruptor de control fijando un bucle de 5.1 cm (2 pulg.) de cable a la tubería con una brida para cables o cinta adhesiva. Asegúrese de que el flotador del sensor se mueva hacia arriba y hacia abajo sin interferencias.

ABRAZADERA Y DETALLE DEL SOPORTE



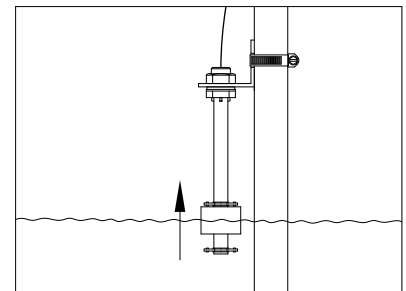
SK1301E

Figura C



SK1301D

Figura D



SK1301E

Figura E

NOTA: Para aplicaciones de aguas negras se recomienda el sistema de alarma 10-4010. Si se usa un sistema 10-4013 en una aplicación de aguas negras, se debe controlar y limpiar el flotador según sea necesario después de cualquier incidente de alto nivel de agua.

INTERRUPTOR DE FLOTADOR MECÁNICO

(10-4014)

- 1) Coloque el cable en la abrazadera y fíjelo a la tubería de descarga como se muestra en el detalle de la abrazadera (vea la Figura F). **NOTA:** No instale el cable debajo la abrazadera de la manguera.
- 2) Apriete la abrazadera de la manguera con un destornillador. **NOTA:** no apriete demasiado; apretar demasiado puede causar daños a la abrazadera de plástico.
- 3) Asegúrese de que el cable del flotador no toque el exceso de banda de la abrazadera de manguera durante el funcionamiento.
- 4) El interruptor de flotador debe estar suspendido a 17.8 cm (7 pulg.) por debajo del nivel de activación deseado. (vea la Figura G).
- 5) Asegúrese de que la instalación del flotador permita un rango de movimiento sin obstrucciones.

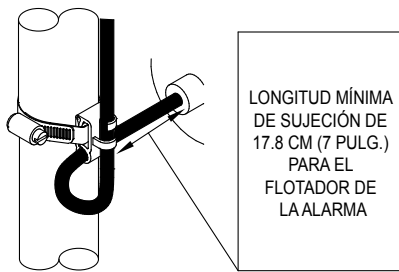
BOMBA ELEVADORA

Suspenda el interruptor de control por encima del nivel de encendido de la bomba. Si una falla de la bomba provoca una condición de alto nivel, el sistema de alarma APak® se activará (vea la Figura A).

TANQUE DE RETENCIÓN

Suspenda el interruptor de control en el tanque a 17.8 cm (7 pulg.) por debajo del nivel de alarma deseado. El sistema de alarma APak® se activará si el flotador asciende al nivel de alarma (vea la Figura G).

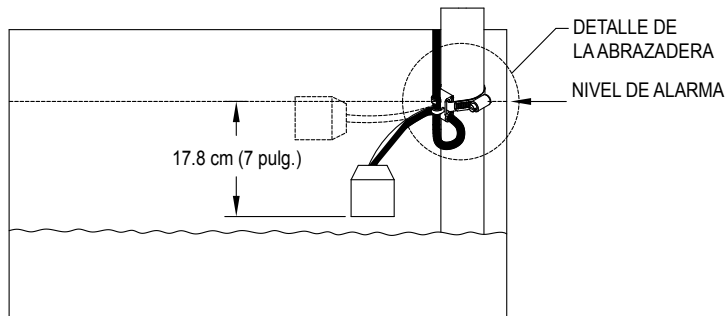
DETALLE DE LA ABRAZADERA



LONGITUD MÍNIMA DE SUJECIÓN DE 17.8 CM (7 PULG.) PARA EL FLOTADOR DE LA ALARMA

Figura F

SK1301F



17.8 cm (7 pulg.)

DETALLE DE LA ABRAZADERA
NIVEL DE ALARMA

Figura G

SK1301G

CABLEADO DEL INTERRUPTOR DE CONTROL/MECÁNICO

Conecte los dos conductores desde el interruptor de control o interruptor mecánico a cualquiera de los dos terminales de entrada en la parte inferior de la unidad de alarma (vea la Figura B). El interruptor de control opera en baja tensión para reducir el riesgo de descargas. La segunda entrada puede usarse para conectar un segundo interruptor o contactos secos a otro dispositivo.

FUNCIONAMIENTO Y PRUEBAS

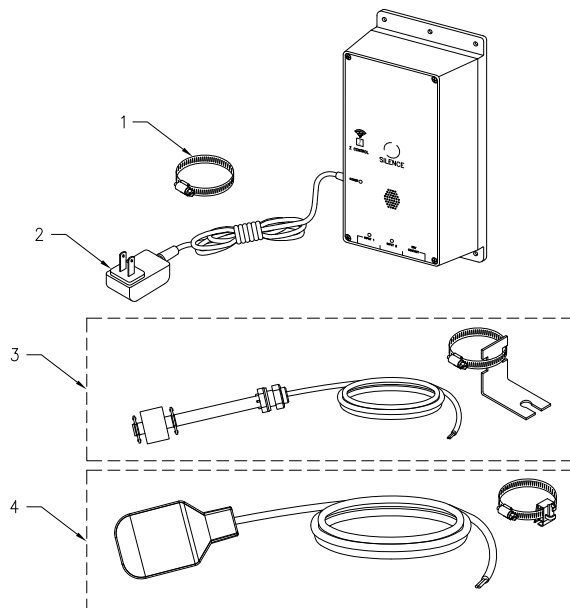
Verifique y pruebe la instalación levantando el flotador manualmente (vea la Figura E o G). La unidad de alarma indicará una condición de alarma con pitidos y encendiendo un LED rojo arriba de "Input 1". La alarma puede ser silenciada durante 24 horas pulsando brevemente el botón Silence. Una vez silenciada, el LED comienza a parpadear y la bocina audible no sonará. Una vez que la condición de nivel alto de agua se solucione, la alarma debe restablecerse manteniendo pulsado el botón Silence durante al menos 3 segundos. Zoeller Company no puede responsabilizarse por daños causados por una instalación defectuosa o negligente de este dispositivo. Respetuosamente sugerimos que contrate los servicios de un electricista certificado o persona de mantenimiento calificada. Mantenga pulsado el botón Silence durante 3 segundos para realizar la prueba una vez por semana con el fin de verificar el funcionamiento correcto.

Para unidades sin conexión a Internet, consulte el APak® estándar 10-4011, 10-4012.

Durante un apagón, el APak® emitirá un pitido cada 30 segundos hasta que vuelva la energía. Si se produce una alarma de alto nivel de agua durante un apagón con las baterías instaladas, la alarma sonará cada 5 segundos.

*La configuración predeterminada es de 24 horas. Tanto esta como otras configuraciones se pueden cambiar desde la Z Control® Cloud.

Artículo	Descripción	Modelos	10-4013-A	10-4014-A
			Cantidad	3/16 al presente
1	Abrazadera, #36 Worm-AI	1	001766	001766
2	Alimentación (parte de servicio)	1	154018	154018
3	Interruptor, reed vertical (parte de servicio)	1	154033	--
4	Interruptor, flotador mecánico	1	--	10-2060



SK3113

CONECTAR EL APak® AL Z CONTROL®

Al conectar APak® a la nube del Z Control® mediante el Wi-Fi® integrado, el usuario puede configurar mensajes de alerta gratuitos por correo electrónico, mensajes de texto y notificaciones "push" de la aplicación móvil. Además, el usuario puede verificar la disponibilidad de APak®, silenciar alarmas y restablecer la unidad de manera remota, ajustar las configuraciones y modificar la forma de envío de las notificaciones. Otra información visual, como el estado de las entradas y el nivel de las baterías, está disponible por Internet y las interfaces de la aplicación.

Antes de comenzar:

- Conozca cuál es el nombre (el SSID) y la contraseña de su router Wi-Fi®. Cerciórese de saber cuál es la contraseña correcta y cómo se deletrea, incluidas las mayúsculas y minúsculas. Esto evitará el problema más común en la solución de problemas.
- Verifique que su router Wi-Fi® esté conectado a Internet.
- Verifique que su teléfono, tableta o computadora tenga Wi-Fi® en funcionamiento, pueda conectarse a su router Wi-Fi® y que pueda estar cerca de la APak® durante el proceso de instalación.
- Cree una cuenta gratuita en zcontrolcloud.com.
- Localice el ID del dispositivo APak® en el adhesivo superior.

Pasos para la conexión:

1. Conecte la alimentación de CA a la APak® (ver nota a continuación para instalaciones solo con baterías[^]). El LED de Z Control® parpadeará y luego se apagará, indicando que la APak® está en modo AP* y que está transmitiendo el SSID (ver figura H). Si el LED parpadea pero no está en modo AP, presione el botón de Silencio durante 12 segundos y suéltelo o mantenga presionado el botón de Silencio mientras conecta la alimentación de CA. El LED se apagará para indicar que la APak® está en modo AP.

Figura H

Este LED debe estar apagado cuando la APak® esté en modo AP.

El LED parpadeará cuando el usuario está conectado a la APak® para configurar el Wi-Fi®.

Este LED se quedará fijo cuando la APak® esté conectada al router y a la Z Control® Cloud.

Se debe usar alimentación de CA para que el modo AP funcione.



*El modo AP es cuando la APak® transmite su "nombre" o SSID. El SSID está incluido en el formato ZCTL_APAK_xxxx, donde "xxxx" son los primeros 4 dígitos del ID de su dispositivo APak®. El SSID de la APak® aparecerá en la lista de Wi-Fi® disponibles en su teléfono/tableta/computadora y al seleccionarlo le dará conectividad directa a la APak®. Esto es necesario para que su APak® reciba las credenciales necesarias de la contraseña para conectarse al Wi-Fi® que elija.

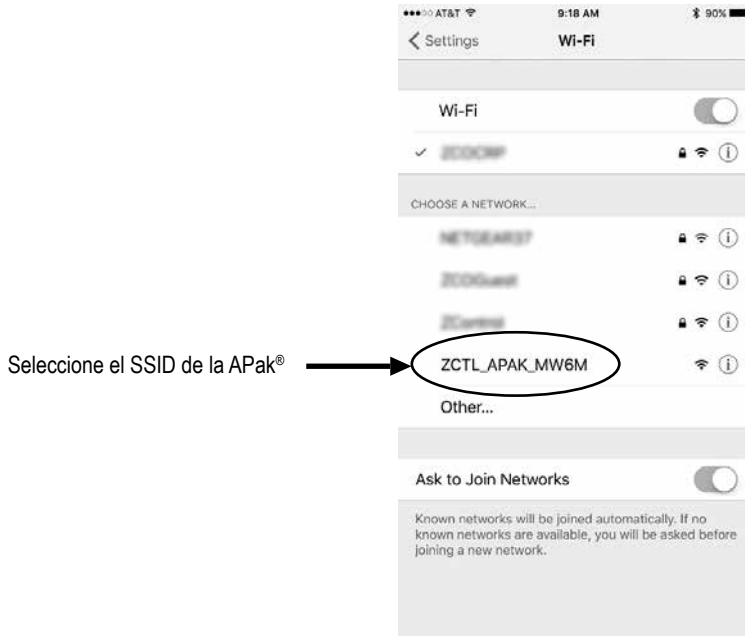
[^]Modo solo batería. La APak® no transmitirá un SSID si solo está alimentado por baterías (CC). Debe tener alimentación de CA para transmitir un SSID. Una vez la APak® esté conectada al Wi-Fi®, se puede quitar la alimentación CA si se desea. Dado que la APak® ha recibido previamente alimentación de CA y luego se la ha desconectado, la APak® emitirá un pitido cada 30 segundos indicando la falta de energía. Para solucionarlo, quite las baterías por un momento y luego vuelva a colocarlas. La APak® ya no sonará por la falta de alimentación CA (a menos que se vuelva a aplicar y quitar energía de CA). Los LED y la alarma tendrán comportamientos diferentes a cuando esté conectada a la alimentación de CA para conservar la energía de la batería. En el modo solo batería, la APak® ingresará a la nube del Z Control® con mucha menos frecuencia para que las baterías puedan durar aproximadamente 1 año.

2. Párese cerca de la APak® y use su teléfono, tableta o computadora para buscar el SSID de la APak® en la configuración de su Wi-Fi® (ver figura I). Aparecerá como "ZCTL_APAK_xxxx", donde "xxxx" son los primeros 4 dígitos del ID de su dispositivo APak®. Selecciónelo y aparecerán 2 cosas:

1. El LED de Z Control® parpadeará rápidamente.
2. Luego de unos segundos, se abrirá la pantalla de configuración del Z Control®.

Si la pantalla de configuración no aparece, abra un navegador en el mismo dispositivo y escriba "zconfig.zoeller.com" o "192.168.125.1" en la barra de direcciones. Si la pantalla de configuración aparece pero no es utilizada (si se cancela o se cierra), la APak® volverá al modo AP y el LED del Z Control® se apagará hasta que se intente la configuración Wi-Fi® de nuevo.

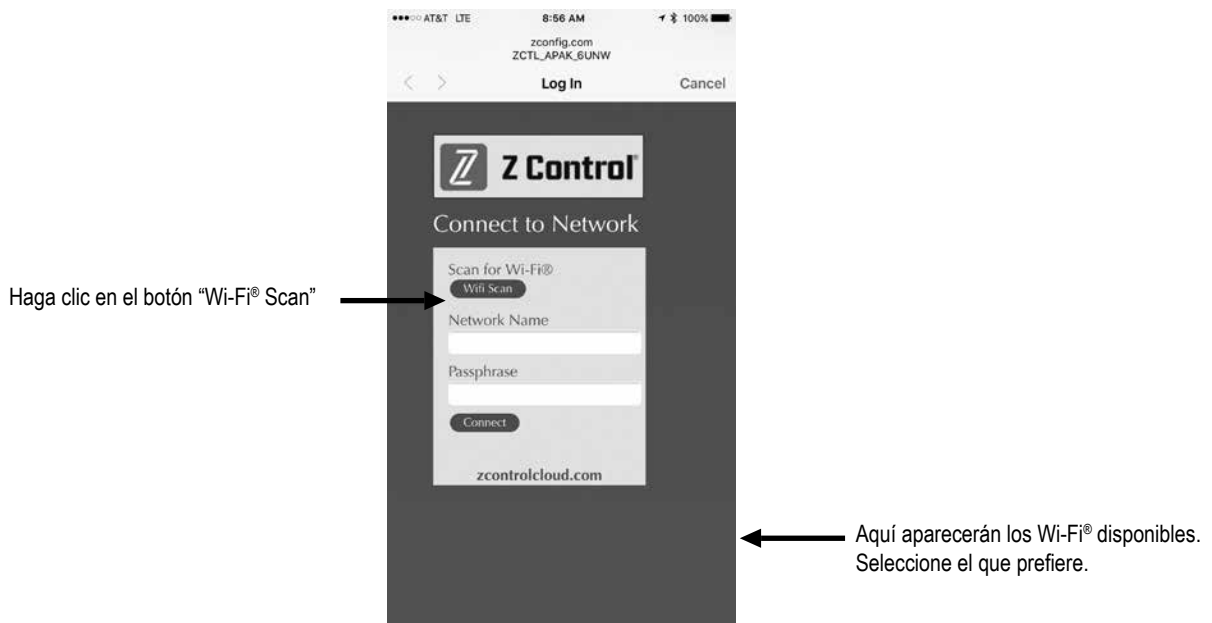
Figura I



3. En la pantalla de configuración (ver figura J), presione el botón "Wi-Fi® Scan", deslícese hacia abajo para ver la lista de señales de Wi-Fi® disponibles y elija el Wi-Fi® que quiere usar para que la APak® tenga conexión a Internet. Ingrese la contraseña del router que eligió en el campo indicado. Si la contraseña es correcta, la APak® se conectará al router y comenzará a enviar actualizaciones de estado a zcontrolcloud.com. Verá que el LED del Z Control® deja de parpadear y se queda fijo. Esto puede demorar alrededor de un minuto.

Si el LED no queda fijo, entonces la contraseña ingresada es incorrecta, la seguridad del router es insuficiente (ver la nota a continuación***), o existe algún tipo de restricción de red (consultar con el administrador de red). La APak® volverá al modo AP si la conexión al router no tuvo éxito. Si necesita volver a poner la APak® en el modo AP, presione el botón de Silencio durante 12 segundos O mantenga presionado el botón de Silencio mientras conecta la alimentación de CA. Cualquiera de estos métodos hará que la APak® vuelva a ponerse en modo AP y comience a transmitir su SSID nuevamente.

Figura J

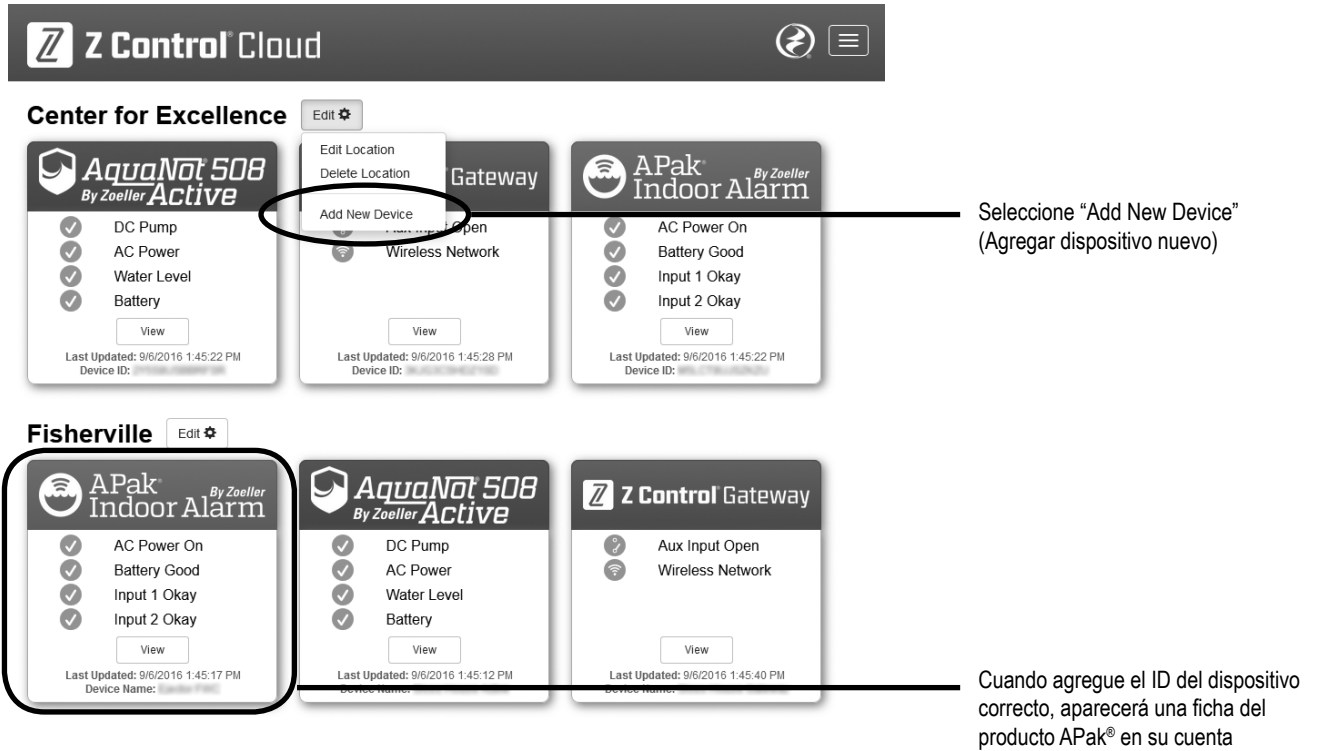


***Tenga en cuenta que la APak® no se conectará a los routers "ABIERTOS" O con seguridad "WEP".

- Una vez que el LED del Z Control® de la APak® se quede fijo, ingrese a su cuenta (o cree una) en zcontrolcloud.com (ver Figura K). Haga clic en el botón Edit (Editar) cerca de una Location (Ubicación) y seleccione "Add New Device" (Añadir nuevo dispositivo). Siga las instrucciones para agregar su APak®, ya sea a través de la detección automática o el ingreso del ID del dispositivo. Cuando lo haya logrado, aparecerá en su cuenta la ficha del producto APak®.

La APak® tiene capacidad para recibir actualizaciones de firmware de forma inalámbrica ("over the air"). Es posible que la APak® haga una actualización de inmediato si hay alguna disponible en la Z Control®Cloud. Durante la actualización, el LED de Z Control® parpadeará por hasta 1 minuto mientras se descarga la actualización. El LED del Z Control® se quedará fijo y todos los otros LED se apagarán durante la instalación de la actualización. Luego de hasta 1 minuto, la APak® se reiniciará y volverá a funcionar normalmente. El historial de alertas de la APak® en la Z Control®Cloud también se actualizará con la información de actualización del firmware y se enviarán notificaciones a las cuentas de correo electrónico.

Figura K



¡Felicitaciones! Su APak® está en línea. Ahora puede abrir la configuración del producto al hacer clic en el botón "View" (Ver) para modificar las configuraciones del dispositivo y notificaciones de la APak®.

También puede instalar la aplicación móvil Z Control® en su dispositivo móvil (versiones disponibles en iOS y Android, busque "Z Control" en las tiendas de aplicaciones). Esta aplicación facilita el acceso a la información del dispositivo. También se incluyen las funciones de Silencio, Restablecer y Prueba. La aplicación no está diseñada actualmente para configurar el Wi-Fi®, crear una cuenta o agregar dispositivos. Estos pasos solo se pueden llevar a cabo a través de una interfaz web (se puede usar un dispositivo móvil para acceder a la interfaz web). La configuración de la APak® para usarla con su Wi-Fi® se realiza conectándose al Wi-Fi® interno de la APak® (como se indicó anteriormente en Pasos para la conexión).

COMPORTAMIENTO DE LOS LED APak®, BOTÓN, ALARMA Y Z CONTROL®

		Modos CA y CC	Modo CA solamente	Modo CC solamente
Comportamiento de los LED y las alarmas	LED de alimentación	El LED de alimentación se enciende cuando hay presencia de alimentación CA y CC	El LED de alimentación se enciende cuando hay presencia de alimentación CA	El LED de alimentación se apagan cuando solo se han colocado baterías, pero parpadeará cuando se presione el botón
	Entrada 1 o entrada 2 en la alarma	LED de entrada encendido fijo. La alarma hace tres pitidos continuamente.	LED de entrada encendido fijo. La alarma hace tres pitidos continuamente.	El LED de entrada parpadea y la alarma hace dos pitidos cada 5 segundos
	Alarma de batería baja.	El LED de alimentación parpadea. La alarma hace tres pitidos cada 5 segundos.	--	El LED de alimentación parpadea y la alarma pita cada 10 segundos
	Alarma de corte de energía	Todos los LED se apagan para conservar batería. El LED de alimentación parpadea y la alarma hace dos pitidos cada 30 segundos.	--	--
	LED de Z Control®	El LED está fijo cuando está conectado al router y a la nube del Z Control®. El LED está apagado cuando APak® está en modo AP.* El LED parpadea cuando la configuración del Wi-Fi® está en proceso. El LED parpadea más rápido si la APak® está intentando volver a conectarse a un router conocido. El LED alterna entre parpadeo rápido y lento cuando la APak® está conectada a un router pero se pierde la conexión a Internet.	El LED está fijo cuando está conectado al router y a la nube del Z Control®. El LED está apagado cuando APak® está en modo AP.* El LED parpadea cuando la configuración del Wi-Fi® está en proceso. El LED parpadea más rápido si la APak® está intentando volver a conectarse a un router conocido. El LED alterna entre parpadeo rápido y lento cuando la APak® está conectada a un router pero se pierde la conexión a Internet.	Para conservar la energía de la batería, el LED de Z Control® es tenue cuando está conectado al router y a la nube del Z Control® y está apagado cuando el módulo Wi-Fi® está en modo de energía baja. Se requiere alimentación de CA para la configuración de Wi-Fi® (ver instrucciones). Para probar la conectividad, active una Entrada
Botón de silencio	Presionar/Soltar	Silencia las alarmas. El LED de la alarma se queda encendido (o parpadea) hasta que se reinicie la APak®.	Silencia las alarmas. El LED de la alarma se queda encendido (o parpadea) hasta que se reinicie la APak®.	Silencia la alarma. El LED parpadea cada 5 segundos hasta que se reinicie la alarma. En modo de espera, hará un pitido corto para indicar que la APak® está lista.
	Presionar por 2 segundos	Reinicia cualquier alarma activa y regresa la APak® al modo de espera.	Reinicia cualquier alarma activa y regresa la APak® al modo de espera.	Reinicia cualquier alarma activa y regresa la APak® al modo de espera.
	Presionar por 4 segundos	Inicia una prueba de LED y alarma. Parpadeará y hará pitidos dobles 3 veces.	Inicia una prueba de LED y alarma. Parpadeará y hará pitidos dobles 3 veces.	Inicia una prueba de LED y alarma. Parpadeará y hará pitidos dobles 3 veces.
	Mantener presionado al conectar la APak® a la alimentación CA	La APak® entrará al modo AP*. Para que la APak® regrese a los ajustes de Wi-Fi® anteriores, apague y vuelva a encender.	La APak® entrará al modo AP*. Para que la APak® regrese a los ajustes de Wi-Fi® anteriores, apague y vuelva a encender.	La APak® entrará al modo AP*. Para que la APak® regrese a los ajustes de Wi-Fi® anteriores, apague y vuelva a encender. Ver arriba la nota sobre "Modo batería solamente".
	Mantener presionado 12 segundos	Restablece los ajustes de fábrica de la APak®, elimina también las configuraciones de Wi-Fi®. La APak® entrará al modo AP*.	Restablece los ajustes de fábrica de la APak®, elimina también las configuraciones de Wi-Fi®. La APak® entrará al modo AP*.	Restablece los ajustes de fábrica de la APak®, elimina también las configuraciones de Wi-Fi®.
Comunicaciones y duración de la batería	Comunicación con la Z Control® Cloud	La comunicación es casi continua.	La comunicación es casi continua.	Se limita a una vez por día para conservar la carga de la batería
	Pérdida de la comunicación con la Z Control® Cloud	Después de 10 minutos sin comunicación, se envía una notificación al usuario.	Después de 10 minutos sin comunicación, se envía una notificación al usuario.	Después de 24 horas sin comunicación, se envía una notificación al usuario
	Condición de la alarma presente	Comunicación inmediata a la Z Control® Cloud	Comunicación inmediata a la Z Control® Cloud	Comunicación inmediata a la Z Control® Cloud
	Salida auxiliar	Se activa por alarmas de entrada 1, entrada 2, corte de energía y batería baja	Se activa por alarmas de entrada 1 y entrada 2	No funciona*
	Vida útil de la batería	De 1 a 2 años con uso normal	--	Aproximadamente 1 año con uso normal

*El modo AP es cuando la APak® transmite su "nombre" o SSID. El SSID está incluido en el formato ZCTL_APak_XXXX, donde "XXXX" son los primeros 4 dígitos del ID de su dispositivo APak®. El SSID de la APak® aparecerá en la lista de Wi-Fi® disponibles en su teléfono/tableta/computadora y al seleccionarlo le dará conectividad directa a la APak®. Esto es necesario para que su APak® reciba las credenciales necesarias de la contraseña para conectarse al Wi-Fi® que elija.

Esta es una traducción de las instrucciones de instalación originales.



CORREO A: P.O. BOX 16347 • Louisville, KY 40256-0347 EEUU
ENVÍOS A: 3649 Cane Run Road • Louisville, KY 40211-1961 EEUU
TEL: +1 (502) 778-2731 • *FAX:* +1 (502) 774-3624

Confiable. Probado. Resistente.™

Visite a nuestro sitio web:
zoellerpumps.com

Les renseignements présentés dans ce document représentent les conditions au moment de la publication. Consulter l'usine en cas de désaccord et de manque de cohérence.



ADRESSE POSTALE : P.O. BOX 16437 • Louisville, KY 40256-0347 USA
 ADRESSE PHYSIQUE : 3649 Cane Run Road • Louisville, KY 40211-1961 USA
 TÉL : +1 (502) 778-2731 • FAX : +1 (502) 774-3624

Visitez notre site internet :
zoellerpumps.com



APak®



Z Control® Activé

INSTRUCTIONS D'INSTALLATION DE L'ALARME

Usage intérieur uniquement.

Tous les codes de l'électricité et de sécurité ainsi que le code national de l'électricité et tous les codes et règlements locaux applicables doivent être respectés.

Ne pas brancher les diapositives à l'entrée.

SPÉCIFICATIONS

Cette alarme surveille les niveaux du liquide dans les chambres de pompe, les cuves de pompe de puisard, les réservoirs de retenue et autres applications d'eau non potable. Elle dispose d'un voyant DEL vert « En marche », de voyants d'entrée rouges 1 et 2, d'une sonnerie, des contacts secs normalement fermés et d'un bouton Silence / Réinitialisation / Test. L'alarme APak® se branche dans une fiche de 120 V et 60 Hz. L'alimentation de la batterie de secours se fait par deux piles alcalines standard AA, qui ne sont pas fournies et doivent être achetées séparément.

INSTALLATION DE L'ALARME

- 1) Avant d'installer l'alarme, retirez les 4 vis du couvercle afin d'accéder au compartiment des piles (voir Figure B) et installez les deux piles AA, non fournies.
- 2) Montez l'alarme avec les vis et les boulons.
- 3) Branchez le connecteur cylindrique du transformateur dans l'alarme APak®. Attachez le cordon d'alimentation afin qu'il n'interfère pas avec d'autres appareils.
- 4) **REMARQUE** : Un signal sonore indique la fin de cette étape.
 Branchez le transformateur dans une fiche standard 120 V c.a. et 60 Hz.
REMARQUE : L'alarme APak® doit être connectée à un circuit séparé du circuit de la pompe.

Pour certaines installations, l'alarme APak® doit être alimentée uniquement par des piles ou une alimentation par courant alternatif. Afin que l'alarme fonctionne normalement dans de telles installations, suivez le tableau suivant.

Choix d'alimentation	Comportement de l'alarme correspondant	À faire
Courant alternatif et piles	Alarmes de panne d'alimentation et de piles faibles.	Insérer les piles et se connecter à l'alimentation.
Courant alternatif uniquement	Alarme de batterie faible désactivée.	Tenir le bouton enfoncé pendant que l'alarme est sous tension pour une durée d'environ cinq (5 secondes) jusqu'à ce qu'un bip simple se fait entendre et puis relâcher le bouton. Ce réglage sera retenu par l'alarme même après qu'une panne de courant s'est produite. Si ce réglage n'est plus souhaité, simplement ajouter des piles supprimera le réglage.
Piles uniquement*	Alarme de panne d'alimentation désactivée.	Insérez les piles. L'alarme ne détectera pas le courant alternatif s'il n'est pas appliqué.

*Les DEL, alarme et connectivité Z Control® se comportent différemment en mode d'alimentation par piles. Se référer au tableau de la page 23.

Figure A

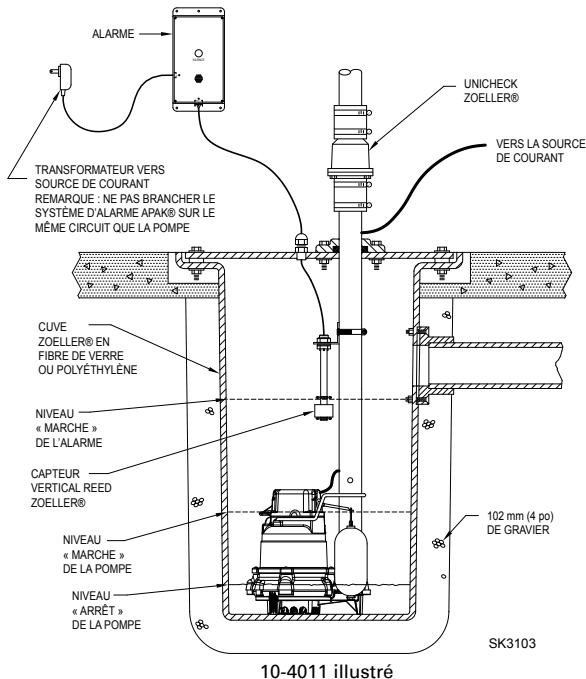
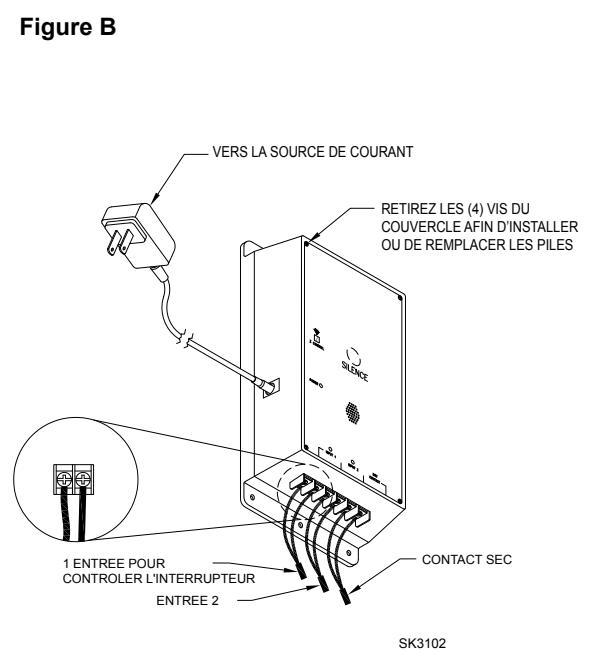


Figure B



GARANTIE LIMITÉE

Le fabricant garantit à l'acheteur et au propriétaire ultérieur pendant la période de garantie, tout produit neuf contre tout vice de matériel et de main-d'œuvre, en utilisation normale et quand utilisé et entretenu correctement, pendant une période de cinq ans à compter de la date de l'achat par l'utilisateur final. Les pièces devenant défectueuses pendant la période de garantie, et que des inspections prouvent contenir des vices de fabrication ou de main-d'œuvre, seront réparées, remplacées ou renouvelées au choix du Fabricant, à condition qu'en faisant cela nous ne soyons pas obligés de remplacer l'ensemble, le mécanisme complet ou l'appareil complet. Aucune provision n'est faite pour les frais d'expédition, les dégâts, la main-d'œuvre ni d'autres frais causés par la défaillance, la réparation ou le remplacement du produit.

Cette garantie ne s'applique pas et ne couvre aucun matériel ou produit qui a été démonté sans l'autorisation préalable du Fabricant, soumis à un usage abusif, des applications incorrectes, de la négligence, des modifications, des accidents ou un cas de force majeure ; qui n'a pas été installé, utilisé ou entretenu selon les instructions d'installation du Fabricant; qui a été exposé, y compris, mais non de façon limitative, à du sable, des gravillons, du ciment, de la boue, du goudron, des hydrocarbures ou des dérivés d'hydrocarbures (huile, essence, solvants, etc.) ou à d'autres produits abrasifs ou corrosifs, serviettes ou produits d'hygiène féminine etc., dans toutes les applications de pompage. La garantie mentionnée ci-dessus remplace toutes les autres

garanties expresses ou implicites et nous n'autorisons aucun représentant ou autre personne à accepter la responsabilité en notre nom pour nos produits.

Prendre contact avec le Fabricant, 3649 Cane Run Road, Louisville, KY 40211 USA, à l'attention du Customer Support Department, pour obtenir des réparations, des pièces de remplacement ou des renseignements supplémentaires concernant la garantie.

LE FABRICANT REFUSE EXPRESSÉMENT TOUTE RESPONSABILITÉ POUR LES DÉGÂTS SPÉCIAUX, INDIRECTS OU SECONDAIRES OU POUR LES RUPTURES DE GARANTIE EXPRESSES OU IMPLICITES; ET TOUTE GARANTIE IMPLICITE D'APPLICABILITÉ À UNE UTILISATION SPÉCIFIQUE OU DE COMMERCIALITÉ EST LIMITÉE À LA DURÉE DE LA GARANTIE EXPRESSE.

Certaines provinces ne permettent pas les limitations de la durée de la garantie implicite et il est possible que cette limitation ne s'applique pas. Certaines provinces ne permettent pas l'exclusion ou la limitation des dégâts secondaires ou indirects, et il est possible que cette limitation ou exclusion ne s'applique pas.

Cette garantie vous donne des droits spécifiques reconnus par la loi et vous pouvez également avoir d'autres droits qui varient d'une province à l'autre.

INSTALLATION DE L'INTERRUPTEUR À COMMANDE

CAPTEUR VERTICAL REED (10-4013)

AVERTISSEMENT NE PAS installer le capteur en ligne directe avec un liquide entrant.

- 1) Fixez le capteur au support de fixation à angle droit en dévissant l'écrou en plastique. Resserrez l'écrou en plastique après avoir inséré la tige du capteur dans le support (voir Figure C).
- 2) Placez le capteur au niveau d'activation souhaité et fixez le support de montage à la conduite d'évacuation comme illustré (voir les Figures C, D et E) à l'aide du collier de serrage fourni.

REMARQUE : NE PAS installer le cordon sous le collier du tuyau.

- 3) Fixez le cordon du capteur à la conduite d'évacuation. Assurez-vous qu'aucun cordon desserré ne frotte contre ou n'obstrue d'autres dispositifs de l'ensemble de la cuve.

REMARQUE : Créez un réducteur de tension en attachant le cordon de l'interrupteur de commande en fixant une boucle de 5 cm (2 po) de cordon sur le tuyau, avec une attache de câble ou du ruban. Assurez-vous que le flotteur du capteur se déplace vers le haut et vers le bas sans interférence.

COLLIER ET DÉTAIL DE BRIDE

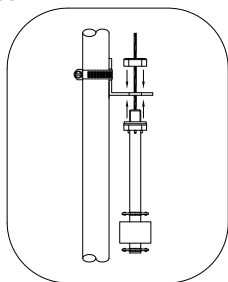


Figure C

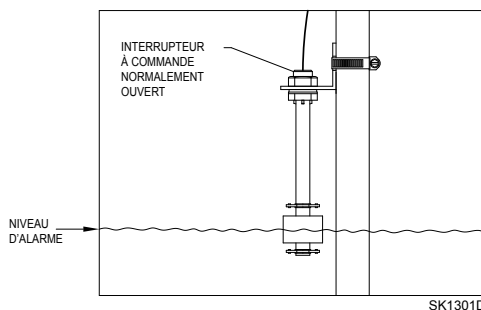


Figure D

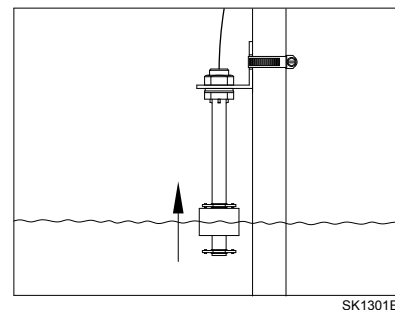


Figure E

REMARQUE : Un système d'alarme 10-4014 est recommandé pour les applications d'eaux usées. Si un système 10-4013 est utilisé dans une application d'eaux usées, le flotteur doit être vérifié et nettoyé si nécessaire après un incident de niveau d'eau élevé.

INTERRUPTEUR MÉCANIQUE À FLOTTEUR (10-4014)

- 1) Placez le cordon dans le collier et fixez-le à la conduite d'évacuation comme illustré sur le détail du collier (voir Figure F). **REMARQUE :** Ne pas installer le cordon sous le collier.
- 2) Serrez le collier à l'aide d'un tournevis. **REMARQUE :** Faites attention de ne pas trop serrer car le collier en plastique risque d'être endommagé.
- 3) Assurez-vous que le câble du flotteur ne touche pas l'extrémité du collier durant le fonctionnement.
- 4) L'interrupteur à flotteur doit être suspendu à 17,8 cm (7 po) au-dessus du niveau d'activation souhaité. (voir Figure G)
- 5) S'assurer que le flotteur a été installé sans obstruer son mouvement.

POMPE DE LEVAGE

Suspendez l'interrupteur de commande au-dessus du niveau marche de la pompe. Si la défaillance de la pompe engendre une condition de niveau élevé, le système d'alarme APak® sera activé (voir Figure A).

RÉSERVOIR DE RETENUE

Suspendez l'interrupteur de commande dans le réservoir 17,8 cm (7 po) au-dessus du niveau souhaité de l'alarme. Le système d'alarme APak® s'activera si le flotteur monte au niveau de l'alarme (voir Figure G).

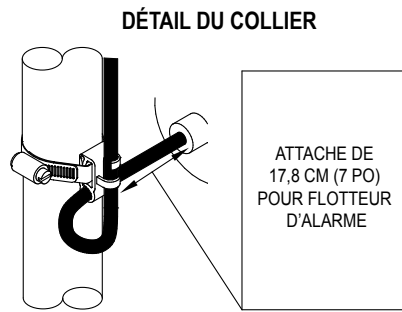


Figure F

SK1301F

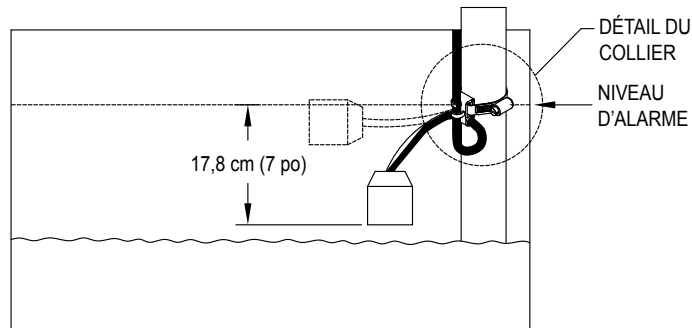


Figure G

SK1301G

CÂBLAGE DE L'INTERRUPTEUR DE COMMANDE/MÉCANIQUE

Connecter les deux conducteurs de l'interrupteur de commande ou mécanique à l'une des paires de bornes en bas de l'unité de l'alarme (voir figure B). L'interrupteur de commande fonctionne sur tension basse afin de réduire les risques de choc électrique. L'entrée 2 peut servir pour relier un deuxième interrupteur ou contacts secs à un autre dispositif.

FONCTIONNEMENT ET TEST

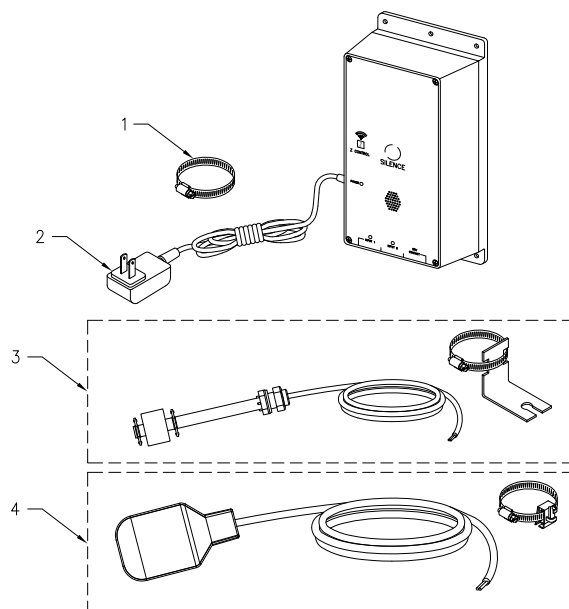
Vérifiez et testez votre installation en levant manuellement le flotteur (voir figure E ou G). L'unité d'alarme indiquera une condition d'alarme en émettant un bip et en allumant une DEL rouge au-dessus de « Input 1 ». L'alarme peut être mise en silence durant 24 heures en appuyant brièvement sur le bouton « Silence ». Une fois en silence, la DEL change et clignote alors que la sirène ne retentira plus. Une fois la condition d'eau élevée résolue, l'alarme devra être réinitialisée en maintenant le bouton « Silence » pendant au moins 3 secondes. Zoeller Company ne peut être tenu responsable de dommages causés par une installation défectueuse ou mal réalisée de ce dispositif. Nous vous suggérons respectueusement d'utiliser les services d'un électricien professionnel et qualifié. Une fois par semaine, maintenez le bouton « Silence » pendant 3 secondes afin de tester le bon fonctionnement de l'alarme.

Pour les dispositifs sans connexion Internet, voir l'APak® standard 10-4011, 10-4012.

Pendant une panne de courant, l'APak® émet un bruit toutes les 30 secondes jusqu'à ce que le courant soit rétabli. Si une alarme de niveau d'eau élevé se produit pendant une panne de courant et lorsque des piles sont présentes, l'alarme retentira toutes les 5 secondes.

*« 24 heures » est le réglage par défaut. Ce paramétrage et d'autres peuvent être modifiés à partir du Z Control® Cloud.

		Modèles	10-4013-A	10-4014-A
Réf.	Description	Quant.	3/16 à courant	3/16 à courant
1	Collier, #36 Worm-AI	1	001766	001766
2	Alimentation (pièce)	1	154018	154018
3	Interrupteur, vertical reed (pièce)	1	154033	--
4	Interrupteur, flotteur mécanique	1	--	10-2060



SK3113

RACCORDEMENT DE L'ALARME APak® AU Z CONTROL®

En raccordant l'APak® au Z Control® Cloud à l'aide du Wi-Fi® intégré, l'utilisateur peut paramétrer des messages gratuits d'alerte par courriel, message texte et notifications sur le téléphone mobile. De plus, l'utilisateur peut vérifier l'état de fonctionnement de l'APak®, arrêter à distance l'avertisseur sonore de l'alarme et réinitialiser l'unité, configurer les données et modifier le moyen d'envoi des notifications. D'autres renseignements visuels tels que l'état des données et le niveau de la batterie sont disponibles en ligne et par le biais des interfaces des applications.

Avant de commencer :

- Vous devez connaître le nom de votre routeur Wi-Fi® (c.-à-d. son SSID) et son mot de passe. Vérifier l'exactitude du mot de passe, l'orthographe et les majuscules. Vous éviterez ainsi un problème très habituel.
- Vérifiez que votre routeur Wi-Fi® est connecté à Internet.
- Vérifiez que votre téléphone, tablette ou ordinateur dispose du Wi-Fi®, peut se connecter à votre routeur Wi-Fi® et que vous pouvez être près de l'APak® pendant le processus d'installation.
- Créez un compte gratuit sur zcontrolcloud.com.
- Vous trouverez l'identification de l'alarme APak® sur l'autocollant supérieur.

Étapes de connexion :

1. Appliquer une alimentation c.a. au système APak® (voir la note sur l'installation par piles uniquement). Le voyant DEL du Z Control® clignote puis s'éteint pour indiquer que l'alarme APak® est en mode AP* et transmet un SSID (voir figure H). Si le voyant LED clignote et n'est pas en mode AP, appuyez soit sur le bouton Silence pendant 12 secondes puis relâchez OU maintenez le bouton Silence tout en appuyant sur l'alimentation c.a. Le voyant DEL s'éteint pour indiquer que l'alarme APak® est en mode AP.

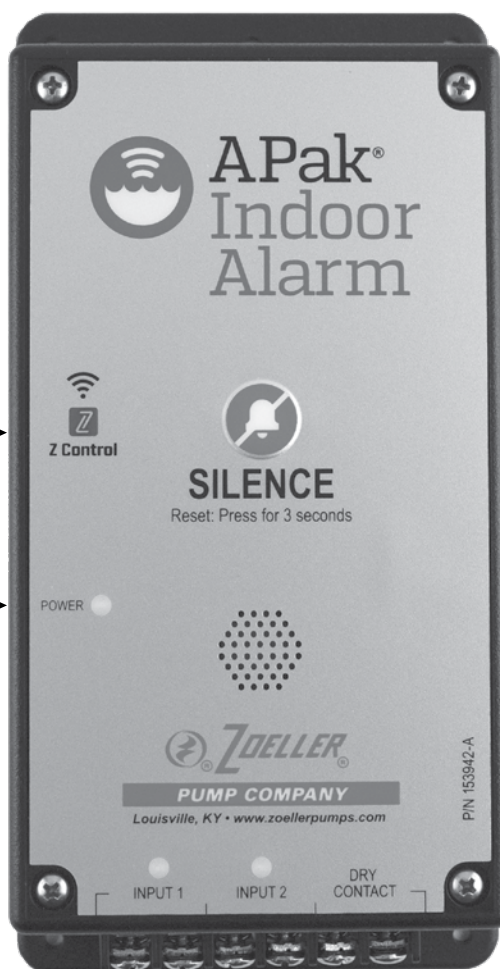
Figure H

Ce voyant DEL doit être éteint lorsque l'alarme APak® est en mode AP.

Lorsque l'utilisateur est connecté à l'alarme APak® pour paramétrer la connexion Wi-Fi®, la DEL clignote.

Lorsque l'alarme APak® est connectée au routeur et au Z Control® Cloud, ce voyant reste allumé.

L'alimentation c.a. doit être utilisée pour fonctionner en mode AP



*Le mode AP signifie que l'alarme APak® diffusera son « nom » ou SSID. Le SSID est au format ZCTL_APak_xxxx, « xxxx » étant les quatre premiers chiffres de l'identifiant de l'alarme APak®. Le SSID de l'alarme APak® s'affichera sur la liste des Wi-Fi® disponibles de votre téléphone / tablette / ordinateur, et en le sélectionnant, vous serez directement connecté à l'alarme APak®. Cette connexion est nécessaire pour transmettre le mot de passe de votre APak® pour se connecter au Wi-Fi® de votre choix.

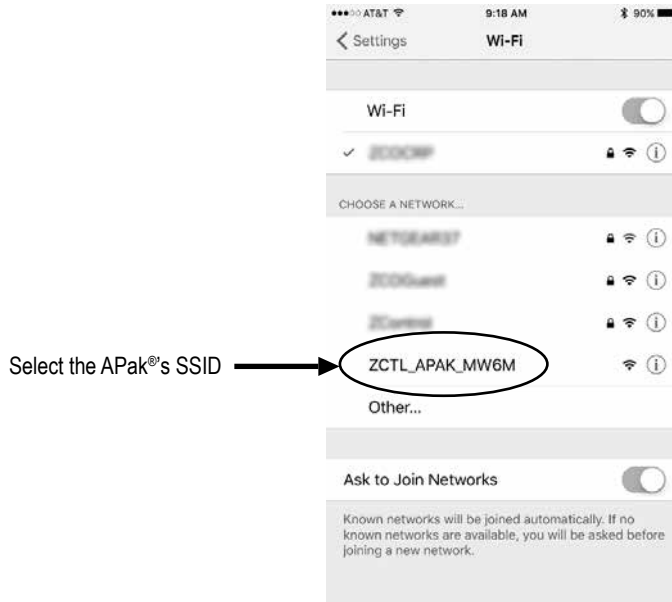
Mode pile uniquement. L'APak® ne diffusera pas le SSID lorsqu'elle est alimentée uniquement par les piles (c.c.). Elle doit disposer d'une alimentation c.a. pour diffuser le SSID. Une fois l'APak® connecté au Wi-Fi®, l'alimentation c.a. peut être retirée si souhaité. Étant donné que l'alarme APak® a été précédemment alimentée en c.c. et que cette alimentation a été retirée, l'alarme APak® émet un bip sonore toutes les 30 secondes pour indiquer une panne d'alimentation. Pour y remédier, retirez les piles pour couper l'alimentation par pile pendant un moment, puis réinsérez-les. L'alarme APak® ne se déclenchera plus pour les pannes d'alimentation c.a. (sauf si l'alimentation c.a. est appliquée puis retirée). Les voyants DEL et l'alarme se comporteront différemment en la présence de l'alimentation c.a. afin de conserver l'alimentation par pile. En mode pile uniquement, l'APak® vérifiera le Z Control® Cloud bien moins souvent afin de préserver les piles et pour les faire durer au moins pendant un an.

2. En vous tenant près de l'alarme APak®, utilisez votre téléphone, tablette ou ordinateur pour chercher le SSID de l'alarme APak® dans vos paramètres Wi-Fi® (voir figure I). Il ressemblera à « ZCTL_APAK_xxxx », « xxxx » étant les quatre premiers chiffres de l'identifiant de l'alarme APak®. Deux choses se produisent lorsque vous sélectionnez le SSID :

1. Le voyant du Z Control® clignotera rapidement.
2. L'écran de configuration du Z Control® s'affichera après quelques secondes.

Si l'écran de configuration ne s'affiche pas, ouvrez un navigateur sur le même dispositif et tapez « zconfig.zoeller.com » ou « 192.168.125.1 » dans la barre d'adresse. Si l'écran de configuration s'affiche, mais n'est pas utilisé (annulé ou fermé), l'alarme APak® reviendra en mode et la DEL Z Control® s'éteindra jusqu'à la prochaine tentative de configuration de la Wi-Fi®.

Figure I



3. Sur l'écran de configuration (voir la figure J), appuyez sur le bouton « Wi-Fi® Scan », faites dérouler le menu pour voir la liste des signaux Wi-Fi® trouvés et sélectionnez le Wi-Fi® que vous souhaitez que l'alarme APak® utilise pour la connexion Internet. Saisissez le mot de passe du routeur que vous sélectionnez dans le champ indiqué. Si le mot de passe est juste, l'alarme APak® se connectera au routeur et transmettra des états de mise à jour à zcontrolcloud.com. Le voyant DEL du Z Control® restera allumé au lieu de clignoter. Cela peut prendre une minute voire un peu plus.

Si la DEL ne s'allume pas en continu, alors le mot de passe saisi est erroné, la sécurité du routeur est insuffisante (voir la remarque ci-dessous**), ou une autre restriction de réseau est en place (consulter votre administrateur réseau). L'alarme APak® reviendra en mode AP si la connexion au routeur ne réussit pas. Si vous devez forcer l'alarme APak® à passer en mode AP, appuyez soit sur le bouton Silence pendant 12 secondes puis relâchez ou maintenez le bouton Silence tout en appuyant sur l'alimentation c.a.. L'une de ces méthodes permettra à l'APak® de revenir en mode AP et de transmettre son SSID à nouveau.

Figure J

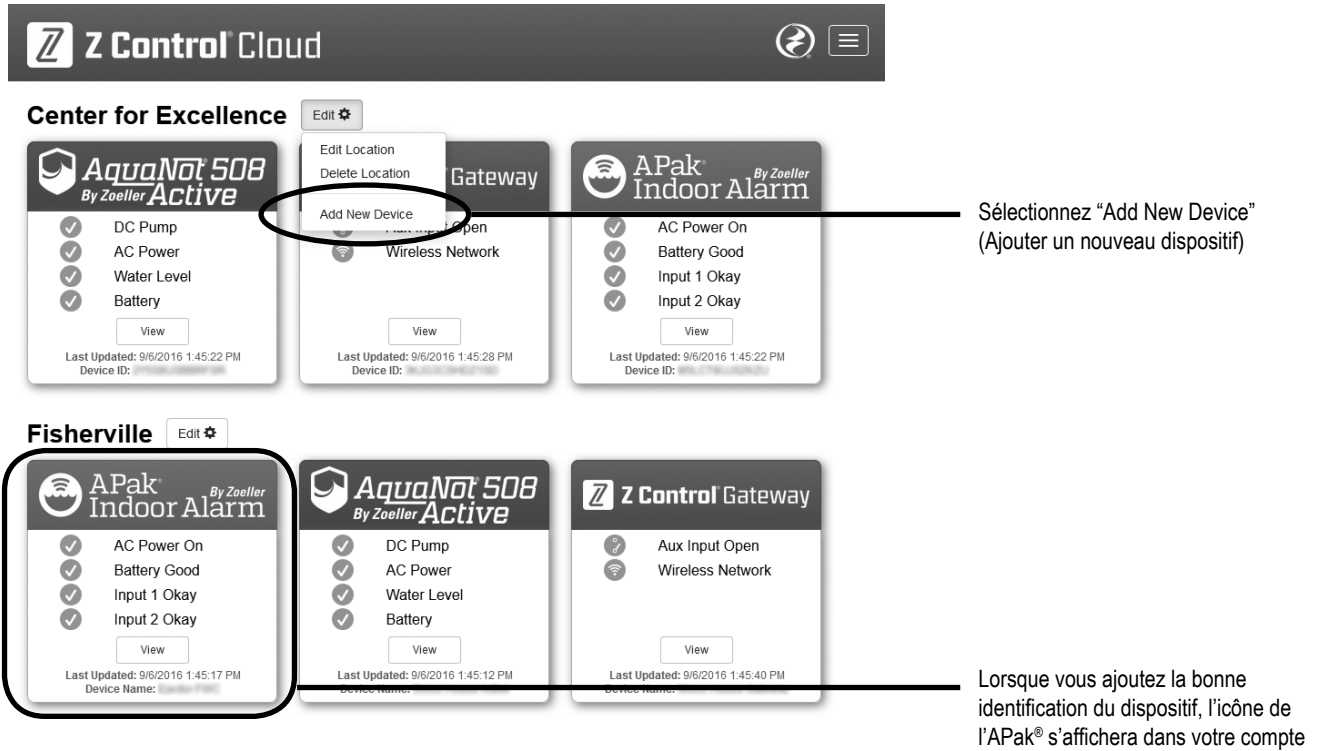


**Veuillez remarquer que l'APak® ne se connectera pas aux routeurs avec la sécurité « WEP » ou

- Une fois le voyant DEL du Z Control® de l'alarme APak® allumé en permanence, connectez-vous à votre compte (ou créez-en un) sur zcontrolcloud.com (voir Figure K). Allez sur votre compte (ou créez un compte) sur www.zcontrolcloud.com, cliquez sur le bouton « Ajouter un nouvel appareil ». Suivez les instructions pour ajouter votre APak® par autodétection ou en saisissant l'identification de votre dispositif. Une fois la connexion établie, l'icône de l'alarme APak® s'affichera dans votre compte.

L'APak® peut effectuer des mises à jour du micrologiciel mettre à jour « sur les ondes ». L'alarme APak® peut effectuer une mise à jour immédiate si elle est disponible dans le Z Control® Cloud. Si une mise à jour est en cours, le voyant DEL du Z Control® clignotera pendant au plus 1 minute pendant le téléchargement de la mise à jour. Le voyant DEL Z Control® restera allumé et tous les autres voyants DEL s'éteindront pendant l'installation de la mise à jour. Après 1 minute environ, l'alarme APak® redémarrera et reprendra un fonctionnement normal. L'historique des alertes de l'APak® sur le Z Control® Cloud sera également mis à jour avec les informations de la mise à jour du micrologiciel et une notification par courriel sera envoyée.

Figure K



Félicitations ! Votre alarme APak® est connectée. Vous pouvez maintenant ouvrir la configuration en cliquant sur le bouton « Afficher » pour modifier les paramètres du dispositif et de notification de l'APak®.

Vous pouvez également installer l'application mobile Z Control® sur votre dispositif mobile (disponible en version Android ou IOS, à chercher dans la boutique d'applications). Cette application vous permet d'accéder facilement aux données du dispositif. Les fonctions Silence, Réinitialisation et Test sont également comprises. L'application n'est pas actuellement conçue pour paramétrer la Wi-Fi®, créer un compte ou ajouter des dispositifs. Ces étapes peuvent uniquement être effectuées par une interface Internet (on peut accéder à l'interface Internet à l'aide d'un dispositif mobile). La configuration de l'alarme APak® pour utiliser votre Wi-Fi® est terminée une fois l'APak® connectée au Wi-Fi® interne (comme indiqué dans les étapes de connexion ci-dessus).

APAK® LED, BUTTON, ALARM, AND Z CONTROL® BEHAVIORS

		Mode c.a. et c.c.	Mode c.a. uniquement	Mode c.c. uniquement
Comportement des voyants DEL et de l'alarme	Voyant DEL de l'alimentation	Le voyant DEL de l'alimentation est allumé lorsque l'alimentation c.a. et c.c. est présente.	Le voyant DEL de l'alimentation est allumé lorsque l'alimentation c.a. est présente.	Le voyant DEL de l'alimentation est éteint uniquement lorsque seules des piles sont insérées, mais clignotera lorsque le bouton est appuyé.
	Entrée 1 ou 2 de l'alarme	Voyant DEL d'entrée fixe Alarme émet un triple bip en permanence.	Voyant DEL d'entrée fixe Alarme émet un triple bip en permanence.	Voyant DEL clignote et alarme émet un double bip toutes les 5 secondes.
	Alarme de batterie faible	Voyant DEL de l'alimentation clignote. Alarme émet un triple bip toutes les 5 secondes.	S.O.	Power LED blinks and alarm beeps every 10 seconds
	Alarme de panne d'alimentation	Tous les DEL s'éteignent pour conserver l'alimentation des piles. Voyant DEL clignote et alarme émet un double bip toutes les 30 secondes.	S.O.	S.O.
	DEL Z Control®	Le voyant DEL reste allumé lorsque l'alarme APak® est connectée au routeur et au Z Control® Cloud. Le voyant DEL est éteint lorsque l'alarme APak® est en mode AP*. Le voyant DEL clignote lorsque le processus de configuration Wi-Fi® est en cours. Le voyant DEL clignote plus rapidement si l'alarme APak® tente de se connecter à un routeur connu. Le voyant DEL alterne entre des clignotements rapides et lents lorsque l'alarme APak® est connectée au routeur, mais que la connexion est perdue.	Le voyant DEL reste allumé lorsque le dispositif est connecté au routeur et au Z Control® Cloud. Le voyant DEL est éteint lorsque l'alarme APak® est en mode AP*. Le voyant DEL clignote lorsque le processus de configuration Wi-Fi® est en cours. Le voyant DEL clignote plus rapidement si l'alarme APak® tente de se connecter à un routeur connu. Le voyant DEL alterne entre des clignotements rapides et lents lorsque l'alarme APak® est connectée au routeur, mais que la connexion est perdue.	Afin de préserver les piles, le voyant DEL du Z Control® s'allume faiblement pendant la connexion au routeur et s'éteint lorsque le module Wi-Fi® est en mode « consommation réduite ». L'alimentation c.a. est nécessaire pour la configuration Wi-Fi® (voir consignes). Pour tester la connectivité, déclenchez une entrée.
Bouton Silence	Appuyer / Relâcher	Arrête le signal sonore des alarmes. Le voyant DEL qui est en état d'alarme reste allumé (ou clignote) jusqu'à la réinitialisation de l'APak®.	Arrête le signal sonore des alarmes. Le voyant DEL qui est en état d'alarme reste allumé (ou clignote) jusqu'à la réinitialisation de l'APak®.	Arrête le signal sonore de l'alarme. Le voyant DEL clignote encore toutes les 5 secondes jusqu'à ce que l'alarme soit réinitialisée. En mode veille, un bip court est émis pour indiquer que l'alarme APak® est prête.
	Maintenir appuyé pendant 2 secondes	Réinitialise toute alarme active et l'alarme APak® repasse en mode veille.	Réinitialise toute alarme active et l'alarme APak® repasse en mode veille.	Réinitialise toute alarme active et l'alarme APak® repasse en mode veille.
	Maintenir appuyé pendant 4 secondes	Lance un test du voyant DEL et de l'alarme. Clignotement et émission d'un double bip 3 fois.	Lance un test du voyant DEL et de l'alarme. Clignotement et émission d'un double bip 3 fois.	Lance un test du voyant DEL et de l'alarme. Clignotement et émission d'un double bip 3 fois.
	Maintenir appuyé tout en appliquant l'alimentation c.a. à l'alarme APak®	L'alarme APak® passera en mode AP*. Pour que l'alarme APak® retrouve les paramètres Wi-Fi® précédents, remettez-la sous tension.	L'alarme APak® passera en mode AP*. Pour que l'alarme APak® retrouve les paramètres Wi-Fi® précédents, remettez-la sous tension.	L'alarme APak® passera en mode AP*. Pour que l'alarme APak® retrouve les paramètres Wi-Fi® précédents, remettez-la sous tension. Lire la note sur « mode piles uniquement ».
	Maintenir appuyé pendant 12 secondes	Réinitialisation aux paramètres d'usine, dont la suppression des paramètres Wi-Fi®. L'alarme APak® passera en mode AP*.	Réinitialisation aux paramètres d'usine, dont la suppression des paramètres Wi-Fi®. L'alarme APak® passera en mode AP*.	Réinitialisation aux paramètres d'usine, dont la suppression des paramètres Wi-Fi®.
Communications et durée de vie des piles	Communication avec Z Control® Cloud	La communication est presque permanente.	La communication est presque permanente.	Limitée à une fois par jour pour préserver les piles.
	Communication avec la perte du Z Control® Cloud	Notification envoyée à l'utilisateur après 10 minutes sans communication.	Notification envoyée à l'utilisateur après 10 minutes sans communication.	Notification envoyée à l'utilisateur après 24 heures sans communication.
	État de l'alarme Présent	Communication immédiate avec Z Control® Cloud	Communication immédiate avec Z Control® Cloud	Communication immédiate avec Z Control® Cloud
	Sortie auxiliaire	Déclenchée pour les alarmes d'entrée 1, d'entrée 2, et de panne d'alimentation et de piles faibles	Déclenchée pour les alarmes d'entrée 1, d'entrée 2	Ne fonctionne pas*
	Durée de la batterie	1 à 2 ans dans des conditions normales d'utilisation	S.O.	Environ 1 an dans des conditions normales d'utilisation

*Le mode AP signifie que l'alarme APak® diffusera son « nom » ou SSID. Le SSID est au format ZCTL_APAK_xxxx, « xxxx » étant les quatre premiers chiffres de l'identifiant de l'alarme APak®. Le SSID de l'alarme APak® s'affichera sur la liste des Wi-Fi® disponibles de votre téléphone / tablette / ordinateur, et en le sélectionnant, vous serez directement connecté à l'alarme APak®. Cette connexion est nécessaire pour transmettre le mot de passe de votre APak® pour se connecter au Wi-Fi® de votre choix.

Il s'agit ici d'une traduction des instructions d'origine.



ADRESSE POSTALE : P.O. BOX 16437 • Louisville, KY 40256-0347 USA
ADRESSE PHYSIQUE : 3649 Cane Run Road • Louisville, KY 40211-1961 USA
TÉL. : +1 (502) 778-2731 • **FAX :** +1 (502) 774-3624

Visitez notre site internet :
zoellerpumps.com

Fiable. Irréprochable. Durable.™

© Copyright 2018 Zoeller® Co. Tous droits réservés.