

Notice to installing contractor: Instructions must remain with installation.

Your Peace of Mind is Our Top Priority®

FM2676
0316
Supersedes
1114



PUMP COMPANY

Zoeller Family of Water Solutions™

MAIL TO: P.O. BOX 16347 • Louisville, KY 40256-0347
SHIP TO: 3649 Cane Run Road • Louisville, KY 40211-1961
(502) 778-2731 • 1 (800) 928-PUMP • FAX (502) 774-3624

visit our web site:
www.zoeller.com

Product information presented here reflects conditions at time of publication. Consult factory regarding discrepancies or inconsistencies.

Register your
Zoeller Pump Company
Product on our website:
<http://reg.zoellerpumps.com/>

INSTALLATION INSTRUCTIONS

RECOMMENDED MODELS

DATE INSTALLED:
MODEL NUMBER:

EFFLUENT*/SUMP/DEWATERING	SEWAGE
49 / 53 / 57 Series, 98 Series	264 Series
137 Series, 151 / 152 / 153 Series	266 / 267 / 268 Series



NOTICE: VENT HOLE FOR CHECK VALVE
SEE #3 IN CAUTION SECTION BELOW AND #4 ON PAGE 3

PIN 151797

* Effluent systems should specify that pumps should not handle solids exceeding 3/4" (19.1 mm) in order to prevent large solids from entering leaching fields, mound systems, etc. (Model 49 Series has 3/8" [9.5 mm] solids capability. 50, 90, and 151 Series have 1/2" [12.7 mm], 130 Series has 3/8" [15.9 mm], 152 and 153 models have 3/4" [19.1 mm].) Where code permits, sewage pumps can be used for effluent systems. Non-automatic pumps with external-level controls are recommended for septic tank effluent applications.

PREINSTALLATION CHECKLIST - ALL INSTALLATIONS

- Inspect your pump.** Occasionally, products are damaged during shipment. If the unit is damaged, contact your dealer before using. **DO NOT** remove the test plugs in the cover nor the motor housing.
- Carefully read the literature** provided to familiarize yourself with specific details regarding installation and use. These materials should be retained for future reference.

 WARNING SEE BELOW FOR LIST OF WARNINGS	 CAUTION SEE BELOW FOR LIST OF CAUTIONS
<ol style="list-style-type: none"> Make certain that the receptacle is within the reach of the pump's power supply cord. DO NOT USE AN EXTENSION CORD. Extension cords that are too long or too light do not deliver sufficient voltage to the pump motor. But, more important, they could present a safety hazard if the insulation were to become damaged or the connection end were to fall into the sump. Make sure the pump electrical supply circuit is equipped with fuses or circuit breakers of proper capacity. A separate branch circuit is recommended, sized according to the "National Electrical Code" for the current shown on the pump nameplate. Testing for ground. As a safety measure, each electrical outlet should be checked for ground using an Underwriters Laboratory Listed circuit analyzer which will indicate if the power, neutral and ground wires are correctly connected to your outlet. If they are not, call a qualified licensed electrician. For Added Safety. Pumping and other equipment with a 3-prong grounded plug must be connected to a 3-prong grounded receptacle. For added safety the receptacle may be protected with a ground-fault circuit interrupter. When a pump needs to be connected in a watertight junction box, the plug can be removed and spliced to the supply cable with proper grounding. For added safety this circuit may be protected by a ground-fault circuit interrupter. The complete installation must comply with the National Electrical Code and all applicable local codes and ordinances. FOR YOUR PROTECTION, ALWAYS DISCONNECT PUMP FROM ITS POWER SOURCE BEFORE HANDLING. Single phase pumps are supplied with a 3-prong grounded plug to help protect you against the possibility of electrical shock. DO NOT, UNDER ANY CIRCUMSTANCES, REMOVE THE GROUND PIN. The 3-prong plug must be inserted into a mating 3-prong grounded receptacle. If the installation does not have such a receptacle, it must be changed to the proper type, wired and grounded in accordance with the National Electrical Code and all applicable local codes and ordinances. Three phase pumps require motor starting devices with motor overload protection. See FM0486 for duplex installations. The tank is to be vented in accordance with local plumbing code. Pumps must be installed in accordance with the National Electrical Code and all applicable local codes and ordinances. Pumps are not to be installed in locations classified as hazardous in accordance with National Electrical Code, ANSI/NFPA 70. "Risk of electrical shock" Do not remove power supply cord and strain relief or connect conduit directly to the pump. Installation and servicing of electrical circuits and hardware should be performed by a qualified licensed electrician. Pump installation and servicing should be performed by a qualified person. Risk of electric shock - These pumps have not been investigated for use in swimming pool and marine areas. According to the state of California (Prop 65), this product contains chemicals known to the state of California to cause cancer and birth defects or other reproductive harm. 	<ol style="list-style-type: none"> Check to be sure your power source is capable of handling the voltage requirements of the motor, as indicated on the pump name plate. The installation of automatic pumps with variable level float switches or nonautomatic pumps using auxiliary variable level float switches is the responsibility of the installing party and care should be taken that the tethered float switch will not hang up on the pump apparatus or pit peculiarities and is secured so that the pump will shut off. It is recommended to use rigid piping and fittings and the pit be 18" (46 cm) or larger in diameter. Information - vent hole purpose. It is necessary that all submersible sump, effluent, and sewage pumps capable of handling various sizes of solid waste be of the bottom intake design to reduce clogging and seal failures. If a check valve is incorporated in the installation, a vent hole (approx. 3/16" [5 mm]) must be drilled in the discharge pipe below the check valve and pit cover to purge the unit of trapped air. Trapped air is caused by agitation and/or a dry basin. Vent hole should be checked periodically for clogging. The 53 / 57, and 98 Series pumps have a vent located in the pump housing opposite the float, adjacent to a housing lug, but an additional vent hole is recommended. The vent hole on a High Head application may cause too much turbulence. You may not want to drill one. If you choose not to drill a vent hole, be sure the pump case and impeller is covered with liquid before connecting the pipe to the check valve and no inlet carries air to the pump intake. NOTE: THE HOLE MUST ALSO BE BELOW THE BASIN COVER AND CLEANED PERIODICALLY. Water stream will be visible from this hole during pump run periods. Pump should be checked frequently for debris and/or build up which may interfere with the float "on" or "off" position. Repair and service should be performed by Zoeller Pump Company Authorized Service Station only. Dewatering and effluent sump pumps are not designed for use in pits handling raw sewage. Maximum operating temperature for standard model pumps must not exceed 130°F (54°C). Pump models 266, 267, 268, and 137 must be operated in an upright position. Do not attempt to start pump when tilted or laying on its side. Do not operate a pump in an application where the Total Dynamic Head is less than the minimum Total Dynamic Head listed on the Pump Performance Curves. <p>NOTE: Pumps with the "UL" mark and pumps with the "US" mark are tested to UL Standard UL778. CSA Certified pumps are certified to CSA Standard C22.2 No. 108.</p>
<p>REFER TO WARRANTY ON PAGE 2.</p>	

Limited Warranty

Manufacturer warrants, to the purchaser and subsequent owner during the warranty period, every new product to be free from defects in material and workmanship under normal use and service, when properly used and maintained, for a period of three years from the date of purchase. Proof of purchase is required. Parts that fail within the warranty period, that inspections determine to be defective in material or workmanship, will be repaired, replaced or remanufactured at Manufacturer's option, provided however, that by so doing we will not be obligated to replace an entire assembly, the entire mechanism or the complete unit. No allowance will be made for shipping charges, damages, labor or other charges that may occur due to product failure, repair or replacement.

This warranty does not apply to and there shall be no warranty for any material or product that has been disassembled without prior approval of Manufacturer, subjected to misuse, misapplication, neglect, alteration, accident or act of nature; that has not been installed, operated or maintained in accordance with Manufacturer's installation instructions; that has been exposed to outside substances including but not limited to the following: sand, gravel, cement, mud, tar, hydrocarbons, hydrocarbon derivatives (oil, gasoline, solvents, etc.), or other abrasive or corrosive substances, wash towels or feminine sanitary products, etc. in all pumping applications. The warranty set out

in the paragraph above is in lieu of all other warranties expressed or implied; and we do not authorize any representative or other person to assume for us any other liability in connection with our products.

Contact Manufacturer at, 3649 Cane Run Road, Louisville, Kentucky 40211, Attention: Customer Service Department to obtain any needed repair or replacement of part(s) or additional information pertaining to our warranty.

MANUFACTURER EXPRESSLY DISCLAIMS LIABILITY FOR SPECIAL, CONSEQUENTIAL OR INCIDENTAL DAMAGES OR BREACH OF EXPRESSED OR IMPLIED WARRANTY; AND ANY IMPLIED WARRANTY OF FITNESS FOR A PARTICULAR PURPOSE AND OF MERCHANTABILITY SHALL BE LIMITED TO THE DURATION OF THE EXPRESSED WARRANTY.

Some states do not allow limitations on the duration of an implied warranty, so the above limitation may not apply to you. Some states do not allow the exclusion or limitation of incidental or consequential damages, so the above limitation or exclusion may not apply to you.

This warranty gives you specific legal rights and you may also have other rights which vary from state to state.

In those instances where damages are incurred as a result of an alleged pump failure, the Homeowner must retain possession of the pump for investigation purposes.

EASY DO'S & DON'T'S FOR INSTALLING A SUMP PUMP

1. **DO** read thoroughly all installation material provided with the pump.
2. **DO** inspect pump for any visible damage caused by shipping. Contact dealer if pump appears to be damaged.
3. **DO** clean all debris from the sump. Be sure that the pump will have a hard, flat surface beneath it. **DO NOT** install on sand, gravel or dirt.
4. **DO** be sure that the sump is large enough to allow proper clearance for the level control switch(es) to operate properly.
5. **DO Always Disconnect Pump From Power Source Before Handling.** **DO** always connect to a separately protected and properly grounded circuit. **DO NOT** ever cut, splice, or damage power cord (Only splice in a watertight junction box). **DO NOT** carry or lift pump by its power cord. **DO NOT** use an extension cord with a sump pump.
6. **DO** install a check valve and a union in the discharge line. **DO NOT** use a discharge pipe smaller than the pump discharge.
7. **DO NOT** use a sump pump as a trench or excavation pump, or for pumping sewage, gasoline, or other hazardous liquids.
8. **DO** test pump immediately after installation to be sure that the system is working properly.
9. **DO** cover sump with an adequate sump cover.
10. **DO** review all applicable local and national codes and verify that the installation conforms to each of them.
11. **DO** consult manufacturer for clarifications or questions.
12. **DO** consider a two pump system with an alarm where an installation may become overloaded or primary pump failure would result in property damages.
13. **DO** consider a D.C. Backup System where a sump or dewatering pump is necessary for the prevention of property damages from flooding due to A.C. power disruptions, mechanical or electrical problems or system overloading.
14. **DO** inspect and test system for proper operations at least every three months.

SERVICE CHECKLIST



▲ WARNING ELECTRICAL PRECAUTIONS- Before servicing a pump, always shut off the main power breaker and then unplug the pump - making sure you are wearing insulated protective sole shoes and not standing in water. Under flooded conditions, contact your local electric company or a qualified licensed electrician for disconnecting electrical service prior to pump removal.

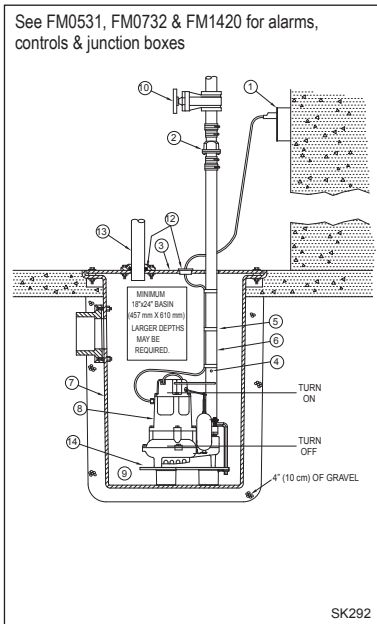
▲ WARNING Submersible pumps contain oils which becomes pressurized and hot under operating conditions. **Allow 2½ hours after disconnecting before attempting service.**

CONDITION	COMMON CAUSES
A. Pump will not start or run.	Check fuse, low voltage, overload open, open or incorrect wiring, open switch, impeller or seal bound mechanically, defective capacitor or relay when used, motor or wiring shorted. Float assembly held down. Switch defective, damaged, or out of adjustment.
B. Motor overheats and trips overload or blows fuse.	Incorrect voltage, negative head (discharge open lower than normal) impeller or seal bound mechanically, defective capacitor or relay, motor shorted.
C. Pump starts and stops too often.	Float tight on rod, check valve stuck or none installed in long distance line, overload open, level switch(s) defective, sump pit too small.
D. Pump will not shut off.	Debris under float assembly, float or float rod bound by pit sides or other, switch defective, damaged or out of adjustment.
E. Pump operates but delivers little or no water.	Check strainer housing, discharge pipe, or if check valve is used vent hole must be clear. Discharge head exceeds pump capacity. Low or incorrect voltage. Incorrect motor rotation. Capacitor defective. Incoming water containing air or causing air to enter pumping chamber.
F. Drop in head and/or capacity after a period of use.	Increased pipe friction, clogged line or check valve. Abrasive material and adverse chemicals could possibly deteriorate impeller and pump housing. Check line. Remove base and inspect.

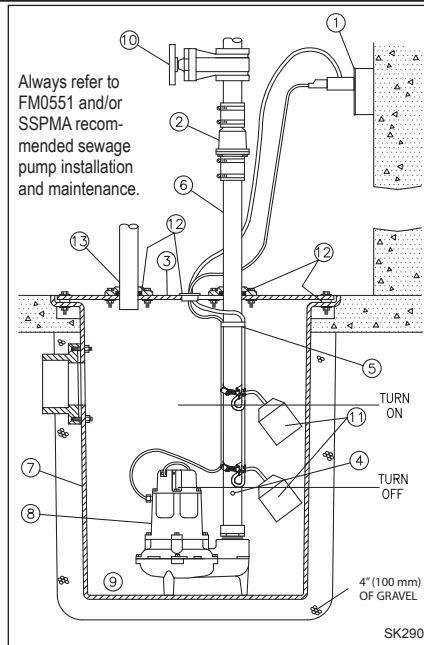
If the above checklist does not uncover the problem, consult the factory. Do not attempt to service or otherwise disassemble pump. Service must be performed by Zoeller Authorized Service Stations. Go to www.zoellerpumps.com/servicestations to find the Authorized Service Station in your area.

RECOMMENDED INSTALLATION FOR ALL APPLICATIONS

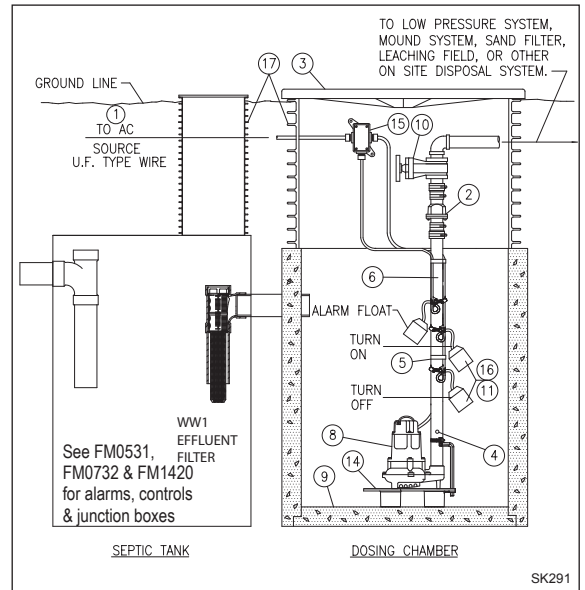
- (1) Electrical wiring and protection must be in accordance with National Electrical Code and any other applicable state and local electrical requirements.
 - (2) Install proper Zoeller unichek (combination union and check valve), preferably just above the basin to allow easy removal of the pump for cleaning or repair. On sewage, effluent or dewatering, if high head or below cover installation is required use 30-0164 on 1½" pipe, 30-0152 on 2" pipe and 30-0160 on 3" pipe. See (4) below.
 - (3) All installations require a basin cover to prevent debris from falling into the basin and to prevent accidental injury.
 - (4) When a Unichek is installed, drill a 3/16" (5 mm) dia. hole in the discharge pipe even with the top of the pump. **NOTE: THE HOLE MUST ALSO BE BELOW THE BASIN COVER AND CLEANED PERIODICALLY.** (High Head unit see #3 under "Caution" on front page). Water stream will be visible from this hole during pump run periods.
 - (5) Securely tape or clamp power cord to discharge pipe, clear of the float mechanism(s).
 - (6) Use full-size discharge pipe.
 - (7) Basin must be in accordance with applicable codes and specifications.
 - (8) Pump must be level and float mechanism(s) clear of sides of basin before starting pump.
 - (9) Basin must be clean and free of debris after installation.
 - (10) Gate Valve or Ball Valve to be supplied by installer and installed according to any and all codes.
 - (11) Locate float switches as shown in sketches. The best place for the "off" point is above the motor housing and positioned 180° from the inlet. Never put "off" point below discharge on pump (Sewage & Effluent only). **NOTE: FOR AUTOMATIC PUMPS, USE DEWATERING INSTALLATION SKETCH.**
 - (12) Gas tight seals required to contain gases and odors.
 - (13) Vent gases and odors to the atmosphere through vent pipe (Sewage & Dewatering only).
 - (14) Install Zoeller Pump Stand (10-2421) under pump to provide a settling basin. (Effluent & Dewatering only).
- For Effluent Only:**
- (15) Wire pump to power through a Zoeller watertight junction box or watertight splice. **NOTE: Watertight enclosure is a must in damp areas. See No. 8 on front page of FM0732.**
 - (16) Refer to SSPMA Effluent Sizing Manual for determining "on" - "off" switches.
 - (17) Septic tank risers must be used for easy pump and filter access.
- NOTE: Double seal pumps offer extra protection from damage caused by seal failure.**



TYPICAL DEWATERING INSTALLATION



TYPICAL SEWAGE INSTALLATION

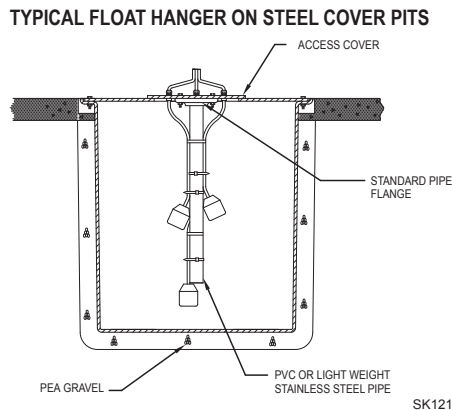


TYPICAL EFFLUENT INSTALLATION

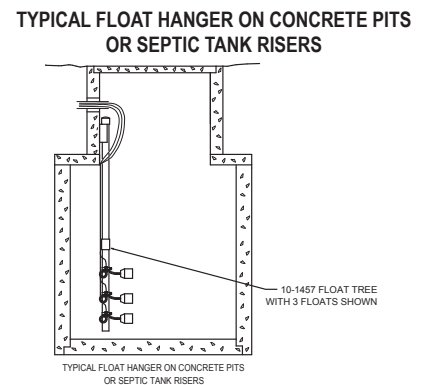
All installations must comply with all applicable electrical and plumbing codes, including, but not limited to, National Electrical Code, local, regional, and/or state plumbing codes, etc. Not intended for use in hazardous locations.

SUGGESTED METHODS OF FLOAT INSTALLATION

On some installations it may be desirable to install an independent hanger for the level control switches to avoid possible hang ups on the pumps, piping, valves, etc. Float hangers are available from Zoeller Company on Catalog Sheet FM0526 or can be fabricated from standard pipe and fittings.

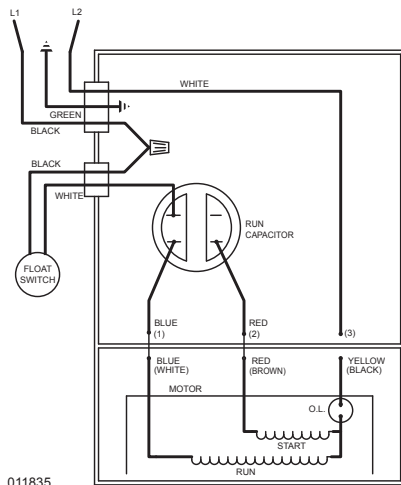


SK1217



SK1218

WD & WH MODEL INSTALLATION



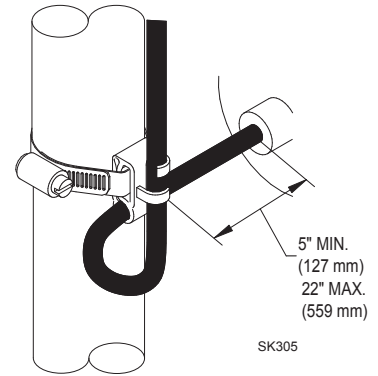
011835
WIRING DIAGRAM FOR MODELS
 WD - 230V, 1 Ph, 60 Hz.
 WH - 200/208V, 1 Ph, 60 Hz.

Determining Pumping Range in Inches (1 inch - 2.5 cm)

Tether Length	5	10	15	20	22
	min.				max.
Pumping Range	9	13.5	18	22	24

Use only as a guide. Due to weight of cable, pumping range above horizontal is not equal to pumping range below horizontal. Ranges are based on testing in nonturbulent conditions. Range may vary due to water temperature and cord shape. As tether length increases, so does the variance of the pumping range.

Models WD & WH are fully automatic. A float switch is included and factory wired in the pump circuit to provide automatic operation once the float switch is secured properly to the outlet pipe. Use the diagram above to secure the float switch properly and obtain the proper tether to customize the on-off cycle to each application.



20 AMP SWITCH (WD & WH MODELS)

Note: Failure to keep within proper tether limits may prevent reliable switch operation.

Note: Cable must be mounted in horizontal position.

SINGLE PHASE WIRING INSTRUCTIONS



⚠ WARNING FOR YOUR PROTECTION, ALWAYS DISCONNECT PUMP FROM ITS POWER SOURCE BEFORE HANDLING. Single phase pumps are supplied with a 3-prong grounded plug to help protect you against the possibility of electrical shock. **DO NOT UNDER ANY CIRCUMSTANCES REMOVE THE GROUND PIN.** The 3-prong plug **must** be inserted into a mating 3-prong grounded receptacle. If the installation does not have such a receptacle, it must be changed to the proper type, wired and grounded in accordance with the National Electrical Code and all applicable local codes and ordinances.



⚠ WARNING "Risk of electrical shock" Do not remove power supply cord and strain relief or connect conduit directly to the pump. Installation and checking of electrical circuits and hardware should be performed by a qualified licensed electrician.
⚠ WARNING Units supplied without a plug (single and three phase) and single phase nonautomatic units with a 20 amp plug must have a motor control and liquid level control provided at time of installation. The control device should have suitable voltage, ampere, frequency, grounding and horsepower rating for the pump to which it is connected.

THREE PHASE WIRING INSTRUCTIONS



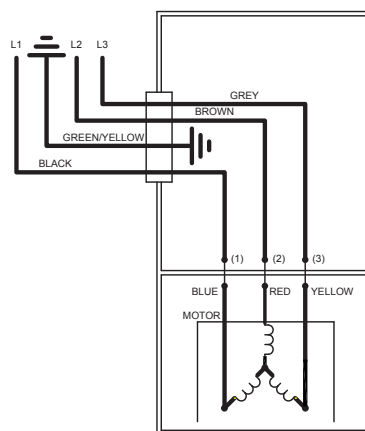
⚠ WARNING FOR YOUR PROTECTION, ALWAYS DISCONNECT PUMP FROM ITS POWER SOURCE BEFORE HANDLING.

To automatically operate a nonautomatic three phase pump, a control panel is required. Follow the instructions provided with the panel to wire the system. For automatic three phase pumps see automatic 3 phase wiring diagram located to the far right.

Before installing a pump, check the pump rotation to ensure that wiring has been connected properly to power source, and that the green lead of power cord (See wiring diagram), is connected to a valid ground. Momentarily energize the pump, observing the directions of kick back due to starting torque. Rotation is correct if kick back is in the opposite direction of rotation arrow on the pump casing. If rotation is not correct, switching of any two power leads other than ground, should provide the proper rotation.

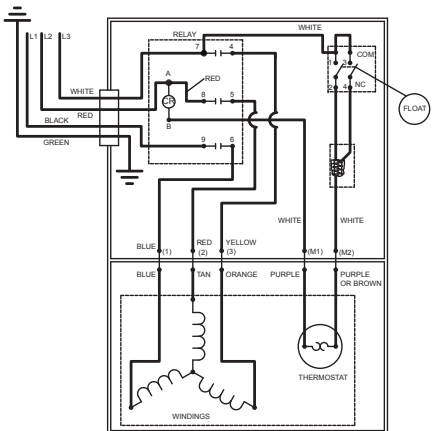
All three phase pumps require motor starting devices with motor overload protection. See FM0486 for duplex installations. Pumps **must** be installed in accordance with the National Electrical Code and all applicable local codes and ordinances. Pumps are not to be installed in locations classified as hazardous in accordance with National Electrical Code, ANSI/NFPA 70.

NONAUTOMATIC 3 PHASE



006848

AUTOMATIC 3 PHASE



013071

IMPORTANT NOTICE: Some insurance policies, both commercial and residential, extend coverage for damages incurred by product failure. You will need to have possession of the product to support your claim in most cases. Zoeller Pump Co. will exchange the unit or refund the original purchase price once the claim is settled with the insurer in the case where you need to retain possession of the product to support a damage claim you submit to your insurance company.

These are the original installation instructions.



PUMP COMPANY

Zoeller Family of Water Solutions™

DIRECCIÓN POSTAL: P.O. BOX 16347 • Louisville, KY 40256-0347 USA
DIRECCIÓN PARA ENVÍOS: 3649 Cane Run Road • Louisville, KY 40211-1961 USA
 +1 (502) 778-2731 • FAX +1 (502) 774-3624

visite a nuestro sitio web:
www.zoeller.com

La información presentada adentro refleja condiciones al tiempo de publicación. Consultar la fábrica sobre discrepancias o contradicciones.

Registre en línea su producto de Zoeller Pump Company: <http://reg.zoellerpumps.com/>

INSTRUCCIONES DE INSTALACIÓN
MODELOS RECOMENDADOS

FECHA DE INSTALACIÓN:

NÚMERO DE MODELO:



EFLUENTES*/SUMIDERO/ACHIQUE	AGUAS NEGRAS
Serie 49 / 53 / 57, Serie 98	Serie 264
Serie 137, Serie 151 / 152 / 153	Serie 266 / 267 / 268

AVISO: AGUJERO DE VENTILACIÓN PARA LA VÁLVULA DE RETENCIÓN, VEA EL NRO. 3 EN LA SECCIÓN DE PRECAUCIONES A CONTINUACIÓN Y EL NRO. 4 EN LA PÁGINA 7.

* Los sistemas de efluentes deben especificar que las bombas no deben manipular sólidos superiores a 19.1 mm (¾ pulg.) con el fin de evitar que entren partículas sólidas grandes en los campos de drenaje, sistemas de montículo, etc. (El modelo serie 49 tiene una capacidad para sólidos de 9.5 mm (3/8 pulg.). Los modelos serie 50, 90 y 151 tienen una capacidad para sólidos de 12.7 mm (½ pulg.), el serie 130 de 15.9 mm (5/8 pulg.), los modelos 152 y 153 de 19.1 mm (¾ pulg.). Cuando lo permita el código, se pueden utilizar bombas de aguas negras para sistemas de efluentes. Se recomiendan bombas no automáticas con controles a nivel externo para aplicaciones de efluentes de fosas sépticas.

LISTA DE VERIFICACIÓN DE PRE-INSTALACIÓN - TODAS LAS INSTALACIONES

1. **Inspeccione su bomba.** Ocasionalmente, los productos se dañan durante el envío. Si la unidad está dañada, comuníquese con su vendedor antes de usarla. NO quite los tapones de prueba de la cubierta ni del cárter del motor.
2. **Lea cuidadosamente toda la literatura** provista para familiarizarse con los detalles específicos relacionados con la instalación y uso. Estos materiales deberán guardarse para referencia futura.

 AVERTISSEMENT VER ABAJO LA LISTA DE ADVERTENCIAS	 PRECAUCIÓN VER ABAJO LA LISTA DE PRECAUCIONES
<ol style="list-style-type: none"> 1. Asegúrese de que el tomacorriente esté al alcance del cable de alimentación eléctrica de la bomba. NO USE UN CABLE DE EXTENSIÓN. Los cables de extensión que son demasiado largos o livianos no suministran voltaje suficiente al motor de la bomba. Más importante aún, presentan un peligro a la seguridad si el aislante se daña o el extremo de conexión cae dentro del sumidero. 2. Asegúrese de que el circuito de alimentación eléctrica de la bomba esté equipado con fusibles o interruptores de circuito de capacidad adecuada. Se recomienda un circuito auxiliar, del tamaño de acuerdo al "Código Eléctrico Nacional" para la corriente que se muestra en la etiqueta de nombre de la bomba. 3. Prueba de puesta a tierra. Como medida de seguridad, cada tomacorriente debe verificarse para puesta a tierra usando un analizador de circuitos aprobado por el Underwriters Laboratory, el cual indicará si los alambres de energía, neutrales y de puesta a tierra están conectados correctamente a su tomacorriente. Si no lo están, llame a un técnico electricista calificado. 4. Para mayor seguridad. El equipo de bombeo y otro equipo eléctrico con enchufes de 3 patillas deben conectarse a un tomacorriente para 3 patillas con puesta a tierra. Para mayor seguridad, el tomacorriente puede estar protegido con un interruptor de circuito de falla a tierra. Cuando una bomba necesita ser conectada a una caja de conexión hermética, el enchufe puede ser retirado y empalmado al cable de alimentación eléctrica propiamente conectado a tierra. Para mayor seguridad, este circuito puede ser protegido mediante un interruptor de circuito de falla a tierra. La instalación completa deberá cumplir con el Código Eléctrico Nacional y todas las ordenanzas y códigos locales aplicables. 5. PARA SU PROTECCIÓN, SIEMPRE DESCONECTE LA BOMBA DE LA FUENTE DE ALIMENTACIÓN ELÉCTRICA ANTES DE MANIPULARLA. Las bombas monofásicas se suministran con enchufes de 3 patillas con puesta a tierra para ayudar a protegerle contra la posibilidad de choque eléctrico. NO RETIRE BAJO NINGUNA CIRCUNSTANCIA LA CLAVIJA DE PUESTA A TIERRA. Los enchufes de 3 patillas se deben introducir en un tomacorriente para 3 patillas apropiado. Si la instalación no posee un tomacorriente de este tipo, se debe cambiar por uno apropiado, cableado y con puesta a tierra de acuerdo al Código Eléctrico Nacional y a todas las ordenanzas y códigos locales aplicables. Las bombas trifásicas requieren dispositivos de arranque del motor con protección contra sobrecarga. Vea FM0486 para instalaciones duplex. 6. El tanque se debe ventilar conforme a los códigos de plomería locales. Las bombas se deben instalar conforme al Código Eléctrico Nacional y a todos los códigos y ordenanzas locales que correspondan. Las bombas no se deben instalar en sitios peligrosos conforme a la clasificación del Código Eléctrico Nacional, ANSI/NFPA 70. 7. "Riesgo de choque eléctrico". No quite el cable de alimentación eléctrica ni el dispositivo de alivio de tensión y no conecte un conductor directamente a la bomba. 8. La instalación y verificación de los circuitos eléctricos y del equipo deberán llevarse a cabo por un técnico electricista calificado. 9. La instalación y verificación de la bomba deberá llevarse a cabo por una persona calificada. 10. Riesgo de choque eléctrico – No se ha investigado el uso de estas bombas en áreas marinas y en piscinas. 11. Este producto contiene sustancias químicas que de acuerdo al estado de California pueden causar cáncer y defectos congénitos u otros daños a la salud reproductiva. 	<ol style="list-style-type: none"> 1. Asegúrese de que la fuente de energía eléctrica sea capaz de manejar los requisitos de voltaje del motor, según se indica en la etiqueta de nombre de la bomba. 2. La instalación de bombas automáticas con interruptores de flotador de nivel variable o las bombas no automáticas que usan interruptores de flotador de nivel variable auxiliares es responsabilidad del instalador y deberá verificarse que el interruptor de flotador atado no se enganchará en el aparato de la bomba ni en las peculiaridades del foso y que está fijado de manera que permita la parada de la bomba. Se recomienda usar tubería y empalmes rígidos y que el foso tenga 45 cm (18 pulg.) o más de diámetro. 3. Información - Objetivo del agujero de ventilación. Es necesario que todas las bombas sumergibles de sumidero, efluentes y de aguas cloacales capaces de manejar residuos sólidos de varios tamaños tengan la entrada en la parte inferior para reducir el atascamiento y las fallas del sello. Si se incorpora a la instalación una válvula de retención, deberá perforarse un agujero de ventilación [de aprox. 5 mm (3/16 pulg.)] en la tubería de descarga debajo de la válvula de retención y de la tapa del foso a fin de purgar la unidad del aire atrapado. La causa de aire atrapado puede ser agitación y/o un estanque seco. Deberá revisarse periódicamente el agujero de ventilación para verificar que no esté atascado. Las bombas de las series 53, 57 ó 98 poseen una ventilación ubicada en la caja de la bomba del lado opuesto al flotador, junto a una aleta de la caja. Sin embargo, se recomienda un agujero de ventilación adicional. Un agujero de ventilación en una aplicación de carga elevada podría causar demasiada turbulencia. Es posible que usted prefiera no perforar uno. Si decide no perforar un agujero de ventilación, asegúrese de que la caja de la bomba y el impulsor estén cubiertos de líquido antes de conectar la tubería a la válvula de retención y que no haya ningún tipo de entrada de aire en la vía de entrada de la bomba. NOTA: EL AGUJERO TAMBIÉN DEBERÁ ESTAR POR DEBAJO DE LA TAPA DEL SUMIDERO Y SE DEBERÁ LIMPIARLO PERIÓDICAMENTE. Se verá un chorro de agua saliendo del agujero durante los períodos de bombeo. 4. Se debe revisar la bomba frecuentemente para asegurarse de que no hay escombros y/o acumulación que pueda interferir con la posición "on" (encendido) o "off" (apagado) del flotador. La reparación y servicio deberá hacerse solamente por personal de una Estación de servicio autorizada por Zoeller Pump Company. 5. Las bombas de achique y de efluentes no se diseñan para uso en fosos con aguas negras crudas. 6. La temperatura de funcionamiento máxima para bombas de modelo estándar no debe superar 54°C (130°F). 7. Las bombas modelos 266, 267, 268, y 137 se deben operar en posición vertical. No intente encender la bomba cuando esté inclinada o apoyada sobre uno de sus lados. 8. No opere la bomba en una aplicación donde la carga dinámica total sea menor que la carga dinámica total mínima que se indica en la Curva de rendimiento de la bomba. <p>AVISO: Las bombas con la marca "UL" y "US" han sido probadas de acuerdo al estándar UL778. Las bombas "aprobadas por CSA" están certificadas de acuerdo al estándar CSA C22.2 No. 108.</p>

REFIÉRASE A LA GARANTÍA EN LA PÁGINA 6.

GARANTÍA LIMITADA

El Fabricante garantiza, al comprador y el propietario subsiguiente durante el período de garantía, que cada producto nuevo está libre de defectos en materiales y mano de obra bajo condiciones de uso y servicio normales, cuando se usa y mantiene correctamente, durante un período de tres años a partir de la fecha de compra. Se requiere evidencia de compra. Las partes que fallen durante el período de garantía, un año a partir de la fecha de compra por parte del usuario final, lo que ocurra primero, cuyas inspecciones determinen que presentan defectos en materiales o mano de obra, serán reparadas, reemplazadas o remanufacturadas a opción del Fabricante, con la condición sin embargo de que por hacerlo no estemos en la obligación de reemplazar un ensamblaje completo, el mecanismo entero o la unidad completa. No se dará concesión alguna por costos de envío, daños, mano de obra u otros cargos que pudieran surgir por falla, reparación o reemplazo del producto.

Esta garantía no aplica a y no se ofrecerá garantía alguna por ningún material o producto que haya sido desarmado sin aprobación previa del Fabricante, o que haya sido sometido a uso indebido, aplicación indebida, negligencia, alteración, accidente o acto fortuito; que no haya sido instalado, usado o mantenido según las instrucciones de instalación del Fabricante; que haya sido expuesto a sustancias foráneas que incluyen pero no se limitan a lo siguiente: arena, grava, cemento, lodo, alquitrán, hidrocarburos, derivados de hidrocarburos (aceite, gasolina, solventes, etc.), u otras sustancias abrasivas o corrosivas, toallas para lavar o productos sanitarios femeninos, etc. en todas las

aplicaciones de bombeo. La garantía presentada en el párrafo anterior deja sin efecto cualquier otra garantía expresa o implícita; y no autorizamos a ningún representante u otra persona para que asuma por nosotros ninguna otra responsabilidad con respecto a nuestros productos.

Comuníquese con el Fabricante en 3649 Cane Run Road, Louisville, KY 40211 EE.UU., Attention: Customer Service Department, para obtener cualquier reparación necesaria o reemplazo de partes o información adicional sobre nuestra garantía.

EL FABRICANTE EXPRESAMENTE RECHAZA RESPONSABILIDAD POR DAÑOS ESPECIALES, EMERGENTES O INCIDENTALES O POR INCUMPLIMIENTO DE LA GARANTÍA EXPRESA O IMPLÍCITA; Y CUALQUIER GARANTÍA IMPLÍCITA DE IDONEIDAD PARA UN FIN PARTICULAR Y DE COMERCIALIZACIÓN SE LIMITARÁ A LA DURACIÓN DE LA GARANTÍA EXPRESA.

Algunos estados no permiten limitaciones en la duración de una garantía implícita, de forma que la limitación anterior podría no aplicar a usted. Algunos estados no permiten la exclusión o limitación de daños incidentales o emergentes, de forma que la limitación o exclusión anterior podría no aplicar a usted.

Esta garantía le otorga a usted derechos legales específicos y podría tener otros derechos que varían de un estado a otro.

En aquellas instancias en que haya daños causados por una presunta falla de la bomba, el propietario deberá conservar la bomba a fin de investigar dicha falla.

LO QUE DEBE Y NO DEBE HACER PARA INSTALAR UNA BOMBA DE SUMIDERO

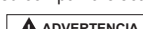
1. **LEA** completamente todo el material sobre la instalación provisto con la bomba.
2. **INSPECCIONE** la bomba para ver si hay cualquier daño visible causado durante el envío. Comuníquese con el vendedor si la bomba está dañada.
3. **RETIRE** todos los escombros del sumidero. Asegúrese de que la bomba se apoyará sobre una superficie dura, plana y estable. **NO LA INSTALE** sobre arena, grava o tierra.
4. **ASEGÚRESE** de que el sumidero sea suficientemente grande para permitir el funcionamiento correcto de los interruptores de control de nivel.
5. **SIEMPRE desconecte la bomba de la fuente de alimentación eléctrica antes de manipularla.**
SIEMPRE conecte la bomba a un circuito protegido separadamente y con puesta a tierra adecuado.
JAMÁS corte, empalme o dañe el cable de alimentación eléctrica. (Empalme únicamente cuando hay una caja de conexión hermética.)
JAMÁS transporte o levante la bomba por su cable de alimentación eléctrica.
JAMÁS use un cable de extensión con una bomba de sumidero.
6. **INSTALE** una válvula de retención y una unión en la tubería de descarga.
JAMÁS use una tubería de descarga de menor tamaño que la descarga de la bomba.

7. **JAMÁS** use una bomba de sumidero como una bomba excavadora o para zanjas, ni para bombear aguas cloacales, gasolina u otros líquidos peligrosos.
8. **PRUEBE** la bomba inmediatamente después de su instalación para asegurarse de que el sistema funciona correctamente.
9. **CUBRA** el foso con una tapa adecuada para sumidero.
10. **EXAMINE** todos los códigos nacionales y locales aplicables y verifique que la instalación esté de acuerdo a cada uno de ellos.
11. **CONSULTE** con el fabricante si necesita aclaraciones o tiene preguntas.
12. **CONSIDERE** un sistema de dos bombas con alarma en donde la instalación puede sobrecargarse o la falla de una bomba primaria causaría daños a la propiedad.
13. **CONSIDERE** un sistema de apoyo de CD en donde una bomba de achique o sumidero es necesaria para prevenir daños a la propiedad debido a inundación causada por interrupciones en el suministro de energía eléctrica, problemas mecánicos o eléctricos, o sobrecarga del sistema.
14. **INSPECCIONE** y pruebe el funcionamiento del sistema por lo menos cada 3 meses.

LISTA DE VERIFICACIÓN DE SERVICIO



PRECAUCIONES ELÉCTRICAS - Antes de proporcionar algún servicio a la bomba, desactive siempre el interruptor principal de suministro de energía eléctrica y desenchufe la bomba. Asegúrese de usar zapatos protectores con suelas aislantes y de no estar parado en el agua. Bajo condiciones de inundación, llame a su compañía eléctrica local o a un técnico electricista calificado para desconectar el servicio eléctrico antes de quitar la bomba.



Las bombas sumergibles contienen aceites que se presurizan y calientan bajo condiciones operativas. **Deje que pasen 2½ horas después de apagarla antes de proceder con el servicio.**

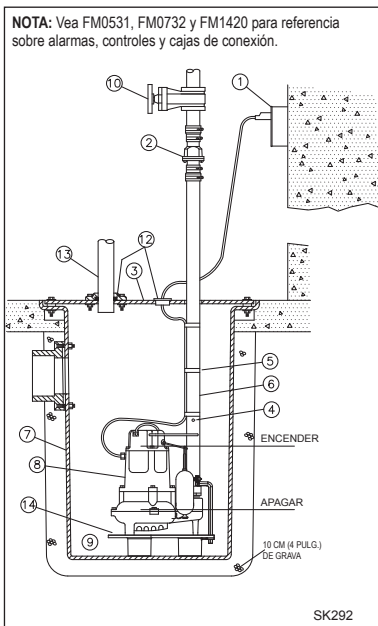
CONDICIÓN	CAUSAS COMUNES
A. La bomba no arranca o no funciona.	Verifique el fusible, voltaje bajo, protección contra sobrecarga abierta, cableado abierto o incorrecto, interruptor abierto, impulsor o sello trabado mecánicamente, capacitor o relé defectuoso, motor o cableado eléctrico en corto circuito. Conjunto del flotador enganchado. Interruptor defectuoso, dañado o fuera de punto.
B. El motor se sobrecalienta y activa la protección contra sobrecarga o desconecta el fusible.	Voltaje incorrecto, carga negativa (descarga abierta menos de lo normal), impulsor o sello trabado mecánicamente, capacitor o relé defectuoso, motor en corto circuito.
C. La bomba se enciende y se apaga muy a menudo.	El flotador está apretado en la varilla, la válvula de retención está atascada o no hay una instalada en una línea de larga distancia, protección contra sobrecarga abierta, interruptores defectuosos, foso del sumidero demasiado pequeño.
D. La bomba no se apaga.	Hay escombros debajo del conjunto del flotador, el flotador o la varilla del flotador están trabados por los lados del foso u otros, interruptor defectuoso, dañado o fuera de punto.
E. La bomba funciona pero sin o con poca agua.	Verifique la caja del filtro y la tubería de descarga, o si se usa una válvula de retención, el agujero de ventilación debe estar abierto. La carga de descarga excede la capacidad de la bomba. Voltaje bajo o incorrecto. Rotación incorrecta del motor. Capacitor defectuoso. El agua de entrada contiene aire o hace que el aire entre en la bomba.
F. Caída en la carga y/o capacidad después de un período de uso.	Aumento de fricción en la tubería, línea o válvula de retención atascada. Material abrasivo o productos químicos adversos podrían haber deteriorado el impulsor o el cárter de la bomba. Revise la línea. Quite la base e inspeccione.

Si la lista de verificación arriba mencionada no revela el problema, consulte con la fábrica. No intente proporcionar algún servicio o desarmar la bomba. Las Estaciones de servicio autorizadas por Zoeller deberán proporcionar dicho servicio.

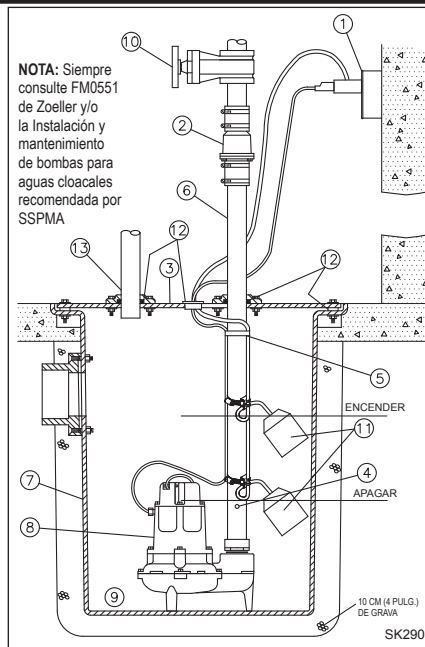
Visite el sitio www.zoellerpumps.com/servicestations para encontrar la estación de servicio autorizada para su zona.

INSTALACIÓN RECOMENDADA PARA TODAS LAS APLICACIONES

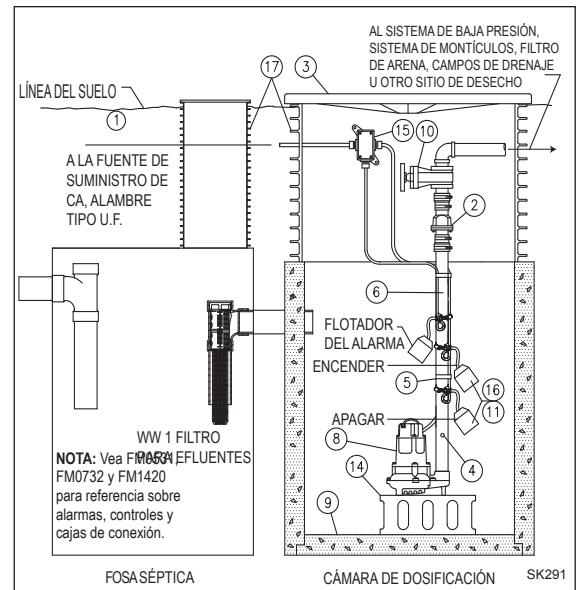
1. El cableado y la protección eléctrica deben estar de acuerdo con el Código Eléctrico Nacional y todos los otros requisitos eléctricos locales y estatales aplicables.
2. Instale el "Unicheck" (combinación de unión y válvula de retención) apropiado de Zoeller, luego arriba del estanque para que se pueda quitar fácilmente la bomba para su limpieza o reparación. Si los sistemas para aguas cloacales, efluentes o achique requieren instalación de carga elevada o por debajo de la tapa, use 30-0164 en tubería de 38 mm (1½ pulg.), 30-0152 en tubería de 51 mm (2 pulg.) y 30-0160 en tubería de 76 mm (3 pulg.). Vea el número 4 más abajo.
3. Todas las instalaciones requieren una tapa para prevenir que escombros caigan dentro del estanque y prevenir lesiones accidentales.
4. Cuando instale un "Unicheck", perforo un agujero de 5 mm (3/16 pulg.) de diámetro en la tubería de descarga al mismo nivel de la parte superior de la bomba. **NOTA: EL AGUJERO TAMBIÉN DEBERÁ ESTAR POR DEBAJO DE LA TAPA DEL ESTANQUE Y SE DEBE LIMPIARLO PERIÓDICAMENTE.** (Para unidades de carga elevada, ver el número 3 de la lista de "Precauciones" en la página 1.) Se verá un chorro de agua saliendo del agujero durante los períodos de bombeo.
5. Fije firmemente el cable de alimentación eléctrica al tubo de descarga con cinta o abrazadera.
6. Use tubería de descarga de tamaño completo.
7. El estanque debe estar de acuerdo con los códigos y las especificaciones aplicables.
8. La bomba debe estar nivelada y el mecanismo del flotador libre de los lados del estanque antes de encender la bomba.
9. El estanque debe estar limpio y libre de escombros después de la instalación.
10. El instalador deberá suministrar una válvula de paso directo o una válvula de bola y instalarla de acuerdo con cualesquiera y todos los códigos.
11. La ubicación de los interruptores de flotador es como se muestra en el esquema a la izquierda. El punto "off" (apagado) debe estar por encima del cárter del motor y a 180° de la entrada. **NOTA: PARA BOMBAS AUTOMÁTICAS, UTILICE EL ESQUEMA PARA LA INSTALACION PARA ACHIQUE MÁS ABAJO.**
12. Los sellos herméticos contra gases son necesarios en todas las instalaciones de aguas cloacales a fin de contener los gases y olores.
13. Ventile los gases y olores a la atmósfera a través del tubo de ventilación. (sólo para cloaca y achique).
14. Instale el soporte para bomba Zoeller (Modelo 10-2421) debajo de la bomba para proporcionar un sumidero de decantación (sólo para efluente y achique).
Para efluente solamente:
15. La conexión del cableado de la bomba a la fuente de alimentación eléctrica debe hacerse a través de una caja de conexión hermética Zoeller o un empalme hermético. **NOTA: La caja hermética es obligatoria en áreas húmedas.** Vea FM0732. Vea el número 8 en la página 1.
16. Consulte el Manual sobre tamaños de efluentes del SSPMA para determinar la posición de los interruptores "on-off" (encendido-apagado).
17. Se debe usar tubos verticales en el tanque séptico para tener fácil acceso a la bomba y al filtro.
NOTA: Las bombas de sello doble ofrecen protección adicional contra los daños causados por falla del sello.



INSTALACIÓN TÍPICA PARA ACHIQUE



INSTALACIÓN TÍPICA PARA AGUAS NEGRAS



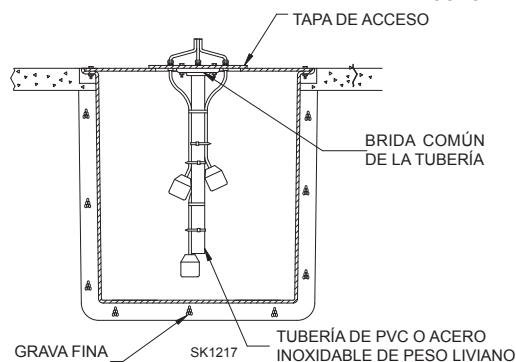
INSTALACIÓN TÍPICA PARA EFLUENTES

Todas las instalaciones deben cumplir con todos los códigos eléctricos y de instalación sanitaria aplicables, incluyendo, pero sin limitarse al Código Eléctrico Nacional, los códigos locales, regionales y/o los códigos estatales de instalación sanitaria, etc. No se debe usar las instalaciones en lugares peligrosos.

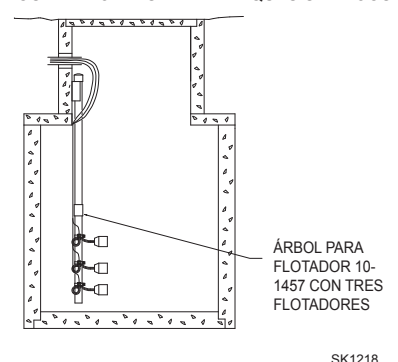
MÉTODOS SUGERIDOS PARA LA INSTALACIÓN DEL FLOTADOR

En algunas instalaciones es deseable instalar un soporte colgante independiente para los interruptores de control de nivel para evitar posibles enganches en las bombas, tubería, válvulas, etc. Los soportes colgantes del flotador se pueden comprar de Zoeller Company según la Hoja de catálogo FM0526, o fabricarse de tubería y empalmes comunes.

SOPORTE COLGANTE PARA FLOTADOR TÍPICO EN FOSOS CON TAPA DE ACERO



SOPORTE COLGANTE PARA FLOTADOR TÍPICO EN FOSOS DE CONCRETO O TUBOS VERTICALES PARA TANQUES SÉPTICOS



INSTRUCCIONES PARA LA INSTALACIÓN DE LOS MODELOS WD Y WH

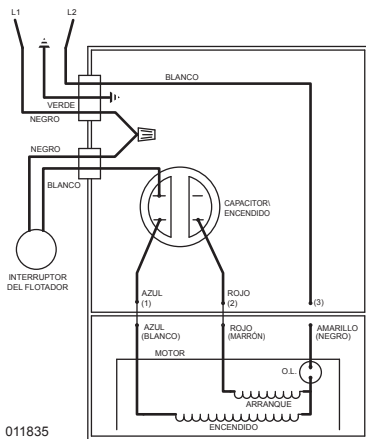


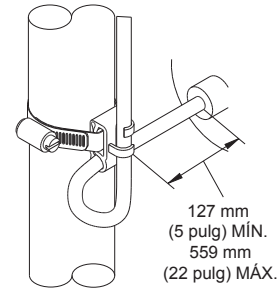
DIAGRAMA DE CABLEADO PARA LOS MODELOS:
WD-230V, 1 FASE, 60 CICLOS
WH-200/208V, 1 FASE, 60 CICLOS

Determinación del rango de bombeo en pulgadas (1 pulg. = 2,5 cm)

Longitud de la atadura	5	10	15	20	22
		mín.			máx.
Rango de bombeo	9	13.5	18	22	24

Usar solamente como guía. Debido al peso del cable, el rango de bombeo sobre la horizontal no es igual al rango de bombeo debajo de la horizontal. Los rangos se basan en pruebas en condiciones no turbulentas. El rango puede variar debido a la temperatura del agua y a la forma del cable. A medida que aumenta la longitud de la atadura, también aumenta la variación en el rango de bombeo.

Los modelos WD y WH son completamente automáticos. Se incluye un interruptor de flotador con cableado de fábrica en el circuito de la bomba para proveer una operación automática una vez que el interruptor de flotador se haya atado correctamente a la tubería de salida. Use el diagrama de arriba para asegurar correctamente el interruptor de flotador y obtener la atadura apropiada para adecuar el ciclo de encendido-apagado a cada aplicación.



SK305

INTERRUPTOR DE 20 AMPERIOS
(MODELOS WD Y WH)

Nota: No tener en cuenta los límites adecuados de la atadura podría alterar el funcionamiento seguro del interruptor.

Nota: El cable debe ser instalado en posición horizontal.

INSTRUCCIONES PARA EL CABLEADO MONOFÁSICO



ADVERTENCIA

PARA SU PROTECCIÓN, SIEMPRE DESCONECTE LA BOMBA DE LA FUENTE DE ALIMENTACIÓN ELÉCTRICA ANTES DE MANIPULARLA. Las bombas monofásicas se suministran con enchufes de 3 patillas con puesta a tierra para ayudar a protegerle contra la posibilidad de choque eléctrico. **NO RETIRE BAJO NINGUNA CIRCUNSTANCIA LA CLAVIJA DE PUESTA A TIERRA.** Los enchufes de 3 patillas **se deben** introducir en un tomacorriente para 3 patillas apropiado. Si la instalación no posee un tomacorriente de este tipo, se debe cambiar por uno apropiado, cableado y con puesta a tierra de acuerdo al Código Eléctrico Nacional y a todas las ordenanzas y códigos locales aplicables.



ADVERTENCIA

“Riesgo de choque eléctrico”. No quite el cable de alimentación eléctrica ni el dispositivo de alivio de tensión y no conecte un conductor directamente a la bomba.

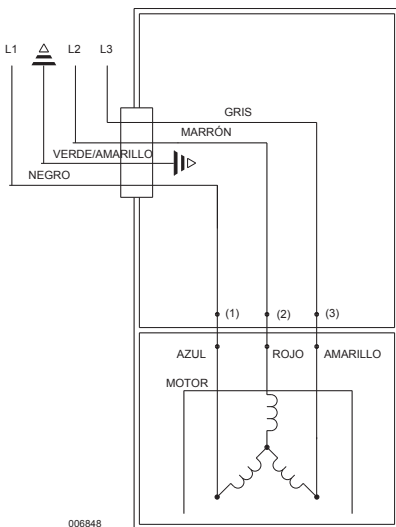
ADVERTENCIA

La instalación y verificación de los circuitos eléctricos y del equipo deberán llevarse a cabo por un técnico electricista calificado.

ADVERTENCIA

A las unidades que se suministran sin enchufe (monofásico y trifásico) y a las unidades monofásicas no automáticas que poseen un enchufe de 20 amperios se les debe conectar un control de motor y un control de nivel de líquidos durante la instalación. Los niveles de voltaje, amperaje, frecuencia, puesta a tierra y potencia del dispositivo de control deben ser apropiados para la bomba a la cual se conecta.

INSTRUCCIONES PARA EL CABLEADO TRIFÁSICO

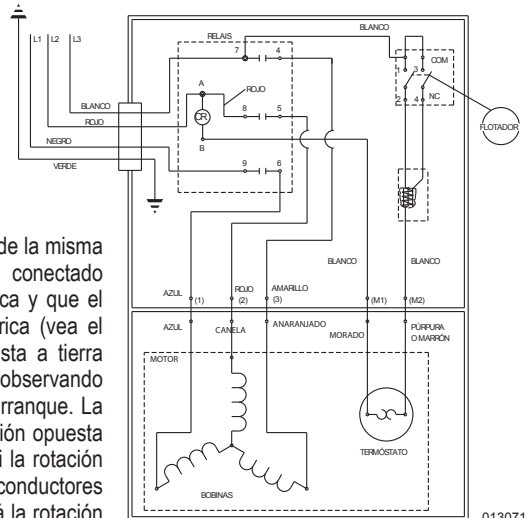


006848

Las bombas trifásicas no son automáticas. Para operarlas automáticamente se requiere un panel de control. Siga las instrucciones provistas con el panel para completar el cableado del sistema. Para bombas trifásicas automáticas, ver el diagrama de cableado para bombas trifásicas automáticas a la derecha.

Antes de instalar una bomba, verifique la rotación de la misma para asegurarse de que los cables se hayan conectado correctamente a la fuente de alimentación eléctrica y que el conductor verde del cable de alimentación eléctrica (vea el diagrama de cableado) está conectado con puesta a tierra adecuada. Active momentáneamente la bomba, observando la dirección del retroceso debido a la torsión de arranque. La rotación es correcta si el retroceso está en dirección opuesta a la flecha de rotación en la caja de la bomba. Si la rotación no es correcta, cambiar dos de cualquiera de los conductores eléctricos, excepto el con puesta a tierra, proveerá la rotación apropiada.

Todas las bombas trifásicas requieren dispositivos de arranque del motor con protección contra sobrecarga. Vea FM0514 para instalaciones simplex o FM0486 para instalaciones duplex. Las bombas **se deben** instalar de acuerdo al Código Eléctrico Nacional y a todas las ordenanzas y códigos locales aplicables. Las bombas no se deben instalar en sitios clasificados como peligrosos según el Código Eléctrico Nacional ANSI/NFPA 70.



013071



ADVERTENCIA

PARA SU PROTECCIÓN, SIEMPRE DESCONECTE LA BOMBA DE LA FUENTE DE ALIMENTACIÓN ELÉCTRICA ANTES DE MANIPULARLA.

AVISO IMPORTANTE: Ciertas pólizas de seguro, tanto comerciales como residenciales, extienden la cobertura a los daños causados por la falla del producto. En la mayoría de los casos, usted deberá conservar el producto para respaldar su reclamo. Zoeller Pump Co. reemplazará la unidad o reembolsará el precio de compra original una vez que la compañía de seguros liquide el reclamo, en el caso de que usted necesite conservar el producto para respaldar un reclamo por daños que le haya presentado a su compañía de seguros.

Esta es una traducción de las instrucciones de instalación originales.



PUMP COMPANY

Zoeller Family of Water Solutions™

ADRESSE POSTALE : P.O. BOX 16437 • Louisville, KY 40256-0347 USA
ADRESSE PHYSIQUE : 3649 Cane Run Road • Louisville, KY 40211-1961 USA
TÉL : +1 (502)778-2731 • **FAX :** +1 (502) 774-3624

Visitez notre site internet:
www.zoeller.com

Les renseignements présentés dans ce document représentent les conditions au moment de la publication. Consulter l'usine en cas de désaccord et de manque de cohérence.

Enregistrez votre produit
 Zoeller Pump Company
 en ligne:
<http://reg.zoellerpumps.com/>

INSTRUCTIONS D'INSTALLATION MODÈLES RECOMMANDÉS

DATE D'INSTALLATION :
NUMÉRO DE MODÈLE :

EFFLUENTS* / PUISARD / ASSÈCHEMENT	ÉGOUT
Séries 49 / 53 / 57, Séries 98	Séries 264
Séries 137, Séries 151 / 152 / 153	Séries 266 / 267 / 268

AVIS : TROU D'ÉVENT POUR LE CLAPET DE SÉCURITÉ VOIR N° 3 CI-DESSOUS ET N° 4 PAGE 11.

* Les systèmes d'effluent doivent préciser que les pompes ne doivent pas traiter des solides dépassant 19,1 mm (3/4 po) afin d'éviter que des solides volumineux n'entrent dans les champs d'épuration, les champs d'épuration en monticule, etc. (Capacité pour les solides de 9,5 mm [3/8 po] pour le modèle 49. Les séries 50, 90 et 151 ont une capacité de 12,7 mm [1/2 po], la série 130 de 15,9 mm [5/8 po] et les modèles 152 et 153 de 19,1 mm [3/4 po].) Là où la législation le permet, les pompes à eaux usées peuvent remplacer les systèmes à effluent. Il est conseillé d'utiliser des pompes non automatiques possédant des contrôles de niveau externe pour les applications d'effluents de fosse septique.

LISTE DE VÉRIFICATIONS AVANT L'INSTALLATION - TOUTES LES INSTALLATIONS

1. **Inspecter la pompe.** De temps en temps, la pompe est endommagée en cours d'expédition. Si la pompe est endommagée, contacter le distributeur avant de l'utiliser. **NE PAS** enlever les bouchons test du couvercle ni du compartiment moteur.
2. **Il faut lire attentivement tous les documents** fournis pour se familiariser avec les détails spécifiques de l'installation et de l'utilisation. Il faut conserver ces documents pour pouvoir les consulter ultérieurement.

AVERTISSEMENT	VOIR PLUS BAS POUR LA LISTE DES AVERTISSEMENTS	MISE EN GARDE	VOIR PLUS BAS POUR LA LISTE DES MISES EN GARDE
----------------------	--	----------------------	--

1. Il faut vérifier que la prise est à portée du cordon d'alimentation de la pompe. **NE PAS UTILISER DE RALLONGE.** Les rallonges trop longues ou de trop faible capacité ne fournissent pas la tension nécessaire au moteur de la pompe, mais, encore plus important, elles peuvent être dangereuses si l'isolant est endommagé ou si l'extrémité avec le branchement tombe dans un endroit humide ou mouillé.
2. **Vérifier que le circuit d'alimentation de la pompe est équipé de fusibles ou de disjoncteurs de capacité appropriée.** Il est recommandé d'installer un circuit indépendant de capacité suffisante, conforme aux codes électriques nationaux pour la capacité indiquée sur la plaque d'identification de la pompe.
3. **Vérification de la mise à la terre.** Pour des raisons de sécurité, il faut vérifier la terre de chaque prise électrique en utilisant un analyseur de circuit sur la liste d'Underwriters Laboratory qui indique si les fils de phase, de neutre et de terre de la prise sont branchés correctement. S'ils ne sont pas branchés correctement, appeler un électricien agréé qualifié.
4. **Pour des raisons de sécurité,** les pompes et autre équipement équipés d'un fil à trois broches, avec mise à la terre, doivent être branchés sur une prise à trois broches. Pour des raisons de sécurité, la prise doit être protégée par un disjoncteur différentiel. Quand la pompe est branchée dans un boîtier de branchement étanche, il est possible d'enlever la fiche et de faire le branchement directement sur l'alimentation avec mise à la terre appropriée. Pour des raisons de sécurité, ce circuit peut être protégé par un disjoncteur différentiel. L'installation doit être conforme au code national d'électricité et tous les règlements locaux.
5. **POUR DES RAISONS DE SÉCURITÉ, IL FAUT TOUJOURS DÉBRANCHER L'ALIMENTATION DE LA POMPE AVANT DE LA MANIPULER.** Les pompes monophasées sont équipées d'un cordon avec fiche à trois broches de mise à terre pour protéger contre les électrocutions. **IL NE FAUT JAMAIS ENLEVER LA BROCHE DE MISE À TERRE.** Il faut brancher la fiche à trois broches dans une prise à trois broches de mise à terre. Si le circuit n'est pas équipé d'une telle prise, il faut en installer une en respectant le code national d'électricité et toute la législation et réglementation locales en vigueur. Les pompes triphasées doivent être équipées d'un dispositif de mise en marche avec protection thermique du moteur. Consulter la norme FM0486 pour les installations duplex.
6. La ventilation du réservoir doit être conforme au code de plomberie local. Les pompes **doivent** être installées conformément au code national d'électricité et à toute la législation et réglementation locales en vigueur. Les pompes ne doivent pas être installées dans des endroits classifiés à risque, conformément à la norme ANSI/NFPA 70 du Code national américain de l'électricité.
7. **Risque d'électrocution.** Ne pas enlever le cordon d'alimentation ni le distributeur de tension mécanique, ni brancher le conduit directement à la pompe.
8. L'installation et la vérification de l'équipement électrique doivent être faites par un électricien qualifié.
9. L'installation et la vérification de la pompe doivent être faites par une personne qualifiée.
10. **Risque d'électrocution.** L'usage de ce type de pompe dans une piscine de natation et des zones marines n'a pas été étudié.
11. Ce produit contient des produits chimiques dont l'état de la Californie a déterminé comme étant la cause de cancer et de déficiences à la naissance ou autres dommages reproductifs.

1. Vérifier que le circuit d'alimentation a une capacité suffisante pour alimenter le moteur, comme indiqué sur la pompe ou sur la plaque d'identification de l'appareil.
2. L'installateur est responsable de l'installation des pompes automatiques avec des interrupteurs à niveau variable ou des pompes non-automatiques utilisant des interrupteurs auxiliaires à niveau variable et il doit s'assurer que l'interrupteur à flotteur est installé fermement pour qu'il n'accroche pas à la pompe ni au puits pour permettre l'arrêt de la pompe. Il est recommandé d'utiliser du tuyau et des raccords rigides et le puits doit avoir un diamètre supérieur à 45 cm (18").
3. **Renseignements sur le trou d'évent.** Il est nécessaire que la pompe submersible, les pompes à effluents et d'égout capables de passer des solides de différentes tailles aient leur alimentation à la base pour réduire le colmatage et la défaillance des joints. Si l'installation comprend un clapet de sécurité, il faut percer un trou d'évent d'environ 5 mm (3/16") dans le tuyau de refoulement au-dessous du clapet de sécurité et le couvercle pour purger l'air de l'appareil. L'air emprisonné est causé par l'agitation et/ou un puits sec. Il faut vérifier périodiquement que le trou d'évent n'est pas colmaté. Les carters de pompe de la série 53 / 57 et 98 sont équipés d'un trou d'évent à l'opposé du flotteur, près du goujon du carter, du goujon du carter, mais un trou d'évent est recommandé. Le trou d'évent de l'application à une hauteur de refoulement dynamique élevée peut causer une turbulence trop élevée. Il peut être désirable de ne pas le percer. S'il est décidé de ne pas percer de trou d'évent, il faut s'assurer que le carter et le rotor de la pompe sont couverts de liquide avant de brancher le tuyau sur le clapet anti-retour et qu'aucune conduite d'aspiration n'amène de l'air à l'admission de la pompe. **REMARQUE - LE TROU DOIT AUSSI ÊTRE AU-DESSOUS DU COUVERCLE DU Puits ET IL FAUT LE NETTOYER RÉGULIÈREMENT.** Un jet d'eau sera visible de cette orifice durant les périodes de fonctionnement de la pompe.
4. Il faut vérifier fréquemment qu'il n'y a pas de débris ni d'accumulation pouvant interférer avec le déplacement du flotteur de marche / arrêt. Les réparations ne doivent être faites que par un centre de réparation agréé par Zoeller Pump Company.
5. Les pompes d'assèchement mécanique et d'effluents sont conçues pour pompage d'eau usée non traitée dans un puits.
6. La température de fonctionnement maximale d'une pompe standard ne peut pas être plus de 54°C (130°F).
7. Il faut utiliser les pompes modèles 266, 267, et 137 en position verticale. Il ne faut pas essayer de mettre la pompe en marche quand elle est inclinée ou couchée sur le côté.
8. Il ne faut pas faire fonctionner la pompe dans une application où la hauteur de refoulement dynamique est inférieure à la hauteur de refoulement dynamique minimale donnée dans les courbes de refoulement et de capacité.

REMARQUE - Les pompes avec annotations "UL" et "US" sont vérifiées d'après la norme UL778. Les pompes certifiées CSA sont vérifiées d'après la norme C22.2 no 108.

SE RÉFÉRER À LA GARANTIE EN PAGE 10.

GARANTIE LIMITÉE

Le fabricant garantit à l'acheteur et au propriétaire ultérieur pendant la période de garantie, tout produit neuf contre tout vice de matériel et de main-d'œuvre, en utilisation normale et quand utilisé et entretenu correctement, pendant une période de 3 ans de la date de achat. Preuve d'achat est requis. Les pièces devenant défectueuses pendant la période de garantie, et que des inspections prouvent contenir des vices de fabrication ou de main-d'œuvre, seront réparées, remplacées ou renouvelées au choix du Fabricant, à condition qu'en faisant cela nous ne soyons pas obligés de remplacer l'ensemble, le mécanisme complet ou l'appareil complet. Aucune provision n'est faite pour les frais d'expédition, les dégâts, la main-d'œuvre ni d'autres frais causés par la défaillance, la réparation ou le remplacement du produit.

Cette garantie ne s'applique pas et ne couvre aucun matériel ou produit qui a été démonté sans l'autorisation préalable du Fabricant, soumis à un usage abusif, des applications incorrectes, de la négligence, des modifications, des accidents ou un cas de force majeure ; qui n'a pas été installé, utilisé ou entretenu selon les instructions d'installation du Fabricant; qui a été exposé, y compris, mais non de façon limitative, à du sable, des gravillons, du ciment, de la boue, du goudron, des hydrocarbures ou des dérivés d'hydrocarbures (huile, essence, solvants, etc.) ou à d'autres produits abrasifs ou corrosifs, serviettes ou produits d'hygiène féminine etc., dans toutes les applications de pompage. La garantie mentionnée ci-dessus remplace toutes les autres garanties

expresses ou implicites et nous n'autorisons aucun représentant ou autre personne à accepter la responsabilité en notre nom pour nos produits.

Prendre contact avec le Fabricant, 3649 Cane Run Road, Louisville, KY 40211, à l'attention du Service à la Clientèle, pour obtenir des réparations, des pièces de remplacement ou des renseignements supplémentaires concernant la garantie.

LE FABRICANT REFUSE EXPRESSÉMENT TOUTE RESPONSABILITÉ POUR LES DÉGÂTS SPÉCIAUX, INDIRECTS OU SECONDAIRES OU POUR LES RUPTURES DE GARANTIE EXPRESSES OU IMPLICITES; ET TOUTE GARANTIE IMPLICITE D'APPLICABILITÉ À UNE UTILISATION SPÉCIFIQUE OU DE COMMERCIALITÉ EST LIMITÉE À LA DURÉE DE LA GARANTIE EXPRESSE.

Certaines provinces ne permettent pas les limitations de la durée de la garantie implicite et il est possible que cette limitation ne s'applique pas. Certaines provinces ne permettent pas l'exclusion ou la limitation des dégâts secondaires ou indirects, et il est possible que cette limitation ou exclusion ne s'applique pas.

Cette garantie vous donne des droits spécifiques reconnus par la loi et vous pouvez également avoir d'autres droits qui varient d'une province à l'autre.

Lorsque des dégâts sont causés par une défaillance présumée de la pompe, le propriétaire doit garder la pompe en sa possession en vue d'enquête.

CONSEILS POUR L'INSTALLATION D'UNE POMPE DE PUISARD

1. **IL FAUT** lire toutes les instructions d'installation fournies avec la pompe.
2. **IL FAUT** vérifier que les appareils n'ont pas été endommagés en cours d'expédition. Contacter le distributeur si la pompe a été endommagée.
3. **IL FAUT** nettoyer tous les débris dans le puisard. Vérifier qu'il y a une surface dure et plate à l'emplacement désiré pour la pompe. **NE PAS** installer la pompe sur du sable, du gravier ou de la terre.
4. **IL FAUT** vérifier que le puisard est assez large pour avoir de l'espace suffisant pour le bon fonctionnement des interrupteurs de commande de niveau.
5. **IL FAUT toujours débrancher l'alimentation de la pompe avant de la manipuler.**
IL FAUT toujours brancher la pompe sur un circuit séparé mis à la terre.
IL NE FAUT JAMAIS couper, faire une épissure ou endommager un cordon d'alimentation. (Pour faire une raccordement, il faut utiliser un boîtier de raccordement étanche.
IL NE FAUT PAS utiliser le cordon d'alimentation pour transporter ou soulever la pompe.
IL NE FAUT PAS utiliser de rallonge pour une pompe de puisard.
6. **IL FAUT** installer un clapet de sécurité et un raccord sur la conduite de refoulement.
IL NE FAUT PAS utiliser une conduite de refoulement de diamètre inférieur à celui du refoulement de la pompe.
7. **IL NE FAUT PAS** utiliser une pompe de puisard comme pompe de tranchée ou d'excavation, ou pour pomper des égouts, de l'essence ou tout autre liquide dangereux.
8. **IL FAUT** essayer la pompe immédiatement après l'installation pour être certain que le système fonctionne correctement.
9. **IL FAUT** recouvrir la pompe de puisard d'un couvercle de puisard approprié.
10. **IL FAUT** étudier tous les codes locaux et nationaux applicables et vérifier que l'installation est conforme.
11. **IL FAUT** consulter le fabricant pour obtenir des clarifications ou des réponses aux questions.
12. **IL FAUT** considérer un système à deux pompes avec une alarme quand l'installation peut être surchargée ou si une défaillance de la pompe primaire causait des dégâts importants.
13. **IL FAUT** considérer un système de secours en courant alternatif quand une pompe de puisard ou d'échage mécanique est nécessaire pour éviter des dégâts matériels en cas d'inondation à la suite d'une panne d'alimentation secteur, de problème mécanique ou électrique ou de surcharge du système.
14. **IL FAUT** inspecter le système et vérifier son fonctionnement au moins tous les trois mois.

LISTE DE VÉRIFICATIONS POUR L'ENTRETIEN



⚠️ AVERTISSEMENT PRÉCAUTIONS AVEC LE SYSTÈME ÉLECTRIQUE – Avant de réparer la pompe, il faut toujours ouvrir le circuit et débrancher la pompe, en prenant soin de porter des chaussures à semelle isolante et de ne pas se tenir dans l'eau. En cas d'inondation, contacter la compagnie d'électricité ou un électricien agréé pour couper l'alimentation avant de déposer la pompe.

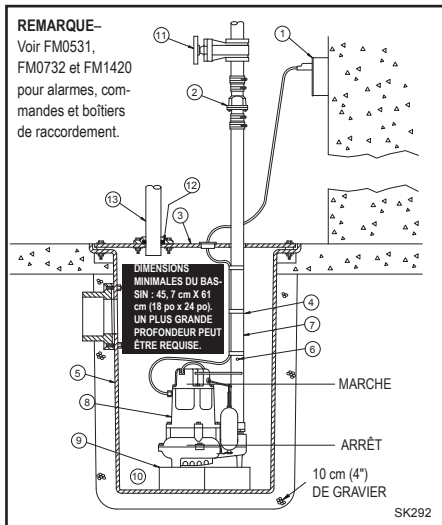
⚠️ AVERTISSEMENT Les pompes submersibles contiennent de l'huile qui peut être sous pression ou devenir chaude en cours de fonctionnement. **Attendre 2 heures et demi après l'avoir débranchée avant de travailler sur la pompe.**

CONDITION	CAUSES FRÉQUENTES
A. La pompe ne démarre pas ou ne fonctionne pas.	Vérifier que le fusible est en bon état, que la tension est normale, que le circuit n'est pas surchargé et que le câblage est correct, que l'interrupteur n'est pas ouvert, que le rotor ou le joint n'est pas bloqué, que le condensateur ou le relais n'est pas défectueux, si installé, qu'il n'y a pas de court-circuit dans le moteur ou le bobinage. Flotteur bloqué en position basse. Interrupteur défectueux, endommagé ou mal réglé.
B. Le moteur surchauffe et déclenche le disjoncteur ou la sécurité thermique.	Mauvaise tension, hauteur de refoulement négative (refoulement ouvert au-dessous de la normale), blocage mécanique du rotor ou du joint, moteur court-circuité.
C. La pompe se met en marche et s'arrête trop fréquemment.	Flotteur grippé sur la tige, clapet de sécurité coincé ou pas de clapet installé sur une conduite longue, clapet de sécurité ouvert, interrupteurs de niveau défectueux, puits trop petit.
D. La pompe ne s'arrête pas.	Débris sous le flotteur, flotteur ou tige du flotteur coincé contre la paroi du puits, interrupteur défectueux, endommagé ou mal réglé.
E. La pompe fonctionne mais son débit est faible ou non existant.	Vérifier le carter de crépine, le tuyau de refoulement ou, si un clapet de sécurité est installé, le trou d'évent. La hauteur de refoulement est supérieure à la capacité de la pompe. Mauvaise tension. Mauvaise direction de rotation de la pompe. Condensateur défectueux. L'eau d'alimentation contient de l'air ou provoque l'entrée d'air dans la chambre de la pompe.
F. Baisse de capacité ou de hauteur de refoulement après une période d'utilisation.	Augmentation de la friction dans le tuyau de refoulement, tuyau ou clapet de sécurité colmaté. Des produits abrasifs ou des produits chimiques peuvent détériorer le rotor et le carter de pompe. Inspecter la conduite. Déposer la base et inspecter.

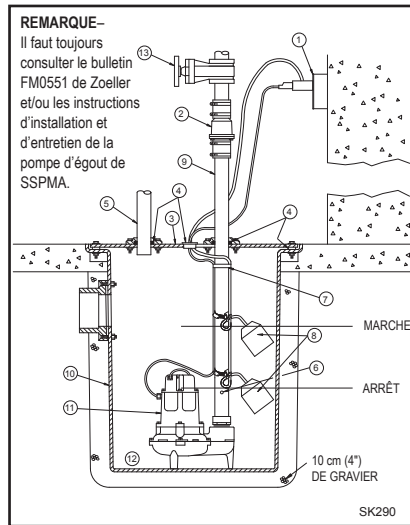
Si les vérifications ci-dessus ne résolvent le problème, consulter l'usine. Ne pas essayer de réparer ou de démonter la pompe. Toutes les réparations doivent être faites par un centre de réparation agréé par Zoeller. Visitez le site Web www.zoellerpumps.com/servicestations pour trouver le centre de service agréé le plus proche.

INSTALLATION RECOMMANDÉE POUR TOUTES APPLICATIONS

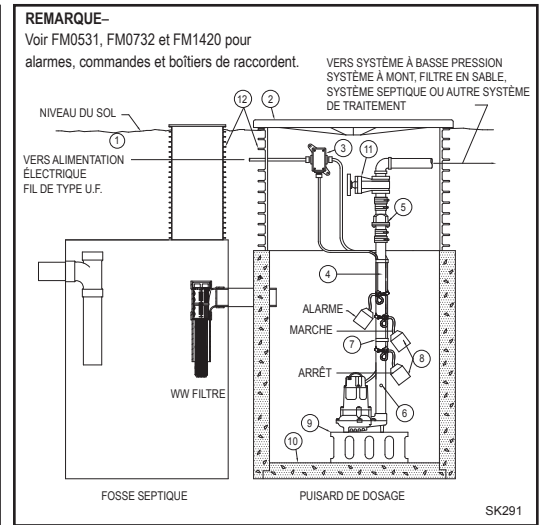
- (1) Les circuits et les protections électriques doivent être conformes aux normes des codes électriques nationaux, provinciaux et locaux.
 - (2) Installer un Unicheck (raccord / clapet de sécurité combiné) de Zoeller approprié, de préférence juste au-dessus du puits pour permettre la dépose de la pompe pour le nettoyage ou les réparations. Pour les égouts, les effluents ou les eaux d'assèchement mécanique, utiliser le modèle 30-0164 avec des tuyaux de 1-1/2" (38 mm), modèle 30-0152 avec des tuyaux de 2" (51 mm) et le modèle 30-0160 avec des tuyaux de 3" (76 mm) s'il faut une grande hauteur de refoulement ou en cas d'installation sous un couvercle. Voir (4) ci-dessous.
 - (3) Tous les puits doivent avoir un couvercle pour empêcher les débris d'y tomber et éviter les chutes accidentelles.
 - (4) Quand un Unicheck est installé, percer un trou de 5 mm (3/16") dans le tuyau de refoulement, de niveau avec le dessus de la pompe. Les pompes de la série 50 et 90 ont un trou d'évent intégré. **REMARQUE – LE TROU DOIT AUSSI ÊTRE AU-DESSOUS DU COUVERCLE DU PUIS ET IL FAUT LE NETTOYER RÉGULIÈREMENT** (pompes à hauteur de refoulement élevée, voir n° 3 de la première page « MISE EN GARDE »). Un jet d'eau sera visible de cette orifice durant les périodes de fonctionnement de la pompe.
 - (5) Attacher fermement le cordon d'alimentation électrique sur le tuyau de refoulement en utilisant du chatterton ou des colliers.
 - (6) Utiliser un tuyau de refoulement de pleines dimensions.
 - (7) Le puits doit être conforme à tous les règlements applicables.
 - (8) Avant la mise en service, la pompe doit être de niveau et le mécanisme du flotteur ne doit pas toucher les bords du puits.
 - (9) Après l'installation, le puits doit être propre et ne doit pas contenir de débris.
 - (10) L'installateur doit fournir la vanne d'arrêt et l'installer en respectant tous les codes.
 - (11) Identifier les interrupteurs à flotteur indiqués dans les illustrations. Le point d'arrêt doit être au-dessus du carter du moteur et à 180° de l'admission. Le point d'arrêt ne se doit trouver jamais au-dessous du refoulement de la pompe (uniquement pour les systèmes d'eaux usées et d'effluent). **REMARQUE - pour les pompes automatiques, utiliser le schéma d'installation pour l'assèchement ci-dessous.**
 - (12) Pour éviter la propagation des gaz et des odeurs, toutes les installations doivent avoir des joints étanches.
 - (13) Les gaz et les odeurs sont évacués à l'atmosphère au moyen d'un tuyau d'évent. (uniquement pour les systèmes d'eaux usées et d'assèchement).
 - (14) Installer la base de pompe Zoeller (modèle 10-2421) sous la pompe pour former un bassin de décantation (uniquement pour les systèmes d'effluent et d'assèchement). **Uniquement pour les systèmes d'effluent :**
 - (15) Brancher l'alimentation de la pompe par l'intermédiaire d'un boîtier étanche Zoeller ou d'une épissure étanche. **REMARQUE – Le boîtier étanche est une nécessité absolue dans un milieu humide. Voir le n° 8 à la première page de FM0732.**
 - (16) Consulter le manuel de dimensions pour les égouts de SSPMA afin de déterminer le modèle d'interrupteur de marche / arrêt à utiliser.
 - (17) Un accès à la fosse septique doit être prévu pour l'entretien du filtre et de la pompe.
- REMARQUE – Les pompes à joint double offrent une protection supplémentaire contre les dommages causés par la défaillance du joint.**



INSTALLATION TYPIQUE
POUR L'ASSÈCHEMENT MÉCANIQUE



INSTALLATION TYPIQUE
POUR ÉGOUT

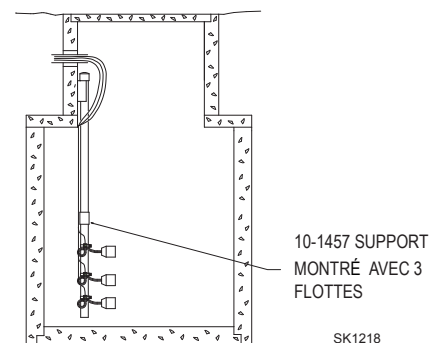
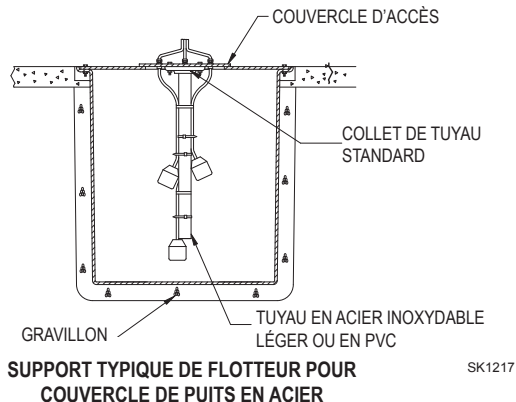


INSTALLATION TYPIQUE
POUR LES EFFLUENTS

Toutes les installations doivent être conformes aux codes électriques et de plomberie applicables, y compris, mais pas limité aux codes électriques nationaux, locaux, régionaux et aux codes de plomberie provinciaux. Pas conçu pour utilisation dans les endroits dangereux.

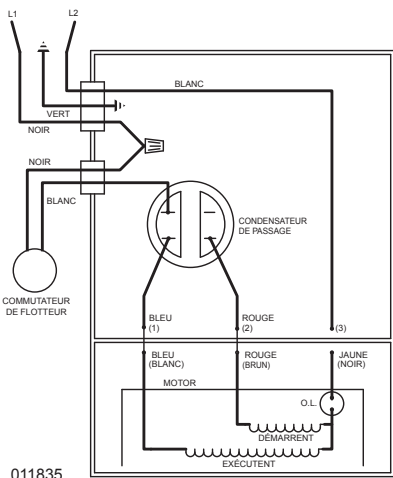
MÉTHODES SUGGÉRÉES POUR L'INSTALLATION DU FLOTTEUR

Pour certaines installations, il peut être nécessaire d'installer un support indépendant pour les interrupteurs de commande de niveau pour éviter des accrochages possibles sur la pompe, la tuyauterie, les vannes, etc. Il est possible de fabriquer les supports de flotteur en utilisant des tuyaux et des raccords standard pour faciliter la dépose en cas de réparation. Les supports de flottes sont disponible chez Zoeller tel que décrit au feuillet FM0526 ou peuvent être fabriqué avec de la tuyauterie et des raccords standard.



SUPPORT DE FLOTTES TYPIQUE POUR PUISARD EN BÉTON OU POUR PUIT D'ACCÈS DE FOSSE SEPTIQUE

Installation des modèles WD et WH



011835

SCHÉMA ÉLECTRIQUE POUR LES MODÈLES

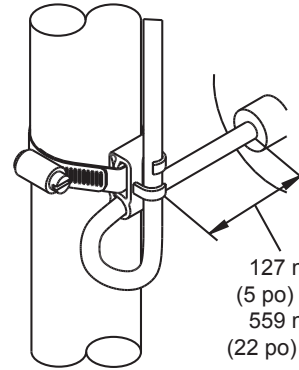
WD - 230 V, monophasé, 60 Hz
WH - 200/208, monophasé, 60 Hz

Définition de la plage de pompage en pouces (1 pouce = 2,5 cm)

Longueur du bras d'attache	5 min.	10	15	20	22 max.
Plage de pompage	9	13.5	18	22	24

Ce tableau ne doit être utilisé que comme guide. À cause du poids du câble, la plage de pompage au-dessus de l'horizontale n'est pas égale à la plage de pompage au-dessous de l'horizontale. Les plages sont basées sur des essais sans turbulence. La plage peut varier en fonction de la température de l'eau et de la forme du cordon. Plus le bras est long, plus les variations de plage de pompage sont importantes.

Les modèles WD et WH sont entièrement automatiques. Un interrupteur à flotteur est inclus et branché dans le circuit de la pompe pour permettre le fonctionnement automatique après avoir installé l'interrupteur à flotteur correctement sur le tuyau de refoulement. Il faut utiliser le schéma ci-dessus pour attacher correctement l'interrupteur à flotteur et obtenir un bras approprié pour modifier le cycle de marche-arrêt pour chaque application.



Interrupteur 20 amps (modèles WD et WH)

Remarque – L'interrupteur risque de mal fonctionner si le câble d'attache n'est pas maintenu dans les limites appropriées.

Remarque – Le câble doit être installé horizontalement.

Instructions de branchement monophasé



AVERTISSEMENT

POUR DES RAISONS DE SÉCURITÉ, IL FAUT TOUJOURS DÉBRANCHER L'ALIMENTATION ÉLECTRIQUE DE LA POMPE AVANT L'INTERVENTION. Les pompes monophasées sont fournies avec une fiche à trois broches pour aider à protéger contre les risques d'électrocution. **IL NE FAUT JAMAIS ENLEVER LA BROCHE DE TERRE.** La fiche à trois broches **doit** être branchée dans une prise à trois alvéoles correspondantes. Si le circuit d'alimentation n'a pas une telle prise, il faut installer une prise du type approprié, branchée et mise à la terre selon le code national de l'électricité et tous les codes et règlements locaux appropriés.



AVERTISSEMENT

« **Risque d'électrocution** ». Il ne faut pas enlever le cordon d'alimentation et le serre-câble ni brancher directement la pompe.

AVERTISSEMENT

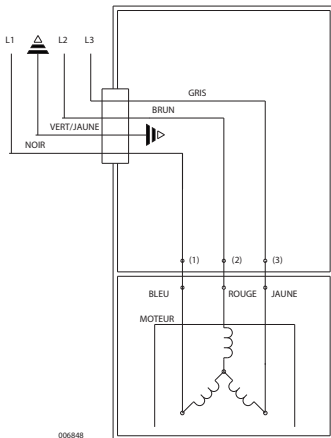
L'installation et la vérification des circuits électriques et de la quincaillerie doivent être faites par un électricien qualifié.

AVERTISSEMENT

Les unités non équipées d'une fiche (monophasée et triphasée) et les unités non automatiques monophasées à fiche de 20 ampères doivent être dotées d'une commande de moteur et d'un régulateur de niveau de liquide lors de l'installation. La tension, l'intensité, la fréquence, la mise à la terre et la puissance du dispositif de commande doivent s'accorder à la pompe sur lequel il est branché.

Instructions de branchement triphasé

Pompe non-automatique triphasée



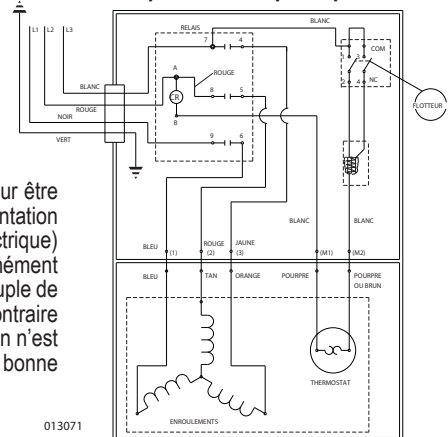
006848

Les pompes triphasées ne sont pas automatiques. Pour qu'elles fonctionnent automatiquement, il faut installer un panneau de commande. Pour brancher le système, suivre les instructions fournies avec le panneau de commande. Pour trois phases automatique les pompes voient le diagramme de câblage automatique de 3 phases situé vers le droit.

Avant d'installer la pompe, vérifier la rotation de la pompe pour être certain que les fils ont été branchés correctement sur l'alimentation et que le fil vert du cordon d'alimentation (voir schéma électrique) est branché sur une bonne terre. Mettre la pompe momentanément sous tension et observer la direction du retour causé par le couple de démarrage. La rotation est correcte si le retour est en sens contraire à la flèche de rotation dans le carter de la pompe. Si la rotation n'est pas correcte, inverser deux des fils de phase pour obtenir la bonne direction de rotation.

Toutes les pompes triphasées doivent être équipées d'un dispositif de démarrage, avec dispositif de protection contre la surcharge. Voir FM0486 pour les installations duplex. La pompe **doit** être branchée conformément au code national de l'électricité et tous les codes et règlements locaux appropriés. Il ne faut pas installer les pompes dans un endroit classé dangereux conformément au code national de l'électricité, ANSI/NFPA 70.

Pompe automatique triphasée



013071



AVERTISSEMENT

POUR DES RAISONS DE SÉCURITÉ, IL FAUT TOUJOURS DÉBRANCHER L'ALIMENTATION ÉLECTRIQUE DE LA POMPE AVANT L'INTERVENTION.

REMARQUE IMPORTANTE. – Certaines polices d'assurance commerciales et résidentielles couvrent les dommages résultant d'une défaillance du produit. Dans la plupart des cas, vous devez être en possession du produit pour déposer une réclamation. Zoeller Pump Co. s'engage à remplacer l'appareil ou à rembourser le prix d'achat original après que l'assureur aura réglé la réclamation dans un cas où vous êtes tenu d'être en possession du produit pour documenter une réclamation soumise à votre assureur.

Il s'agit ici d'une traduction des instructions d'origine.