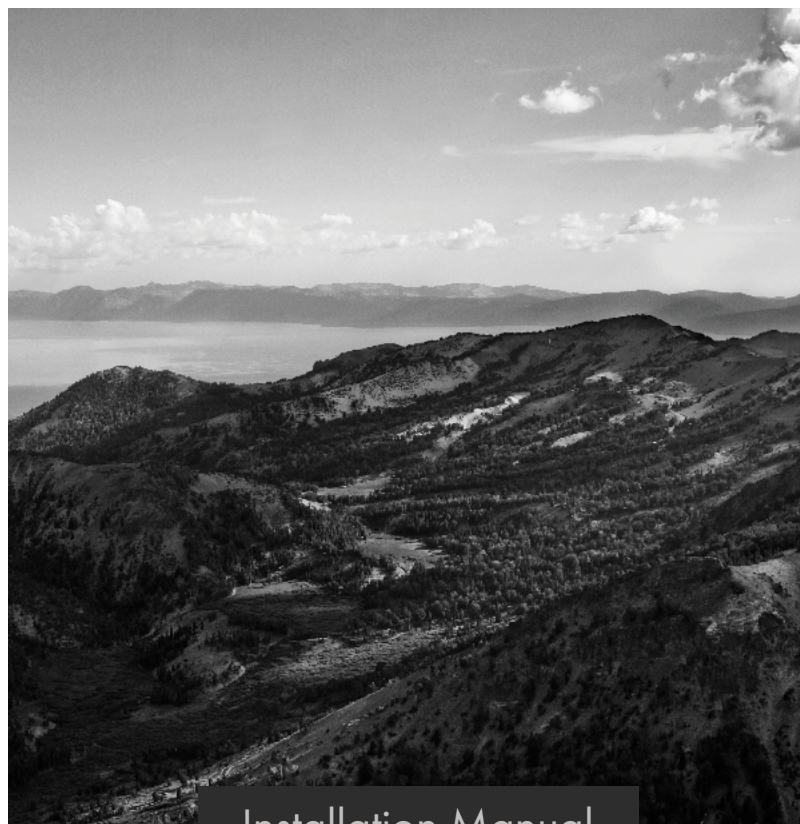


ZLINE

ATTAINABLE LUXURY[®]



Installation Manual

MICROWAVE DRAWER

www.zlinekitchen.com

This page left intentionally blank.



ZLINE Kitchen and Bath provides Attainable Luxury, where the kitchen and bath of your dreams is never out of reach. Through our unique designs and unparalleled quality, we're dedicated to providing you an elevated experience in the heart of your home. With an endless selection of features and finishes, our inspiration is your reality.

ZLINE
ATTAINABLE LUXURY®



ZLINE is fueled by a passion for innovation; A relentless pursuit of bringing the highest end luxury designs and professional features into everyone's homes.

Because we continually strive to improve our products, we may change specifications and designs without prior notice.

Scan the QR code to view the most up-to-date version of the Installation Manual and User Manual.

⚠ WARNING: This product can expose you to chemicals including nickel, which is known to the State of California to cause cancer. For more information, go to www.P65Warnings.ca.gov.

TABLE OF CONTENTS

IMPORTANT SAFETY INSTRUCTIONS.....	1
BEFORE INSTALLATION.....	5
Product Specifications	5
Electrical Connection	7
INSTALLATION	8
Cutouts And Clearances.	8
Electrical Outlet And Anti-Tip Block	11
Installing The Drawer	12
Handle Installation	13
Trim Kit Installation	14
WARRANTY.....	21

IMPORTANT SAFETY INSTRUCTIONS



WARNING

- Before installation and operation, please read and follow these important instructions for the safety of your home and the people living in it.
- Installation and service must be performed by a qualified installer. The oven should not be adjusted or repaired by anyone except properly qualified service personnel.
- **IMPORTANT:** Save this installation manual for local electrical inspector's use and for your own future reference.
- This device complies with part 18 of the FCC Rules.
- Do not attempt to operate this oven with the door open since open-door operation can result in harmful exposure to microwave energy. It is important not to destroy or tamper with the safety interlocks.
- Do not place any object between the oven front face and the door or allow soil or cleaner residue to accumulate on sealing surfaces.
- Do not operate the oven if it is damaged. It is particularly important that the oven door closes properly and that there is no damage to the:
 - Door (bent or broken)
 - Hinges and latches (broken or loosened)
 - Door seals and sealing surfaces (dirty or eroding)
- When using electrical appliances, basic safety precautions should be followed.
- To reduce the risk of burns, electric shock, fire, personal injury, or exposure to excessive microwave energy, read all instructions before using the appliance.

IMPORTANT SAFETY INSTRUCTIONS

- This appliance must be grounded or connected to a properly grounded outlet.
- Install this appliance only in accordance with the provided installation instructions.
- Some products such as whole eggs and sealed containers (i.e. closed glass jars) should not be heated in this oven.
- Use this appliance only for its intended use as described in the manual. Do not use corrosive chemicals or vapors in this appliance. This type of oven is specifically designed to heat, cook, or defrost food. It is not designed for industrial or laboratory use.
- As with any appliance, close supervision is necessary when used by children.
- Cleaning and user maintenance shall not be made by children without supervision. Keep the appliance and its cord out of reach of children.
- Do not operate this appliance if it has a damaged electrical cord or plug, if it is not working properly, or if the entire unit has been damaged.
- Do not cover or block any openings on the appliance.
- Do not immerse cord or plug in water.
- Keep cord away from heated surfaces.
- Do not let cord hang over edge of table or counter.
- Do not use paper products when appliance is operated in the convection or baking mode.
- Do not store this appliance outdoors. Do not use this product near water — for example, near a kitchen sink, in a wet basement, near a swimming pool, or similar locations.

IMPORTANT SAFETY INSTRUCTIONS

- When cleaning surfaces of the door and oven that come together when closing the door, use only mild, nonabrasive soaps or kitchen-safe cleaners applied with a sponge or soft cloth. Do not clean with metal scouring pads. Pieces can burn off the pad and touch electrical parts, increasing risk of electric shock.
- To reduce the risk of fire inside the oven:
 - Do not overcook food. Carefully oversee appliance when paper, plastic, or other combustible materials are placed inside the oven to facilitate cooking.
 - Remove wire twist-ties from paper or plastic bags before placing bag in oven.
 - If material inside of the oven ignites, keep oven door closed, turn oven off, and disconnect the power cord, or shut off power at the fuse or circuit breaker panel.
 - Do not use the microwave for storage purposes. Do not leave paper products, cooking utensils, or food inside when not in use.
 - Do not store any materials, other than manufacturer's recommended accessories, in this oven when not in use.
- **HOT CONTENTS CAN CAUSE SEVERE BURNS. DO NOT ALLOW CHILDREN TO USE THE MICROWAVE.** Use caution when removing hot items.

IMPORTANT SAFETY INSTRUCTIONS

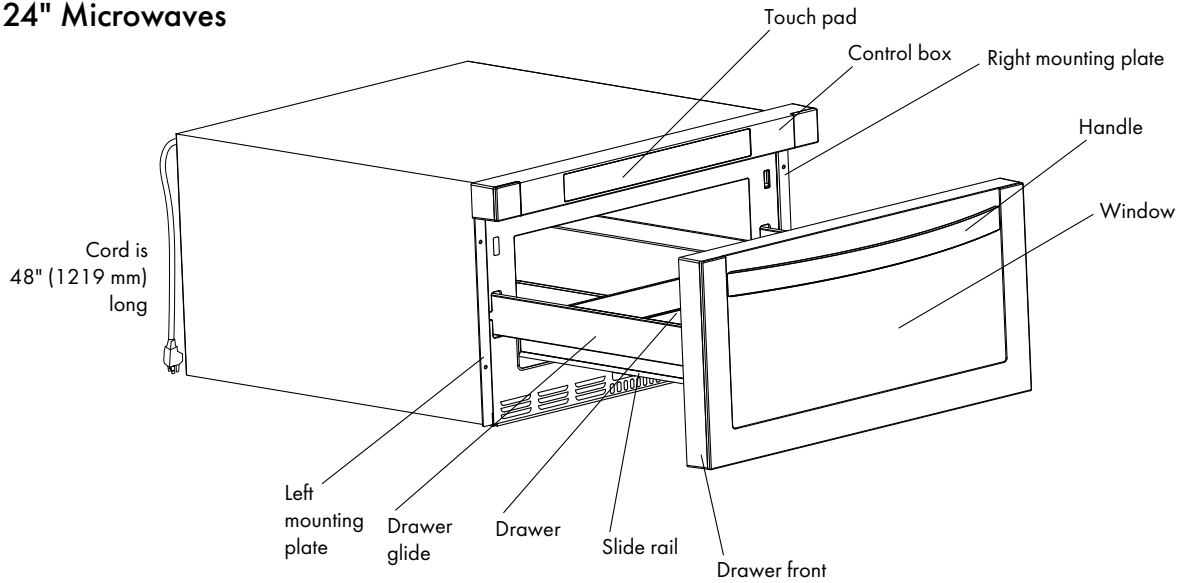
- Liquids such as water, coffee, or tea may be heated beyond the boiling point without appearing to be boiling.
- Visible bubbling or boiling when the container is removed from the microwave oven is not always present. THIS COULD RESULT IN VERY HOT LIQUID SUDDENLY BOILING OVER WHEN THE CONTAINER IS DISTURBED.
- To reduce the risk of injury:
 - Do not overheat liquid.
 - Stir the liquid before and halfway through heating it.
 - Do not use straight sided containers with narrow necks.
 - After heating, allow the container to stand in the microwave oven for a short time before removing the container.
 - Use extreme care when inserting a spoon or other utensils into the container.
- Oversized food or oversized metal utensils should not be inserted in a microwave oven as they may create a fire or risk of electric shock.
- Do not cover racks or any other part of the oven with metal foil. This will cause over-heating of the oven.
- Do not use the microwave if the oven is empty.

BEFORE INSTALLATION

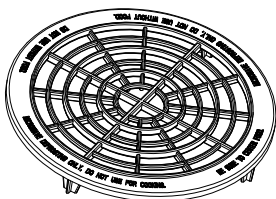
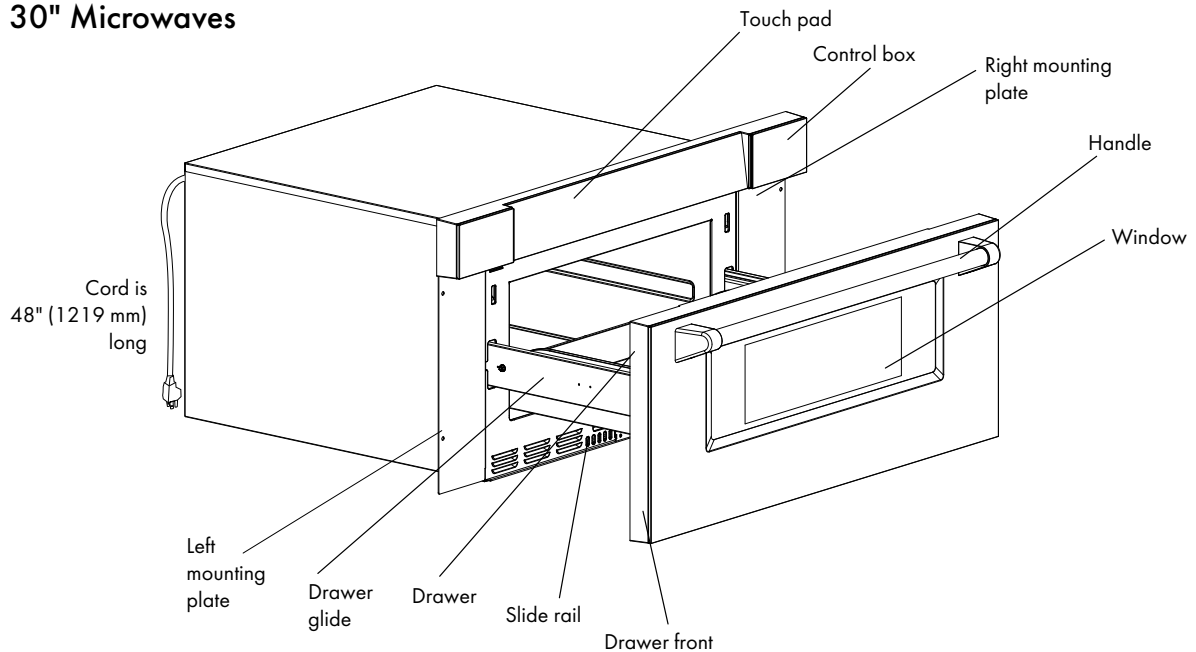
PRODUCT SPECIFICATIONS

Remove the microwave and all materials from the carton and inside the oven. Your appliance comes with the following accessories:

24" Microwaves



30" Microwaves



NOTE: Defrosting Rack should only be used in defrosting function and not used for cooking. Do not use without food.

BEFORE INSTALLATION

PRODUCT SPECIFICATIONS		
	24"	30"
Rated Voltage	120VAC, 60 Hz, 13A	120VAC, 60 Hz, 13A
Rated Input Power	1500W	1500W
Rated Output Power	1000W	1000W
Oven Capacity	1.2 Cu. Ft.	1.2 Cu. Ft.
External Dimensions (including front panel)	23 1/2" W x 23 5/16" D x 14 7/8" H (597 mm W x 592 mm D x 378 mm H)	29 3/4" W x 23 3/8" D x 15 3/4" H (756 mm W x 594 mm D x 400 mm)
External Dimensions (excluding front panel)	21 7/8" W x 21 3/4" D x 14 3/4" H (556 mm W x 552 mm D x 375 mm H)	22 1/8" W x 21 3/4" D x 14 3/4" H (562 mm W x 552 mm D x 375 mm H)
Internal Dimensions	16" W x 16" D x 7" H (406 mm W x 406 mm D x 178 mm H)	16" W x 16" D x 7" H (406 mm W x 406 mm D x 178 mm)
Net Weight	Approx 70 lb (32 kg)	Approx 76 lb (34 kg)

The maximum weight of food placed in the microwave should not exceed 11 lb (5 kg) and the height should not exceed 5 3/4" (146 mm).

MODEL AND SERIAL NUMBER LOCATION

To locate the model and serial number, open the microwave drawer fully. The label can be found on the front of the oven, underneath the touch pad.



BEFORE INSTALLATION



ELECTRICAL CONNECTION

- This appliance must be grounded. In the event of an electrical short circuit, grounding reduces the risk of electric shock by providing an escape wire for the electric current.
- This appliance is equipped with a cord having a grounding wire with a grounding plug. The plug must be plugged into an outlet that is properly installed and grounded.
- Improper grounding may result in electrical shock.
- Consult a qualified electrician or service person if the grounding instructions are not completely understood, or if doubt exists as to whether the appliance is properly grounded.
- Touching some of the internal components can cause serious personal injury or death. Do not disassemble this appliance. Do not plug into an outlet until appliance is properly installed and grounded.
- A short power-supply cord (48"/1219 mm) is provided to reduce the risks resulting from becoming entangled in or tripping over a longer cord.
- Longer cord sets or extension cords may be used if care is exercised in their use. We do not recommend using extension cords.
- If a long cord or extension cord is used:
 - The marked electrical rating of the cord set or extension cord should be at least as great as the electrical rating of the appliance.
 - Use only a 3-wire extension cord that has a 3-prong grounded plug and 3-slot receptacle that will accept the plug on the appliance.
 - The longer cord should be arranged so that it will not drape over the countertop or tabletop where it can be pulled on by children or tripped over unintentionally.

INSTALLATION

CUTOUTS AND CLEARANCES



CLEARANCES AND DIMENSIONS NOTICE

For safety considerations, do not install the unit in any combustible cabinetry that is not in accordance with the stated clearances.

UNPACKING YOUR MICROWAVE DRAWER

Remove all packing materials from inside the microwave. **DO NOT REMOVE THE WAVEGUIDE COVER**, located on the top of the microwave drawer. Remove the feature sticker if there is one. Check the unit for any damage, such as misaligned or bent drawer, damaged drawer seals and sealing surfaces, broken or loose drawer guides, and dents inside the unit or on the front side of the drawer. If there is any damage, do not operate the microwave drawer and contact your dealer or ZLINE.

IMPORTANT NOTES TO THE INSTALLER

Read the entire installation portion of the manual before installing the microwave drawer. Remove all packing materials before connecting the electrical supply. Observe all governing codes and ordinances. Be sure to leave these instructions with the consumer.

IMPORTANT NOTES TO THE CONSUMER

Keep this manual for the future reference. With use of any heat-generating microwave oven, there are certain safety precautions you should follow. These are listed in the operation portion of the manual. Read all and follow carefully. Be sure your microwave drawer is installed and grounded properly by a qualified installer or service technician.

IMPORTANT SAFETY INSTRUCTIONS

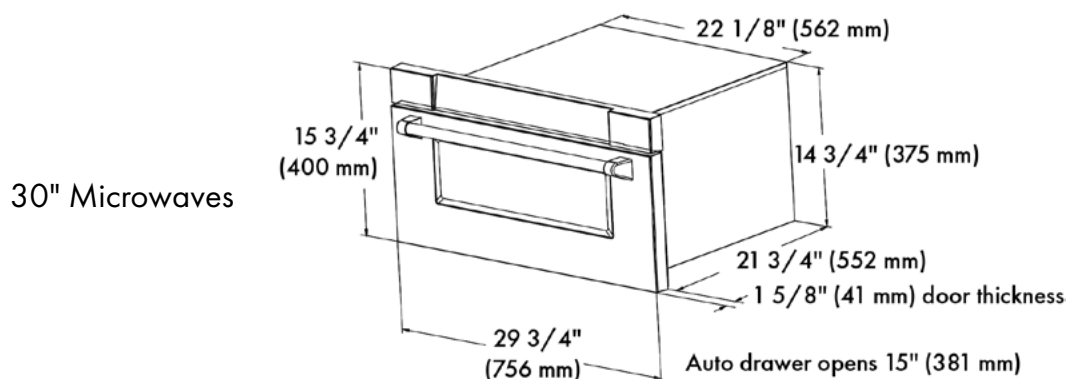
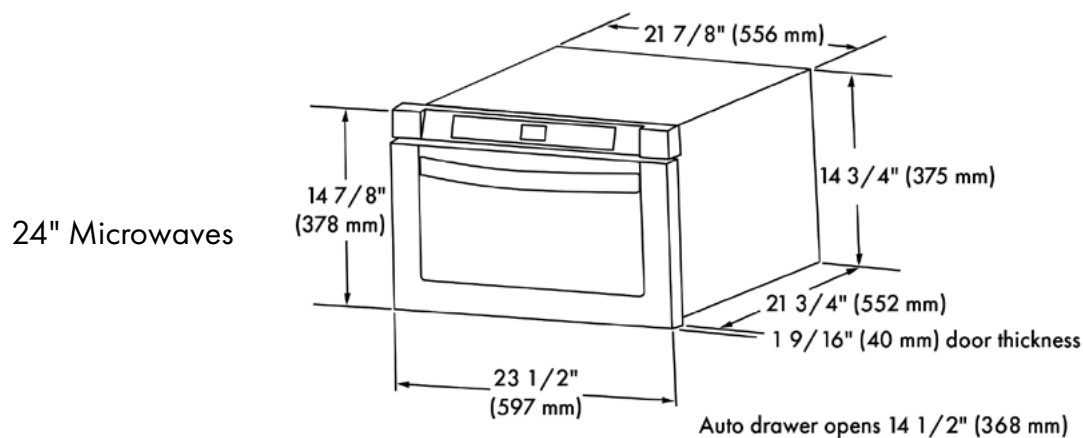
Fire or electrical shock resulting in property damage, personal injury or death may occur if the information in this manual is not followed exactly. To reduce the risk of tipping, the microwave drawer must be secured with a properly installed anti-tip block. This unit must be electrically grounded in accordance with local codes. Make sure any wall coverings and/or cabinets around the appliance can withstand the heat generated by the microwave drawer. Never leave the drawer open when the microwave is unattended. Stepping, leaning, or sitting on the drawer may result in serious injuries and may also cause damage to the microwave.

INSTALLATION

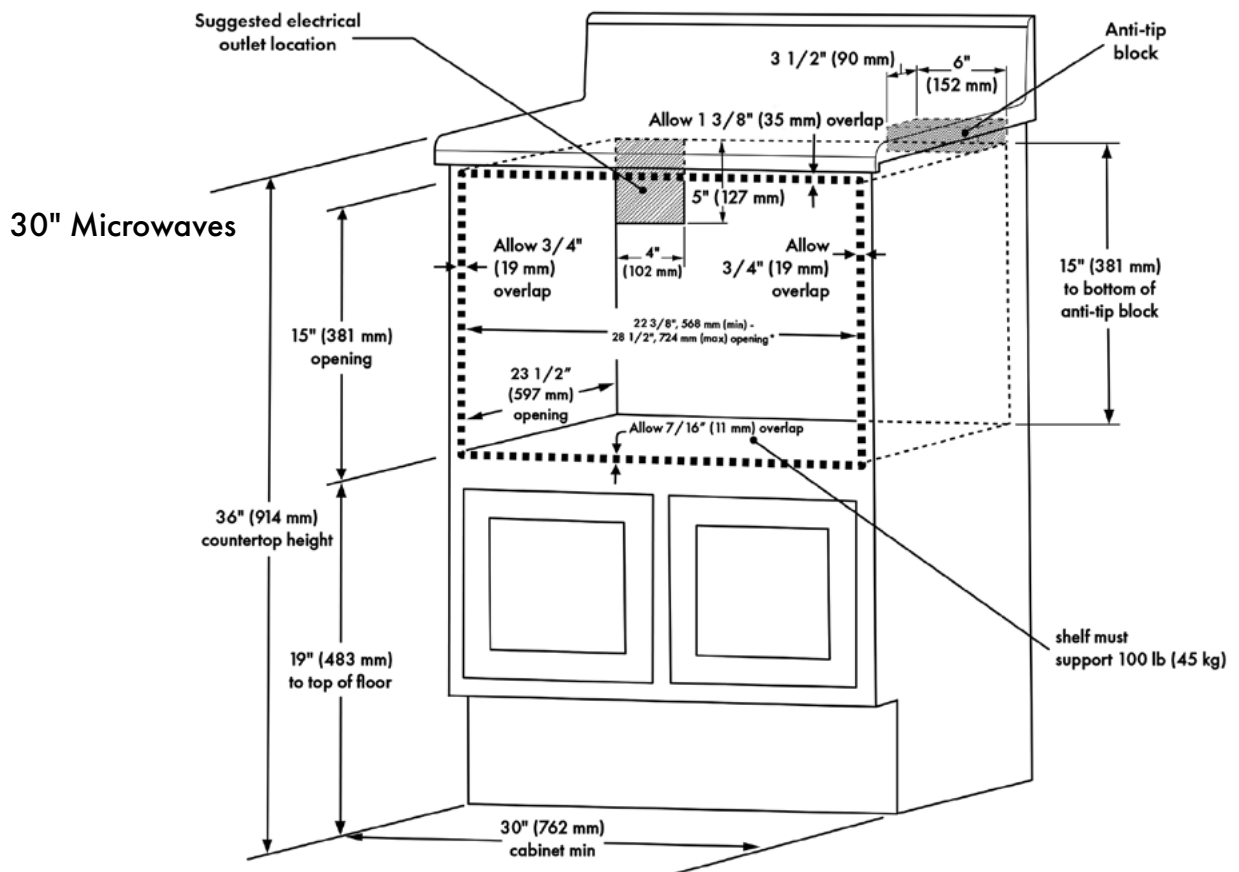
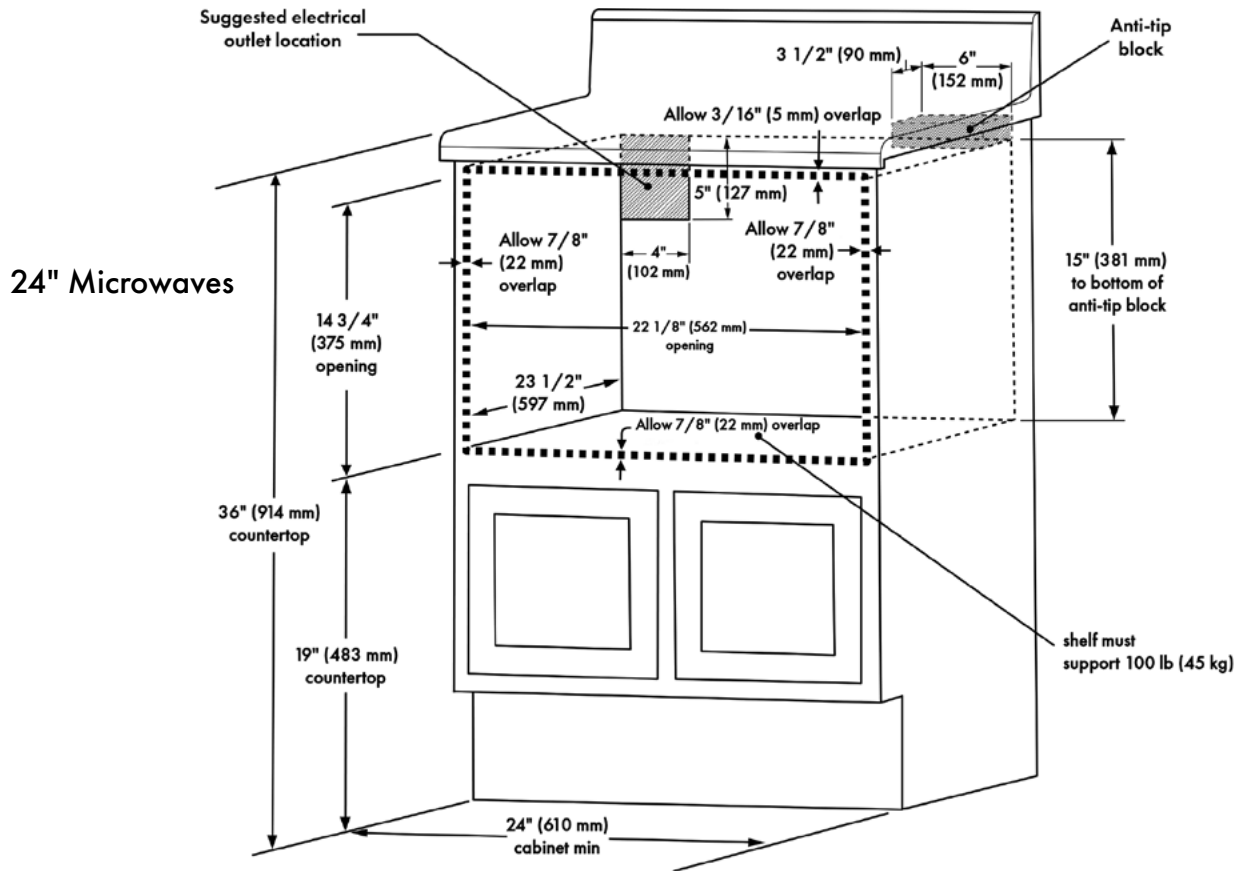
INSTALLATION NOTICES

Dimensions shown are precise, and cutout dimensions provide minimum clearances.

- Contact surface must be solid and level. The cabinet floor of the opening should be constructed of plywood strong enough to support roughly 100 lb (45 kg).
- Microwaves can be built into a cabinet by itself or under a gas or electric wall oven. Clearance between a wall oven and microwave must be a minimum of 2" (51 mm).
- The recommended electrical outlet location in the shaded area in the upper left-hand corner of the cabinet (see page 11) is for a flush-mounted outlet.
- The unit can be installed using an electrical outlet behind the cabinet or in an adjacent cabinet within an area where the provided electrical cord can reach.
- The power cord access hole inside the cabinet should have a minimum diameter of 1 1/2" (38 mm) and be free of sharp edges. Always allow sufficient power cord length to the electrical outlet location to prevent tension.
- Always consult a professional installer to confirm cabinet dimensions prior to installing the microwave, as kitchen layouts vary. This is especially important when installing a 30" (762 mm) model, as the front panel width (29 3/4", 756 mm) is considerably larger than the product width itself (22 1/8", 562 mm).

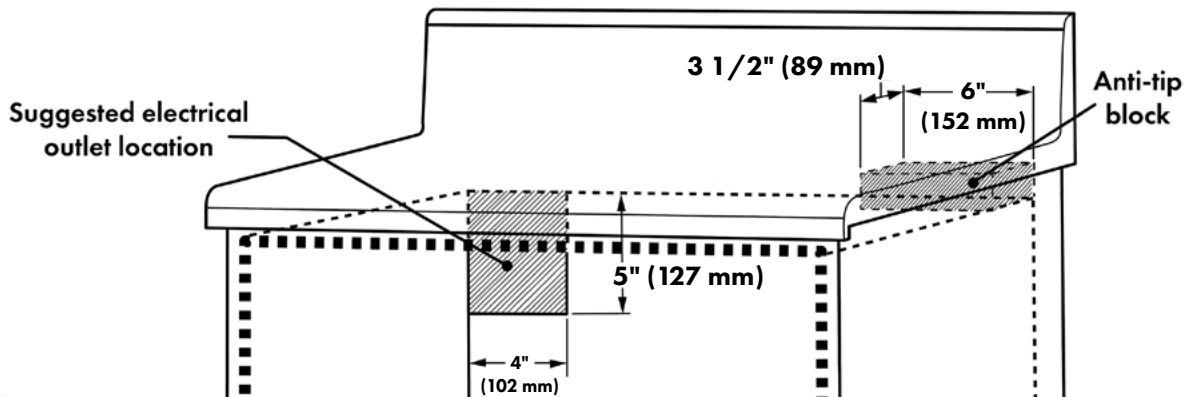


INSTALLATION



*NOTE: Cabinet opening width varies with the 30" model. See page 12 for details.

INSTALLATION



ELECTRICAL OUTLET AND ANTI-TIP BLOCK

- To reduce the risk of tipping the drawer, an anti-tip block must be located a minimum of 15" (381 mm) above the cabinet floor on which the microwave drawer will sit, as outlined above. A wooden 6" (152 mm) anti-tip block must be provided by the installer. The anti-tip block prevents serious injury that might result from spilled hot liquids.
- If the drawer is moved to a different location, the anti-tip block must be moved and re-installed. When secured to the wall, make sure the screws completely penetrate the wall and are secured in wood or metal so the block is totally stable. When fastening, be sure screws do not penetrate electrical wiring or plumbing.
- The electrical requirements are 120VAC, 60Hz, 13A. It is recommended that a separate circuit serving only this appliance be provided.
- The drawer is equipped with a 3-prong grounding plug. Should you only have a 2-prong outlet, have a qualified electrician install a properly grounded 3-prong outlet.
- The suggested electrical outlet location in the shaded area is for a flush-mounted outlet. The outlet cannot be located in a surface-mounted box unless additional depth is allowed to maintain the 23 1/2" (597 mm) cabinet depth as noted on page 10.
- The drawer can be installed using an outlet behind or in an adjacent cabinet. ALWAYS check if the electrical cord can reach prior to installation.

GROUNDING INSTRUCTIONS

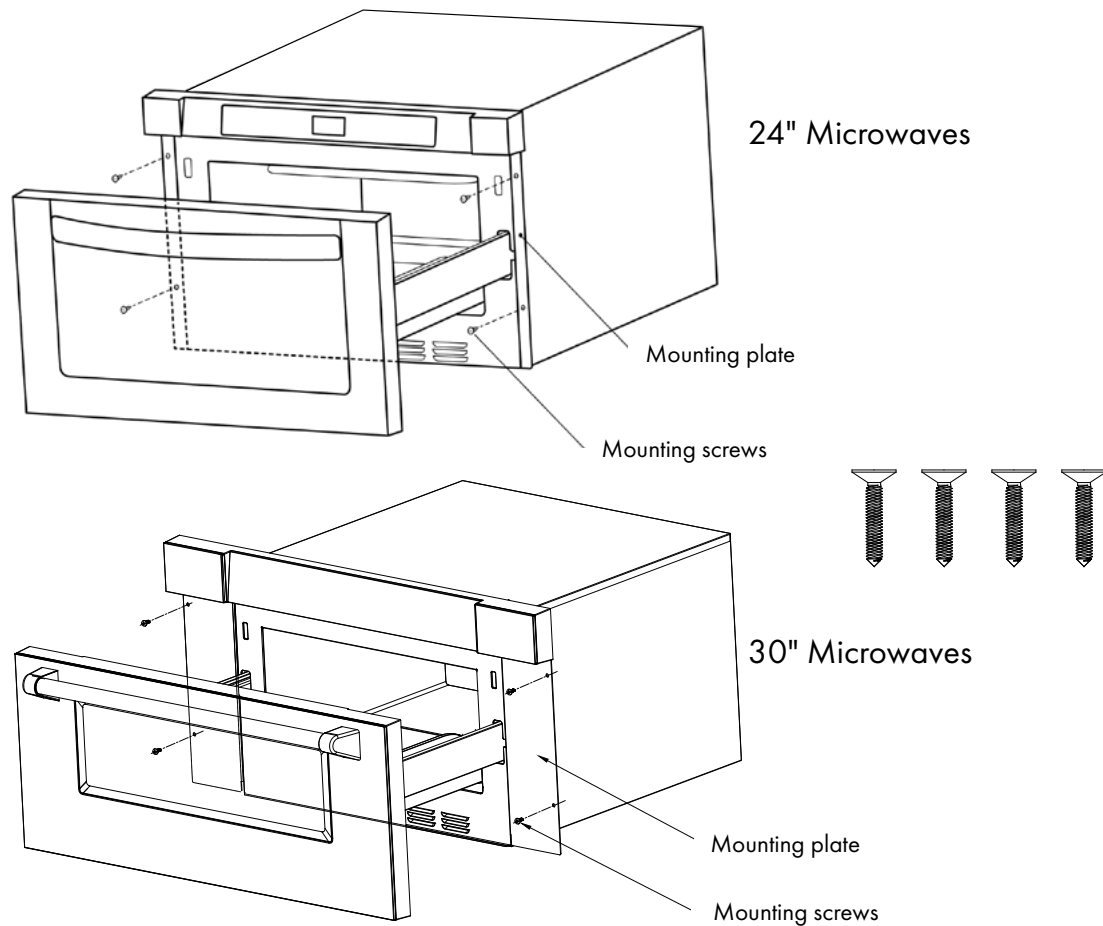
The microwave drawer must be plugged into a wall receptacle that is properly installed and grounded in accordance with the National Electrical Code along with local codes and ordinances. In the event of an electrical short circuit, grounding reduces risk of electrical shock by providing an escape wire for the electrical current.



Improper use of the grounding plug can result in the risk of electric shock. We do not recommend using an extension cord. If the power supply cord is too short, have a qualified electrician or service person install an outlet near the appliance.

INSTALLATION

INSTALLING THE DRAWER



Place the drawer near the cabinet opening. Plug the power cord into the electrical outlet.

1. Carefully guide the drawer into the opening. Avoid pinching the power cord.
2. Slide the drawer until the mounting plates are flush with the face of the cabinet.
3. Open the drawer. Using 4 screw holes as a template, pre-drill the cabinet with a 1/16" bit and secure the drawer with the four screws supplied.

IMPORTANT CABINET CUTOUT NOTES:

- For 30" models, note the difference in width between the front panel (29 3/4", 756 mm) and the product itself (22 1/8", 562 mm). While the minimum cutout width is 22 3/8" (568 mm), the screw holes to mount the drawer are located on the edge of the front panel and as such must be secured to the cabinet in this manner.
- For 24" models, note the cutout height (14 3/4", 375 mm) is the same height as the product itself. This is recommended to ensure a flush installation considering the front panel height (14 7/8", 378 mm) is only slightly higher. A cutout height of 14 13/16" (376 mm) might be suitable for some installations.
- Always consult a professional installer to confirm dimensions prior to installation.

INSTALLATION HANDLES

HANDLE INSTALLATION

NOTE: The Allen/hex key needed to remove the handle is only included with Autograph Edition handles (Champagne Bronze, Gold, and Matte Black).

Autograph Edition handles



1. Locate the holes on the underside of each handle base.
2. Using a 7/64" Allen/hex key, turn counter-clockwise to loosen both the left and right set screws.
3. Carefully remove the handle. If installing an Autograph Edition handle, carefully place the new handle on the mounting studs. Then, using the Allen/hex key, tighten the left and right set screws in a clockwise motion until the handle is firmly in place.



Scan to follow along with a video.

INSTALLATION TRIM KIT

TRIM KIT INSTALLATION

NOTE: This trim kit is available for purchase as a separate accessory for ZLINE's 24" microwave drawer in stainless steel only. The trim kit is only available for the 24" unit; it is not available in black stainless.













INSTALLATION TRIM KIT

TOOLS NEEDED:

- Phillips-head screwdriver
- Marker
- Drill

PARTS INCLUDED:

PART	QUANTITY	IMAGE
Outer trim (1)	1	
Support beam (2)	2	
Front bracket (1)	1	
Rear bracket (1)	1	
Buckle seat (4)	4	
Buckle (4)	4	
Finishing washers (4)	4	
#1 Screw (4)	4	
#2 Screw (16)	16	
#3 Screw (2)	2	

INSTALLATION TRIM KIT

1. Lay the support beams flat on the bottom of the cabinet cutout with the open sides facing each other (see *Figure 1*).

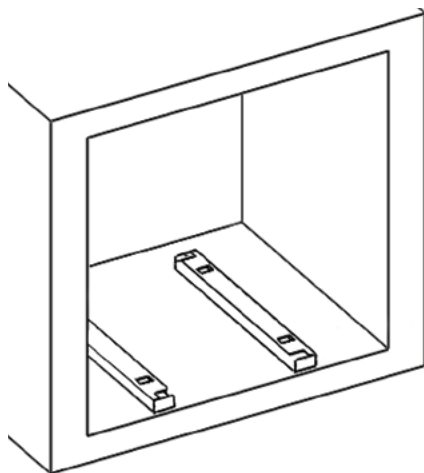


Figure 1

To gauge proper width, temporarily place the rear and front brackets onto the support beams so the rear bracket lips slide into rear holes on top of the beams and the front screw holes match to the front of the beams (see *Figure 2*).

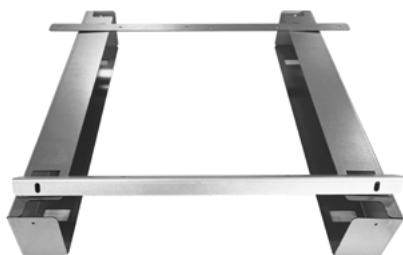


Figure 2

Once aligned, secure the beams by fastening the four #1 screws with washers into the cabinet base below (see *Figure 3*).

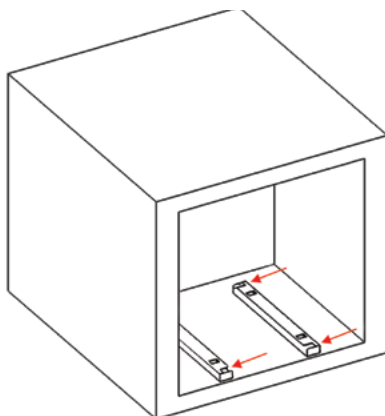


Figure 3

INSTALLATION TRIM KIT

2. Remove the screws from the front bottom of your microwave. Using two of those screws, secure the front bracket to the bottom of the microwave, ensuring the lip of the bracket is extending down and facing you. Next, remove the screws from the back bottom of the microwave and fasten the rear bracket, ensuring the two small lips are extended down and facing back (see *Figures 4 and 5*).

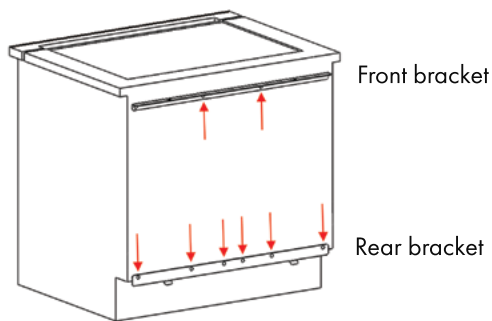


Figure 4

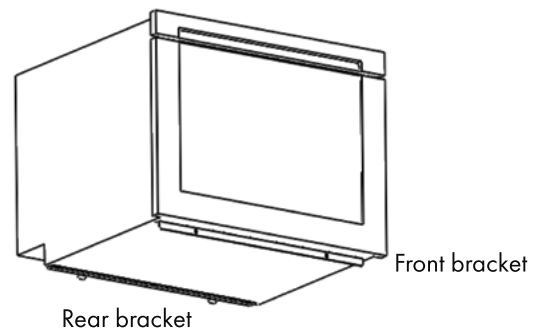


Figure 5

3. Lay the outer trim face down and, using eight of the #2 screws, install the four buckles on the corresponding mounting holes around the trim kit (see *Figure 6*). Make sure to use the same series of mounting holes on each corner, depending on your cabinet cutout (see *Figure 7*).

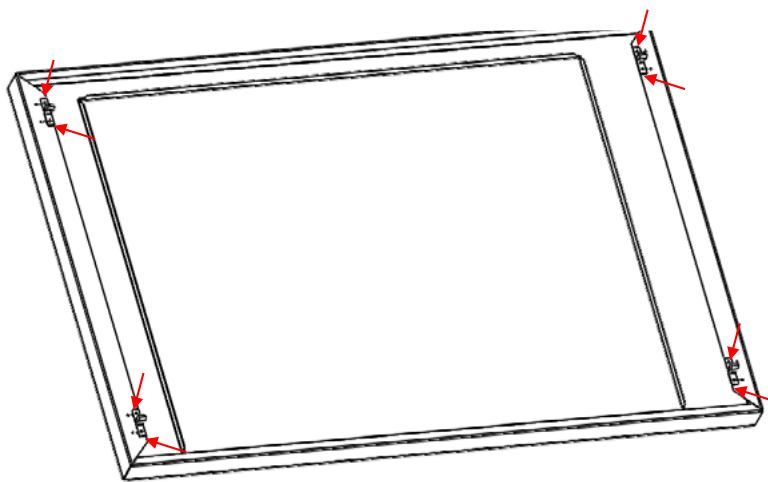


Figure 6

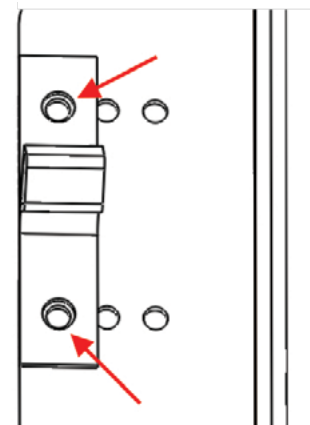


Figure 7

INSTALLATION TRIM KIT

4. Next, slide the outer trim into the cabinet cutout and use a marker or pencil to mark where the buckles line up. Then, remove the trim and secure the four buckle seats into the cabinet using the other eight #2 screws (see *Figure 8*). Make sure the clamp of the bucket seats are facing toward you (see *Figure 9*).

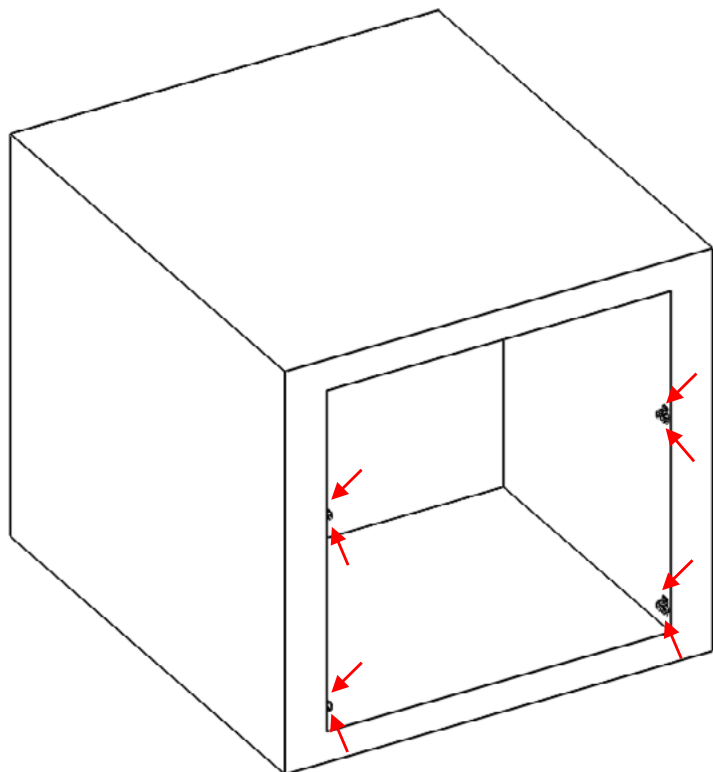


Figure 8

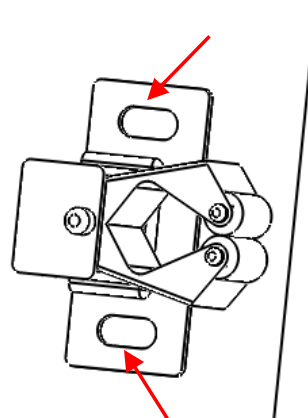
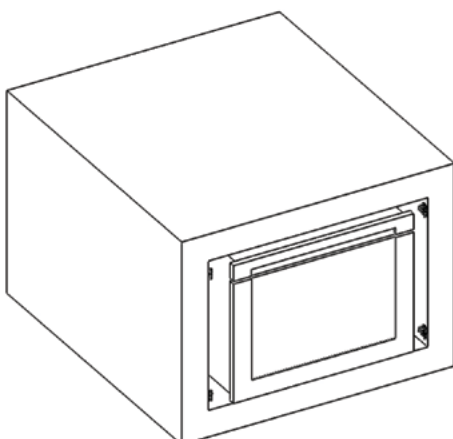
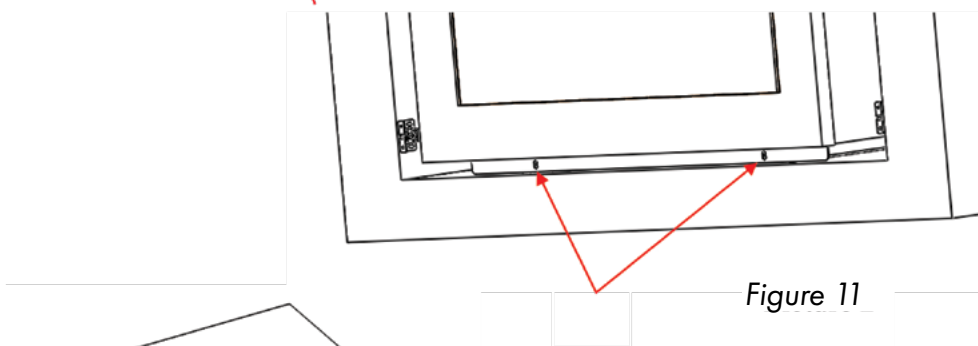
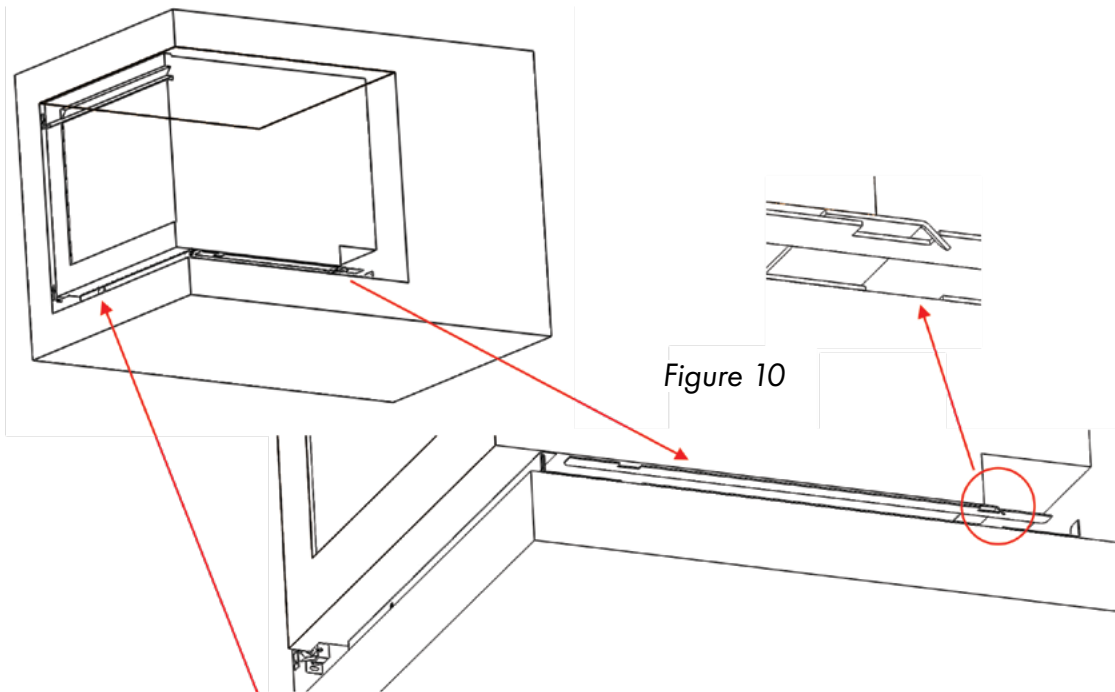


Figure 9

INSTALLATION TRIM KIT

5. Using two people, lift the microwave and push it into the cabinet until the two small lips in the rear bracket slide into both holes in the rear of the support beams fastened in Step 1 to the bottom of the cutout (see *Figure 10*).
6. Use the two #3 screws to fasten the front bracket to the front of both support beams (see *Figure 11*). The microwave should now be firmly secured inside the cabinet cutout (see *Figure 12*).



INSTALLATION TRIM KIT

7. Insert the outer trim kit into the cutout (see *Figure 13*). Clip each buckle onto its corresponding buckle seat to complete the trim kit installation (see *Figure 14*).

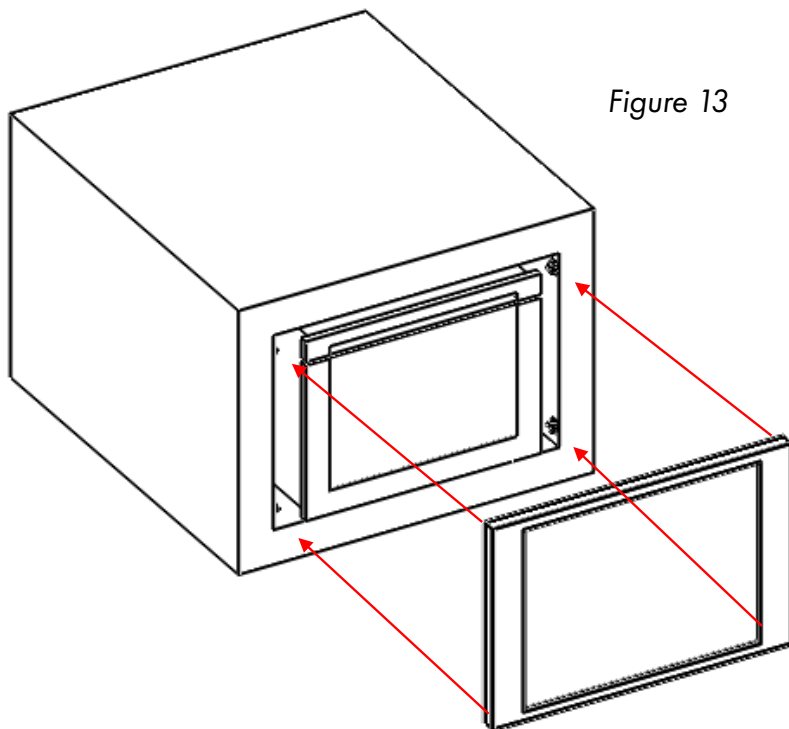


Figure 13

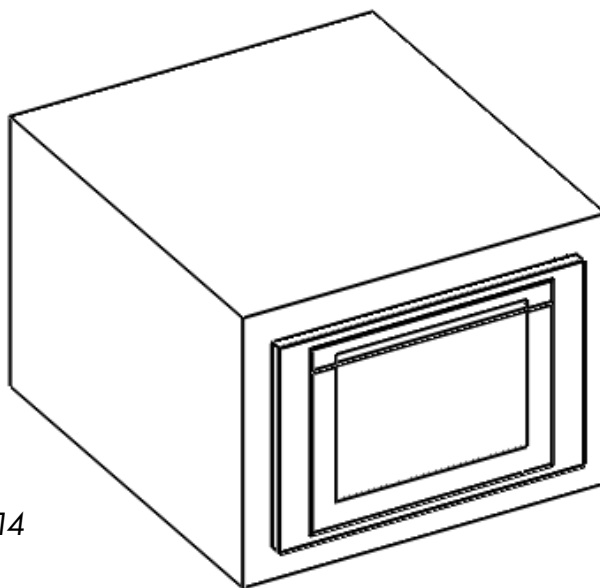


Figure 14

WARRANTY

COVERAGE

ZLINE Kitchen and Bath ("ZLINE") microwave parts will be warrantied for two years from the original purchase date for the original purchaser of the product.

ZLINE warranty periods begin from the original purchase date of the product and solely cover the original purchaser of the product, delivered new and in its original carton. ZLINE will provide free-of-charge, non-consumable replacement parts for the components that failed due to manufacturing defects.

It is the responsibility of the customer to install all replacement parts, as ZLINE does not perform service repairs on its microwave products.

ZLINE's liability is limited to the original purchase price of the product. Additional injuries, losses, damages, or other inconveniences caused by product malfunction or defects in materials are not covered under the terms of this warranty.

TERMS

ZLINE warranties apply only to the original purchaser of a ZLINE product installed for normal residential use. This is defined as a single-family, residential dwelling in a non-commercial setting. Any warranty claim stemming from installation, operation, or any other use within a commercial setting is not covered under this limited warranty.

Commercial settings include, but are not limited to: schools, churches, hotels, restaurants, vacation rentals such as Airbnb, daycare centers, private clubs, fire stations, common areas in multi-family dwellings, nursing homes, food service locations, and institutional food service locations such as hospitals or correctional facilities.

This warranty is non-transferable and will not under any circumstance be extended based on the date of installation — the warranty period takes effect from the date of purchase and only covers the original purchaser. The warranty applies only to products installed in the contiguous United States and the District of Columbia.

WARRANTY

Out-of-pocket payments will not be reimbursed for replacement parts unless prior approval is received from ZLINE. Unapproved out-of-pocket payments for parts will not be reimbursed. Out-of-pockets for any type of service will not be reimbursed, as ZLINE does not perform service repairs on its microwave products. All warranty procedures must be followed to maintain warranty coverage.

If ZLINE is unable to replace the defective part after a reasonable number of attempts, ZLINE reserves the right to offer to replace the product or provide the original purchaser a full refund of the purchase price of the product (not including installation, removal, or other charges that were not included in the original purchase price).

The original purchaser of the product must provide the original proof of purchase, including the purchase date, when filing a claim to obtain replacement parts or refunds. Additionally, the original purchaser of the product must provide the serial number of the product when filing a claim to obtain replacement parts or refunds.

This warranty shall not apply to any ZLINE product in which the original factory serial number has been removed, altered, or cannot be readily determined for any reason. Further, ZLINE is not responsible for damage resulting from, but not limited to: shipment, delivery, or improper installation; negligence or improper maintenance, misuse, or abuse of the product; unauthorized alteration, modification, or tampering with the product; accident, fire, floods, pest infestations, pandemics, natural disasters, or any other unpreventable or unexplained acts of nature, commonly referred to as "acts of God"; flare-up fires or damages caused by improper electric supply, electrical line current, voltage, or power surges; and service to correct installation not in accordance with the instructions contained in ZLINE's product manuals and/or with local government codes.

Additionally, this microwave warranty does not apply to aesthetic damage, scratches, or natural wear caused by normal use; second-hand, open box products, or products purchased from an unauthorized retailer; consumable parts including, but not limited to, metal and charcoal filters; and damages, problems, or any type of performance-related issues stemming from alteration or tampering with the microwave, including, but not limited to, painting stainless steel, black stainless, or DuraSnow® finishes or any portion of the product's interior or exterior, and cutting the 3-prong plug to manually hardwire the product.

WARRANTY

Information contained within ZLINE's installation and user manuals, in addition to product information included on ZLINE's website and all related digital listings, do not cover every possible condition and situation that may occur during the installation or operation of ZLINE products.

ZLINE reserves the right to make changes at any time to its products when considered safe, necessary, and useful. Always check the ZLINE website for the most up-to-date version of its product manuals: www.zlinekitchen.com/pages/manuals.

Do not install or operate any ZLINE product if it has missing or broken parts or if it arrives damaged due to shipping. If ZLINE products arrive damaged, contact ZLINE Customer Experience at 1-614-777-5004 for help. Failure to report a damaged appliance prior to installation or operation may void the warranty. ZLINE does not perform service repairs on its microwave products.

ZLINE disclaims responsibility for damage or injury caused by improper installation or use of any of its products. ZLINE is under no obligation, by law or otherwise, to provide concessions, including repairs, prorates, rebates, discounts, or replacements, once the warranty has expired.

SERIAL NUMBER LOCATION



The rating tag shows the model and serial number of your appliance. Please write down the model number and serial number of your appliance. The serial number is located below the control pad on the microwave. The tag is visible when the microwave door is open. Both are needed to obtain warranty assistance. Do not remove permanently affixed labels, warnings, or plates from the product. This will void the warranty. You may also consider attaching your receipt or proof of purchase to this manual.

WARRANTY

CUSTOMER SERVICE AND PARTS INFORMATION



Please contact ZLINE Customer Service for questions and troubleshooting help at 1-614-777-5004 or visit www.zlinekitchen.com/contact to utilize our online Customer Experience Portal..



Scan the QR code to view the most up-to-date version of our Installation Manual and User Manual.



Need to purchase a part or accessory for your ZLINE product?
Visit www.zlineparts.com, ZLINE's official parts distribution partner.

This page left intentionally blank.

This page left intentionally blank.

3.4.2

1-614-777-5004

www.zlinekitchen.com

contact@zlinekitchen.com

ZLINE
ATTAINABLE LUXURY®