

ZLINE



KITCHEN FAUCETS

Installation Guide
and Users Manual



This product can expose you to chemicals including nickel, which is known to the State of California to cause cancer, and birth defects or other reproductive harm. For more information go to www.P65Warnings.ca.gov.

Even though the materials used in all ZLINE Kitchen and Bath products conform to all federal government regulations and all national product standards, California's Prop 65 requires all businesses to provide a "clear and reasonable warning" if one or more listed chemicals may be present in the product, even if that chemical is present in trace quantities



ZLINE created a wide range of faucet solutions delivering comfortable elegance and undeniable quality down to the smallest detail. Brass housing allows ZLINE faucets to be durable and provides sophistication. It's what's on the inside that counts.

Behind the scenes, ZLINE's main focus is improving water efficiency. The faucets are manufactured with carefully hand selected materials that undergo over 50,000 unit tests, well over the industry standard for certification of 15,000 tests. 1.8 gal/min provides the perfect aerated water pressure — saving water, energy, and time at the best price point in the industry.

TABLE OF CONTENTS

● SAFETY INSTRUCTIONS	1
Prior to Installation	
Safety Tips	
Installation Preparation	
Care and Maintenance	
Notes	
● SPRING FAUCETS	3
Parts	
Tools	
Models:	
FSNZ (Apollo Series)	
FSTB (Sierra Series)	
12-0140 (Van Gogh Series)	
Assembly	
● PULL DOWN FAUCETS	9
Parts	
Tools	
Models:	
FPBC (Castor Series)	
11-0129 (Shakespeare Series)	
FPBL (Edison Series)	
FPTF (Gemini Series)	
11-0130 (Dante Series)	
11-0128 (Voltaire Series)	
FPTB (Arthur Series)	
13-0048 (Renoir Series)	
FPNZ (Monet Series)	
11-0131 (Dali Series)	
Assembly	

TABLE OF CONTENTS

- **FMTF (DA VINCI) PULL DOWN FAUCET** **19**
 - Parts
 - Tools
 - Model:
 - FMTF (Da Vinci Series)
 - Assembly

- **SINGLE HANDLE FAUCET** **24**
 - Parts
 - Tools
 - Models:
 - FFCS (Rembrandt Series)
 - Assembly

- **DOUBLE HANDLE FAUCET** **30**
 - Parts
 - Tools
 - Models:
 - FFCC (Mona Series)
 - Assembly

- **TROUBLESHOOTING** **36**

SAFETY INSTRUCTIONS

Prior to Installation

- Make sure that the cold and hot water lines are turned off.
- Wrap all threaded connections with plumber's tape. Always wrap in a clockwise direction.
- Cover your drain to avoid losing parts.
- Do not disassemble the main faucet body, as it has been installed and commissioned correctly and precisely before delivery to the factory.
- To keep the faucet from jamming, flush the water pipe before installation.

Operating conditions: Working pressure at 0.05-1.0 MPa (including cold and hot water pressure) with applicable water temperature: 39.2°F - 194°F.

Installation Preparation

1. Shut off the water and let the water in the current faucet drain.
2. Assemble needed tools. The tools needed for each installation are included at the beginning of each section.
3. Loosen the hardware that keeps the current faucet in place. Remove faucet.

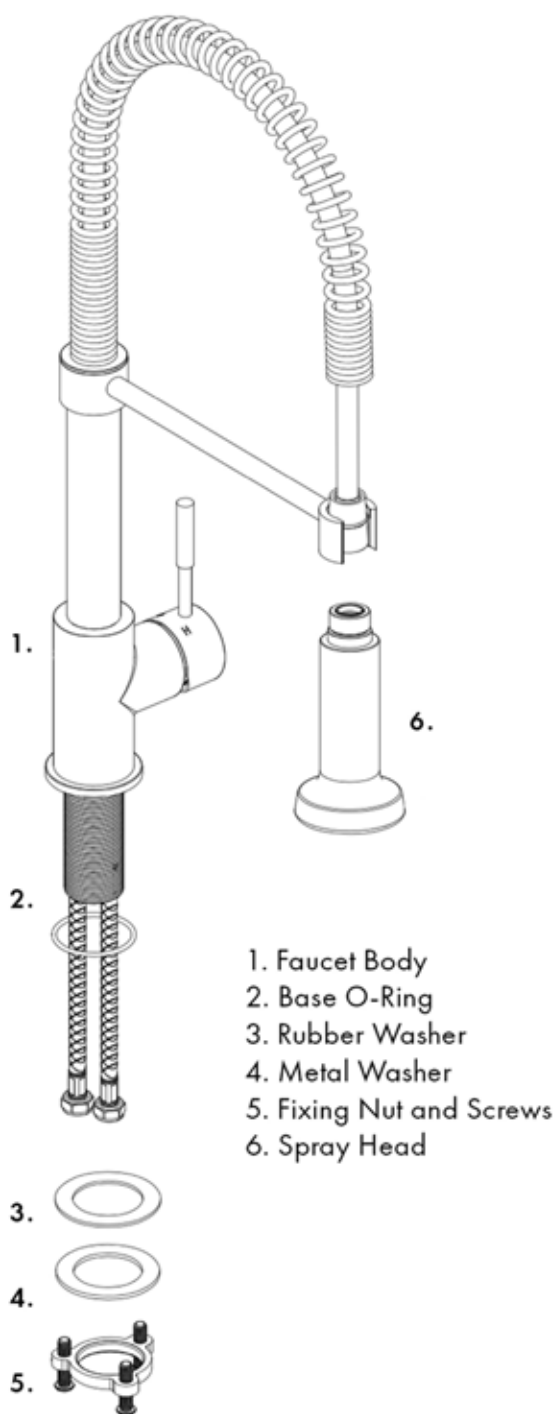
Care and Maintenance

To keep the product clean and shining, follow the steps below:

1. Rinse clean with water and dry with a soft cloth.
2. Do not clean with soaps, acid, polish, abrasives, or harsh cleaners.
3. Do not use cloth with a coarse surface.
4. Unscrew the aerator and clean when necessary.

- If soldering the water connections when installing the faucet, remove the O-rings, cartridges, and washers before applying any heat.
- Protect your eyes when cutting or soldering.
- Do not over tighten screws/nuts. Finger tighten, then use a wrench/Philips-head screwdriver to tighten the fixing screw/nut until snug.

SPRING FAUCET

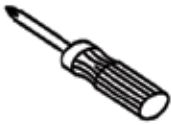


SPRING FAUCET

Tools:



Wrench



Phillips-head screwdriver



Bucket

Time required:



+/- 45 minutes

Legend:



Hot Water



Cold Water



Grease



Warning

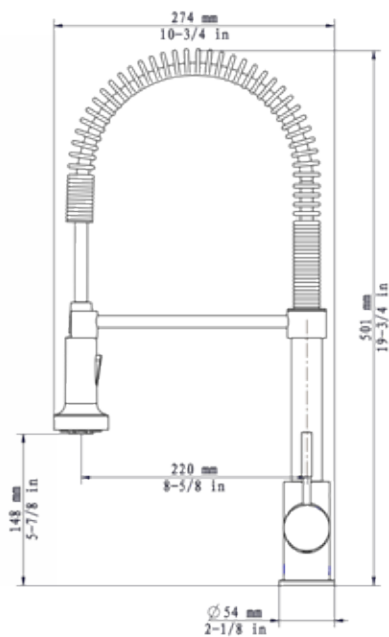


Plumber's Tape -
Used for a watertight seal on
threaded pipe joints.

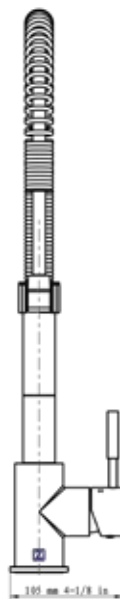
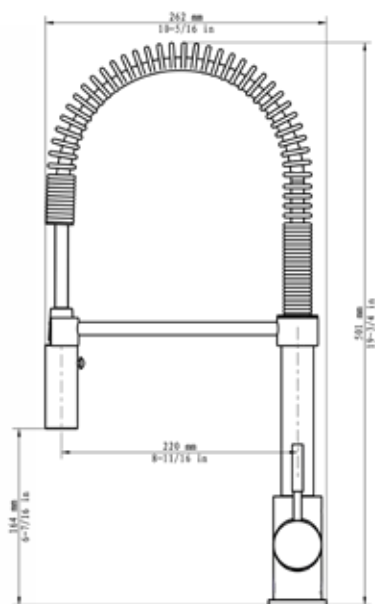
SPRING FAUCET

Spring Kitchen Faucet Models

FSNZ (Apollo Series)



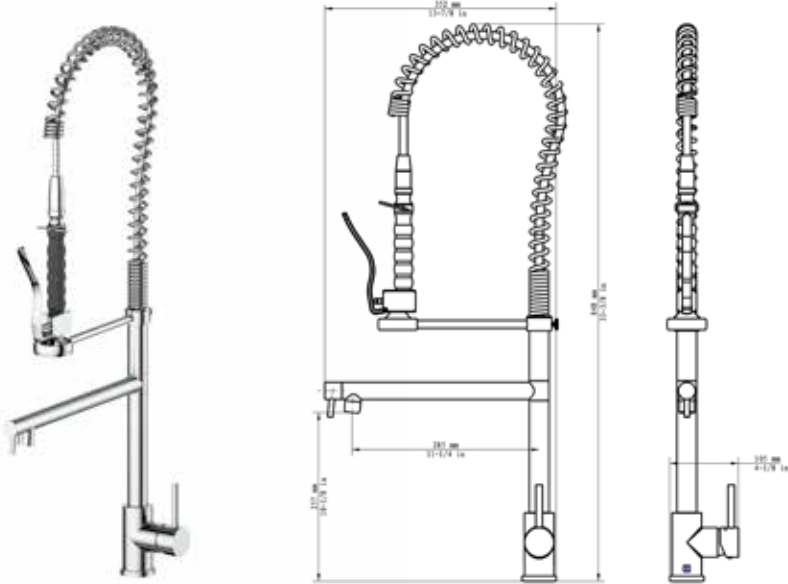
FSTB (Sierra Series)



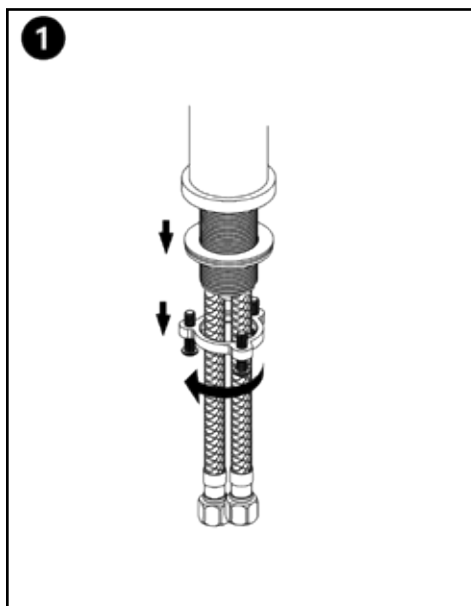
SPRING FAUCETS

Spring Kitchen Faucet Models

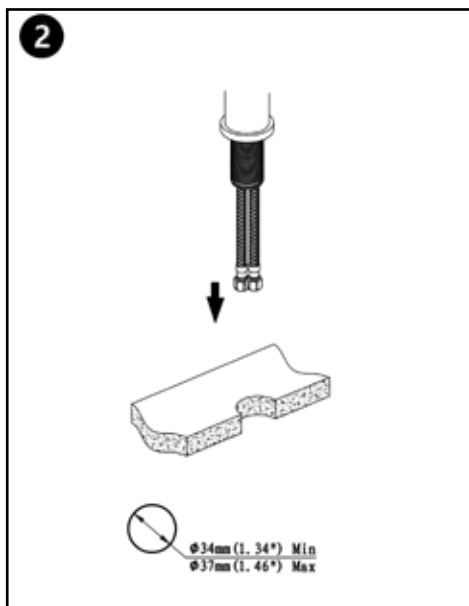
12-0140 (Van Gogh Series)



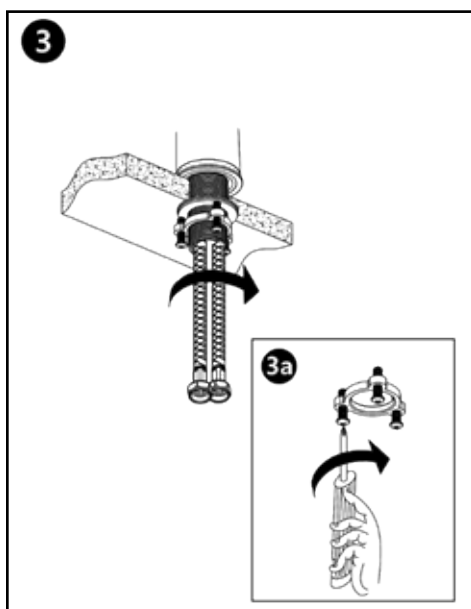
SPRING FAUCET



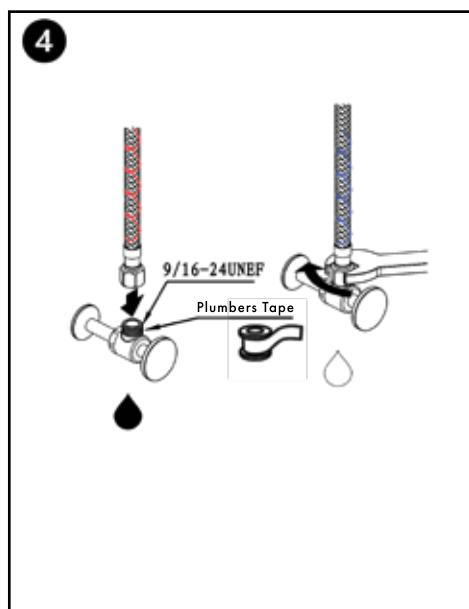
Loosen the fixing nut and screws and put aside.



Mount faucet to counter top.

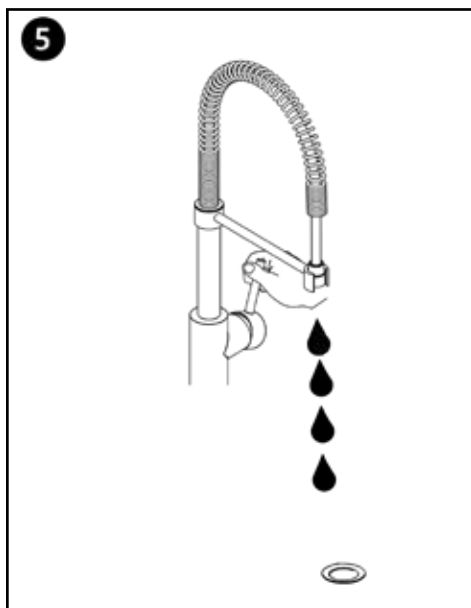


Secure the hardware into place with the Base O-ring, nuts, and screws.

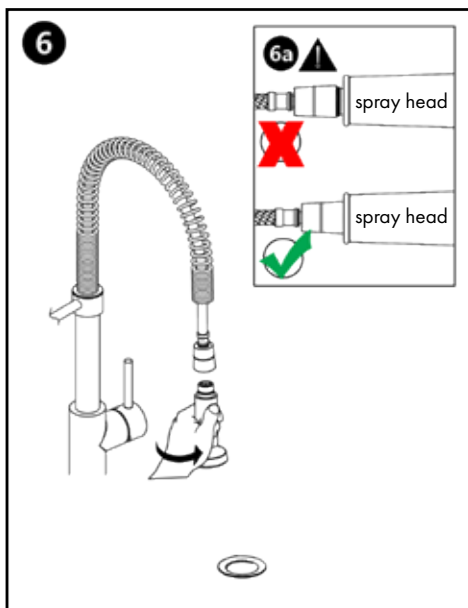


Secure the hoses to the hot (red) and cold (blue) lines appropriately.

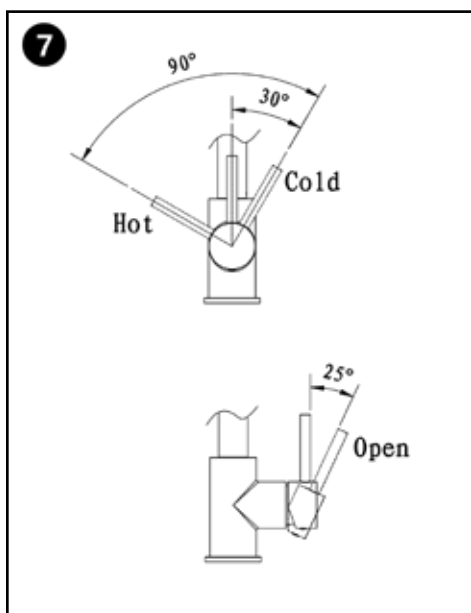
SPRING FAUCET



Test the faucet.

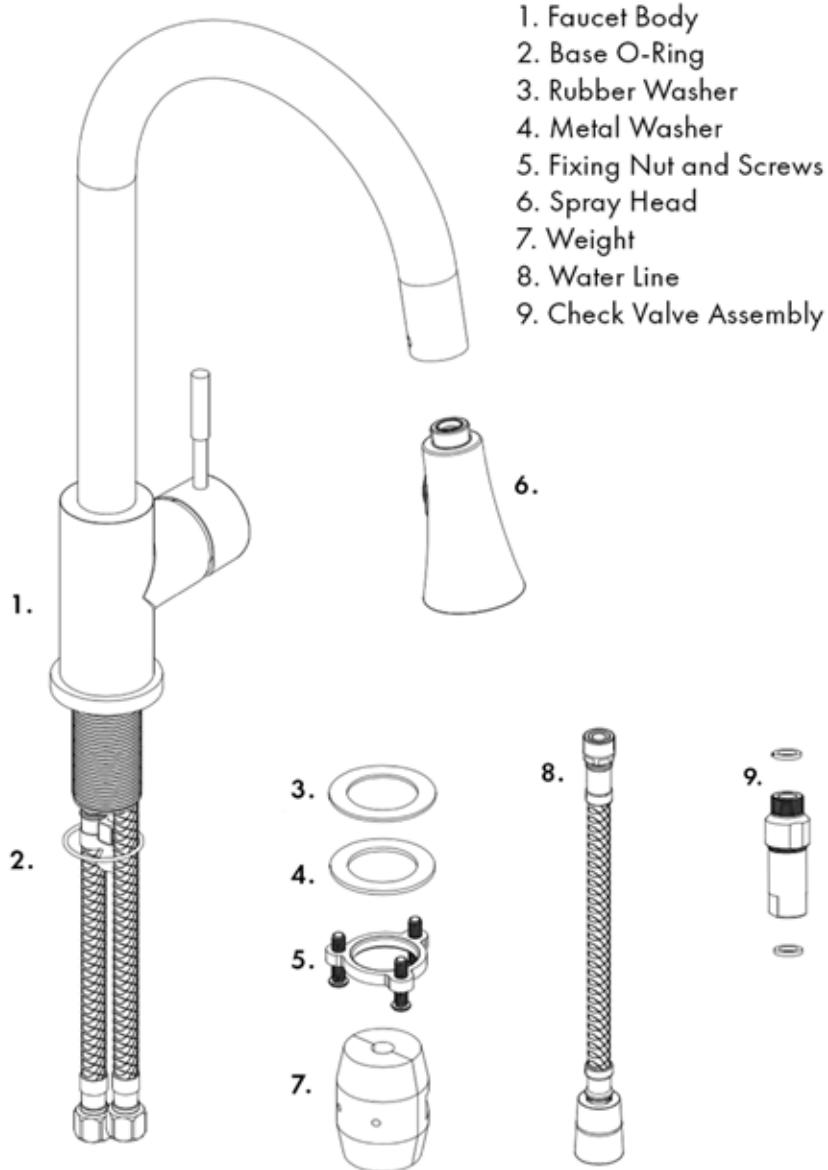


Make sure that the spray head is properly secured.



Review the diagram to understand the hot, cold, and open settings.

PULL DOWN FAUCETS

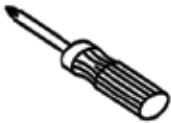


PULL DOWN FAUCETS

Tools:



Wrench



Phillips-head screwdriver



Bucket

Time required:



+/- 45 minutes

Legend:



Hot Water



Cold Water



Grease



Warning

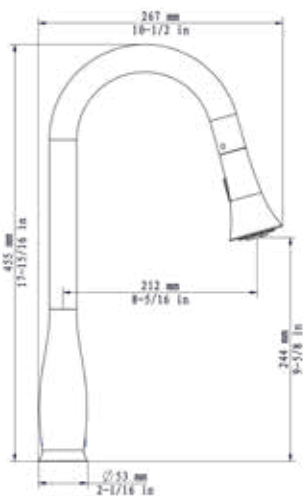


Plumber's Tape -
Used for a watertight seal
on threaded pipe joints.

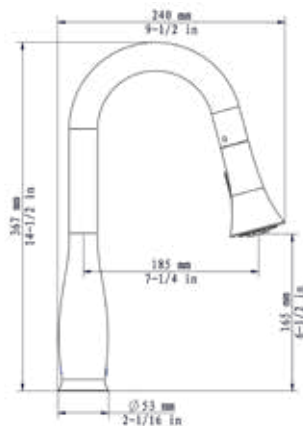
PULL DOWN FAUCETS

Pull Down Kitchen Faucet Models

FPBC (Castor Series)



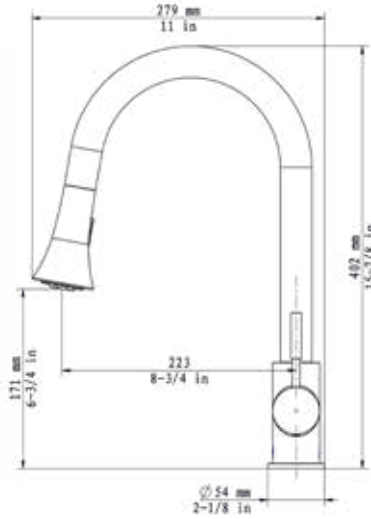
11-0129 (Shakespeare Series)



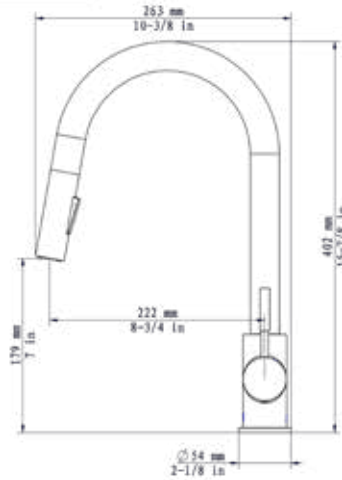
PULL DOWN FAUCETS

Pull Down Kitchen Faucet Models

FPBL (Edison Series)



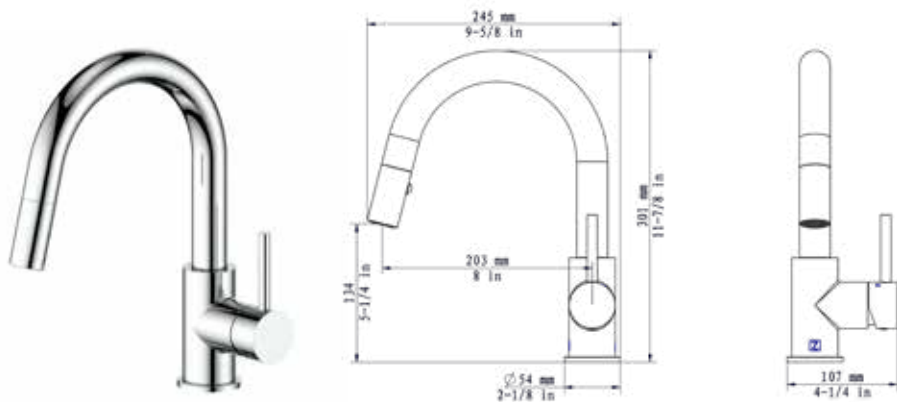
FPTF (Gemini Series)



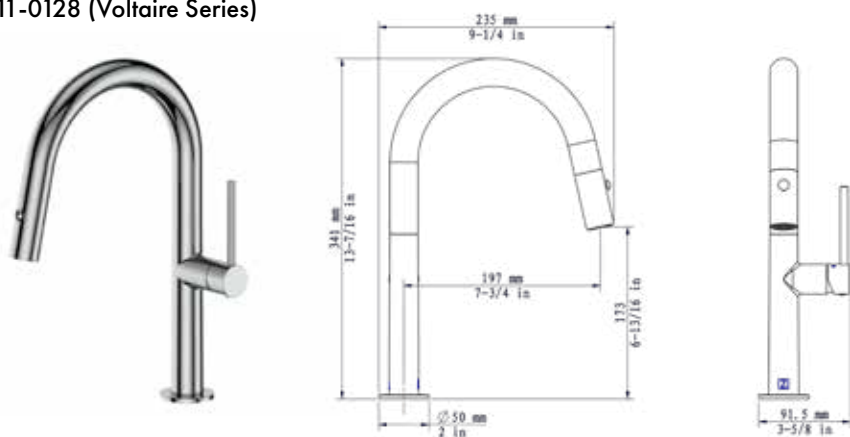
PULL DOWN FAUCETS

Pull Down Kitchen Faucet Models

11-0130 (Dante Series)



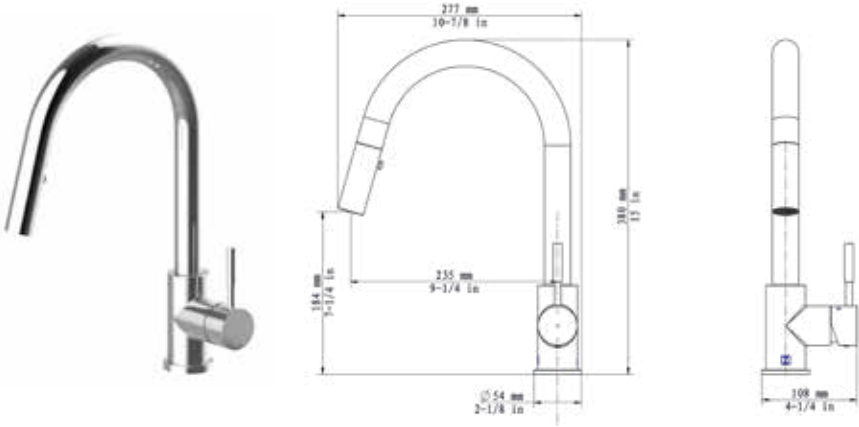
11-0128 (Voltaire Series)



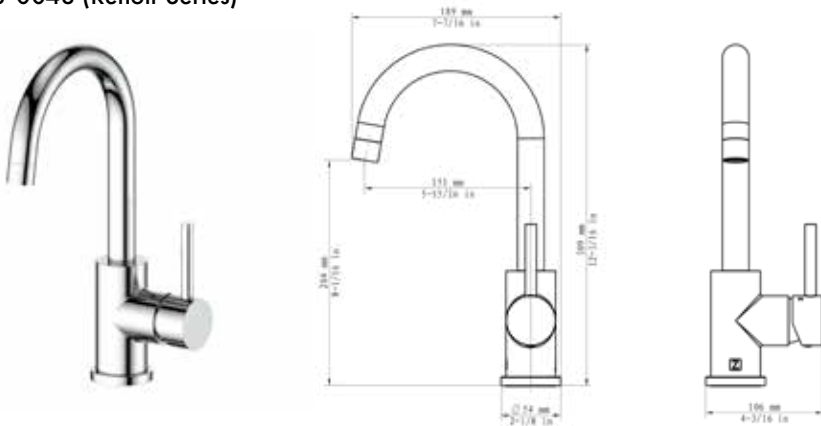
PULL DOWN FAUCETS

Pull Down Kitchen Faucet Models

FPTB (Arthur Series)



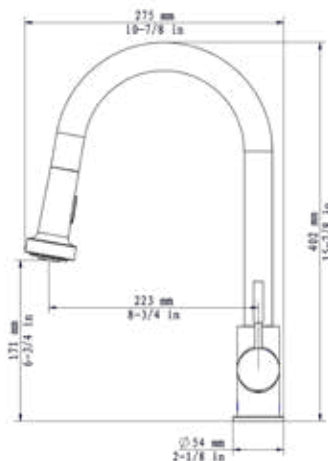
13-0048 (Renoir Series)



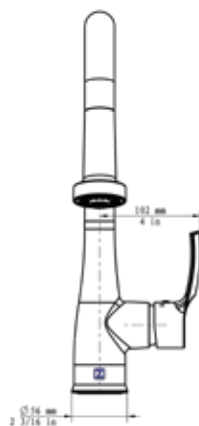
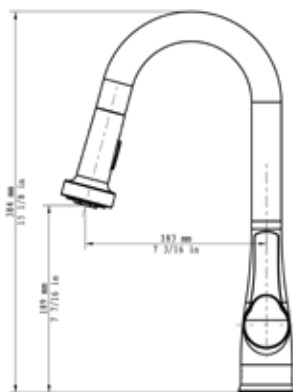
PULL DOWN FAUCETS

Pull Down Kitchen Faucet Models

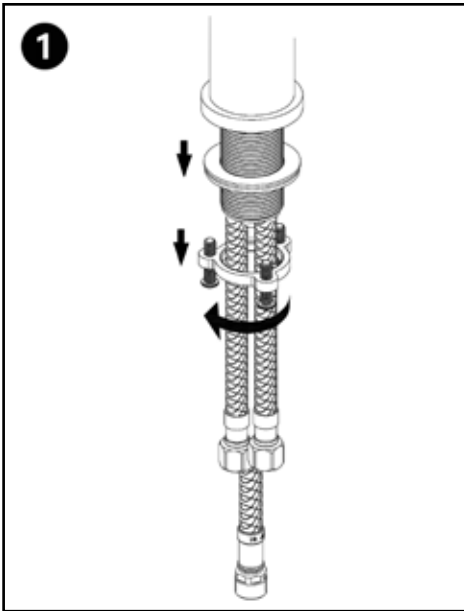
FPNZ (Monet Series)



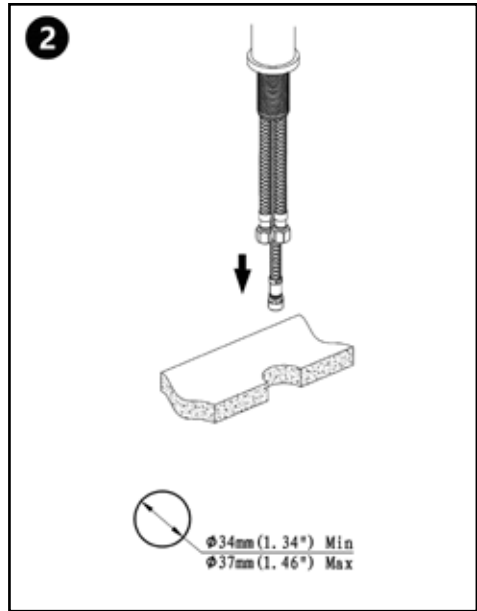
11-0131 (Dali Series)



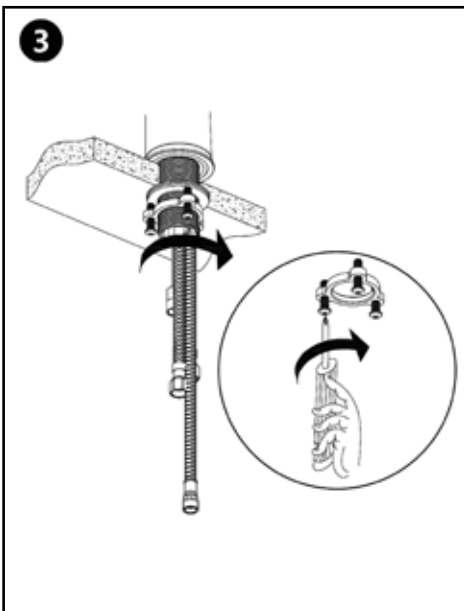
PULL DOWN FAUCETS



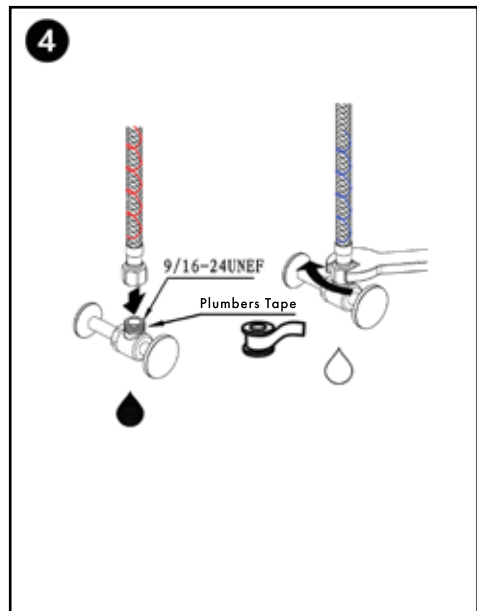
Loosen the fixing nut and screws and put aside.



Mount faucet to counter top.

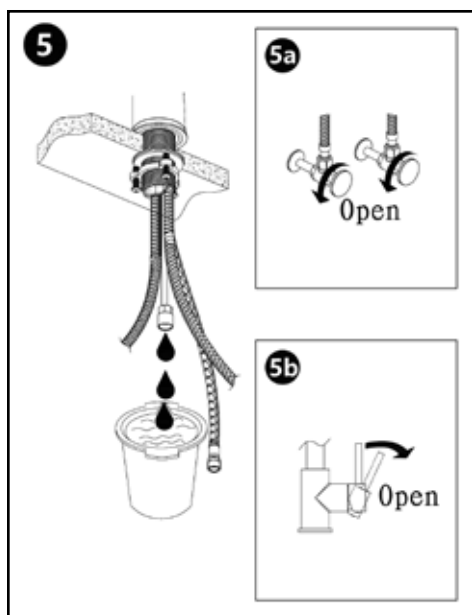


Secure the hardware into place with the Base O-ring, nuts, and screws.

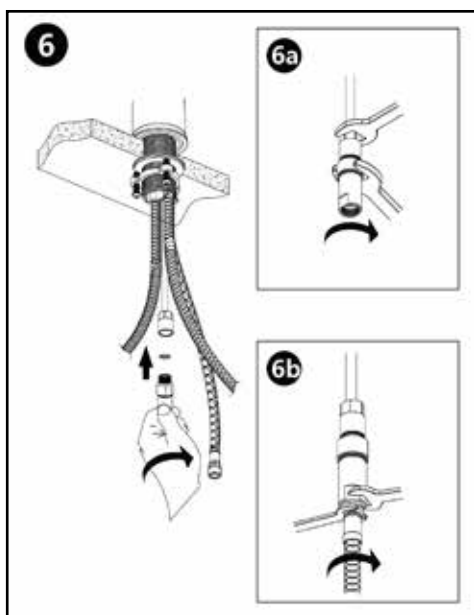


Secure the hoses to the hot and cold lines appropriately.

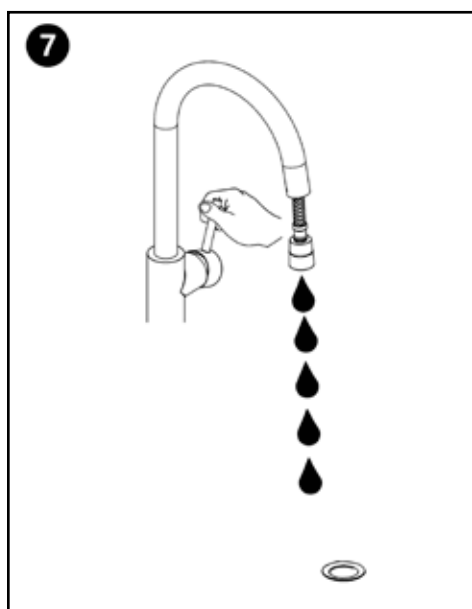
PULL DOWN FAUCETS



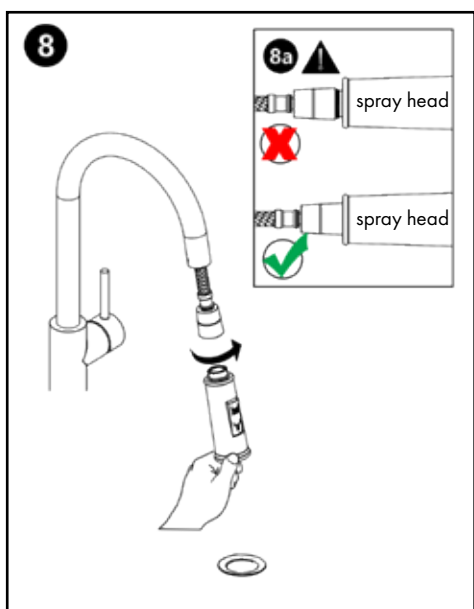
Drain the valve.



Secure the hardware into place.

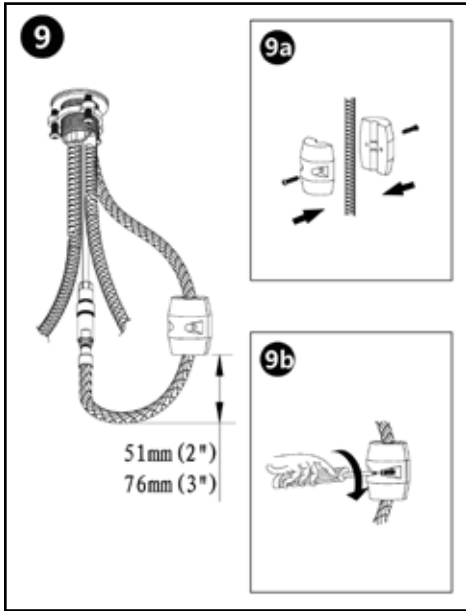


Test the faucet.

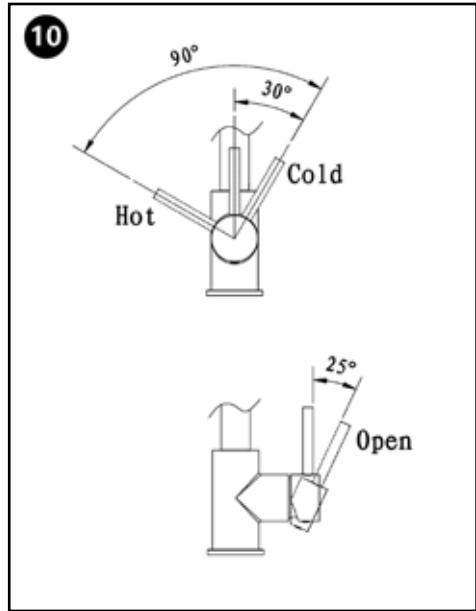


Make sure that the spray head is properly secured.

PULL DOWN FAUCETS

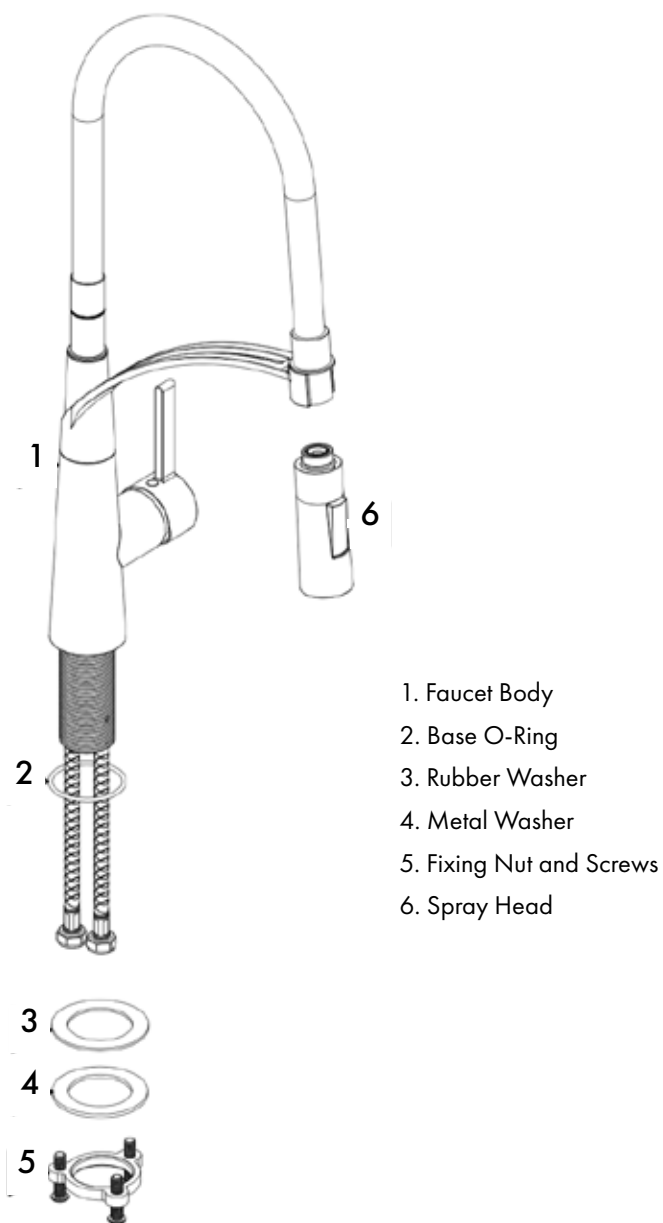


Apply the weight to the center of the hose for even distribution.



Review the diagram to understand the hot, cold, and open settings.

PULL DOWN FAUCET (FMTF)

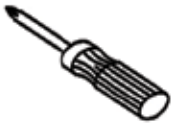


PULL DOWN FAUCET (FMTF)

Tools:



Wrench



Phillips-head screwdriver



Bucket

Time required:



+/- 45 minutes

Legend:



Hot Water



Cold Water



Grease



Warning

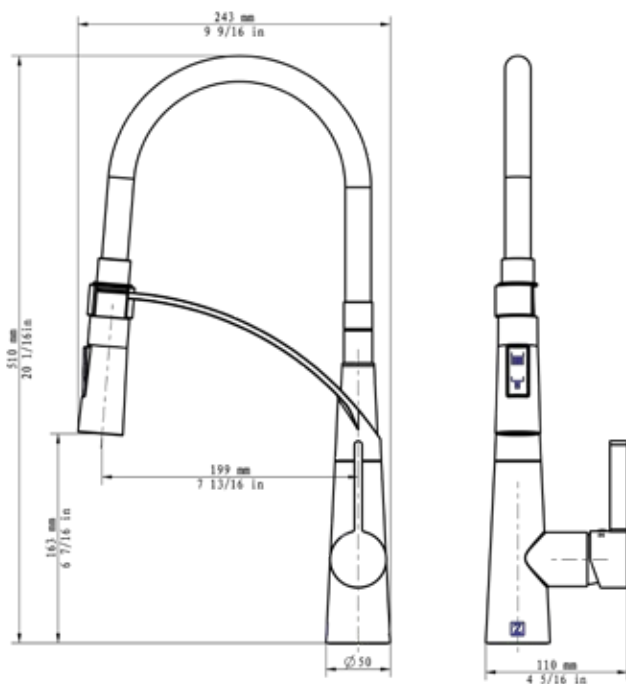


Plumber's Tape -
Used for a watertight
seal on threaded pipe
joints.

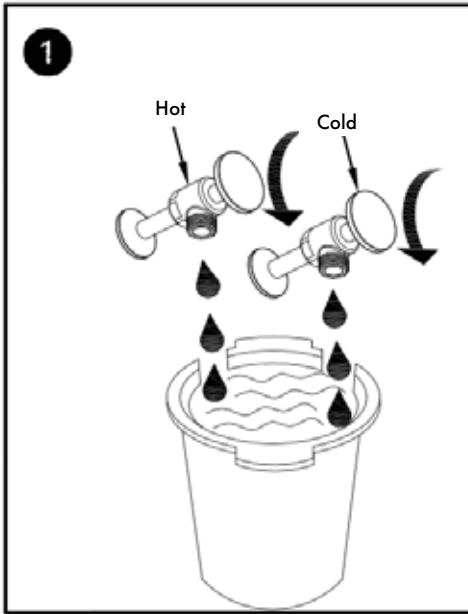
PULL DOWN FAUCET (FMTF)

Pull Down Kitchen Faucet Model

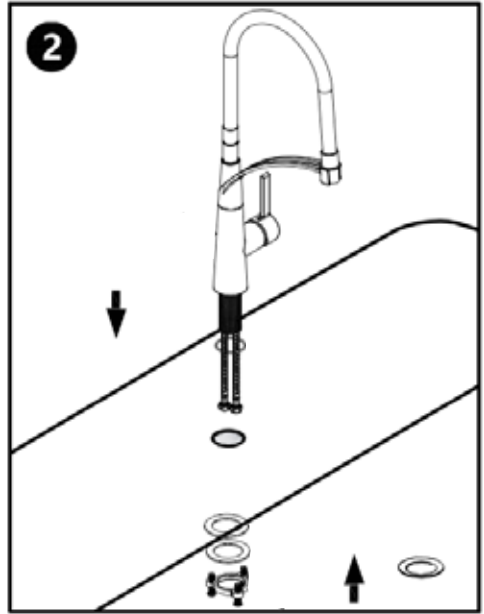
FMTF (Da Vinci Series)



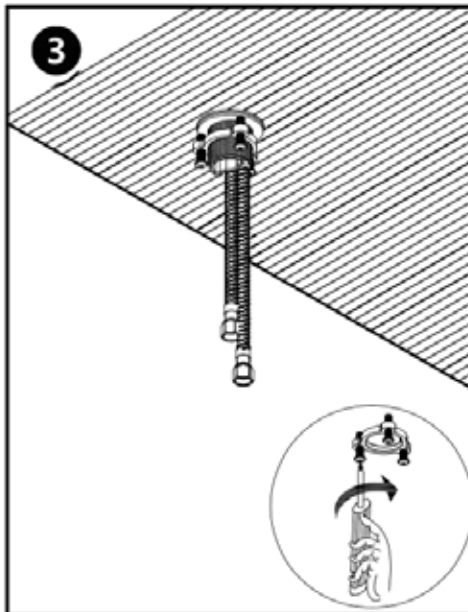
PULL DOWN FAUCET (FMTF)



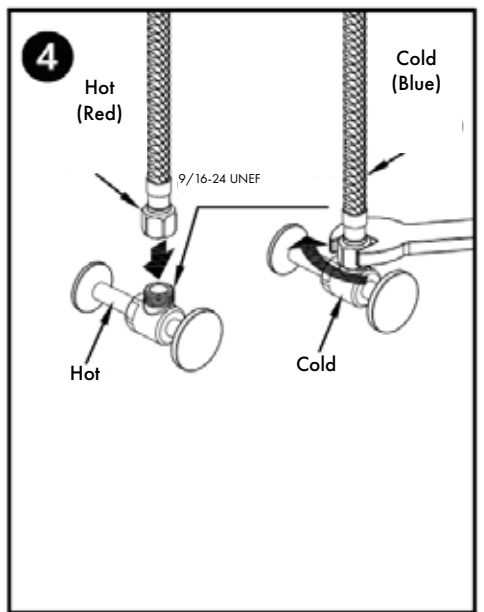
Turn off the water valves and place a bucket beneath, in case of dripping.



Mount the faucet to the counter top.

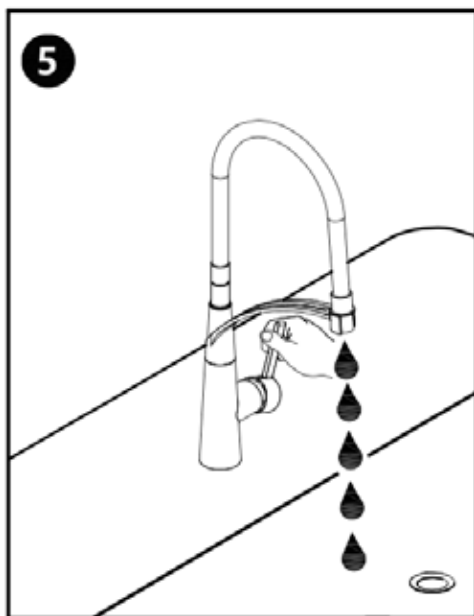


Secure the hardware into place with the Base O-ring, nuts, and screws.

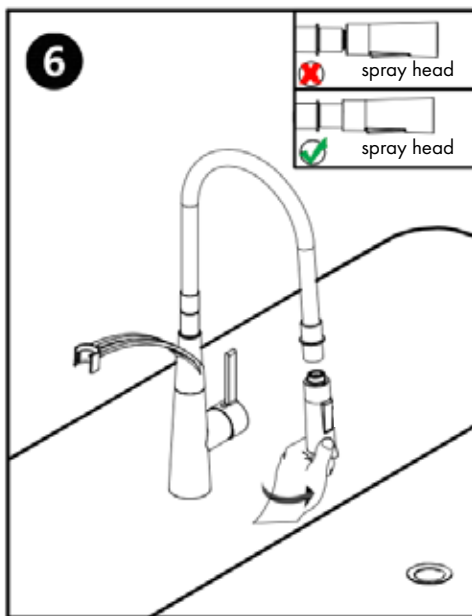


Attach the hot and cold lines to the valves appropriately.

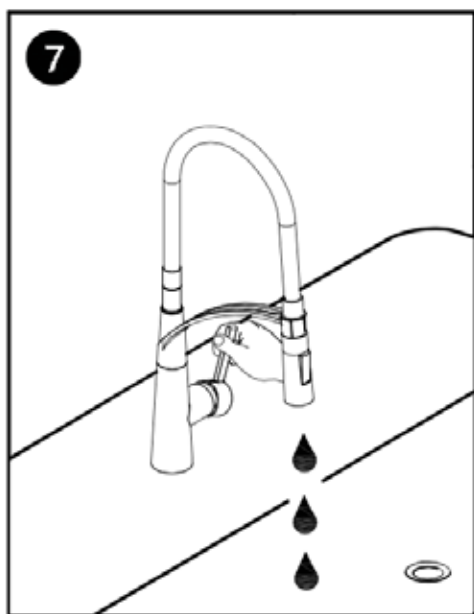
PULL DOWN FAUCET (FMTF)



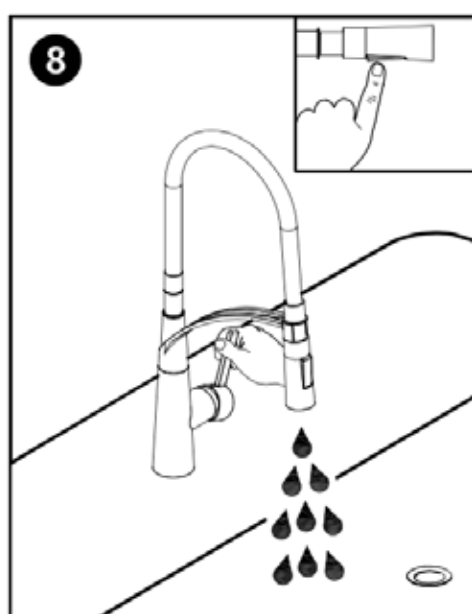
Test the faucet before installing the spray head.



Make sure that the spray head is properly secured.

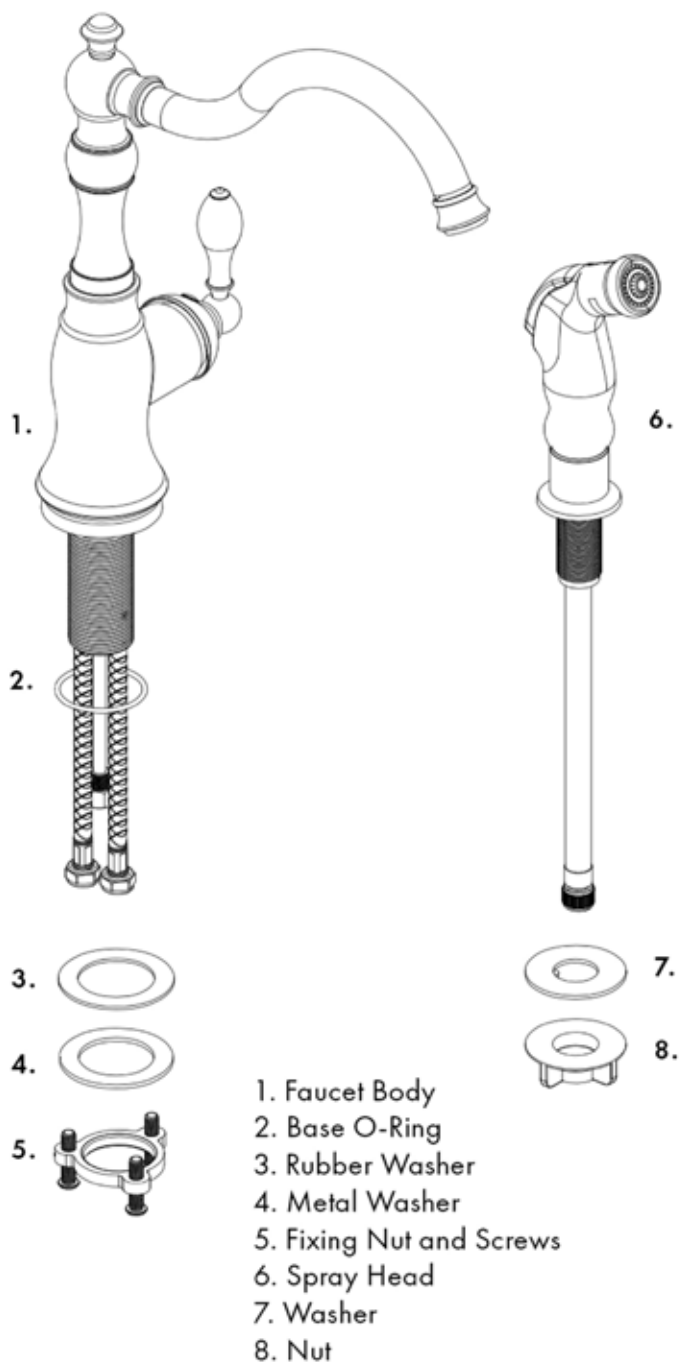


Test the faucet.



Press the button to switch from stream to spray.

SINGLE HANDLE FAUCETS

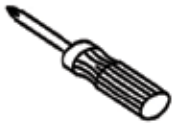


SINGLE HANDLE FAUCETS

Tools:



Wrench



Phillips-head screwdriver



Bucket

Time required:



+/- 45 minutes

Legend:



Hot Water



Cold Water



Grease



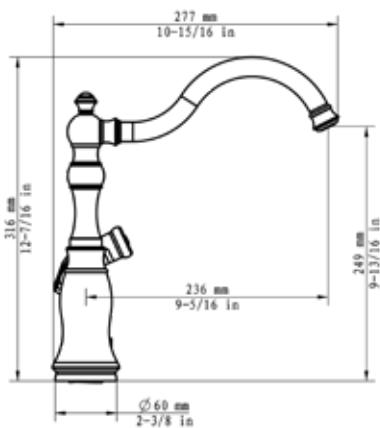
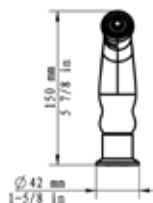
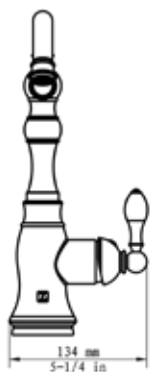
Warning



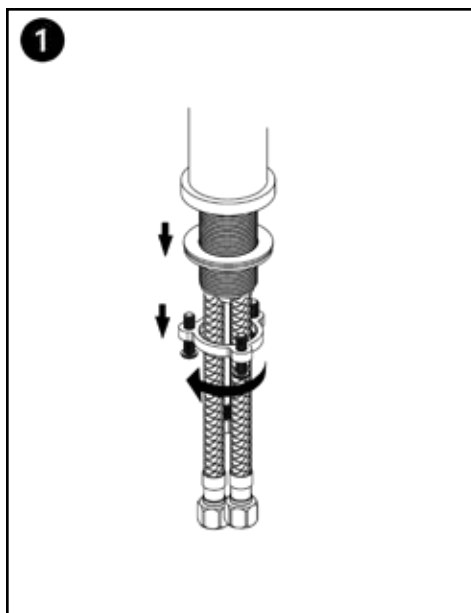
Plumber's Tape-
Used for a watertight
seal on threaded pipe
joints.

SINGLE HANDLE FAUCETS

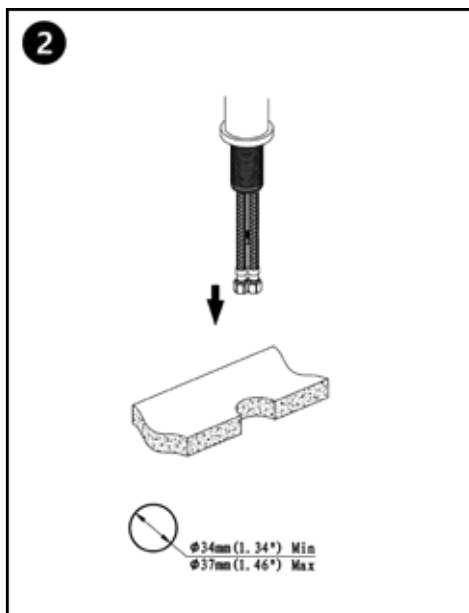
Kitchen Faucet with Sprayer Models: FFCS (Rembrandt Series)



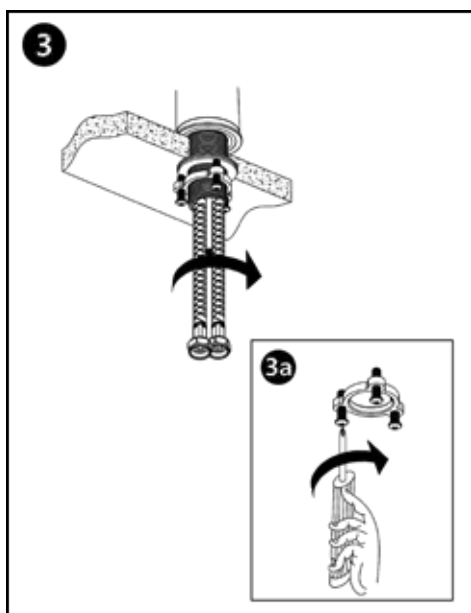
SINGLE HANDLE FAUCETS



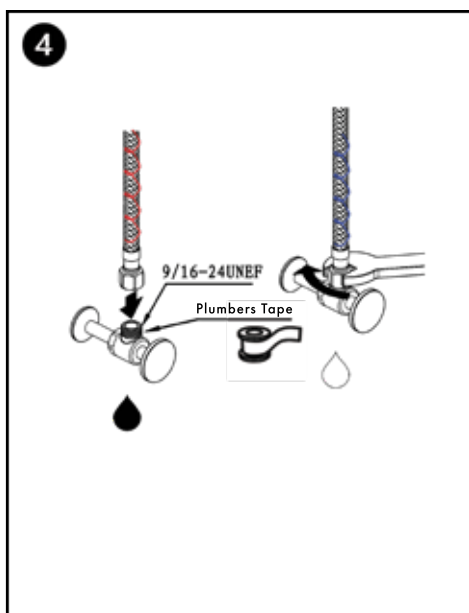
Loosen the fixing nut and screws and put aside.



Mount faucet to counter top.

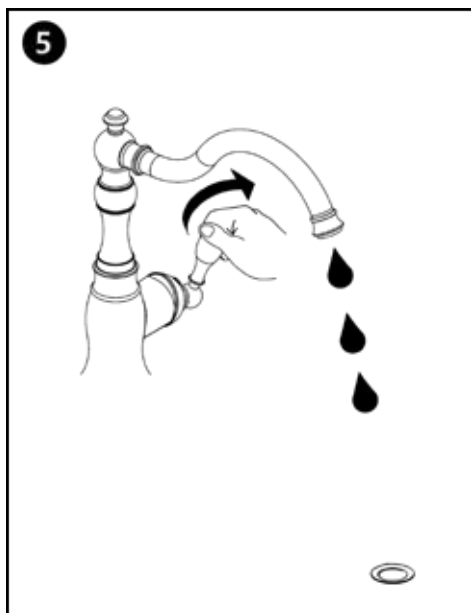


Secure the hardware into place with the Base O-ring, nuts, and screws.

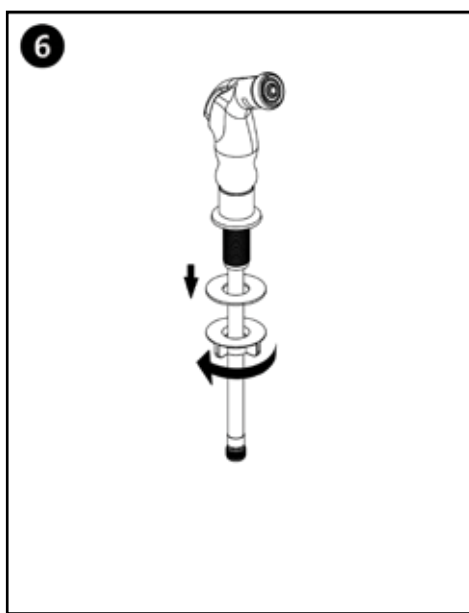


Secure the hoses to the hot and cold lines appropriately.

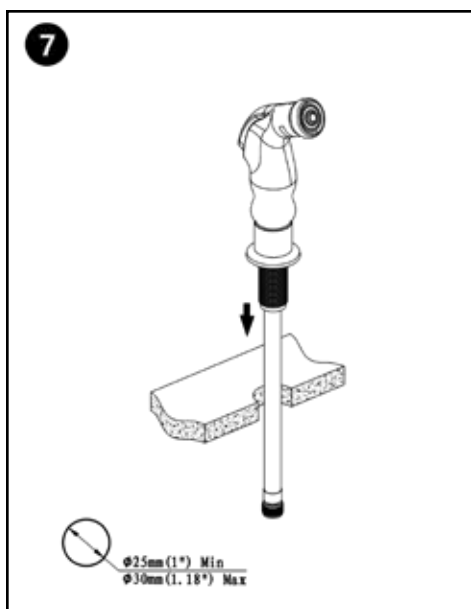
SINGLE HANDLE FAUCETS



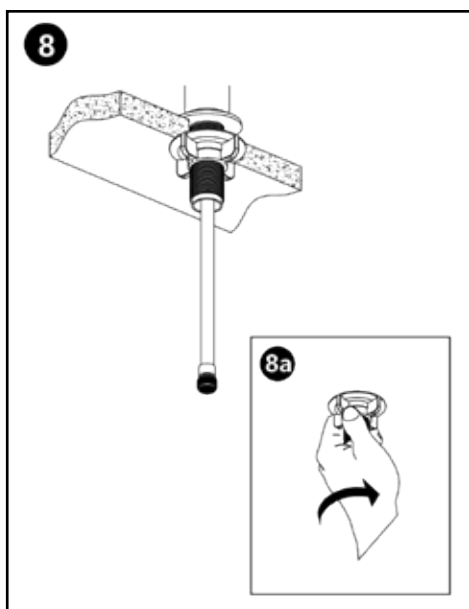
Test the faucet.



Loosen the washer on the spray head.

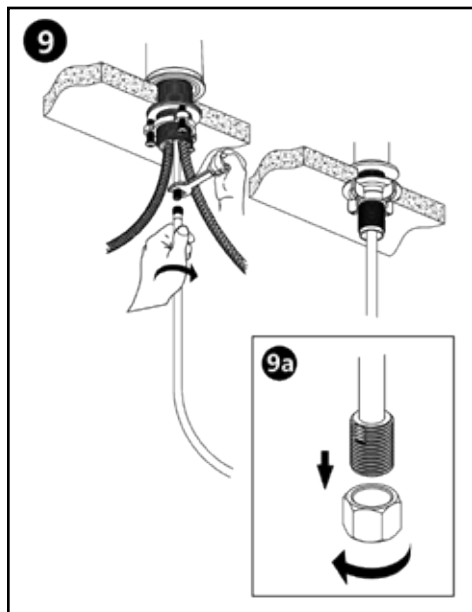


Mount spray head to counter top.

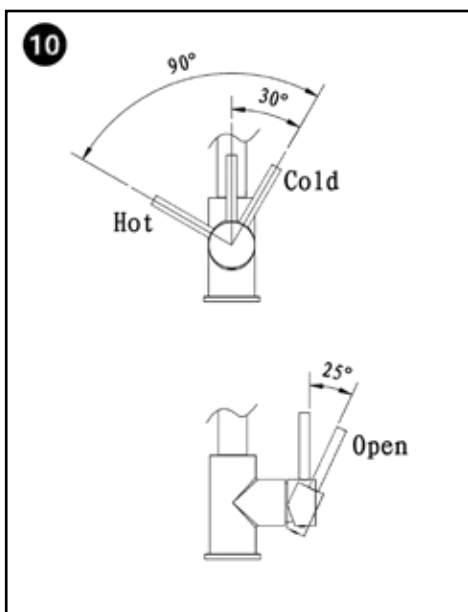


Secure the hardware into place with nuts and screws.

SINGLE HANDLE FAUCETS

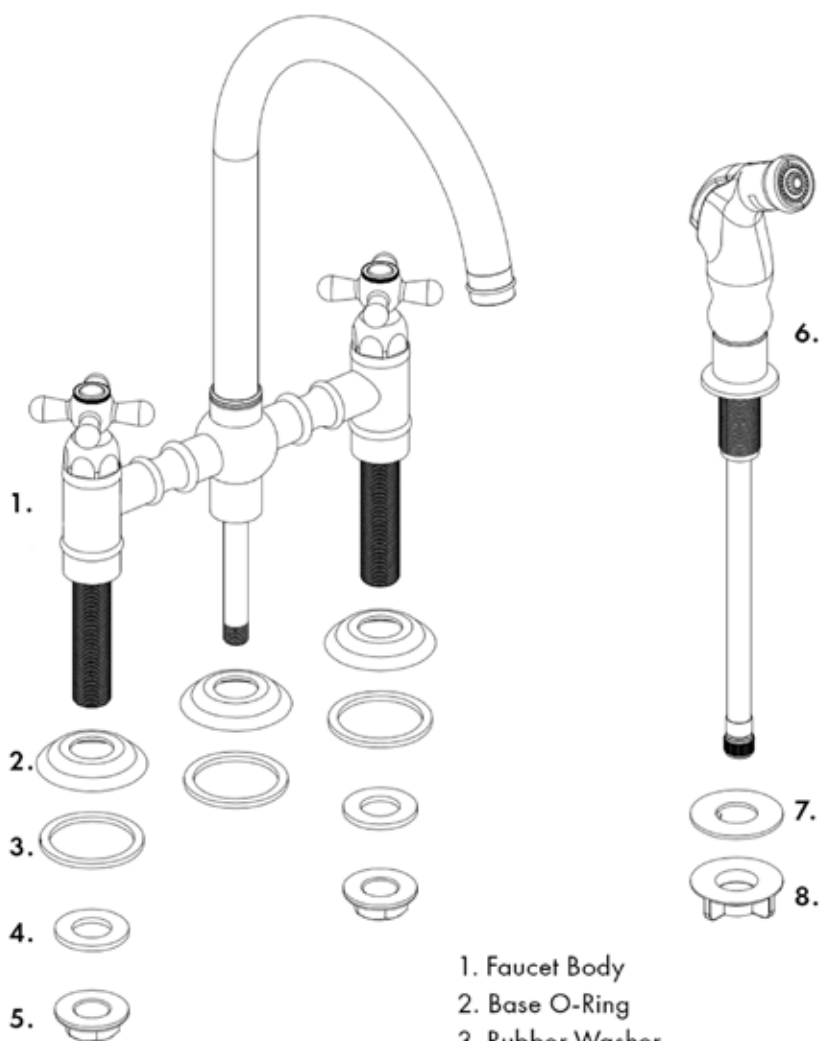


Tighten the hardware.



Review the diagram to understand the hot, cold, and open settings.

DOUBLE HANDLE FAUCETS



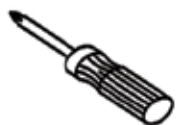
1. Faucet Body
2. Base O-Ring
3. Rubber Washer
4. Metal Washer
5. Nut
6. Spray Head
7. Washer
8. Nut

DOUBLE HANDLE FAUCETS

Tools:



Wrench



Phillips-head screwdriver



Bucket

Time required:



+/- 45 minutes

Legend:



Hot Water



Cold Water



Grease



Warning

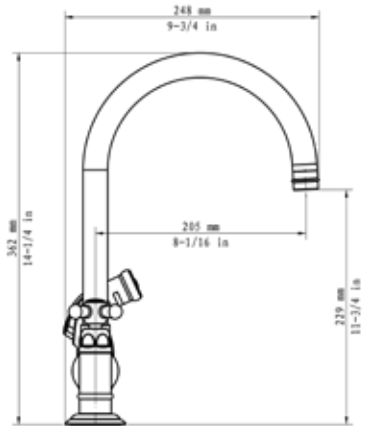
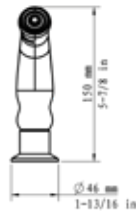
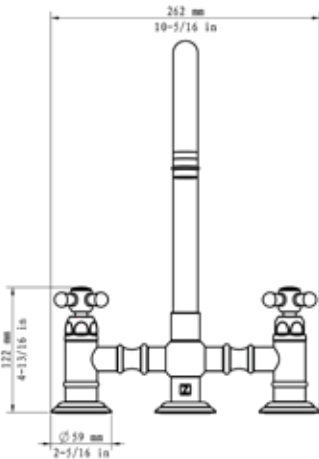


Plumber's Tape-
Used for a watertight
seal on threaded pipe
joints.

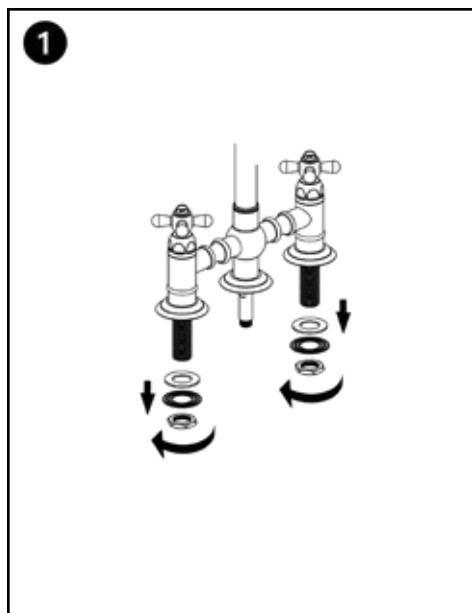
DOUBLE HANDLE FAUCETS

Kitchen Faucet with Sprayer Models:

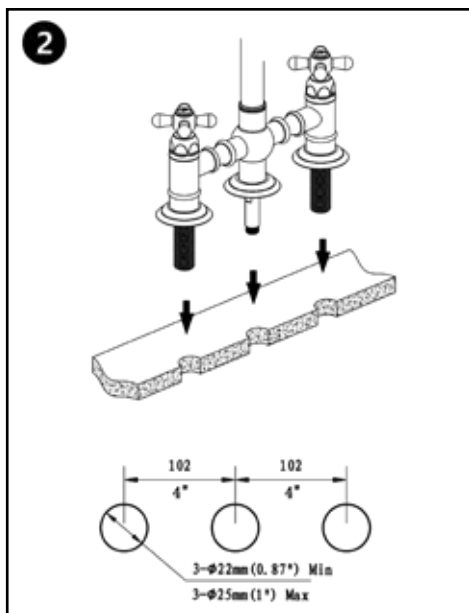
FFCC (Mona Series)



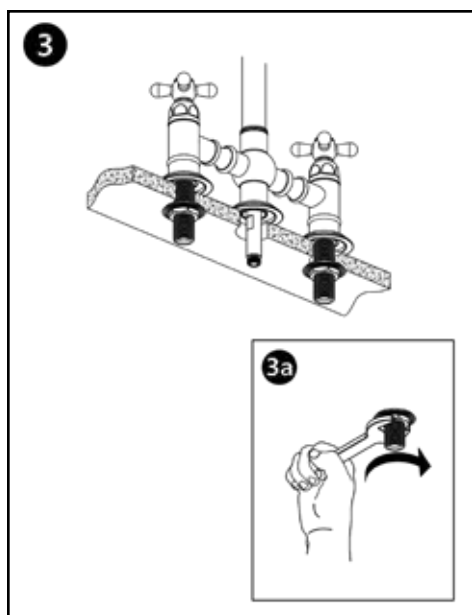
DOUBLE HANDLE FAUCETS



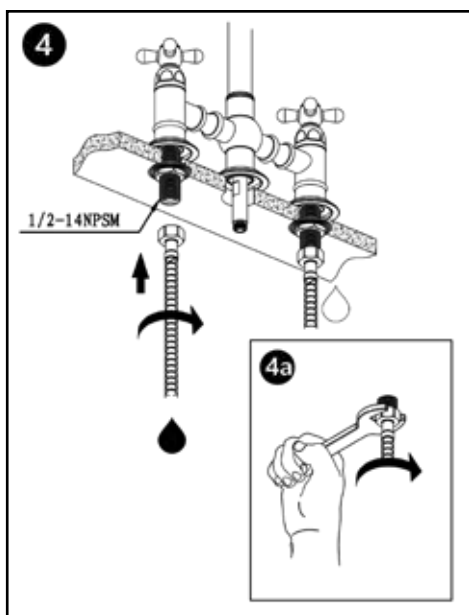
Loosen the fixing nut and washers and put aside.



Mount faucet to counter top.

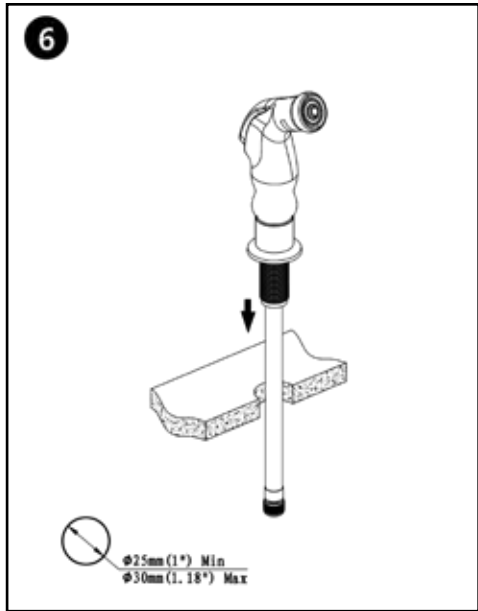
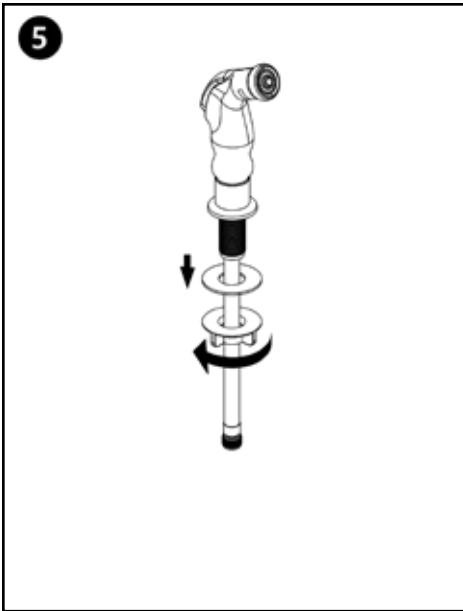


Secure the hardware into place with the Base O-ring, nuts, and screws.

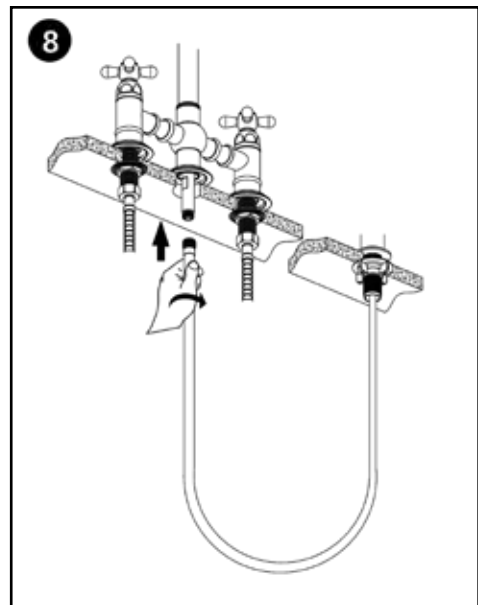
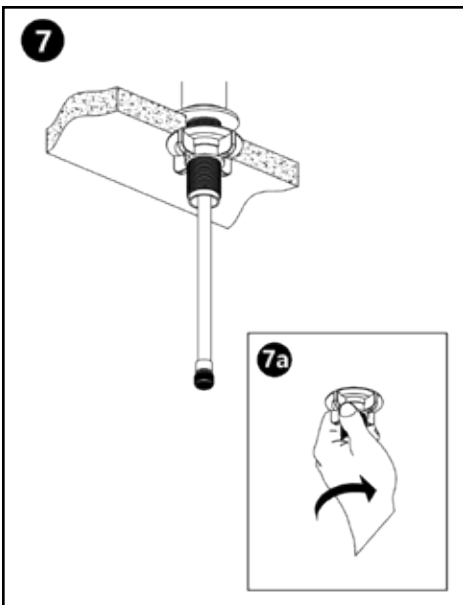


Secure the hoses to the hot and cold lines appropriately.

DOUBLE HANDLE FAUCETS



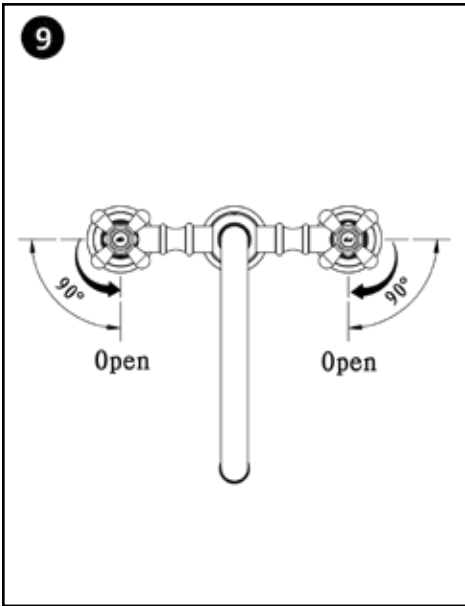
Loosen the washer on the spray head. Mount spray head to counter top.



Secure the hardware into place with nuts and screws.

Use the hose to connect the spray head and main faucet head.

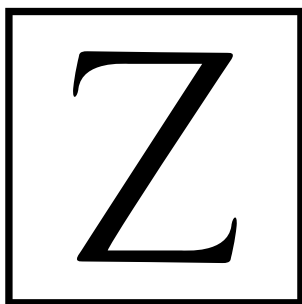
DOUBLE HANDLE FAUCETS



Review the diagram to understand the hot, cold, and open settings.

TROUBLESHOOTING

Problem	Possible Cause	Solution
There is leakage under the handle.	The locking nut has come loose.	<p>Unscrew the lever on the handle by hand. Loosen set screw with a hex wrench.</p> <p>Remove the handle and unscrew trim cap by hand.</p> <p>Tighten locking nut with an adjustable wrench.</p>
Water will not shut off completely.	Cartridge may be defective.	<p>Unscrew the level on the handle by hand. Loosen set screw with a hex wrench.</p> <p>Remove the handle and unscrew trim cap by hand.</p> <p>Unscrew the locking nut with an adjustable wrench. Remove ceramic disc cartridge. Check for cracks.</p>
There is a leak between the spray head and the hose.	The spray head may be loose or the washer is not seated correctly in the hose connection.	Tighten the spray head by hand until snug. Make sure the washer is seated correctly.



ZLINE

KITCHEN AND BATH

Three Locations:

350 Parr Circle
Reno, NV 89512

916 Delaware Avenue
Marysville, OH 43040

319 Rowland Mill Road
Bruceston, TN 38317

www.zlinekitchen.com

1-614-777-5004