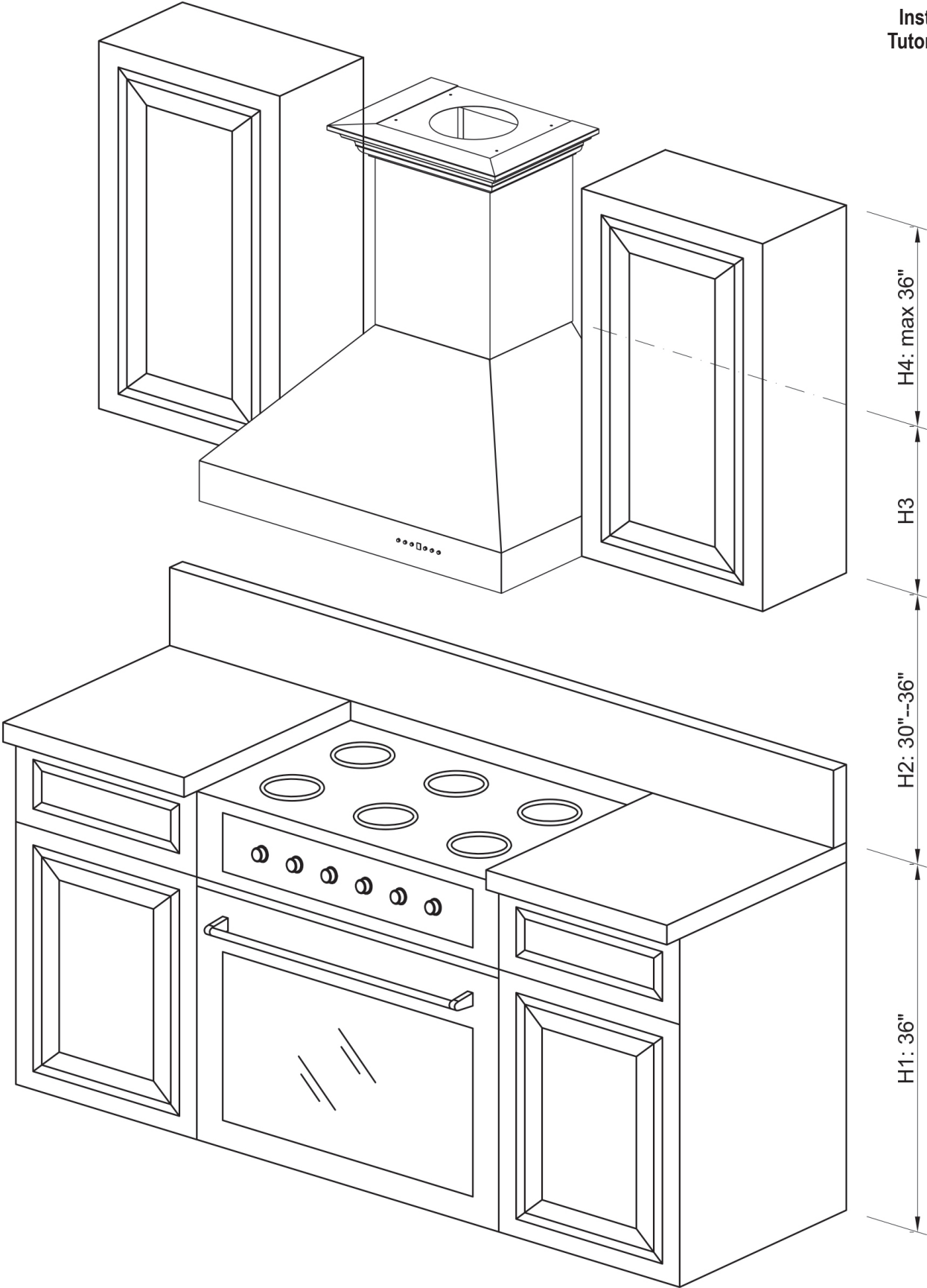


Designer Wall Range Hood Installation



Installation
Tutorial Video

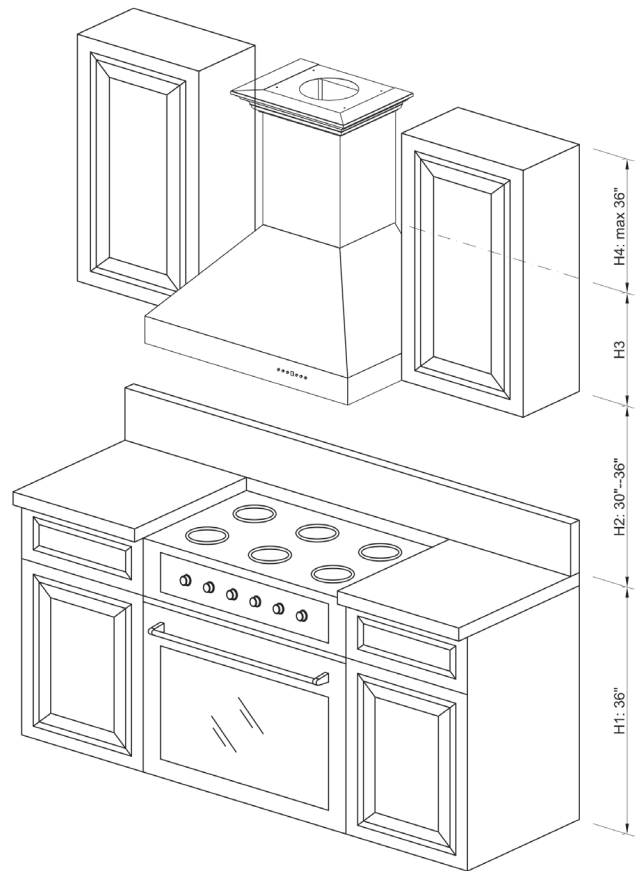


Designer Wall Range Hood Installation

★ Please unpack your range hood when it is delivered and inspect to ensure all parts are included.

Parts Supplied:

1. Main Hood With All Lights and Button Banks Pre-installed
2. Chimney
3. Transition Piece (For 6" or 8")
4. Baffle Filters
5. Flexible Duct (For 6" or 8")
6. Packet of Screws and Anchors
7. Top Mounting Bracket
8. Crown Molding Bracket
9. Crown Molding
10. Grease Cup



*Note: Wall range hoods with single motors will come with a square to 6" round transition piece and will include a backdraft damper. The ducting with these range hoods is 6".

Dual motor wall hoods will come with a square to 8" round transition piece without a backdraft damper. The ducting with these range hoods is 8".

*Note: Use rigid ducting wherever possible. Try and minimize the use of elbows. More elbows and longer runs create higher static pressure. The hood comes with a grounded three prong plug that can either be direct wired or plugged into a 20 amp. circuit.

*The recommended height to install your hood is 30" minimum and 36" maximum above the cooktop.

*For Outdoor (304 Series) hood installation: The unit must be installed at a minimum of 36" above the grill.

1 Find the center of the wall where you are installing the hood. Make sure there is sufficient bracing to hold the weight of the hood. Mark your center line and measure out from the center to find your two mounting points. Make sure your mounting points are level when you mark them. It is recommended to install the hood directly into wood supports. (Figure 1)

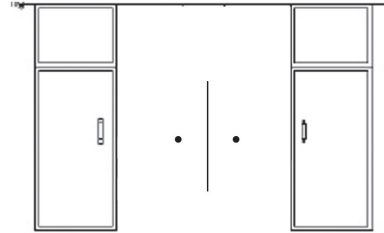


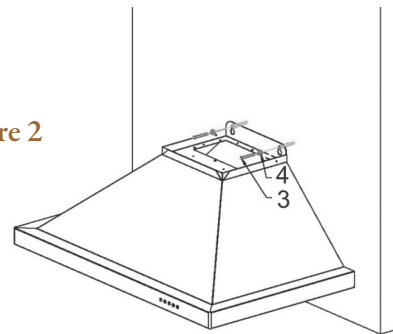
Figure 1

2 Mark your mounting points and install the two mounting screws provided leaving the heads out 1/4" to mount hood. (Figure 1)



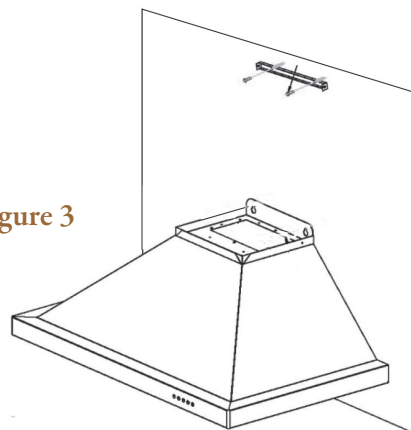
3 Mount the main body of the hood to the two screws and screw into place. (Figure 2)

Figure 2



4 Mount the crown molding bracket centering it above the hood. (Figure 3)

Figure 3



Designer Wall Range Hood Installation

- 5 Make your electrical and ducting connections. Try and minimize the use of elbows. More elbows and longer runs create higher static pressure. The hood comes with a grounded three prong plug that can either be direct wire or plugged into a 20amp. circuit. (Figure 4)

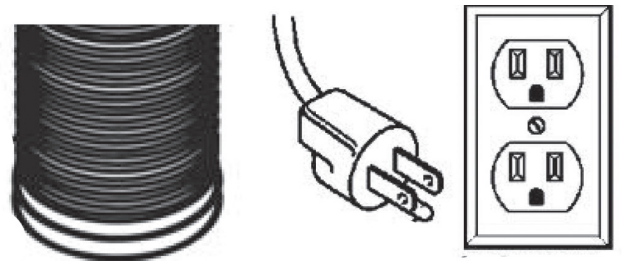


Figure 4

- 6 Install the transition piece securing it with screws provided. (Figure 5)

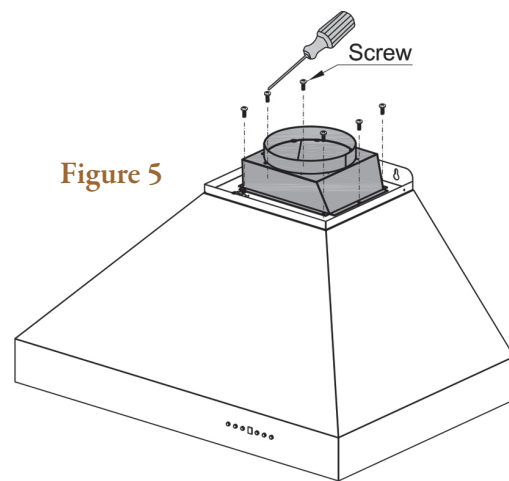


Figure 5

- 7 Connect the ducting to the transition piece using ring to hold into place. (Figure 6)

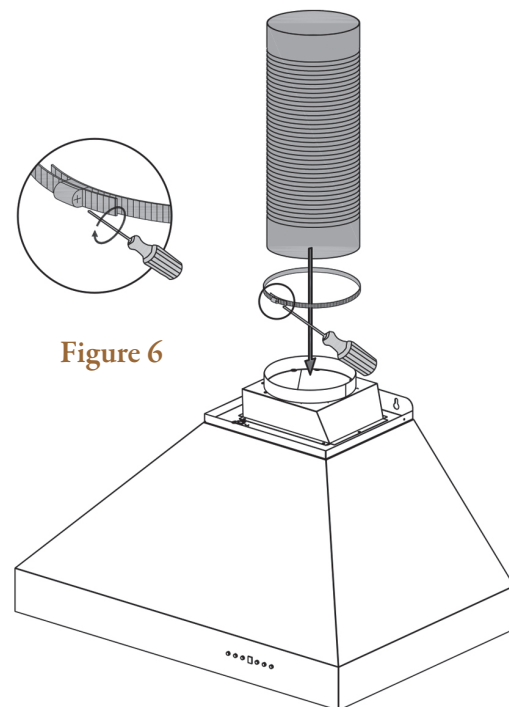


Figure 6

- 8 Cut chimney to height needed. (Figure 7)

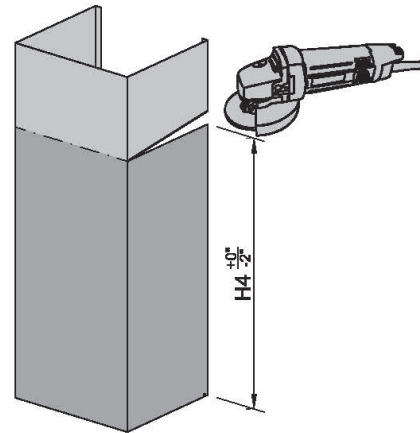


Figure 7

- 9 Install the chimney on top of the hood. Secure the lower portion with the provided screw at the bottom. (Figure 8)

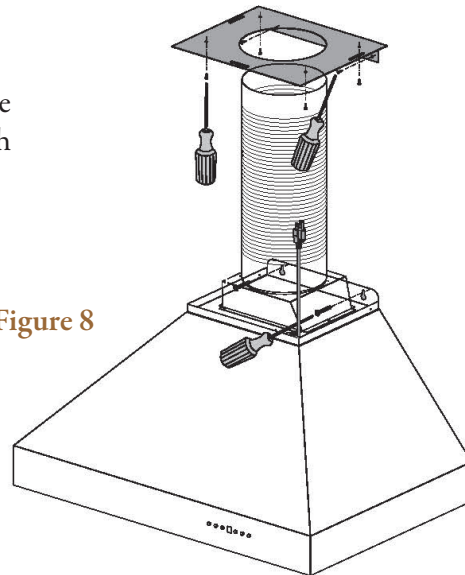


Figure 8

- 10 Slide crown molding over mounting bracket. (Figure 9)

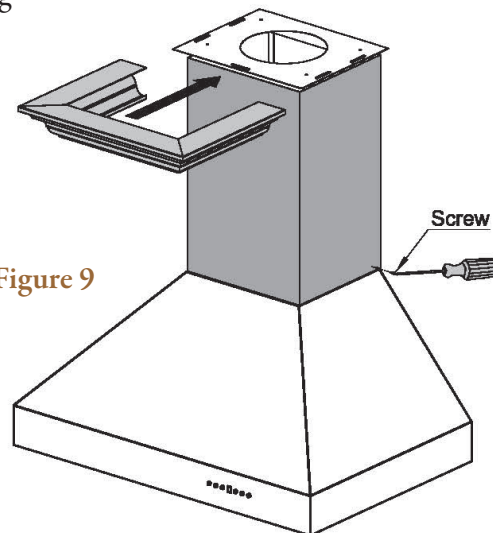


Figure 9

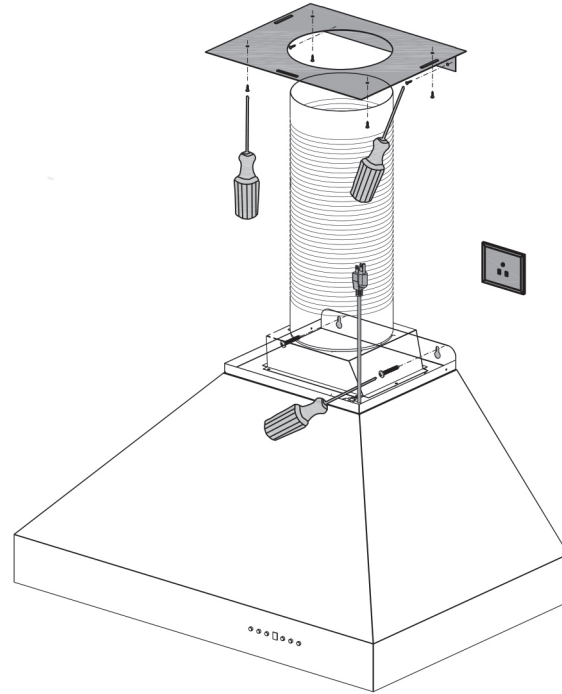
Installing Crown Moldings



Installation
Tutorial Video

★ *If using a crown molding follow instructions before attaching ducting and chimney sections.*

- 1 Attach crown molding bracket to ceiling using hardware provided.
- 2 Attach ducting and electrical connections.
- 3 Attach chimney sections to the range hood then connect to crown molding bracket.



- 4 Slide crown molding onto crown bracket and secure into place.

