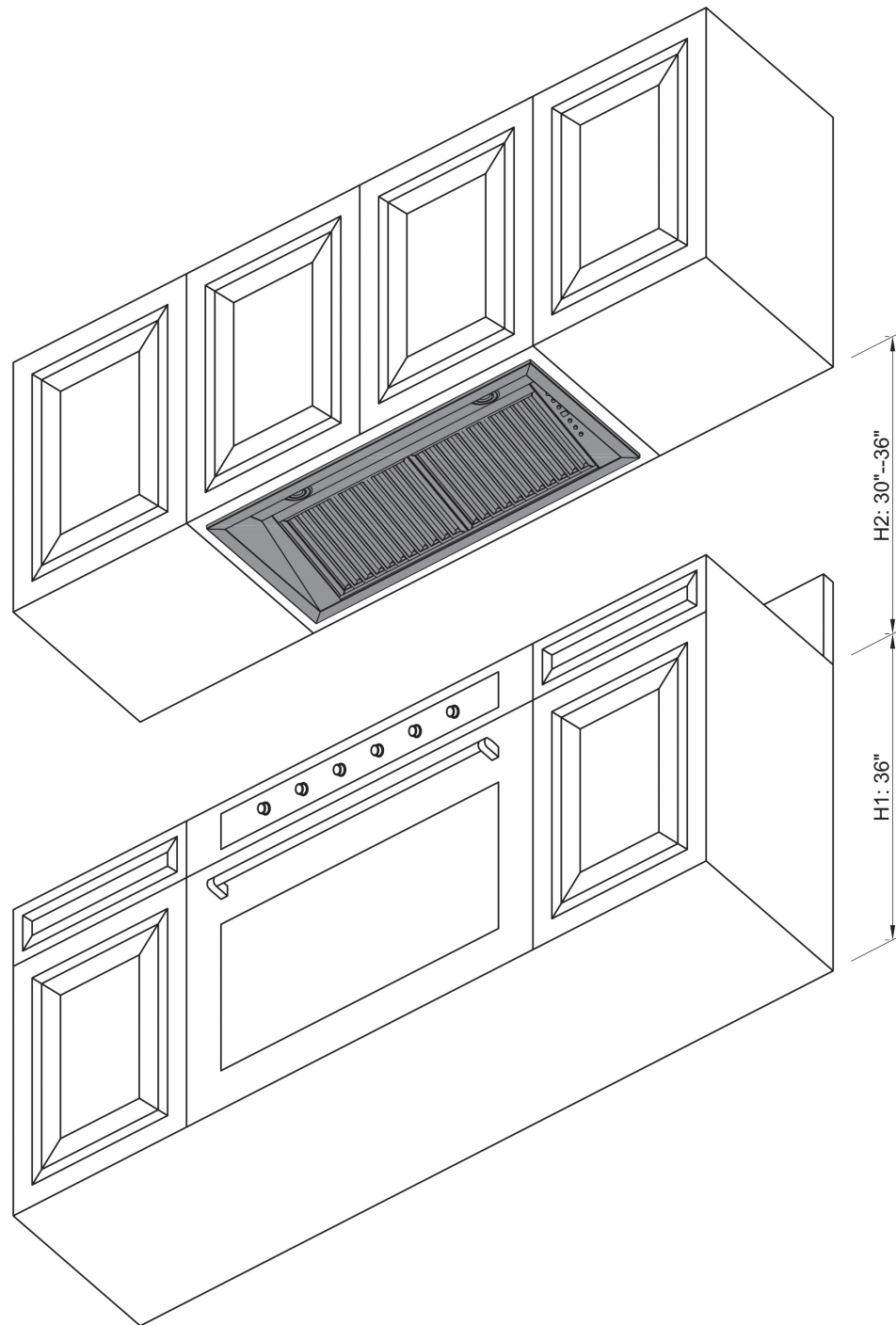


Range Hood Insert with Remote Blower Installation



Installation
Tutorial Video



*When installing a range hood insert, it is recommended to install the unit at a minimum of 30" from the cooktop.

*For outdoor range hood inserts it is recommended to install the unit at a minimum of 36" from the grill top.

Range Hood Insert Installation

1

Unpack the contents of the hood. Attach transition piece and ducting to the top of the range hood insert. **(Images 1 and 2)**

2

Using L brackets and screws provided, attach L brackets to each side of the insert.

3

Lift the range hood insert into cabinet or custom hood structure. **(Image 3)**

Image 1

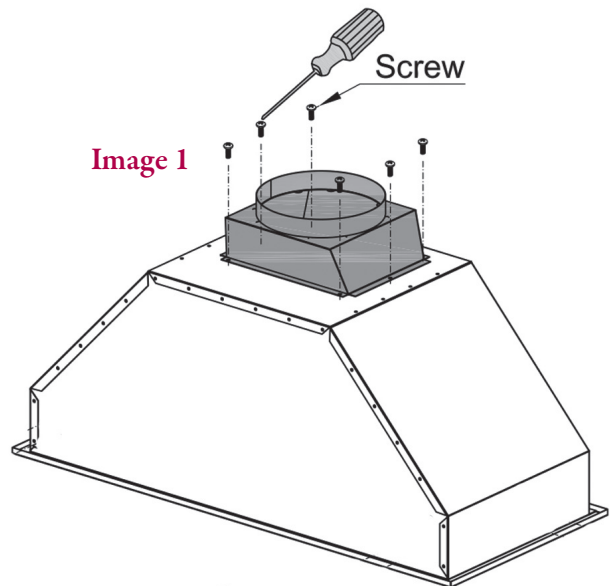
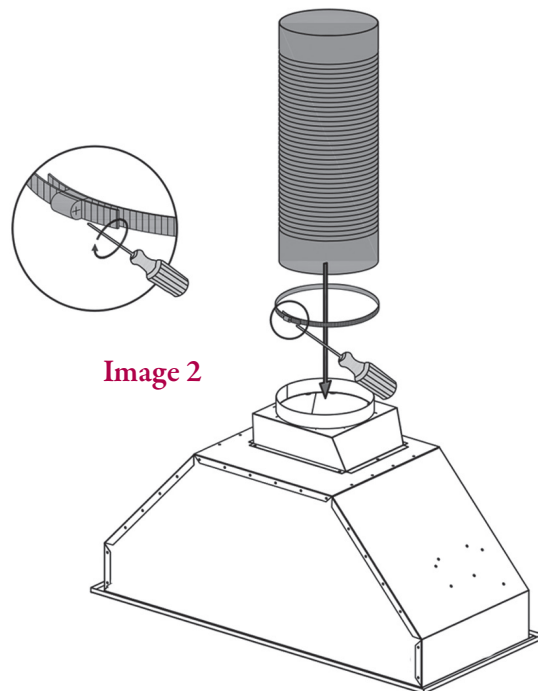


Image 2



Range Hood Insert Installation

- 1 Follow instructions for wall hood mount to mount the range hood.
- 2 Attach brackets provided to the remote blower.
- 3 Install remote blower unit in the attic, crawl space, DO NOT install outside of the home, must be attached to a joist, stud or rafter.
- 4 Connect ducting from the hood to the remote blower unit.
- 5 Connect ducting to the other side of the remote blower to outdoor where you will vent your hood.
- 6 Connect the electrical cord from the remote blower unit to the connection on the hood itself. Make sure all connections are secure.

Image 3

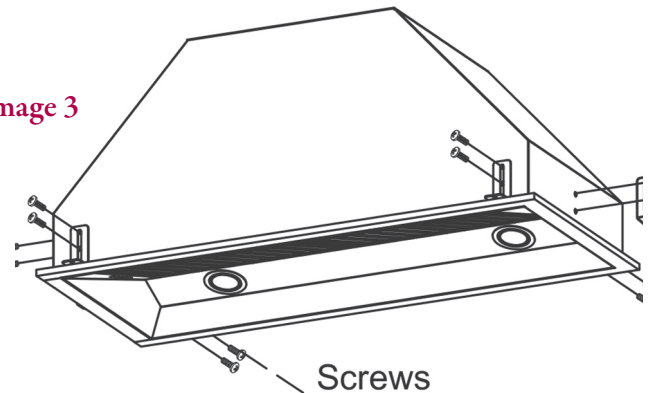
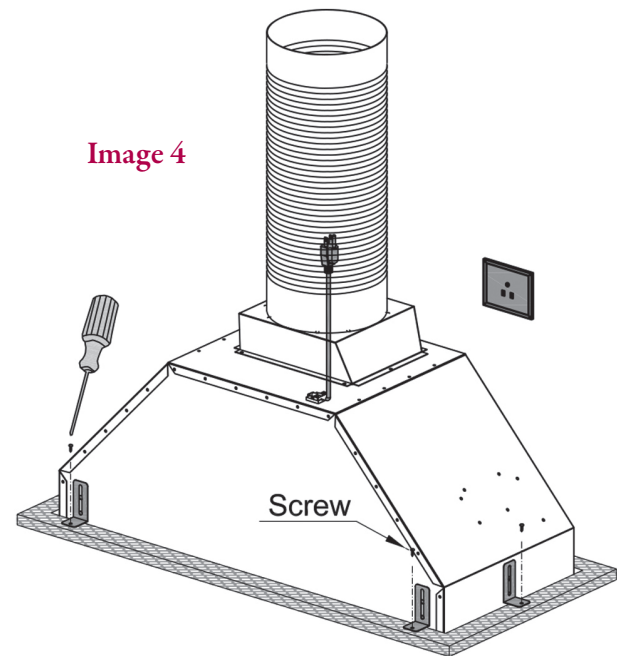


Image 4



★ *Due to some installation differences with custom hoods the L brackets may not work. Before installing insert please determine if the insert will work for your installation needs. You may predrill holes into the insert unit to accommodate for custom hood installations.*

*Note: Electrical cord is 26' in length.

*Note: Make certain to connect the electrical cord to the hood and plug the blower motor in to test the unit.

Remote Blower Installation Options

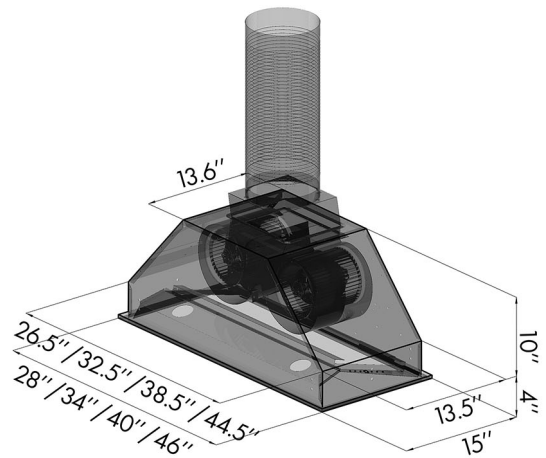


Installation
Tutorial Video

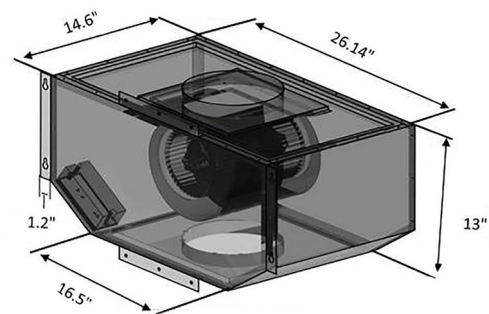
★ *When installing your new remote blower type range hood, follow the instructions for the type of hood you are installing. If you are installing a wall, Island, under cabinet or insert hood then you will follow those instructions. This portion of the manual will explain how to install the remote blower for your range hood.*

Remote Blower Installation:

- 1 Run duct work into the area that you will install the remote from your range hood.
- 2 Fasten ducting to the range hood using a hose clamp and silver/duct tape.
- 3 Use the least amount of elbows as possible.
- 4 Mount the remote blower to studs only.



*Motor not in-unit for remote models.



Remote Blower Installation Options

5 Run electrical cord (Provided) back to the range hood (up to 26').

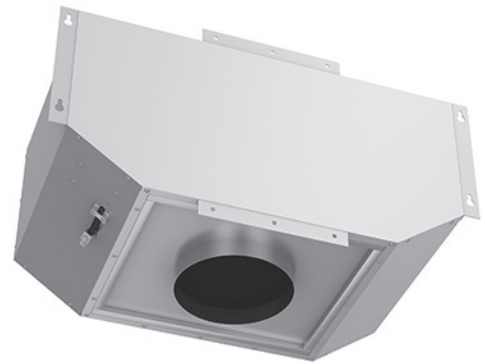
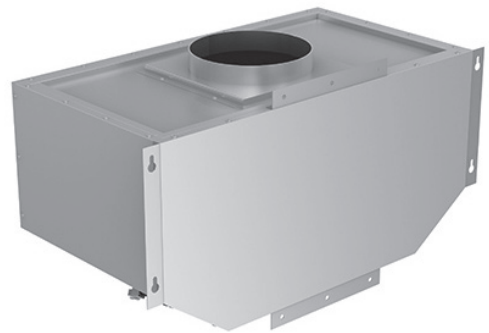
6 Install a regular outlet with a 20 amp circuit.

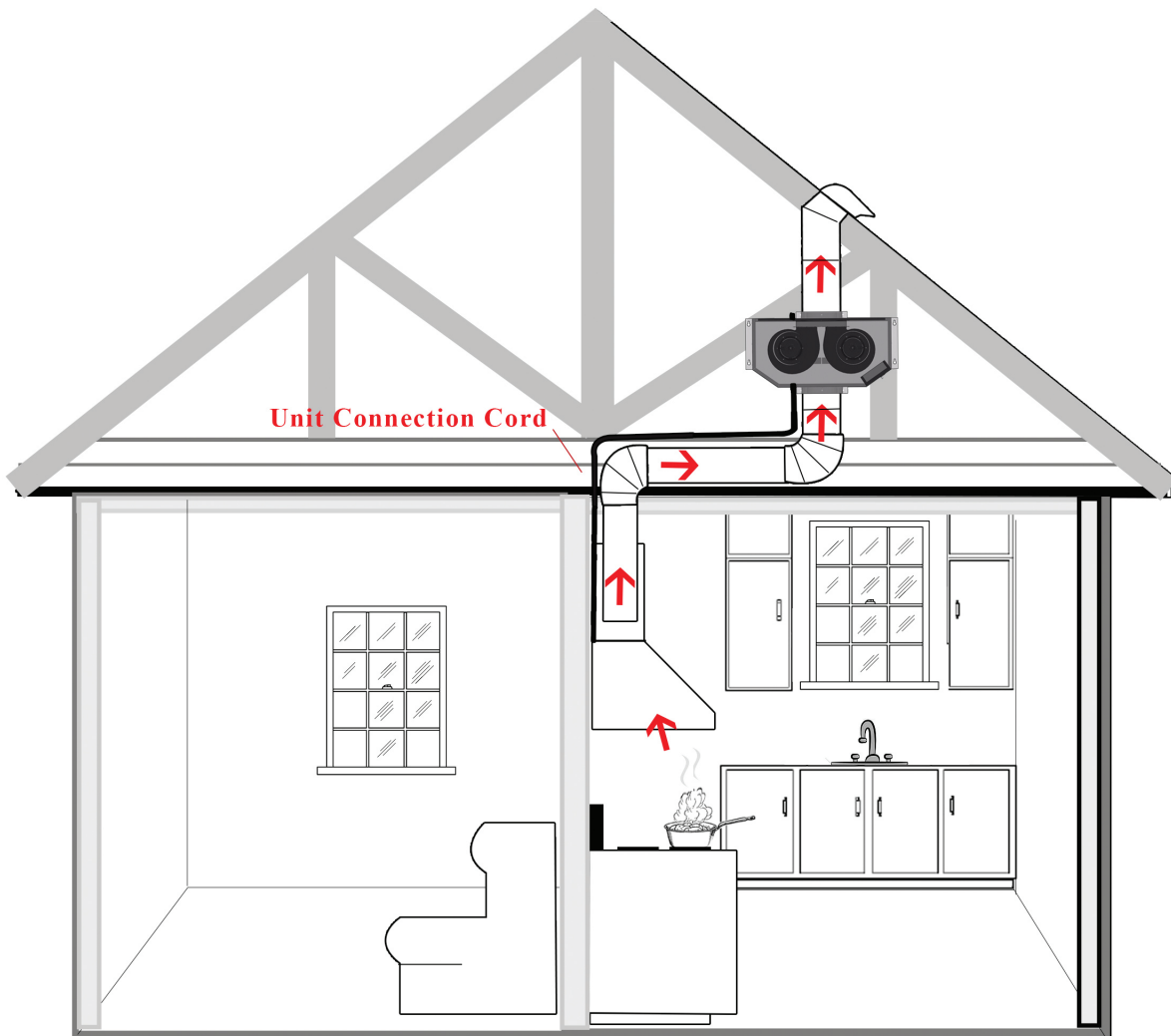
7 The hood comes with a grounded 3 prong grounded plug.

8 Run duct work to the outside of the house and add a back draft damper outside.

NOTE: *The remote blower must be kept inside the home, attic or crawl space etc. Never try to install a remote blower outside of the home.*

Remote Blower
with Brackets





The Remote Blower is designed for our Remote Range Hoods.
This unit is installed remotely in the interior of your home.
This provides venting, but with reduced noise.

T85 Remote Blower—Single Motor

(This Blower must be used with Remote Blower Hood)

Airflow 280 / 400 / 580 / 900 (CFM)

Noise Level: 1.2 / 2.6 / 4.2 / 6.5 (Sones)

Dimensions: 26.14 x 14.6 x 13

T95 Remote Blower—Dual Motor

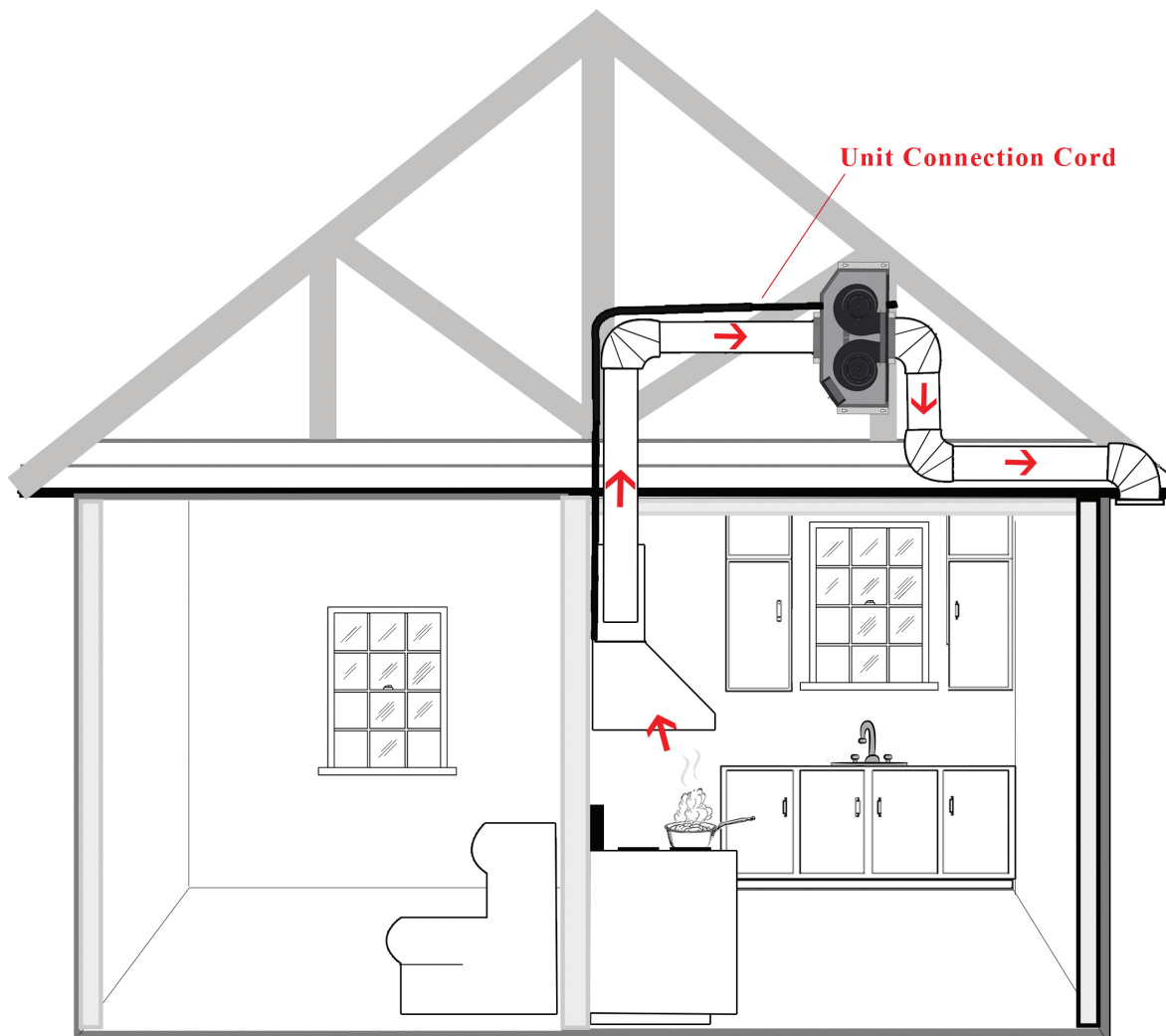
(This Blower must be used with Remote Blower Hood)

Airflow 280 / 460 / 670 / 1200 (CFM)

Noise Level: 1.2 / 2.8 / 5.0 / 7.0 (Sones)

Dimensions: 26.14 x 14.6 x 13

Remote Blower Installation Options



The Remote Blower is designed for our Remote Range Hoods.
This unit is installed remotely in the interior of your home.
This provides venting, but with reduced noise.

T85 Remote Blower—Single Motor

(This Blower must be used with Remote Blower Hood)

Airflow 280 / 400 / 580 / 900 (CFM)

Noise Level: 1.2 / 2.6 / 4.2 / 6.5 (Sones)

Dimensions: 26.14 x 14.6 x 13

T95 Remote Blower—Dual Motor

(This Blower must be used with Remote Blower Hood)

Airflow 280 / 460 / 670 / 1200 (CFM)

Noise Level: 1.2 / 2.8 / 5.0 / 7.0 (Sones)

Dimensions: 26.14 x 14.6 x 13