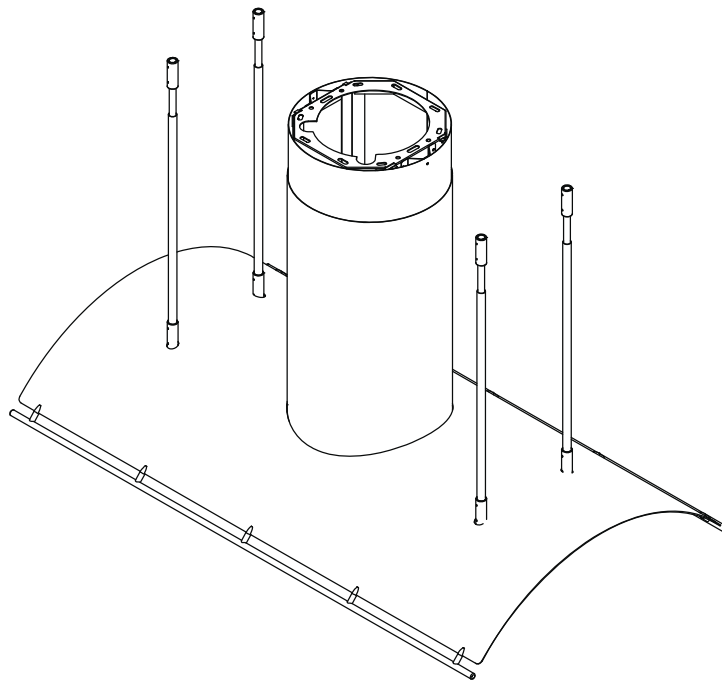


# Use, Care, and Installation Guide

## Trapeze

CTP-E48BSX  
CTP-E54BSX  
CTP-E60BSX



Model number: \_\_\_\_\_  
Serial Number: \_\_\_\_\_  
Date of Purchase: \_\_\_\_\_  
Sales Dealer: \_\_\_\_\_





---

**SAFETY NOTICE** ..... 2-3

**LIST OF MATERIALS** ..... 4

**INSTALLATION**

    Ducting Calculation Sheet..... 5

    Mounting Height & Clearance..... 6

    Ducting Options ..... 7

    Hood Specifications ..... 8

    Blower Preparation..... 9-11

    Mounting the Range Hood..... 12-14

**FEATURES & CONTROLS**

    Touch Controls ..... 15

    Features..... 16

    Optional Remote Control ..... 17

**MAINTENANCE**

    Cleaning and Installing Filters ..... 18

**TROUBLESHOOTING**..... 19

**WIRING DIAGRAMS** ..... 20-21

**LIST OF PARTS AND ACCESSORIES** ..... 22

**Important Safety Notice**

**WARNING**

TO REDUCE THE RISK OF FIRE OR ELECTRIC SHOCK, DO NOT USE THIS FAN WITH ANY SOLID-STATE CONTROL DEVICE.

**WARNING**

TO REDUCE THE RISK OF FIRE, ELECTRIC SHOCK, OR INJURY TO PERSONS, OBSERVE THE FOLLOWING:

- a. Use this unit only in the manner intended by the manufacturer, if you have questions, contact the manufacturer.
- b. Before servicing or cleaning unit, switch power off at service panel and lock panel to prevent power from being switched on accidentally. When the service disconnecting means cannot be locked, securely fasten a prominent warning device, such as a tag, to the service panel.

**CAUTION**

For general ventilating use only. Do not use to exhaust hazardous or explosive materials and vapors. Take care when using cleaning agents or detergents. Suitable for use in household cooking area.

**WARNING**

TO REDUCE THE RISK OF RANGE TOP GREASE FIRE:

- a. Never leave surface units unattended at high settings. Boilovers cause smoking and greasy spillovers that may ignite. Heat oils slowly on low or medium settings.
- b. Always turn hood ON when cooking at high heat or when flaming food
- c. Clean ventilating fans frequently. Grease should not be allowed to accumulate on fan or filter.
- d. Use proper pan size. Always use cookware appropriate for the size of the surface element.
- e. Keep fan, filters and grease laden surfaces clean.
- f. Use high setting on hood only when necessary.
- g. Don't leave hood unattended when cooking.
- h. Always use cookware and utensils appropriate for the type of and amount of food being prepared.

**WARNING**

TO REDUCE THE RISK OF INJURY TO PERSONS IN THE EVENT OF A RANGE TOP FIRE, OBSERVE THE FOLLOWING:

- a. SMOTHER FLAMES with a close-fitting lid, cookie sheet, or metal tray, then turn off the burner. BE CAREFUL TO PREVENT BURNS. If the flames do not go out immediately, EVACUATE AND CALL THE FIRE DEPARTMENT.
- b. NEVER PICK UP A FLAMING PAN – You may be burned.
- c. DO NOT USE WATER, including wet dishcloths or towels – a violent steam explosion will result.
- d. Use an extinguisher ONLY if:
  - 1. You know you have a Class ABC extinguisher, and you already know how to operate it.
  - 2. The fire is small and contained in the area where it started.
  - 3. The fire department is being called.
  - 4. You can fight the fire with your back to an exit

**WARNING**

TO REDUCE THE RISK OF FIRE, ELECTRIC SHOCK OR INJURY TO PERSONS, OBSERVE THE FOLLOWING:

- a. Installation work and electrical wiring must be done by qualified person(s) in accordance with all applicable codes and standards. Including fire-rated construction.
- b. Sufficient air is needed for power combustion and exhausting of gases through the flue (chimney) of fuel burning equipment to prevent back-drafting. Follow the heating equipment manufacturer's guideline and safety standards such as those published by the National Fire Protection Association (NFPA) and the American Society for Heating, Refrigeration and Air Conditioning Engineers (ASHRAE) and the local code authorities.
- c. When cutting or drilling into wall or ceiling, do not damage electrical wiring and other hidden utilities.
- d. Ducted fans must always vent to the outdoors.
- e. If this unit is to be installed over a tub or shower, it must be marked as appropriate for the application and be connected to a GFI (Ground Fault Interrupter protected branch circuit).
- g. NEVER place a switch where it can be reached from a tub or shower.
- h. Make sure the power is off before installing, wiring or maintenancing.

**WARNING**

TO REDUCE THE RISK OF FIRE, USE ONLY METAL DUCTWORK.  
NOT FOR USE IN OUTDOOR COOKING ENVIRONMENTS.

**CAUTION**

To reduce risk of fire and to properly exhaust air outside - Do not vent exhaust air into spaces within walls, ceilings, attics, crawl spaces or garages.

**OPERATION**

Always leave safety grilles and filters in place. Without these components, operating blowers could catch onto hair, fingers and loose clothing.

The manufacturer declines all responsibility in the event of failure to observe the instructions given here for installation, maintenance and suitable use of the product. The manufacturer further declines all responsibility for injury due to negligence and the warranty of the unit automatically expires due to improper maintenance.

**\*NOTE: Please check [www.zephyronline.com](http://www.zephyronline.com) for revisions before doing any custom work.**

**ELECTRICAL REQUIREMENTS**

**Important:**

Observe all governing codes and ordinances.

It is the customer's responsibility:

- To contact a qualified electrical installer.
- To assure that the electrical installation is adequate and in conformance with National Electrical Code, ANSI/NFPA 70 latest edition\* or CSA standards C22.1-94, Canadian Electrical Code, Part 1 and C22.2 No.0-M91 - latest edition\*\* and all local codes and ordinances.

If codes permit and a separate ground wire is used, it is recommended that a qualified electrician determine that the ground path is adequate.

Do not ground to a gas pipe.

Check with a qualified electrician if you are not sure the range hood is properly grounded.

Do not have a fuse in the neutral or ground circuit.

\*National Fire Protection Association Batterymarch Park, Quincy, Massachusetts 02269

\*\* CSA International 8501 East Pleasant Valley Road, Cleveland, Ohio 44131-5575

This appliance requires a 120V 60Hz electrical supply and connected to an individual properly grounded branch circuit protected by a 15 or 20 ampere circuit breaker or time delay fuse. Wiring must be 2 wire with ground. Please also refer to Electrical Diagram on product.

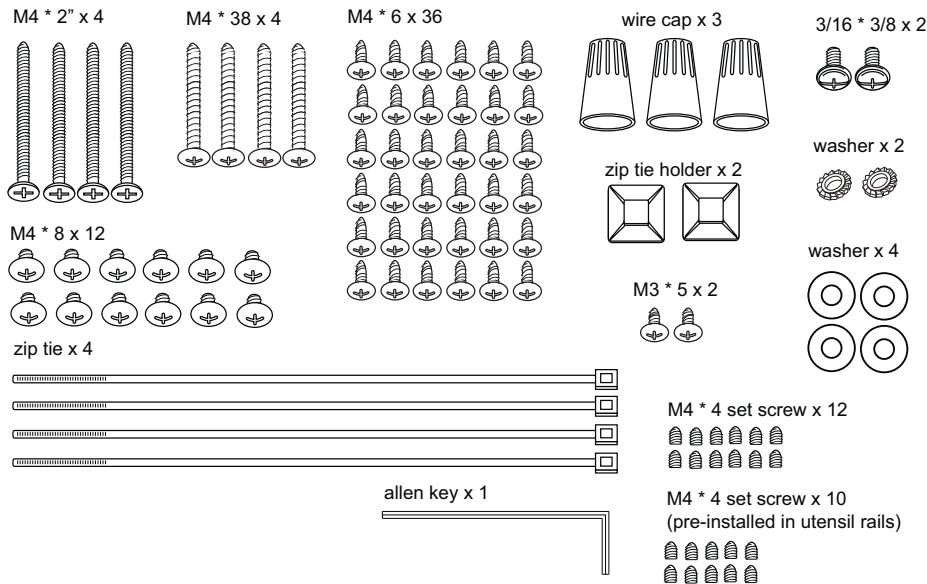
A cable locking connector (not supplied) might also be required by local codes. Check with local requirements, purchase and install appropriate connector if necessary.

# List of Materials

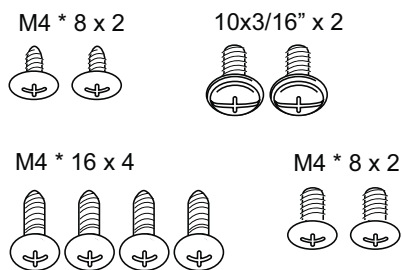
MODEL: CTP-E48BSX, CTP-E54BSX, CTP-E60BSX

- 1 - Hood
- 2 - Baffle Filters
- 4 - 6W Zephyr Bloom™ HD LED Light Bulbs
- 2 - Telescopic Duct Covers
- 4 - Telescopic Support Rod Sets
- 4 - Telescopic Support Rod Couplers
- 1 - Duct Cover Ceiling Bracket
- 2 - Utensil Rails
- 4 - Angle Brackets (short)
- 4 - Angle Brackets (long)
- 1 - 8" Round Starting Collar
- 1 - AC Power Wiring Box
- 1 - Remote Blower Wire Harness & Wiring Box
- 1 - Motor Housing w/ Internal Motor Housing Flange
- 1 - Remote Blower Motor Housing Flange
- 1 - Hardware Packet

## Hardware Packet Contents



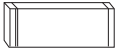


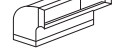


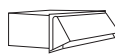




## Internal Blower Hardware Packet Contents








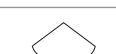




## Parts Not Supplied

- Ducting, conduit and all installation tools
- Cable connector (if required by local codes)
- Internal Blower Kits (CBI-290A / CBI-600A)
- External Blower Kit (CBE-1000)
- In-Line Blower Kit (PBN-1000A)
- Duct Cover Extension Accessory

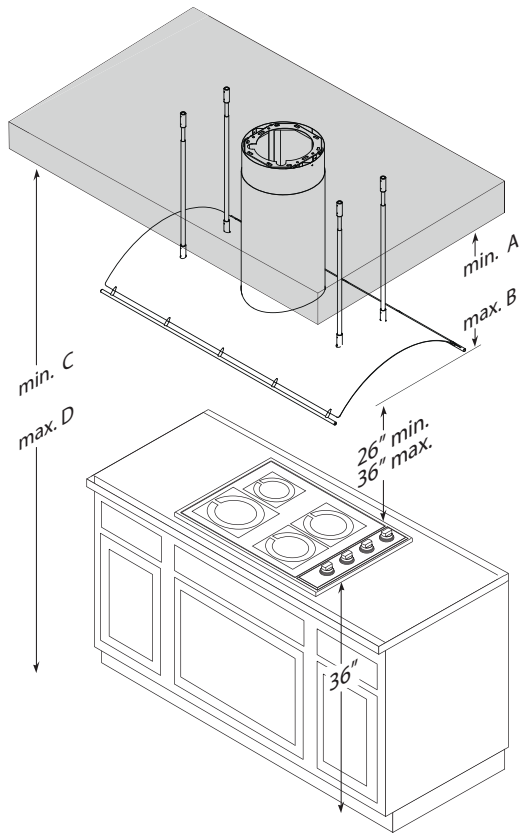
# Installation – Ducting Calculation Sheet

Duct pieces		Equivalent number length x used =	Total
	3-1/4" x 10" Rect., straight	1 Ft. x ( ) =	Ft.
	7" Round, straight	1 Ft. x ( ) =	Ft.
	8" Round, straight	1 Ft. x ( ) =	Ft.
	3-1/4" x 10" Rect. 90° elbow	15 Ft. x ( ) =	Ft.
	3-1/4" x 10" Rect. 45° elbow	9 Ft. x ( ) =	Ft.
	3-1/4" x 10" Rect. 90° flat elbow	24 Ft. x ( ) =	Ft.
	3-1/4" x 10" Rect. wall cap with damper	30 Ft. x ( ) =	Ft.
	3-1/4" x 10" Rect. to 6" round transition	5 Ft. x ( ) =	Ft.
	3-1/4" x 10" Rect. to 6" round transition 90° elbow	15 Ft. x ( ) =	Ft.
	6" Round, 90° elbow	15 Ft. x ( ) =	Ft.
	6" Round, 45° elbow	9 Ft. x ( ) =	Ft.
Subtotal column 1 =			Ft.

Duct pieces		Equivalent number length x used =	Total
	6" - 8" Round wall cap with damper	30 Ft. x ( ) =	Ft.
	6" - 8" Round, roof cap	30 Ft. x ( ) =	Ft.
	6" round to 3-1/4" x 10" rect. transition	1 Ft. x ( ) =	Ft.
	6" round to 3-1/4" x 10" rect. transition 90° elbow	16 Ft. x ( ) =	Ft.
	7" or 8" Round, 90° elbow	15 Ft. x ( ) =	Ft.
	7" or 8" Round, 45° elbow	9 Ft. x ( ) =	Ft.
	7" or 8" Round wall cap with damper	30 Ft. x ( ) =	Ft.
	7" or 8" Round, roof cap	30 Ft. x ( ) =	Ft.
	7" round to 3 1/4" x 10" rect. transition	8 Ft. x ( ) =	Ft.
	7" round to 3-1/4" x 10" rect. transition 90° elbow	15 Ft. x ( ) =	Ft.
Subtotal column 2 =			Ft.
Subtotal column 1 =			Ft.
Total ductwork =			Ft.

**Maximum Duct Length:** For satisfactory air movement, the total duct length of a 3 1/4" x 10" rectangular 6", 7" or 8" diameter round duct should not exceed 100 equivalent feet.

# Installation – Mounting Height & Clearance



Hood Heights	Standard Duct Cover	Extension Duct Cover
minimum (A)	34"	47"
maximum (B)	51 1/2"	72"
Ceiling Heights		
minimum (C)	96" (8')	109" (9' 1")
maximum (D)	123 1/2" (10' 3 1/2")	144" (12')

## DUCTING

A minimum of 6" round duct work must be used to maintain maximum air flow efficiency with the 290/600 cfm internal blower. A minimum of 10" to 8" round duct work must be used with the 1000 cfm remote blower.

Always use rigid type metal ducts only. Flexible ducts could restrict air flow by up to 50%.

Use calculation (on page 5) to compute total available duct run when using elbows, transitions and caps.

ALWAYS, when possible, reduce the number or transitions and turns. If long duct run is required, increase the duct size.. If a reducer is used, install a

long reducer instead of a pancake reducer. Reduce duct size as far away from opening as possible.

If turns or transitions are required; install as far away from opening and as far apart, between 2, as possible.

Minimum mount height between range top and hood bottom should be no less than 26".

Maximum mount height should be no higher than 36".

It is important to install the hood at the proper mounting height. Hoods mounted too low could result in heat damage and fire hazard; while hoods mounted too high will be hard to reach and will lose its performance and efficiency.

If available, also refer to range manufacturer's height clearance requirements and recommended hood mounting height above range.

### Vertical Ducting:

6" round minimum (internal blower)  
10" to 8" round minimum (remote blower)

### Horizontal Ducting:

N/A

### DAMAGE-SHIPMENT / INSTALLATION:

- Please fully inspect unit for damage before installation.
- If the unit is damaged in shipment, return the unit to the store in which it was bought for repair or replacement.
- If the unit is damaged by the customer, repair or replacement is the responsibility of the customer.
- If the unit is damaged by the installer (if other than the customer), repair or replacement must be made by arrangement between customer and installer.



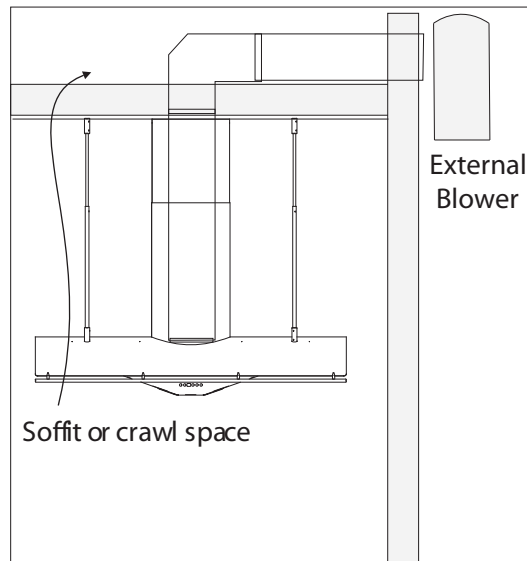
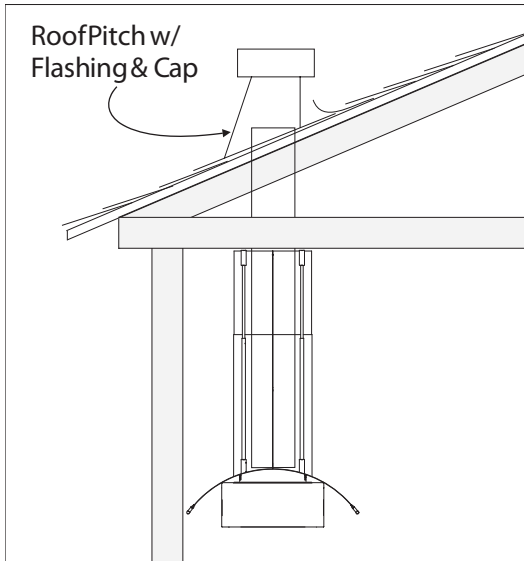
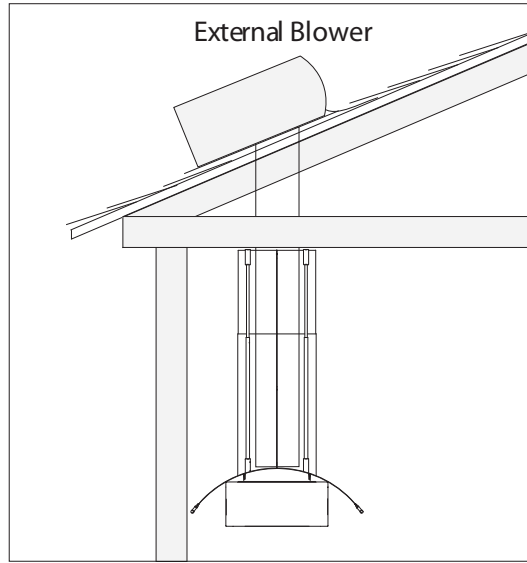
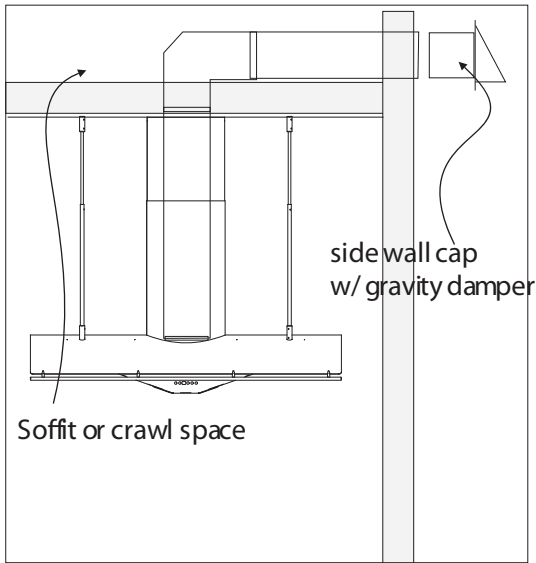
**WARNING FIRE HAZARD**

NEVER exhaust air or terminate duct work into spaces between walls, crawl spaces, ceiling, attics or garages. All exhaust must be ducted to the outside.

Use metal ductwork only.

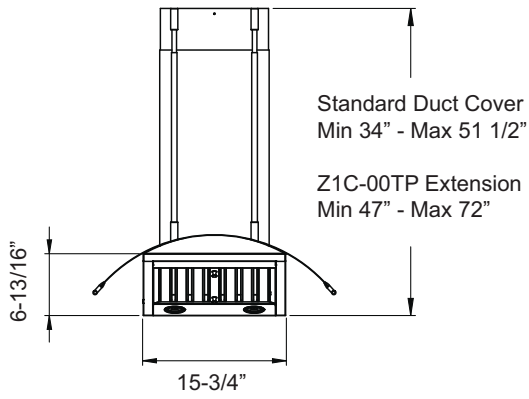
Fasten all connections with sheet metal screws and tape all joints with certified Silver Tape or Duct Tape.

**Some Ducting Options**

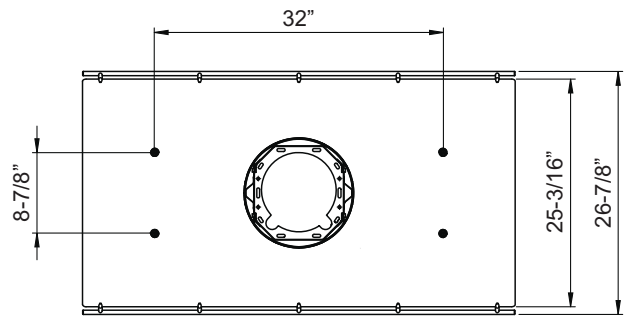


# Installation – Hood Specifications

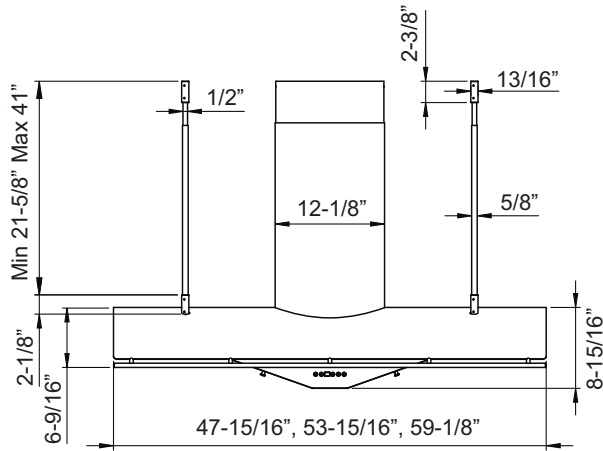
Side View



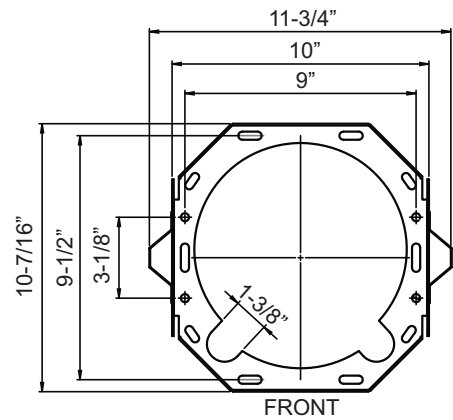
Top View



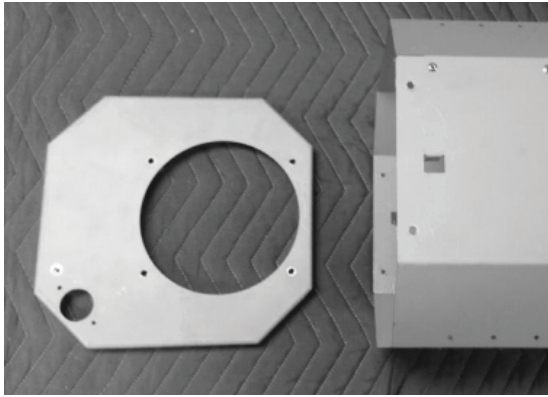
Front View



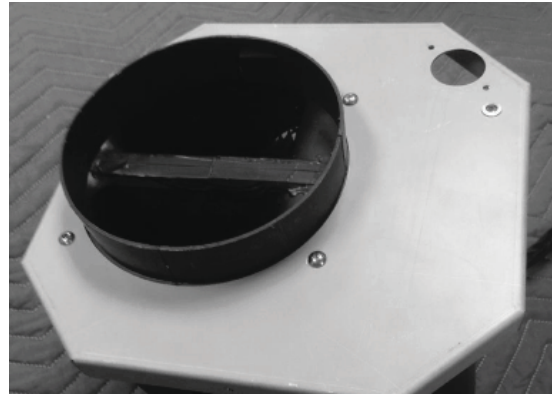
Ceiling Bracket



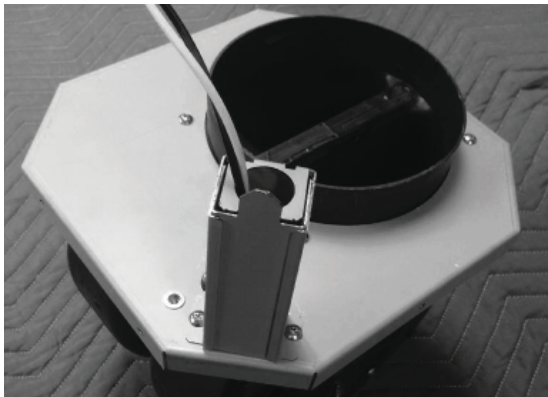
## INTERNAL BLOWER PREPARATION



1. Remove internal blower flange from motor housing by (6) screws.



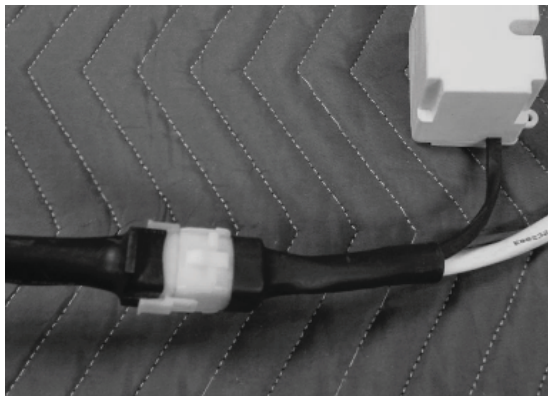
2. Secure internal blower to internal blower flange by (4) M4\*16 screws from internal blower hardware.



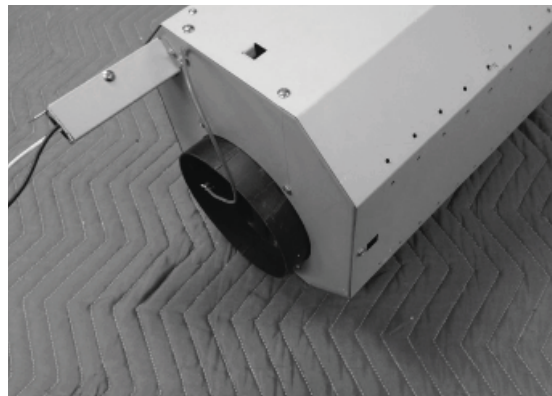
3. Secure AC power wiring box to internal blower flange by (2) M4\*8 screws.



4. Secure ground wire to underside of internal blower flange by (1) 3/16\*3/8 screw and (1) washer.



5. Connect 9 pin molex connector from capacitor cable to 9 pin molex connector from internal blower.



6. Re-install internal blower flange to motor housing by (6) screws previously removed from step 1.

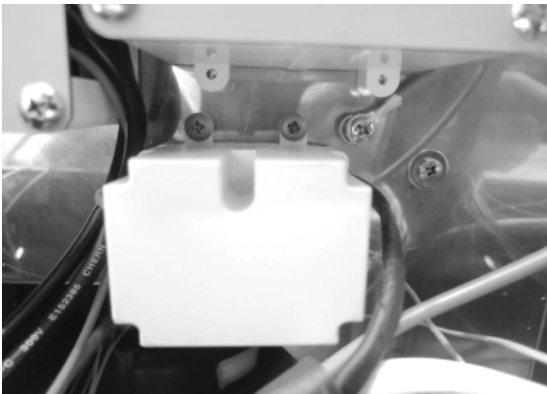
**INTERNAL BLOWER PREPARATION CONT.**



7. Secure motor housing to hood body by (12) M4\*6 screws.

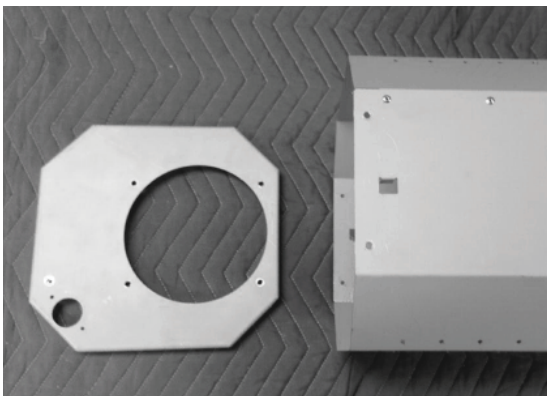


8. Connect 6 pin molex connector from capacitor cable to 6 pin molex connector from control box. Connect 2 pin plug from AC power cable to 2 pin plug from control box. Secure cables to hood interior with zip ties and zip tie holders.

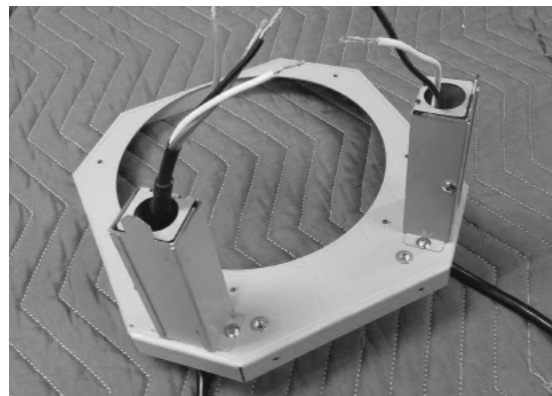


9. Secure capacitor box to internal hood body by (2) M4\*8 screws and secure ground wire by (1) 3/16\*3/8 screws.

**REMOTE BLOWER PREPARATION**

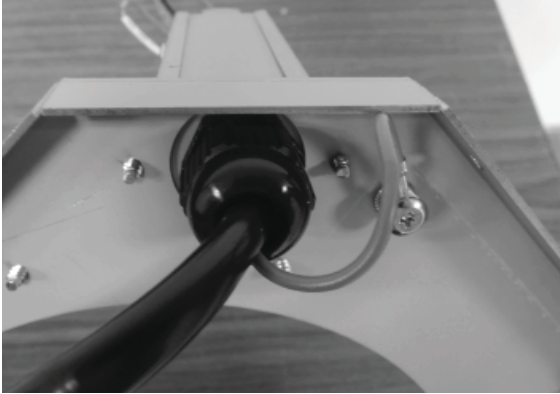


1. Remove internal blower flange from motor housing by (6) screws.



2. Secure AC power box and remove blower wiring box to remote blower flange by (2) M4\*8 screws each.

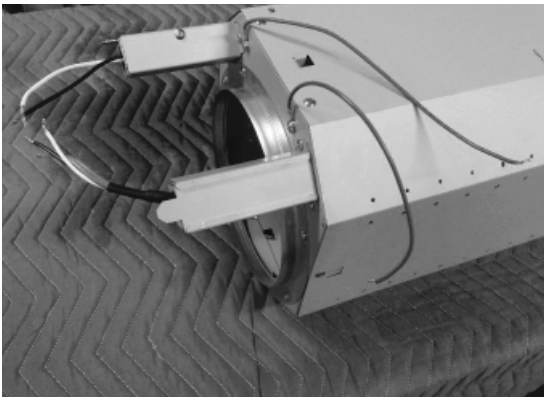
REMOTE BLOWER PREPARATION CONT.



3. Secure AC power ground wire and remote blower ground wire to underside of remote blower flange by (1) 3/16\*3/8 screw and (1) washer each.



4. Secure remote blower 8" round collar to remote blower flange by (8) M4\*8 screws.



5. Secure remote blower flange to motor housing using (6) screws previously removed from step 1.



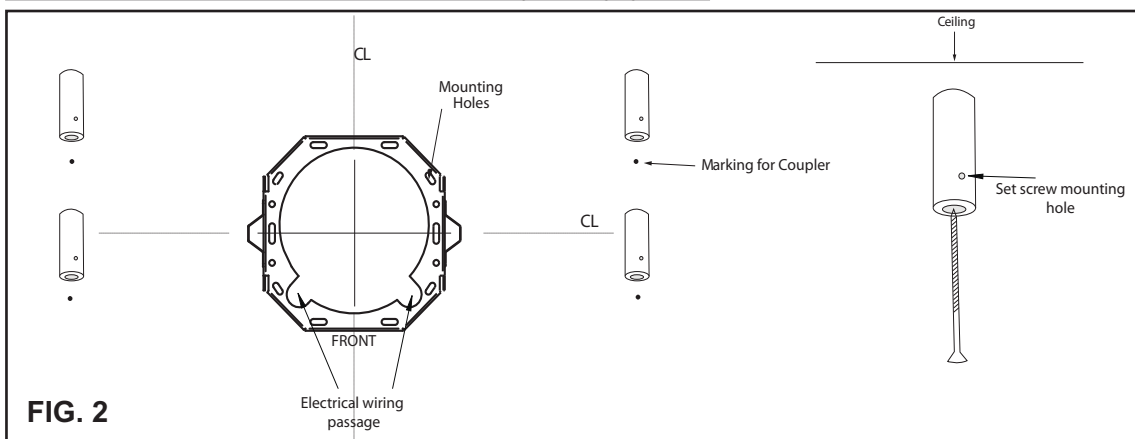
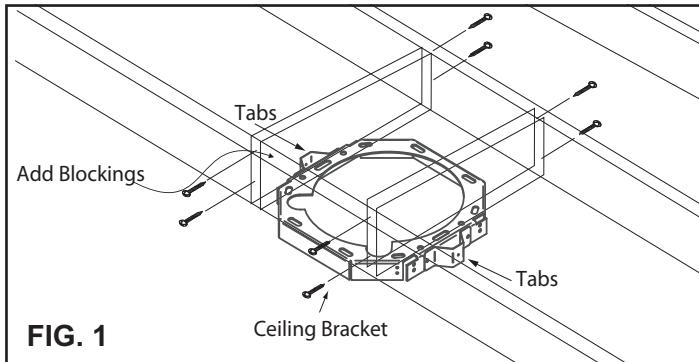
6. Secure motor housing to hood body by (12) M4\*6 screws.



7. Connect 6 pin molex connector from remote blower wiring box to 6 pin molex connector from control box. Connect 2 pin plug from AC power cable to 2 pin plug from control box. Secure cables to hood interior with zip ties and zip tie holders.

**NOTE:** For instructions on mounting the remote blower please refer to the CBE-1000 or PBN-1000A remote blower manual included in the remote blower packaging or on our website at [www.zephyronline.com](http://www.zephyronline.com)

# Installation – Mounting the Range Hood



1. Determine the location for mounting the hood. Mark centerlines front to back and left to right of hood placement. Place supplied paper template on ceiling and center marked center lines with template center lines. Mark mounting holes for ceiling bracket and telescopic rod couplers.
2. Cut out hole in ceiling for the duct work and electrical wiring passage.
3. Add and secure wood blockings (minimum 2x4 studs) between ceiling joists for ceiling bracket and telescopic rod couplers if needed. FIG. 1.
4. Center, mark and fasten ceiling bracket onto ceiling using (4) M4\*38 screws and (4) washers. Make sure the word "FRONT" displayed on the ceiling bracket is facing the front of the hood where the controls will be located. FIG. 2.
5. Attach telescopic rod couplers to marked locations on ceiling using (1) M4\*2" wood screw for each coupler. Make sure the set screw mounting hole is toward the bottom of the coupler during mounting. FIG. 2.
6. Prepare and position electrical wiring and duct work through ceiling bracket.

## ELECTRICAL WARNING

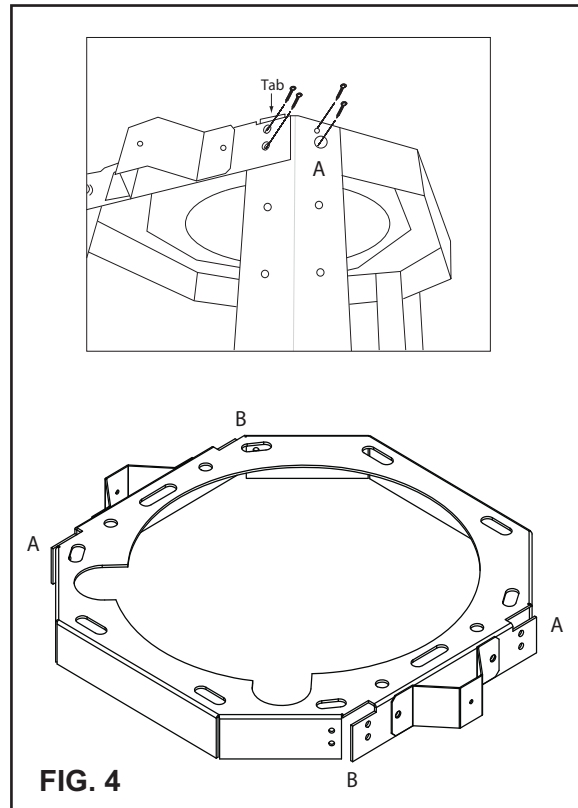
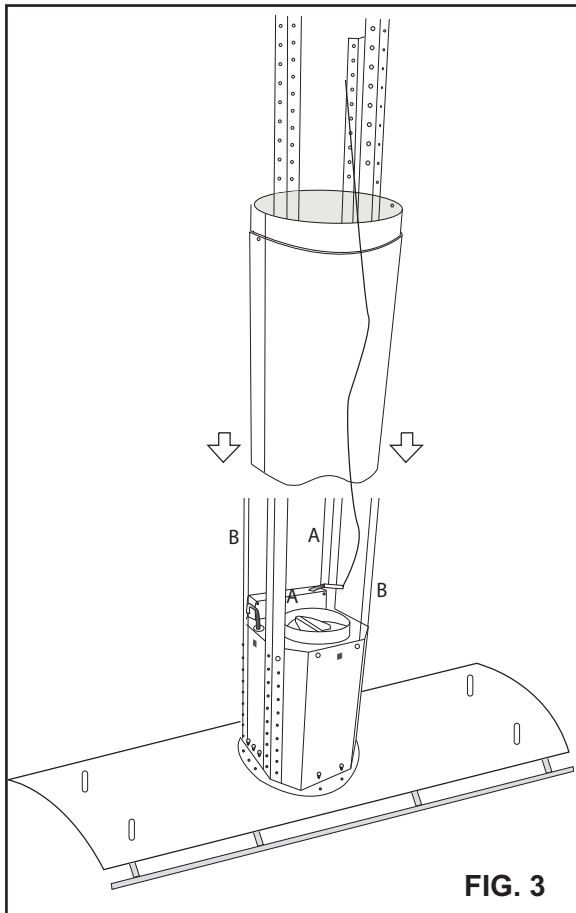
**All Electrical work must be performed by qualified electrician or person with similar technical know how and background.**

For personal safety, remove house fuse or open circuit breaker before beginning installation. Do not use extension cord or adapter plug with this appliance.

**Follow national electrical codes or prevailing local codes and ordinances.**

**Electrical Supply:** This appliance requires a 120V 60Hz electrical supply, and connected to an individual, properly grounded branch circuit, protected by a 15 or 20 ampere circuit breaker or time delay fuse. Wiring must be 2 wire w/ ground. Please also refer Electrical Diagram labeled on product.

**Cable Lock:** A cable locking connector (not supplied) might also be required by local codes. Check with local requirements and codes, purchase and install appropriate connector if necessary.

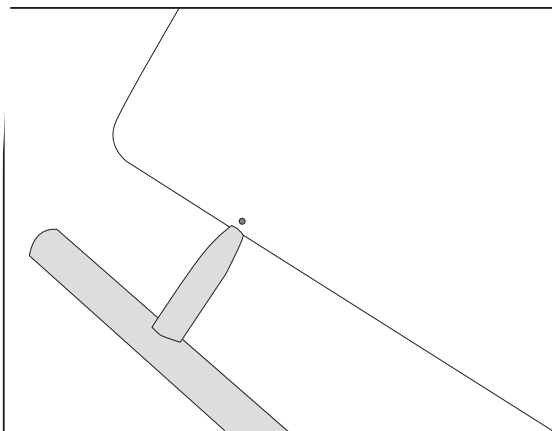
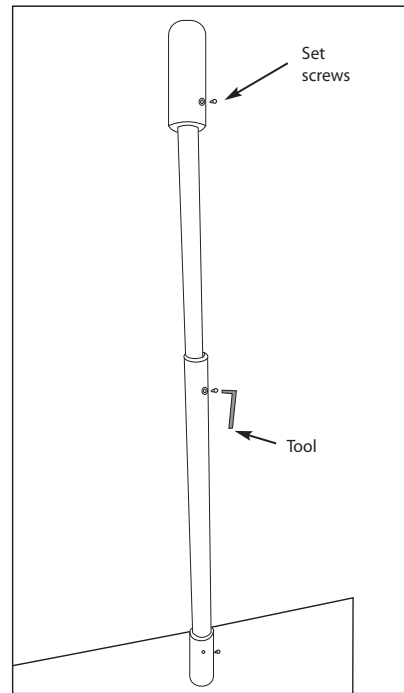


7. Determine desired height of hood, measure and select either 27 3/8" or 35 3/8" angle brackets. Position and attach angle brackets type A and B to the motor housing as shown using (8) M4\*6 screws, (2) for each angle bracket. FIG. 3.
8. Slide duct covers over motor housing. Make sure bottom duct cover with cut-out is facing the front and back of hood. FIG. 3.
9. Lift assembled unit and attach all (4) angle brackets to ceiling bracket. Make sure the tabs on each angle bracket fit between the slots on the ceiling bracket. One half of the angle bracket will be outside the ceiling bracket and the other half outside the ceiling bracket. Attach angle brackets to ceiling bracket using (16) M4\*6 screws, (4) for each angle bracket. FIG. 4.
10. Connect duct work and electrical wiring.
11. Slide up upper duct cover and attach to ceiling bracket using (2) M3\*5 screws.

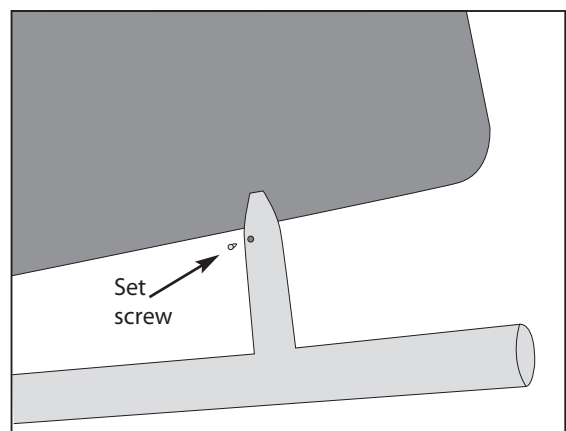
# Installation – Mounting the Range Hood

## Telescopic Rod Installation

1. Install telescopic rod (thicker end down) into coupler on top of hood and secure by (1) M4\*4 set screw for each rod.
2. Extend inner telescopic rod to ceiling coupler and attach by (1) M4\*4 set screw for each rod.
3. Secure telescopic rods together at top of outer rod by (1) M4\*4 set screw for each rod set.



**FRONT**

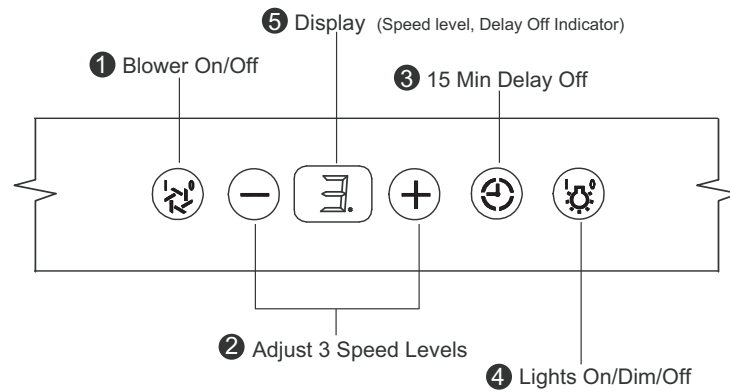


**BACK**


## Utensil Rail Installation

1. Attach utensil rail to long side of hood canopy. A small hole has been pre-drilled into the canopy to provide a starting point to attach the first utensil rail post. After the first post is lined up with the hole, gently slide the rest of the rail onto the canopy. Use caution and be careful not to scratch the stainless steel of the canopy when performing this step.
2. Secure utensil rail to hood canopy by (1) M4\*4 set screw pre-installed into each post. Repeat step for other side of canopy.









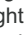
**1 Blower On/Off**

By pressing , the blower is switched On and Off. When switched on, the blower and lights turn on at the same setting they were switched off at. When switched off the entire hood powers off, including the LED and Mood lights.


**2 Speed Selection**

The 3 speed levels are selected by pressing  to decrease and  to increase speed level. The display indicates speed level selected. Pressing  when the hood is off will also turn it on.

**3 Delay Off**

This is used for programmed shut down of blower and lights 15 minutes after the function is activated. Press  once, a dot displays in the lower right hand side of display  indicating the function is on. The hood will change to speed 1 and shut down after 5 minutes.


**4 Lights On/Dim/Off**

Switch lights On by pressing  once, again to dim and again to switch Off.

**5 Display**

Displays blower speed level, delay off status and filter clean/replace notification.

**Baffle Filter Clean Reminder**

After every 30 hours of use the display will start flashing an  reminding you to clean the baffle filters from residue and possible clogs.

**Clean Air Feature**

Clean Air is a feature that turns the blower on every 4 hours for 10 minutes to remove stagnant air in the kitchen. This feature is disabled by default and must be enabled by the user.

The standard baffle filters are required to be cleaned frequently and as recommended in order to maintain blower efficiency. If improperly maintained, residue from cooking will sift through filters and cause damage to hood blowers and other sensitive components; and possibly clog duct work and create a fire hazard.

**Baffle Filter Clean Reminder**

Whether your hood is installed as an exhaust or purifying unit, a set of baffle filters are fitted by the factory. These baffle filters are intended to filter out residue from cooking. They need not be replaced on a regular basis but are required to be kept clean. The filter clean reminder function in the microprocessor will automatically indicate by a flashing **F** when the baffle filters need to be cleaned after every 30 hours of use. Filters can be cleaned by hand with non-abrasive soap or in a dishwasher. Heavily soiled filters should also be soaked in grease cutting detergent prior to cleaning.

**Baffle Filter Clean Indicator**

When **F** flashes on display, the baffle filters installed are required to be cleaned. This will occur after every 30 hours of use.

**Clean Filters**

display < F > flashes

**Re-setting Function**

Reset the filter clean reminder timer when filters are cleaned and re-installed (with hood off). Press and hold for approximately 5 seconds, the display will appear; hold for approximately 5 seconds until **F** on display disappears . The filter clean reminder function is now reset and a new 30 hours elapse cycle is initiated.

**To Reset**

hold 5 sec. display from < F > to < >

**Clean Air Feature**

Clean Air is a feature that turns the fan on every 4 hours for 10 minutes to remove stagnant air in the kitchen. This feature is disabled by default and must be enabled by the user. When the clean air function is enabled, the blower will turn on speed 1, the display will flash between **A** and **1** until the 10 minute cycle has elapsed and the blower shuts down.

**To enable Clean Air Feature**

With hood off, press and hold for approximately 5 seconds until the display shows then **A**.

**To Enable**

hold 5 sec. display from < - > to < A >

**To disable Clean Air Feature**

With hood off, press and hold for approximately 5 seconds until the display shows **A** then .

**To Disable**

hold 5 sec. display from < A > to < - >

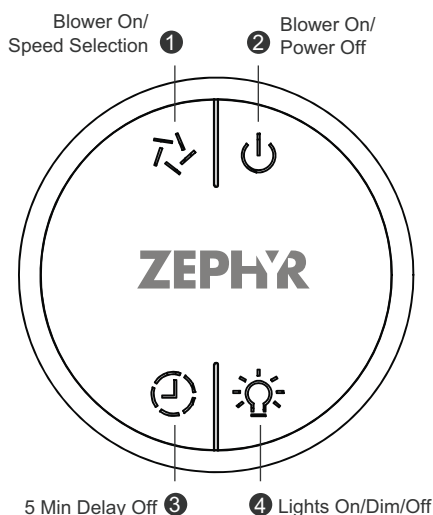


**FCC Caution:** To assure continued compliance, any changes or modifications not expressly approved by the party responsible for compliance could void the user's authority to operate this equipment. (Example - use only shielded interface cables when connecting to computer or peripheral device. This device complies with Part 15 of the FCC Rules. Operation is subject to the following two conditions. (1) This device may not cause harmful interference, and (2) This device must accept any interference received, including interference that may cause undesired operation.

**SYNCHRONIZATION:** To create a unique link between your hood and remote control please follow these steps:

1. With hood off, press and hold the "lights" button on the hood until the letter "F" shows on the display screen.
2. Press the "lights" button on the remote, the lights on the hood will turn on and synchronization is complete.

**RF REMOTE FUNCTIONS:**



**1 Blower On / Speed Selection**

Press to power on blower and cycle through all six blower speeds.

**2 Blower On / Power Off**

By pressing , the blowers will power on at the last speed setting. Press again and the entire hood will power off, including lights.

**3 Delay Off**

By pressing , the blower and lights will enter Delay Off mode. A dot will appear in the lower right corner of the hood display () indicating the function is on. The blower will change to speed 1 and shut down after 5 minutes.

**4 Lights On / Dim / Off**

Switch lights On by pressing once, again to dim and again to switch Off.

**RF REMOTE FEATURES:**

The RF remote control is equipped with a magnet on the back for easy storage. The remote may be placed on any magnetic surface such as a refrigerator or the Zephyr remote holder, FIG. 1. The remote holder can be inserted into a standard electrical outlet for easy storage. Note: The remote holder does not charge the RF remote.

Maximum remote control communication distance is 15 feet from the hood.

**RF REMOTE MAINTENANCE:**

Clean the remote control using non abrasive detergents

**Follow instructions below for replacing battery.**

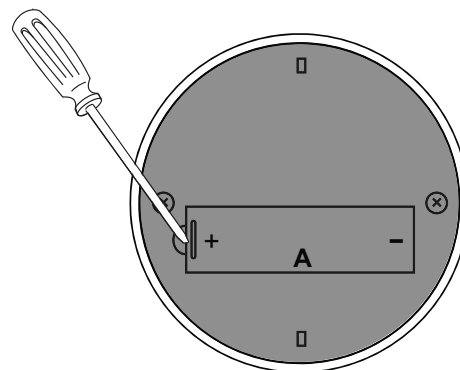
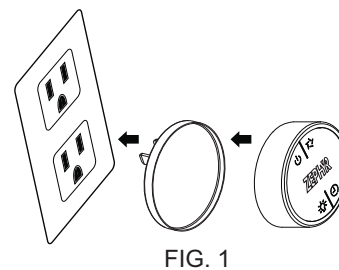
Using a small flat head screwdriver, raise the cover of the battery door (A) in order to access the battery compartment. FIG. 2.

Remove the battery and replace with battery type **A23 12V**.

Negative end of battery should face the spring inside the remote.

Re-install battery door and recycle old battery.

**THE RF REMOVE CONTROL IS AN OPTIONAL ACCESSORY NOT INCLUDED WITH THE HOOD AND MUST BE PURCHASED SEPARATELY**



**SURFACE MAINTENANCE:**

Clean periodically with hot soapy water and clean cotton cloth. Do not use corrosive or abrasive detergent, or steel wool/scoring pads which will scratch and damage surface.

For heavier soil use liquid degreaser.

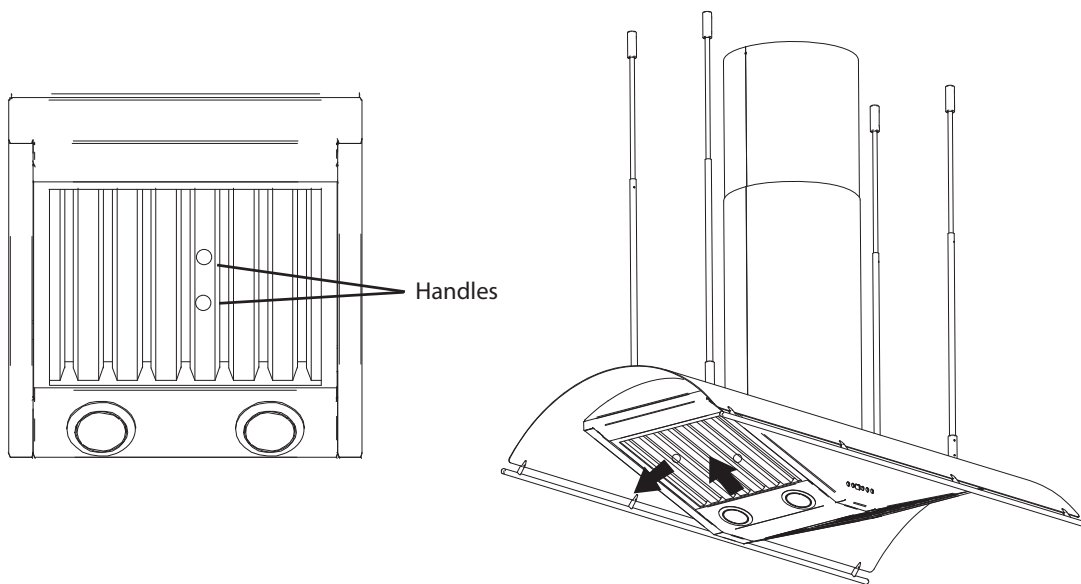
After cleaning, you may use non-abrasive stainless steel polish/ cleaners, to polish and buff out the stainless luster and grain. Always scrub lightly using a micro fiber or clean cotton cloth and with the stainless steel grain.

**Stainless Steel Baffle Filters**

The stainless steel baffle filters fitted by the factory are intended to trap residue and grease from cooking. Although the filters never need replacement, they are required to be cleaned every 30 - 60 days or more often depending on cooking habits.

Filters may be placed in dishwasher at low heat or soaked in hot soapy water. Dry filters and re-install before using hood.

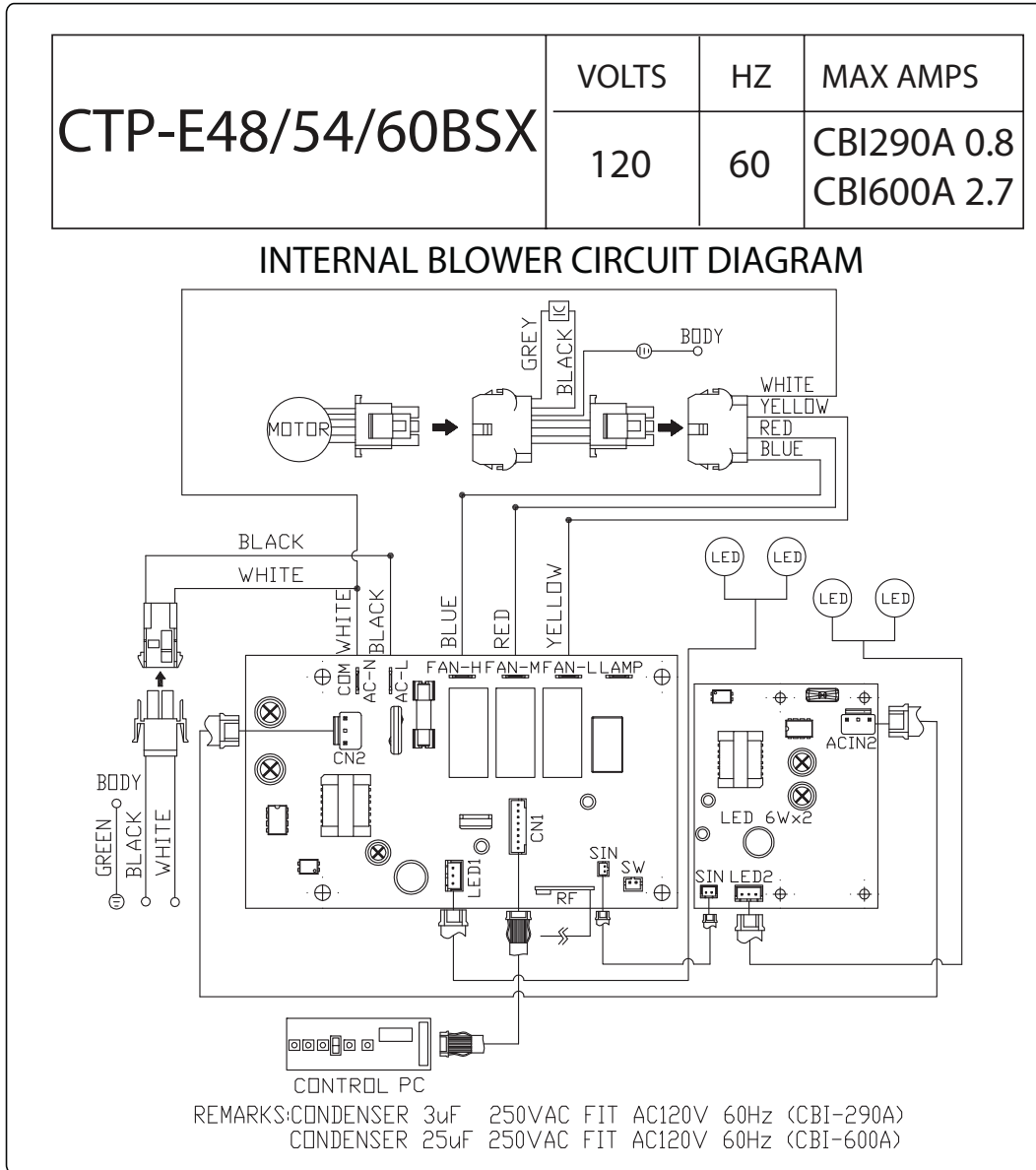
Remove filters by sliding away from center of hood and pulling down.



## TROUBLESHOOTING PROCEDURES FOR TRAPEZE

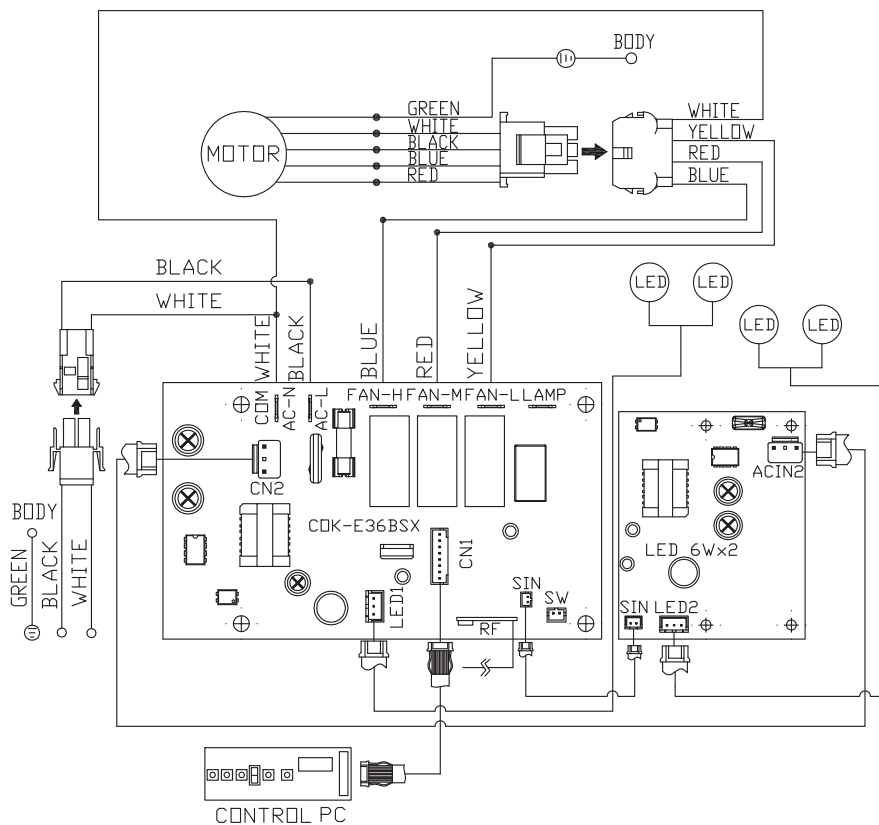
Issue	Cause	What to do
After installation, the unit doesn't work.	1. The power source is not turned ON.	1. Make sure the circuit breaker and the unit's power is ON.
	2. The power line and the cable locking connector is not connecting properly.	2. Check the power connection with the unit is connected properly.
	3. The switch board and control board wirings are disconnected.	3. Make sure the wirings between the switch board and control board are connected properly.
	4. The switch board or control board is defective.	4. Change the switch board or control board.
Light works, but blower is not turning.	1. Wire harness from external or internal blower might be disconnected.	1. Make sure the wires are connected to the control board box
	2. Blower molex plug pin is not making contact.	2. Disconnect the blower molex plug, check pins inside plug to see if pin is pushed inside the plug too far. Reseat pin if needed.
	3. The blower is defective, possibly seized.	3. Change the blower.
	4. The thermally protected system detects if the blower is too hot to operate and shuts the blower down.	4. The blower will function properly after the thermally protected system cool down.
	5. Damaged capacitor.	5. Change the capacitor.
The unit is vibrating.	1. The blower is not secure in place.	1. Tighten the blower in place.
	2. Damaged blower wheel/makes noise.	2. Change the blower.
	3. The hood is not secured in place.	3. Check the installation of the hood.
The unit is whistling.	1. A filter is not in the correct position.	1. Adjust the filters until the whistling stops.
	2. The duct pipe connections are not sealed or connected properly.	2. Check the duct pipe connections to be sure all connections are sealed properly.
The blower is working, but the lights are not.	1. The light socket plug is disconnected.	1. Connect the light socket plug.
	2. Defective LED bulb.	2. Change the LED bulb.
The hood is not venting out properly.	1. The hood might be hanging too high from the cook top.	1. Adjust the distance between the cook top and the bottom of the hood within 26" and 36" range.
	2. The wind from the opened windows or opened doors in the surrounding area are affecting the ventilation of the hood.	2. Close all the windows and doors to eliminate the outside wind flow.
	3. Blocking in the duct opening or ductwork.	3. Remove all the blocking from the duct work or duct opening.
	4. There are too many turns within the ducting.	4. Limit number of turns and/or increase duct size.
	5. Using the wrong size of ducting.	5. Change the ducting to at least 6" or higher for the internal blower and 8" or higher for the external blower.
Filter is vibrating.	1. Baffle filter is loose.	1. Remove filter and reinstall it or change the baffle filter
After hood has been installed for a period of time, it stopped working.	1. Control board needs to be reset.	1. Turn circuit breaker which controls the hood off for at least 15 minutes. Turn it back on and this should fix the problem.
	2. Defective control board.	2. Replace control board.

Wiring Diagrams



<b>CTP-E48/54/60BSX</b>	VOLTS	HZ	MAX AMPS
	120	60	CBE1000 6.0 PBN1000A 4.8

**REMOTE BLOWER CIRCUIT DIAGRAM**



REMARKS: CONDENSER 15uF 370VAC FIT AC120V 60Hz (CBE-1000)  
CONDENSER\*2 25uF 250VAC FIT AC120V 60Hz (PBN-1000A)

## List of Parts and Accessories

DESCRIPTION	PART #
<b>Replacement Parts</b>	
6W Bloom™ HD LED Light Bulbs (each)	Z0B-0034
Baffle Filter (each)	50210022
<b>Optional Accessories</b>	
Duct Cover Extension	Z1C-00TP
Single Internal Blower	CBI-290A / CBI-600A
External Blower	CBE-1000
In-Line Blower	PBN-1000A

To order parts, please visit us online at <http://store.zephyronline.com> or call us at 1.888.880.8368



# ZEPHYR

Limited Warranty

**STAPLE YOUR RECEIPT HERE**  
**Proof of the original purchase**  
**date is needed to obtain**  
**service under warranty**

**TO OBTAIN SERVICE UNDER WARRANTY OR FOR ANY SERVICE RELATED QUESTIONS, please call:**  
**1-888-880-8368**

Zephyr Corporation (referred to herein as “we” or “us”) warrants to the original consumer purchaser (referred to herein as “you” or “your”) of Zephyr products (the “Products”) that such Products will be free from defects in materials or workmanship as follows:

**Three Year Limited Warranty for Parts:** For three years from the date of your original purchase of the Products, we will provide, free of charge, Products or parts (including LED light bulbs, if applicable) to replace those that failed due to manufacturing defects. We may choose, in our sole discretion, to repair or replace parts before we elect to replace the Products.

**One Year Limited Warranty for Labor:** For one year from the date of your original purchase of the Products, we will provide, free of charge, the labor cost associated with repairing the Products or parts to replace those that failed due to manufacturing defects. After the first year from the date of your original purchase, you are responsible for all labor costs associated with this warranty.

**Warranty Exclusions:** This warranty covers only repair or replacement, at our option, of defective Products or parts and does not cover any other costs related to the Products including but not limited to: (a) normal maintenance and service required for the Products and consumable parts such as incandescent or halogen light bulbs, metal and carbon filters and fuses; (b) any Products or parts which have been subject to freight damage, misuse, negligence, accident, faulty installation or installation contrary to recommended installation instructions, improper maintenance or repair (other than by us); (c) commercial use of the Products or use otherwise inconsistent with its intended purpose; (d) natural wear of the finish of the Products or wear caused by improper maintenance, use of corrosive and abrasive cleaning products, pads, and oven cleaner products; (e) chips, dents or cracks caused by abuse or misuse of the Products; (f) service trips to your home to teach you how to use the Products; or (g) damage to the Products caused by accident, fire, floods or act of God. If you are outside our service area, additional charges may apply for shipping costs for warranty repair at our designated service locations and for the travel cost to have a service technician come to your home to repair, remove or reinstall the Products. After the first year from the date of your original purchase, you are also responsible for all labor costs associated with this warranty.

**Limitations of Warranty. OUR OBLIGATION TO REPAIR OR REPLACE, AT OUR OPTION, SHALL BE YOUR SOLE AND EXCLUSIVE REMEDY UNDER THIS WARRANTY. WE SHALL NOT BE LIABLE FOR INCIDENTAL, CONSEQUENTIAL OR SPECIAL DAMAGES ARISING OUT OF OR IN CONNECTION WITH THE USE OR PERFORMANCE OF THE PRODUCTS. THE EXPRESS WARRANTIES IN THE PRECEDING SECTION ARE EXCLUSIVE AND IN LIEU OF ALL OTHER EXPRESS WARRANTIES. WE HEREBY DISCLAIM AND EXCLUDE ALL OTHER EXPRESS WARRANTIES FOR THE PRODUCTS, AND DISCLAIM AND EXCLUDE ALL WARRANTIES IMPLIED BY LAW, INCLUDING THOSE OF MERCHANTABILITY AND FITNESS FOR A PARTICULAR PURPOSE.** Some states or provinces do not allow limitations on the duration of an implied warranty or the exclusion or limitation of incidental or consequential damages, so the above limitations or exclusions may not apply to you. To the extent that applicable law prohibits the exclusion of implied warranties, the duration of any applicable implied warranty is limited to the same two-year period described above. Any oral or written description of the Products is for the sole purpose of identifying the Products and shall not be construed as an express warranty. Prior to using, implementing or permitting use of the Products, you shall determine the suitability of the Products for the intended use, and you shall assume all risk and liability whatsoever in connection with such determination. We reserve the right to use functionally equivalent refurbished or reconditioned parts or Products as warranty replacements or as part of warranty service. This warranty is not transferable from the original purchaser and applies in the United States and Canada.

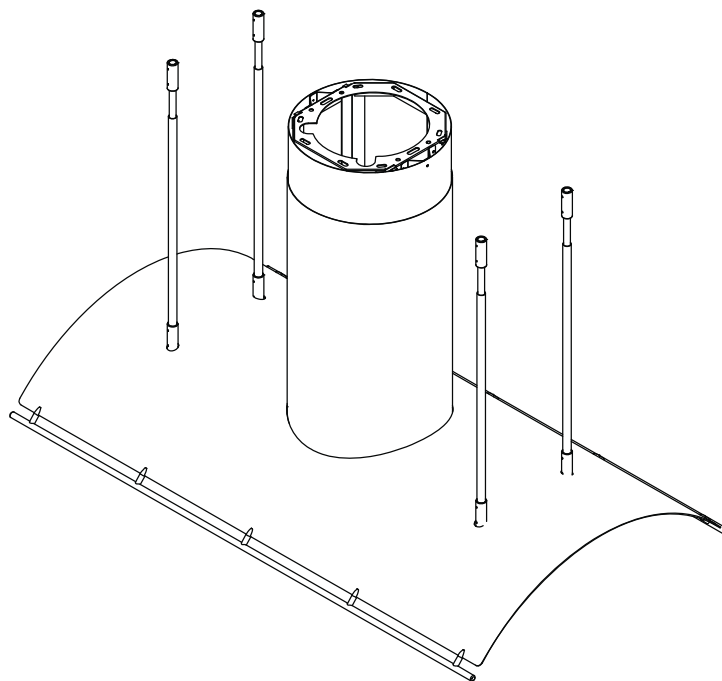
**To Obtain Service Under Limited Warranty:** To qualify for warranty service, you must: (a) notify us at the address or telephone number stated below within 60 days of the discovery of the defect; (b) give the model number and part identification number and serial number; and (c) describe the nature of any defect in the Product or part. At the time of the request for warranty service, you must present evidence of your proof of purchase and proof of the original purchase date. If we determine that the warranty exclusions listed above apply or if you fail to provide the necessary documentation to obtain service, you will be responsible for all shipping, travel, labor and other costs related to the services.

Please check our website for any revisions, [www.zephyronline.com](http://www.zephyronline.com).

**Guide d'utilisation, d'entretien et d'installation**

# Trapeze

CTP-E48BSX  
CTP-E54BSX  
CTP-E60BSX



Numéro de modèle \_\_\_\_\_

Numéro de série \_\_\_\_\_

Date d'achat \_\_\_\_\_

Détaillant \_\_\_\_\_





**MISE EN GARDE DE SÉCURITÉ** ..... 2-3

**LISTE DU MATÉRIEL** ..... 4

**INSTALLATION**

    Feuille de calcul pour le conduit ..... 5

    Espace libre et hauteur de montage ..... 6

    Options d'installation pour le conduit ..... 7

    Spécifications de la hotte ..... 8

    Préparation du ventilateur ..... 9-11

    Montage de la hotte ..... 12-14

**COMMANDES**

    Commandes à effleurement ..... 15

    Fonctions ..... 16

    Commande à distance optionnelle ..... 17

**ENTRETIEN**

    Installation et nettoyage des filtres ..... 18

**DÉPANNAGE** ..... 19

**SCHÉMA DE CÂBLAGE** ..... 20-21

**LISTES DES ACCESSOIRES ET DES PIÈCES** ..... 22

**AVERTISSEMENT**

POUR RÉDUIRE LES RISQUES D'INCENDIE OU DE DÉCHARGE ÉLECTRIQUE, N'UTILISEZ PAS CET APPAREIL AVEC UN TABLEAU DE COMMANDE À SEMI-CONDUCTEURS.

**AVERTISSEMENT**

POUR RÉDUIRE LES RISQUES D'INCENDIE, DE DÉCHARGE ÉLECTRIQUE OU DE BLESSURE, RESPECTEZ CES CONSIGNES :

- a. N'utilisez cet appareil que de la manière prévue par le fabricant. Si vous avez des questions, communiquez avec le fabricant.
- b. Avant de procéder au nettoyage ou à l'entretien de l'appareil, éteignez l'alimentation du panneau électrique et bloquez le dispositif de déconnexion pour éviter que l'alimentation électrique ne soit accidentellement rallumée. Si le dispositif de sectionnement d'électricité ne peut être bloqué, attachez un avertissement (comme une étiquette) bien en vue sur le tableau électrique.

**ATTENTION**

Pour ventilation générale seulement. N'utilisez pas cet appareil pour évacuer des vapeurs et des matériaux explosifs ou dangereux. Prenez garde lors de l'utilisation d'agents nettoyants ou de détergents. Ne devrait être utilisé que dans la cuisine de votre maison.

**AVERTISSEMENT**

POUR RÉDUIRE LES RISQUES DE FEU DE GRAISSE SUR LA SURFACE DE CUISSON :

- a. Ne laissez jamais l'appareil sans surveillance lors de son utilisation à haute température. Les débordements par bouillonnement causent de la fumée et des déversements de graisse qui peuvent prendre feu. Faites chauffer l'huile à des températures basses ou moyennes.
- b. Allumez toujours la hotte lorsque vous cuisinez à haute température ou que vous faites flamber des aliments.
- c. Nettoyez fréquemment les ventilateurs de la hotte. La graisse ne devrait jamais s'accumuler dans les ventilateurs ou les filtres.
- d. Utilisez des poêlons aux dimensions adéquates. Utilisez toujours une batterie de cuisine correspondant aux dimensions de l'élément.
- e. Assurez-vous que le ventilateur, les filtres et les surfaces où la graisse pourrait s'accumuler sont toujours propres.
- f. Utilisez le réglage haut de la hotte seulement lorsque nécessaire.
- g. Ne laissez pas la hotte sans surveillance lorsque vous cuisinez.
- h. Utilisez toujours une batterie de cuisine et des ustensiles convenant au type et à la quantité de nourriture que vous préparez.

**AVERTISSEMENT**

POUR RÉDUIRE LES RISQUES DE BLESSURE LORS D'UN INCENDIE SUR LA SURFACE DE CUISSON :

- a. ÉTOUFFEZ LES FLAMMES avec un couvercle, une plaque à biscuits ou un plateau de métal et éteignez ensuite le brûleur. PRENEZ GARDE AUX RISQUES DE BRÛLURE. Si les flammes ne disparaissent pas, ÉVACUEZ LES LIEUX ET APPELEZ LE SERVICE D'INCENDIE.
- b. NE PRENEZ JAMAIS UN POÊLON EN FEU – vous pourriez vous brûler.
- c. N'UTILISEZ PAS D'EAU, ou un linge à vaisselle mouillé – une violente explosion de vapeur s'ensuivra.
- d. Utilisez un extincteur SEULEMENT si :
  1. Vous savez que vous possédez un extincteur de classe ABC et vous savez vous en servir.
  2. Le feu est faible et ne s'est pas répandu depuis son point d'origine.
  3. Vous avez appelé le service d'incendie.
  4. Vous pouvez sortir facilement de l'endroit où vous combattez le feu.

**AVERTISSEMENT**

POUR RÉDUIRE LES RISQUES D'INCENDIE, DE DÉCHARGE ÉLECTRIQUE OU DE BLESSURE, SUIVEZ LES CONSIGNES SUIVANTES :

- a. Les travaux d'installation et de câblage électrique doivent être faits par une personne qualifiée selon les stipulations de tous les normes et standards en vigueur, dont les normes des constructions ayant une cote de résistance au feu.
- b. Pour prévenir les contre-explosions, une certaine quantité d'air est nécessaire pour la combustion et l'évacuation des gaz par le carneau (cheminée) de l'appareil de combustion. Respectez les directives du fabricant d'outillage de chauffage et les normes de sécurité comme celles publiées par la NFPA (Association nationale des services d'incendie), par la Société américaine des ingénieurs en chauffage, réfrigération et climatisation (ASHRAE) et par les normes des autorités locales.
- c. Lorsque vous coupez un mur ou un plafond, assurez-vous de ne pas endommager le câblage électrique ou toute autre installation technique dissimulée.
- d. Les ventilateurs canalisés doivent toujours évacuer l'air à l'extérieur.
- e. Si vous installez cet appareil au-dessus d'un bain ou d'une douche, il doit être approprié pour ce type d'utilisation et être branché à un circuit de dérivation protégé avec un disjoncteur de fuite de terre.
- f. N'installez JAMAIS un interrupteur à une distance atteignable depuis un bain ou une douche.
- g. Assurez-vous que l'alimentation électrique est éteinte avant de procéder à l'installation, au câblage ou à l'entretien de l'appareil.

### ATTENTION

POUR RÉDUIRE LES RISQUES D'INCENDIE, N'UTILISEZ QUE DES CONDUITS D'AÉRATION EN MÉTAL.  
CETTE HOTTE N'EST PAS CONÇUE POUR UNE UTILISATION AVEC UN GRIL EXTÉRIEUR

### ATTENTION

To reduce risk of fire and to properly exhaust air outside - Do not vent exhaust air into spaces within walls, ceilings, attics, crawl spaces or garages.

### OPERATION

Pour réduire les risques d'incendie et pour évacuer l'air convenablement, assurez-vous de canaliser l'air à l'extérieur de la maison. N'installez pas l'échappement du conduit dans les espaces entre les murs, le plafond, le grenier, les vides sanitaires ou le garage.

### FONCTIONNEMENT

Laissez toujours les grilles de sûreté et les filtres en place. Sans ces éléments, les ventilateurs en marche pourraient accrocher des cheveux, des doigts ou des vêtements amples.

Le fabricant se dégage de toute responsabilité dans les cas de non-respect des instructions transmises dans le présent manuel pour l'installation, l'entretien et l'utilisation adéquate du produit. Le fabricant se dégage également de toute responsabilité pour des blessures qui résulteraient de la négligence lors de l'utilisation. De plus, la garantie prend fin automatiquement lors de l'entretien inapproprié de l'appareil.

**\*NOTE : Veuillez communiquer avec nous ou visitez le [www.zephyronline.com](http://www.zephyronline.com) pour obtenir des révisions avant de procéder à des travaux sur commande.**

### EXIGENCES ÉLECTRIQUES

#### Important:

Respectez tous les codes et règlements en vigueur.

Il est de la responsabilité du client de :

- Communiquer avec un installateur-électricien qualifié.
- S'assurer que l'installation électrique est adéquate et qu'elle respecte le Code national de l'électricité, la plus récente édition\* du ANSI/NFPA 70 ou des normes du CSA C22.1-94, le Code canadien de l'électricité, section 1, la plus récente édition\*\* du code C22.2 No.0-M91 ainsi que tous les codes et règlements en vigueur.

Si les codes permettent l'utilisation d'un fil de garde isolé et que vous en utilisez un, il est recommandé qu'un électricien qualifié détermine si le cheminement du fil est adéquat.

N'effectuez pas la mise à la terre à un tuyau de gaz.

Demandez à un électricien qualifié si vous n'êtes pas certain que la hotte a été mise à la terre adéquatement.

N'introduisez aucun fusible dans le circuit neutre ou de mise à la terre.

\*National Fire Protection Association Batterymarch Park, Quincy, Massachusetts 02269

\*\* CSA International 8501 East Pleasant Valley Road, Cleveland, Ohio 44131-5575

Cet appareil requiert une alimentation électrique de 120V 60 Hz. Il doit être connecté à un circuit terminal individuel dûment mis à la terre, protégé par un disjoncteur de circuit ou un fusible temporisé de 15 ou 20 ampères. Le câblage doit compter 2 fils avec mise à la terre. Veuillez vous référer au Diagramme électrique étiqueté sur l'appareil.

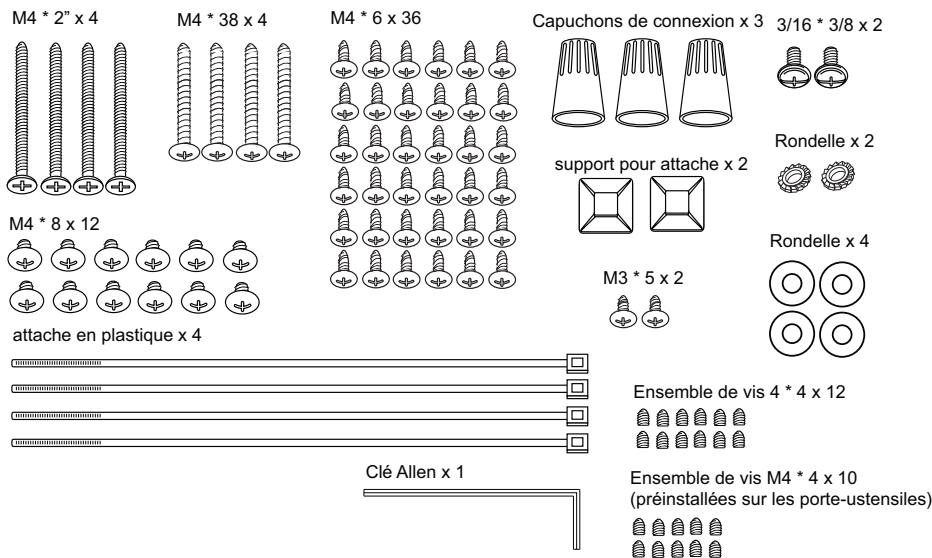
Un raccord de câble (non inclus) pourrait également être exigé par les normes et réglementations locales. Informez-vous des exigences et des normes locales. Achetez et installez le connecteur approprié si nécessaire.

Liste du matériel

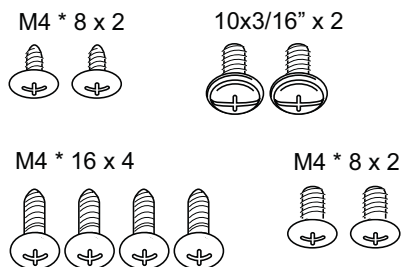
**MODÈLES:** CTP-E48BSX, CTP-E54BSX, CTP-E60BSX

- 1 - Hotte
- 2 - Filtres défecteurs
- 4 - Ampoules DEL HD de 6W Zephyr Bloom<sup>md</sup>
- 2 - Pièces de recouvrement de conduit télescopiques
- 4 - Tiges de support télescopiques
- 4 - Coupleurs de tige de support télescopique
- 1 - Support de plafond pour recouvrement de conduit
- 2 - Porte-ustensiles
- 4 - Supports à angle (courts)
- 4 - Supports à angle (longs)
- 1 - Collier de départ circulaire de 8"
- 1 - Boîte de raccordement c.a.
- 1 - Boîte de raccordement et faisceau de câbles de ventilateur à distance
- 1 - Boîtier du moteur avec bride intérieure
- 1 - Bride du boîtier du ventilateur à distance
- 1 - Trousse de quincaillerie

**CONTENU DE LA TROUSSE DE QUINCAILLERIE**

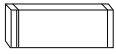
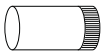

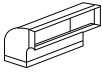
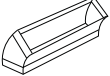
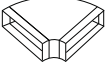


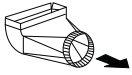




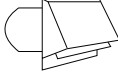

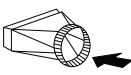
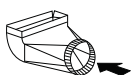
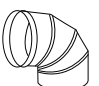

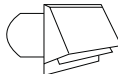
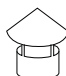
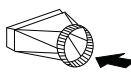
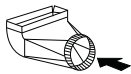
**Contenu de la trousse de quincaillerie du ventilateur interne**



**PIÈCES NON FOURNIES**

- Conduit d'aération et tous les outils d'installation
- Raccord de câble (si exigé par les codes en vigueur)
- Trousses des ventilateurs internes (CBI-290A / CBI-600A)
- Trousse du ventilateur à distance (CBE-1000)
- Trousse du ventilateur de conduit (PBN-1000A)
- Pièces de prolongement du recouvrement de conduit

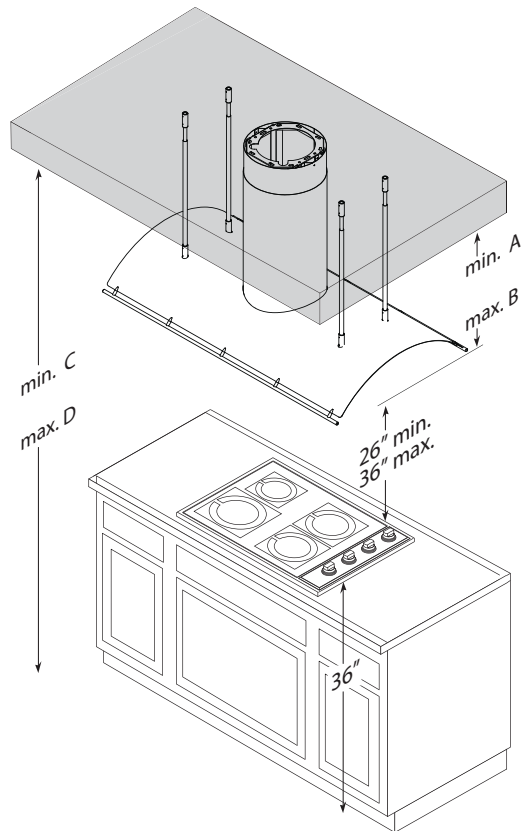
Pièces de conduit		Longueur x Nombre utilisé	Total
	3-1/4" x 10" rect., droit	1 pi x ( ) =	pi
	6" circ., droit	1 pi x ( ) =	pi
	7" circ., droit	1 pi x ( ) =	pi
	3-1/4" x 10" rect., coude à 90°	15 pi x ( ) =	pi
	3-1/4" x 10" rect., coude à 45°	9 pi x ( ) =	pi
	3-1/4" x 10" rect., coude plat à 90°	24 pi x ( ) =	pi
	3-1/4" x 10" embout mural rect./registre	30 pi x ( ) =	pi
	3-1/4" x 10" rect. à circ. de 6"	5 pi x ( ) =	pi
	3-1/4" x 10" coude à 90° rect. à circ. de 6"	20 pi x ( ) =	pi
	6" circ., coude à 90°	15 pi x ( ) =	pi
	6" circ., coude à 45°	9 pi x ( ) =	pi
Sous-total - colonne 1 =			pi

Pièces de conduit		Longueur x Nombre utilisé	Total
	6" embout mural circ./registre	30 pi x ( ) =	pi
	6" chapeau de toiture circ.	30 pi x ( ) =	pi
	6" circ. à rect. de 3-1/4" x 10"	1 pi x ( ) =	pi
	6" circ. à rect. de 3-1/4" x 10", coude à 90°	16 pi x ( ) =	pi
	7" or 10" circ., coude à 90°	15 pi x ( ) =	pi
	7" or 10" circ., coude à 45°	9 pi x ( ) =	pi
	7" or 10" embout mural circ./registre	30 pi x ( ) =	pi
	7" or 10" circ., chapeau de toiture	30 pi x ( ) =	pi
	7" circ. à rect. de 3-1/4" x 10"	8 pi x ( ) =	pi
	7" circ. à rect. de 3-1/4" x 10", coude à 90°	23 pi x ( ) =	pi
Sous-total - colonne 2 =			pi
Sous-total - colonne 1 =			pi
Total du conduit =			pi

**Longueur maximale du conduit d'aération:** Pour un mouvement d'air convenable, la longueur totale d'un conduit d'aération rectangulaire de 3¼" x 10", ou circulaire de 6", 7" ou 8" de diamètre, ne devrait pas compter plus que l'équivalent de 100 pieds.



# Installation – Espace libre et hauteur de montage



Hauteur de la hotte	Recouvrement de conduit standard	Prolongement de recouvrement de conduit
minimum (A)	34"	47"
maximum (B)	51 1/2"	72"
<b>Hauteur de plafond</b>		
minimum (C)	96" (8')	109" (9' 1")
maximum (D)	123 1/2" (10' 3 1/2")	144" (12')

## CONDUIT D'AÉRATION

Un conduit circulaire d'au moins 6" doit être utilisé pour assurer la meilleure circulation d'air possible avec les ventilateurs internes de 290/600 pi<sup>3</sup>/m. Un conduit circulaire de 8" à 10" doit être utilisé avec les ventilateurs à distance de 1000 pi<sup>3</sup>/m.

N'utilisez que des conduits en métal rigide. Les conduits souples pourraient réduire la circulation d'air jusqu'à 50 %.

Utilisez la feuille de calcul pour obtenir la longueur totale du conduit (page 5) lorsque vous utilisez des coudes, des pièces de changements de direction et des bouches d'aération.

Lorsqu'il est possible de le faire, diminuez TOUJOURS le nombre de pièces et de changements de direction. Si un long tronçon de conduit est nécessaire, augmentez le diamètre du conduit. Si vous utilisez un raccord réducteur, installez un long raccord, et non un réducteur à diaphragme. Réduisez la taille du conduit le plus loin possible des ouvertures.

Si des changements de direction ou des adaptateurs sont nécessaires, installez-les le plus loin possible de l'ouverture et le plus éloigné possible – séparés par au moins une pièce standard – l'un de l'autre.

La hauteur de montage minimale ne devrait pas être moins de 26".

La hauteur de montage maximale ne devrait pas dépasser 36".

Il est important d'installer la hotte à la hauteur de montage adéquate. Les hottes installées trop basses pourraient être endommagées par la chaleur en plus de présenter des risques d'incendie plus élevés tandis que les hottes installées trop hautes seront difficiles à atteindre et verront leur efficacité et leur rendement réduits.

Si elles sont disponibles, consultez les exigences de hauteur d'espace libre requise par le fabricant de la cuisinière ainsi que la hauteur recommandée de montage de la hotte au-dessus de la surface de cuisson.

### Conduit vertical:

Circulaire d'au moins 6" (ventilateur interne)  
 Circulaire d'au moins 8" à 10" (ventilateur à distance)

### Conduit horizontal:

S/O

### ENDOMMAGEMENT LORS DE LA LIVRAISON/INSTALLATION:

- Veuillez vous assurer qu'aucune des pièces de l'appareil n'est endommagée avant l'installation.
- Si l'appareil est endommagé durant la livraison, retournez l'appareil à l'endroit où vous l'avez acheté pour réparation ou remplacement.
- Si l'appareil est endommagé par le client, la réparation ou le remplacement est à la charge du client
- Si l'appareil est endommagé par l'installateur (si autre que le client), le client et l'installateur doivent en venir à une entente pour la réparation ou le remplacement.

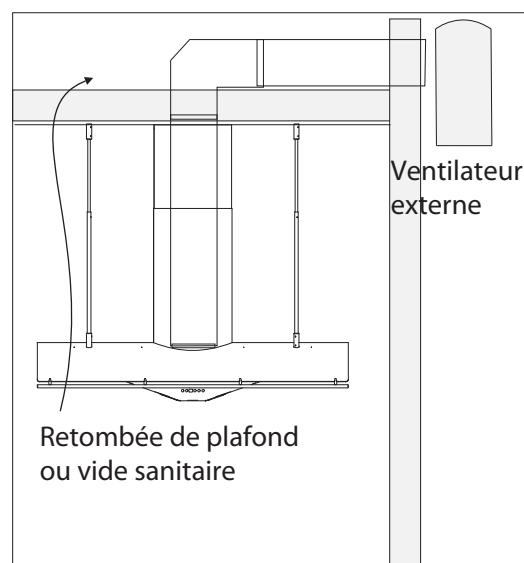
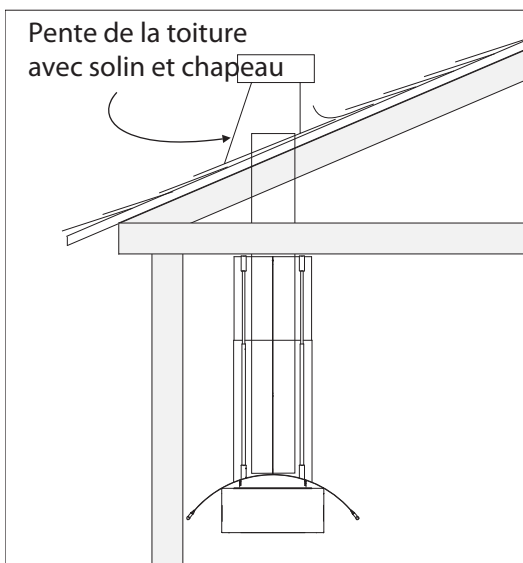
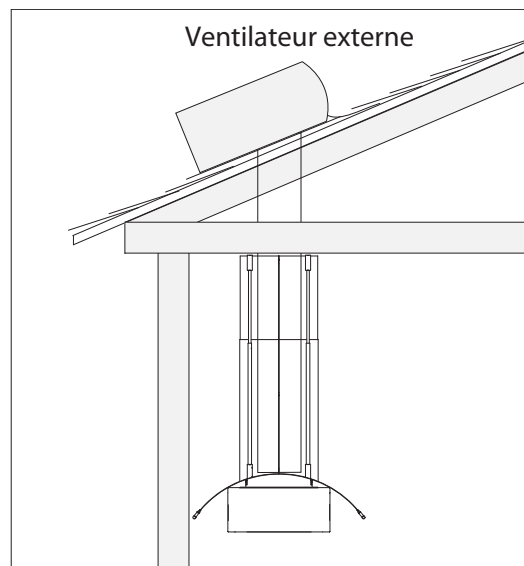
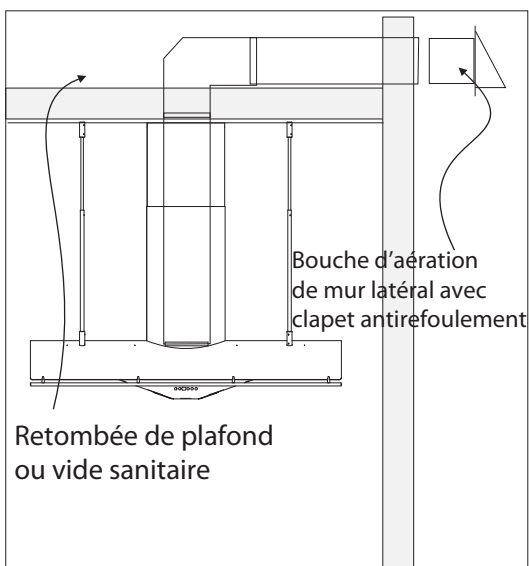
## AVERTISSEMENT DE RISQUE D'INCENDIE

N'évacuez ou ne terminez JAMAIS l'échappement du conduit dans les espaces entre les murs, les vides sanitaires, le plafond, le grenier, ou le garage. Tous les échappements doivent être dirigés à l'extérieur de la maison, à moins que l'option de reprise d'air ne soit utilisée.

N'utilisez que des conduits en métal.

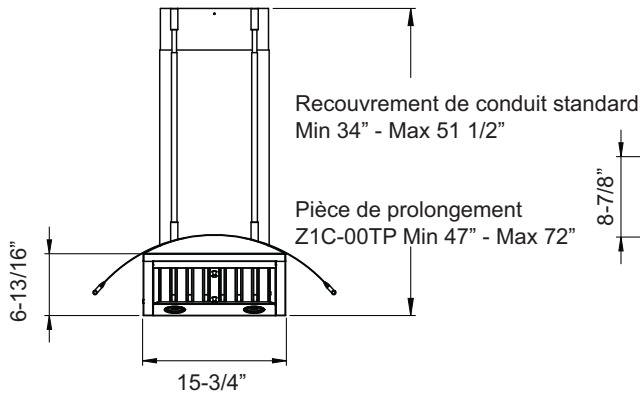
Fixez toutes les pièces du conduit avec des vis à tôle et isolez tous les joints avec du ruban adhésif en toile ou du ruban réflecteur certifié.

### Quelques options pour le conduit d'aération

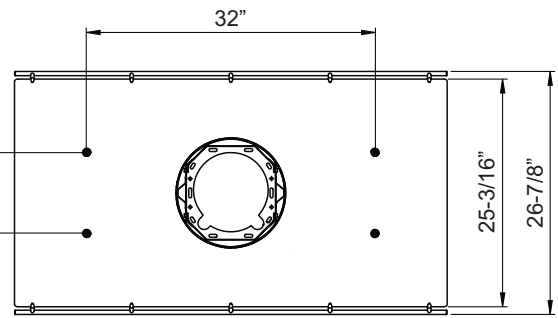


**Installation – Spécifications de la hotte**

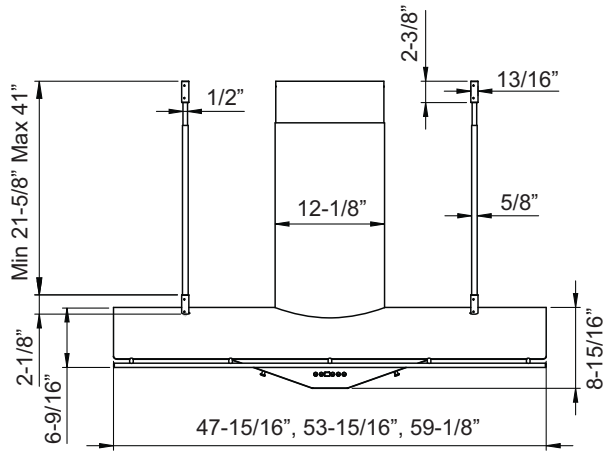
Vue de côté



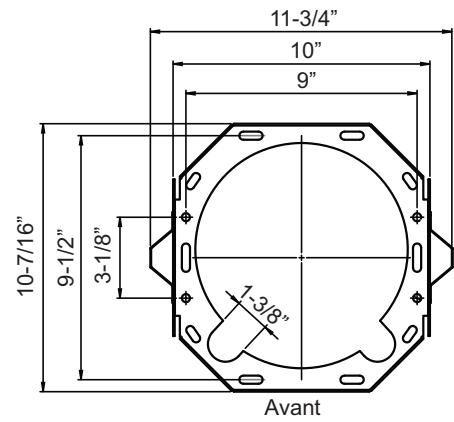
Vue de haut



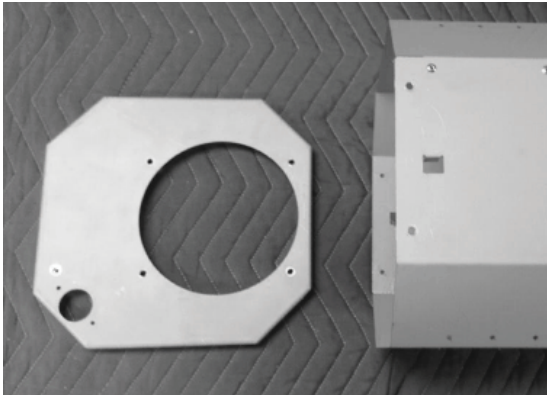
Vue de face



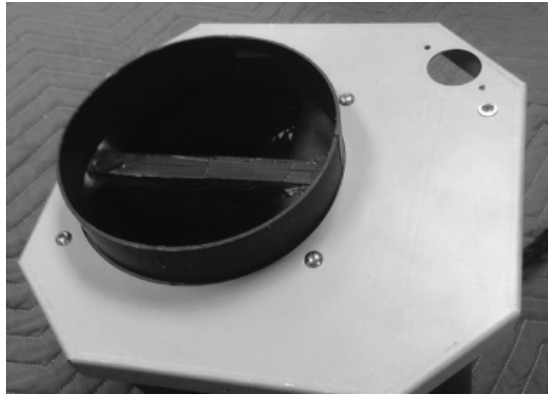
Support de plafond



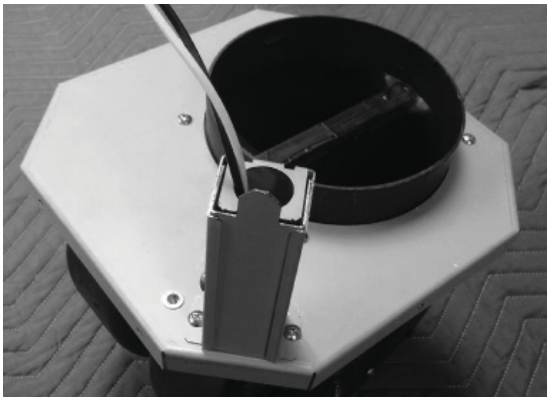
## PRÉPARATION DU VENTILATEUR INTERNE



1. Retirez du boîtier du moteur la bride du ventilateur interne, fixée en place à l'aide de 6 vis.



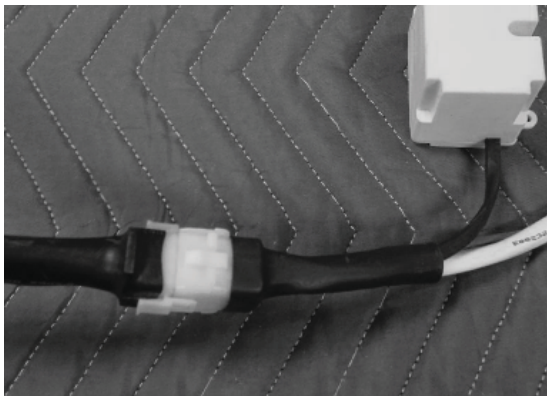
2. Fixez le ventilateur interne à la bride du ventilateur interne à l'aide de quatre vis M4\*16 (de la trousse de quincaillerie du ventilateur interne).



3. Fixez la boîte de raccordement c.a. à la bride du ventilateur interne avec deux vis M4\*8.



4. Fixez le fil de mise à la terre à la partie intérieure de la bride avec une vis 3/16\*3/8 screw et une rondelle.



5. Branchez le connecteur Molex à neuf broches du condensateur au connecteur Molex à neuf broches du ventilateur interne.



6. Fixez la bride du ventilateur interne au boîtier du moteur avec les six vis que vous avez enlevées à l'étape 1.

Installation – Préparation du ventilateur

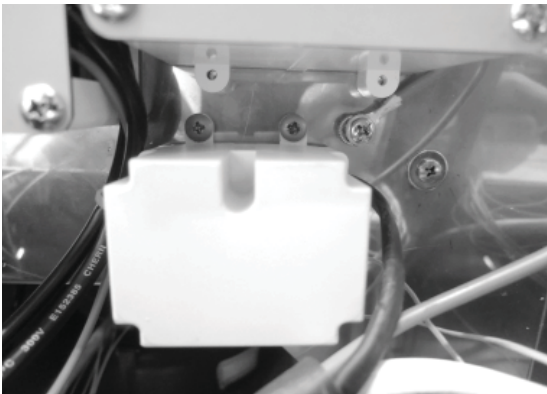
### PRÉPARATION DU VENTILATEUR INTERNE (SUITE)



7. Fixez le boîtier du moteur à la hotte avec douze vis M4\*6.

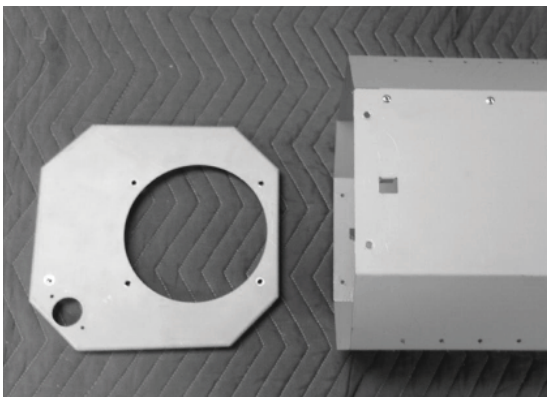


8. Branchez le connecteur Molex à six broches du câble du condensateur au connecteur Molex à six broches de la boîte de commande. Branchez la fiche à deux broches du câble c.a. dans la prise de la boîte de commande. Fixez les câbles à l'intérieur de la hotte avec les attaches en plastique et les porte-attaches.

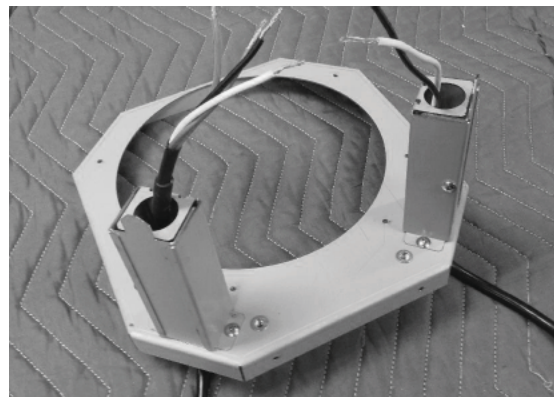


9. Fixez le condensateur à l'intérieur de la hotte avec deux vis M4\*8 et le fil de mise à la terre avec une vis 3/16\*3/8.

### PRÉPARATION DU VENTILATEUR À DISTANCE

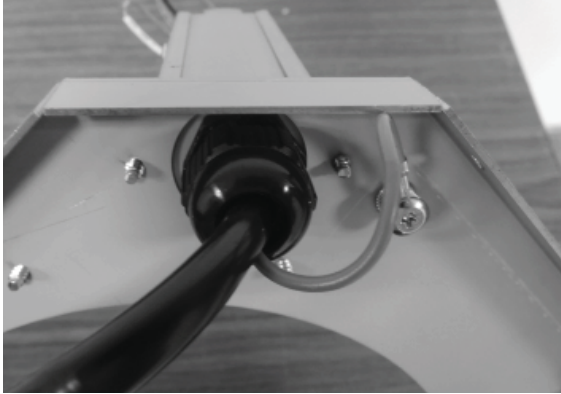


1. Retirez du boîtier du moteur la bride du ventilateur à distance, fixée en place à l'aide de six vis.



2. Fixez la boîte électrique c.a. et la boîte de raccordement du ventilateur à la bride du ventilateur à l'aide de deux vis M4\*8 chacune.

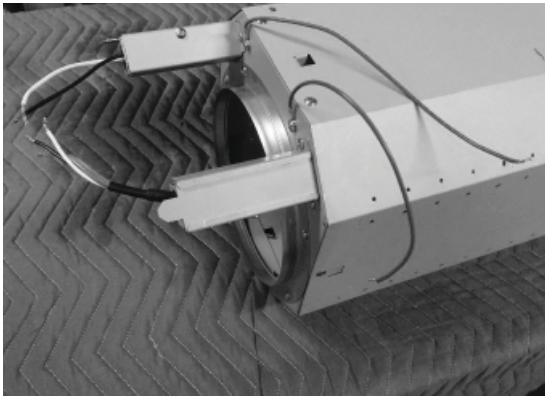
## PRÉPARATION DU VENTILATEUR À DISTANCE (SUITE)



3. Fixez le fil de mise à la terre c.a. et le fil de mise à la terre du ventilateur à distance à la partie intérieure de la bride du ventilateur à distance avec une vis 3/16\*3/8 screw et une rondelle chacune.



4. Fixez le collier circulaire de départ de 8" du ventilateur à distance à la bride du ventilateur à distance avec huit vis M4\*8.



5. Fixez la bride du ventilateur à distance au boîtier du moteur à l'aide des six vis que vous avez enlevées à l'étape 1.



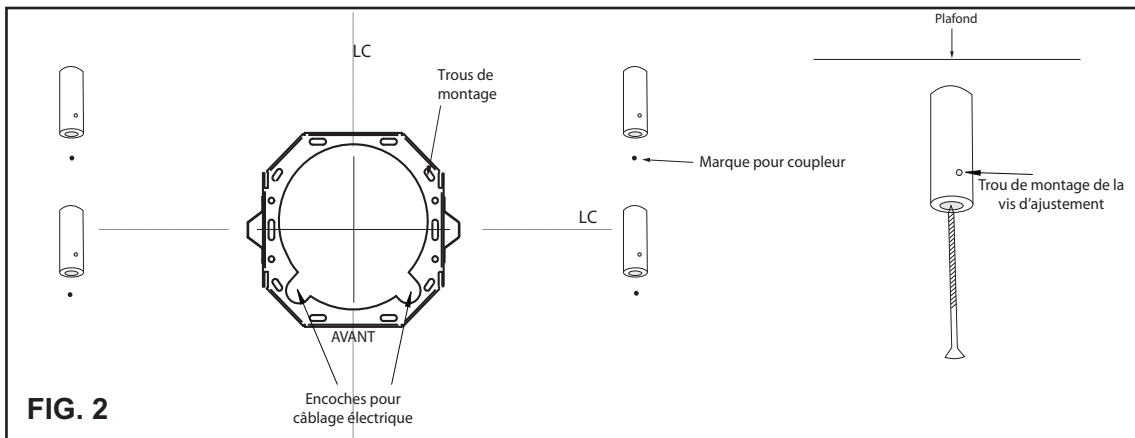
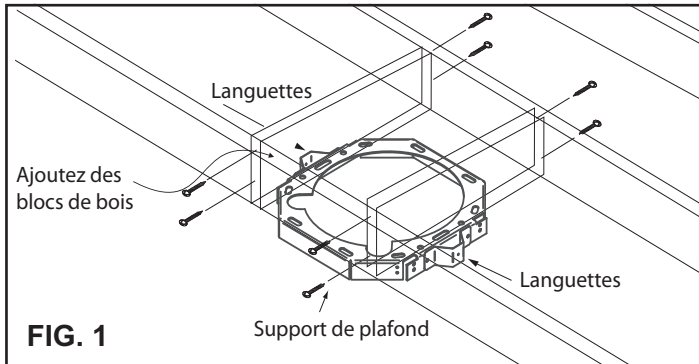
6. Fixez le boîtier du moteur à la hotte à l'aide de 12 vis M4\*6.



7. Branchez le connecteur Molex à six broches de la boîte de raccordement du ventilateur à distance au connecteur Molex à six broches de la boîte de commande. Branchez la fiche à deux broches du câble c.a. dans la prise de la boîte de commande. Fixez les câbles à l'intérieur de la hotte avec les attaches en plastique et les porte-attaches.

**NOTE:** Pour les instructions d'installation du ventilateur à distance, consultez le manuel se trouvant dans l'emballage du ventilateur à distance CBE-1000 ou PBN-1000A ou consultez notre site Web : [www.zephyronline.com](http://www.zephyronline.com).

# Installation – Montage de la hotte



1. Déterminez le lieu d'installation de la hotte. Tracez des lignes centrales de l'avant à l'arrière et de gauche à droit de l'endroit où vous installerez la hotte. Placez le gabarit en papier fourni sur le plafond et enlignez les lignes centrales du plafond avec les lignes centrales du gabarit. Marquez les trous de montage pour le support de plafond et les coupleurs des tiges télescopiques.
2. Faites le trou dans le plafond pour le conduit et le câblage électrique.
3. Ajoutez des blocs de bois de renforcement (minimum 2 x 4) entre les solives du plafond pour le support de plafond et les coupleurs des tiges télescopiques s'il le faut. FIG. 1.
4. Centrez, marquez et fixez le support de plafond au plafond à l'aide de quatre vis M4\*38 et quatre rondelles. Assurez-vous que le mot « FRONT » du support est vis-à-vis de la partie avant de la hotte où se trouveront les commandes. FIG. 2.
5. Fixez tous les coupleurs des tiges télescopiques aux endroits marqués sur le plafond à l'aide de quatre vis à bois M4\*2". Assurez-vous que le trou de montage de la vis d'ajustement est vers le bas pendant le montage des coupleurs. FIG. 2.
6. Préparez et passez le câblage électrique et le conduit à travers le support de plafond.

## AVERTISSEMENT CONCERNANT L'ÉLECTRICITÉ

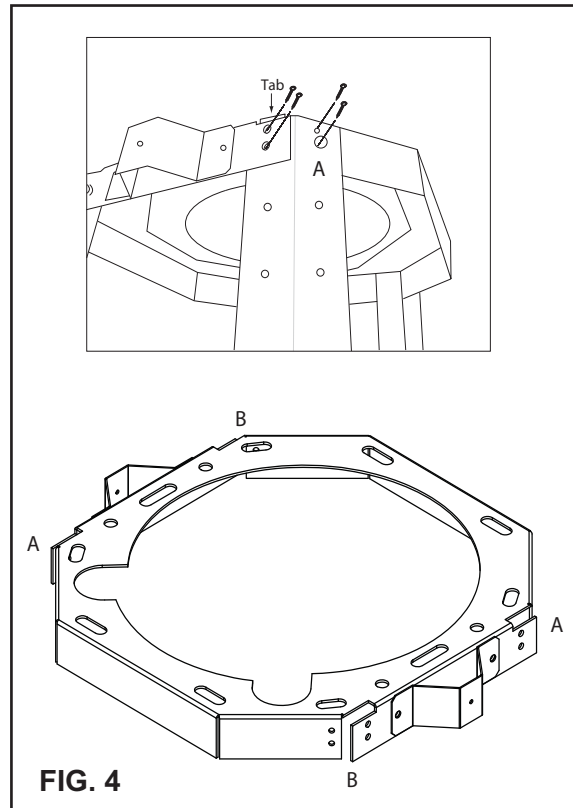
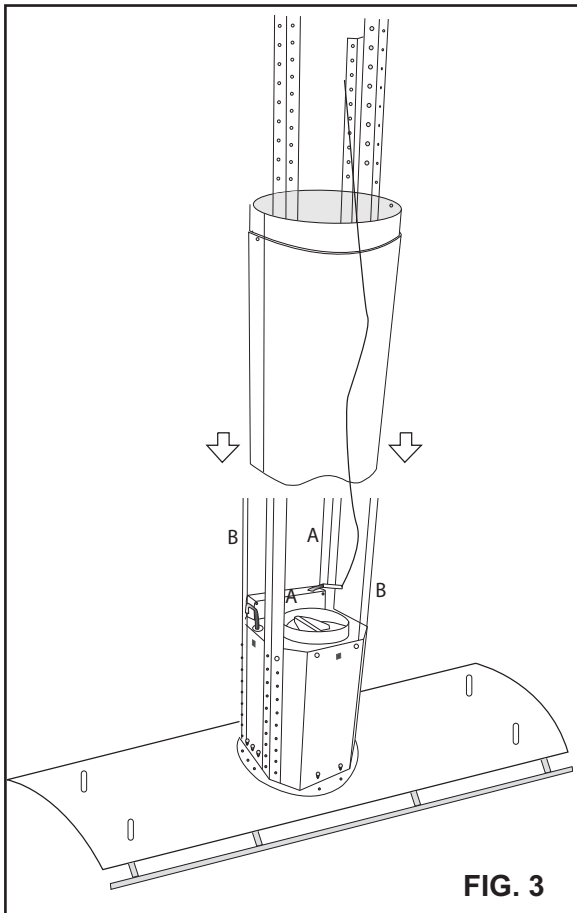
**Tous les travaux électriques doivent être réalisés par un électricien qualifié ou par une personne possédant l'expérience technique et le savoir-faire nécessaire.**

Pour votre sécurité, enlevez le fusible ou ouvrez le disjoncteur de circuit avant de commencer l'installation. N'utilisez pas de cordon prolongateur ou de fiche d'adaptation avec cet appareil.

**Suivez les codes et réglementations nationaux ou locaux en vigueur.**

**Alimentation électrique :** Cet appareil requiert une alimentation électrique de 120V 60 Hz. Il doit être connecté à un circuit terminal individuel dûment mis à la terre, protégé par un disjoncteur de circuit ou un fusible temporisé de 15 ou 20 ampères. Le câblage doit compter 2 fils avec mise à la terre. Veuillez consulter le diagramme électrique apposé sur l'appareil.

**Raccord de câble :** Un raccord de câble (non inclus) pourrait également être exigé par les normes et les réglementations locales. Informez-vous des exigences et des normes locales. Achetez et installez le connecteur approprié si nécessaire.



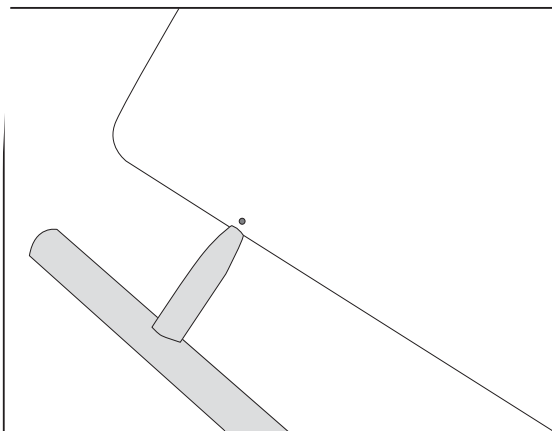
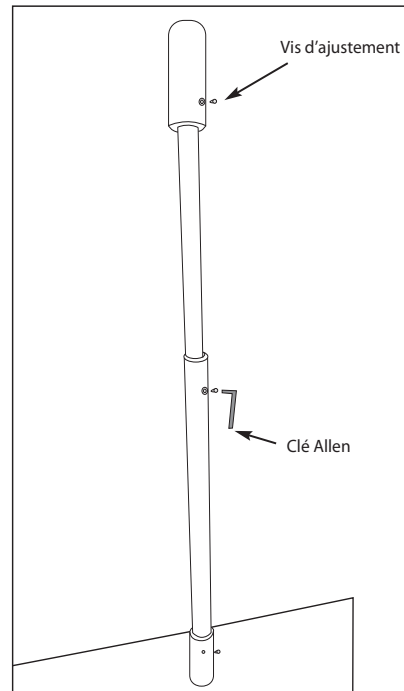
7. Déterminez la hauteur d'installation désirée de la hotte, puis mesurez et choisissez les supports à angle de 27-3/8" ou de 35-3/8". Placez et fixez les supports à angle de type A et B au boîtier du moteur (comme illustré) à l'aide de huit vis M4\*6, deux pour chaque support. FIG. 3.
8. Faites glisser les pièces de recouvrement de conduit par-dessus le boîtier du moteur. Assurez-vous que la pièce de recouvrement de conduit avec l'ouverture est vis-à-vis de l'avant et l'arrière de la hotte. FIG. 3.
9. Soulevez l'appareil assemblé et fixez les quatre supports à angle au support de plafond. Assurez-vous que les languettes des supports à angle entrent bien dans les fentes du support de plafond. La moitié du support à angle devrait se trouver à l'extérieur du support de plafond et l'autre moitié à l'intérieur. Fixez les supports à angle au support de plafond à l'aide de seize vis M4\*6, quatre pour chaque support à angle. FIG. 4.
10. Raccordez le conduit et branchez les câbles électriques.
11. Faites glisser la pièce de recouvrement supérieure vers le haut et fixez-la au support de plafond à l'aide de deux vis M3\*5.



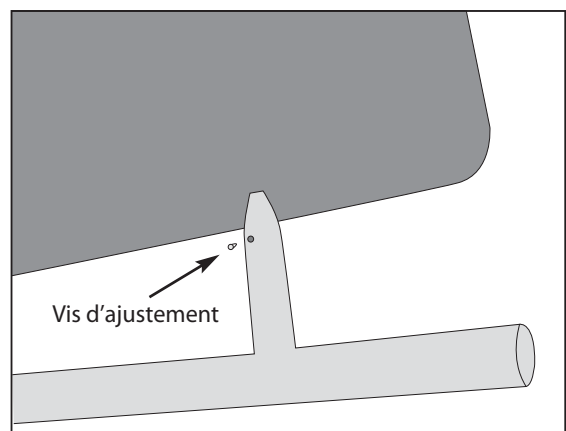
# Installation – Montage de la hotte

## Installation des tiges télescopiques

1. Installez les tiges télescopiques dans les coupleurs du dessus de la hotte et fixez-les en place avec une vis M4\*4.
2. Déployez la tige télescopique intérieure jusqu'aux coupleurs du plafond et fixez chaque tige avec une vis d'ajustement M4\*4.
3. Fixez chacune des tiges télescopiques extérieures en place avec une vis d'ajustement M4\*4.



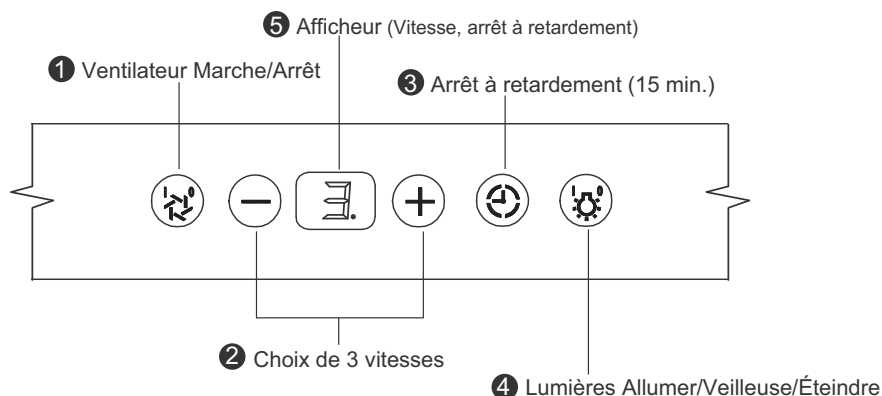
AVANT



ARRIÈRE

## Installation des porte-ustensiles

1. Fixez le porte-ustensiles à la partie la plus longue du pavillon de la hotte. Un petit trou a été percé dans le pavillon comme point de départ pour fixer la première tige du porte-ustensiles. Une fois que la première tige est alignée avec le trou, faites doucement glisser le reste du porte-ustensiles dans le pavillon. Soyez prudent et faites attention de ne pas égratigner l'acier inoxydable du pavillon.
2. Fixez le porte-ustensiles au pavillon de la hotte avec les vis d'ajustement préinstallées de chaque tige. Répétez cette opération de l'autre côté du pavillon.



### 1 Ventilateur : Marche/Arrêt

Appuyez sur pour allumer ou éteindre le ventilateur. Lorsque vous mettez l'appareil en marche, le ventilateur et les lumières s'allument aux mêmes réglages que lorsque vous l'avez éteint. Lorsque vous éteignez l'appareil, toutes les fonctions s'éteignent, y compris les DEL et la veilleuse.

### 2 Choix de vitesse

Choisissez l'une des 3 vitesses en appuyant sur pour diminuer la vitesse et sur pour l'augmenter. L'afficheur indique la vitesse choisie.

### 3 Arrêt à retardement

Cette fonction sert à programmer l'arrêt automatique du ventilateur et des lumières 15 minutes après son activation. Appuyez sur une fois et un point apparaît dans le coin inférieur droit de l'écran , indiquant que la fonction est activée. La hotte passe à la vitesse 1 s'éteint après 5 minutes.

### 4 Lumières Allumer/Veilleuse/Éteindre

Appuyez une fois sur pour allumer les lumières, une deuxième fois pour les mettre en veilleuse et une troisième fois pour les éteindre.

### 5 Afficheur

L'écran de l'afficheur indique la vitesse de ventilateur, le statut de la fonction d'arrêt automatique et le rappel de nettoyage ou de remplacement des filtres.

#### Indicateur de nettoyage des filtres déflecteurs

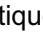
Après 30 heures d'utilisation, l'afficheur commence à clignoter pour vous rappeler de nettoyer les filtres déflecteurs pour en enlever les résidus et éviter qu'ils s'encrassent.

#### Fonction de purification d'air


Cette fonction fait en sorte que le ventilateur s'allume toutes les quatre heures pendant 10 minutes pour évacuer l'air stagnant de la cuisine. Cette fonction est désactivée par défaut et l'utilisateur doit l'activer.

Les filtres déflecteurs standards doivent être nettoyés fréquemment et selon les recommandations pour que le ventilateur demeure aussi efficace. S'ils ne sont pas entretenus convenablement, des résidus de cuisson s'accumuleront dans les filtres et endommageront les ventilateurs de la hotte et d'autres pièces fragiles en plus d'encrasser le conduit, ce qui suppose un certain risque d'incendie.

**Indicateur de nettoyage des filtres défecteurs**

Un ensemble de filtres défecteurs est installé par le fabricant, que vous installiez votre hotte avec le mode d'évacuation ou de purification d'air. Ces filtres défecteurs ont pour fonction de filtrer les résidus de cuisson. Ils ne nécessitent aucun remplacement sur une base régulière, mais ils doivent être gardés propres. La fonction de rappel de nettoyage des filtres du microprocesseur indique automatiquement, à l'aide de l'icône clignotante , quand les filtres doivent être nettoyés (toutes les 30 heures d'utilisation). Les filtres peuvent être nettoyés à la main, avec du détergent non abrasif, ou au lave-vaisselle. Pour les filtres très sales, il est recommandé de les faire tremper dans un détergent pour graisse avant de procéder au nettoyage normal.



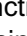
**Indicateur de nettoyage des filtres défecteurs**

Lorsque l'icône  se met à clignoter sur l'afficheur, les filtres défecteurs doivent être nettoyés, car 30 heures d'utilisation se sont écoulées.

**Nettoyage des filtres**

L'icône &lt;F&gt; clignote


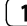
**Réinitialisation de la fonction**

Une fois que les filtres ont été nettoyés et réinstallés, réinitialisez l'indicateur de nettoyage des filtres (avec la hotte hors tension). Lorsque la hotte est éteinte, appuyez environ 5 secondes sur la touche  jusqu'à ce que l'icône  disparaisse . La fonction de rappel de nettoyage des filtres est maintenant réinitialisée et un nouveau cycle de 30 heures commence.




**Pour réinitialiser**

Appuyez 5 secondes Afficheur passe de &lt;F&gt; à &lt;&gt;

**Fonction de purification d'air**

Cette fonction fait en sorte que le ventilateur s'allume toutes les quatre heures pendant 10 minutes pour évacuer l'air stagnant de la cuisine. Cette fonction est désactivée par défaut et l'utilisateur doit l'activer. Lorsqu'elle est activée, le ventilateur s'allume à la vitesse 1 et l'afficheur clignote, passant de  à , jusqu'à ce que le cycle de 10 minutes prenne fin et que le ventilateur s'éteigne.




**Pour activer la fonction**

Lorsque la hotte est éteinte, appuyez sur  pendant environ 5 secondes, jusqu'à ce que les symboles , puis  apparaissent à l'écran.

**Pour activer la fonction**

Appuyez 5 secondes L'afficheur passe de &lt;-&gt; à &lt;A&gt;

**Pour désactiver la fonction**

Lorsque la hotte est éteinte, appuyez sur  pendant environ 5 secondes, jusqu'à ce que les symboles , puis  apparaissent à l'écran.

**Pour désactiver la fonction**

Appuyez 5 secondes L'afficheur passe de &lt;A&gt; à &lt;-&gt;

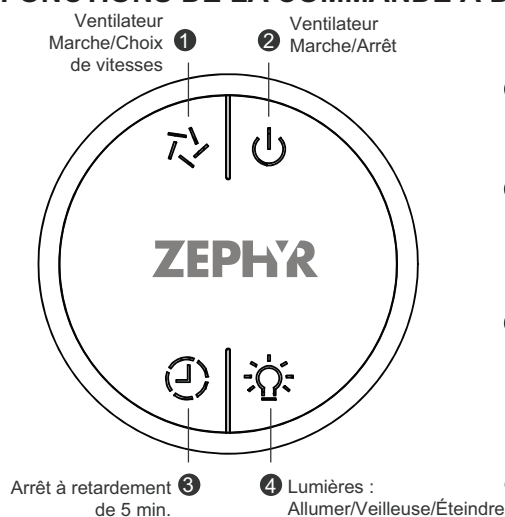


**Mise en garde de la Commission fédérale des communications:** Dans le but d'assurer une conformité continue, toute modification apportée sans l'approbation expresse du parti responsable de la conformité pourrait annuler l'autorisation de l'utilisateur de faire fonctionner cet appareil. (Exemple – N'utilisez que des câbles d'interface armés lors du branchement à un ordinateur ou à un périphérique.) Cet appareil respecte l'article 15 des réglementations FCC. Le fonctionnement doit respecter les deux réglementations suivantes : (1) cet appareil ne doit pas causer de brouillage nuisible et (2) cet appareil doit pouvoir recevoir tout type d'interférence, dont des interférences qui pourraient causer un fonctionnement involontaire.

**SYNCHRONISATION:** Pour créer un lien unique entre l'appareil et la commande à distance, veuillez suivre les instructions suivantes :

1. Éteignez l'appareil et appuyez sur le bouton « Lights » de l'appareil jusqu'à ce que la lettre « F » apparaisse à l'écran de l'afficheur
2. Appuyez sur le bouton « Lights » de la commande à distance. Les lumières de l'appareil s'allumeront et la synchronisation sera assurée.

### FONCTIONS DE LA COMMANDE À DISTANCE :



#### 1 Ventilateur Allumer/Choix de vitesses

Appuyez sur pour mettre le ventilateur en marche et choisir l'une des six vitesses de fonctionnement.

#### 2 Ventilateur Marche/Arrêt

Appuyez sur pour allumer le ventilateur à la vitesse à laquelle il fonctionnait lorsque vous l'avez éteint. Appuyez de nouveau sur et toutes les fonctions de l'appareil s'éteignent, y compris les lumières.

#### 3 Arrêt à retardement

Appuyez sur pour activer la fonction d'arrêt à retardement du ventilateur et des lumières. Un point clignotera dans la partie inférieure droite de l'afficheur pour vous confirmer que la fonction a été activée. La hotte passera à la vitesse 1 et s'éteindra après 5 minutes.

#### 4 Lumières : Allumer/Veilleuse/Éteindre

Appuyez une fois sur le bouton pour allumer les lumières, une deuxième fois pour les mettre en veilleuse et une troisième fois pour les éteindre.

### FONCTIONS DE LA COMMANDE À DISTANCE :

La commande à distance radioélectrique est munie d'un aimant pour un entreposage facile. La commande peut être mise sur n'importe quelle surface magnétique, comme un réfrigérateur ou le support à commande Zephyr (FIG. 4). Le support à commande peut s'installer à une prise électrique standard pour un rechargement facile. Note : Le support à commande ne recharge pas la commande à distance RF.

La distance maximale de l'appareil à laquelle la commande fonctionne est de 15 pieds.

### ENTRETIEN DE LA COMMANDE À DISTANCE :

Nettoyez la commande à distance avec des détergents non abrasifs.

#### Suivez les instructions ci-dessous pour remplacer la pile.

Enlevez le couvercle du compartiment à pile (A) à l'aide d'un tournevis plat pour avoir accès au compartiment de la pile (FIG. 2).

Enlevez la pile et remplacez-la par une pile **A23 12V**.

L'extrémité négative devrait faire face au ressort à l'intérieur de la commande à distance.

Remettez le couvercle du compartiment en place et recyclez la vieille pile.

**LA COMMANDE À DISTANCE À RF EST UN ACCESSOIRE OPTIONNEL NON INCLUS AVEC LA HOTTE. ELLE DOIT ÊTRE ACHETÉE SÉPARÉMENT.**

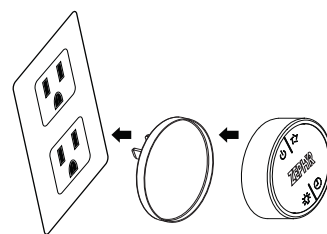


FIG. 4

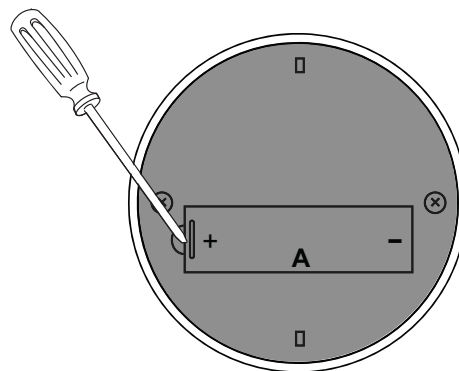


FIG. 5

### ENTRETIEN DES SURFACES:

Nettoyez régulièrement les surfaces de la hotte avec de l'eau savonneuse chaude et un chiffon de coton propre. N'utilisez pas de détergent abrasif ou corrosif, de laines d'acier ou de tampons à récurer; ils égratigneront et endommageront les surfaces. N'utilisez pas de produits à blanchir au chlore ou d'agents nettoyeurs « orange ».

Pour les taches plus tenaces, utilisez du produit dégraissant liquide.

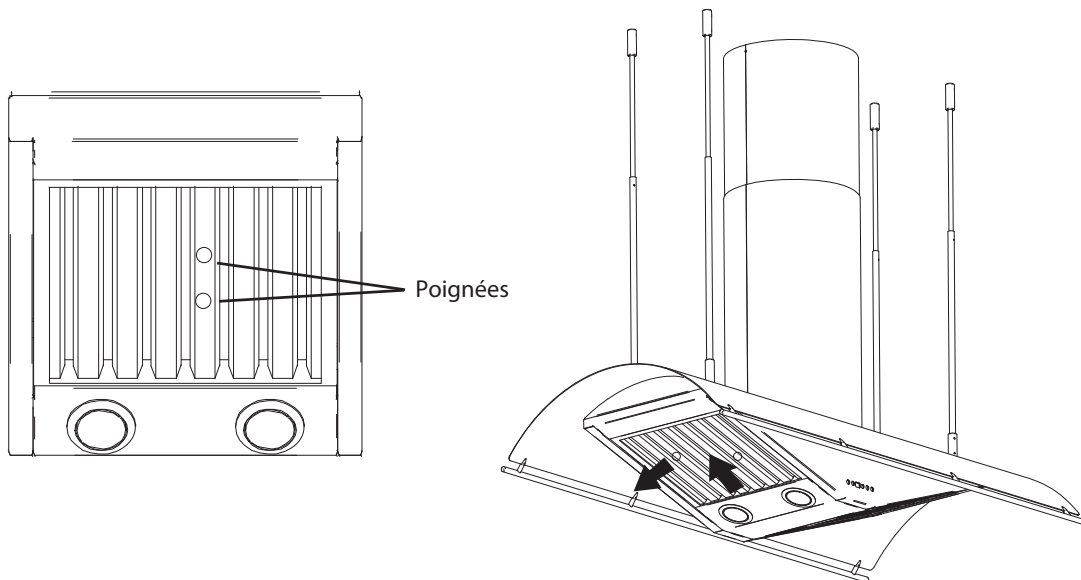
Après le nettoyage, vous pouvez polir les surfaces avec des produits de polissage à acier inoxydable non abrasifs pour redonner de l'éclat et du lustre aux surfaces. Frottez toujours doucement, avec un chiffon de coton propre, et dans le sens du grain.

### Nettoyage des filtres déflecteurs en acier inoxydable

Les filtres déflecteurs en acier inoxydable installés par le fabricant ont pour fonction de filtrer les résidus et la graisse de cuisson. Bien qu'ils ne nécessitent aucun remplacement sur une base régulière, les filtres doivent être nettoyés tous les 30-60 jours ou plus souvent selon vos habitudes culinaires.

Vous pouvez laver les filtres au lave-vaisselle avec de l'eau tiède ou les faire tremper dans de l'eau chaude savonneuse. Séchez les filtres et réinstallez-les avant d'utiliser la hotte.

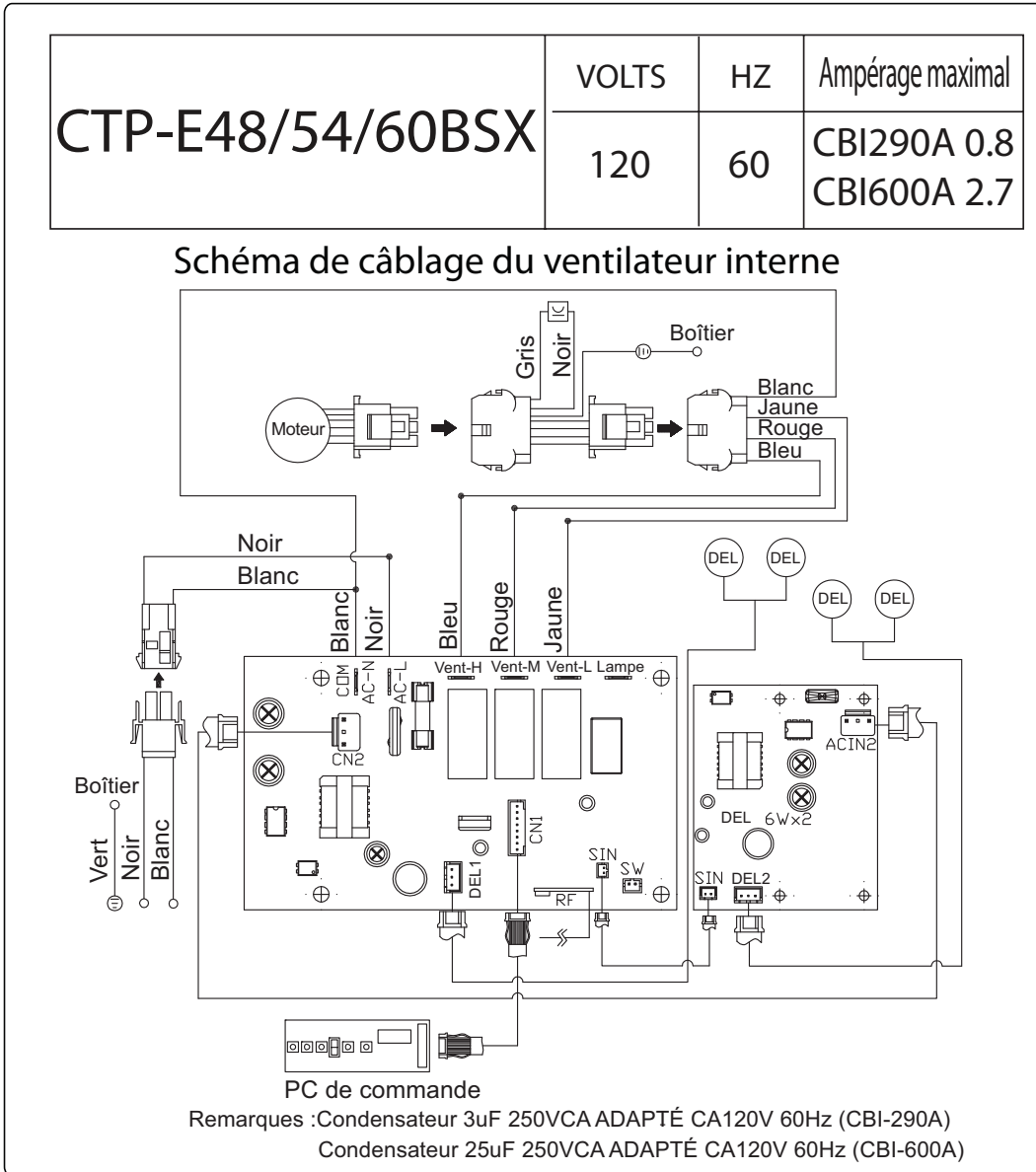
Enlevez les filtres en les faisant glisser vers l'extérieur et vers le bas à partir du centre de la hotte.



## PROCÉDURES DE DÉPANNAGE POUR LA HOTTE TRAPEZE

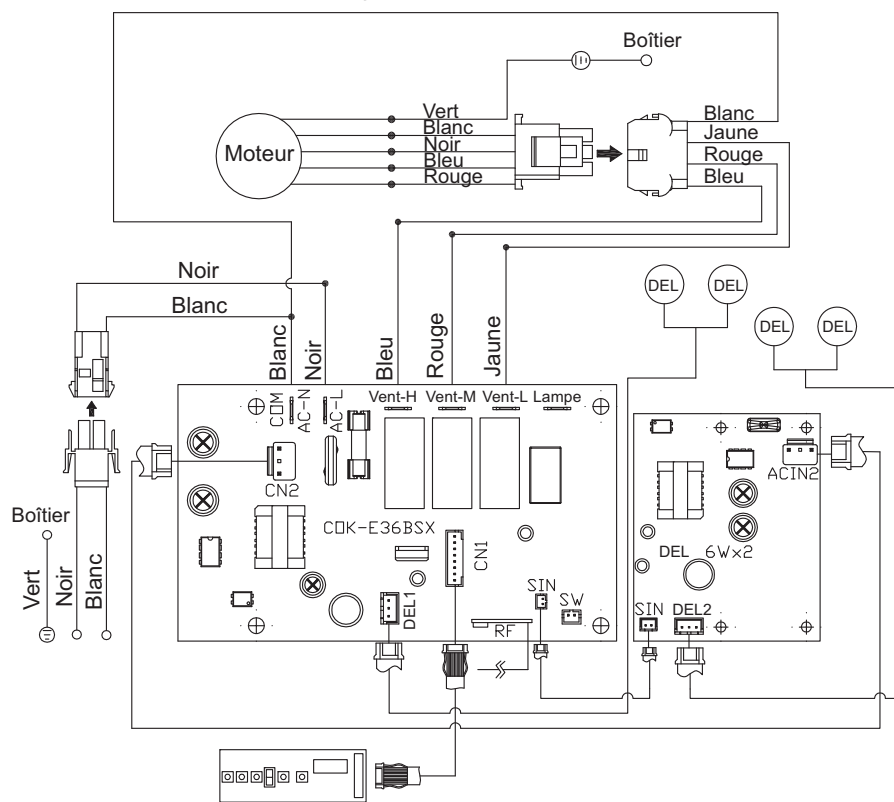
Problème	Cause	Solution
Après l'installation, l'appareil ne fonctionne pas.	1. Le bloc d'alimentation n'est pas allumé	1. Assurez-vous que l'alimentation du disjoncteur et de l'appareil est allumée
	2. La ligne électrique et le raccord de câble ne sont pas correctement branchés	2. Vérifiez que le branchement de l'appareil a été fait correctement
	3. Les fils électriques du tableau de contrôle et de commande sont débranchés	3. Assurez-vous que les fils électriques entre les tableaux de contrôle et de commande sont branchés convenablement
	4. Tableau de contrôle/commande défectueux	4. Remplacez le tableau de contrôle/commande
Les lumières fonctionnent, mais le ventilateur ne tourne pas.	1. Le faisceau de câbles du ventilateur extérieur ou intérieur est peut-être débranché.	1. Assurez-vous que les câbles sont branchés dans le boîtier du tableau de commande.
	2. La broche du connecteur Molex ne fait pas contact.	2. Débranchez le connecteur Molex, vérifiez les broches situées à l'intérieur du connecteur Molex pour voir si l'une d'elles est trop loin à l'intérieur du connecteur. Remplacez la broche au besoin.
	3. Le ventilateur est défectueux, possiblement bloqué.	3. Remplacez le ventilateur.
	4. Le système de protection thermique détecte que le ventilateur est trop chaud pour fonctionner et l'éteint.	4. Le ventilateur fonctionnera normalement lorsque le système de protection thermique aura refroidi.
	5. Le condensateur est endommagé	5. Remplacez le condensateur.
L'appareil vibre	1. Le ventilateur n'est pas bien fixé en place	1. Fixez bien le ventilateur en place.
	2. La hotte n'est pas bien fixée en place	2. Vérifiez l'installation de la hotte.
	3. La roue du ventilateur est endommagée.	3. Remplacez le ventilateur.
L'appareil émet un sifflement	1. L'un des filtres est mal placé.	1. Ajustez les filtres jusqu'à ce que le sifflement cesse.
	2. Les joints des tuyaux ne sont pas bien scellés ou les conduits ne sont pas connectés adéquatement.	2. Vérifiez les joints du conduit pour vous assurer qu'ils sont adéquatement scellés.
Le ventilateur fonctionne, mais pas les lumières.	1. La prise de l'ampoule est débranchée.	1. Branchez la prise de l'ampoule.
	2. L'ampoule DEL est défectueuse	2. Remplacez l'ampoule DEL
La hotte ne fonctionne pas bien.	1. La hotte est possiblement installée trop haut par rapport à la cuisinière	1. Ajustez la distance entre la surface de la cuisinière et la base de la hotte entre 26" et 36"
	2. Du vent provenant d'une fenêtre ou d'une porte ouverte avoisinante nuit à la ventilation	2. Fermez toutes les portes et fenêtres pour éliminer les courants d'air
	3. L'ouverture du conduit ou le conduit lui-même est bloqué	3. Enlevez tout ce qui bloque l'ouverture ou le conduit d'aération
	4. Il y a trop de coudes dans le conduit	4. Limitez le nombre de coudes ou utilisez un conduit au plus grand diamètre.
	5. Mauvaises dimensions de conduit d'aération	5. Remplacez le conduit par un conduit d'au moins 6" si vous utilisez un ventilateur interne ou de 8" si vous utilisez un ventilateur externe.
Le filtre vibre.	1. Le filtre déflecteur est desserré.	1. Ajustez ou remplacez le filtre déflecteur.
La hotte a cessé de fonctionner quelque temps après son installation.	1. Le tableau de commande doit être réinitialisé.	1. Fermez le disjoncteur correspondant à la hotte pendant au moins 15 minutes. Rallumez-le et le problème devrait être réglé.
	2. Le tableau de commande est défectueux.	2. Remplacez le tableau de commande.

**Schéma de câblage**



<b>CTP-E48/54/60BSX</b>	VOLTS	HZ	Ampérage maximal
	120	60	CBE1000 6.0 PBN1000A 4.8

**Schéma de câblage du ventilateur à distance**



PC de commande

Remarques : Condensateur 15uF 370VCA ADAPTÉ CA120V 60Hz (CBE-1000)  
Condensateur\*2 25uF 250VCA ADAPTÉ CA120V 60Hz (PBN-1000A)



**DESCRIPTION**

**N° DE PIÈCE**

**Pièces de remplacement**

Ampoules DEL HD de 6W Zephyr Bloommd (unité)

Z0B-0034

Filtre défecteur (unité)

50210022

**Accessoires optionnels**

Pièces de recouvrement de conduit

Z1C-00TP

Ventilateur interne simple

CBI-290A / CBI-600A

Ventilateur externe

CBE-1000

Ventilateur de conduit

PBN-1000A

Pour commander des pièces, visitez-nous en ligne au [www.zephyronline.com](http://www.zephyronline.com) ou communiquez avec nous par téléphone au 1-888-880-8368

# ZEPHYR

## Garantie limitée

### AGRAFEZ VOTRE REÇU ICI

Une preuve de la date d'achat originale est nécessaire pour obtenir du service lorsque le produit est sous garantie

**POUR OBTENIR DU SERVICE SOUS GARANTIE OU POUR TOUTE QUESTION LIÉE À L'ENTRETIEN, veuillez communiquer avec nous au 1-888-880-8368**

Zephyr Corporation (désigné aux présentes sous le nom de « nous ») garantit au premier acheteur (désigné aux présentes sous le nom de « vous » ou « votre ») de produits Zephyr (les « Produits ») que lesdits produits sont exempts de défauts de fabrication ou de main-d'œuvre selon les conditions suivantes :

**Garantie de trois ans sur les pièces :** Garantie de trois ans à partir de la date d'achat originale du Produit. Nous fournirons sans frais les Produits ou les pièces (y compris les ampoules LED, le cas échéant) de remplacement qui comportaient des défauts de fabrication. Nous pourrions choisir, à notre seule discrétion, de réparer ou de remplacer des pièces avant de prendre la décision de remplacer le Produit.

**Garantie limitée d'un an sur la main-d'œuvre :** Garantie d'un an à partir de la date d'achat originale du Produit. Nous couvrirons sans frais les frais de main-d'œuvre afférents à la réparation du Produit ou des pièces de remplacement qui comportaient des défauts de fabrication. Un an après la date d'achat originale, vous serez responsable de tous les frais de main-d'œuvre associés à la présente garantie.

**Exclusions de la garantie :** Cette garantie ne couvre que la réparation ou le remplacement, à notre gré, de pièces ou de Produits défectueux et ne couvre aucun autre coût afférent aux Produits, dont, sans s'y limiter, les frais liés : (a) à l'entretien normal des Produits et au remplacement des pièces consommables, comme les incandescence ou halogène-ampoules, les filtres métalliques, les filtres à charbon et les fusibles; (b) à tout Produit ou pièce ayant été endommagé durant le transport ou étant le résultat d'un mauvais usage, d'une négligence, d'un accident, d'une installation incorrecte ou ne respectant pas les notices d'installation recommandées, d'un entretien ou d'une réparation inapproprié (dont ne nous sommes pas responsables); (c) à une utilisation commerciale ou ne correspondant pas à l'utilisation pour laquelle les Produits sont conçus; (d) à l'usure naturelle du fini, à l'usure due à un entretien inadéquat, à l'utilisation de produits nettoyants corrosifs ou abrasifs, de tampons nettoyeurs et de produits de nettoyage pour le four; (e) aux éclats, entailles ou fissures résultant d'un abus ou d'une mauvaise utilisation du Produit; (f) aux déplacements d'un technicien de service à votre domicile pour vous montrer comment utiliser les Produits; (g) aux dommages causés par un accident, un incendie, une inondation ou un cas fortuit. Si vous vous trouvez à l'extérieur du territoire que nous desservons, des frais supplémentaires pourraient s'appliquer pour la livraison des produits à nos points de service désignés pour une réparation sous garantie ou vous pourriez avoir à déboursier les frais de déplacement du technicien à votre domicile pour que le Produit soit réparé, enlevé ou réinstallé. Un an après la date d'achat originale du Produit, vous êtes également responsable de tous les frais de main-d'œuvre associés à la présente garantie.

**Restrictions de la garantie. NOTRE OBLIGATION DE RÉPARER OU DE REMPLACER, À NOTRE GRÉ, LE PRODUIT CONSTITUE VOTRE SEUL ET UNIQUE RECOURS SOUS LA PRÉSENTE GARANTIE. NOUS NE NOUS PORTONS PAS RESPONSABLES POUR TOUT DOMMAGE INDIRECT, ACCESSOIRE OU PARTICULIER RÉSULTANT OU AYANT UN LIEN AVEC L'UTILISATION OU LE RENDEMENT DES PRODUITS. LES GARANTIES EXPRESSES DE LA SECTION PRÉCÉDENTE SONT EXCLUSIVES ET TIENNENT LIEU DE TOUTE AUTRE GARANTIE EXPRESSE. PAR LES PRÉSENTES, NOUS REJETONS ET EXCLUONS TOUTE AUTRE GARANTIE EXPRESSE POUR LES PRODUITS ET TOUTES LES GARANTIES TACITES PRÉVUES PAR LA LOI, DONT CELLES RELATIVES À LA QUALITÉ MARCHANDE OU À L'ADÉQUATION DU PRODUIT POUR UNE UTILISATION PARTICULIÈRE.** Certains États ou provinces n'autorisent pas les restrictions sur la durée d'une garantie implicite ou l'exclusion ou la restriction des dommages indirects ou accessoires; par conséquent, les exclusions et restrictions mentionnées ci-dessus pourraient ne pas s'appliquer à votre cas. Dans la mesure où une loi applicable interdit l'exclusion de garanties implicites, la durée de toute garantie implicite applicable se limite à la période de deux ans décrite ci-dessus. L'unique objectif de toute description orale ou écrite est de présenter les Produits et celle-ci ne devrait pas être interprétée comme une garantie expresse. Avant d'utiliser ou de permettre l'utilisation des Produits, vous devrez déterminer si les Produits conviennent aux utilisations prévues et vous devrez assumer tout risque et toute responsabilité relatifs à ces utilisations. Nous nous réservons le droit d'utiliser des pièces reconstruites ou remises à neuf pour remplacer l'une des fonctionnalités dans le cadre de la présente garantie ou de l'une des parties de la présente garantie. L'acheteur original ne peut transférer la présente garantie et celle-ci n'est valide qu'aux États-Unis et au Canada.

**Pour obtenir du service sous la garantie :** Pour avoir droit à du service sous garantie, vous devez : (a) nous avertir en utilisant l'adresse ou le numéro de téléphone inscrit ci-dessous dans les soixante jours suivant la détection du défaut; (b) donner le numéro du modèle, le numéro d'identification de la pièce ainsi que le numéro de série; et (c) décrire la nature de tout défaut de la pièce ou du Produit. Au moment de faire la demande de service sous garantie, vous devrez présenter votre preuve d'achat et la preuve de la date d'achat originale. Si nous déterminons que les exclusions de la garantie énumérées ci-dessus s'appliquent ou si vous vous trouvez dans l'incapacité de nous fournir la documentation nécessaire pour obtenir du service, vous serez responsable de tous les frais d'expédition, de déplacement, de main-d'œuvre ou de tout autre coût afférent au service.

Veuillez consulter notre site Web au [www.zephyronline.com](http://www.zephyronline.com) pour savoir si des révisions ont été apportées à la garantie.

**Zephyr Corporation Service Department, 2277 Harbor Bay Parkway, Alameda, CA 94502 1-888-880-8368**