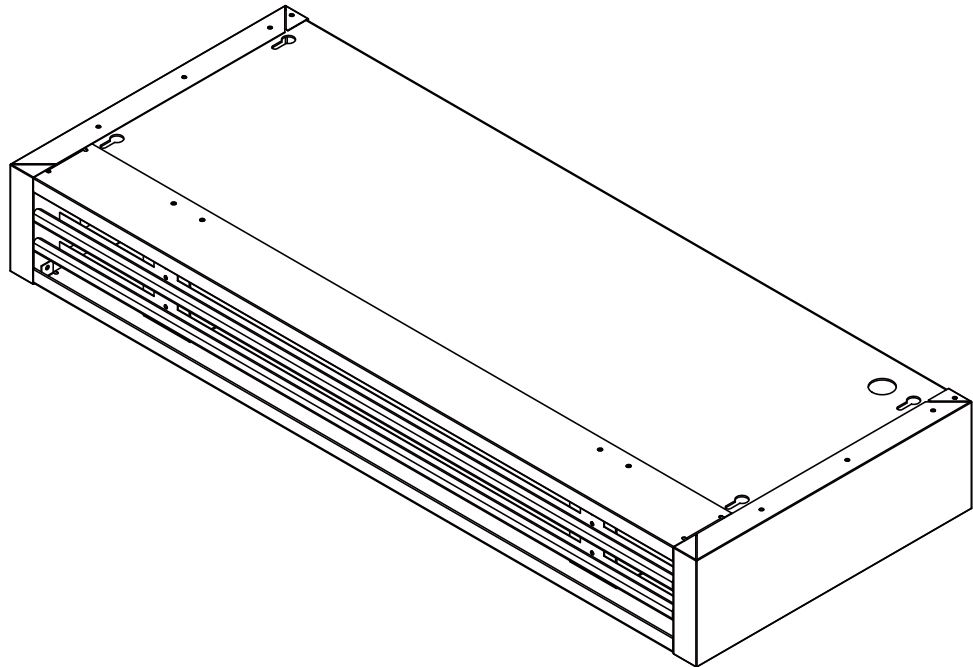


# Use, Care, and Installation Guide

## Tempest Recirculating Kit

ZRC-70000  
ZRC-70360  
ZRC-70420



Model number: \_\_\_\_\_  
Serial Number: \_\_\_\_\_  
Date of Purchase: \_\_\_\_\_  
Sales Dealer: \_\_\_\_\_



---

**LIST OF MATERIALS** ..... 2

**INSTALLATION**

    Speci cations ..... 3

    Mounting the Diverter Box..... 4

    Mounting the Filters and Brackets ..... 5

**LIST OF PARTS AND ACCESSORIES** ..... 6

# List of Materials

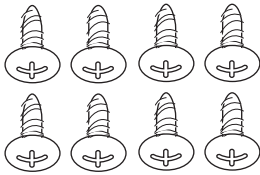
**MODELS:** ZRC-7000Ó, ZRC-7036Ó, ZRC-7042Ó

**PARTS SUPPLIED**

- 1 - Air diverter box
- H- Charcoal filters (*G for ZRC-7000B*)
- H- Charcoal filter brackets (*G for ZRC-7000B*)
- 1 - Hardware package

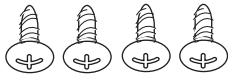
**HARDWARE PACKAGE CONTENTS**

M4 x 8" (8)



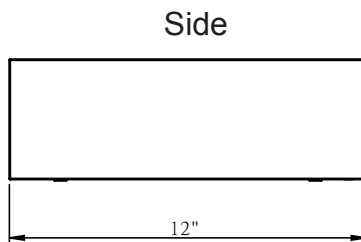
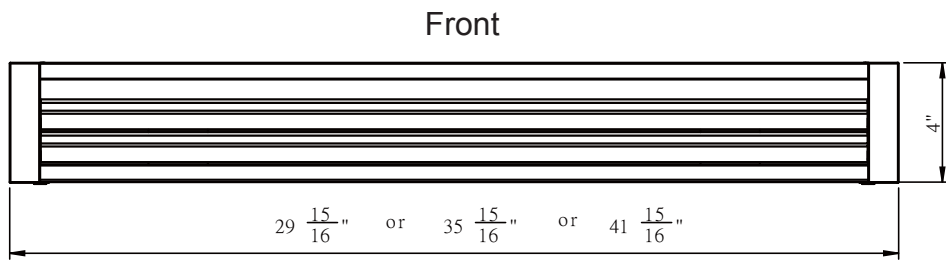
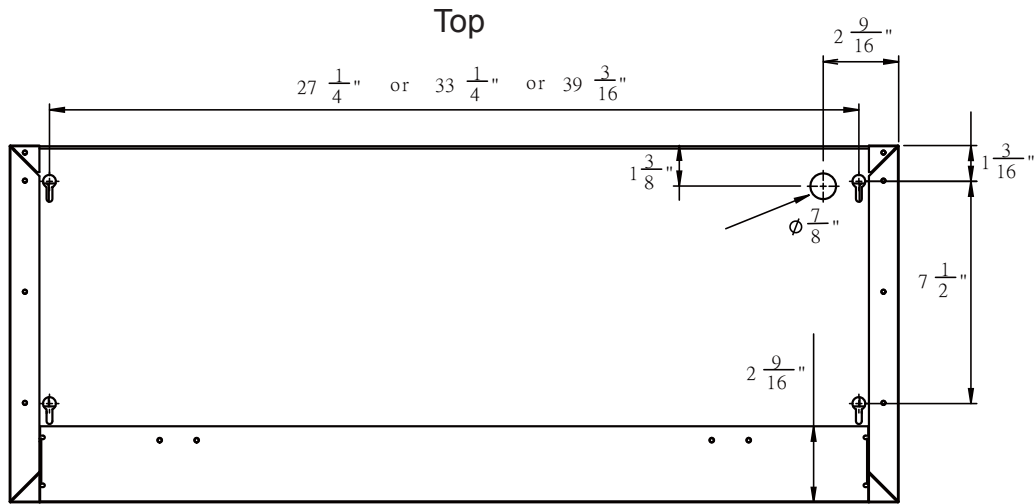
3/16 x 1/2" (4)

Pre-installed



**PARTS NOT SUPPLIED**

- Ducting, conduit and all installation tools
- Cable connector (*if required by local codes*)



# Installation – Mounting the Diverter Box

## Mounting the air diverter box

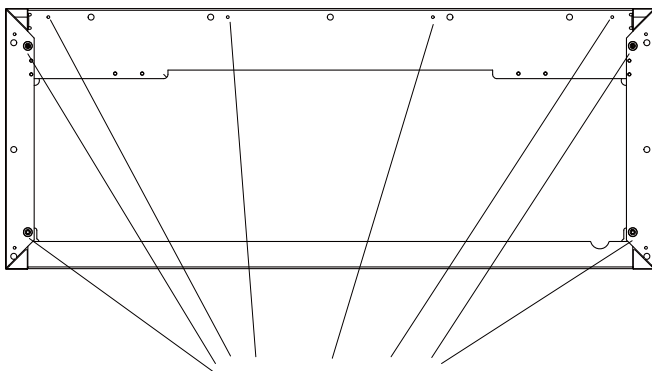
FOR USE WITH AK7000BS, AK7036BS, AK7042BS

AK7500BS, and AK7536BS ONLY

FOR USE WITH SINGLE INTERNAL BLOWER ONLY

NOT COMPATIBLE WITH DUAL INTERNAL BLOWER

1. Position the air diverter box under cabinet. Mark the (4) key-holes for the 3/16" x 1/2" screws and electrical knock out opening with a pencil. Remove air diverter box and install the (4) 3/16" x 1/2" screws. Do not tighten screws all the way. Drill out the electrical knock-out opening.  
**Note:** Reinforce cabinet with 1" x 2" wood strips if additional strengthening is required or if cabinets are framed.
2. Lift air diverter box and align the holes on top of the air diverter box with the screws recently installed. Slide the air diverter box towards the wall to temporarily lock in place. Hand tighten the (4) screws. (Fig. A)
3. Lift Tempest I range hood and align the key-holes on top of the hood with the screws protruding from the bottom of the air diverter box. Slide hood towards wall to temporarily lock in place. Hand tighten the (4) screws. (Fig. A)  
**Note:** Electrical wiring will pass through the cabinet bottom, air diverter box and connect to the hood wiring. See Tempest I instruction manual for more details.
4. Further secure the hood to the air diverter box by fastening M4 x 8 screws to each of the (8) holes on the bottom of the air diverter box. You can gain access to the screw holes from within the hood. The holes on top of the Tempest I will align with the holes on the bottom of the air diverter box. (Fig. B)



(8) M4 x 8 screws go here

Fig. B

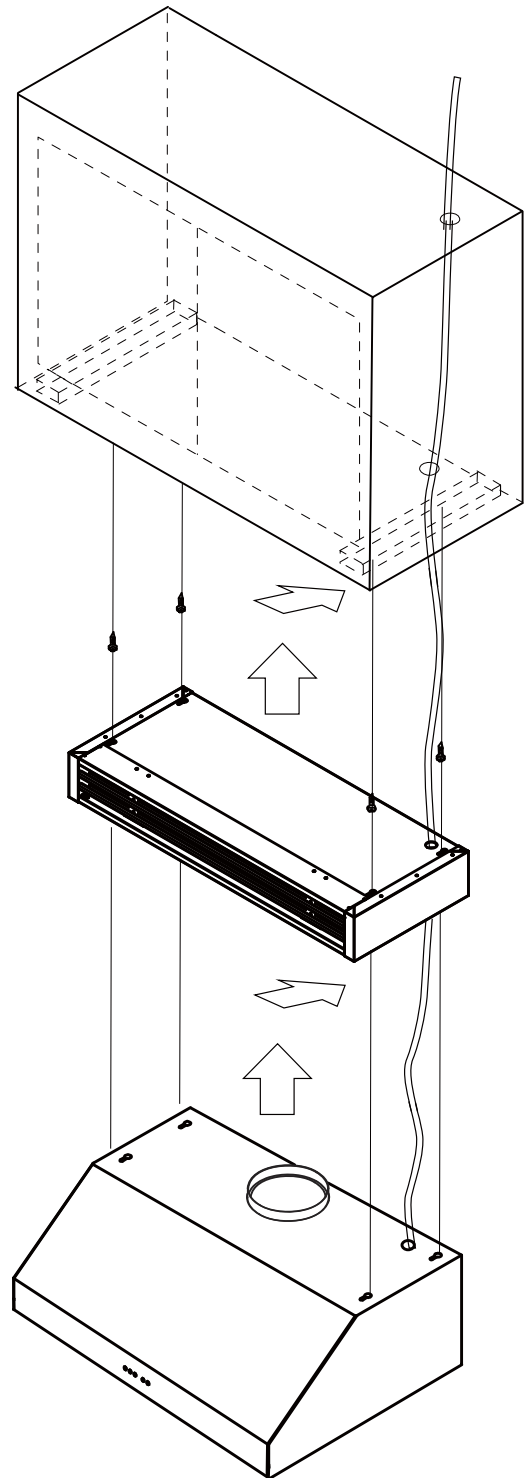


Fig. A

**Mounting the Bracket and Baffle Filter**

1. Insert the charcoal filter bracket into back side of baffle filter (side without handles). The (2) tabs on the bottom of the bracket should be inserted into the baffle filter first. Push the bracket towards the baffle filter to lock bracket in place. There is a clip on top of the bracket that will secure it to the baffle filter. (Fig. C) Repeat this step for each bracket.

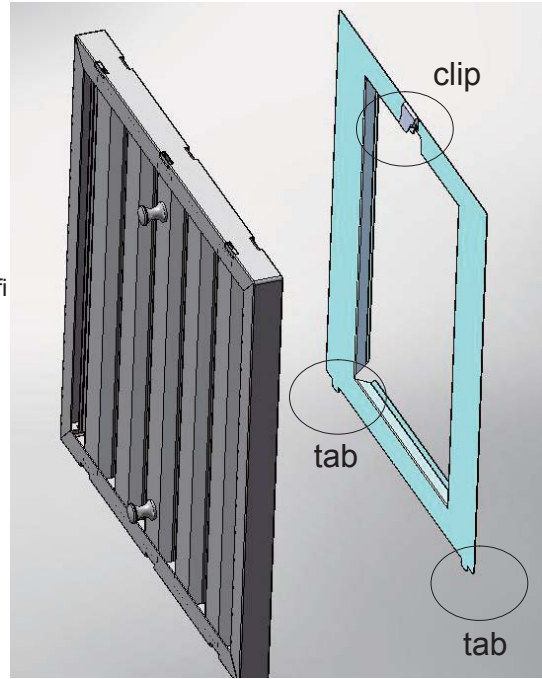


Fig. C

**Installing the Charcoal Filter**

1. Insert the charcoal filter into the bracket. Tab cut-out side of the charcoal filter should be installed first then push down on the filter to lock in place. (Fig. D)

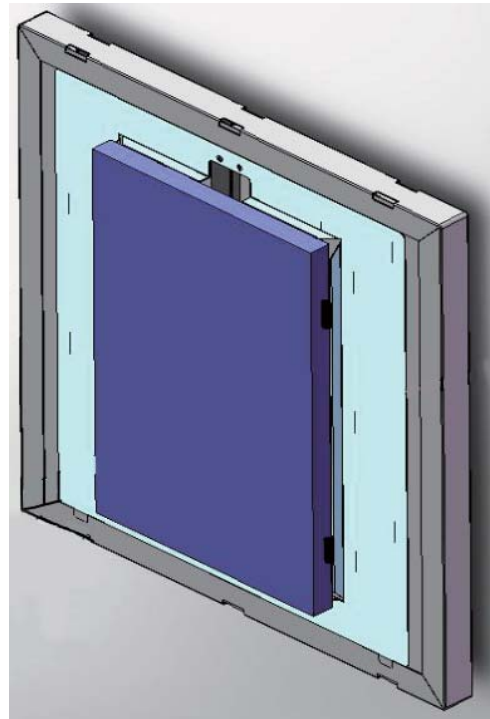


Fig. D

## List of Parts and Accessories

### DESCRIPTION

### PART #

#### Replacement Parts

Charcoal Filter (each)

Z0F-C002

To order parts, visit us online at <http://store.zephyronline.com> or call us at 1.888.880.8368