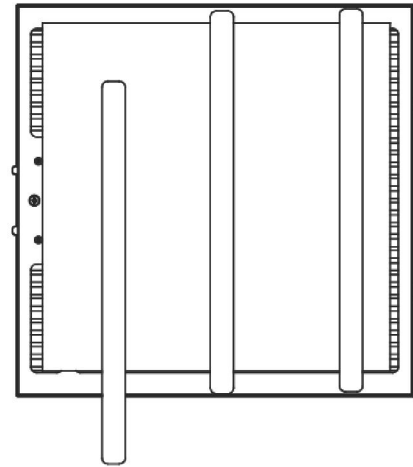
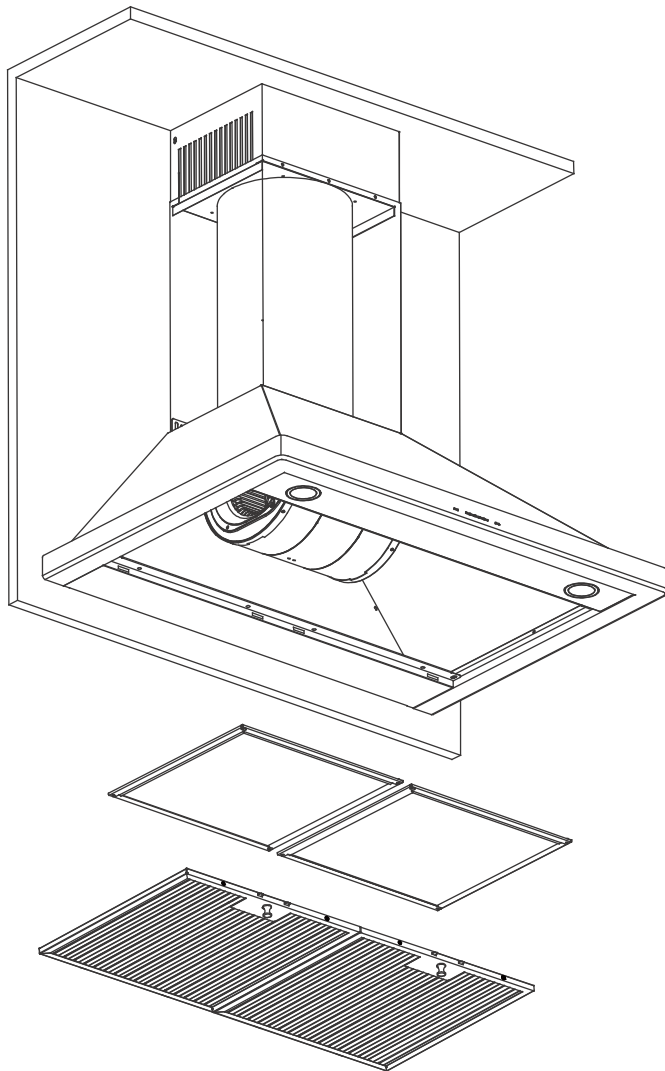


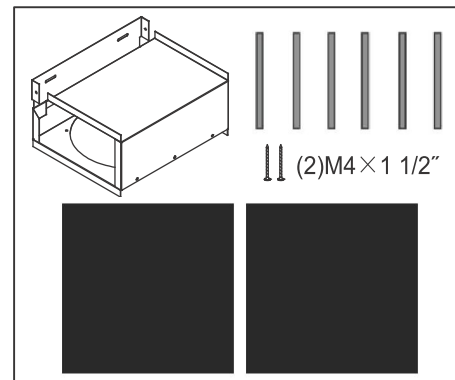
ZRC-00SI

For use with: ZSI-E30AS / ZSI-E36AS

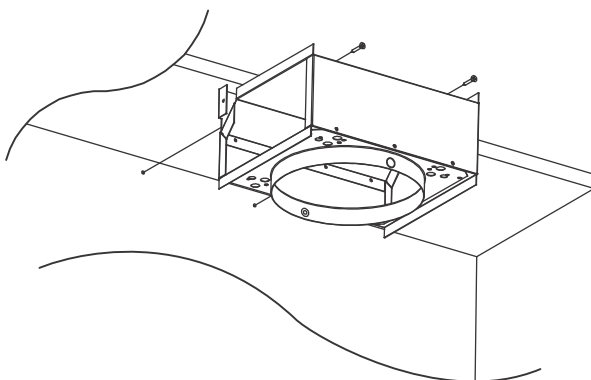


Place charcoal filter on back-side of baffle filter. And place filter brackets over charcoal filter and secure in place by tucking each end of bracket under the baffle filter frame. Re-install baffle filter.

INCLUDED MATERIAL



1



2

