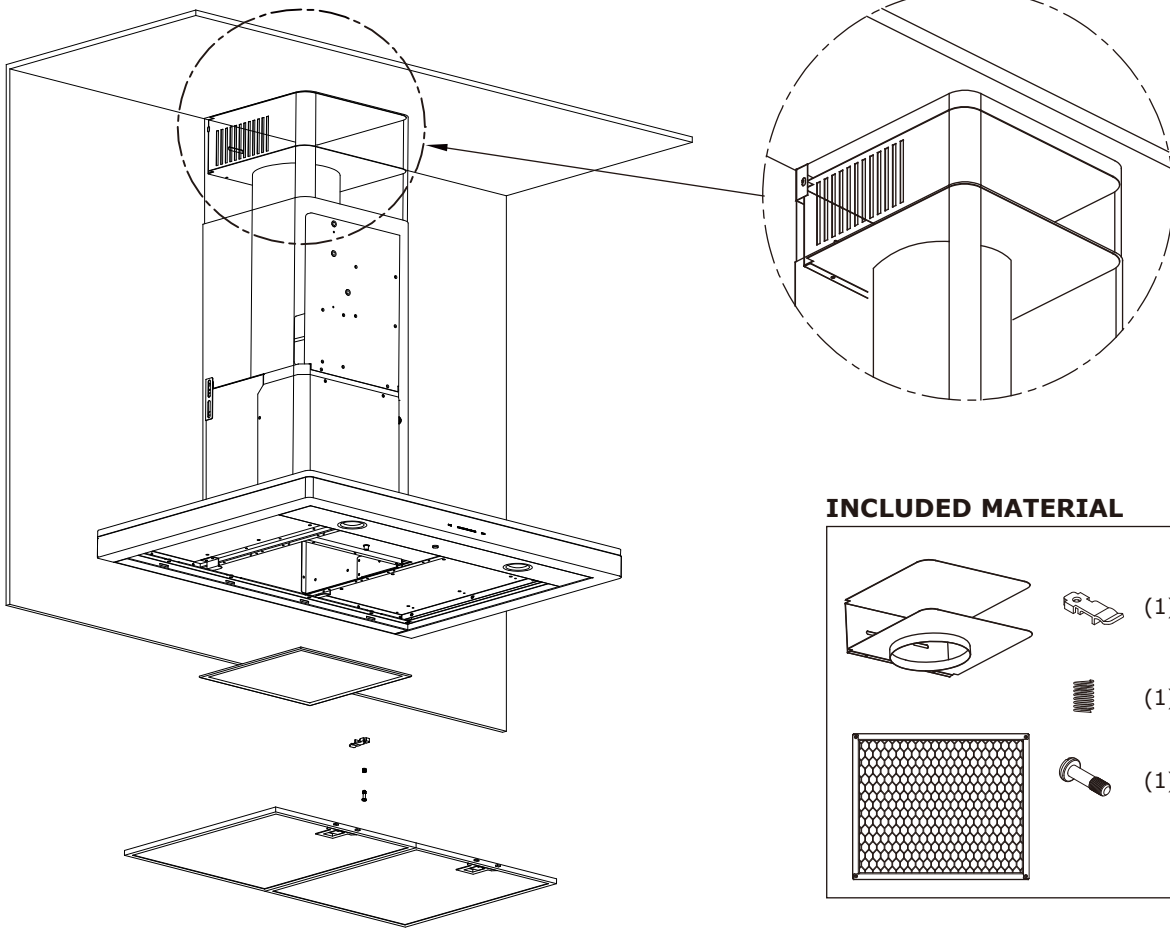
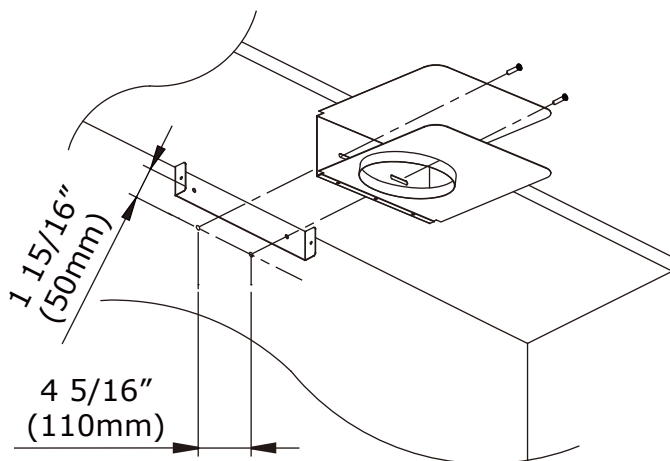


ZRC-00LU

For use with models : ZLU-E30AS,ZLU-M90AS



1



2

