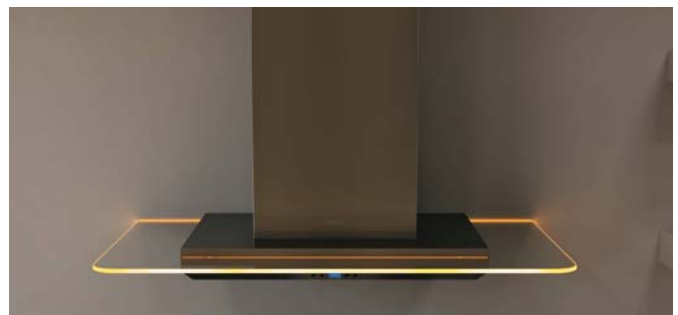


VERONA wall

Verona is topped with a straight glass canopy that also serves as an ambiance setting LED display. Select the Cloud White, Deep Blue and Amber color options to best match your kitchen's décor, or choose the Demo mode that displays all three settings in 10-second intervals. A Next Generation Europa model, Verona includes Zephyr's DCBL Suppression System™ with Bloom™ LED light bulbs and LCD display controls.

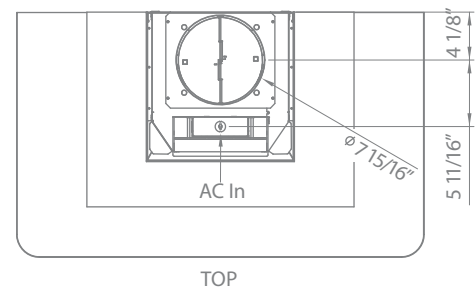
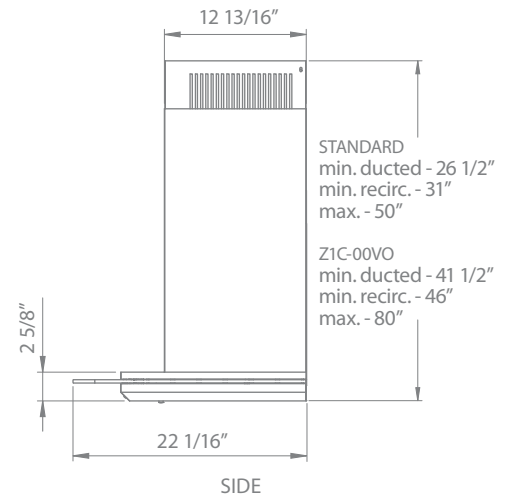
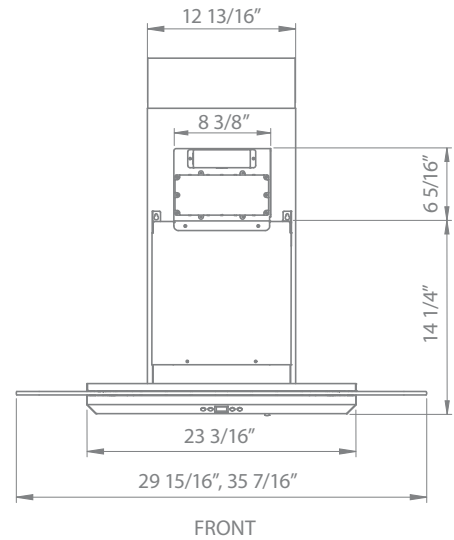
| | INTERNAL BLOWER STANDARD | ACT™ INTERNAL BLOWER with AIRFLOW CONTROL TECHNOLOGY™ | | | |
|-----------------|--------------------------|---|-----------|-----------|-----------|
| Min.-Max. CFM | 250 - 715 | Min.-Max. CFM | 250 - 590 | 250 - 440 | 250 - 290 |
| Min.-Max. Sones | 0.8 - 5.8 | Min.-Max. Sones | 0.8 - 4.5 | 0.8 - 3 | 0.8 - 1.2 |

ACT is a feature built into all Zephyr hoods with DCBL Suppression System™ technology allowing you to limit the maximum blower CFM to meet local code requirements.



VERONA WALL | NEXT GENERATION EUROPA

| | |
|--------------------------------|-----------------------------|
| SIZE | |
| ZVO-E30AG | 30" |
| ZVO-M90AG | 36" |
| PERFORMANCE | |
| INTERNAL, MIN.-MAX. BLOWER CFM | 250 - 715 |
| INTERNAL, MIN.-MAX. SONES | 0.8 - 5.8 |
| COLOR | |
| STAINLESS STEEL | SS w/Glass |
| FEATURES | |
| CONTROLS | Electronic LCD |
| SPEED LEVELS | 5 + Burst |
| AUTO DELAY-OFF | Yes |
| LIGHTING | Bloom LED 3W x 3 |
| DUAL LEVEL LIGHTING | Yes |
| FILTERS | Aluminum Mesh |
| RECIRCULATING OPTION | Yes |
| EXTENSION DUCT COVER OPTION | Yes, Up to 12' Ceiling |
| DUCT SPECIFICATIONS | |
| VERTICAL - INTERNAL | 8" |
| HORIZONTAL - INTERNAL | NA |
| AC INPUT | |
| | 120V - 60Hz |
| AC POWER | |
| | Max. 220W at 3.5A |
| OPTIONAL ACCESSORIES | |
| RECIRCULATING KIT | ZRC-00VO |
| EXTENSION DUCT COVER | Z1C-00VO |
| MOUNTING HEIGHT* | |
| | 26" - 34" |
| WARRANTY | |
| | 3 Years Parts, 1 Year Labor |



Specifications subject to change, check zephyronline.com for up to date information.

| | | CEILING HEIGHT | 8' | 8.5' | 9' | 9.5' | 10' | 10.5' | 11' | 12' |
|-----------------------------|--------------------------|----------------|---------|-----------|---------|---------|---------|---------|---------|---------|
| STANDARD DUCT COVER | Ducted Mounting Height* | 26"-33.5" | 26"-34" | 26"-34" | 28"-34" | 34"-34" | NA | NA | NA | NA |
| | Recirc. Mounting Height* | 26"-29" | 26"-34" | 26"-34" | 28"-34" | 34"-34" | NA | NA | NA | NA |
| EXTENSION DUCT COVER | Ducted Mounting Height* | NA | NA | 26"-30.5" | 26"-34" | 26"-34" | 26"-34" | 26"-34" | 28"-34" | 28"-34" |
| | Recirc. Mounting Height* | NA | NA | 26"-26" | 26"-32" | 26"-34" | 26"-34" | 26"-34" | 28"-34" | 28"-34" |

*Mounting height refers to distance between top of a 36" tall cooking surface and bottom of hood.