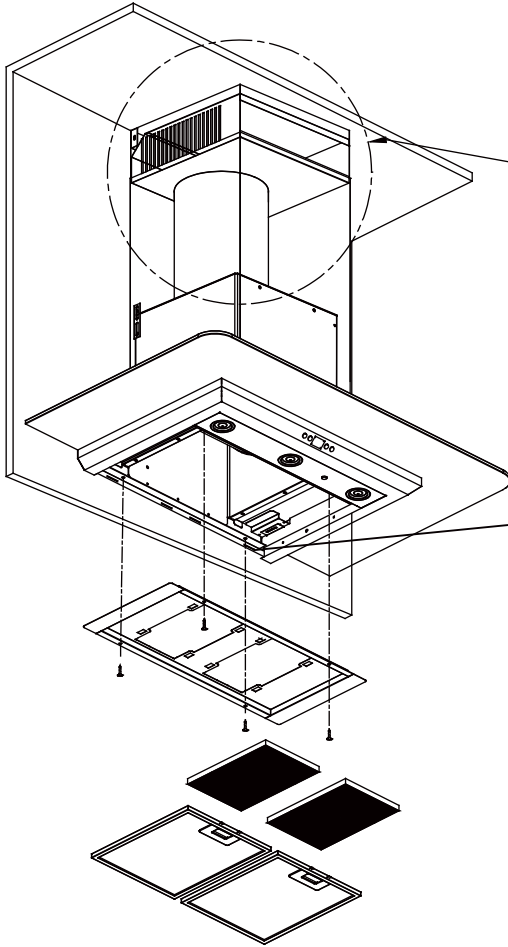


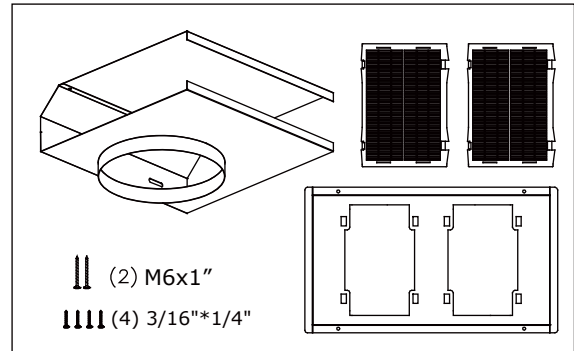
## ZRC-00VO

For use with models : ZVO-E30AG, ZVO-M90AG

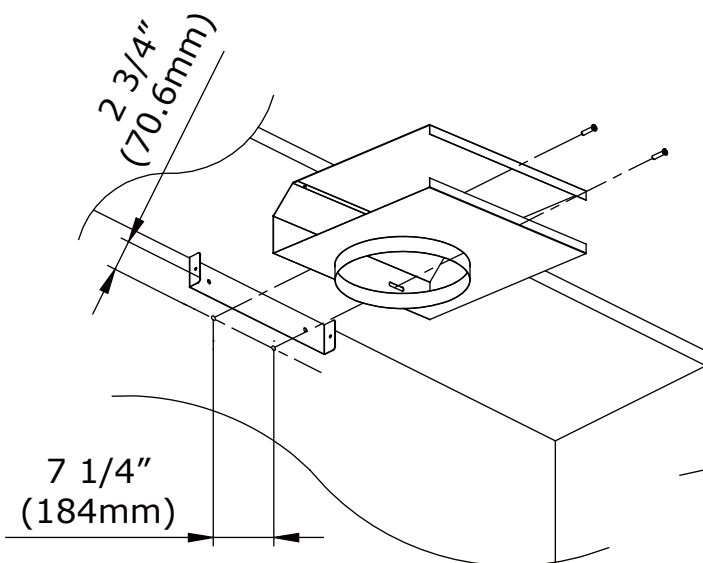


Remove all black foam from filter opening before installing the charcoal filter brackets.

### LIST OF MATERIALS



1



2

