

# MILANO island

A standard of the Europa Collection, Milano island now enjoys the advanced technology of Zephyr's DCBL Suppression System™. A bold technological breakthrough, DCBL Suppression transforms the Milano island into the quietest, most powerful and energy efficient range hood available today. While Milano maintains the classic curved-canopy design, its performance genetics are entirely new. Available in glass, stainless steel or optional smoke-gray glass canopies.

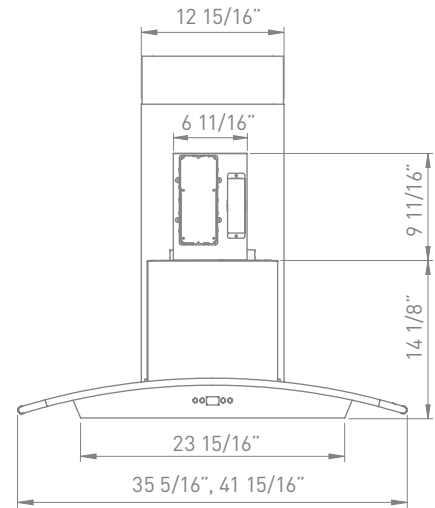
	INTERNAL BLOWER STANDARD	ACT™ INTERNAL BLOWER with AIRFLOW CONTROL TECHNOLOGY™			
Min.-Max. CFM	250 - 715	Min.-Max. CFM	250 - 590	250 - 390	250 - 290
Min.-Max. Sones	0.8 - 5.8	Min.-Max. Sones	0.8 - 4.5	0.8 - 3	0.8 - 1.2

*ACT is a feature built into all Zephyr hoods with DCBL Suppression System™ technology allowing you to limit the maximum blower CFM to meet local code requirements.*

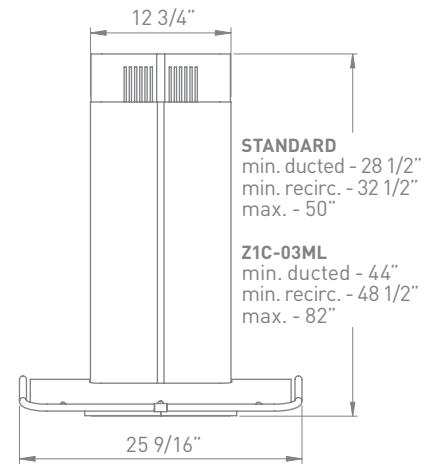


# MILANO ISLAND | NEXT GENERATION EUROPA

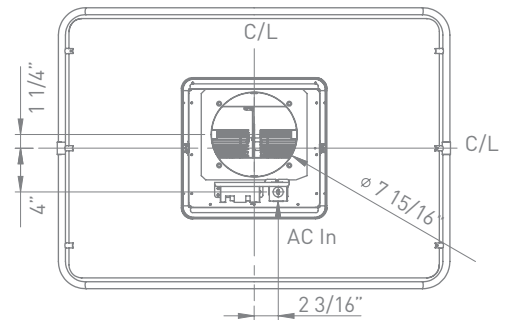
<b>SIZE</b>	
ZML-M90BG / ZML-M90BS	36"
ZML-E42BG / ZML-E42BS	42"
<b>PERFORMANCE</b>	
INTERNAL, MIN.-MAX. BLOWER CFM	250 - 715
INTERNAL, MIN.-MAX. SONES	0.8 - 5.8
<b>COLOR</b>	
STAINLESS STEEL	
ZML-M90BG / ZML-E42BG	SS w/Glass Canopy
ZML-M90BS / ZML-E42BS	SS
<b>FEATURES</b>	
CONTROLS	Electronic LCD
SPEED LEVELS	5 + Burst
AUTO DELAY-OFF	Yes
LIGHTING	Bloom™ HD LED 3W x 4
DUAL LEVEL LIGHTING	Yes
FILTERS	Aluminum Mesh
RECIRCULATING OPTION	Yes
EXTENSION DUCT COVER OPTION	Yes, Up to 12' Ceiling
<b>DUCT SPECIFICATIONS</b>	
VERTICAL - INTERNAL	8"
HORIZONTAL - INTERNAL	NA
<b>AC INPUT</b>	120V - 60Hz
<b>AC POWER</b>	Max. 215W at 3.5A
<b>OPTIONAL ACCESSORIES</b>	
RECIRCULATING KIT	ZRC-00ML
EXTENSION DUCT COVER	Z1C-03ML
UNIVERSAL MAKE-UP AIR DAMPER	MUA008A
SMOKE-GRAY GLASS CANOPY	ZMG-03GY
<b>MOUNTING HEIGHT*</b>	26" - 34"
<b>WARRANTY</b>	3 Years Parts, 1 Year Labor



FRONT



SIDE



TOP

Specifications subject to change, check [zephyronline.com](http://zephyronline.com) for up to date information.

<b>CEILING HEIGHT</b>		8'	8.5'	9'	9.5'	10'	10.5'	11'	12'
<b>STANDARD DUCT COVER</b>	Ducted Mounting Height*	26"-31.5"	26"-34"	26"-34"	28"-34"	34"-34"	NA	NA	NA
	Recirc. Mounting Height*	26"-27.5"	26"-33.5"	26"-34"	28"-34"	34"-34"	NA	NA	NA
<b>EXTENSION DUCT COVER</b>	Ducted Mounting Height*	NA	NA	NA	26"-30"	26"-34"	26"-34"	26"-34"	28"-34"
	Recirc. Mounting Height*	NA	NA	NA	26"-34"	26"-34"	26"-34"	26"-34"	28"-34"

\*Mounting height refers to distance between top of a 36" tall cooking surface and bottom of hood.