

MILANO island

A standard of the Europa Collection, Milano island now enjoys the advanced technology of Zephyr's DCBL Suppression System™. A bold technological breakthrough, DCBL Suppression™ transforms the Milano island into the quietest, most powerful and energy efficient range hood available today. While Milano maintains the classic curved-canopy design, its performance genetics are entirely new. Available in glass, stainless steel or optional smoke-gray glass canopies.

	INTERNAL BLOWER STANDARD	ACT™ INTERNAL BLOWER with AIRFLOW CONTROL TECHNOLOGY™			
Min.-Max. CFM	250 - 715	Min.-Max. CFM	250 - 590	250 - 440	250 - 290
Min.-Max. Sones	0.8 - 5.8	Min.-Max. Sones	0.8 - 4.5	0.8 - 3	0.8 - 1.2

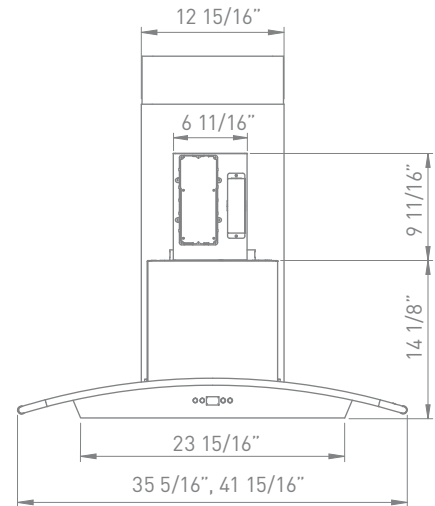
ACT is a feature built into all Zephyr hoods with DCBL Suppression System™ technology allowing you to limit the maximum blower CFM to meet local code requirements.



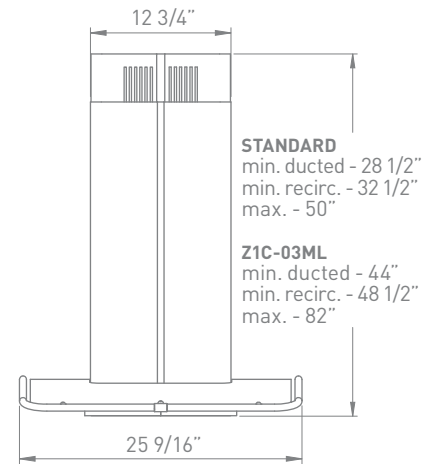
MILANO ISLAND | NEXT GENERATION EUROPA

SIZE	
ZML-M90BG / ZML-M90BS	36"
ZML-E42BG / ZML-E42BS	42"
PERFORMANCE	
INTERNAL, MIN.-MAX. BLOWER CFM	250 - 715
INTERNAL, MIN.-MAX. SONES	0.8 - 5.8
COLOR	
STAINLESS STEEL ZML-M90BG / ZML-E42BG ZML-M90BS / ZML-E42BS	SS w/Glass Canopy SS
FEATURES	
CONTROLS	Electronic LCD
SPEED LEVELS	5 + Burst
AUTO DELAY-OFF	Yes
LIGHTING	Bloom LED 3W x 4
DUAL LEVEL LIGHTING	Yes
FILTERS	Aluminum Mesh
RECIRCULATING OPTION	Yes
EXTENSION DUCT COVER OPTION	Yes, Up to 12' Ceiling
DUCT SPECIFICATIONS	
VERTICAL - INTERNAL	8"
HORIZONTAL - INTERNAL	NA
AC INPUT	120V - 60Hz
AC POWER	Max. 215W at 3.5A
OPTIONAL ACCESSORIES	
RECIRCULATING KIT	ZRC-00ML
EXTENSION DUCT COVER	Z1C-03ML
SMOKE-GRAY GLASS CANOPY	ZMG-03GY
MOUNTING HEIGHT*	26" - 34"
WARRANTY	3 Years Parts, 1 Year Labor

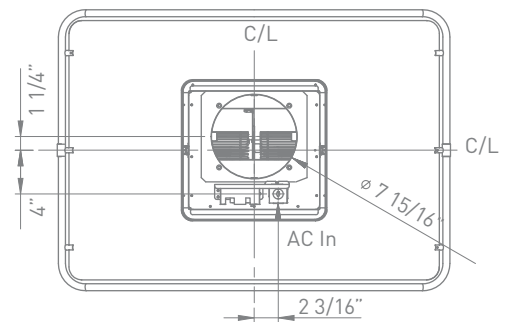
Specifications subject to change, check zephyronline.com for up to date information.



FRONT



SIDE



TOP

CEILING HEIGHT		8'	8.5'	9'	9.5'	10'	10.5'	11'	12'
STANDARD DUCT COVER	Ducted Mounting Height*	26"-31.5"	26"-34"	26"-34"	28"-34"	34"-34"	NA	NA	NA
	Recirc. Mounting Height*	26"-27.5"	26"-33.5"	26"-34"	28"-34"	34"-34"	NA	NA	NA
EXTENSION DUCT COVER	Ducted Mounting Height*	NA	NA	NA	26"-30"	26"-34"	26"-34"	26"-34"	28"-34"
	Recirc. Mounting Height*	NA	NA	NA	26"-34"	26"-34"	26"-34"	26"-34"	28"-34"

*Mounting height refers to distance between top of a 36" tall cooking surface and bottom of hood.