



ELICA

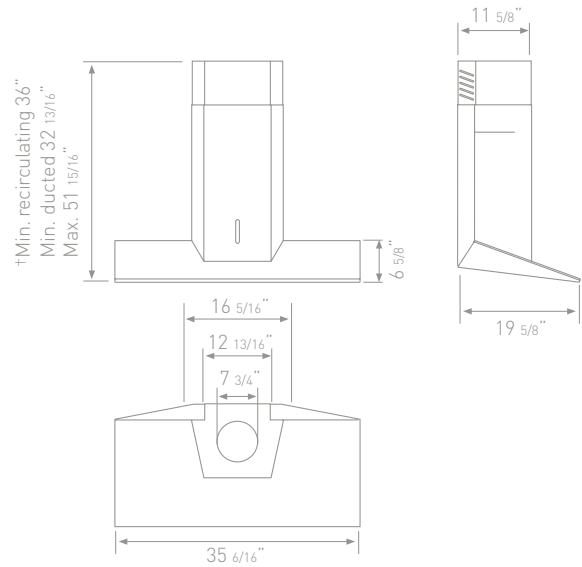
COLLECTION

SLOPE

Cool-blue reverse-silkscreened glass marks Slope with the David Lewis signature hue, bringing reflectivity and depth to this inclined design. Beneath the glass, a contoured steel canopy houses dual halogen lamps. As light and shadow interplay across the surfaces, the eye follows to find integrated touch-controls on the brushed steel vent-housing.



ELICA COLLECTION



[†]Ductless (Recirculating); louver holes exposed.
Note: if necessary order the proper duct cover extension kit.

SLOPE

WALL

MODEL	ESL-M90AS
SIZE	90cm
NET WIDTH	35 3/8"
PERFORMANCE	
Internal Blower CFM	600
Sones	6
Boost Sones	9
COLOR/FINISH	
Stainless Steel w/Blue Glass	S
FEATURES & ACCESSORIES	
Controls	Control Ball
Speed Levels	3
Boost Speed	Yes
Lighting	Halogen 20w 12v x 2
Dual Level Lighting	Yes
RF Remote	Yes
Passive Silencer	Yes
DUCT SPECIFICATIONS	
Ducting	8"
Recirculating	Yes



The ingenious conical remote control is more than a conversation piece—it puts you in charge of power and light from a distance.

Mounting Heights (Ducted)
(Louver holes hidden)

Min. ceiling height 7'9". Hood mounted 24" above cooking surface; 60" from floor.

Max. ceiling height 10'. Hood mounted 32" above cooking surface; 68" from floor.

Mounting Heights (Recirculating)
(Louver holes exposed)

Min. ceiling height 8'. Hood mounted 24" above cooking surface; 60" from floor.

Max. ceiling height 10'. Hood mounted 32" above cooking surface; 68" from floor.