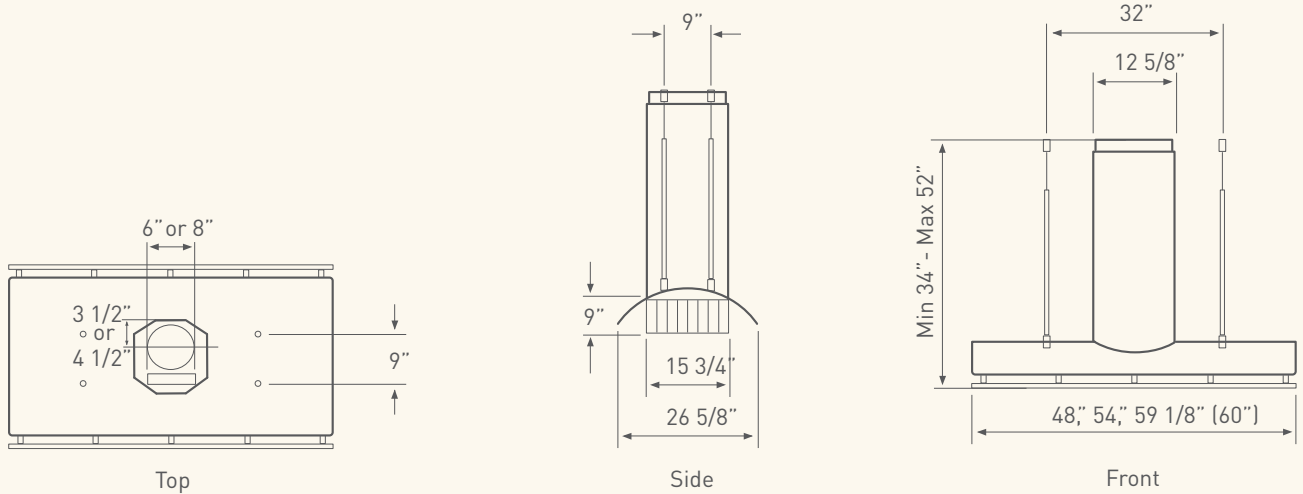


## TRAPEZE

Our first island hood, the light and airy Trapeze is a streamlined reprieve from its bulky, conventional counterparts. Using a delicate suspension structure, the Trapeze seems to float in midair. With directional halogen lighting and a graceful, slow-curve canopy, the Trapeze is more than a focal point—it's a statement.



# CHENG COLLECTION



## TRAPEZE

ISLAND

MODEL	CTP-E48SX	CTP-E54SX	CTP-E60SX
<b>SIZE</b>	48"	54"	60"
<b>NET WIDTH</b>	48"	54"	59 1/8"
<b>PERFORMANCE*</b>			
Internal Blower - CBI-290A	200 - 290 CFM, 1.4 - 3.2 Sones	200 - 290 CFM, 1.4 - 3.2 Sones	200 - 290 CFM, 1.4 - 3.2 Sones
Internal Blower - CBI-600A	240 - 600 CFM, 1.8 - 6 Sones	240 - 600 CFM, 1.8 - 6 Sones	240 - 600 CFM, 1.8 - 6 Sones
In-Line Blower - PBN-1000A	500 - 1000 CFM, Sones NA	500 - 1000 CFM, Sones NA	500 - 1000 CFM, Sones NA
External Blower - CBE-1000	500 - 1000 CFM, Sones NA	500 - 1000 CFM, Sones NA	500 - 1000 CFM, Sones NA
<b>COLOR</b>			
Stainless Steel	SS	SS	SS
<b>FEATURES</b>			
Controls	Electronic Touch	Electronic Touch	Electronic Touch
Speed Levels	3	3	3
Auto Delay-Off	Yes	Yes	Yes
Lighting	Halogen, 50W x 4	Halogen, 50W x 4	Halogen, 50W x 4
Dual-Level Lighting	Yes	Yes	Yes
Filters	Professional Baffle x 2	Professional Baffle x 2	Professional Baffle x 2
Recirculating	No	No	No
Duct Cover Extension	Yes, Up to 12' Ceiling	Yes, Up to 12' Ceiling	Yes, Up to 12' Ceiling
<b>DUCT SPECIFICATIONS</b>			
Vertical - Internal	6"	6"	6"
Vertical - External/In-Line	10" - 8"***	10" - 8"***	10" - 8"***
Horizontal	NA	NA	NA
<b>AC INPUT</b>	120V - 60Hz	120V - 60Hz	120V - 60Hz
<b>AC POWER***</b>			
Hood Only	Max. 200W, 1.66 Amps	Max. 200W, 1.66 Amps	Max. 200W, 1.66 Amps
<b>OPTIONAL ACCESSORIES</b>			
Duct Cover Extension Kit	Z1C-00TP	Z1C-00TP	Z1C-00TP

Mounting Heights Min. ceiling height 8'2". Hood mounted 28"

Max. ceiling height 10'4". Hood mounted 36" above cooking surface; 72" from floor.

\* Requires purchase of Zephyr blower, sold separately. \*\* 10" round duct connects to external and in-line blower. Must transition from 10" to 8" before duct passes through ceiling. A 10" to 8" adapter is included with the external and in-line blowers. \*\*\* AC power listed above is for hood with lights only.

For full blower specs, see [www.zephyronline.com](http://www.zephyronline.com).

**ZEPHYR**  
CHENG COLLECTION  
*Zephyr*

**Zephyr Corporation**  
2277 Harbor Bay Parkway  
Alameda, CA 94502

1.888.880.VENT  
[www.zephyronline.com](http://www.zephyronline.com) feb11.0701

