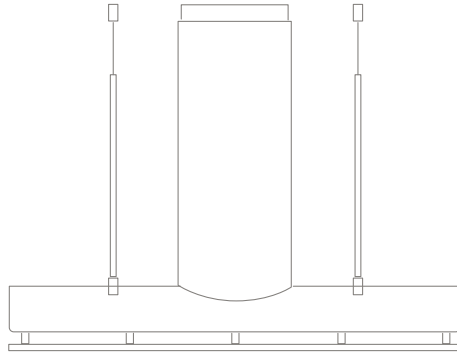


Use, Care, and Installation Guide

Trapeze

CTP-E 48SX
CTP-E54SX
CTP-E 60SX



Model number: _____

Serial number: _____

Date of Purchase: _____

Sales Dealer: _____

SAFETY NOTICE	2
LIST OF MATERIALS	3
INSTALLATION	
Ducting Calculation Sheet	4
Mounting Height and Clearance	5
Ducting	6
Specifications	7
Internal Blower	8 - 9
Preparing Hood for External Blower	10
Mounting the Hood	11 - 14
FEATURES & CONTROLS	
Controls Overview	15 - 16
MAINTENANCE	
Cleaning	17
Lights	18
TRUBLE SHOOTING	19
LIST OF ACCESSORIES/PARTS	20

Important safety Notice

WARNING

TO REDUCE THE RISK OF FIRE OR ELECTRIC SHOCK, DO NOT USE THIS FAN WITH ANY SOLID-STATE SPEED CONTROL DEVICE.

WARNING

TO REDUCE THE RISK OF FIRE, ELECTRIC SHOCK, OR INJURY TO PERSONS, OBSERVE THE FOLLOWING:

- a. Use this unit only in the manner intended by the manufacturer, If you have questions, contact the manufacturer.
- b. Before servicing or cleaning unit, switch power off at service panel and lock the service disconnecting means to prevent power from being switched on accidentally.
When the service disconnecting means cannot be locked, securely fasten a prominent warning device, such as tag, to the service panel.

CAUTION

For General Ventilating Use Only. Do not Use to Exhaust Hazardous or Explosive Materials and Vapors. Take care when using cleaning agents or detergents. Suitable for use in household cooking area.

WARNING

TO REDUCE THE RISK OF A RANGE TOP GREASE FIRE:

- a. Never leave surface units unattended at high settings. Boilovers cause smoking and greasy spillovers that may ignite. Heat oils slowly on low or medium settings.
- b. Always turn hood ON when cooking at high heat or when cooking flambeing food (i.e. Crepes Suzette, Cherries Jubilee, Peppercorn Beef Flambe)
- c. Clean ventilating fans frequently Grease should not be allowed to accumulate on fan or filter.
- d. Use proper pan size. Always use cookware appropriate for the size of the surface element.

WARNING

TO REDUCE THE RISK OF INJURY TO PERSONS IN THE EVENT OF A RANGE TOP GREASE FIRE, OBSERVE THE FOLLOWING:

- a. SMOTHER FLAMES with a close-fitting lid, cookie sheet, or metal tray, then turn off the burner. BE CAREFUL TO PREVENT BURNS. If the flames do not go out immediately, EVACUATE AND CALL THE FIRE DEPARTMENT.
- b. NEVER PICK UP A FLAMING PAN - You may be burned.
- c. DO NOT USE WATER, including wet dishcloths or towels - a violent steam explosion will result.
- d. Use an extinguisher ONLY if:
 1. You know you have a class ABC extinguisher, and you already know how to operate it.
 2. The fire is small and contained in the area where it started.
 3. The fire department is being called.
 4. You can fight the fire with your back to an exit.
 5. Based on "Kitchen Fire Safety Tips" published by NFPA.

WARNING

TO REDUCE THE RISK OF FIRE, ELECTRIC SHOCK OR INJURY TO PERSONS, OBSERVE THE FOLLOWING:

- a. Installation Work and Electrical Wiring Must be Done by Qualified Person (s) In Accordance with all Applicable Codes and Standards, Including Fire-Rated Construction.
- b. Sufficient air is needed for proper combustion and exhausting of gases through the flue (chimney) of fuel burning equipment to prevent back drafting. Follow the heating equipment manufacturer's guideline and safety standards such as those published by the National Fire Protection Association (NFPA), and the American Society for Heating, Refrigeration, and Air Conditioning Engineers (ASHRAE) and the local code authorities
- c. When cutting or drilling into wall or ceiling, do not damage electrical wiring and other hidden utilities.
- d. Ducted fans must always vent to the outdoors.

WARNING

TO REDUCE THE RISK OF FIRE, USE ONLY METAL DUCTWORK.

CAUTION

To reduce risk of fire and to properly exhaust air, be sure to duct air outside - Do not vent exhaust air into spaces within walls or ceilings or into attics, crawl spaces or garages.

CAUTION

To Reduce the Risk of Fire and Electric Shock, Install This Range Hood Only with Remote Blower Models CBE-1000 Rated Maximum 6.2 amp, 120 Vac 60Hz or Integral Blowers Manufactured by Zephyr Ventilation, Models CB1-600.

MODEL: CTP-ExxS

- 1 - Hood
- 2 - Baffle Filters
- 4 - GU-10, 120V 50W, halogen bulbs
- 2 - Utensil Rails
- 2 - Telescopic Duct Covers
- 4 - Telescopic Rods Sets
- 4 - Angle Brackets (27 3/8")
- 4 - Angle Brackets (35 3/8")
- 1 - Ceiling Mounting Bracket
- 1 - Internal Flange
- 1 - Motor Housing

1 - HARDWARE PACKET

- 4 - Couplers
- 4 - Anchors
- 4 - 2" Wood Screws
- 4 - 2 1/2" Wood Screws
- 4 - 1/2" Washers
- 26 - 1/2" Self Tapping Screws
- 4 - 1/2" Screws 5x15mm
- 4 - 5mm Internal Diameter Washers
- 4 - Adhesive Fasteners
- 4 - Cable Ties
- 1 - SMALL HARDWARE PACKET
 - 10 - Short Set Screws
 - 12 - Medium Set Screws
 - 1 - Tool

1 -HARDWARE PACKET FOR ELECTRICAL CONNECTION AND EXTERNAL BLOWER CONNECTION

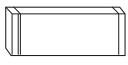


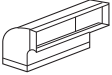
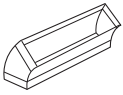

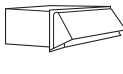
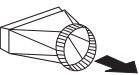
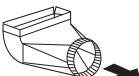


- 1 - External Flange with Attached 8" Collar
- 1 - Junction Box with Wires
- 1 - External Blower Wiring Box with Wires
- 12 - 1/2" Self Tapping Screws
- 1 - Electrical Connection Wiring
- 12 - 4mm Internal Diameter Washers

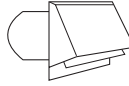

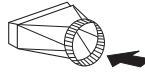
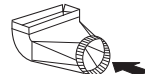
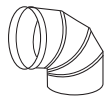

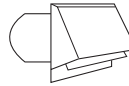

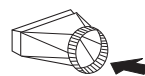
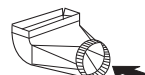
NO DUCTING IS PROVIDED

EXTERNAL AND INTERNAL BLOWER SOLD SEPARATELY

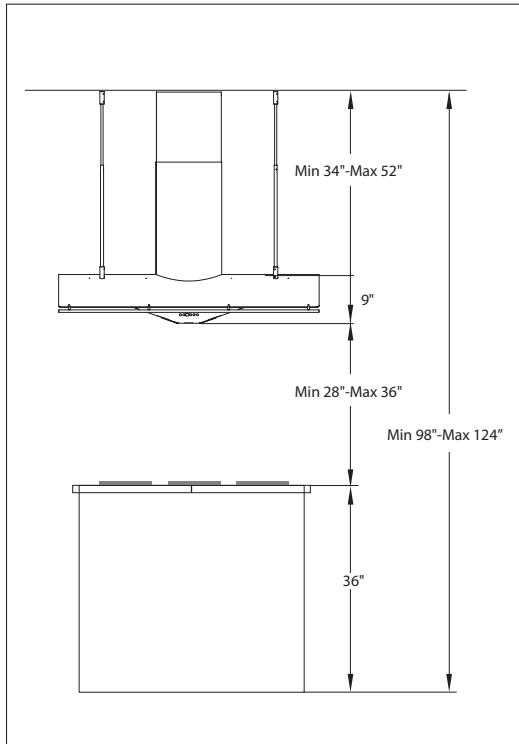
Make sure to remove the protective film off of the hood before installation in order to make removal of the film easier. Be careful not to scratch the stainless steel while installing.

Installation - Ductwork Calculation Sheet

Duct pieces	Equivalent number length x used =	Total
 3 1/4" x 10" Rect., straight	1 Ft. x () =	Ft.
 7" Round, straight	1 Ft. x () =	Ft.
 7" Round, straight	1 Ft. x () =	Ft.
 3 1/4" x 10" Rect. 90° elbow	15 Ft. x () =	Ft.
 3 1/4" x 10" Rect. 45° elbow	9 Ft. x () =	Ft.
 3 1/4" x 10" Rect. 90° flat elbow	24 Ft. x () =	Ft.
 3 1/4" x 10" Rect. wall cap with damper	30 Ft. x () =	Ft.
 3 1/4" x 10" Rect. to 6" round transition	5 Ft. x () =	Ft.
 3 1/4" x 10" Rect. to 6" round transition 90° elbow	15 Ft. x () =	Ft.
 6" Round, 90° elbow	15 Ft. x () =	Ft.
 6" Round, 45° elbow	9 Ft. x () =	Ft.
Subtotal column 1 =		Ft.

Duct pieces	Equivalent number length x used =	Total
 6" Round wall cap with damper	30 Ft. x () =	Ft.
 6" Round, roof cap	30 Ft. x () =	Ft.
 6" round to 3 1/4" x 10" rect. transition	1 Ft. x () =	Ft.
 6" round to 3 1/4" x 10" rect. transition 90° elbow	16 Ft. x () =	Ft.
 7" Round, 90° elbow	15 Ft. x () =	Ft.
 7" Round, 45° elbow	9 Ft. x () =	Ft.
 7" Round wall cap with damper	30 Ft. x () =	Ft.
 7" Round, roof cap	30 Ft. x () =	Ft.
 7" round to 3 1/4" x 10" rect. transition	8 Ft. x () =	Ft.
 7" round to 3 1/4" x 10" rect. transition 90° elbow	15 Ft. x () =	Ft.
Subtotal column 2 =		Ft.
Subtotal column 1 =		Ft.
Total ductwork =		Ft.

Maximum Duct Length: For satisfactory air movement, the total duct length of a 3 1/4" x 10" rectangular, 6" or 7" or 8" diameter round duct should not exceed 100 equivalent feet.



Minimum mount height between range top to hood bottom should be no less than 28".

Maximum mount height should be no higher than 36".

It is important to install the hood at the proper mounting height. Hoods mounted too low could result in heat damage and fire hazard; while hoods mounted too high will be hard to reach and will lose its performance and efficiency.

If available, also refer to range manufacturer's height clearance requirements and recommended hood mounting height above range. Always check your local codes for any differences.

*Minimum ceiling height of 98". Hood mounted at 28" above cooking surface.

**Maximum ceiling height of 124". Hood mounted at 36" above cooking surface.

Minimum Duct Size:

Round - 6" minimum at 600 cfm
 Round - 10" to 8" minimum at 1000 cfm
 Rectangular - 3 1/4" x 10" minimum only if using internal blower at 600 cfm. Using rectangular ductwork will require a transition adapter (not provided, but readily available at most hardware stores).

DUCTING

A minimum of 6" round or 3-1/4 x 10" rectangular duct work must be used to maintain maximum air flow efficiency with the 600 cfm internal blower. A minimum of 10" to 8" round must be used with the 1000 cfm external blower.

Always use rigid type metal duct work only. Flexible ducts could restrict air flow by up to 50%.

Use calculation worksheet to compute total duct work.

ALWAYS, when possible, reduce the number of transitions and turns. If a reducer is used, install a long reducer instead of a pancake reducer. Reduce duct size as far away from opening as possible.

If turns or transitions are required: Install as far away from opening and as far apart, between 2, as possible.

DAMAGE-SHIPMENT/ INSTALLATION:

- Please fully inspect unit for damage before installation.
- If the unit is damaged in shipment, return the unit to the store in which it was bought for repair or replacement.
- If the unit is damaged by the customer, repair or replacement is the responsibility of the customer.
- If the unit is damaged by the installer (if other than the customer), repair or replacement must be made by arrangement between customer and installer.

Installation - Ducting

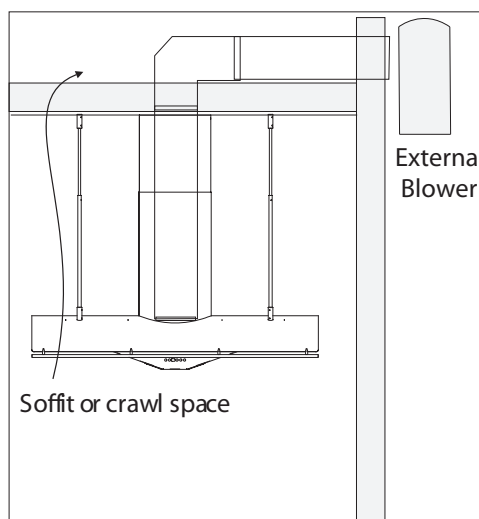
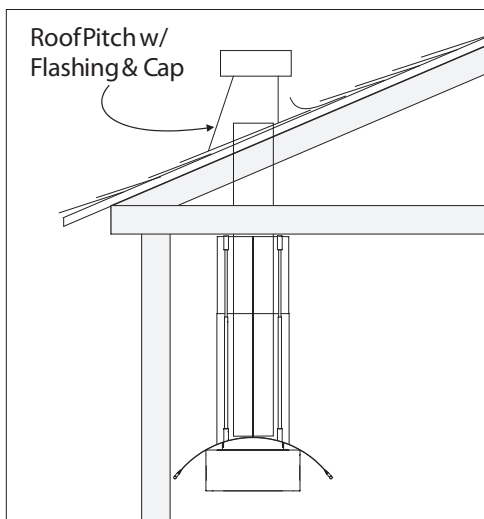
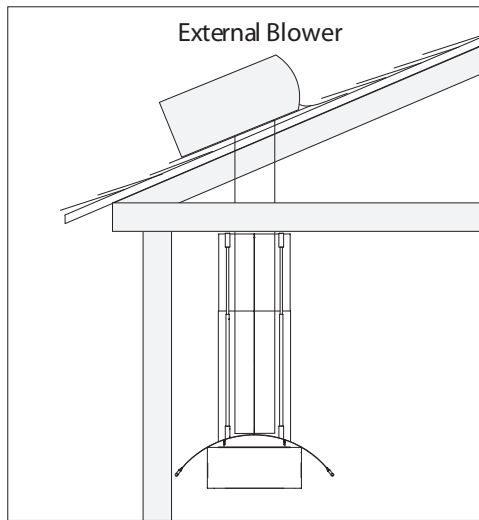
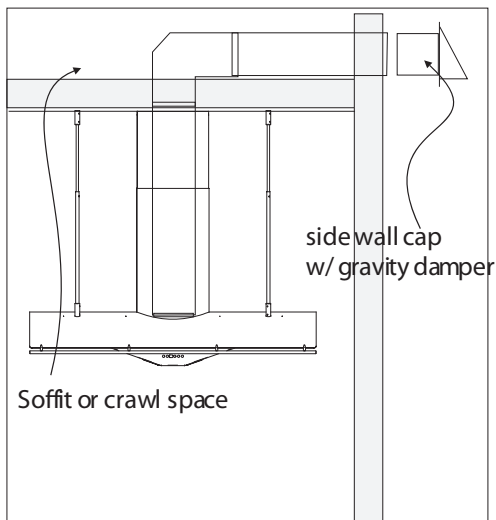
WARNING FIRE HAZARD

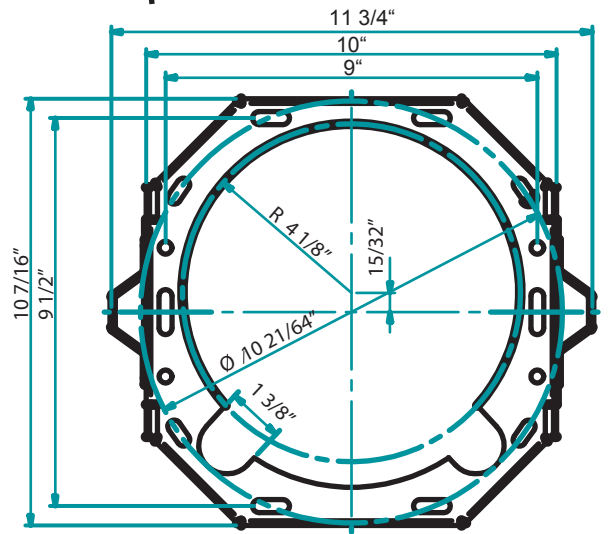
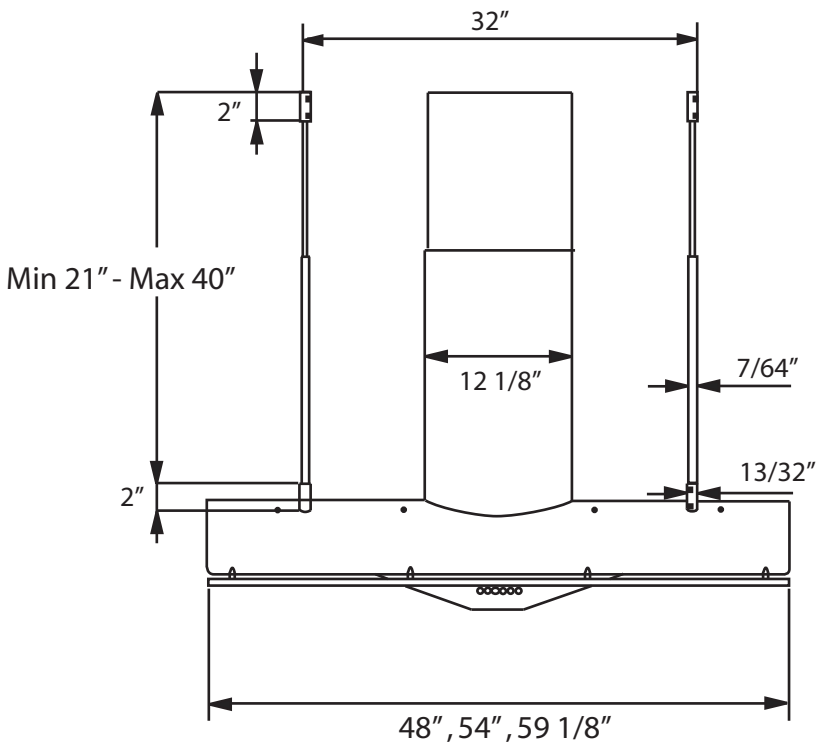
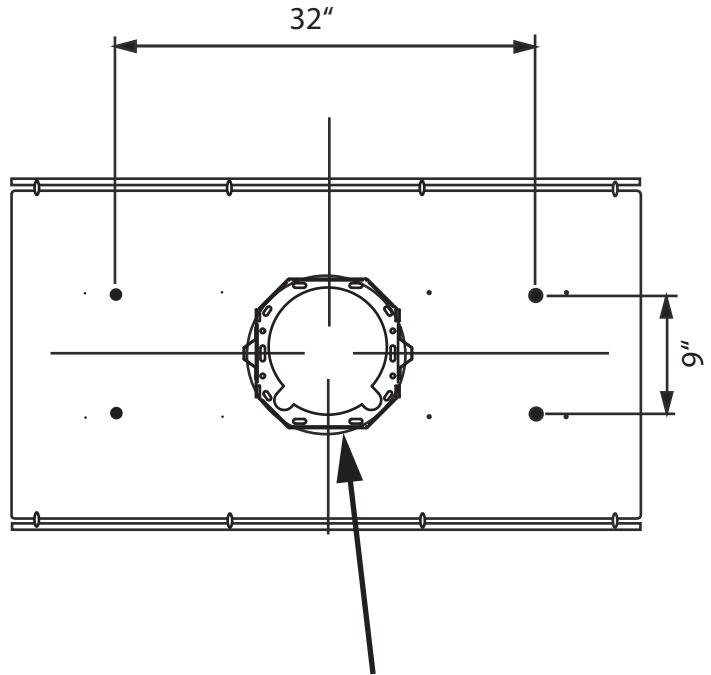
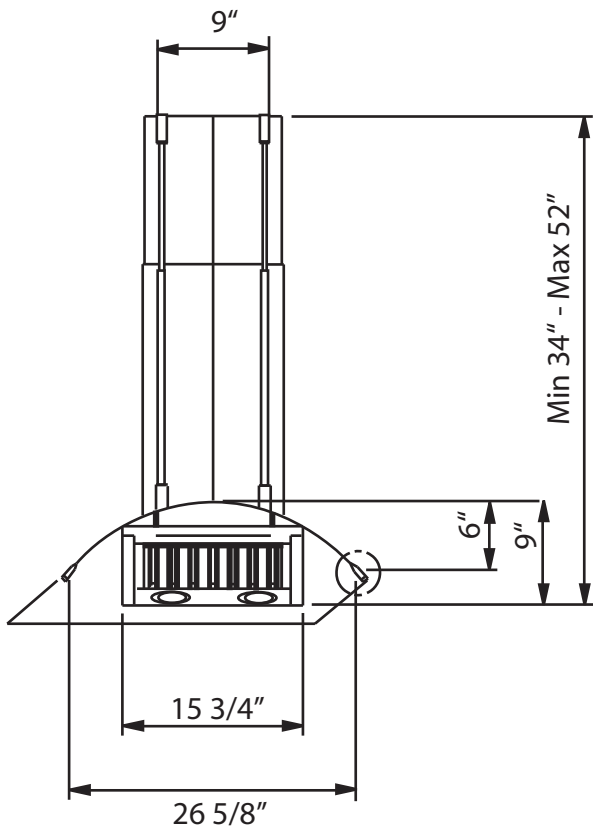
NEVER exhaust air or terminate duct work into spaces between walls, crawl spaces, ceiling, attics or garages. All exhaust must be ducted to the outside.

Use single wall rigid Metal ductwork only.

Fasten all connections with sheet metal screws and tape all joints w/ certified Silver Tape or DuctTape.

Some Ducting Options:





Installation - Specifications

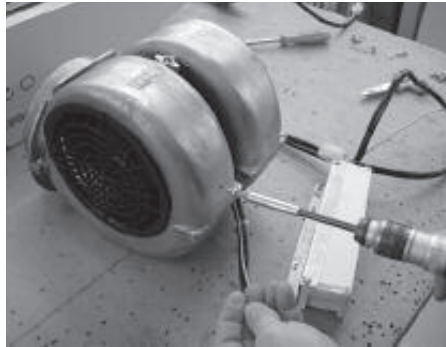
Installation - Internal Blower

ATTENTION

The following are instructions for installing internal blower model CBI-600. For instructions on preparing for external blower model CBE-1000 please turn to page "10". Before installing, verify that motor spins freely.



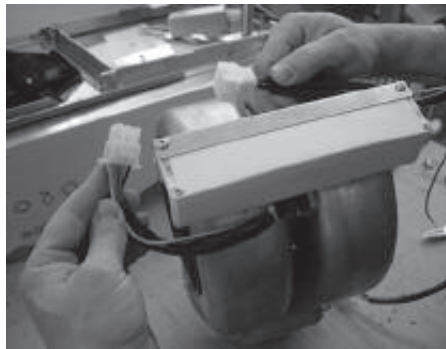
The internal blower kit consists of the blower and capacitor box with wiring.



1. Remove existing screws from blower housing.



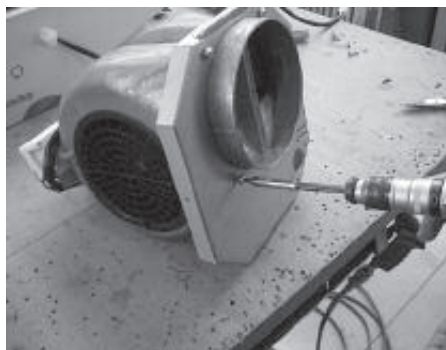
2. Attach capacitor box to blower housing using the removed screws.



3. Attach motor connector to capacitor box connector.



4. Position internal flange over blower housing.



5. Attach (4) 1/2" 5x15mm screws and (4) 10mm washers to hold flange to blower housing.



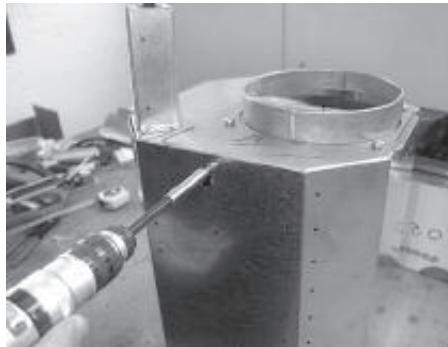
6. Attach junction box to internal flange using provided 1/2" self tapping screws and 4mm internal diameter washers.



7. Attach grounding wires from junction box and motor to grounding screw as shown.



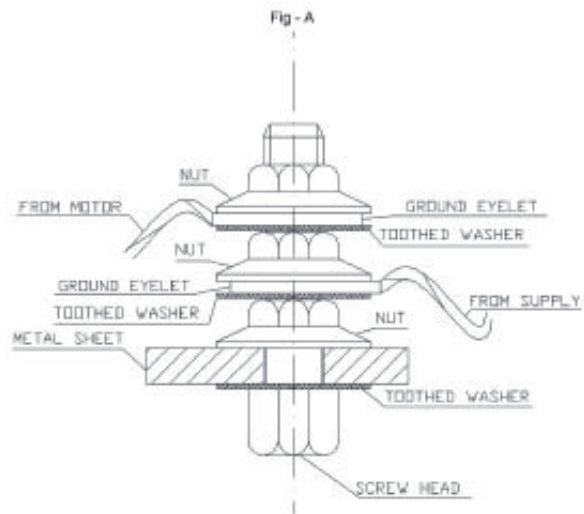
8. Place blower with attached flange into motor housing as shown on Fig-A.



9. Attach using 1/2" self tapping screws to secure in place.



10. Attach other end of capacitor box connector and junction box connector to control board box and wiring box connector inside hood.



Continue to page "11" for hood installation instructions. For external blower installation please refer to the manual included with the external blower.

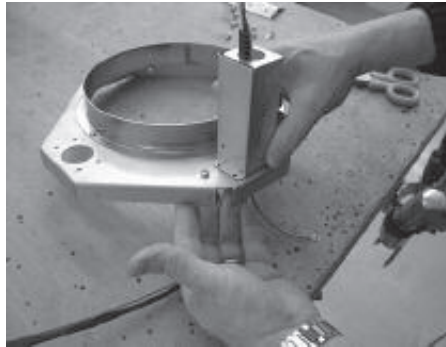
Installation - Preparing Hood for External Blower

ATTENTION

The following are instructions on preparing your hood for installation with external blower model CBE-1000. For instructions on installing internal blower model CBI-600 please turn to page "8".



The external blower kit consists of an 8" collar, external flange and external blower wiring box. The external blower is purchased separately.



1. Position and attach external blower wiring box and junction box using provided 1/2" self tapping screws and 4mm internal diameter washers.



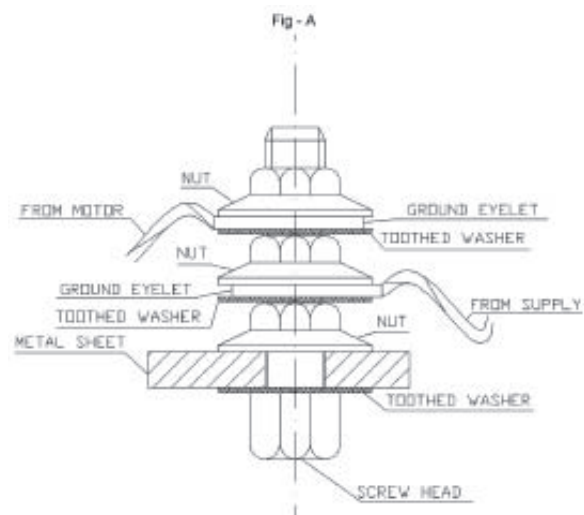
2. Attach grounding wires from external blower wiring box and junction box to grounding screw as shown in Fig-A.

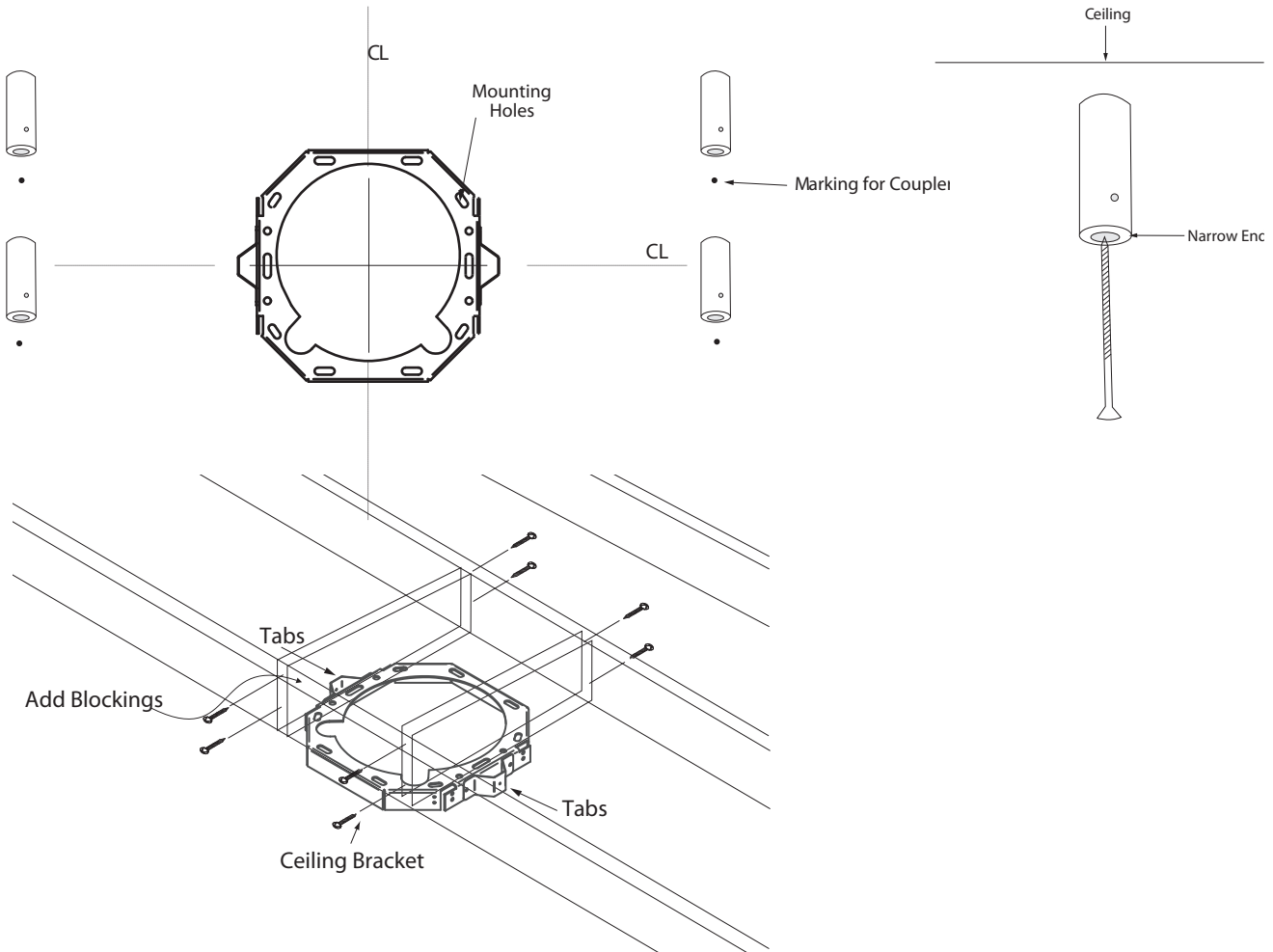


3. Position and attach external flange to motor housing using provided 1/2" self tapping screws.



4. Attach junction box and external blower wiring box connectors to control board and wiring box connectors inside hood.





1. Using the cardboard template from top of box, mark the center point in between the (4) mounting holes. Determine the location for mounting your hood, place template on ceiling and mark/drill the center point for the ceiling mounting bracket and the four corner holes where the telescopic rod couplers will attach to the ceiling.
2. Cut out hole for the duct work.
3. Add and secure wood blockings (minimum 2x4 studs) to ceiling joists.
4. Center, mark and fasten ceiling mounting plate onto ceiling where hood is to be hung. Make sure the tabs on the ceiling bracket are positioned to the sides as shown in the diagram. The duct covers will attach to these tabs.
5. Attach couplers to marked corners of ceiling using the provided 2 1/2" wood screws. Make sure the narrow opening of the coupler is facing down.
6. Position electrical wiring and duct work.

ELECTRICAL - WARNING

All Electrical work must be performed by qualified electrician or person with similar technical know how and background.

For personal safety, remove house fuse or open circuit breaker before beginning installation.

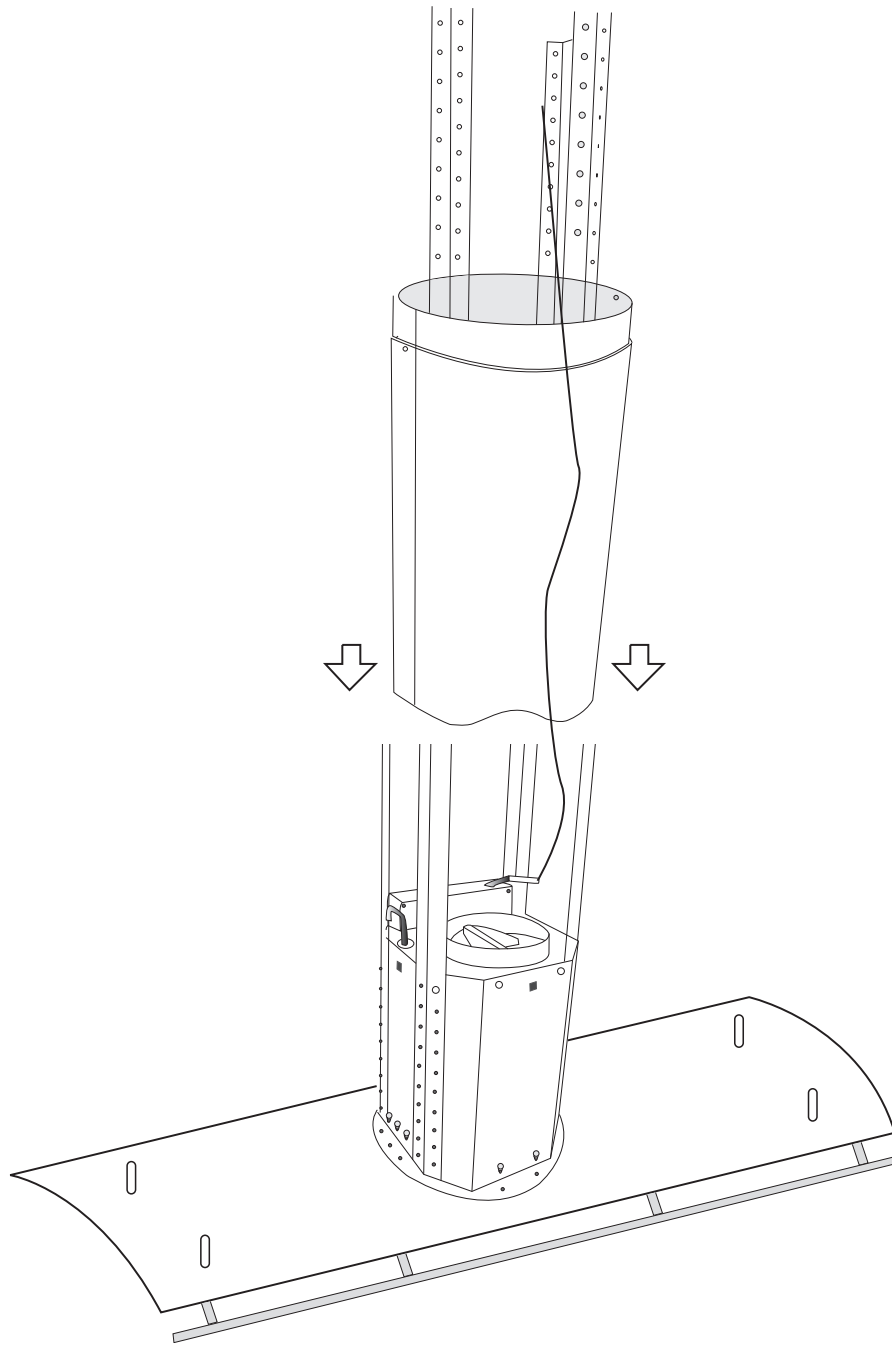
Do not use extension cord or adapter plug with this appliance.

Follow National Electrical Codes or prevailing local codes and ordinances.

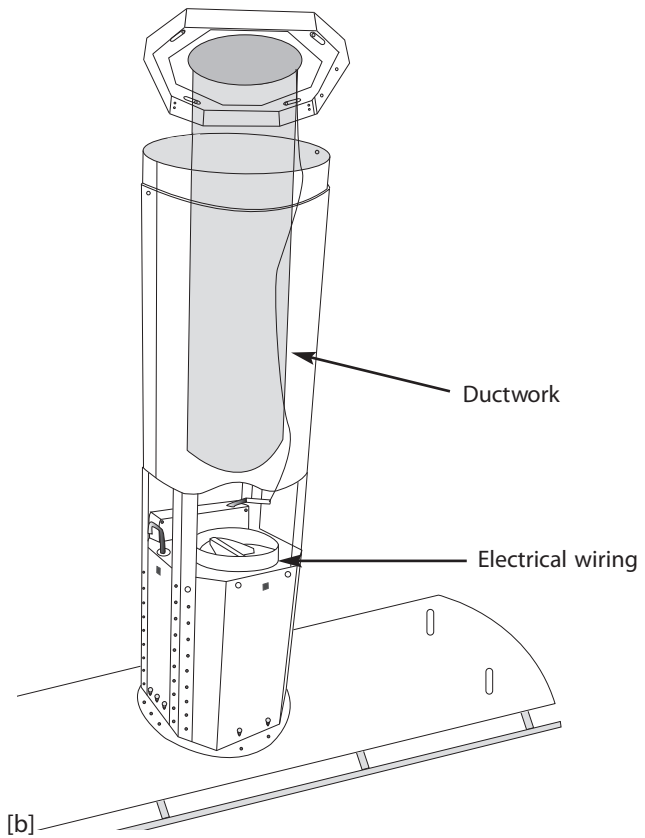
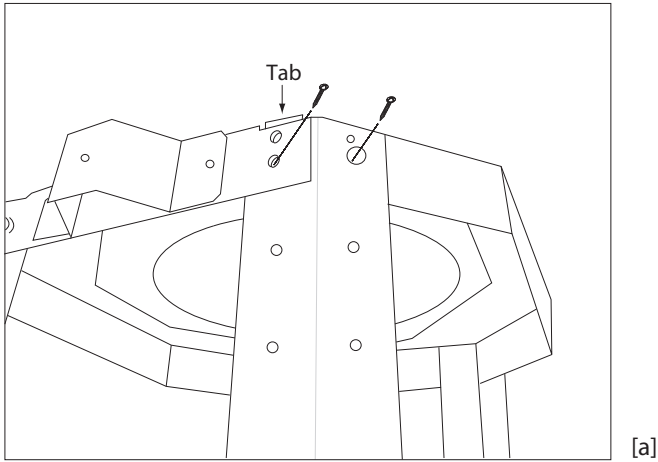
Electrical Supply:

This appliance requires a 120V 60Hz electrical supply, and connected to an individual, properly grounded branch circuit, protected by a 15 or 20 ampere time delay circuit breaker. Wiring must be 2 wire with ground. Please refer to label placed on junction box.

Installation - Mounting the Hood



1. Mount motor housing to the range hood body using (10) 1/2" self tapping screws.
2. Determine height of hood, measure and select either 27 3/8" or 35 3/8" angle brackets and attach (4) of them to the motor housing using (8) 1/2" self tapping screws (2) for each angle bracket.
3. Slide duct covers over motor housing. Make sure bottom duct cover with cut-out is facing the front and back of the hood.

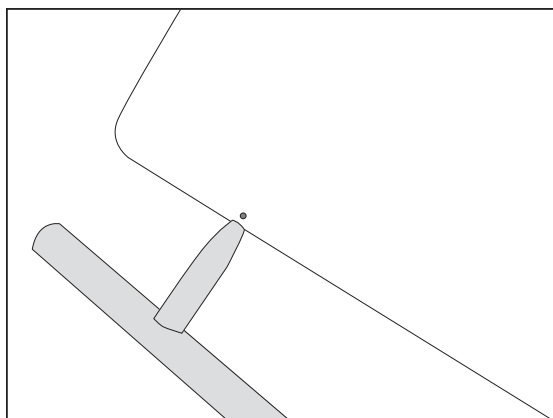
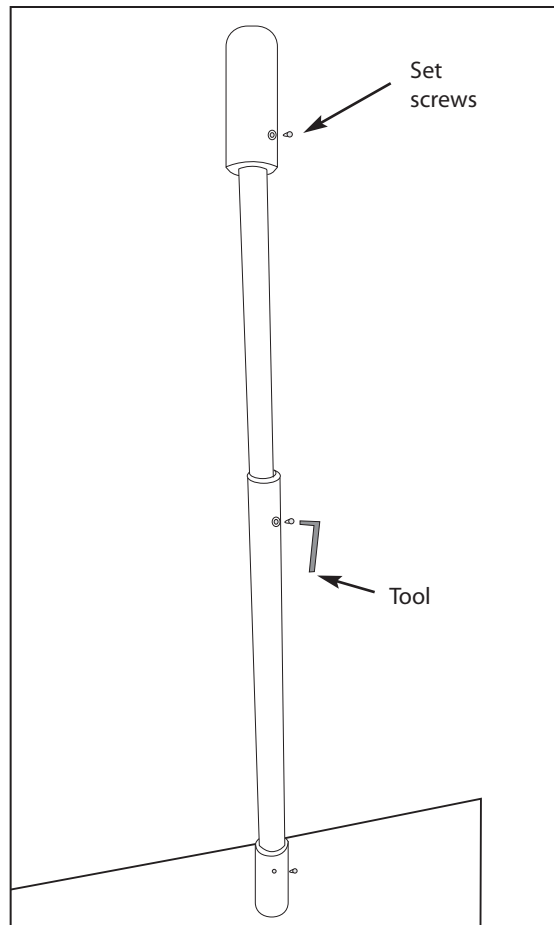


5. Lift assembled unit and attach all (4) angle brackets to ceiling bracket. Make sure the tabs on each angle brackets are facing the outside. The angle brackets will fit between the slots on the ceiling bracket. One half of the angle bracket will be on the outside of the ceiling bracket and the other half will be on the inside of the ceiling bracket. Attach using provided 1/2" self tapping screws. Refer to diagram [a].
6. Slide duct covers up and attach duct work and electrical wiring to top of motor housing. Refer to diagram [b].

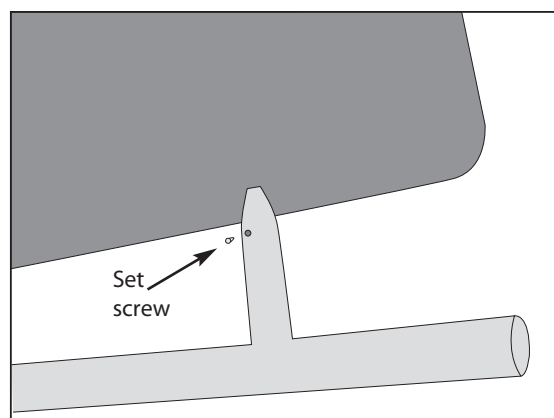
Installation - Mounting the Hood

Telescopic Rod Installation

1. Install telescopic rod (thicker end down) into coupler on top of hood and secure with medium set screw. Attach screw using provided tool.
2. Extend telescopic rod towards the ceiling and insert thin end of rod into ceiling coupler. Attach a medium set screw in the middle where the two rods attach to each other.
3. Attach medium set screw into the ceiling coupler to secure it in place. Repeat these steps for each telescopic rod.



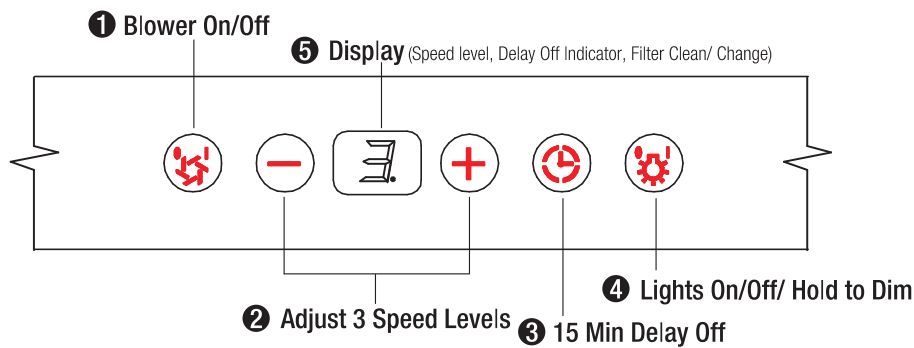
Front



Back

Utensil Rail Installation



1. Attach utensil rail to long side of hood canopy. A small hole has been pre-drilled into the canopy to provide a starting point to attach the first utensil rail post. After the first post is line up with the hole, gently slide the rest of the rail onto canopy. (note: be careful not to scratch the stainless steel when performing this step, this is why there is a starter hole).
2. Attach a short set screw into each post in order to hold utensil rail onto canopy. Do the same for the other side.





1. Blower On/Off

By pressing , the blower is switched On and Off.

2. Speed Selection

The 3 speed levels are selected by pressing  to decrease and  to increase speed level. The display indicates level selected.

3. Delay Off

This is used for programmed shut down of blower and lights 15 minutes after the function is activated. Press  once, a dot flashes in the lower right hand side of display  indicating the function is on. The hood will completely shut down in 15 minutes.

4. Lights On/Off/Dim

Switch lights On and Off by pressing key  once. To dim lights, press  again.


5. Advance Display Functions

Filters Clean Reminder (Baffle):


After every 30 hours of use, the display will start flashing an  reminding you to clean the baffle filters from residue and possible clogs.

The standard Baffle Filters are required to be cleaned frequently and as recommended in order to maintain blower efficiency. If improperly maintained, residue from cooking will sift through filters and cause damage to hood blowers and other sensitive components; and possibly clog duct work and create a fire hazard.


Filter Clean Reminder (Standard Baffle Filters fitted):

A set of baffle filters are fitted by the factory. These Baffle Filters are intended to filter out residue from cooking. They need not be replaced on a regular basis but are required to be kept clean. The Filter Clean Reminder function in the microprocessor will automatically indicate by a  flashing when the metal filters need to be cleaned after every 30 hrs. of use. Filters can be cleaned by hand with non-abrasive soap or in a dishwasher.




Filter Clean Reminder:

When  flashes on display, the baffle filters installed are required to be cleaned. This will occur after every 30 hours of use.

| Clean Filters |

display <A> flashes


Re-setting Function:

Reset the Filter Clean Reminder timer when filters are cleaned and re-installed (with hood off). Press and hold  for approx. 5 seconds, the display will appear; hold for approximately 5 seconds until  on display disappears  The Filter Clean Reminder function is now re-set and a new 30 hours elapse cycle is initiated.

| To Reset |

hold 5 secs.  display from <C> to < >
 

Maintenance - Cleaning

Surface Maintenance:

Clean periodically with hot soapy water and clean cotton cloth. Do not use corrosive or abrasive detergent , or steel wool/scouring pads which will scratch and damage surface.

For heavier soil use liquid degreaser.

After cleaning, you may use non-abrasive stainless steel polish/ cleaners, to polish and buff out the stainless luster and grain. Always scrub lightly, with clean cotton cloth, and with the grain.

Do not use any product containing chlorine bleach. Do not use "orange" cleaners.

Baffle Filters

The Metal Filters fitted by the factory are intended to filter out residue and grease from cooking. They need not be replaced on a regular basis but are required to be kept clean.

Filters should be cleaned after every 30 hours of use. Use the Filter Clean Reminder function on the controls to determine when filters require cleaning.

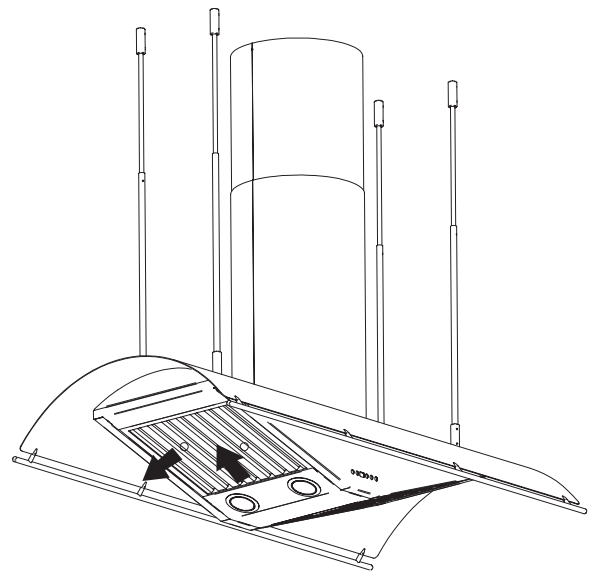
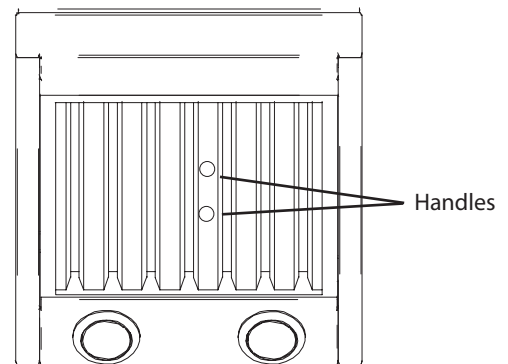
Remove and clean by hand or in dishwasher. Spray degreasing detergent and leave to soak if heavily soiled.

Remove filters by sliding away from center of hood and pulling down.

Dry filters and re-install before using hood.

Replacing Baffle Filters

Should filters wear out due to age and prolonged use, contact Zephyr to purchase replacements.



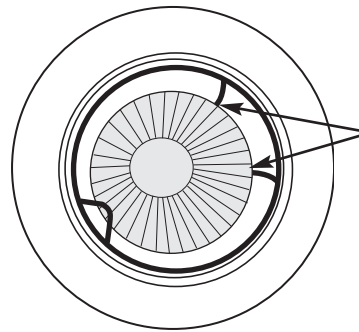
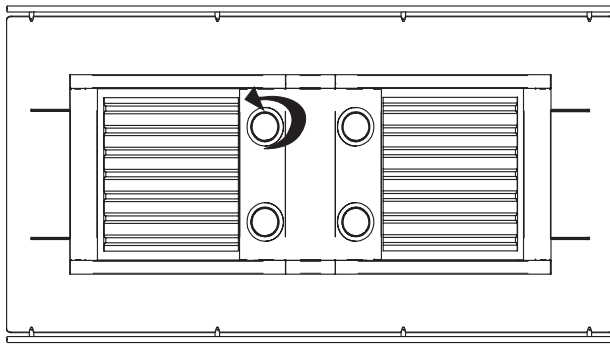
Replacing Light Bulbs:

CAUTION: Light bulbs become extremely hot when turned on. DO NOT touch bulbs until switched off and cooled. Touching hot bulbs may cause serious burns.

Make sure all power is turned off and bulbs are not hot.

Remove bulb by pressing both ends of the metal retaining clip together, the light socket will now extend from the hood allowing you to remove the bulb (Be careful when releasing retaining clip as it is under pressure to hold it in place)

Replacement bulbs are available at most stores which sell light bulbs. Purchase type GU-10, 120V, 50W.



Press together to release clip

Trouble Shooting

Issue	Cause	What to do
After installation, the unit doesn't work?	1. The power source is not turned ON.	1. Make sure the circuit breaker and the unit's power is ON.
	2. The power line and the cable locking connector is not connecting properly.	2. Check the power connection with the unit is connected properly.
	3. The switch board and control board wirings are disconnected.	3. Make sure the wirings between the switch board and control board are connected properly.
	4. On the switch board, Black/White wire or White wire is disconnected.	4. Make sure the Black/White wire or White wire connects properly.
	5. The switch board or control board is defective.	5. Change the switch board or control board.
Light works, but motor is not turning.	1. The motor is defective, possible seized.	1. Change the motor.
	2. The thermally protected system detects if the motor is too hot to operate and shuts the motor down.	2. The motor will function properly after the thermally protected system cool down.
	3. Damaged capacitor.	3. Change the capacitor.
The unit is vibrating.	1. The motor is not secure in place.	1. Tighten the motor in place.
	2. Damaged blower wheel/makes noise.	2. Change the motor.
	3. The hood is not secured in place.	3. Check the installation of the hood.
The motor is working, but the lights are not.	1. Defective halogen bulb.	1. Change the halogen bulb.
	2. The light bulb is loose.	2. Tighten the light bulb.
The hood is not venting out properly.	1. The hood might be hanging too high from the cook top.	1. Adjust the distance between the cook top and the bottom of the hood within 24" and 32" range.
	2. The wind from the opened windows or opened doors in the surrounding area are affecting the ventilation of the hood.	2. Close all the windows and doors to eliminate the outside wind flow.
	3. Blocking in the duct opening or ductwork.	3. Remove all the blocking from the duct work or duct opening.
	4. The direction of duct opening is against the wind.	4. Adjust the duct opening direction.
	5. Using the wrong size of ducting.	5. Change the ducting to at least 6" or higher for the internal blower and 8" or higher for the external blower.
Filter is vibrating.	1. Baffle filter is loose.	1. Remove filter and reinstall it or change the baffle filter.
After hood has been installed for a period of time, it stopped working.	1. Control board needs to be reset.	1. Turn circuit breaker which controls the hood off for at least 15 minutes. Turn it back on and this should fix the problem.
	1. Defective control board.	1. Replace control board.

List of Parts and Accessories

Part Description	Part #
Halogen Bulb GU-10, 120V, 50W	Z0B-0020

Accessory Description	Part #
Internal Blower, 600 cfm	CBI-600
External Blower, 1000 cfm	CBE-1000
Duct Cover Extension Kit	Z1C-00TP