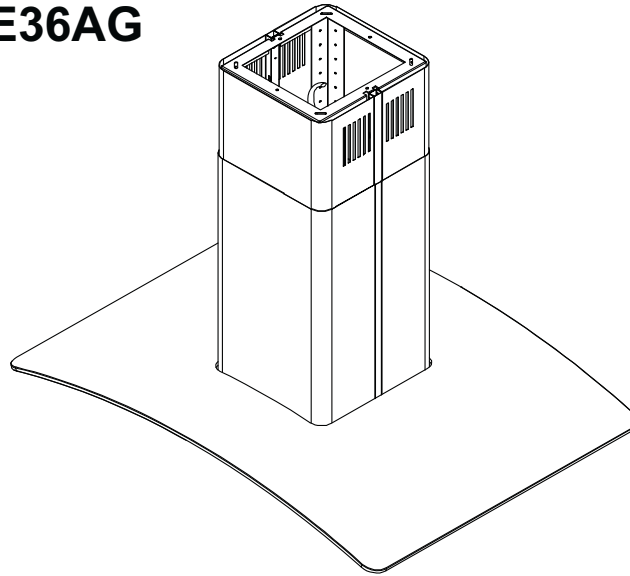


Use, Care, and Installation Guide

BML-E36AG



Model number: _____
Serial Number: _____

NOV10.0201



SAFETY NOTICE 2-3

LIST OF MATERIALS 4

INSTALLATION

 Ducting Calculation Sheet 5

 Mounting Height & Clearance 6

 Ducting Options 7

 Hood Specifications 8

 Mounting the Hood 9-11

 Ductless Recirculating 12

FEATURES & CONTROLS

 Mechanical Controls 13

MAINTENANCE

 Hood and Filter Cleaning 14

 Lights 15

TROUBLESHOOTING 16

WIRING DIAGRAMS 17

LIST OF PARTS AND ACCESSORIES 18

READ AND SAVE THESE INSTRUCTIONS

WARNING

TO REDUCE THE RISK OF FIRE OR ELECTRIC SHOCK, DO NOT USE THIS FAN WITH ANY SOLID-STATE CONTROL DEVICE.

WARNING

TO REDUCE THE RISK OF FIRE ELECTRIC SHOCK, OR INJURY TO PERSONS, OBSERVE THE FOLLOWING:

- a. Use this unit only in the manner intended by the manufacturer, if you have questions, contact the manufacturer.
- b. Before servicing or cleaning unit, switch power off at service panel and lock panel to prevent power from being switched on accidentally. When the service disconnecting means cannot be locked, securely fasten a prominent warning device, such as a tag, to the service panel.

CAUTION

For general ventilating use only. Do not use to exhaust hazardous or explosive materials and vapors. Take care when using cleaning agents or detergents. Suitable for use in household cooking area.

WARNING

TO REDUCE THE RISK OF RANGE TOP GREASE FIRE:

- a. Never leave surface units unattended at high settings. Boilovers cause smoking and greasy spillovers that may ignite. Heat oils slowly on low or medium settings.
- b. Always turn hood ON when cooking at high heat or when flaming food
- c. Clean ventilating fans frequently. Grease should not be allowed to accumulate on fan or filter.
- d. Use proper pan size. Always use cookware appropriate for the size of the surface element.
- e. Keep fan, filters and grease laden surfaces clean.
- f. Use high setting on hood only when necessary.
- g. Don't leave hood unattended when cooking.
- h. Always use cookware and utensils appropriate for the type of and amount of food being prepared.

WARNING

TO REDUCE THE RISK OF INJURY TO PERSONS IN THE EVENT OF A RANGE TOP FIRE, OBSERVE THE FOLLOWING:

- a. SMOTHER FLAMES with a close-fitting lid, cookie sheet, or metal tray, then turn off the burner. BE CAREFUL TO PREVENT BURNS. If the flames do not go out immediately, EVACUATE AND CALL THE FIRE DEPARTMENT.
- b. NEVER PICK UP A FLAMING PAN – You may be burned.
- c. DO NOT USE WATER, including wet dishcloths or towels – a violent steam explosion will result.
- d. Use an extinguisher ONLY if:
 - 1. You know you have a Class ABC extinguisher, and you already know how to operate it.
 - 2. The fire is small and contained in the area where it started.
 - 3. The fire department is being called.
 - 4. You can fight the fire with your back to an exit

WARNING

TO REDUCE THE RISK OF FIRE, ELECTRIC SHOCK OR INJURY TO PERSONS, OBSERVE THE FOLLOWING:

- a. Installation work and electrical wiring must be done by qualified person(s) in accordance with all applicable codes and standards. Including fire-rated construction.
- b. Sufficient air is needed for power combustion and exhausting of gases through the flue (chimney) of fuel burning equipment to prevent back-drafting. Follow the heating equipment manufacturer's guideline and safety standards such as those published by the National Fire Protection Association (NFPA) and the American Society for Heating, Refrigeration and Air Conditioning Engineers (ASHRAE) and the local code authorities.
- c. When cutting or drilling into wall or ceiling, do not damage electrical wiring and other hidden utilities.
- d. Ducted fans must always vent to the outdoors.
- e. If this unit is to be installed over a tub or shower, it must be marked as appropriate for the application and be connected to a GFI (Ground Fault Interrupter protected branch circuit).
- g. NEVER place a switch where it can be reached from a tub or shower.
- h. Make sure the power is off before installing, wiring or maintenancing.

WARNING

TO REDUCE THE RISK OF FIRE, USE ONLY METAL DUCTWORK.
NOT FOR USE IN OUTDOOR COOKING ENVIRONMENTS.

CAUTION

To reduce risk of fire and to properly exhaust air outside - Do not vent exhaust air into spaces within walls, ceilings, attics, crawl spaces or garages.

OPERATION

Always leave safety grilles and filters in place. Without these components, operating blowers could catch onto hair, fingers and loose clothing.

The manufacturer declines all responsibility in the event of failure to observe the instructions given here for installation, maintenance and suitable use of the product. The manufacturer further declines all responsibility for injury due to negligence and the warranty of the unit automatically expires due to improper maintenance.

***NOTE: Please check www.brisasventilation.com for revisions before doing any custom work.**

ELECTRICAL REQUIREMENTS

Important:

Observe all governing codes and ordinances.

It is the customer's responsibility:

- To contact a qualified electrical installer.
- To assure that the electrical installation is adequate and in conformance with National Electrical Code, ANSI/NFPA 70 latest edition* or CSA standards C22.1-94, Canadian Electrical Code, Part 1 and C22.2 No.0-M91 - latest edition** and all local codes and ordinances.

If codes permit and a separate ground wire is used, it is recommended that a qualified electrician determine that the ground path is adequate.

Do not ground to a gas pipe.

Check with a qualified electrician if you are not sure the range hood is properly grounded.

Do not have a fuse in the neutral or ground circuit.

*National Fire Protection Association Batterymarch Park, Quincy, Massachusetts 02269

** CSA International 8501 East Pleasant Valley Road, Cleveland, Ohio 44131-5575

This appliance requires a 120V 60Hz electrical supply and connected to an individual properly grounded branch circuit protected by a 15 or 20 ampere circuit breaker or time delay fuse. Wiring must be 2 wire with ground. Please also refer to Electrical Diagram on product.

A cable locking connector (not supplied) might also be required by local codes. Check with local requirements, purchase and install appropriate connector if necessary.

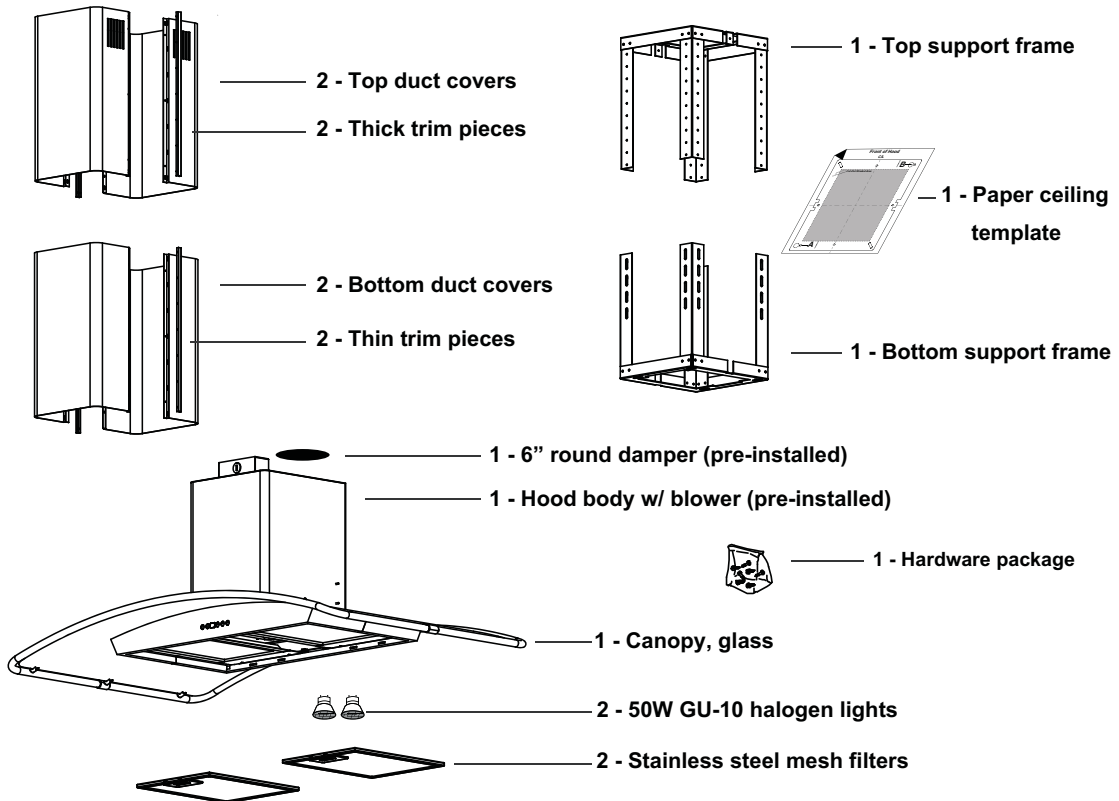
BML 600 CFM models - MAX 400 Watts, 3.3 Amps

BML 290 CFM models - MAX 171 Watts, 1.5 Amps

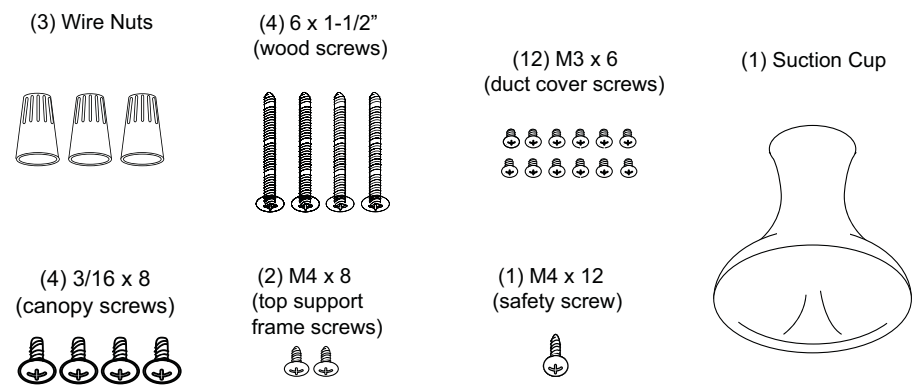
List of Materials

MODELS: BML-E36AG

PARTS SUPPLIED



HARDWARE PACKAGE CONTENTS



PARTS NOT SUPPLIED

- Ducting, conduit and all installation tools
- Cable connector (if required by local codes)
- Duct cover extension accessory
- Recirculating kit accessory

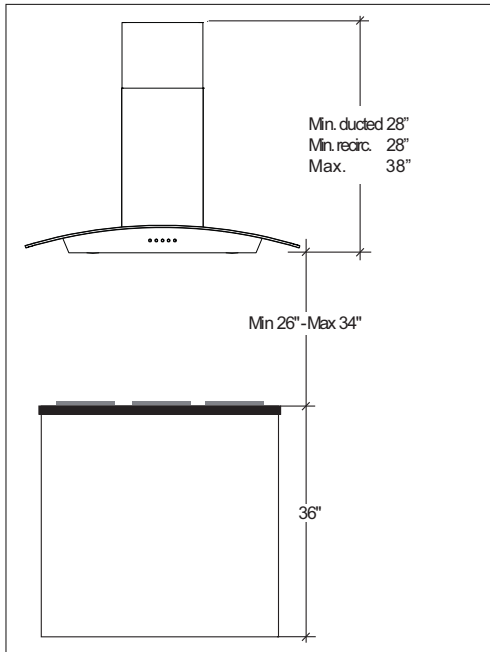
Installation – Ducting Calculation Sheet

| Duct pieces | | Equivalent number length x used = | Total |
|---------------------|---|-----------------------------------|-------|
| | 3-1/4" x 10" Rect., straight | 1 Ft. x () = | Ft. |
| | 7" Round, straight | 1 Ft. x () = | Ft. |
| | 8" Round, straight | 1 Ft. x () = | Ft. |
| | 3-1/4" x 10" Rect. 90° elbow | 15 Ft. x () = | Ft. |
| | 3-1/4" x 10" Rect. 45° elbow | 9 Ft. x () = | Ft. |
| | 3-1/4" x 10" Rect. 90° flat elbow | 24 Ft. x () = | Ft. |
| | 3-1/4" x 10" Rect. wall cap with damper | 30 Ft. x () = | Ft. |
| | 3-1/4" x 10" Rect. to 6" round transition | 5 Ft. x () = | Ft. |
| | 3-1/4" x 10" Rect. to 6" round transition 90° elbow | 20 Ft. x () = | Ft. |
| | 6" Round, 90° elbow | 15 Ft. x () = | Ft. |
| | 6" Round, 45° elbow | 9 Ft. x () = | Ft. |
| Subtotal column 1 = | | | Ft. |

| Duct pieces | | Equivalent number length x used = | Total |
|---------------------|---|-----------------------------------|-------|
| | 6"- 8" Round wall cap with damper | 30 Ft. x () = | Ft. |
| | 6"- 8" Round, roof cap | 30 Ft. x () = | Ft. |
| | 6" round to 3-1/4" x 10" rect. transition | 1 Ft. x () = | Ft. |
| | 6" round to 3-1/4" x 10" rect. transition 90° elbow | 16 Ft. x () = | Ft. |
| | 7" or 8" Round, 90° elbow | 15 Ft. x () = | Ft. |
| | 7" or 8" Round, 45° elbow | 9 Ft. x () = | Ft. |
| | 7" or 8" Round wall cap with damper | 30 Ft. x () = | Ft. |
| | 7" or 8" Round, roof cap | 30 Ft. x () = | Ft. |
| | 7" round to 3 1/4" x 10" rect. transition | 8 Ft. x () = | Ft. |
| | 7" round to 3-1/4" x 10" rect. transition 90° elbow | 23 Ft. x () = | Ft. |
| Subtotal column 2 = | | | Ft. |
| Subtotal column 1 = | | | Ft. |
| Total ductwork = | | | Ft. |

Maximum Duct Length: For satisfactory air movement, the total duct length of a 3 1/4" x 10" rectangular 6" or 7" diameter round duct should not exceed 100 equivalent feet.

Installation – Mounting Height & Clearance



DUCTING

A minimum of 6" round duct must be used to maintain maximum air flow efficiency.

Always use rigid type metal ducts only. Flexible ducts could restrict air flow by up to 50%.

Use calculation worksheet to compute total duct work (Page 5).

ALWAYS, when possible, reduce the number of transitions and turns. If a long duct run is required, increase duct size from 6" to 7" or 8".

If turns or transitions are required: Install as far away from duct opening and as far apart between the two transitions as possible.

Minimum mount height between range top to hood bottom should be no less than 26".

Maximum mount height should be no higher than 34".

It is important to install the hood at the proper mounting height. Hoods mounted too low could result in heat damage and fire hazard; while hoods mounted too high will be hard to reach and will lose its performance and efficiency.

If available, also refer to range manufacturer's height clearance requirements and recommended hood mounting height above range. Always check your local codes for any differences.

Duct cover extension kit available for ceiling heights up to 12 feet. Turn to page 17 for part number and ordering information.

DAMAGE-SHIPMENT / INSTALLATION:

- Please fully inspect unit for damage before installation.
- If the unit is damaged in shipment, return the unit to the store in which it was bought for repair or replacement.
- If the unit is damaged by the customer, repair or replacement is the responsibility of the customer.
- If the unit is damaged by the installer (if other than the customer), repair or replacement must be made by arrangement between customer and installer.

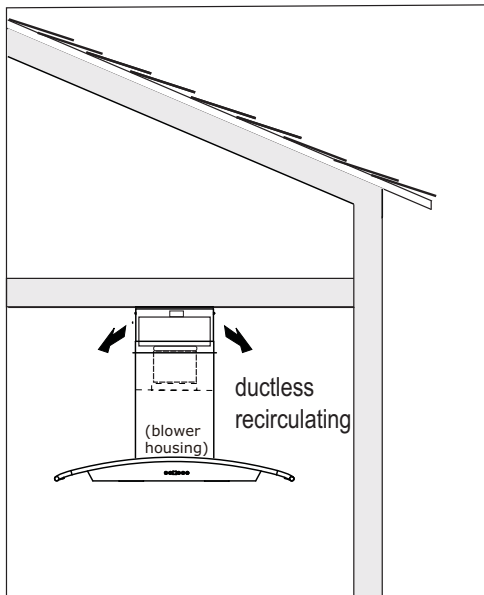
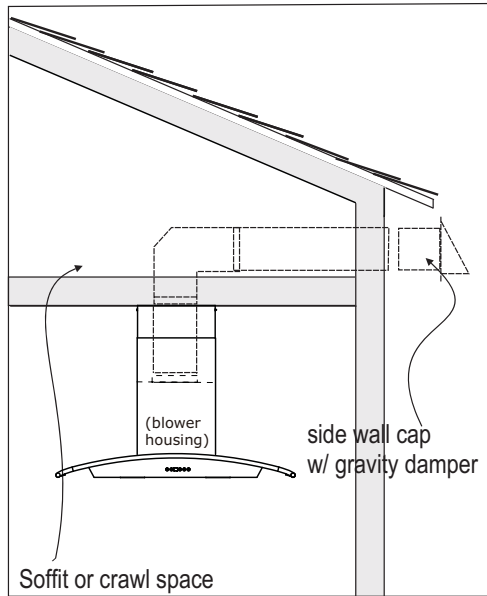
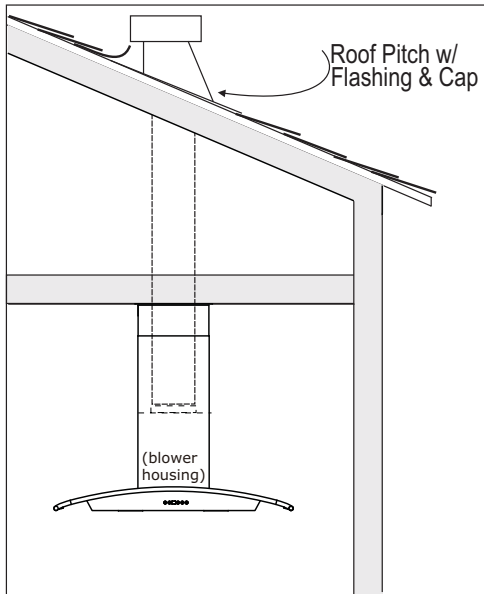
WARNING FIRE HAZARD

NEVER exhaust air or terminate duct work into spaces between walls, crawl spaces, ceiling, attics or garages. All exhaust must be ducted to the outside, unless using the recirculating option.

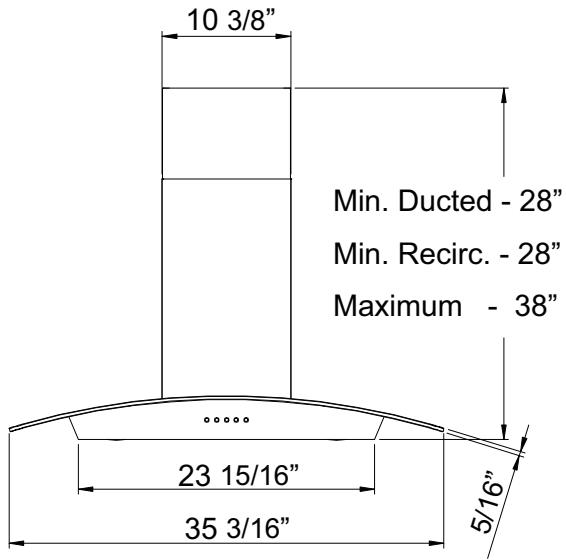
Use single wall rigid Metal ductwork only.

Fasten all connections with sheet metal screws and tape all joints w/ certified Silver Tape or Duct Tape.

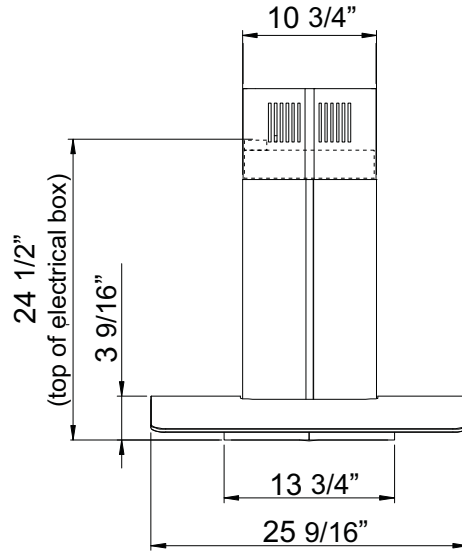
Some Ducting Options



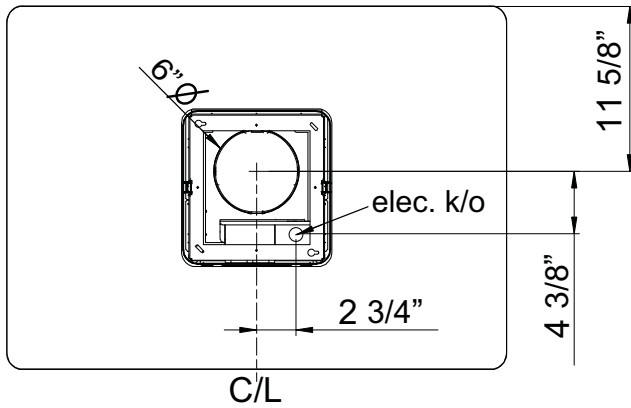
Installation – Hood Specifications



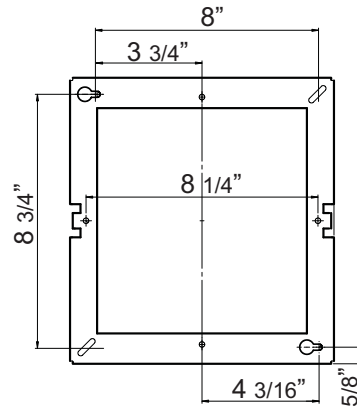
FRONT



SIDE



TOP of HOOD



**TOP SUPPORT FRAME
(top view)**

⚠ WARNING: Electrical wiring must be done by a qualified person(s) in accordance with all applicable codes and standards. This range hood must be properly grounded. Turn off electrical power at service entrance before wiring.

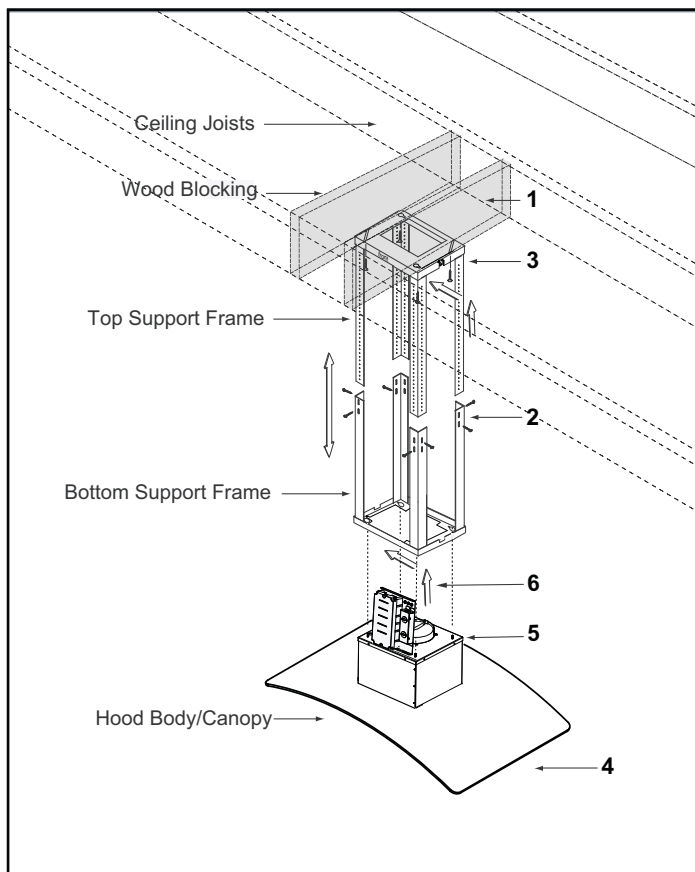


FIG. A

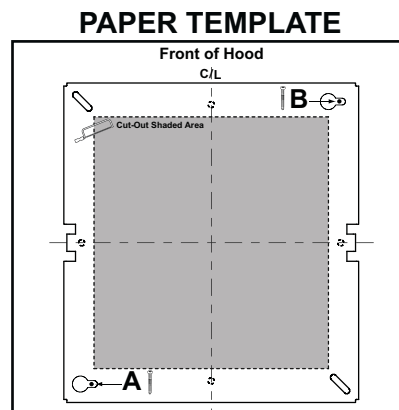


FIG. B

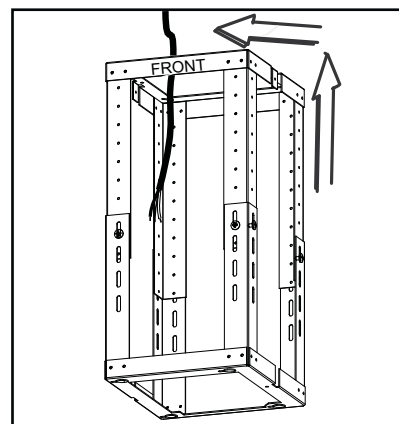


FIG. C

Hood is intended to be mounted to a finished ceiling.

- 1. Ceiling Preparation:** Determine hood mounting location and temporarily tape paper template (included with the hood) to the ceiling. Cut-out internal shaded area of template to allow the ducting and electrical to pass through (approx. 7"W x 7-1/2"D). Add wood blocking (min. 2" x 4") onto ceiling joists to reinforce ceiling above the drywall. (FIG. A, #1) Secure (2) 1-1/2" wood screws into points A and B of the paper template (FIG. B). Do not completely tighten screws, leave approx. 1/4" exposed.
- 2. Hood Preparation:** Remove screws securing top and bottom support frames together. Adjust support frame to accommodate the desired hood height and re-assemble the frame using the previously removed screws (2 screws for each support frame arm). (FIG. A, #2)
- 3.** Lift support frame assembly up to the ceiling making sure the the word "front" on the top support frame faces the front of the hood where the controls will be located (FIG. C). The key-holes on the top support frame should cover the wood screws previously installed in the ceiling. Slide support frame towards narrow end of key-holes to lock the frame in place.
- 4.** Install the last (2) 1-1/2" wood screws into the two remaining corners of the top support frame to secure it to the ceiling. Tighten all screws.

Installation – Mounting the Hood

⚠ CAUTION: At least two installers are required due to the weight and size of the hood.

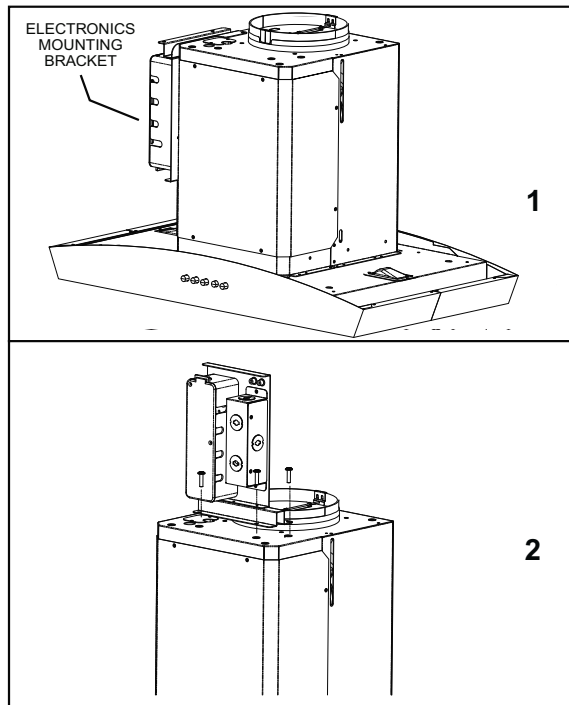


FIG. D

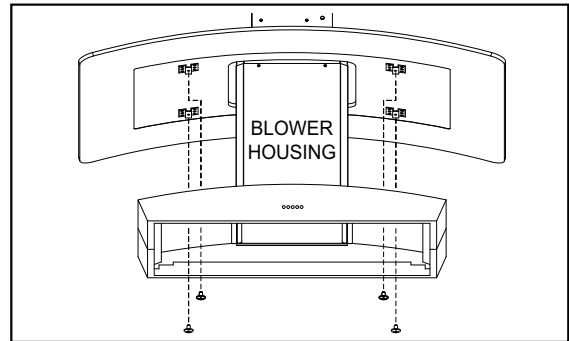


FIG. E

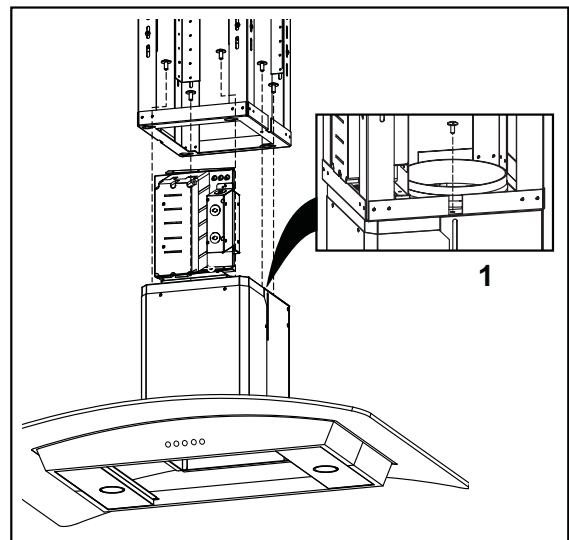


FIG. F

5. Remove tape securing electronics mounting bracket to hood. (FIG. D, #1) Remove (3) screws from top of hood body and set screws aside. Position electronics mounting bracket as show in (FIG. D, #2) and secure to hood body using the (3) previously removed screws.
6. Remove stainless steel mesh filters from hood. Place canopy over blower housing located on top of hood and secure it to hood body using (4) 3/16" x 8 screws.(FIG E)
7. Lift hood body and align the (4) pre-installed mounting screws on top of blower housing (FIG. A, #5 on Page 9) with the (4) key holes on the bottom of the support frame. (FIG. F) Slide hood towards the narrow end of key holes to lock in place. Hand tighten each of the (4) screws to secure hood to bottom of support frame. Install (1) 4mm x 12mm long safety screw into bottom support frame to further secure the hood. (FIG. F, #1) Reinstall mesh filters.
8. Install electrical and duct work. Seal duct work with aluminum duct tape.
9. Power up hood, verify all functions and check for leaks around duct tape.

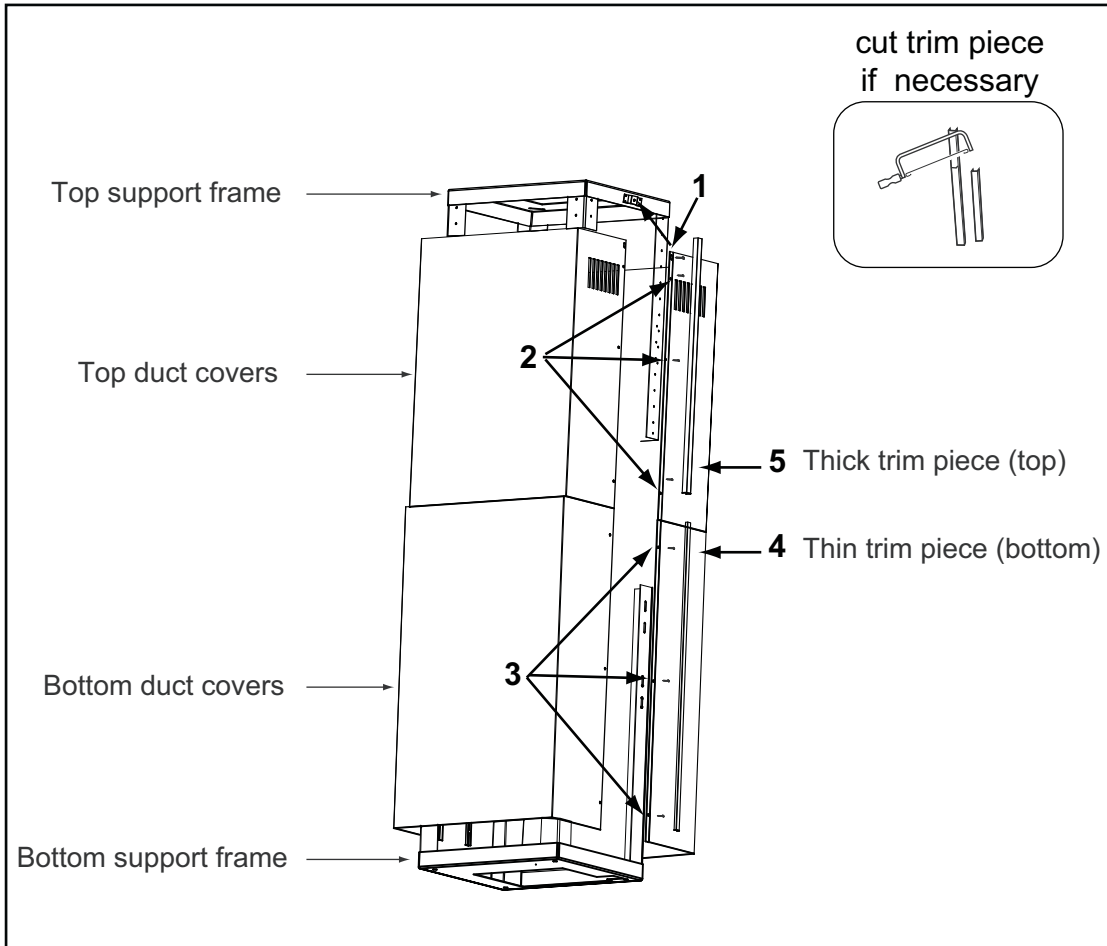


FIG. G

10. *Secure top duct covers (with louver holes) to top support frame using (2) M4 x 8 screws. (FIG. G, #1). Note: If using hood in “ducted mode” the top duct covers may be turned upside-down to hide the louver holes.
11. Assemble top duct covers together using (3) M3 x 6 screws on each side. (FIG. G, #2). Larger screw hole openings should overlap the smaller holes.
12. Assemble bottom duct covers together over top duct covers using (3) M3 x 6 screws on each side. Bottom duct covers will rest on top of the hood body. (FIG. G, #3)
13. Insert the (2) thin trim pieces into left and right seams of bottom duct covers. (1 on each side) (FIG. G, #4)
14. Insert the (2) thick trim pieces into left and right seams of top duct covers. (1 on each side) (FIG. G, #5) **Note: Because less of the top duct covers will be exposed, it may not be necessary to measure and cut the thick trim pieces before installing them into the top duct covers.**

** If using hood in recirculating mode you must install the air diverter plate before assembling the duct covers.*

Turn to page 12 for instructions.

Ductless recirculation is intended for applications where an exhaust duct work is not possible to be installed. When converted, the hood functions as a recirculating hood rather than an exhaust hood. Fumes and exhaust from cooking are drawn and filtered by a set of optional charcoal filters. The air is then purified and re-circulated back within the home.

We recommend to ALWAYS exhaust air outside of the home by employing existing or installing new duct work, if possible. The hood is most effective and efficient as an exhaust hood. Only when the exhaust option is not possible should you recourse to converting the hood into a recirculating hood.

When converted to be a recirculating hood, a set of charcoal filters are required on top of its standard Metal Filter set. Order according to its Part number below. The standard Metal Filters are intended to capture residue from cooking and the optional charcoal filters help to purify fumes exhausted from cooking for re-circulation.

RECIRCULATING KIT (REQUIRED IF NO DUCTING IS USED)

Kit includes charcoal filters, charcoal filter brackets and air diverter plate.

| Hood Model | Part No. | Filters in Pkg. |
|------------|----------|-----------------|
| BML | BRC-0004 | 2 |

1. Purchase recirculating kit per the part number above
2. Secure air diverter plate to top support frame. (FIG. H) Run 6" ducting from top of hood and secure to air diverter plate.
3. Remove mesh filters from hood. Secure the charcoal filter bracket to the inside of the hood behind mesh filters with (4) M3.5 x 8 screws. Clip charcoal filters into each charcoal filter bracket opening. (FIG. H)
4. Re-install mesh filters.
5. Charcoal filters must be replaced after every 120 hours of use (or approximately every 3 to 4 months based on the average of 1 - 2 hrs. of daily cooking time).

Note: Refer to manual included with recirculating kit for more detailed installation instructions.

Charcoal Filter Replacements

| Hood Model | Part No. | Qty to Order |
|------------|----------|--------------|
| BML | Z0F-C002 | 2 |

DO NOT WASH CHARCOAL FILTERS. Charcoal filters may need to be changed more often depending on cooking habits.

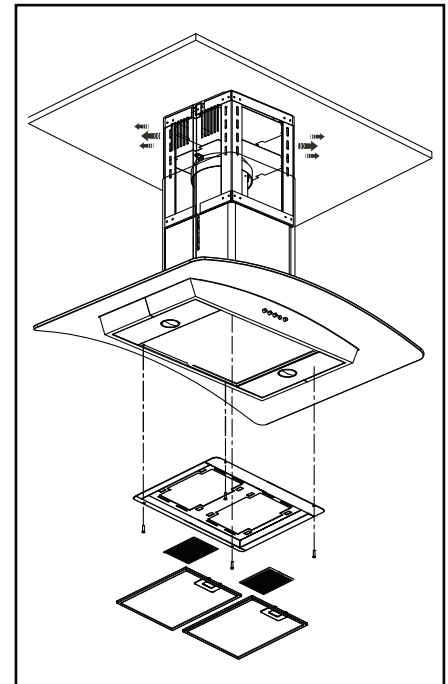
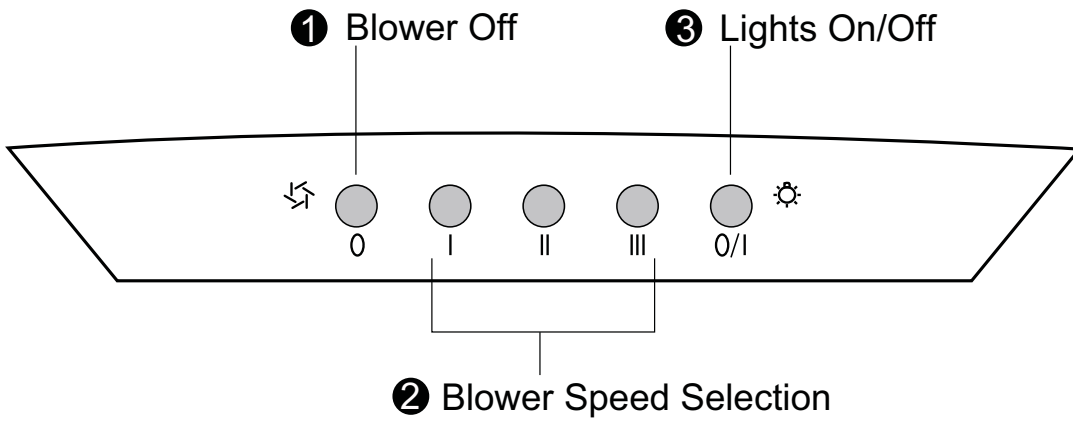


FIG. H



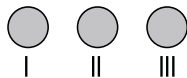
1 Blower Off

The blower will be powered off by pressing:



2 Blower Speed Selection

Select one of three speed levels by pressing:



3 Lights On/Off

Power lights on and off by pressing:



SURFACE MAINTENANCE:

Clean periodically with hot soapy water and clean cotton cloth. Do not use corrosive or abrasive detergent, or steel wool/scouring pads which will scratch and damage surface.

For heavier soil use liquid degreaser.

After cleaning it is recommended that you use non-abrasive stainless steel polish/cleaners, to polish and buff out the stainless luster and grain. Always scrub lightly, with clean cotton cloth, and with the grain.

Do not use any product containing chlorine bleach. Do not use “orange” cleaners.

Stainless Steel Mesh Filters

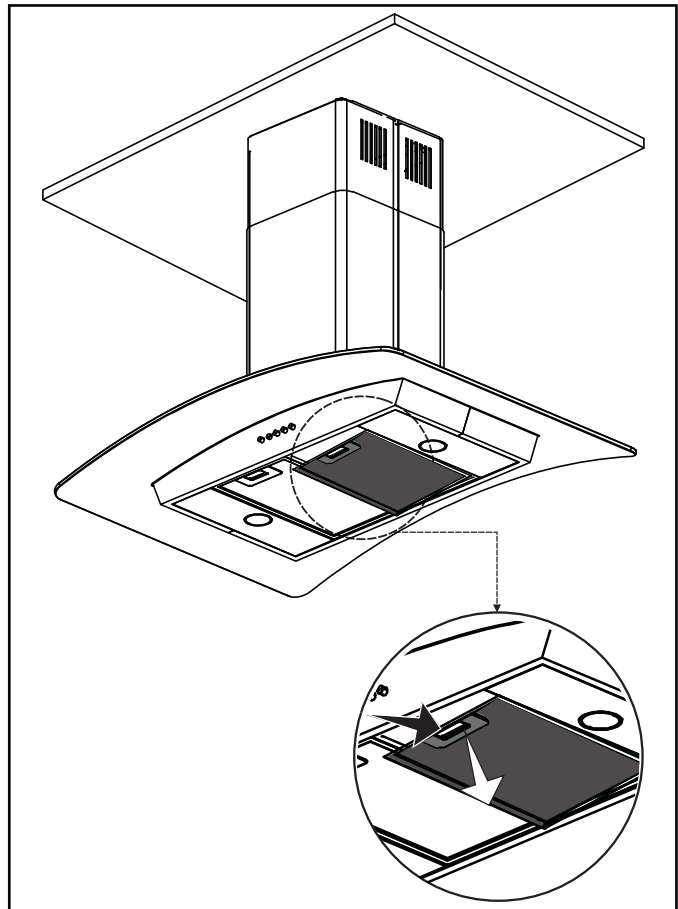
The stainless steel mesh filters installed by the factory are intended to filter out residue and grease from cooking. They need not be replaced on a regular basis but are required to be kept clean.

Remove and clean by hand or in dishwasher on low heat. Spray degreasing detergent and leave to soak if heavily soiled.

Dry filters and re-install before using hood.

Removing Stainless Steel Mesh Filters

1. Push in on spring loaded handle
2. Pull down on filter handle to remove filter



REPLACING LIGHT BULBS

CAUTION: Light bulb becomes extremely hot when turned on.

DO NOT touch bulb until switched off and cooled. Touching hot bulbs could cause serious burns.

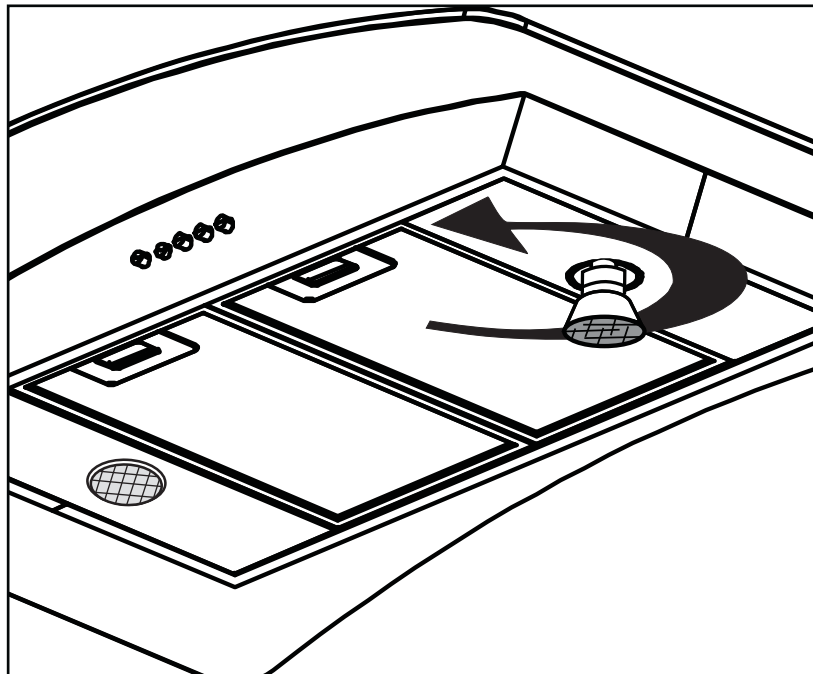
Make sure all power is turned off and bulbs are not hot.

Remove by turning bulb counter clockwise. Note: Bulb does not unscrew; it turns 60 degrees, stops and falls out.

If bulbs are difficult to turn due to prolonged use, firmly attach a glass suction cup approximately the diameter of the bulb or use a rubber/latex glove and turn counter clockwise.

Replacement bulbs are available at specialty lighting stores. Purchase type GU-10 50W halogen.

For part numbers please turn to page 18 of the manual.



TROUBLESHOOTING PROCEDURES FOR BRISAS

| Issue | Cause | What to do |
|---|--|--|
| After installation, the unit doesn't work. | 1. The power source is not turned ON. | 1. Make sure the circuit breaker and the unit's power is ON. |
| | 2. The power line and the cable locking connector is not connecting properly. | 2. Check the power connection with the unit is connected properly. |
| | 3. The switch board and control board wirings are disconnected. | 3. Make sure the wirings between the switch board and control board are connected properly. |
| | 4. The switch board or control board is defective. | 4. Change the switch board or control board. |
| Light works, but motor is not turning. | 1. The motor is defective, possibly seized. | 1. Change the motor. |
| | 2. The thermally protected system detects if the motor is too hot to operate and shuts the motor down. | 2. The motor will function properly after the thermally protected system cool down. |
| | 3. Damaged capacitor. | 3. Change the capacitor. |
| | 4. The switch board or control board is defective. | 4. Change defective part. |
| The unit is vibrating. | 1. The motor is not secure in place. | 1. Tighten the motor in place. |
| | 2. Damaged blower wheel. | 2. Replace the blower. |
| | 3. The hood is not secured in place. | 3. Check the installation of the hood. |
| | 4. The switch board or control board is defective. | 4. Change defective part. |
| The motor is working, but the lights are not. | 1. Defective halogen bulb. | 1. Change the halogen bulb. |
| | 2. The light bulb is loose. | 2. Tighten the light bulb. |
| The hood is not venting out properly. | 1. The hood might be hanging too high from the cook top. | 1. Adjust the distance between the cook top and the bottom of the hood within 28" and 36" range. |
| | 2. The wind from the opened windows or opened doors in the surrounding area are affecting the ventilation of the hood. | 2. Close all the windows and doors to eliminate the outside wind flow. |
| | 3. Blockage in the duct opening or ductwork. | 3. Remove all the blocking from the duct work or duct opening. |
| | 4. The direction of duct opening is against the wind. | 4. Adjust the duct opening direction. |
| | 5. Using the wrong size of ducting. | 5. Change the ducting to at least 6" or higher for the internal blower and 8" or higher for the external blower. |
| Mesh Filter is vibrating. | 1. Mesh filter is loose. | 1. Make sure the metal clips in the handle are not stuck. Or replace the mesh filter. |



182766

Model: BML-E36AG

Voltage 120V 60Hz 3.5A

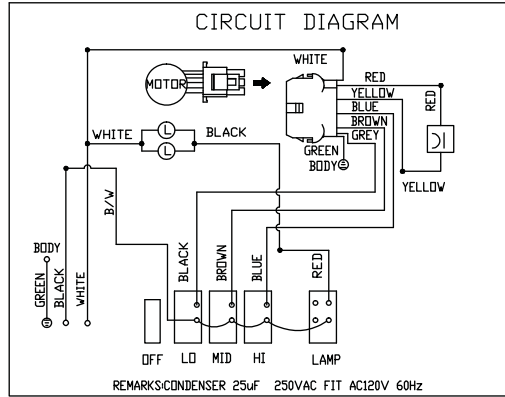
Power consumption

Total: 400W

Lamp: Max.50Wx2

Fan: 300W

THERMALLY PROTECTED



182766

Model: BML-E36AG290

Voltage 120V 60Hz 1.5A

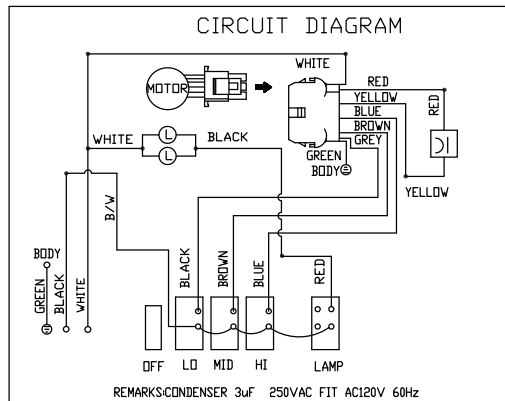
Power consumption

Total: 171W

Lamp: Max.50Wx2

Fan: 71W

THERMALLY PROTECTED



List of Materials

| DESCRIPTION | PART# |
|--|--------------------|
| Replacement Parts | |
| Light Bulb GU-10 50W (each) | Z0B-0020 |
| Optional Accessories | |
| Recirculating Kit | BRC-0004 (for BML) |
| Replacement Charcoal Filter | Z0F-C002 |
| Duct Cover Extension (up to 12' ceiling) | B1C-00ML (for BML) |

To order parts, visit us online at www.brisasrangehoods.com or call us at 1.888.880.8368



STAPLE YOUR RECEIPT HERE
Proof of the original purchase
date is needed to obtain
service under warranty

TO OBTAIN SERVICE UNDER WARRANTY OR FOR ANY SERVICE RELATED QUESTIONS, please call:
1-888-880-8368

Zephyr Corporation (referred to herein as “we” or “us”) warrants to the original consumer purchaser (referred to herein as “you” or “your”) of Zephyr products (the “Products”) that such Products will be free from defects in materials or workmanship as follows:

One Year Limited Warranty for Parts: For one year from the date of your original purchase of the Products, we will provide, free of charge, Products or parts to replace those that failed due to manufacturing defects. We may choose, in our sole discretion, to repair or replace parts before we elect to replace the Products.

One Year Limited Warranty for Labor: For one year from the date of your original purchase of the Products, we will provide, free of charge, the labor cost associated with repairing the Products or parts to replace those that failed due to manufacturing defects. After the first year from the date of your original purchase, you are responsible for all labor costs associated with this warranty.

Warranty Exclusions: This warranty covers only repair or replacement, at our option, of defective Products or parts and does not cover any other costs related to the Products including but not limited to: (a) normal maintenance and service required for the Products and consumable parts such as light bulbs, metal and carbon filters and fuses; (b) any Products or parts which have been subject to freight damage, misuse, negligence, accident, faulty installation or installation contrary to recommended installation instructions, improper maintenance or repair (other than by us); (c) commercial use of the Products or use otherwise inconsistent with its intended purpose; (d) natural wear of the finish of the Products or wear caused by improper maintenance, use of corrosive and abrasive cleaning products, pads, and oven cleaner products; (e) chips, dents or cracks caused by abuse or misuse of the Products; (f) service trips to your home to teach you how to use the Products; or (g) damage to the Products caused by accident, fire, floods or act of God. If you are outside our service area, additional charges may apply for shipping costs for warranty repair at our designated service locations and for the travel cost to have a service technician come to your home to repair, remove or reinstall the Products. After the first year from the date of your original purchase, you are also responsible for all labor costs associated with this warranty.

Limitations of Warranty. OUR OBLIGATION TO REPAIR OR REPLACE, AT OUR OPTION, SHALL BE YOUR SOLE AND EXCLUSIVE REMEDY UNDER THIS WARRANTY. WE SHALL NOT BE LIABLE FOR INCIDENTAL, CONSEQUENTIAL OR SPECIAL DAMAGES ARISING OUT OF OR IN CONNECTION WITH THE USE OR PERFORMANCE OF THE PRODUCTS. THE EXPRESS WARRANTIES IN THE PRECEDING SECTION ARE EXCLUSIVE AND IN LIEU OF ALL OTHER EXPRESS WARRANTIES. WE HEREBY DISCLAIM AND EXCLUDE ALL OTHER EXPRESS WARRANTIES FOR THE PRODUCTS, AND DISCLAIM AND EXCLUDE ALL WARRANTIES IMPLIED BY LAW, INCLUDING THOSE OF MERCHANTABILITY AND FITNESS FOR A PARTICULAR PURPOSE. Some states or provinces do not allow limitations on the duration of an implied warranty or the exclusion or limitation of incidental or consequential damages, so the above limitations or exclusions may not apply to you. To the extent that applicable law prohibits the exclusion of implied warranties, the duration of any applicable implied warranty is limited to the same one-year period described above. Any oral or written description of the Products is for the sole purpose of identifying the Products and shall not be construed as an express warranty. Prior to using, implementing or permitting use of the Products, you shall determine the suitability of the Products for the intended use, and you shall assume all risk and liability whatsoever in connection with such determination. We reserve the right to use functionally equivalent refurbished or reconditioned parts or Products as warranty replacements or as part of warranty service. This warranty is not transferable from the original purchaser and applies in the United States and Canada.

To Obtain Service Under Limited Warranty: To qualify for warranty service, you must: (a) notify us at the address or telephone number stated below within 60 days of the discovery of the defect; (b) give the model number and part identification number and serial number; and (c) describe the nature of any defect in the Product or part. At the time of the request for warranty service, you must present evidence of your proof of purchase and proof of the original purchase date. If we determine that the warranty exclusions listed above apply or if you fail to provide the necessary documentation to obtain service, you will be responsible for all shipping, travel, labor and other costs related to the services.

Please check our website for any revisions, www.brisasrangehoods.com

Zephyr Corporation Service Department, 2277 Harbor Bay Parkway, Alameda, CA 94502 1-888-880-8368