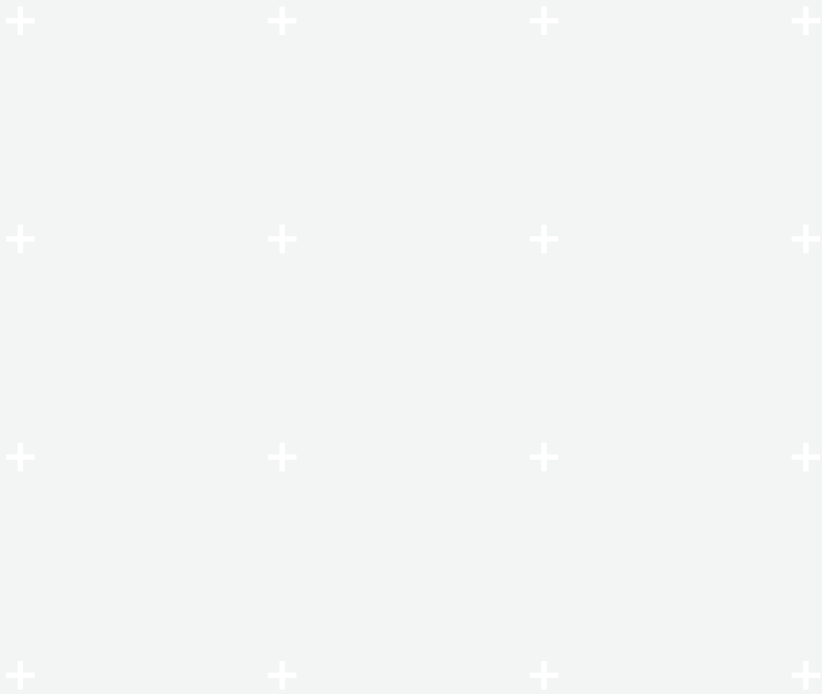
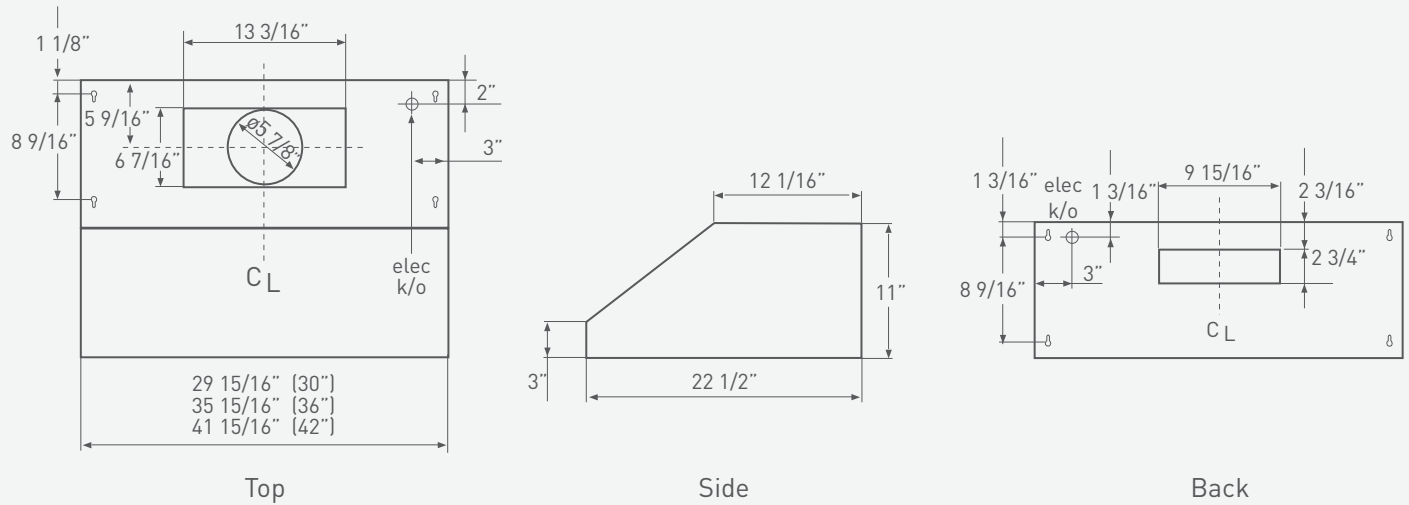


TEMPEST I

When we redesigned the Tempest I, we set out to maximize efficiency and eliminate the hassles. So we added powerful blower options and new ways to make sure all you have to think about is the cooking: stylish electronic glass controls that streamline and enhance the hood's professional aesthetic. An optional heat lamp kit. And industrial-strength, high-airflow baffle filters that are dishwasher-safe to ensure a lifetime of exceptional performance.



ESSENTIALS



UNDER CABINET

TEMPEST I

MODEL	AK7000AS	AK7036AS	AK7042AS
SIZE	30"	36"	42"
NET WIDTH	29 15/16"	35 15/16"	41 15/16"
PERFORMANCE Single Internal Blower (Included) Dual Internal Blower* (Optional)	240 - 600 CFM, 1.8 - 6 Sones 500 - 1100 CFM, 3.5 - 8 Sones	240 - 600 CFM, 1.8 - 6 Sones 500 - 1100 CFM, 3.5 - 8 Sones	240 - 600 CFM, 1.8 - 6 Sones 500 - 1100 CFM, 3.5 - 8 Sones
COLOR Stainless Steel	SS	SS	SS
FEATURES Controls Speed Levels Auto Delay-Off Lighting Dual-Level Lighting Filters Recirculating Duct Cover Extension	Electronic Touch 3 Yes Halogen, 35W x 2 Yes Baffle x 2 Yes (600 CFM only) NA	Electronic Touch 3 Yes Halogen, 35W x 2 Yes Baffle x 3 Yes (600 CFM only) NA	Electronic Touch 3 Yes Halogen, 35W x 2 Yes Baffle x 3 Yes (600 CFM only) NA
DUCT SPECIFICATIONS Vertical - Single /Dual Horizontal - Single**	6" / 10" 3 1/4" x 10"	6" / 10" 3 1/4" x 10"	6" / 10" 3 1/4" x 10"
AC INPUT	120V - 60Hz	120V - 60Hz	120V - 60Hz
AC POWER w/ Single Internal Blower w/ Dual Internal Blower w/ Heat Lamps	Max. 390W, 3.25 Amps Max. 710W, 5.95 Amps Add 500W, 4.2 Amps	Max. 390W, 3.25 Amps Max. 710W, 5.95 Amps Add 500W, 4.2 Amps	Max. 390W, 3.25 Amps Max. 710W, 5.95 Amps 500W, 4.2 Amps
OPTIONAL ACCESSORIES Back Splash w/ Warming Racks Heat Lamp Kit † Recirculating Kit** Dual Internal Blower	AK0710 AK0700AS ZRC-7000 PBD-1100A	AK0716 AK0706AS ZRC-7036 PBD-1100A	AK0712 AK0702AS ZRC-7042 PBD-1100A

Mounting Heights Min. height 26" from cooking surface.
Hood mounted 62" from floor.

Max. height 36" from cooking surface.
Hood mounted 72" from floor.

* PBD-1100A dual blower kit sold separately. To complete the dual blower kit you must remove the single blower from Tempest I and install it into the PBD-1100A kit. ** Horizontal ducting and recirculating kit are compatible with 600 CFM single internal blower only. ZRC-7000 kit includes a 4" tall return air box that must be installed between the hood and cabinet bottom, please take this into consideration when installing your cabinets. †Heat lamp kit and dual internal blower can only be used together in AK7042AS.

ESSENTIALS

ZEPHYR

Zephyr Corporation

2277 Harbor Bay Parkway
Alameda, CA 94502

1.888.880.VENT

www.zephyronline.com feb12.0401

