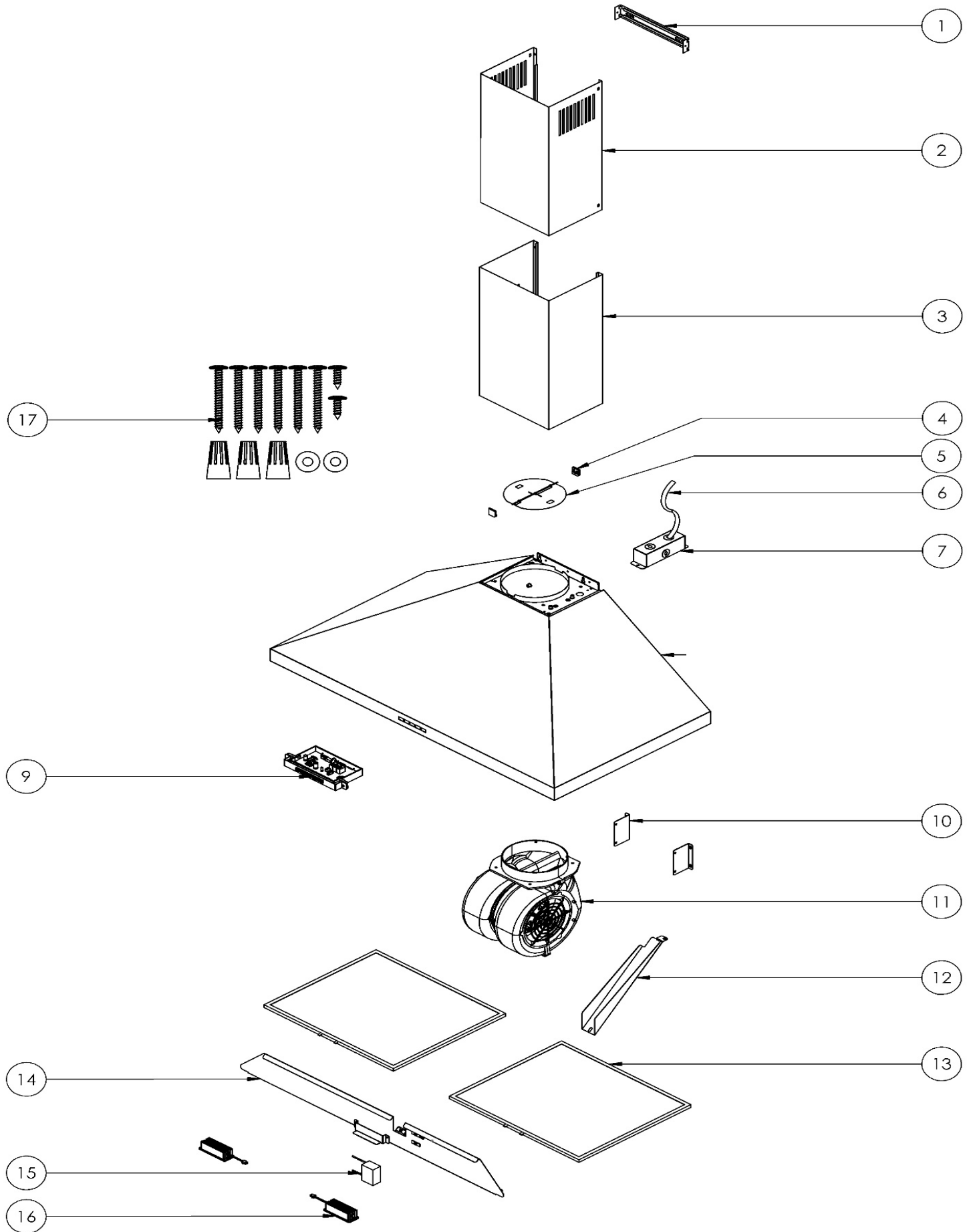


BVE-E30CS BVE-E36CS

brisas
BY ZEPHYR



BVE-E30CS, BVE-E36CS

Ref #	Part #	Description	Qty.
1	54110052	Duct Cover Bracket	1
2	50050216	Upper Duct Cover	1
3	50050217	Lower Duct Cover	1
4	50180002	Damper Clip	2
5	54060004	6 Inch Round Damper	1
6	11030141	Power Cord	1
7	56200081	Electrical Box	1
9	11000189	Switch Assembly	1
10	54140358	Motor Bracket	2
11	12120082	Motor	1
12	50140225	Wiring Plate	1
13	50200069	Aluminum Mesh Filter, BVE-E30CS	2
13	50200070	Aluminum Mesh Filter, BVE-E36CS	2
14	50140226	Internal Panel, BVE-E30CS	1
14	50140227	Internal Panel, BVE-E36CS	1
15	12050015	Capacitor	1
16	Z0B0047	LumiLight LED, 6W	2
17	05000201	Hardware Packet	1

OCT24.0101