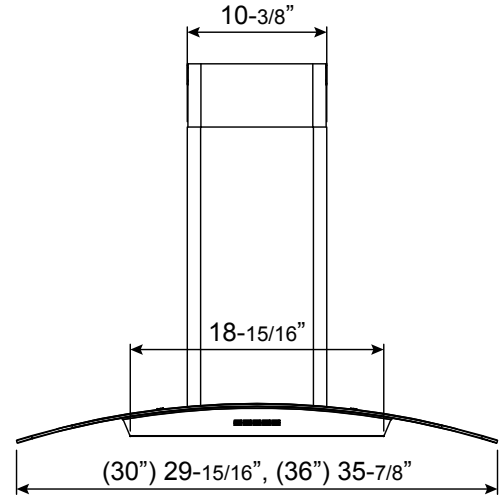
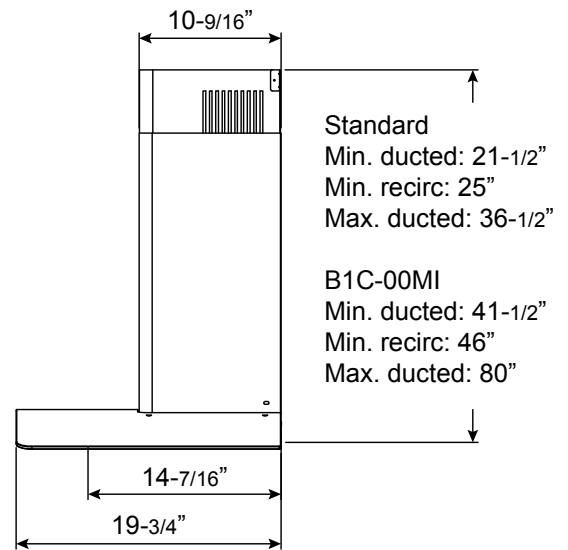


BRISAS BMI WALL

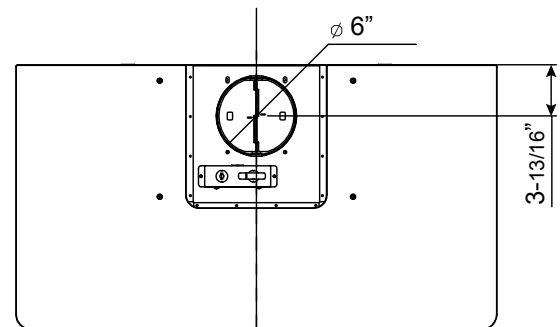
brisas
BY ZEPHYR
BRISASBYZEPHYR.COM



FRONT



SIDE



C/L

TOP

BRISAS BMI WALL

brisas
BY ZEPHYR
BRISASBYZEPHYR.COM

MODEL

Stainless Steel w/ Glass canopy	BMI-E30DG	BMI-E36DG
Size	30"	36"

BLOWER PERFORMANCE

Blower CFM	600	600
Sones	6	6
ACT 390 CFM	Yes	Yes
ACT 290 CFM	Yes	Yes

FEATURES

ACT™ Technology	Yes	Yes
Controls	Electronic Touch	Electronic Touch
Speed Levels	3	3
Auto Delay-Off	Yes	Yes
Lighting	LumiLight LED, 6W x2	LumiLight LED, 6W x2
Dual-Level Lighting	Yes	Yes
Filters	Aluminum Mesh	Aluminum Mesh
Recirculating Option	Yes	Yes
Extension Duct Cover Option	Yes, Up to 12' Ceiling	Yes, Up to 12' Ceiling

DUCT SPECIFICATIONS

Vertical Internal Blower	6" Round	6" Round
Horizontal Internal Blower	NA	NA
AC POWER	320W, 2.6A	320W, 2.6A
AC POWER INPUT	120V, 60Hz	120V, 60Hz

OPTIONAL ACCESSORIES

Recirculating Kit	BRC-0106	BRC-0106
Extension Duct Cover	B1C-00MI	B1C-00MI

MOUNTING HEIGHT RANGE*	24" - 34"	24" - 34"
------------------------	-----------	-----------

WARRANTY	1 years parts, 1 year labor	1 years parts, 1 year labor
----------	-----------------------------	-----------------------------

*Mounting height refers to distance between top of a 36" tall cooking surface and bottom of hood.

AIRFLOW CONTROL TECHNOLOGY is an exclusive feature built into the hood which can limit the maximum blower CFM to meet local code requirements.

Specifications subject to change, check zephyronline.com for up to date information.
Zephyr Ventilation | 2277 Harbor Bay Parkway, Alameda, CA 94502 | 888.880.VENT
support@brisasbyzephyr.com

SEP24.0101

