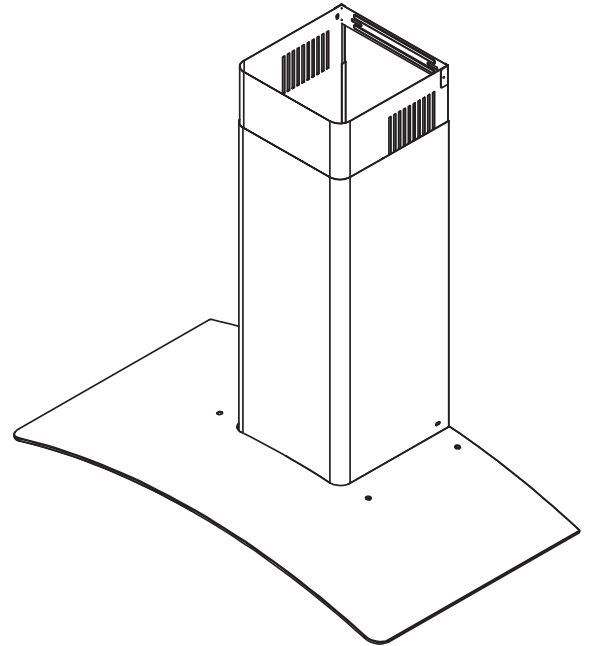


# brisas

BY ZEPHYR

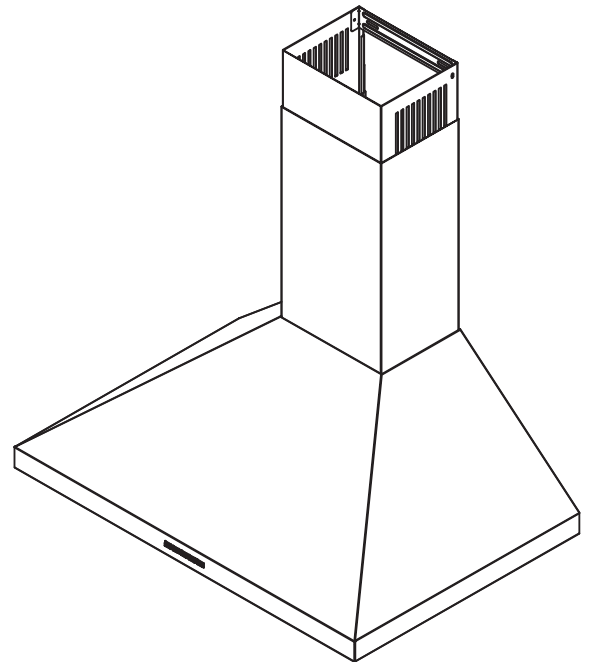
## BMI Wall

BMI-E30DG, BMI-E36DG



## BVE Wall

BVE-E30CS, BVE-E36CS



EN Use, Care, and Installation Guide

FR Guide d'utilisation, d'entretien et d'installation

Register Your Product Today  
[zephyronline.com/registration](http://zephyronline.com/registration)





---

|  | Page         |
|--|--------------|
| <b>Safety Information</b> .....                            | <b>4-6</b>   |
| Types of Safety Warnings.....                              | 4            |
| General Safety .....                                       | 4-5          |
| Operation .....  | 5            |
| Electrical Requirements .....                              | 6            |
| Federal Communication Commission Interface Statement ..... | 6            |
| <b>List of Materials</b> .....                             | <b>7</b>     |
| <b>Installation Instructions</b> .....                     | <b>8-17</b>  |
| Ducting Calculation Sheet.....                             | 8            |
| Mounting Height, Clearance, & Ducting .....                | 9-10         |
| Ducting Options .....                                      | 11           |
| Hood Specifications, BMI .....                             | 12           |
| Hood Specifications, BVE .....                             | 13           |
| Electrical Supply.....                                     | 14           |
| Mounting the Hood, BMI .....                               | 15           |
| Mounting the Hood, BVE .....                               | 16           |
| Ductless Recirculation .....                               | 17           |
| Recirculating Kit Installation .....                       | 17           |
| <b>Features &amp; Controls</b> .....                       | <b>18</b>    |
| Electronic Touch .....                                     | 18           |
| <b>Maintenance</b> .....                                   | <b>19-20</b> |
| Hood & Filter Cleaning.....                                | 19-20        |
| LED Light Replacement.....                                 | 20           |
| <b>CFM Selector Conversion</b> .....                       | <b>21-22</b> |
| CFM Selector .....   | 21           |
| Enabling CFM Selector .....                                | 22           |
| <b>Wiring Diagram</b> .....                                | <b>23</b>    |
| <b>Troubleshooting</b> .....                               | <b>24-25</b> |
| <b>List of Parts &amp; Accessories</b> .....               | <b>26</b>    |
| <b>Limited Warranty</b> .....                              | <b>27</b>    |
| <b>Product Registration</b> .....                          | <b>28</b>    |

# Safety Information

## READ AND SAVE THESE INSTRUCTIONS

**Your safety and the safety of others are very important.** We have provided many important safety messages in this manual for your appliance. Always read and obey all safety messages.



This is the Safety Alert Symbol. This symbol alerts you to potential hazards that can cause severe bodily injury or death. All safety messages will follow the Safety Alert Symbol and either the words “DANGER” “WARNING” or “CAUTION”



### General Safety



**WARNING - TO REDUCE THE RISK OF FIRE, ELECTRIC SHOCK, OR INJURY TO PERSONS, OBSERVE THE FOLLOWING:**

- Use this unit only in the manner intended by the manufacturer. If you have questions, contact the manufacturer.
- Before servicing or cleaning unit, switch power off at service panel and lock the service disconnecting means to prevent power from being switched on accidentally. When the service disconnecting means cannot be locked, securely fasten a prominent warning device, such as a tag, to the service panel.
- Do not use replacement parts that have not been recommended by the manufacturer (e.g. parts made at home using a 3D printer).



**WARNING - TO REDUCE THE RISK OF A RANGE TOP GREASE FIRE:**

- Never leave surface units unattended at high settings. Boilovers cause smoking and greasy spillovers that may ignite. Heat oils slowly on low or medium settings.
- Always turn hood ON when cooking at high heat or when flambeing food. (i.e. Crepes Suzette, Cherries Jubilee, Peppercorn Beef Flambe’).
- Clean ventilating fans frequently. Grease should not be allowed to accumulate on fan or filter.
- Use proper pan size. Always use cookware appropriate for the size of the surface element.



## READ AND SAVE THESE INSTRUCTIONS



**WARNING - TO REDUCE THE RISK OF INJURY TO PERSONS IN THE EVENT OF A RANGE TOP GREASE FIRE, OBSERVE THE FOLLOWING<sup>o</sup>:**

- a) **SMOTHER FLAMES** with a close-fitting lid, cookie sheet, or metal tray, then turn off the burner. **BE CAREFUL TO PREVENT BURNS.** If the flames do not go out immediately, **EVACUATE AND CALL THE FIRE DEPARTMENT.**
- b) **NEVER PICK UP A FLAMING PAN** – You may be burned.
- c) **DO NOT USE WATER**, including wet dishcloths or towels – a violent steam explosion will result.
- d) Use an extinguisher **ONLY** if:
  - 1) You know you have a Class ABC extinguisher, and you already know how to operate it.
  - 2) The fire is small and contained in the area where it started.
  - 3) The fire department is being called.
  - 4) You can fight the fire with your back to an exit

<sup>o</sup>Based on “Kitchen Firesafety Tips” published by NFPA.

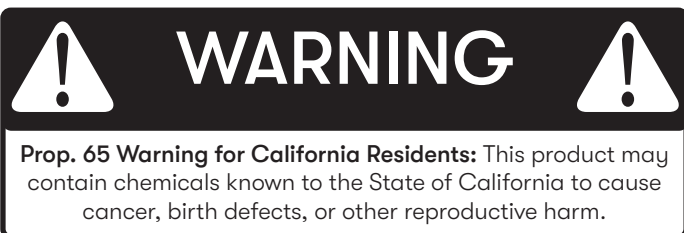


**WARNING - TO REDUCE THE RISK OF FIRE, ELECTRIC SHOCK, OR INJURY TO PERSONS, OBSERVE THE FOLLOWING:**

- a) Installation work and electrical wiring must be done by qualified person(s) in accordance with all applicable codes and standards, including fire-rated construction.
- b) Sufficient air is needed for proper combustion and exhausting of gases through the flue (chimney) of fuel burning equipment to prevent back drafting. Follow the heating equipment manufacturer’s guideline and safety standards such as those published by the National Fire Protection Association (NFPA), and the American Society for Heating, Refrigeration and Air Conditioning Engineers (ASHRAE), and the local code authorities.
- c) When cutting or drilling into wall or ceiling, do not damage electrical wiring and other hidden utilities.
- d) Ducted fans must always be vented to the outdoors.
- e) If this unit is to be installed over a tub or shower, it must be marked as appropriate for the application and be connected to a GFCI (Ground Fault Circuit Interrupter) - protected branch circuit.

### Operation

- ▶ Always leave safety grilles and filters in place. Without these components, operating blowers could catch onto hair, fingers and loose clothing.
- ▶ The manufacturer declines all responsibility in the event of failure to observe the instructions given here for installation, maintenance and suitable use of the product. The manufacturer further declines all responsibility for injury due to negligence and the warranty of the unit automatically expires due to improper maintenance.
- ▶ There shall be adequate ventilation of the room when the range hood is used at the same time as appliances burning gas or other fuels.
- ▶ There is a fire risk if cleaning is not carried out in accordance with the instructions.
- ▶ Do not flame under the range hood.
- ▶ The air must not be discharged into a flue that is used for exhausting fumes from appliances burning gas or other fuels.
- ▶ If the SUPPLY CORD is damaged, it must be replaced by the manufacturer, its service agent or similarly qualified persons in order to avoid a hazard.



# Safety Information

## READ AND SAVE THESE INSTRUCTIONS

### Electrical Requirements

#### Important:

- ▶ Observe all governing codes and ordinances.
- ▶ It is the customer's responsibility to be aware of these below:
- ▶ To contact a qualified electrical installer.
- ▶ To assure that the electrical installation is adequate and in conformance with National Electrical Code, ANSI/NFPA 70 latest edition\* or CSA standards C22.1-94, Canadian Electrical Code, Part 1 and C22.2 No.0-M91 - latest edition\*\* and all local codes and ordinances.
- ▶ If codes permit and a separate ground wire is used, it is recommended that a qualified electrician determine that the ground path is adequate.
- ▶ Do not ground to a gas pipe.
- ▶ Check with a qualified electrician if you are not sure the range hood is properly grounded.
- ▶ Do not have a fuse in the neutral or ground circuit.
- ▶ This appliance requires a 120V 60Hz electrical supply and connected to an individual properly grounded branch circuit protected by a 15 or 20 ampere circuit breaker or time delay fuse. Wiring must be 2 wire with ground. Please also refer to Electrical Diagram on product.
- ▶ Instructions for bonding the appliance to ground:  
The grounding-type attachment plug provided with this appliance shall be connected to a grounding-type receptacle installed in accordance with CSA C22.1, Canadian Electrical Code, Part I. In the event of an electrical short circuit, bonding to ground reduces the risk of electric shock.  
**WARNING:** Improper bonding to ground can result in a risk of electric shock.  
Consult a qualified electrician if the grounding instructions are not completely understood, or if doubt exists as to whether the appliance is properly bonded to ground. Do not use an extension cord. If the power supply cord is too short, have a qualified electrician install an outlet near the appliance.
- ▶ A cable locking connector (not supplied) might also be required by local codes. Check with local requirements, purchase and install appropriate connector if necessary.

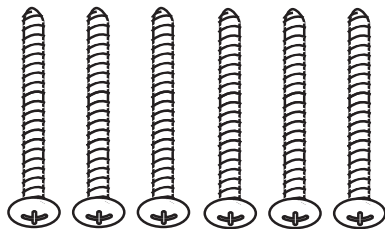
\* National Fire Protection Association Batterymarch Park, Quincy, Massachusetts 02269

\*\* CSA International 8501 East Pleasant Valley Road, Cleveland, Ohio 44131-5575

## Parts Supplied

| Quantity | Part                                  |
|----------|---------------------------------------|
| 1        | Hood with internal blower             |
| 2        | Duct covers, 1 upper & 1 lower        |
| 1        | Duct cover bracket                    |
| 1        | Aluminum mesh filters (2 for BMI)     |
| 2        | LED lights (pre-installed)            |
| 1        | 6" round collar with backdraft damper |
| 1        | Glass canopy (BMI only)               |
| 1        | Hardware package                      |

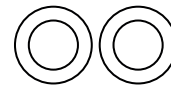
(6) M4 x 38



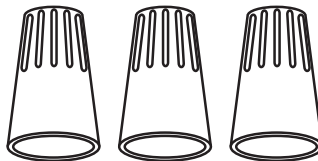
(2) M4 x 12



(2) Washers



(3) Wire Nuts



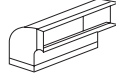
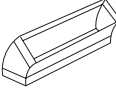
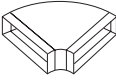
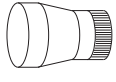





## Parts Not Supplied


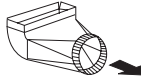

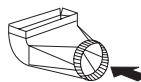

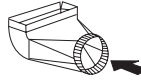
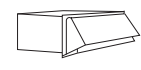
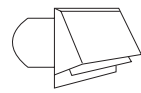

|  |
|--|
| Ducting, conduit and all installation tools                |
| Cable locking connector (if required by local codes)       |
| Extension duct covers (B1C-00MI for BMI, B1C-00VE for BVE) |
| Recirculating kit (BRC-0106 for BMI, BRC-0108 for BVE)     |

# Installation Instructions

## Ducting Calculation Sheet

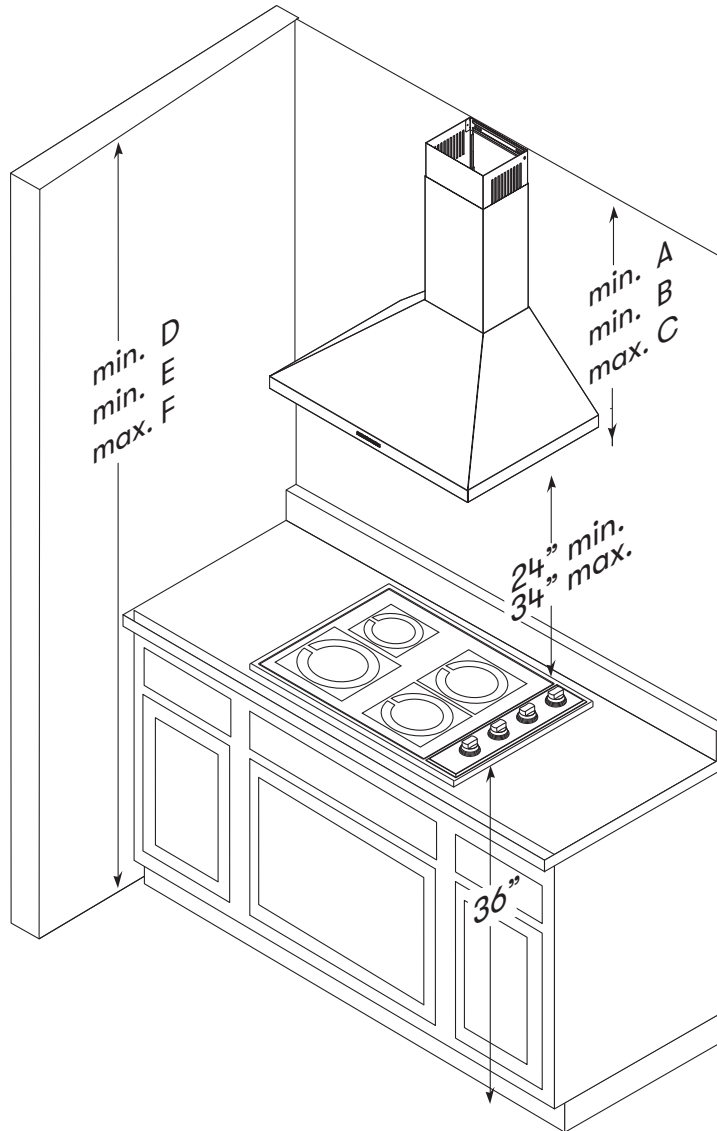
| Duct pieces   |   | Equivalent number<br>length x used = | Total |
|---|---|--------------------------------------|-------|
|    | 3-1/4" x 10"<br>Rect.,<br>straight                  | 1 Ft. x ( ) =                        | Ft.   |
|    | 6", 7", 8", 10"<br>Round,<br>straight               | 1 Ft. x ( ) =                        | Ft.   |
|    | 3-1/4" x 10"<br>Rect. 90°<br>elbow                  | 15 Ft. x ( ) =                       | Ft.   |
|    | 3-1/4" x 10"<br>Rect. 45°<br>elbow                  | 9 Ft. x ( ) =                        | Ft.   |
|   | 3-1/4" x 10"<br>Rect. 90°<br>flatelbow              | 24 Ft. x ( ) =                       | Ft.   |
|  | 7" to 6" or<br>8" to 7" Round<br>tapered<br>reducer | 25 Ft. x ( ) =                       | Ft.   |
|  | 6", 7", 8"<br>Round<br>in-line<br>damper            | 15 Ft. x ( ) =                       | Ft.   |
|  | 6", 7", 8", 10"<br>Round,<br>90° elbow              | 15 Ft. x ( ) =                       | Ft.   |
|  | 6", 7", 8", 10"<br>Round,<br>45° elbow              | 9 Ft. x ( ) =                        | Ft.   |
| Subtotal column 1 =   |   |                                      | Ft.   |

**Maximum Duct Length:** For satisfactory air movement, the total duct length should not exceed 150 equivalent feet.

| Duct pieces   |   | Equivalent number<br>length x used = | Total |
|---|---|--------------------------------------|-------|
|    | 3-1/4" x 10"<br>Rect. to<br>6" round<br>transition              | 5 Ft. x ( ) =                        | Ft.   |
|    | 3-1/4" x 10"<br>Rect. to<br>6" round<br>transition<br>90° elbow | 20 Ft. x ( ) =                       | Ft.   |
|    | 6" round to<br>3-1/4" x 10"<br>rect.<br>transition              | 1 Ft. x ( ) =                        | Ft.   |
|    | 6" round to<br>3-1/4" x 10"<br>rect.<br>transition<br>90° elbow | 16 Ft. x ( ) =                       | Ft.   |
|  | 7" round to<br>3-1/4" x 10"<br>rect.<br>transition              | 8 Ft. x ( ) =                        | Ft.   |
|  | 7" round to<br>3-1/4" x 10"<br>rect.<br>transition<br>90° elbow | 23 Ft. x ( ) =                       | Ft.   |
|  | 3-1/4" x 10"<br>Rect.<br>wall cap<br>with damper                | 30 Ft. x ( ) =                       | Ft.   |
|  | 6", 7", 8", 10"<br>Round, wall<br>cap with<br>damper            | 30 Ft. x ( ) =                       | Ft.   |
|  | 6", 7", 8", 10"<br>Round<br>roof cap                            | 30 Ft. x ( ) =                       | Ft.   |
| Subtotal column 2 =   |   |                                      | Ft.   |
| Subtotal column 1 =   |   |                                      | Ft.   |
| Total ductwork =  |   |                                      | Ft.   |



## Mounting Height, Clearance, & Ducting



|                        | BMI Standard<br>Duct Cover | BMI Extension<br>Duct Cover | BVE Standard<br>Duct Cover | BVE Extension<br>Duct Cover |
|------------------------|----------------------------|-----------------------------|----------------------------|-----------------------------|
| <b>Hood Heights</b>    |                            |                             |                            |                             |
| minimum (A)            | 21-1/2"                    | 41-1/2"                     | 27-1/2"                    | 45"                         |
| min. recirc. (B)       | 25"                        | 46"                         | 31"                        | 49"                         |
| maximum (C)            | 36-1/2"                    | 80"                         | 42"                        | 76-1/2"                     |
| <b>Ceiling Heights</b> |                            |                             |                            |                             |
| minimum (D)            | 81-1/2"                    | 101-1/2"                    | 87-1/2"                    | 105"                        |
| min. recirc. (E)       | 85"                        | 106"                        | 91"                        | 109"                        |
| maximum (F)            | 106-1/2"                   | 150"                        | 112"                       | 146-1/2"                    |

# Installation Instructions

## Mounting Height, Clearance, & Ducting

A minimum of 6" round duct is recommended to maintain maximum air flow efficiency.

Always use rigid type metal ducts only. Flexible ducts could restrict air flow by up to 50%.

Also use the ducting calculation sheet (on page 8) to compute total available duct run when using elbows, transitions and caps.

ALWAYS, when possible, reduce the number of transitions and turns. If long duct run is required, increase duct size.

If turns or transitions are required; install as far away from hood duct output and as far apart, between the two as possible.

Minimum mount height between range top to hood bottom should be no less than 24".

Maximum mount height should be no higher than 34".



It is important to install the hood at the proper mounting height. Hoods mounted too low could result in heat damage and fire hazard; while hoods mounted too high will be hard to reach and will lose its performance and efficiency.

If available, also refer range manufacturer's height clearance requirements and recommended hood mounting height above range. Always check your local codes for any differences.

### For shipment and installation damages:

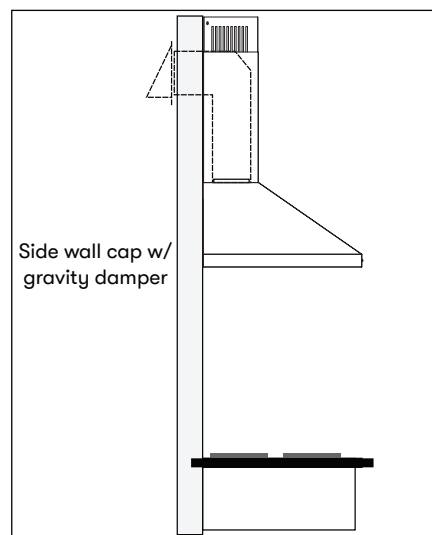
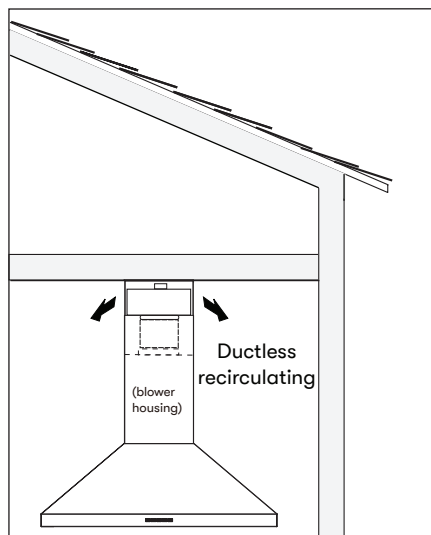
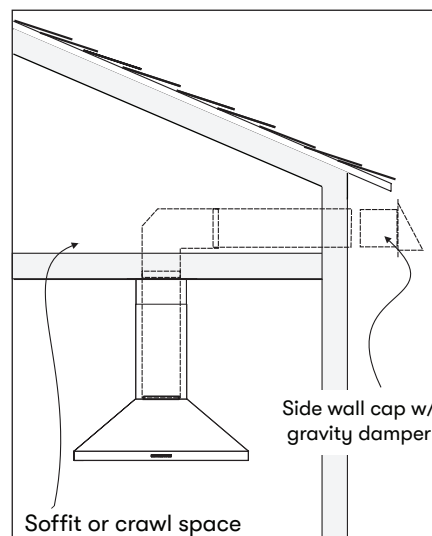
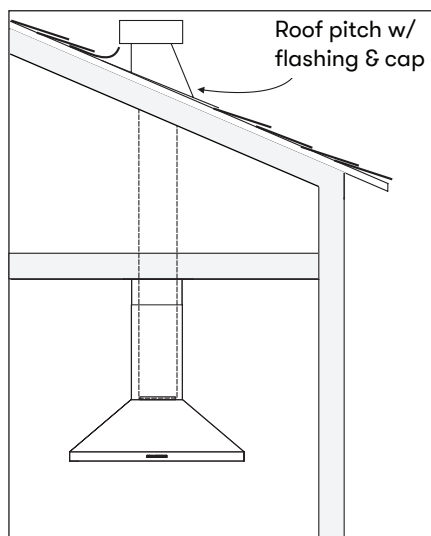
- ▶ Please fully inspect unit for damage before installation.
- ▶ If the unit is damaged in shipment, return the unit to the store in which it was bought for repair or replacement.
- ▶ If the unit is damaged by the customer, repair or replacement is the responsibility of the customer.
- ▶ If the unit is damaged by the installer (if other than the customer), repair or replacement must be made by arrangement between customer and installer.

## Ducting Options

 **WARNING** 

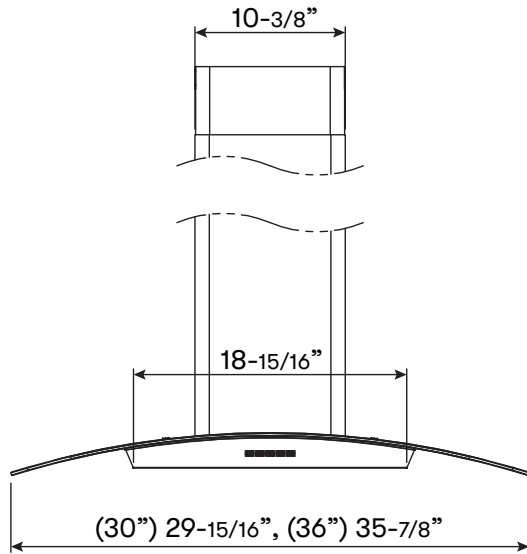
**Fire Hazard:** NEVER exhaust air or terminate ductwork into spaces between walls, crawl spaces, ceilings, attics, or garages. All exhaust must be ducted to the outside, unless using the recirculating option.

- ▶ Use single wall rigid metal ductwork only.
- ▶ Fasten all connections with sheet metal screws and tape all joints w/ certified Silver Tape or Duct Tape.

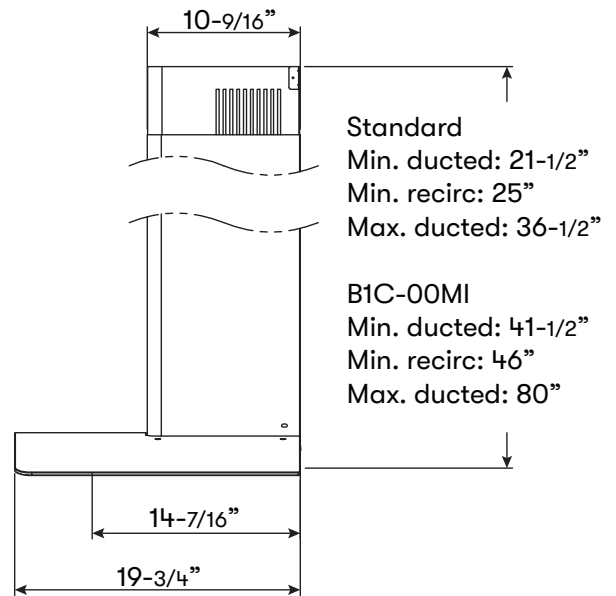


# Installation Instructions

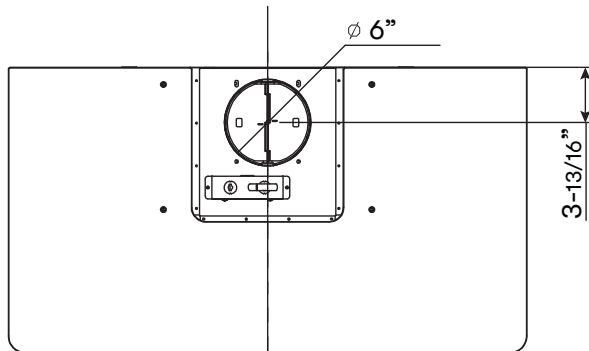
## Hood Specifications, BMI



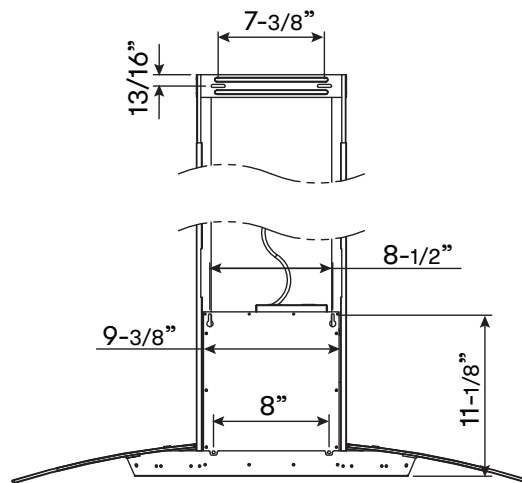
FRONT



SIDE

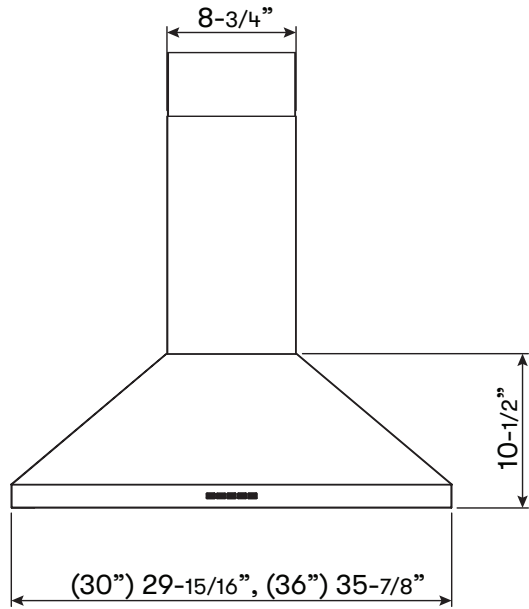


TOP

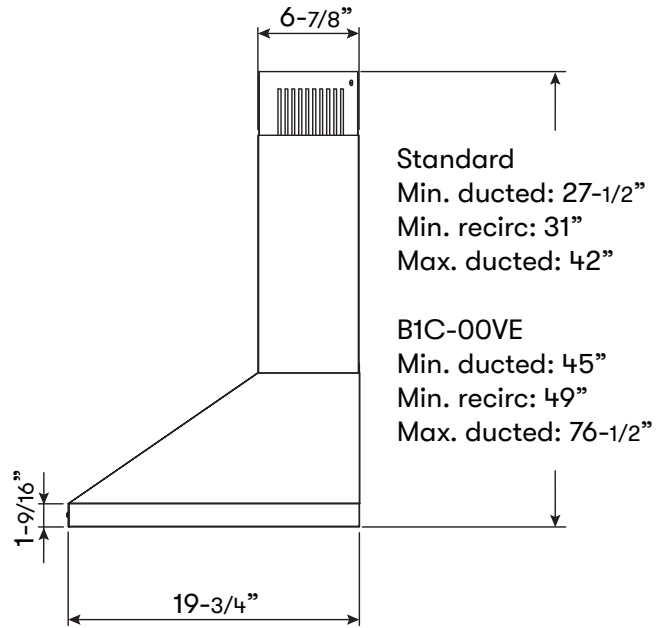


BACK

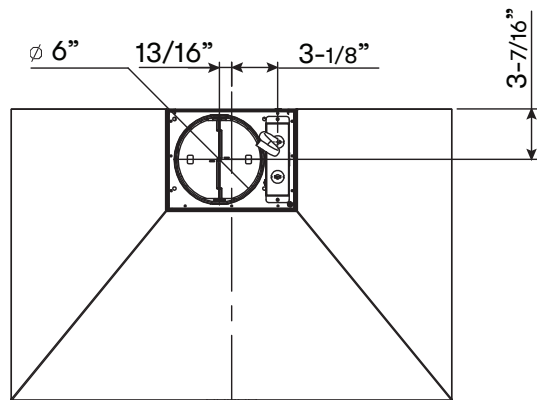
## Hood Specifications, BVE



**FRONT**

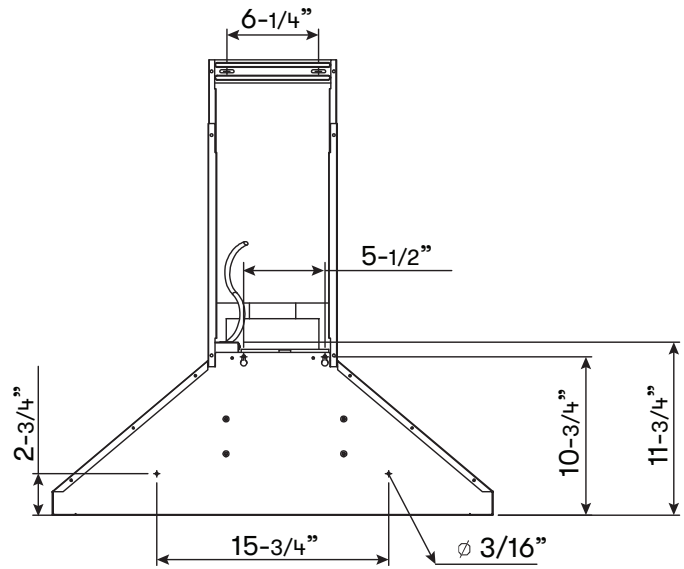


**SIDE**



**C/L**

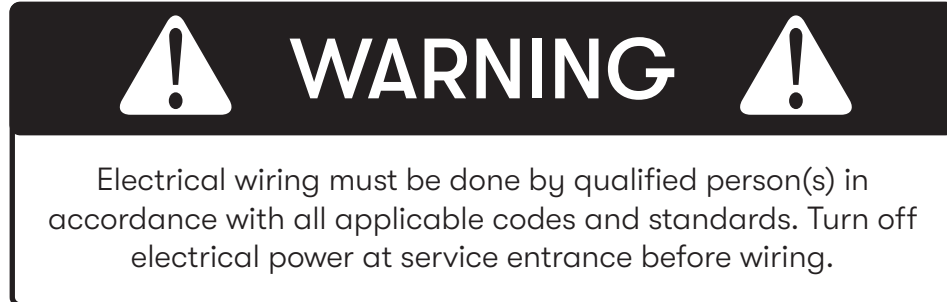
**TOP**



**BACK**

# Installation Instructions

## Electrical Supply



For personal safety, remove house fuse or open circuit breaker before beginning installation. Do not use extension cord or adapter plug with this appliance.

**Follow national electrical codes or prevailing local codes and ordinances.**

This appliance requires a 120V 60Hz electrical supply, and connected to an individual, properly grounded branch circuit, protected by a 15 or 20 ampere circuit breaker or time delay fuse. Wiring must be 2 wire w/ ground. Please also refer to the Electrical Diagram labeled on product.

## Cable Lock

A cable locking connector (not supplied) might be required by local codes. Check with local requirements and codes, purchase and install appropriate connector if necessary. (FIG. A)

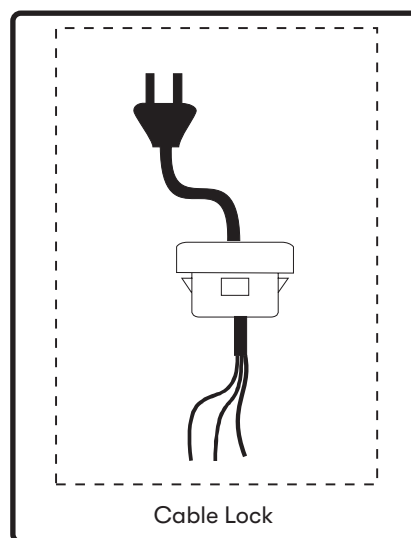


FIG. A

## Mounting the Hood, BMI

1. Measure from range top to hood bottom and mark line A. (24" minimum from range top).
2. Plum and mark center line.  
Mark mounting height line B. (11-1/8" from line A)  
Mark mounting spread from C/L on line B. From center line to left and right mount mark (4-1/4").
3. Fasten (2) M4 x 38 screws into studs on line B. Do not fasten screws all the way, leave approximately 3/8" exposed.  
**NOTE:** Wood blocking may need to be added behind the drywall if no studs are present. Wall anchors may also be used but check local codes for compliance. Failure to use suitable wall anchors and screws to hold the weight of the hood could result in personal injury or damage to cooking surface or counter.
4. Hang hood onto screws and hand tighten. (FIG. A1). Use the last M4 x 38 screws with washers to further secure the hood to the wall from inside the hood.
5. Center and attach duct cover bracket to wall below ceiling or soffit using (2) M4 x 38 screws.
6. Install electrical.
7. Install duct work and duct tape.  
**NOTE:** If using hood in recirculating mode, you must secure the air diverter plate onto the wall before installing duct work and duct covers. Refer to ductless recirculating section for more details.
8. Power up hood and check for leaks around duct tape.
9. Place telescopic duct covers onto hood and extend inner (top) duct cover upwards and secure to duct cover bracket using (2) M4x12 screws.

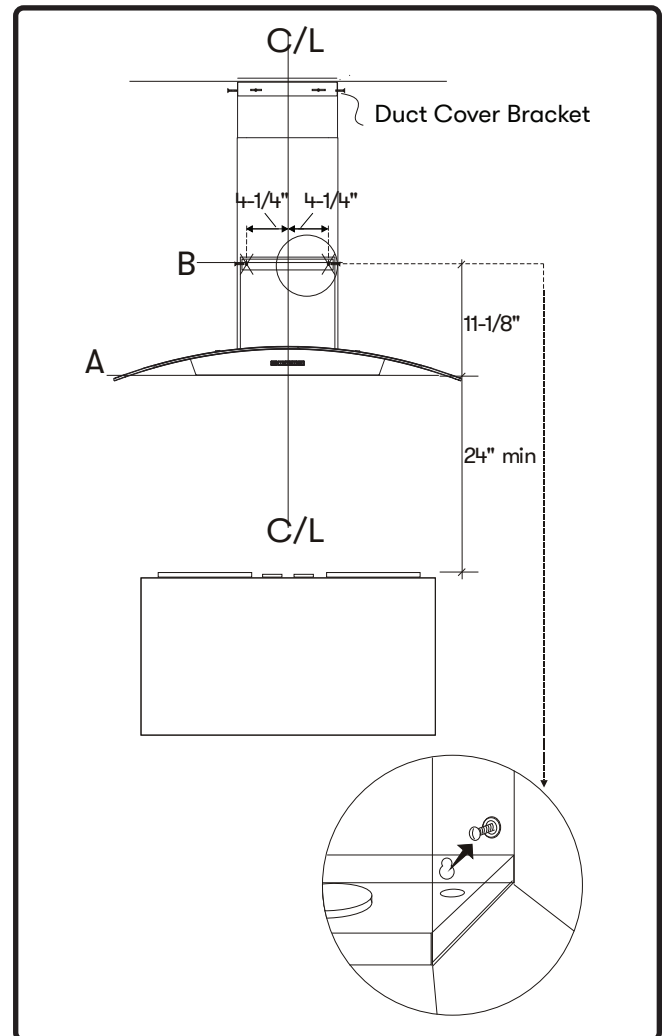


FIG. A

# Installation Instructions

## Mounting the Hood, BVE

1. Measure from range top to hood bottom and mark line A. (24" minimum from range top).
2. Plum and mark center line.  
Mark mounting height line B. (10-3/4" from line A)  
Mark mounting height line C. (2-3/4" from line A)
3. Mark mounting spread from C/L on line B from center line to left mount mark (3-1/2"). From center line to right mount, mark (2"). Mark mounting spread from C/L on line C. From center line to left and right mount, mark (7-7/8")
4. Fasten (2) M4 x 38 screws into studs on line B. Do not fasten screws all the way, leave approximately 3/8" exposed.  
**NOTE:** Wood blocking may need to be added behind the drywall if no studs are present. Wall anchors may also be used but check local codes for compliance. Failure to use suitable wall anchors and screws to hold the weight of the hood could result in personal injury or damage to cooking surface or counter.
5. Hang hood onto screws and hand tighten. (FIG. B). Use the last M4 x 38 screws with washers to further secure the hood to the wall from inside the hood.
6. Center and attach duct cover bracket to wall below ceiling or soffit using (2) M4 x 38 screws.
7. Install electrical.
8. Install duct work and duct tape.  
**NOTE:** If using hood in recirculating mode, you must secure the air diverter plate onto the wall before installing duct work and duct covers. Refer to ductless recirculating section for more details.
9. Power up hood and check for leaks around duct tape.
10. Place telescopic duct covers onto hood and extend inner (top) duct cover upwards and secure to duct cover bracket using (2) M4x12 screws.

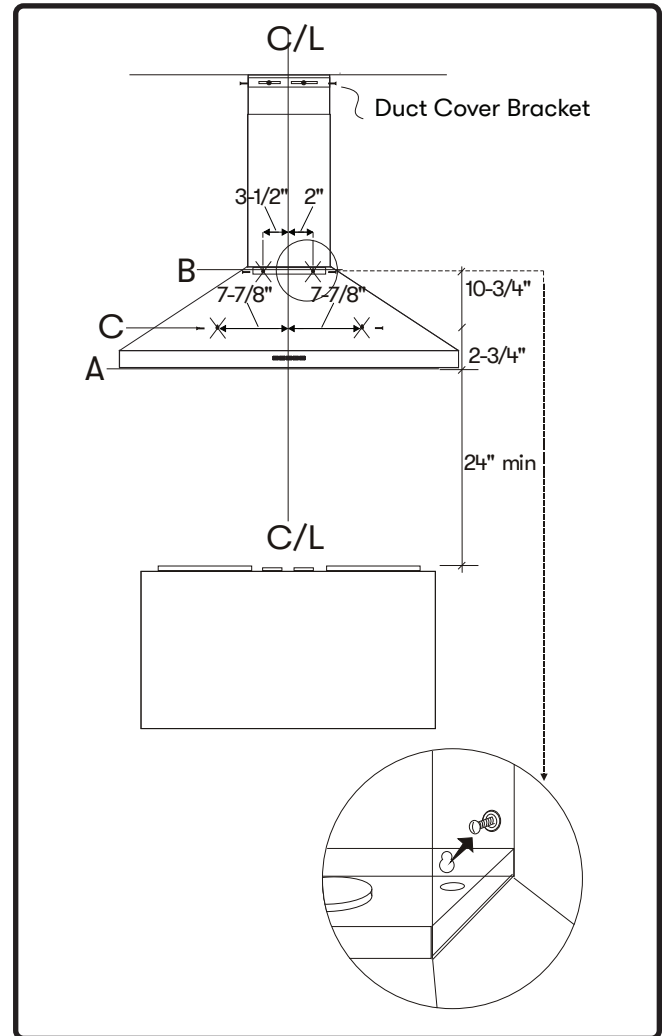


FIG. B



## Ductless Recirculation

Ductless recirculation is intended for applications where an exhaust duct work is not possible to be installed. When converted, the hood functions as a recirculating hood rather than an exhaust hood. Fumes and exhaust from cooking are drawn and filtered by a set of optional charcoal filters. The air is then purified and re-circulated back within the home.

We recommend to ALWAYS exhaust air outside of the home by employing existing or installing new duct work, if possible. The hood is most effective and efficient as an exhaust hood. Only when the exhaust option is not possible should you recourse to converting the hood into a recirculating hood.

When converted to be a recirculating hood, a set of charcoal filters are required on top of its standard grease filter set. Order according to its part number below. The grease filters are intended to capture residue from cooking, and the optional charcoal filters help to purify fumes exhausted from cooking for recirculation.

## Recirculating Kit Installation (required if no ducting is used)

For detailed installation instructions, please refer to the manual included with the recirculating kit. The kit includes the charcoal filters, charcoal filter brackets, and air diverter plate.

| Hood Model | Recirculating Kit Part Number | Filters in Package | Charcoal Filter Replacement Part Number | Quantity to Order |
|------------|-------------------------------|--------------------|---|-------------------|
| BMI        | BRC-0106                      | 1                  | Z0F-C012                                | 1                 |
| BVE        | BRC-0108                      | 2                  | Z0F-C013                                | 2                 |

1. Secure air diverter plate to wall below duct cover bracket, FIG. C. Run 6" ducting from top of hood and secure to air diverter plate.
2. Remove the grease filter(s) from hood. Place charcoal filter(s) over the back side of the grease filter(s). For BVE models, if you have a 30" hood, use scissors to cut the charcoal filters along the perforated line.
3. Secure charcoal filter(s) to back side of the grease filter(s) by (4) brackets for BMI, and (3) brackets for BVE. For BVE models, if you have a 30" hood, the charcoal filter brackets will also need to be resized by bending them at the perforated line until the smaller piece snaps off.
4. Re-install grease filter(s).
5. Charcoal filters must be replaced every 200 hours of use (or approximately every 3 to 4 months based on an average of 1 - 2 hours of daily cooking time).

DO NOT WASH CHARCOAL FILTERS. Charcoal filters may need to be changed more often depending on cooking habits.

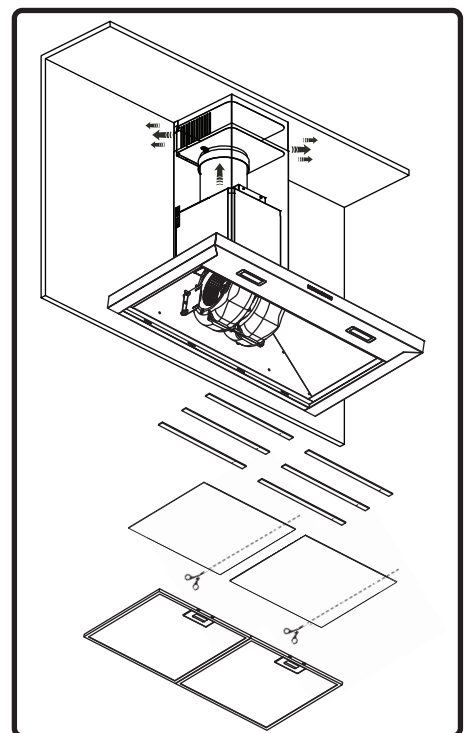


FIG. C

# Features & Controls

## Electronic Touch



### 1. POWER BUTTON

- ▶ The POWER button will turn the power on and off for the entire hood (fan and lights). The hood has a memory function and will remember the last speed and light level it was turned off at.

**DELAY OFF FUNCTION:** With the fan on, press and hold the POWER button for 2 seconds. The fan will change to speed 1 and the POWER button will blink on and off, indicating the delay off timer has started. After 5 minutes, the hood will power off. Pressing the POWER button while the delay off function is enabled will turn off the hood and cancel the delay off function.

**CFM SELECTOR:** CFM Selector allows the installer to set the maximum fan CFM to align with local codes and regulations.

- ▶ To verify the maximum fan CFM, press and hold the POWER button for 5 seconds while the entire hood is powered off. If all three fan speed indicators illuminate = default maximum CFM. If two fan speed indicators illuminate = 290 maximum CFM.

### 2. FAN 1 - FAN 3 BUTTONS

- ▶ There are three fan speed levels. 1 for low speed, 2 for medium speed, and 3 for high speed.

### 3. LIGHTS BUTTON

- ▶ There are two light levels, low and high.
- ▶ From off, press once for low, and press twice for high. Press again to power off the lights.

## Hood & Filter Cleaning

### Surface Maintenance

- ▶ Do not use corrosive detergents, abrasive detergents or oven cleaners.
- ▶ Do not use any product containing chlorine bleach or any product containing chloride.
- ▶ Do not use steel wool or abrasive scrubbing pads which will scratch and damage surface.

### Cleaning Stainless Steel

Clean periodically with warm soapy water and clean cotton cloth or micro fiber cloth. Always rub in the direction of the stainless steel grain. To remove heavier grease build up use a liquid degreaser detergent.

After cleaning use a non-abrasive stainless steel polish/cleaners, to polish and buff out the stainless luster and grain. Always scrub lightly, with clean cotton cloth or micro fiber cloth and buff in the direction of the stainless steel grain.

### Cleaning the Grease Filters

The grease filters are intended to trap residue and grease from cooking. Although the filters should never need replacing, they are required to be cleaned every 30 days or more often depending on cooking habits.

Grease filters may be placed in dishwasher at low heat or soaked in hot soapy water. Dry filters and re-install before using hood.

# Maintenance

## Installing the Grease Filters (FIG. D):

1. Pull down on filter latch to release the filter tabs.
2. Pull down on front of filter to remove the grease filters.

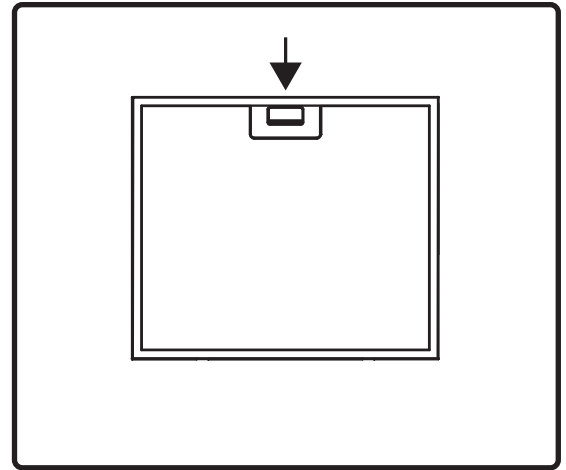


FIG. D

## LED Light Replacement

In the unlikely event that your LED lights fails, please visit <https://store.zephyronline.com> to order replacement parts.

See the list of parts and accessories page for part numbers and contact information.

### LED Removal (FIG. E):

1. Remove grease filter(s).
2. For BMI, remove the screws from the glass canopy. For BVE, remove the screws from the bottom panel.
3. Disconnect LED light quick connector.
4. Push in the two side clips on the ends of the LED light.
5. Push LED light through the light panel opening.

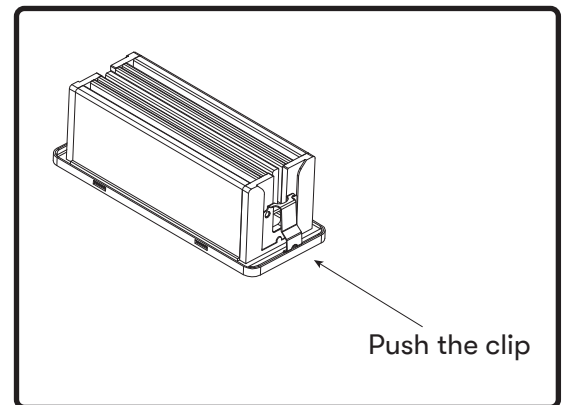




FIG. E

## CFM Selector

Some local codes limit the maximum amount of CFM a range hood can move. CFM Selector allows you to control the maximum blower CFM without the need for expensive make up air kits. CFM Selector enables the installer to easily set the maximum blower speed to the CFM level, 290 CFM. The usage of CFM Selector may not be necessary for your installation. Please check your local codes for CFM restrictions.

 **CAUTION** 

Hood must be disconnected from the main power prior to performing the conversion instructions listed below. Failure to do so could result in personal injury or damage to the product.

 **CAUTION** 

After re-positioning the jumper and powering on the hood, the CFM cannot be changed again.

# CFM Selector Conversion

## Enabling CFM Selector

### To enable CFM Selector:

1. Before hood installation, gain access to PC board by following the steps shown on FIG. F for BMI and FIG. G for BVE.
2. Change plastic jumper positioning as shown in FIG. H to set the desired maximum blower CFM.
3. Re-install PC board and continue with hood installation.
4. Remove the appropriate foil CFM sticker included with the hood literature and place inside the hood body below the wiring diagram or in another clearly visible location.

### To verify if your installer enabled CFM Selector:

1. With hood off, hold the POWER button for 5 seconds. If all three fan speed indicators illuminate = default max. CFM. If two fan speed indicators illuminate = max. 290 CFM.
2. When CFM Selector is enabled, the number of blower speeds will be reduced.
3. There should also be a foil label located inside the hood body near the wiring diagram that indicates the blower CFM.

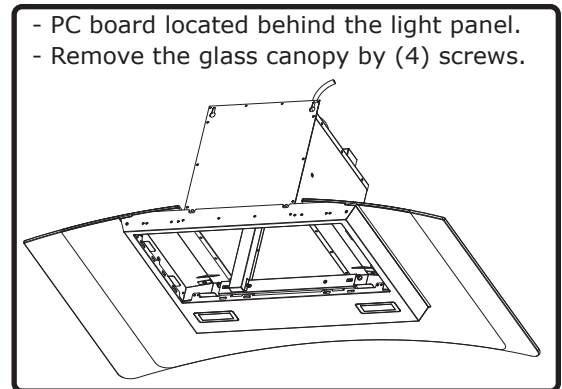


FIG. F

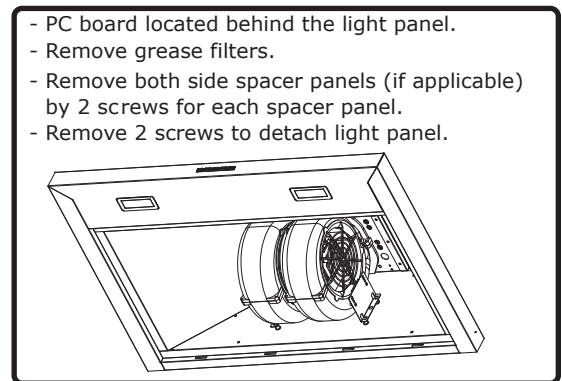


FIG. G

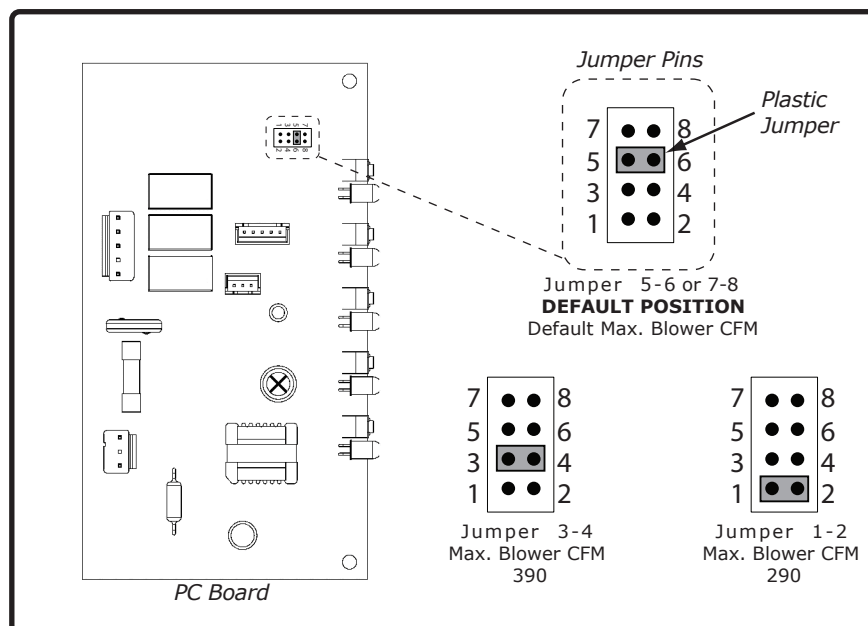
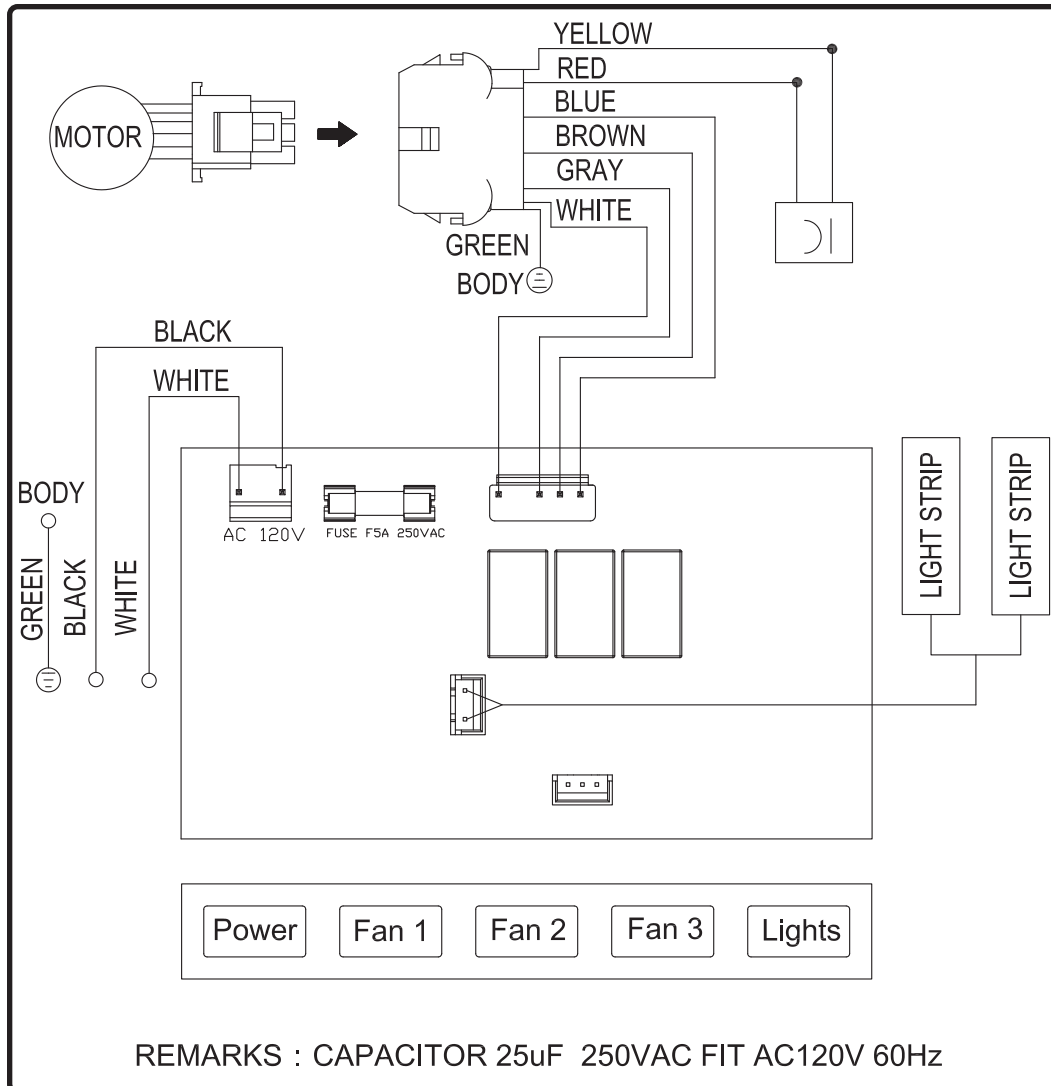


FIG. H



Power consumption shown for default CFM blower configuration

BMI - Max: 3A, 390 CFM: 2.3A, 290 CFM: 1.9A

BVE - Max: 3A, 390 CFM: 2.3A, 290 CFM: 1.9A

# Troubleshooting

| Possible Problem                                   | Possible Cause  | Solutions   |
|--|---|---|
| After installation, the unit doesn't work.         | The power source is not turned ON.  | Make sure the circuit breaker and the unit's power is ON.                           |
|  | The power line and the cable locking connector is not connecting properly.                            | Check the power connection with the unit is connected properly.                     |
|  | The switch board or control board wirings are disconnected.   | Make sure the wirings at the switch board and control board are connected properly. |
|  | The switch board or control board is defective.   | Change the switch board or control board.   |
|  | The wires on control board are loose.   | Make sure the wires on the control board are connected properly.                    |
| Light works, but blower is not turning.            | The blower wire is not connected.   | Make sure the blower wire is plugged into the molex connector.                      |
|  | The thermally protected system detects if the blower is too hot to operate and shuts the blower down. | The blower will function properly after the thermally protected system cool down.   |
|  | Damaged capacitor.  | Change the capacitor.   |
|  | The blower is defective, possibly seized.   | Change the blower.  |
| The unit is vibrating.                             | The blower is not secured in place.   | Tighten the blower in place.  |
|  | Damaged blower wheel.   | Replace the blower.   |
|  | The hood is not secured in place.   | Check the installation of the hood.   |
| The unit is whistling.                             | A filter is not in the correct position.  | Adjust the filters until the whistling stops.                                       |
|  | The duct pipe connections are not sealed or connected properly.                                       | Check the duct pipe connections to be sure all connections are sealed properly.     |
| The blower is working, but the LED lights are not. | The LED light connector is disconnected.  | Connect the LED light connector.  |
|  | Defective LED light.  | Change the LED light.   |
|  | The switch board or control board is defective.   | Change the switch board or control board.   |



| Possible Problem                               | Possible Cause  | Solutions   |
|--|---|---|
| The hood is not venting out properly.          | Using the wrong size of ducting.  | Change the ducting to the correct size.   |
|  | The hood might be hanging too high from the cook top.   | Adjust the distance between the cook top and the bottom of the hood within 24" and 34" range. |
|  | The wind from the opened windows or opened doors in the surrounding area are affecting the ventilation of the hood. | Close all the windows and doors to eliminate the outside wind flow.                           |
|  | Blockage in the duct opening or ductwork.   | Remove all the blocking from the duct work or duct opening.                                   |
| Filter is vibrating.                           | Filter is loose.  | Adjust or change the filter.  |
|  | Spring clip is broken on the filter.  | Change the spring clip.   |
| The speed levels of the blower sound the same. | Using the wrong size of ducting.  | Change the ducting to at least 6" or higher.  |

# List of Parts & Accessories

| Description                             | Part Number |
|---|-------------|
| <b>Replacement Parts</b>                |             |
| LED Light, 6W                           | Z0B0047     |
| Aluminum Mesh Filter (each), BMI        | 50200071    |
| Aluminum Mesh Filter, 30" (each), BVE   | 50200069    |
| Aluminum Mesh Filter, 36" (each), BVE   | 50200070    |
| <b>Optional Accessories</b>             |             |
| Recirculating Kit, BMI                  | BRC-0106    |
| Recirculating Kit, BVE                  | BRC-0108    |
| Replacement Charcoal Filter (each), BMI | Z0F-C012    |
| Replacement Charcoal Filter (each), BVE | Z0F-C013    |
| Duct Cover Extension, BMI               | B1C-00MI    |
| Duct Cover Extension, BVE               | B1C-00VE    |

To order parts, visit us online at <https://store.zephyronline.com>.

**TO OBTAIN SERVICE UNDER WARRANTY OR FOR ANY SERVICE RELATED QUESTIONS**  
**United States Customers please call: 1-888-880-8368 or contact us at: [zephyronline.com/contact](http://zephyronline.com/contact)**  
**Canada Customers please call: 1-800-361-0799 or Email: [service@distinctive-online.com](mailto:service@distinctive-online.com)**

Zephyr Ventilation, LLC (referred to herein as “we” or “us”) warrants to the original consumer purchaser (referred to herein as “you” or “your”) of Zephyr products (the “Products”) that such Products will be free from defects in materials or workmanship as follows:

**One Year Limited Warranty for Parts:** For one year from the date of your original purchase of the Products, we will provide, free of charge, Products or parts (including LED light bulbs, if applicable) to replace those that failed due to manufacturing defects subject to the exclusions and limitations below. We may choose, in our sole discretion, to repair or replace parts before we elect to replace the Products.

**One Year Limited Warranty for Labor:** For one year from the date of your original purchase of the Products, we will provide, free of charge, the labor cost associated with repairing the Products or parts to replace those that failed due to manufacturing defects subject to the exclusions and limitations below. After the first year from the date of your original purchase, you are responsible for all labor costs associated with this warranty.

**Warranty Exclusions:** This warranty covers only repair or replacement, at our option, of defective Products or parts and does not cover any other costs related to the Products including but not limited to: (a) normal maintenance and service required for the Products and consumable parts such as fluorescent, incandescent or halogen light bulbs, mesh and charcoal filters and fuses; (b) any Products or parts which have been subject to freight damage, misuse, negligence, accident, faulty installation or installation contrary to recommended installation instructions, improper maintenance or repair (other than by us); (c) commercial or government use of the Products or use otherwise inconsistent with its intended purpose; (d) natural wear of the finish of the Products or wear caused by improper maintenance, use of corrosive and abrasive cleaning products, pads, and oven cleaner products; (e) chips, dents or cracks caused by abuse or misuse of the Products; (f) service trips to your home to teach you how to use the Products; (g) damage to the Products caused by accident, fire, floods, acts of God; or (h) Custom installations or alterations that impact serviceability of the Products. If you are outside our service area, additional charges may apply for shipping costs for warranty repair at our designated service locations and for the travel cost to have a service technician come to your home to repair, remove or reinstall the Products. After the first year from the date of your original purchase, you are also responsible for all labor costs associated with this warranty. All Products must be installed by a qualified professional installer to be eligible for warranty repairs or service.

**Limitations of Warranty. OUR OBLIGATION TO REPAIR OR REPLACE, AT OUR OPTION, SHALL BE YOUR SOLE AND EXCLUSIVE REMEDY UNDER THIS WARRANTY. WE SHALL NOT BE LIABLE FOR INCIDENTAL, CONSEQUENTIAL OR SPECIAL DAMAGES ARISING OUT OF OR IN CONNECTION WITH THE USE OR PERFORMANCE OF THE PRODUCTS. THE EXPRESS WARRANTIES IN THE PRECEDING SECTION ARE EXCLUSIVE AND IN LIEU OF ALL OTHER EXPRESS WARRANTIES. WE HEREBY DISCLAIM AND EXCLUDE ALL OTHER EXPRESS WARRANTIES FOR THE PRODUCTS, AND DISCLAIM AND EXCLUDE ALL WARRANTIES IMPLIED BY LAW, INCLUDING THOSE OF MERCHANTABILITY AND FITNESS FOR A PARTICULAR PURPOSE.**

Some states or provinces do not allow limitations on the duration of an implied warranty or the exclusion or limitation of incidental or consequential damages, so the above limitations or exclusions may not apply to you. To the extent that applicable law prohibits the exclusion of implied warranties, the duration of any applicable implied warranty is limited to the same one-year and one-year periods described above if permitted by applicable law. Any oral or written description of the Products is for the sole purpose of identifying the Products and shall not be construed as an express warranty. Prior to using, implementing or permitting use of the Products, you shall determine the suitability of the Products for the intended use, and you shall assume all risk and liability whatsoever in connection with such determination. We reserve the right to use functionally equivalent refurbished or reconditioned parts or Products as warranty replacements or as part of warranty service. This warranty is not transferable from the original purchaser and only applies to the consumer residence where the Product was originally installed located in the United States and Canada. This warranty is not extended to resellers.

**To Obtain Service Under Limited Warranty:** To qualify for warranty service, you must: (a) notify us at the address or telephone number stated below within 60 days of the discovery of the defect; (b) give the model number and serial number; and (c) describe the nature of any defect in the Product or part. At the time of the request for warranty service, you must present evidence of your proof of purchase and proof of the original purchase date. If we determine that the warranty exclusions listed above apply or if you fail to provide the necessary documentation to obtain service, you will be responsible for all shipping, travel, labor and other costs related to the services. This warranty is not extended or restarted upon warranty repair or replacements.

Please check our website for any additional Product information, [www.zephyronline.com](http://www.zephyronline.com).

**Zephyr, 2277 Harbor Bay Parkway, Alameda, CA 94502**

# Product Registration

Congratulations on the purchase of your Zephyr product! Please take a moment to register your new Zephyr product at [www.zephyronline.com/registration](http://www.zephyronline.com/registration)

## IT'S IMPORTANT

Prompt registration helps in more ways than one.

- Ensures warranty coverage should you need service.
- Ownership verification for insurance purposes.
- Notification of product changes or recalls.



Zephyr Ventilation | 2277 Harbor Bay Pkwy. | Alameda, CA 94502