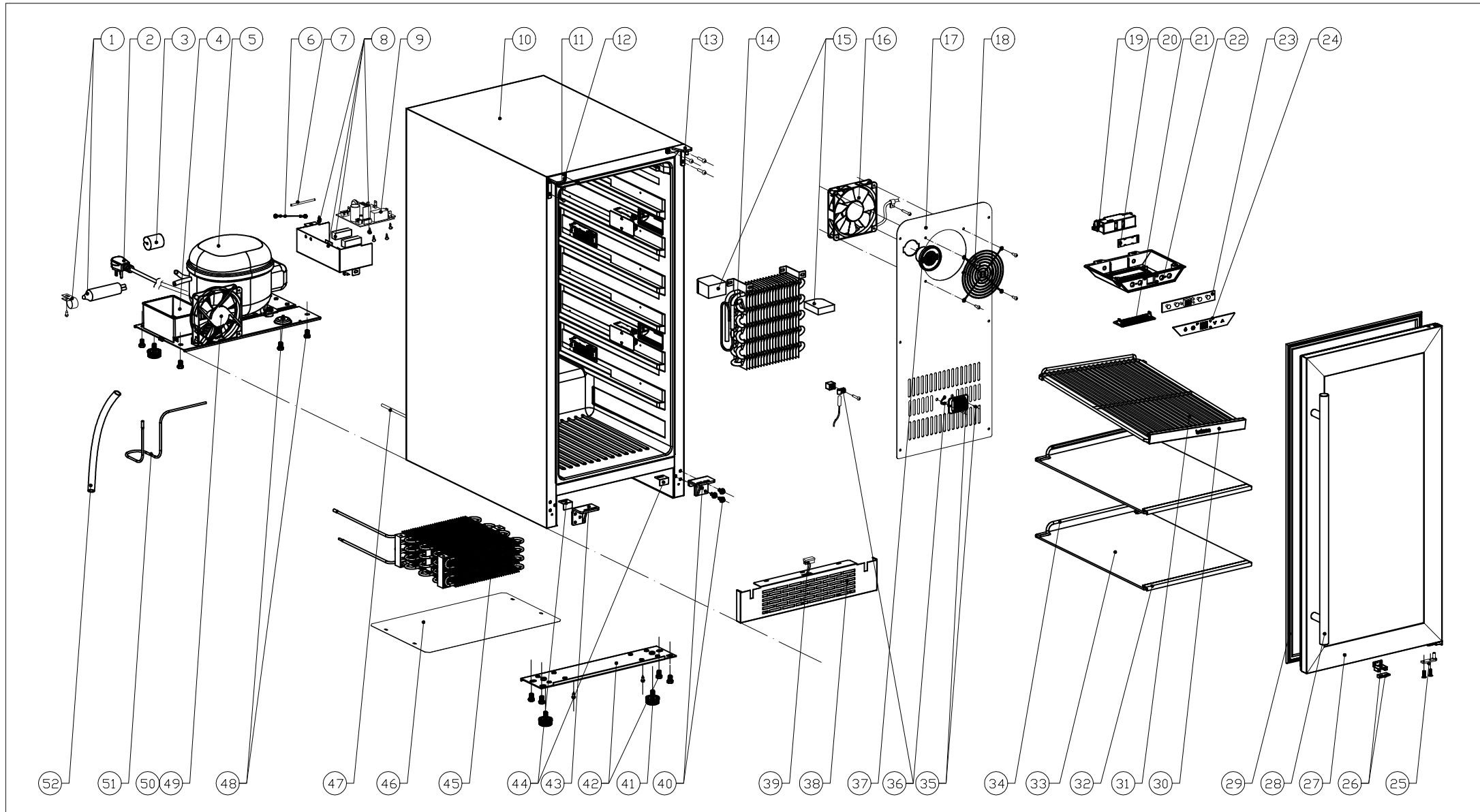


BBV15C01AG

Single Zone Beverage Cooler

brisas
BY ZEPHYR



BBV15C01AG

| Ref # | Part # | Description | Qty. |
|-------|----------|--------------------------|------|
| 1 | 56300003 | Dryer Filter | 1 |
| 2 | 11030184 | Power Cord | 1 |
| 3 | 56220051 | Anti Vibration Gasket | 2 |
| 4 | 56130043 | Drip Tray | 1 |
| 5 | 12160013 | Compressor | 1 |
| 5-1 | 11050038 | Compressor Starter | 1 |
| 5-2 | 11050039 | Compressor Relay | 1 |
| 6-1 | 11030209 | Compressor Ground Wire | 1 |
| 6-2 | 11030130 | Compressor Ground Wire | 1 |
| 7 | 50330010 | Sealing Tube | 1 |
| 8 | 56200111 | Control Board Box | 1 |
| 9 | 11010194 | Main Power Control Board | 1 |
| 11 | 56210116 | Decorative Hole Cover | 3 |
| 12 | 54180047 | Upper Left Hinge | 1 |
| 12-1 | 01020067 | Hinge Screw, M4*12 | 3 |
| 13 | 54180044 | Upper Right Hinge | 1 |
| 13-1 | 01020067 | Hinge Screw, M4*12 | 3 |
| 14 | 54240030 | Evaporator | 1 |
| 15-1 | 56180015 | Evaporator Foam | 1 |
| 15-2 | 56180028 | Evaporator Foam | 1 |
| 16 | 12130043 | Fan Assembly | 1 |
| 17 | 54170023 | Air Duct Board | 1 |
| 18 | 54210017 | Fan Cover | 1 |
| 19 | 54140283 | Light Holder | 1 |
| 20 | 12010025 | LED Light Board | 1 |
| 21 | 52150014 | Light Cover | 1 |
| 22 | 56200107 | Display Panel Box | 1 |

| | | | |
|------|----------|-------------------------------|---|
| 23 | 11010110 | Display Control Board | 1 |
| 24 | 52050021 | Display Panel | 1 |
| 25 | 54190062 | Door Axis Plate | 1 |
| 25-1 | 01020082 | Screw, M5*8 | 2 |
| 26 | 54220011 | Magnet | 1 |
| 26-1 | 54140247 | Magnet Bracket | 1 |
| 27 | 50230047 | Door | 1 |
| 28 | 50280003 | Handle | 1 |
| 29 | 56220048 | Door Gasket | 1 |
| 31 | 50150071 | Wire Rack Shelf w/Logo | 1 |
| 33 | 50150072 | Glass Shelf | 2 |
| 35 | 54210014 | Sensor Cover | 1 |
| 36-1 | 11050008 | Sensor | 1 |
| 36-2 | 11050007 | Sensor | 1 |
| 37 | Z0F-C004 | Carbon Filter | 1 |
| 38 | 50260028 | Kick Plate | 1 |
| 38-1 | 01020073 | Screw, ST4*8 | 5 |
| 39 | 11040033 | Magnet Switch | 1 |
| 39-1 | 54150026 | Clip | 1 |
| 40 | 54180045 | Lower Right Hinge | 1 |
| 40-1 | 01020052 | Bolt, M5*12 | 3 |
| 41 | 50350008 | Leveling Leg | 4 |
| 42 | 54140294 | Bottom Bracket | 1 |
| 42-1 | 01060015 | Bolt, M8*16 | 4 |
| 43 | 54180046 | Lower Left Hinge | 1 |
| 43-1 | 01020052 | Bolt, M5*12 | 3 |
| 44 | 54140289 | Cabinet Bracket | 2 |
| 45 | 54270005 | Condensor | 1 |
| 46 | 54210018 | Conndensor Cover | 1 |
| 46-1 | 01020073 | Screw, ST4*8 | 4 |
| 47 | 56230008 | Gas Return Pipe Rubber Sleeve | 1 |
| 48 | 54190068 | Compressor Support Plate | 1 |

| | | | |
|------|----------|--------------------|---|
| 48-1 | 01060015 | Bolt, M8*16 | 4 |
| 49 | 54210016 | Fan Cover | 1 |
| 50 | 12130044 | Fan Assembly | 1 |
| 51 | 50330042 | Connecting Pipe | 1 |
| 52 | 50330025 | Exhaust Water Pipe | 1 |

OCT24.0101