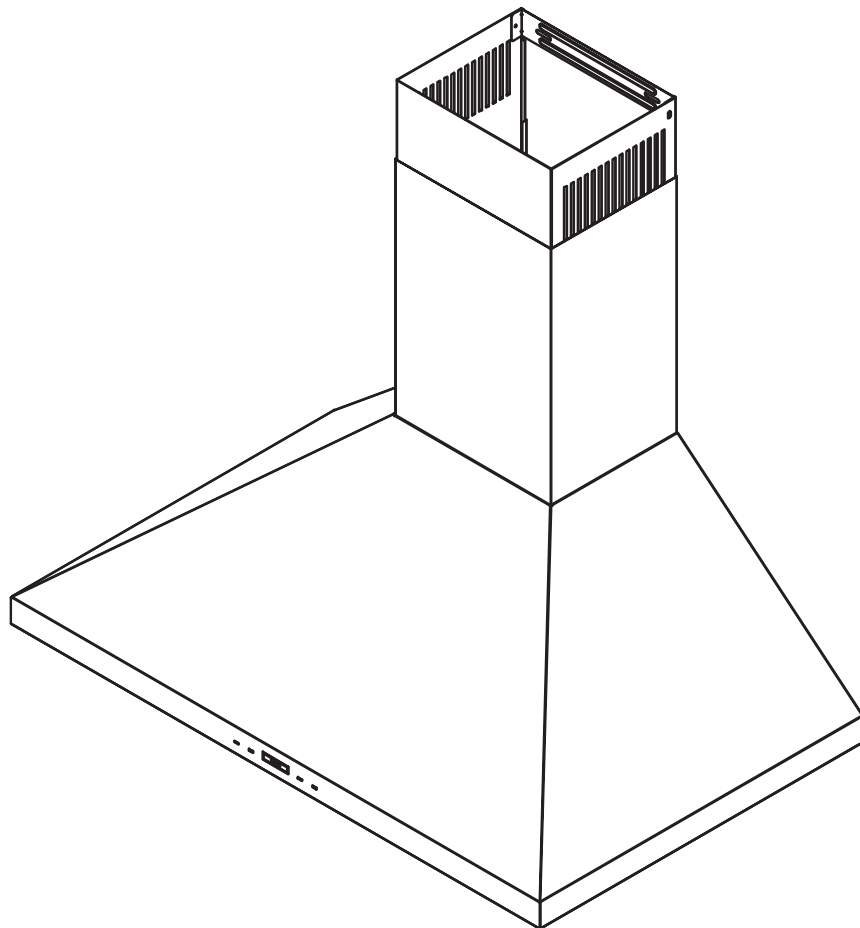


## Siena

ZSI-E30DS, ZSI-E36DS

EN Use, Care, and Installation Guide

FR Guide d'utilisation, d'entretien et d'installation



ACT™  
Airflow Control Technology

Register Your Product Today  
[zephyronline.com/registration](http://zephyronline.com/registration)



UL US LISTED



---

	Page
<b>Safety Information .....</b>	<b>4-6</b>
Types of Safety Warnings.....	4
General Safety .....	4-5
Operation .....	6
Electrical Requirements .....	6
Federal Communication Commission Interface Statement .....	6
<b>List of Materials.....</b>	<b>7</b>
<b>Installation Instructions.....</b>	<b>8-18</b>
Ducting Calculation Sheet.....	8
Mounting Height, Clearance, & Ducting .....	9-10
Ducting Options .....	11
Hood Specifications.....	12
Electrical Supply.....	13
Mounting the Hood.....	14-15
Horizontal Ducting Conversion .....	15-17
Ductless Recirculation .....	17
Recirculating Kit Installation .....	18
<b>Features &amp; Controls.....</b>	<b>19-22</b>
ICON Touch LCD Controls .....	19-20
Optional RF Remote Control.....	21-22
<b>Maintenance .....</b>	<b>23-24</b>
Hood & Filter Cleaning.....	23-24
LumiLight LED .....	24
<b>ACT™ Conversion.....</b>	<b>25-26</b>
Airflow Control Technology (ACT™) .....	25
Enabling ACT™ .....	26
<b>Wiring Diagram.....</b>	<b>27</b>
<b>Troubleshooting.....</b>	<b>28-29</b>
<b>List of Parts &amp; Accessories .....</b>	<b>30</b>
<b>Limited Warranty .....</b>	<b>31</b>
<b>Product Registration.....</b>	<b>32</b>

# Safety Information

## READ AND SAVE THESE INSTRUCTIONS

**Your safety and the safety of others are very important.** We have provided many important safety messages in this manual for your appliance. Always read and obey all safety messages.



This is the Safety Alert Symbol. This symbol alerts you to potential hazards that can cause severe bodily injury or death. All safety messages will follow the Safety Alert Symbol and either the words “DANGER” “WARNING” or “CAUTION”



### General Safety



WARNING - TO REDUCE THE RISK OF FIRE, ELECTRIC SHOCK, OR INJURY TO PERSONS, OBSERVE THE FOLLOWING:

- Use this unit only in the manner intended by the manufacturer. If you have questions, contact the manufacturer.
- Before servicing or cleaning unit, switch power off at service panel and lock the service disconnecting means to prevent power from being switched on accidentally. When the service disconnecting means cannot be locked, securely fasten a prominent warning device, such as a tag, to the service panel.



WARNING - TO REDUCE THE RISK OF A RANGE TOP GREASE FIRE:

- Never leave surface units unattended at high settings. Boilovers cause smoking and greasy spillovers that may ignite. Heat oils slowly on low or medium settings.
- Always turn hood ON when cooking at high heat or when flambeing food. (i.e. Crepes Suzette, Cherries Jubilee, Peppercorn Beef Flambe’).
- Clean ventilating fans frequently. Grease should not be allowed to accumulate on fan or filter.
- Use proper pan size. Always use cookware appropriate for the size of the surface element.

## READ AND SAVE THESE INSTRUCTIONS



**WARNING - TO REDUCE THE RISK OF INJURY TO PERSONS IN THE EVENT OF A RANGE TOP GREASE FIRE, OBSERVE THE FOLLOWING<sup>o</sup>:**

- a) **SMOTHER FLAMES** with a close-fitting lid, cookie sheet, or metal tray, then turn off the burner. **BE CAREFUL TO PREVENT BURNS.** If the flames do not go out immediately, **EVACUATE AND CALL THE FIRE DEPARTMENT.**
- b) **NEVER PICK UP A FLAMING PAN** – You may be burned.
- c) **DO NOT USE WATER**, including wet dishcloths or towels – a violent steam explosion will result.
- d) Use an extinguisher **ONLY** if:
  - 1) You know you have a Class ABC extinguisher, and you already know how to operate it.
  - 2) The fire is small and contained in the area where it started.
  - 3) The fire department is being called.
  - 4) You can fight the fire with your back to an exit

<sup>o</sup>Based on “Kitchen Firesafety Tips” published by NFPA.



**WARNING - TO REDUCE THE RISK OF FIRE, ELECTRIC SHOCK, OR INJURY TO PERSONS, OBSERVE THE FOLLOWING:**

- a) Installation work and electrical wiring must be done by qualified person(s) in accordance with all applicable codes and standards, including fire-rated construction.
- b) Sufficient air is needed for proper combustion and exhausting of gases through the flue (chimney) of fuel burning equipment to prevent back drafting. Follow the heating equipment manufacturer’s guideline and safety standards such as those published by the National Fire Protection Association (NFPA), and the American Society for Heating, Refrigeration and Air Conditioning Engineers (ASHRAE), and the local code authorities.
- c) When cutting or drilling into wall or ceiling, do not damage electrical wiring and other hidden utilities.
- d) Ducted fans must always be vented to the outdoors.
- e) If this unit is to be installed over a tub or shower, it must be marked as appropriate for the application and be connected to a GFCI (Ground Fault Circuit Interrupter) - protected branch circuit.

### Operation

- ▶ Always leave safety grilles and filters in place. Without these components, operating blowers could catch onto hair, fingers and loose clothing.
- ▶ The manufacturer declines all responsibility in the event of failure to observe the instructions given here for installation, maintenance and suitable use of the product. The manufacturer further declines all responsibility for injury due to negligence and the warranty of the unit automatically expires due to improper maintenance.

**NOTE:** Please check [www.zephyronline.com](http://www.zephyronline.com) for revisions before doing any custom work.



# Safety Information

## READ AND SAVE THESE INSTRUCTIONS

### Electrical Requirements

#### Important:

- ▶ Observe all governing codes and ordinances.
- ▶ It is the customer's responsibility to be aware of these below:
- ▶ To contact a qualified electrical installer.
- ▶ To assure that the electrical installation is adequate and in conformance with National Electrical Code, ANSI/NFPA 70 latest edition\* or CSA standards C22.1-94, Canadian Electrical Code, Part 1 and C22.2 No.0-M91 - latest edition\*\* and all local codes and ordinances.
- ▶ If codes permit and a separate ground wire is used, it is recommended that a qualified electrician determine that the ground path is adequate.
- ▶ Do not ground to a gas pipe.
- ▶ Check with a qualified electrician if you are not sure the range hood is properly grounded.
- ▶ Do not have a fuse in the neutral or ground circuit.
- ▶ This appliance requires a 120V 60Hz electrical supply and connected to an individual properly grounded branch circuit protected by a 15 or 20 ampere circuit breaker or time delay fuse. Wiring must be 2 wire with ground. Please also refer to Electrical Diagram on product.
- ▶ Instructions for bonding the appliance to ground:  
The grounding-type attachment plug provided with this appliance shall be connected to a grounding-type receptacle installed in accordance with CSA C22.1, Canadian Electrical Code, Part I. In the event of an electrical short circuit, bonding to ground reduces the risk of electric shock.  
**WARNING:** Improper bonding to ground can result in a risk of electric shock.  
Consult a qualified electrician if the grounding instructions are not completely understood, or if doubt exists as to whether the appliance is properly bonded to ground. Do not use an extension cord. If the power supply cord is too short, have a qualified electrician install an outlet near the appliance.
- ▶ A cable locking connector (not supplied) might also be required by local codes. Check with local requirements, purchase and install appropriate connector if necessary.

\* National Fire Protection Association Batterymarch Park, Quincy, Massachusetts 02269

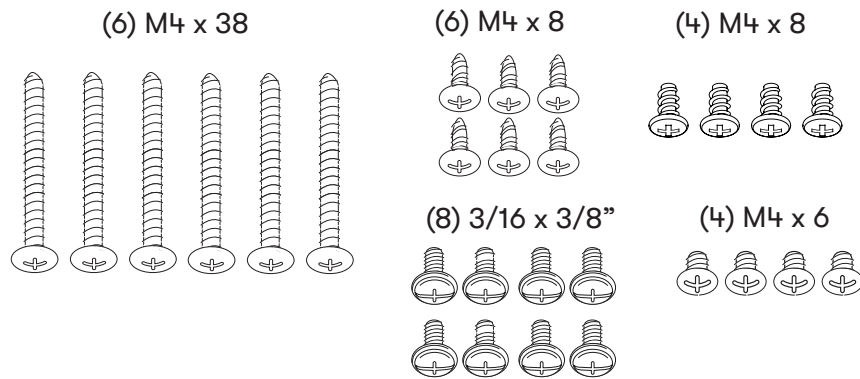
\*\* CSA International 8501 East Pleasant Valley Road, Cleveland, Ohio 44131-5575

### Federal Communication Commission Interface Statement

- ▶ This equipment has been tested and found to comply with the limits for a Class B digital device, pursuant to Part 15 of the FCC Rules. These limits are designed to provide reasonable protection against harmful interference in a residential installation.
- ▶ This equipment generates, uses and can radiate radio frequency energy and, if not installed and used in accordance with the instructions, may cause harmful interference to radio communications. However, there is no guarantee that interference will not occur in a particular installation. If this equipment does cause harmful interference to radio or television reception, which can be determined by turning the equipment off and on, the user is encouraged to try to correct the interference by one of the following measures:
- ▶ Reorient or relocate the receiving antenna.
- ▶ Increase the separation between the equipment and receiver.
- ▶ Connect the equipment into an outlet on a circuit different from that to which the receiver is connected.
- ▶ Consult the dealer or an experienced radio/TV technician for help.

### Parts Supplied

Quantity	Part
1	Hood with internal blower
2	Duct covers, 1 upper & 1 lower
1	Duct cover bracket
2	Baffle filters
2	LumiLight LED, 6W (pre-installed)
1	8" round backdraft damper
1	3-1/4" x 10" rectangular collar (rear ducting only)
1	Rear ducting motor mount brackets
1	Top cover plate (rear ducting only)
1	Hardware package


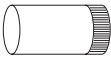
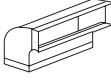
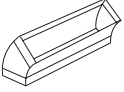

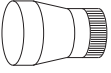
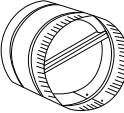
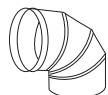
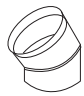


### Parts Not Supplied

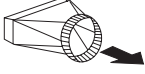
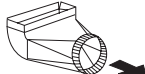
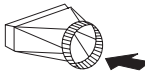
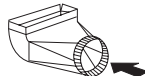
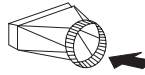
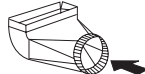
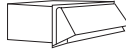
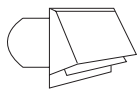

Ducting, conduit and all installation tools
Cable locking connector (if required by local codes)
Extension duct covers (Z1C-00SI)
Optional remote control (RC-0002)
Optional recirculating kit (ZRC-00SI)

# Installation Instructions

## Ducting Calculation Sheet

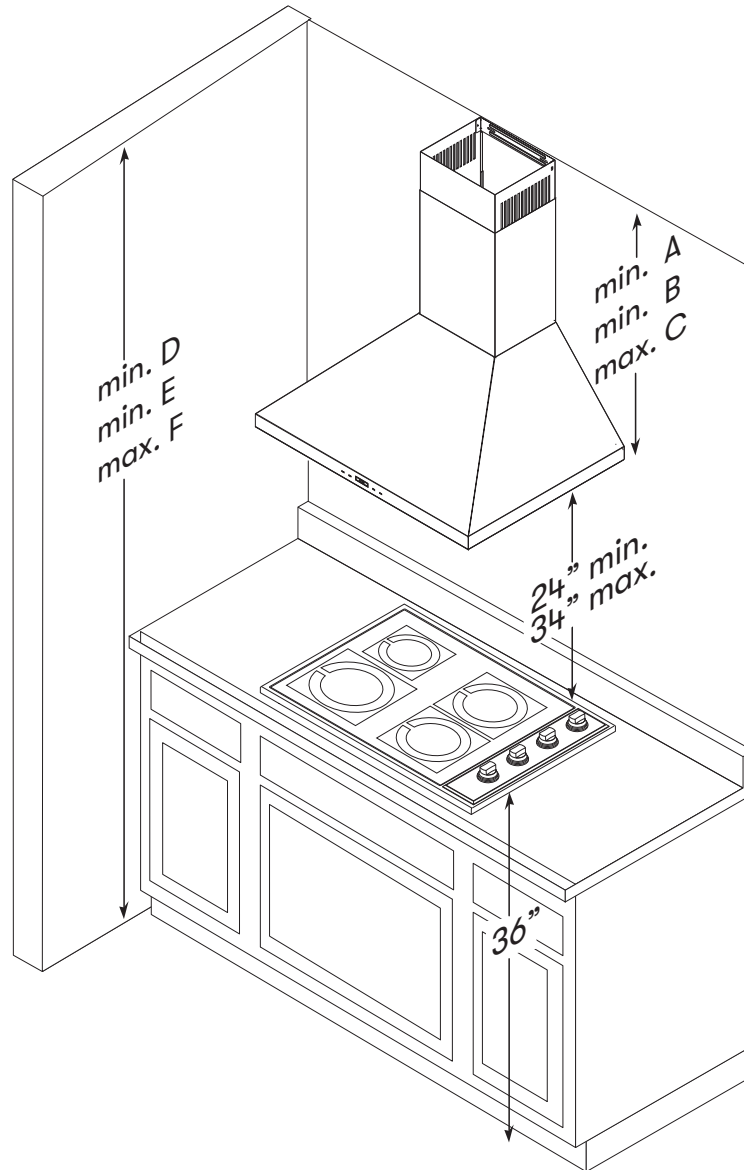
Duct pieces		Equivalent number length x used =	Total
	3-1/4" x 10" Rect., straight	1 Ft. x ( ) =	Ft.
	6", 7", 8", 10" Round, straight	1 Ft. x ( ) =	Ft.
	3-1/4" x 10" Rect. 90° elbow	15 Ft. x ( ) =	Ft.
	3-1/4" x 10" Rect. 45° elbow	9 Ft. x ( ) =	Ft.
	3-1/4" x 10" Rect. 90° flatelbow	24 Ft. x ( ) =	Ft.
	7" to 6" or 8" to 7" Round tapered reducer	25 Ft. x ( ) =	Ft.
	6", 7", 8" Round in-line damper	15 Ft. x ( ) =	Ft.
	6", 7", 8", 10" Round, 90° elbow	15 Ft. x ( ) =	Ft.
	6", 7", 8", 10" Round, 45° elbow	9 Ft. x ( ) =	Ft.
<b>Subtotal column 1 =</b>			<b>Ft.</b>

**Maximum Duct Length:** For satisfactory air movement, the total duct length should not exceed 150 equivalent feet.

Duct pieces		Equivalent number length x used =	Total
	3-1/4" x 10" Rect. to 6" round transition	5 Ft. x ( ) =	Ft.
	3-1/4" x 10" Rect. to 6" round transition 90° elbow	20 Ft. x ( ) =	Ft.
	6" round to 3-1/4" x 10" rect. transition	1 Ft. x ( ) =	Ft.
	6" round to 3-1/4" x 10" rect. transition 90° elbow	16 Ft. x ( ) =	Ft.
	7" round to 3 1/4" x 10" rect. transition	8 Ft. x ( ) =	Ft.
	7" round to 3-1/4" x 10" rect. transition 90° elbow	23 Ft. x ( ) =	Ft.
	3-1/4" x 10" Rect. wall cap with damper	30 Ft. x ( ) =	Ft.
	6", 7", 8", 10" Round, wall cap with damper	30 Ft. x ( ) =	Ft.
	6", 7", 8", 10" Round roof cap	30 Ft. x ( ) =	Ft.
<b>Subtotal column 2 =</b>			<b>Ft.</b>
<b>Subtotal column 1 =</b>			<b>Ft.</b>
<b>Total ductwork =</b>			<b>Ft.</b>



## Mounting Height, Clearance, & Ducting



	Standard Duct Cover	Extension Duct Cover
<b>Hood Heights</b>		
minimum ducted (A)	28-1/2"	47-1/2"
minimum recirculating (B)	32"	51"
maximum (C)	42"	78-1/2"
<b>Ceiling Heights</b>		
minimum ducted (D)	88-1/2" (7' 4-1/2")	107-1/2" (8' 11-1/2")
minimum recirculating (E)	92" (7' 8")	111" (9' 3")
maximum (F)	112" (9' 4")	148-1/2" (12' 4-1/2")

# Installation Instructions

---

## Mounting Height, Clearance, & Ducting

A minimum of 8" round duct and 3-1/4" x 10" rectangular duct (horizontal rear ducting only) is recommended to maintain maximum air flow efficiency.

Always use rigid type metal ducts only. Flexible ducts could restrict air flow by up to 50%.

Also use the ducting calculation sheet (on page 8) to compute total available duct run when using elbows, transitions and caps.

ALWAYS, when possible, reduce the number of transitions and turns. If long duct run is required, increase duct size.

If turns or transitions are required; install as far away from hood duct output and as far apart, between the two as possible.

Minimum mount height between range top to hood bottom should be no less than 24".

Maximum mount height should be no higher than 34".


It is important to install the hood at the proper mounting height. Hoods mounted too low could result in heat damage and fire hazard; while hoods mounted too high will be hard to reach and will lose its performance and efficiency.

If available, also refer range manufacturer's height clearance requirements and recommended hood mounting height above range. Always check your local codes for any differences.


### For shipment and installation damages:

- ▶ Please fully inspect unit for damage before installation.
- ▶ If the unit is damaged in shipment, return the unit to the store in which it was bought for repair or replacement.
- ▶ If the unit is damaged by the customer, repair or replacement is the responsibility of the customer.
- ▶ If the unit is damaged by the installer (if other than the customer), repair or replacement must be made by arrangement between customer and installer.

## Ducting Options

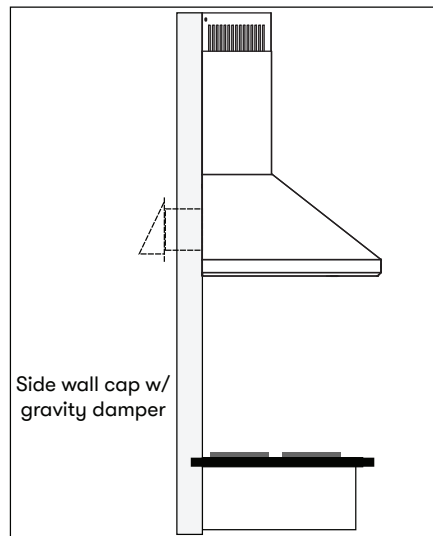
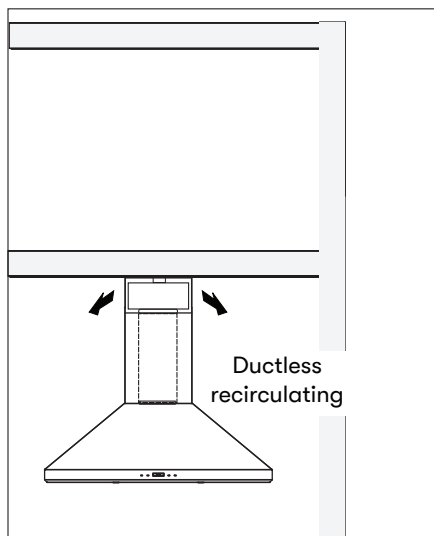
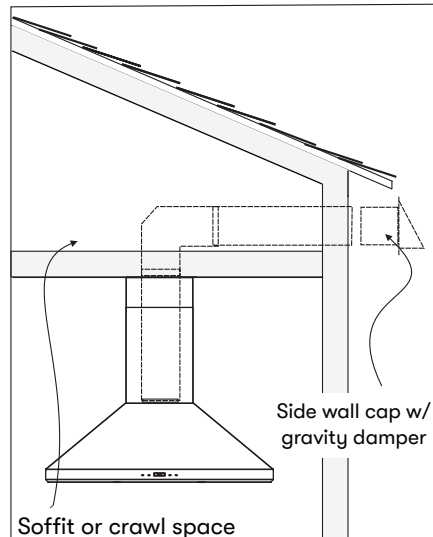
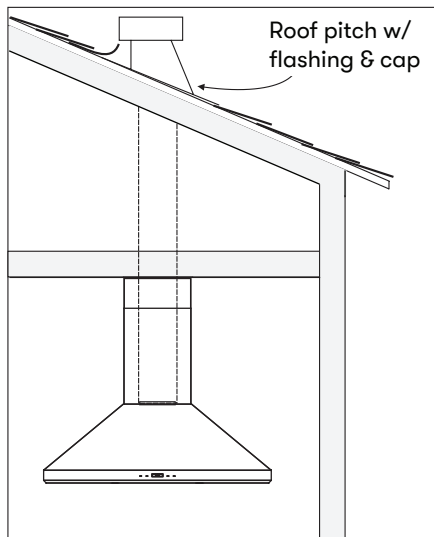


# WARNING



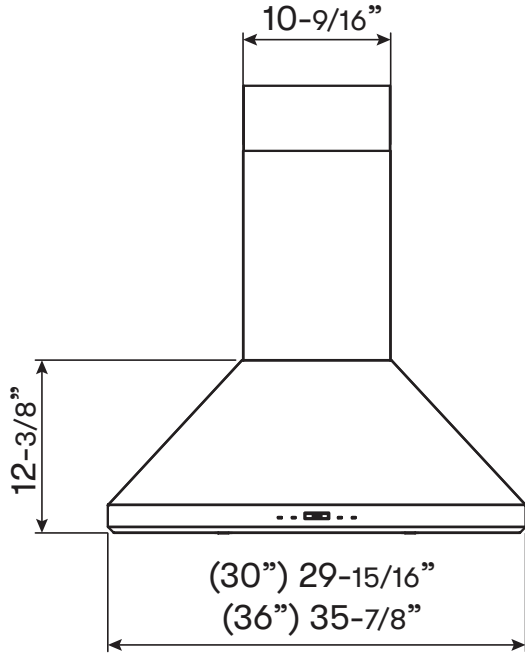
**Fire Hazard:** NEVER exhaust air or terminate ductwork into spaces between walls, crawl spaces, ceilings, attics, or garages. All exhaust must be ducted to the outside, unless using the recirculating option.

- ▶ Use single wall rigid metal ductwork only.
- ▶ Fasten all connections with sheet metal screws and tape all joints w/ certified Silver Tape or Duct Tape.

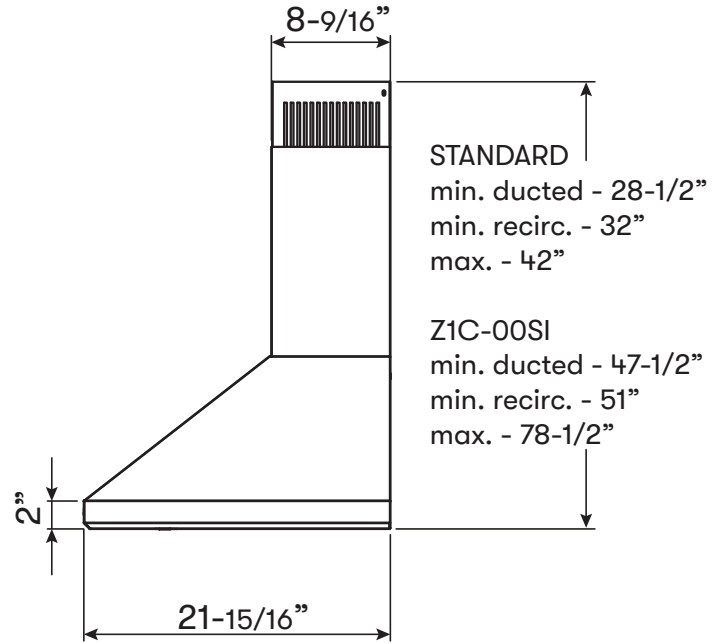


# Installation Instructions

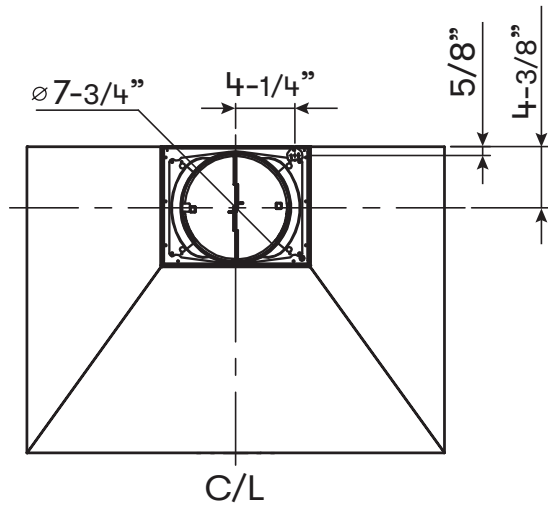
## Hood Specifications



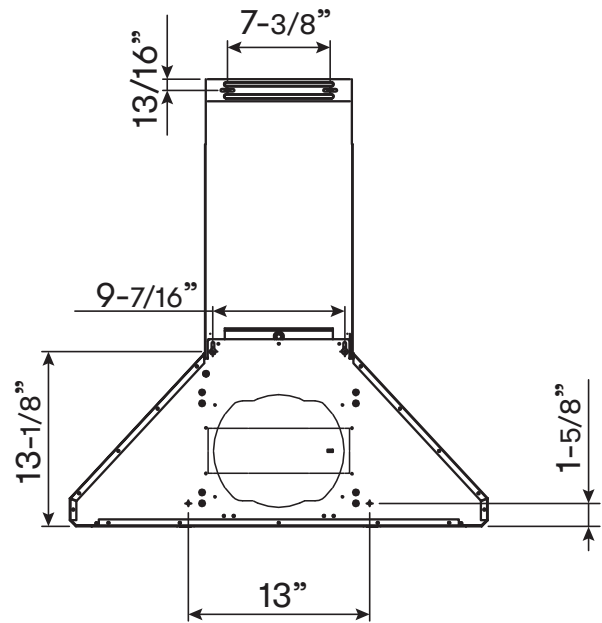
**FRONT**



**SIDE**

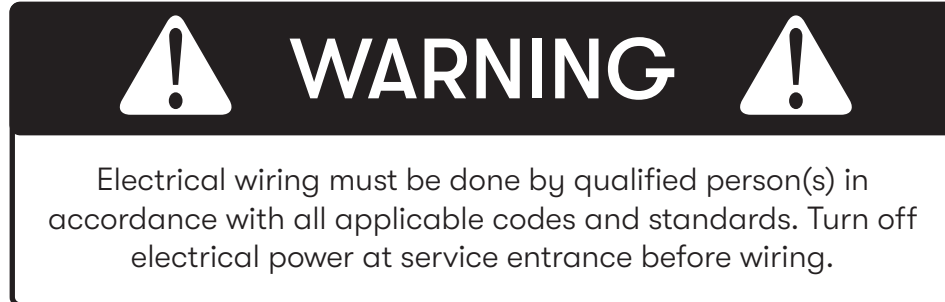


**TOP**



**BACK**

## Electrical Supply



For personal safety, remove house fuse or open circuit breaker before beginning installation. Do not use extension cord or adapter plug with this appliance.

**Follow national electrical codes or prevailing local codes and ordinances.**

This appliance requires a 120V 60Hz electrical supply, and connected to an individual, properly grounded branch circuit, protected by a 15 or 20 ampere circuit breaker or time delay fuse. Wiring must be 2 wire w/ ground. Please also refer to the Electrical Diagram labeled on product.

# Installation Instructions

## Mounting the Hood

1. Measure from range top to hood bottom and mark line A. (24" minimum from range top).
2. Plum and mark center line.  
Mark mounting height line B. (1-5/8" from line A)  
Mark mounting height line C. (13-1/8" from line A)  
Mark mounting spread from C/L on line B 13"  
Mark mounting spread from C/L on line C 9-7/16"
3. Fasten (2) M4 x 38 screws into studs on line C. Do not fasten screws all the way, leave approximately 3/8" exposed.  
**NOTE:** Wood blocking may need to be added behind the drywall if no studs are present. Wall anchors may also be used but check local codes for compliance. Failure to use suitable wall anchors and screws to hold the weight of the hood could result in personal injury or damage to cooking surface or counter.
4. Install 8" round duct collar with backdraft damper to top of body of hood by (4) M4 x 8 sheet metal screws.
5. If ducting hood through rear of hood body, cut access hole in wall and prepare ducting.
6. Hang hood onto screws and hand tighten. (FIG. A)  
A) Use the last M4 x 38 screws to further secure the hood to the wall from inside the hood on line B.
7. Center and attach duct cover bracket to wall below ceiling or soffit using (2) M4 x 38 screws.
8. Position electrical outlet within the space covered by the telescopic duct covers and where it will not interfere with the round duct. (FIG. B)
9. \*Install duct work and duct tape. Aluminum duct tape should be used to seal where the collar meets the hood body.
10. Power up hood and check for leaks around duct tape.

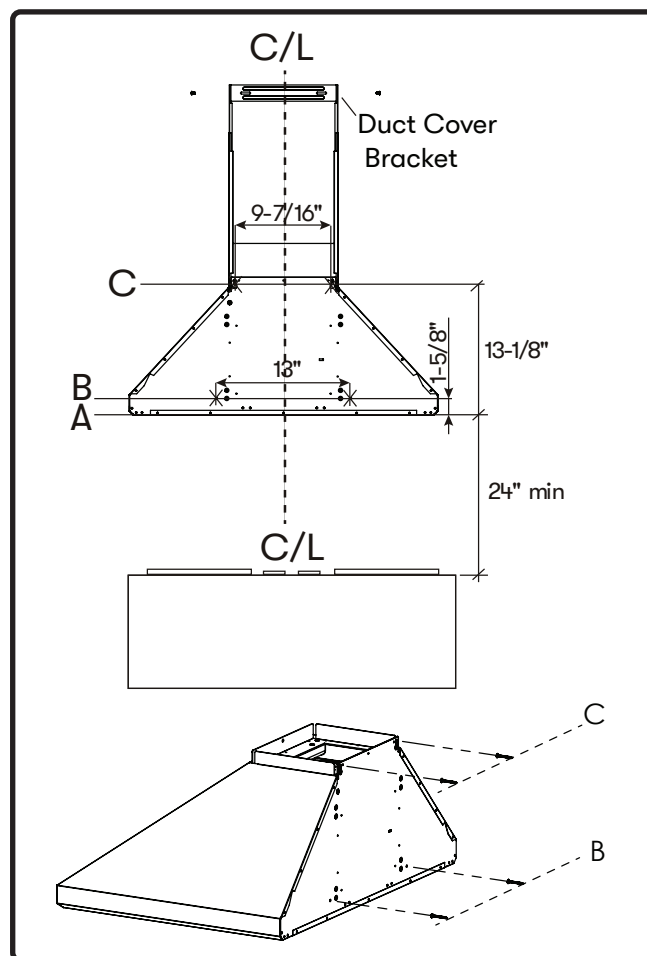


FIG. A

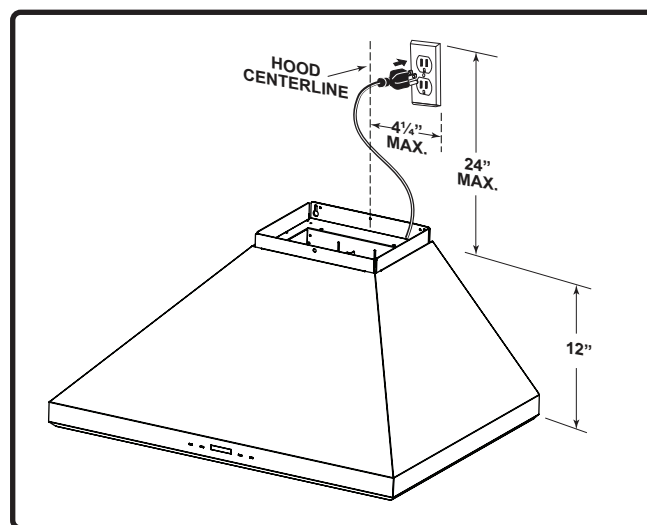


FIG. B

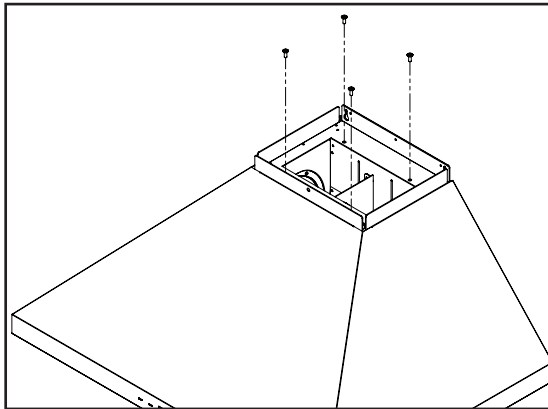
## Mounting the Hood

11. Place telescopic duct covers onto hood and extend inner (top) duct cover upwards and secure to duct cover bracket using (2) M4 x 8 sheet metal screws.

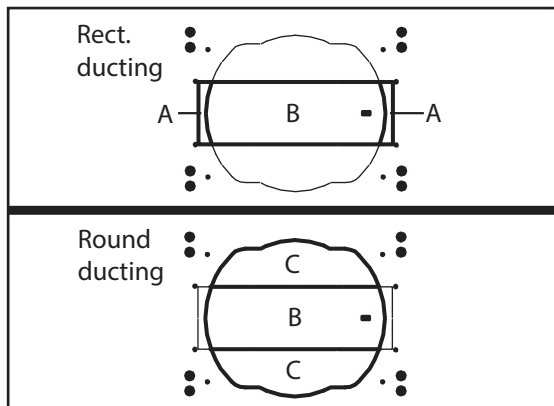
\*If using hood in recirculating mode you must secure air diverter plate onto wall before installing duct work and duct covers. Turn to ductless recirculation section for more details.

## Horizontal Ducting Conversion

This range hood is equipped with a 8" round vertical duct option by default. To convert from 8" round vertical to 8" round horizontal ducting or 3-1/4" x 10" rectangular horizontal ducting, please follow the instructions below.



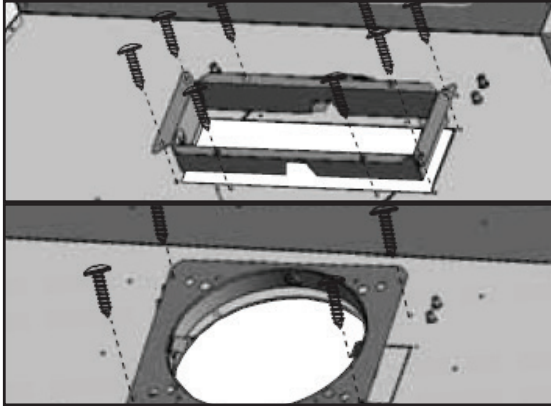
1. Remove (4) screws attaching motor to hood body. Remove the blower and disconnect the blower plug from the hood.



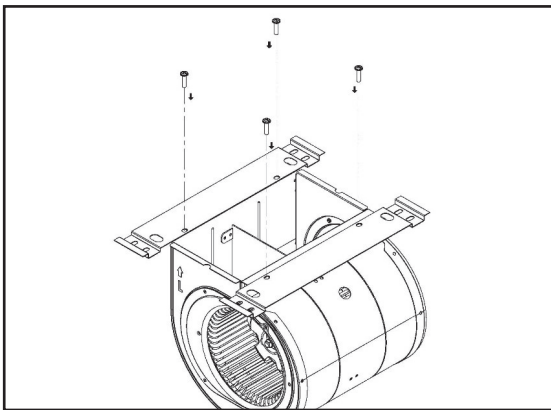
2. Remove knock out plates A & B for rectangular ducting or knock out plates B & C for round ducting with a flat head screwdriver and a rubber mallet.

# Installation Instructions

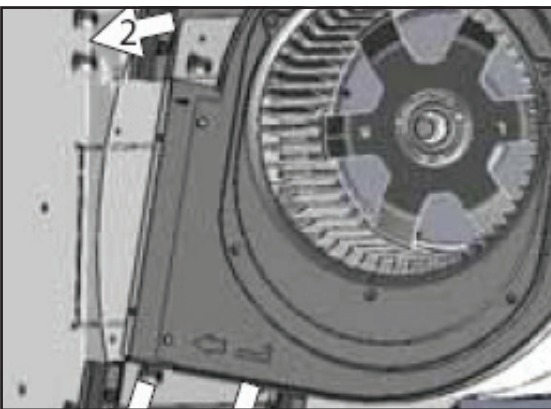
## Horizontal Ducting Conversion



3. Attach rectangular or round duct collar to interior of hood body by (4) M4 x 6 screws for rectangular or (4) M4 x 8 sheet metal screws for round.



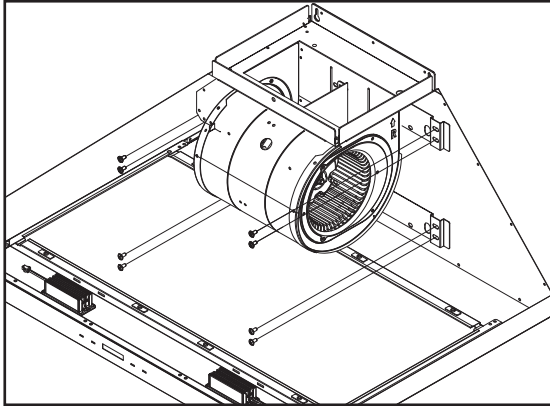
4. Attach rear ducting brackets to motor by (4) previously removed screws from step 1.



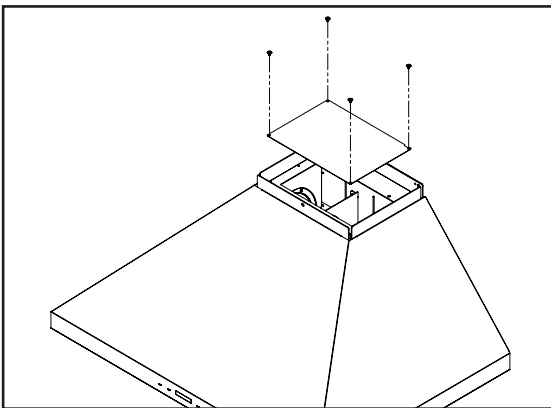
5. Position blower with brackets as shown. Be sure to tuck back of blower bracket into tabs at back of hood.



## Horizontal Ducting Conversion



6. Attach motor to back of hood body by (8) 3/16" x 3/8" screws and reconnect the blower plug.



7. From outside hood body, attach top cover plate to top of hood body using (4) M4 x 8 machine screws.

## Ductless Recirculation

Ductless recirculation is intended for applications where an exhaust duct work is not possible to be installed. When converted, the hood functions as a recirculating hood rather than an exhaust hood. Fumes and exhaust from cooking are drawn and filtered by a set of optional charcoal filters. The air is then purified and re-circulated back within the home.

We recommend to **ALWAYS** exhaust air outside of the home by employing existing or installing new duct work, if possible. The hood is most effective and efficient as an exhaust hood. Only when the exhaust option is not possible should you recourse to converting the hood into a recirculating hood.

When converted to be a recirculating hood, a set of charcoal filters are required on top of its standard Metal Filter set. Order according to its part number below. The standard mesh filters are intended to capture residue from cooking, and the optional charcoal filters help to purify fumes exhausted from cooking for recirculation.

# Installation Instructions

## Recirculating Kit Installation (required if no ducting is used)

For detailed installation instructions, please refer to the manual included with the recirculating kit. The kit includes the charcoal filters, charcoal filter brackets, and air diverter plate.

Hood Model	Recirculating Kit Part Number	Filters in Package	Charcoal Filter Replacement Part Number	Quantity to Order
ZSI-E30DS	ZRC-00SI	2	ZOF-C091	2
ZSI-E36DS	ZRC-00SI	2	ZOF-C091	2

1. Secure air diverter plate to wall below duct cover bracket, FIG. C
2. Remove baffle filters from hood. Place charcoal filter over the back side of baffle filter.
3. Secure charcoal filters to back side of baffle filters by three brackets for each filter.
4. Re-install baffle filters.
5. Charcoal filters must be replaced every 200 hours of use (or approximately every 3 to 4 months based on an average of 1 - 2 hours of daily cooking time).

**DO NOT WASH CHARCOAL FILTERS.** Charcoal filters may need to be changed more often depending on cooking habits.

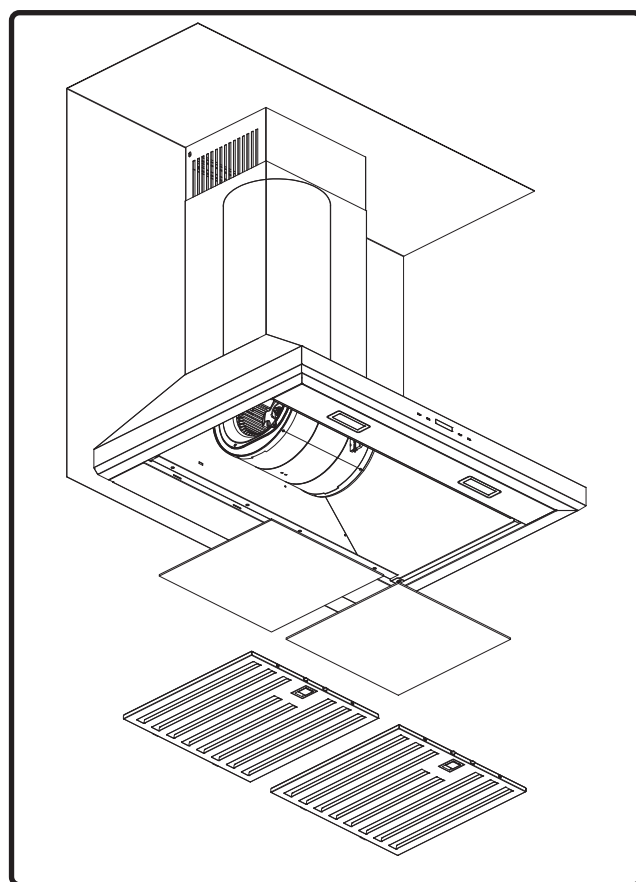
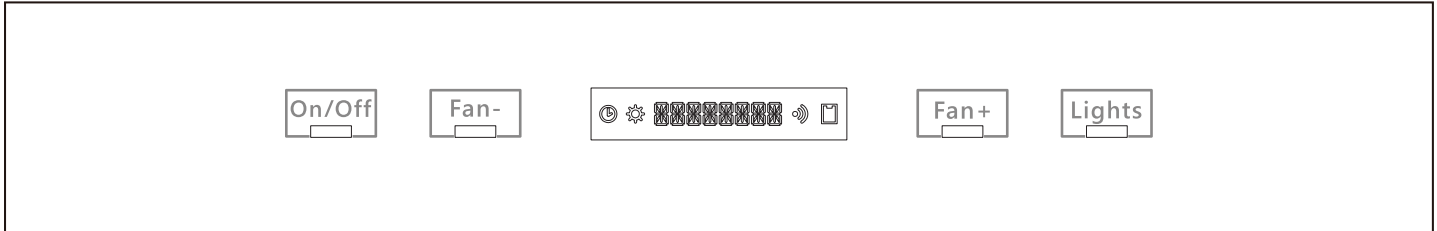


FIG. C

## ICON Touch LCD Controls



### 1. ON/OFF BUTTON

- ▶ The ON/OFF button will turn the power on and off for the entire hood (fan and lights). The hood has a memory function and will remember the last speed and light level it was turned off at.

**NOTE:** "HELLO" appears on the LCD (display) for 3 seconds when the hood turns off. "GOODBYE" appears for 3 seconds when the hood turns off.

**DELAY OFF FUNCTION:** With the fan and/or lights on, press and hold the ON/OFF button for 2 seconds. The fan will change to speed 1, the delay off graphic will illuminate, and the 5 minute delay off timer will begin and be displayed on the LCD. After 5 minutes, the hood will power off.

**ACT™ VERIFICATION:** Airflow Control Technology (ACT™) allows the installer to set the maximum fan CFM to align with local codes and regulations.

- ▶ To verify the maximum fan CFM, press and hold the ON/OFF button for 3 seconds while the entire hood is powered off. The LCD will display up to three options depending on the settings, "ACT 290", "ACT 390", and "ACT OFF".

### 2. FAN- BUTTON

- ▶ Press the FAN- button to decrease the fan speeds from 5, 4, 3, 2, 1, off.

**GREASE FILTER REMINDER (always enabled):** After 60 hours of fan usage, the LCD will scroll through text (only when the hood is powered on) and the FAN- button will slowly blink, indicating it is time to clean the grease filters. If the hood is not powered on, only the FAN- button will slowly blink.

- ▶ With the hood off, pressing the FAN- button will display the instructions to reset the grease filter reminder for a few seconds before reverting back to the scrolling text. Press and hold the FAN- button while the entire hood is powered off to reset the grease filter reminder.

# Features & Controls

## ICON Touch LCD Controls

### 3. FAN+ BUTTON

- ▶ Press the FAN+ button to increase the fan speeds from off, 1, 2, 3, 4, 5.

**CHARCOAL FILTER REMINDER (disabled by default and must be enabled if recirculating hood):**

After 200 hours of fan usage, the LCD will scroll through text only when the hood is powered on) and the FAN+ button will slowly blink, indicating it is time to replace the charcoal filters. If the hood is not powered on, only the FAN+ button will slowly blink.

- ▶ To enable or disable the charcoal filter reminder, press and hold the FAN+ and LIGHTS button for 3 seconds while the entire hood is powered off.
- ▶ With the hood off, pressing the FAN+ button will display the instructions to reset the charcoal filter reminder for a few seconds before reverting back to the scrolling text. Press and hold the FAN+ button while the entire hood is powered off to reset the charcoal filter reminder.

### 4. LIGHTS BUTTON

- ▶ Press the LIGHTS button to cycle through the light levels from off, low, and high.

**TRUEHUE FEATURE:** TrueHue allows you to adjust the color temperature of the lighting from warmer to cooler. The available options are 2700K, 3000K, 3500K, 4000K, and 5000K.

- ▶ To adjust the color temperature of the lights, when the hood is powered off, press and hold the LIGHTS button for 3 seconds. The LCD will display 3000K. Press FAN+ or FAN- to adjust the color temperature. While adjusting, the lights will also turn on to match the color temperature referenced on the LCD. Press the LIGHTS button to confirm the temperature and the lights will turn off, or wait 10 seconds for automatic confirmation.

## Optional RF Remote Control

To enable RF remote control capabilities, the remote control accessory kit is required. The part number for the kit is RC-0002.

### FCC Caution

To assure continued compliance, any changes or modifications not expressly approved by the party responsible for compliance could void the user's authority to operate this equipment. (Example - use only shielded interface cables when connecting to computer or peripheral device. This device complies with Part 15 of the FCC Rules. Operation is subject to the following two conditions. (1) This device may not cause harmful interference, and (2) This device must accept any interference received, including interference that may cause undesired operation.

### Installation

To install remote control accessory kit, please follow these steps below.

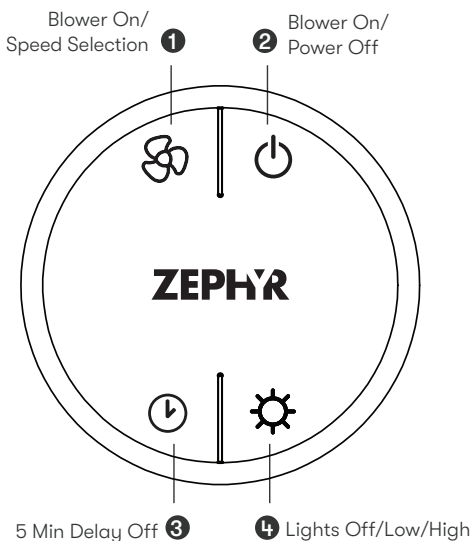
1. Remove grease filters. Remove (2) screws from each side panel.
2. Remove (2) screws on the left and right sides of the light panel. Remove (4) screws attaching internal cover panel.
3. Connect the red wiring from the remote control control board to red connector in hood PC board.
4. Adhere remote control control board near PC board box.
5. The blue antenna wire needs to be extended for optimal signal. There is no need to secure it.

### Synchronization

To create a unique link between your hood and remote control please follow these steps.

1. With hood off, press and hold the ON/OFF and LIGHTS button for 3 seconds. Both the ON/OFF and LIGHTS button will slowly blink while "PAIRING" appears on the LCD. Pairing mode will remain active for 60 seconds or until a remote control has been paired. Pressing the ON/OFF button will cancel pairing mode.
2. Press a button on the remote, and the remote control will be synchronized with the hood.

### RF Remote Control Functions



#### 1 Blower On / Speed Selection

Press to power on blower and cycle through all speeds.

#### 2 Blower On / Power Off

By pressing , the blowers will power on at the last speed setting. Press again and the entire hood will power off, including lights.

#### 3 Delay Off

By pressing , the blower and lights will enter Delay Off mode. The blower will change to speed 1 and a 5 minute timer will begin counting down.

#### 4 Lights Off/Low/High

Switch between light levels by pressing . Turn off the lights by cycling through the different light levels. To adjust the color temperature, press and hold for 3 seconds. Press to cycle through the temperatures and press again to save the setting.

# Features & Controls

## Optional RF Remote Control

### RF Remote Features

The RF remote control is equipped with a magnet on the back for easy storage. The remote may be placed on any magnetic surface such as a refrigerator or the Zephyr remote holder, FIG. D. The remote holder can be inserted into a standard electrical outlet for easy storage. Note: The remote holder does not charge the RF remote.

Maximum remote control communication distance is 15 feet from the hood.

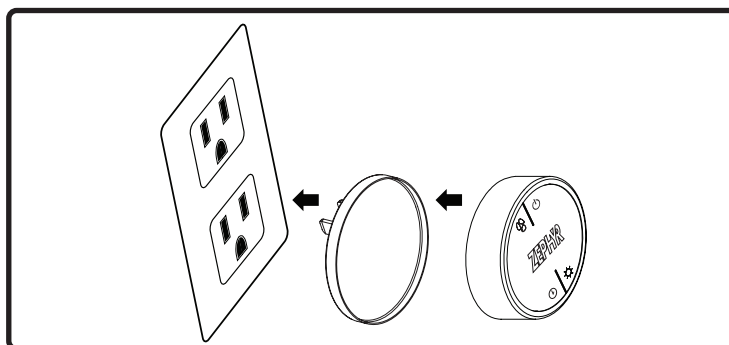


FIG. D

### RF Remote Maintenance

Clean the remote control using non abrasive detergents.

Follow instructions below for replacing battery. Using a small flat head screwdriver, raise the cover of the battery door (A) in order to access the battery compartment. FIG. E.

Remove the battery and replace with battery type A23 12V. Negative end of battery should face the spring inside the remote.

Re-install battery door and recycle old battery.

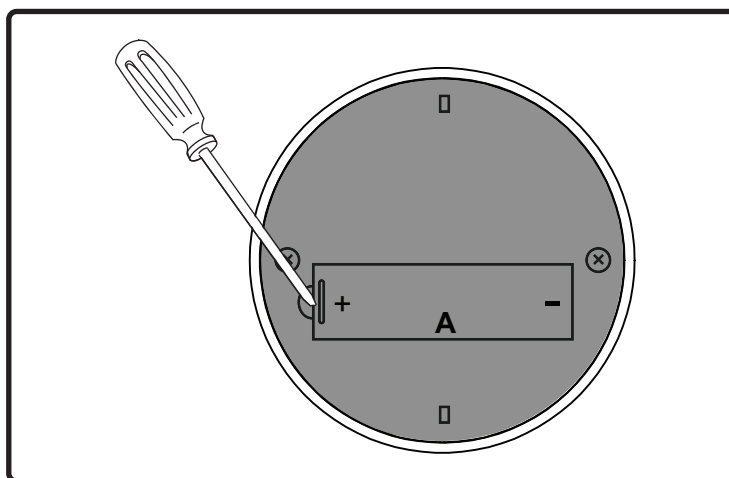


FIG. E

## Hood & Filter Cleaning

### Surface Maintenance

- ▶ Do not use corrosive detergents, abrasive detergents or oven cleaners.
- ▶ Do not use any product containing chlorine bleach or any product containing chloride.
- ▶ Do not use steel wool or abrasive scrubbing pads which will scratch and damage surface.

### Cleaning Stainless Steel

Clean periodically with warm soapy water and clean cotton cloth or micro fiber cloth. Always rub in the direction of the stainless steel grain. To remove heavier grease build up use a liquid degreaser detergent.

After cleaning use a non-abrasive stainless steel polish/cleaners, to polish and buff out the stainless luster and grain. Always scrub lightly, with clean cotton cloth or micro fiber cloth and buff in the direction of the stainless steel grain.

### Cleaning the Grease Filters

The grease filters are intended to trap residue and grease from cooking. Although the filters should never need replacing, they are required to be cleaned every 30 days or more often depending on cooking habits.

Grease filters may be placed in dishwasher at low heat or soaked in hot soapy water. Dry filters and re-install before using hood.

# Maintenance

## Installing the Grease Filters (FIG. F):

1. Pull down on filter latch to release the filter tabs.
2. Pull down on front of filter to remove the grease filters.

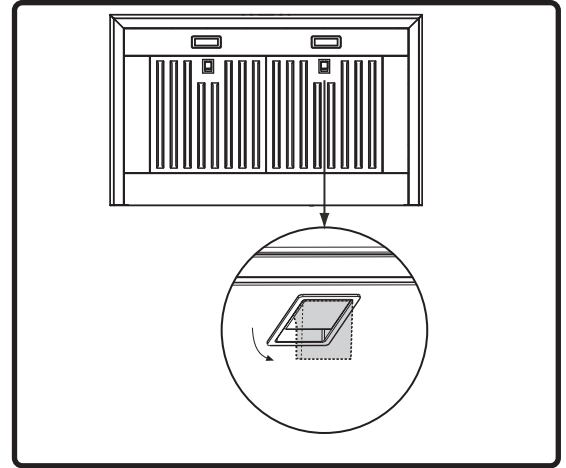


FIG. F

## LumiLight LED

In the unlikely event that your LumiLight LED fails, please contact Zephyr to order replacement parts.

See the list of parts and accessories page for part numbers and contact information.

## LED Removal (FIG. G):

1. Remove grease filters.
2. Remove the side panels (if applicable) and remove the light panel.
3. Disconnect LED light quick connector.
4. Push in the two side clips on the ends of the LED light.
5. Push LED light through the light panel opening.

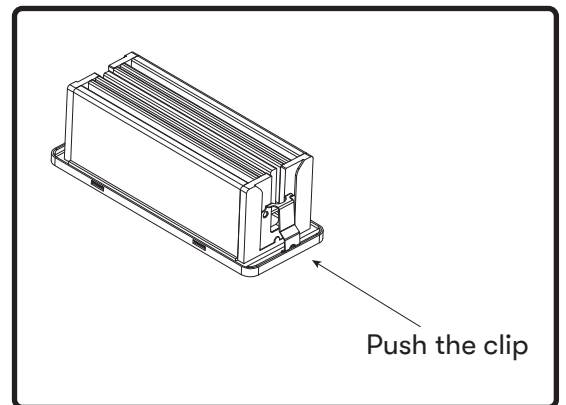


FIG. G



## Airflow Control Technology (ACT™)

Some local codes limit the maximum amount of CFM a range hood can move. ACT™ allows you to control the maximum blower CFM of select Zephyr Ventilation range hoods without the need for expensive make up air kits. ACT™ enables the installer to easily set the maximum blower speed to one of two most commonly specified CFM levels; 390 or 290 CFM. The usage of ACT™ may not be necessary for your installation. Please check your local codes for CFM restrictions.



### CAUTION



Hood must be disconnected from the main power prior to performing the conversion instructions listed below. Failure to do so could result in personal injury or damage to the product.



### CAUTION



After re-positioning the jumper and powering on the hood, the CFM cannot be changed again.

# ACT™ Conversion

## Enabling ACT™

### To enable ACT™:

1. Before hood installation, gain access to PC board by following the steps shown on FIG. H.
2. Change plastic jumper positioning as shown in FIG. I to set the desired maximum blower CFM.
3. Re-install PC board and continue with hood installation.
4. Remove the appropriate foil CFM sticker included with the hood literature and place inside the hood body below the wiring diagram or in another clearly visible location.

### To verify if your installer enabled ACT™:

1. With hood off, hold the ON/OFF button for 3 seconds. If ACT™ is enabled, the LCD will either display "ACT 390" or "ACT 290". If ACT™ is disabled, the LCD will display "ACT OFF".
2. When ACT™ is enabled, the number of blower speeds will be reduced.
3. There should also be a foil label located inside the hood body near the wiring diagram that indicates the blower CFM.

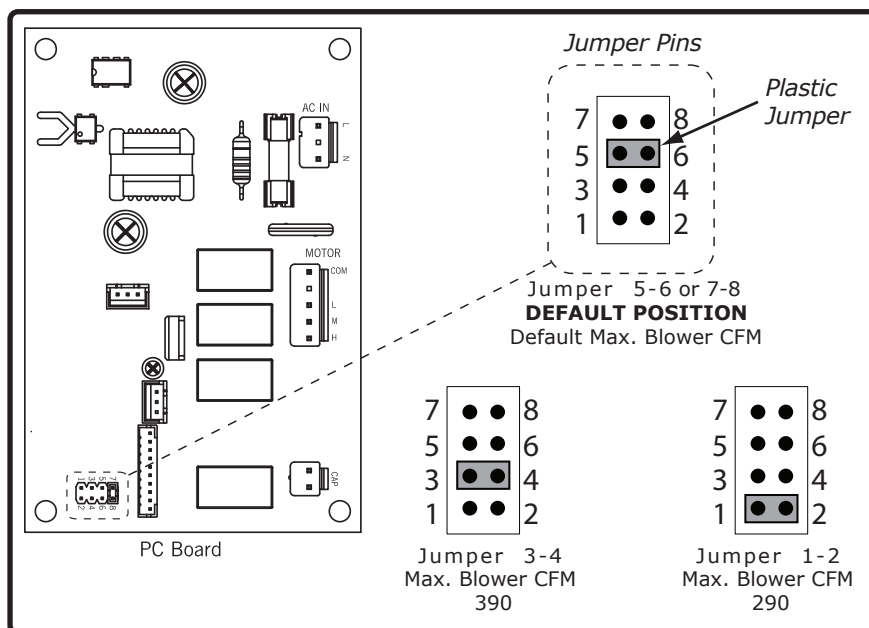


FIG. I

- PC board is located behind PC board bracket.
1. Remove grease filters.
  2. Remove (2) screws from each side panel.
  3. Remove (2) screws from the light panel.
  4. Remove (3) screws from the PC board bracket.
  5. Pull down on panel to access PC board.

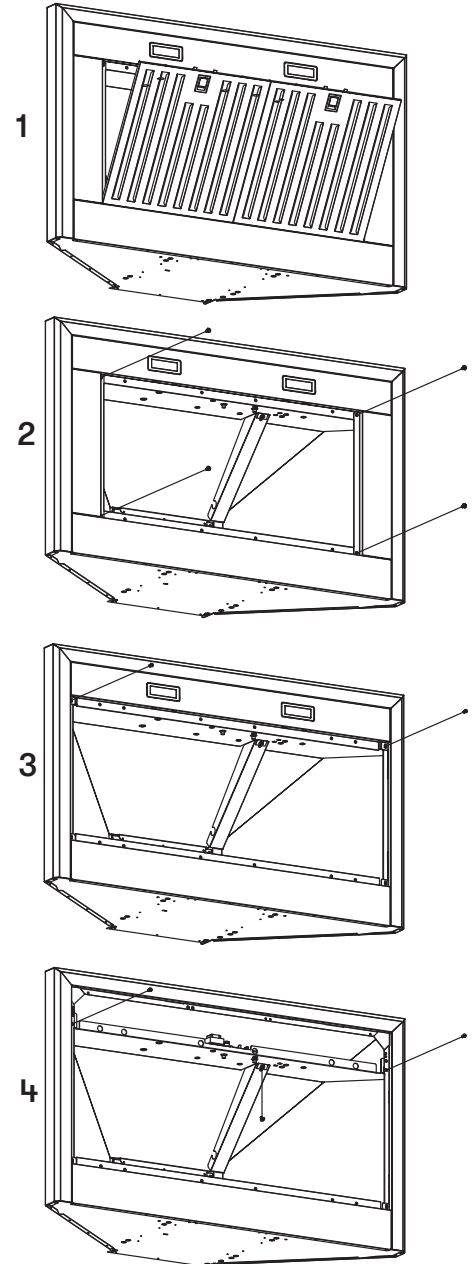
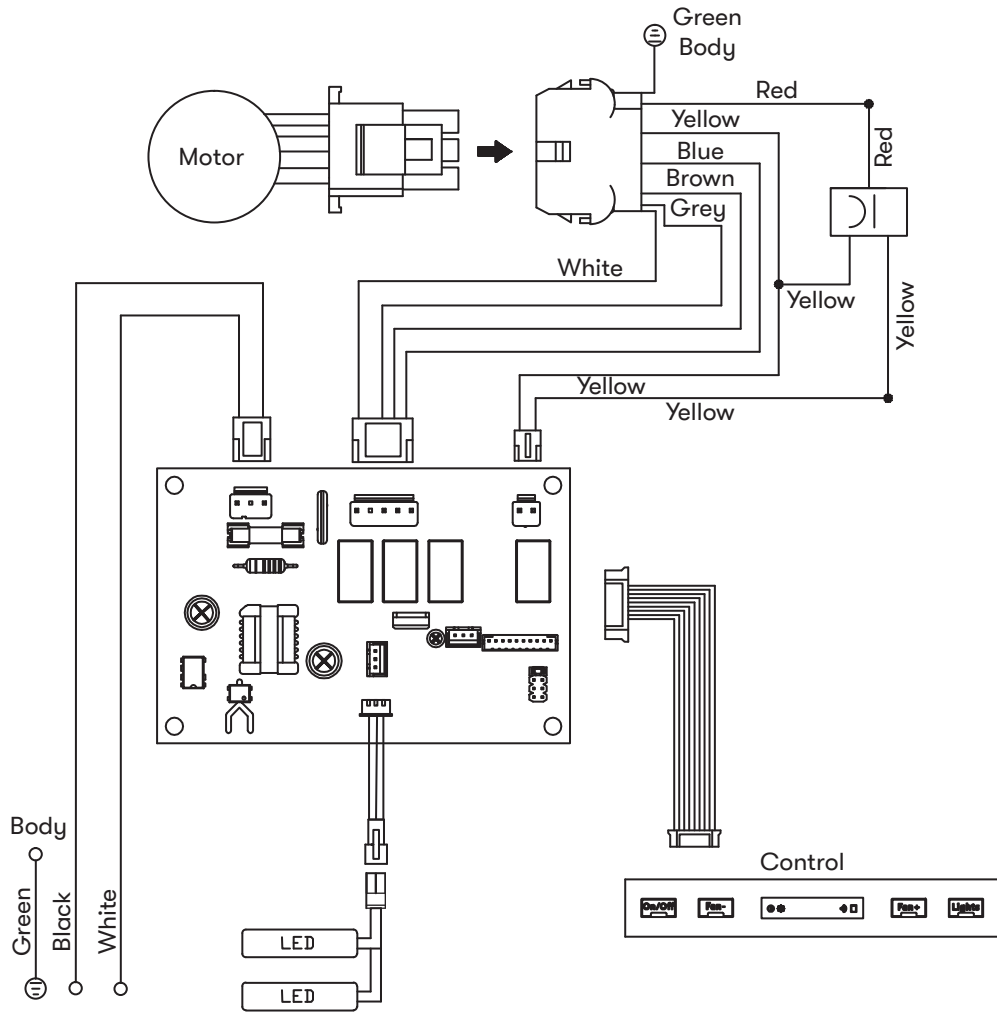


FIG. H

ZSI-E30DS, ZSI-E36DS Wiring Diagram	Volts	Hz	Max Amps
	120	60	5



REMARKS: CONDENSER 11+11uF 250VAC FIT AC120V 60Hz

Power consumption shown for default CFM blower configuration

ACT 390 CFM - Fan Max. 295W @2.6A

ACT 290 CFM - Fan Max. 262W @2.2A

# Troubleshooting

Possible Problem	Possible Cause	Solutions
After installation, the unit doesn't work.	The power source is not turned ON.	Make sure the circuit breaker and the unit's power is ON.
	The power line and the cable locking connector is not connecting properly.	Check the power connection with the unit is connected properly.
	The switch board or control board wirings are disconnected.	Make sure the wirings at the switch board and control board are connected properly.
	The switch board or control board is defective.	Change the switch board or control board.
	The wires on control board are loose.	Make sure the wires on the control board are connected properly.
Light works, but blower is not turning.	The blower wire is not connected.	Make sure the blower wire is plugged into the molex connector.
	The thermally protected system detects if the blower is too hot to operate and shuts the blower down.	The blower will function properly after the thermally protected system cool down.
	Damaged capacitor.	Change the capacitor.
	The blower is defective, possibly seized.	Change the blower.
The unit is vibrating.	The blower is not secured in place.	Tighten the blower in place.
	Damaged blower wheel.	Replace the blower.
	The hood is not secured in place.	Check the installation of the hood.
The unit is whistling.	A filter is not in the correct position.	Adjust the filters until the whistling stops.
	The duct pipe connections are not sealed or connected properly.	Check the duct pipe connections to be sure all connections are sealed properly.
The blower is working, but the LumiLight LEDs are not.	The LumiLight LED connector is disconnected.	Connect the LumiLight LED connector.
	Defective LumiLight LED.	Change the LumiLight LED.
	The switch board or control board is defective.	Change the switch board or control board.

Possible Problem	Possible Cause	Solutions
The hood is not venting out properly.	Using the wrong size of ducting.	Change the ducting to the correct size.
	The hood might be hanging too high from the cook top.	Adjust the distance between the cook top and the bottom of the hood within 24" and 34" range.
	The wind from the opened windows or opened doors in the surrounding area are affecting the ventilation of the hood.	Close all the windows and doors to eliminate the outside wind flow.
	Blockage in the duct opening or ductwork.	Remove all the blocking from the duct work or duct opening.
The unit turns on by itself.	Remote control may be paired incorrectly.	Resynchronize the remote control to connect to a different channel
Filter is vibrating.	Filter is loose.	Adjust or change the filter.
	Spring clip is broken on the filter.	Change the spring clip.
RF Remote control does not work.	Battery is dead.	Replace battery with type A23 12v.
	Poor communication with the hood.	Remote control must be within 15 ft of hood.
	RF Remote lost communication with the hood.	Reset hood and remote by switching power off at the circuit breaker for 5 minutes. Place remote on counter top near the hood and switch the circuit breaker back on.
	Blue antenna wire is not extended.	Extend the blue antenna wire behind the light panel.

# List of Parts & Accessories

Description	Part Number
<b>Replacement Parts</b>	
LumiLight LED, 6W	ZOB0067
Baffle Filter (each)	50210041
Charcoal Filter (each)	ZOF-C091
<b>Optional Accessories</b>	
Make-up Air Kit	MUA008A
Remote Control Kit	RC-0002
Duct Cover Extension	Z1C-00SI
Recirculating Kit	ZRC-00SI

To order parts, visit us online at <http://store.zephyronline.com>.

**TO OBTAIN SERVICE UNDER WARRANTY OR FOR ANY SERVICE RELATED QUESTIONS****United States Customers please call: 1-888-880-8368 or contact us at: [zephyronline.com/contact](http://zephyronline.com/contact)****Canada Customers please call: 1-800-361-0799 or Email: [service@distinctive-online.com](mailto:service@distinctive-online.com)**

Zephyr Ventilation, LLC (referred to herein as “we” or “us”) warrants to the original consumer purchaser (referred to herein as “you” or “your”) of Zephyr products (the “Products”) that such Products will be free from defects in materials or workmanship as follows:

**Three Year Limited Warranty for Parts:** For three years from the date of your original purchase of the Products, we will provide, free of charge, Products or parts (including LED light bulbs, if applicable) to replace those that failed due to manufacturing defects subject to the exclusions and limitations below. We may choose, in our sole discretion, to repair or replace parts before we elect to replace the Products.

**One Year Limited Warranty for Labor:** For one year from the date of your original purchase of the Products, we will provide, free of charge, the labor cost associated with repairing the Products or parts to replace those that failed due to manufacturing defects subject to the exclusions and limitations below. After the first year from the date of your original purchase, you are responsible for all labor costs associated with this warranty.

**Warranty Exclusions:** This warranty covers only repair or replacement, at our option, of defective Products or parts and does not cover any other costs related to the Products including but not limited to: (a) normal maintenance and service required for the Products and consumable parts such as fluorescent, incandescent or halogen light bulbs, mesh and charcoal filters and fuses; (b) any Products or parts which have been subject to freight damage, misuse, negligence, accident, faulty installation or installation contrary to recommended installation instructions, improper maintenance or repair (other than by us); (c) commercial or government use of the Products or use otherwise inconsistent with its intended purpose; (d) natural wear of the finish of the Products or wear caused by improper maintenance, use of corrosive and abrasive cleaning products, pads, and oven cleaner products; (e) chips, dents or cracks caused by abuse or misuse of the Products; (f) service trips to your home to teach you how to use the Products; (g) damage to the Products caused by accident, fire, floods, acts of God; or (h) Custom installations or alterations that impact serviceability of the Products. If you are outside our service area, additional charges may apply for shipping costs for warranty repair at our designated service locations and for the travel cost to have a service technician come to your home to repair, remove or reinstall the Products. After the first year from the date of your original purchase, you are also responsible for all labor costs associated with this warranty. All Products must be installed by a qualified professional installer to be eligible for warranty repairs or service.

**Limitations of Warranty. OUR OBLIGATION TO REPAIR OR REPLACE, AT OUR OPTION, SHALL BE YOUR SOLE AND EXCLUSIVE REMEDY UNDER THIS WARRANTY. WE SHALL NOT BE LIABLE FOR INCIDENTAL, CONSEQUENTIAL OR SPECIAL DAMAGES ARISING OUT OF OR IN CONNECTION WITH THE USE OR PERFORMANCE OF THE PRODUCTS. THE EXPRESS WARRANTIES IN THE PRECEDING SECTION ARE EXCLUSIVE AND IN LIEU OF ALL OTHER EXPRESS WARRANTIES. WE HEREBY DISCLAIM AND EXCLUDE ALL OTHER EXPRESS WARRANTIES FOR THE PRODUCTS, AND DISCLAIM AND EXCLUDE ALL WARRANTIES IMPLIED BY LAW, INCLUDING THOSE OF MERCHANTABILITY AND FITNESS FOR A PARTICULAR PURPOSE.**

Some states or provinces do not allow limitations on the duration of an implied warranty or the exclusion or limitation of incidental or consequential damages, so the above limitations or exclusions may not apply to you. To the extent that applicable law prohibits the exclusion of implied warranties, the duration of any applicable implied warranty is limited to the same three-year and one-year periods described above if permitted by applicable law. Any oral or written description of the Products is for the sole purpose of identifying the Products and shall not be construed as an express warranty. Prior to using, implementing or permitting use of the Products, you shall determine the suitability of the Products for the intended use, and you shall assume all risk and liability whatsoever in connection with such determination. We reserve the right to use functionally equivalent refurbished or reconditioned parts or Products as warranty replacements or as part of warranty service. This warranty is not transferable from the original purchaser and only applies to the consumer residence where the Product was originally installed located in the United States and Canada. This warranty is not extended to resellers.

**To Obtain Service Under Limited Warranty:** To qualify for warranty service, you must: (a) notify us at the address or telephone number stated below within 60 days of the discovery of the defect; (b) give the model number and serial number; and (c) describe the nature of any defect in the Product or part. At the time of the request for warranty service, you must present evidence of your proof of purchase and proof of the original purchase date. If we determine that the warranty exclusions listed above apply or if you fail to provide the necessary documentation to obtain service, you will be responsible for all shipping, travel, labor and other costs related to the services. This warranty is not extended or restarted upon warranty repair or replacements.

Please check our website for any additional Product information, [www.zephyronline.com](http://www.zephyronline.com)

**Zephyr, 2277 Harbor Bay Parkway, Alameda, CA 94502**

# Product Registration

Congratulations on the purchase of your Zephyr product! Please take a moment to register your new Zephyr product at [www.zephyronline.com/registration](http://www.zephyronline.com/registration)

## IT'S IMPORTANT

Prompt registration helps in more ways than one.

- Ensures warranty coverage should you need service.
- Ownership verification for insurance purposes.
- Notification of product changes or recalls.



Zephyr Ventilation | 2277 Harbor Bay Pkwy. | Alameda, CA 94502 | 1.888.880.8368



# ZEPHYR

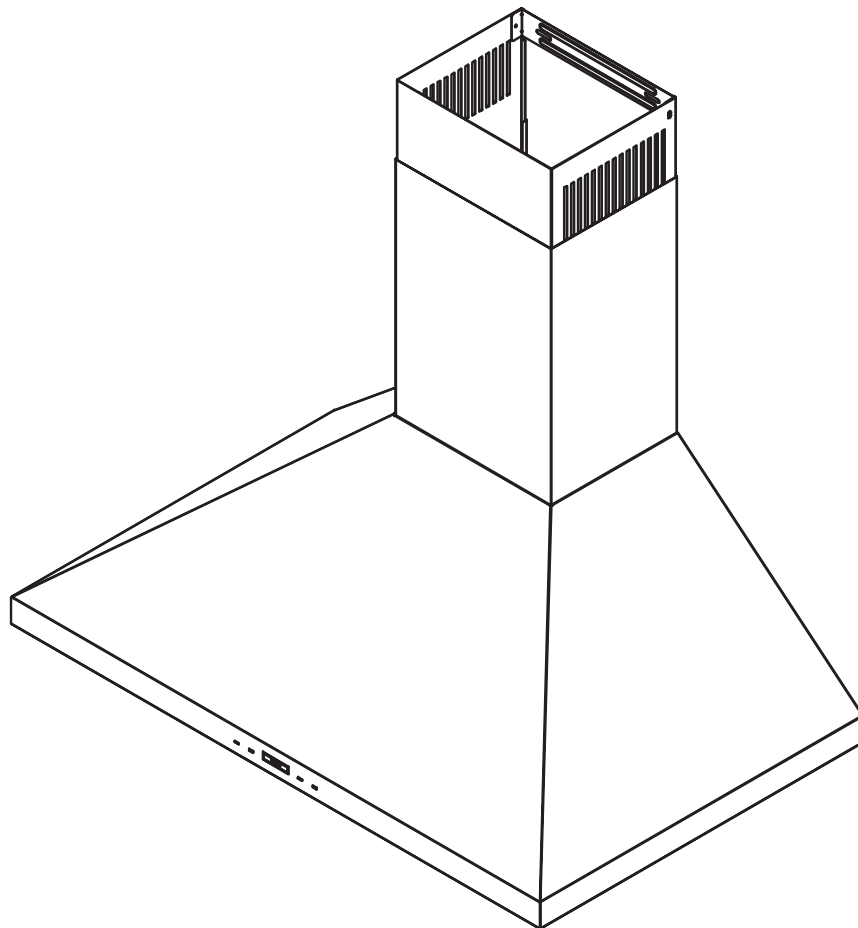
WWW.ZEPHYRONLINE.COM

## Siena

ZSI-E30DS, ZSI-E36DS

EN Use, Care, and Installation Guide

FR Guide d'utilisation, d'entretien et d'installation



ACT<sup>™</sup>  
Airflow Control Technology

Enregistrez votre produit aujourd'hui  
[zephyronline.com/registration](http://zephyronline.com/registration)



UL<sup>®</sup> US LISTED



---

	Page
<b>Consignes de sécurité</b> .....	<b>4-6</b>
Types d'avertissements de sécurité .....	4
Sécurité générale.....	4-5
Opération .....	6
Exigences électriques .....	6
Déclaration d'interface de la Federal Communication Commission ...	6
<b>Liste de matériel</b> .....	<b>7</b>
<b>Instructions d'installation</b> .....	<b>8-18</b>
Feuille de calcul pour le conduit d'aération.....	8
Hauteur de montage, dégagement et gaine .....	9-10
Options de conduits .....	11
Spécifications de la hotte .....	12
Fourniture électrique .....	13
Montage de la hotte .....	14-15
Conversion de conduit horizontal .....	15-17
Recirculation sans conduit.....	17
Installation du kit de recirculation.....	18
<b>Fonctionnalités et commandes</b> .....	<b>19-22</b>
Commandes LCD tactiles ICON .....	19-20
Télécommande RF en option.....	21-22
<b>Entretien</b> .....	<b>23-24</b>
Nettoyage de la hotte et du filtre.....	23-24
LumiLight LED .....	24
<b>Conversion ACT™</b> .....	<b>25-26</b>
Technologie de contrôle du débit d'air (ACT™) .....	25
Activer ACT™ .....	26
<b>Schéma de câblage</b> .....	<b>27</b>
<b>Dépannage</b> .....	<b>28-29</b>
<b>Liste des pièces et accessoires</b> .....	<b>30</b>
<b>Garantie limitée</b> .....	<b>31</b>
<b>Enregistrement du produit</b> .....	<b>32</b>

# Consignes de sécurité

## LISEZ ET CONSERVEZ CES INSTRUCTIONS

**Votre sécurité et celle des gens qui vous entourent sont très importantes.**

Ce manuel contient de nombreux messages de sécurité relatifs à votre appareil. Lisez tous les messages et conformez-vous-y en tout temps.



Voici le symbole d'alerte à la sécurité. Ce symbole vous informe de possibles dangers qui pourraient entraîner de graves lésions corporelles ou la mort. Tous les messages de sécurité suivent le symbole d'alerte à la sécurité et comportent les mots « **DANGER** », « **AVERTISSEMENT** » ou « **ATTENTION** ».

**DANGER**

Le mot « danger » signifie que le fait de ne pas tenir compte de l'énoncé de sécurité peut entraîner une blessure grave ou la mort.

**AVERTISSEMENT**

Le mot « avertissement » signifie que le fait de ne pas tenir compte de l'énoncé de sécurité peut entraîner des dommages importants au produit, une lésion corporelle grave ou la mort.

**ATTENTION**

Le mot « attention » signifie que le fait de ne pas tenir compte de l'énoncé de sécurité peut entraîner une lésion corporelle mineure ou modérée, ou encore des dommages au produit ou à la propriété.

### Sécurité générale

**ATTENTION**

Pour réduire le risque d'incendie ou de choc électrique, n'utilisez pas ce ventilateur avec un dispositif de commande à semi-conducteurs.

**AVERTISSEMENT**

AVERTISSEMENT - POUR RÉDUIRE LES RISQUES D'INCENDIE, DE CHOC ÉLECTRIQUE OU DE BLESSURES AUX PERSONNES, RESPECTEZ LES SUIVANTS:

- N'utilisez cet appareil que de la manière prévue par le fabricant. Si vous avez des questions, contactez le fabricant.
- Avant l'entretien ou le nettoyage de l'unité, coupez l'alimentation au panneau de service et verrouillez les moyens de déconnexion de service pour éviter toute mise sous tension accidentelle. Lorsque le moyen de déconnexion de service ne peut pas être verrouillé, fixez solidement un dispositif d'avertissement bien visible, tel qu'une étiquette, au panneau de service.

**ATTENTION**

Pour Une Ventilation Générale Uniquement. Ne Pas Utiliser Pour Évacuer Des Matières Et Des Vapeurs Dangereuses Ou Explosives. Soyez prudent lorsque vous utilisez des produits de nettoyage pour détergents. Convient pour une utilisation dans la zone de cuisson domestique.

**AVERTISSEMENT**

AVERTISSEMENT - POUR RÉDUIRE LE RISQUE D'INCENDIE DE GRAISSE SUR LE HAUT DE CUISINIÈRE:

- Ne laissez jamais les unités de surface sans surveillance à des réglages élevés. Les débordements provoquent de la fumée et des débordements graisseux qui peuvent s'enflammer. Chauffer les huiles lentement à des réglages faibles ou moyens.
- Allumez toujours la hotte lorsque vous cuisinez à feu vif ou lorsque vous flambez des aliments. (c'est-à-dire Crêpes Suzette, Cerises Jubilee, Boeuf au Poivre Flambé »).
- Nettoyez fréquemment les ventilateurs de ventilation. La graisse ne doit pas s'accumuler sur le ventilateur ou le filtre.
- Utilisez une taille de casserole appropriée. Utilisez toujours des ustensiles de cuisine adaptés à la taille de l'élément de surface.

## LISEZ ET CONSERVEZ CES INSTRUCTIONS



AVERTISSEMENT - POUR RÉDUIRE LE RISQUE DE BLESSURE DES PERSONNES EN CAS D'INCENDIE DE GRAISSE SUR LE HAUT DE LA CUISINIÈRE, RESPECTEZ CE QUI SUIT:

a) DES FLAMMES PLUS INTELLIGENTES avec un couvercle bien ajusté, une plaque à biscuits ou un plateau en métal, puis éteignez le brûleur. FAITES ATTENTION À ÉVITER LES BRÛLURES. Si les flammes ne s'éteignent pas immédiatement, ÉVACUER ET APPELER LE DÉPARTEMENT DES INCENDIES.

b) NE JAMAIS RAMASSER UNE PLAQUE ENFLAMME - Vous pourriez être brûlé.

c) N'UTILISEZ PAS D'EAU, ni de torchons ou de serviettes humides - une violente explosion de vapeur en résultera.

d) Utilisez un extincteur UNIQUEMENT si:

- 1) Vous savez que vous possédez un extincteur de classe ABC et vous savez déjà comment l'utiliser.
- 2) Le feu est petit et contenu dans la zone où il a commencé.
- 3) Le service d'incendie est appelé.
- 4) Vous pouvez combattre le feu dos à une sortie

\*Basé sur "Kitchen Firesafety Tips" publié par la NFPA.



AVERTISSEMENT  
POUR RÉDUIRE LES RISQUES D'INCENDIE, UTILISEZ  
UNIQUEMENT DES CONDUITS MÉTALLIQUES.



Pour réduire les risques d'incendie et pour évacuer correctement l'air extérieur, ne pas évacuer l'air évacué dans les espaces à l'intérieur des murs, plafonds, greniers, vides sanitaires ou garages.



**Prop. 65 Avertissement pour les résidents de Californie:** Ce produit peut contenir des produits chimiques reconnus par l'État de Californie comme pouvant provoquer le cancer, des malformations congénitales ou d'autres troubles de la reproduction.



AVERTISSEMENT - POUR RÉDUIRE LES RISQUES D'INCENDIE, DE DÉCHARGE ÉLECTRIQUE OU DE BLESSURES AUX PERSONNES, RESPECTEZ CE QUI SUIT:

a) Les travaux d'installation et le câblage électrique doivent être effectués par des personnes qualifiées conformément à tous les codes et normes applicables, y compris la construction résistant au feu.

b) Une quantité d'air suffisante est nécessaire pour une combustion et une évacuation correctes des gaz par le conduit de fumée (cheminée) de l'équipement à combustible pour empêcher le refoulement. Suivez les directives et les normes de sécurité du fabricant de l'équipement de chauffage, telles que celles publiées par la National Fire Protection Association (NFPA), l'American Society for Heating, Refrigeration and Air Conditioning Engineers (ASHRAE) et les autorités locales du code.

c) Lorsque vous coupez ou percez dans un mur ou un plafond, n'endommagez pas le câblage électrique et les autres services publics cachés.

d) Les ventilateurs à conduit doivent toujours être ventilés vers l'extérieur.

e) Si cet appareil doit être installé au-dessus d'une baignoire ou d'une douche, il doit être marqué comme approprié pour l'application et être connecté à un circuit de dérivation protégé par un disjoncteur de fuite à la terre (GFCI).

### Opération

- Laissez toujours les grilles de sécurité et les filtres en place. Sans ces composants, les soufflantes en fonctionnement pourraient s'accrocher aux cheveux, aux doigts et aux vêtements amples.
- Le fabricant décline toute responsabilité en cas de non-respect des instructions données ici pour l'installation, la maintenance et l'utilisation appropriée du produit. Le fabricant décline en outre toute responsabilité en cas de blessure due à une négligence et la garantie de l'unité expire automatiquement en raison d'un mauvais entretien.

**REMARQUE:** veuillez consulter [www.zephyronline.com](http://www.zephyronline.com) pour les révisions avant d'effectuer tout travail personnalisé.

# Consignes de sécurité

## LISEZ ET CONSERVEZ CES INSTRUCTIONS

### Exigences électriques

#### Important:

- ▶ Respectez tous les codes et ordonnances en vigueur.
- ▶ Il est de la responsabilité du client d'en prendre connaissance ci-dessous:
- ▶ Pour contacter un installateur électrique qualifié.
- ▶ Pour garantir que l'installation électrique est adéquate et conforme au National Electrical Code, ANSI / NFPA 70 dernière édition \* ou aux normes CSA C22.1-94, Code canadien de l'électricité, partie 1 et C22.2 No.0-M91 - dernière édition \*\* et tous les codes et ordonnances locaux.
- ▶ Si les codes le permettent et qu'un fil de terre séparé est utilisé, il est recommandé qu'un électricien qualifié détermine que le chemin de terre est adéquat.
- ▶ Ne pas mettre à la terre un tuyau de gaz.
- ▶ Vérifiez auprès d'un électricien qualifié si vous n'êtes pas sûr que la hotte est correctement mise à la terre.
- ▶ Ne pas avoir de fusible dans le circuit neutre ou de terre.
- ▶ Cet appareil nécessite une alimentation électrique de 120 V à 60 Hz et est connecté à un circuit de dérivation individuel correctement mis à la terre protégé par un disjoncteur de 15 ou 20 ampères ou un fusible temporisé. Le câblage doit être à 2 fils avec mise à la terre. Veuillez également vous référer au schéma électrique du produit.
- ▶ Instructions pour relier l'appareil à la terre :  
La fiche de fixation de type mise à la terre fournie avec cet appareil doit être connectée à une prise de type mise à la terre installée conformément à la norme CSA C22.1, Code canadien de l'électricité, partie I. En cas de court-circuit électrique, la mise à la terre réduit le risque de choc électrique.  
AVERTISSEMENT : Une mauvaise mise à la terre peut entraîner un risque de choc électrique.  
Consultez un électricien qualifié si les instructions de mise à la terre ne sont pas entièrement comprises ou en cas de doute quant à la bonne mise à la terre de l'appareil. N'utilisez pas de rallonge. Si le cordon d'alimentation électrique est trop court, demandez à un électricien qualifié d'installer une prise à proximité de l'appareil.
- ▶ Un connecteur de verrouillage de câble (non fourni) peut également être requis par les codes locaux. Vérifiez les exigences locales, achetez et installez le connecteur approprié si nécessaire.

\* National Fire Protection Association Batterymarch Park, Quincy, Massachusetts 02269

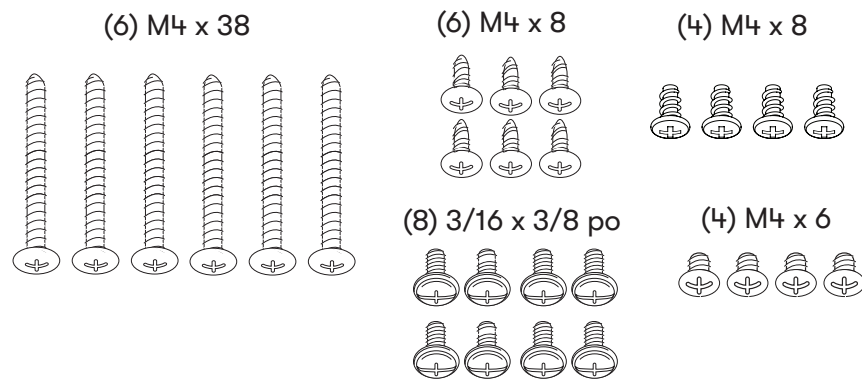
\*\* CSA International 8501 East Pleasant Valley Road, Cleveland, Ohio 44131-5575

### Déclaration d'interface de la Federal Communication Commission

- ▶ Cet équipement a été testé et déclaré conforme aux limites d'un appareil numérique de classe B, conformément à la partie 15 des règles FCC. Ces limites sont conçues pour fournir une protection raisonnable contre les interférences nuisibles dans une installation résidentielle.
- ▶ Cet équipement génère, utilise et peut émettre de l'énergie radiofréquence et, s'il n'est pas installé et utilisé conformément aux instructions, peut provoquer des interférences nuisibles aux communications radio. Cependant, il n'y a aucune garantie que des interférences ne se produiront pas dans une installation particulière. Si cet équipement cause des interférences nuisibles à la réception de la radio ou de la télévision, ce qui peut être déterminé en éteignant et en rallumant l'équipement, l'utilisateur est encouragé à essayer de corriger les interférences par l'une des mesures suivantes:
- ▶ Réorientez ou déplacez l'antenne de réception.
- ▶ Augmentez la séparation entre l'équipement et le récepteur.
- ▶ Connectez l'équipement à une prise sur un circuit différent de celui sur lequel le récepteur est connecté.
- ▶ Consultez le revendeur ou un technicien radio / TV expérimenté pour obtenir de l'aide.

## Pièces fournies

Quantité	Partie
1	Hotte avec ventilateur interne
2	Cache-conduits, 1 supérieur et 1 inférieur
1	Support de couvercle de conduit
2	Filtres à chicane
2	LumiLight LED, 6W (préinstallé)
1	Clapet anti-retour rond de 8"
1	Collier rectangulaire 3-1/4" x 10" (conduit arrière seulement)
1	Supports de montage de moteur de conduit arrière
1	Plaque de couverture supérieure (conduits arrière uniquement)
1	Pack matériel

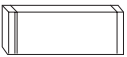

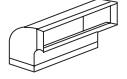
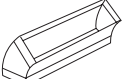
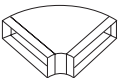
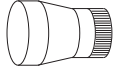
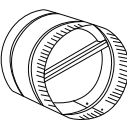

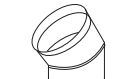


## Pièces non fournies

Conduits, conduits et tous les outils d'installation
Raccord de câble (si requis par les codes locaux)
Couvertures de conduit d'extension (Z1C-00SI)
Télécommande en option (RC-0002)
Kit de recirculation en option (ZRC-00SI)

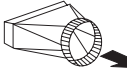
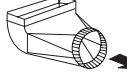
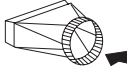
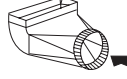
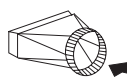
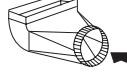
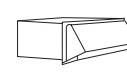
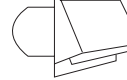

# Instructions d'installation

## Feuille de calcul pour le conduit d'aération

Pièces de conduit		Longueur x	Nombre utilisé	=	Total
	3-1/4" x 10" rect., droit	1 pi	x ( ) =		pi
	6", 7", 8", 10" circ., droit	1 pi	x ( ) =		pi
	3-1/4" x 10" rect., coude à 90°	15 pi	x ( ) =		pi
	3-1/4" x 10" rect., coude à 45°	9 pi	x ( ) =		pi
	3-1/4" x 10" rect., coude plat à 90°	24 pi	x ( ) =		pi
	7" to 6" or 8" to 7" circ. reducteur conique	25 pi	x ( ) =		pi
	6", 7", 8" circ. bouchone de l'air	15 pi	x ( ) =		pi
	6", 7", 8", 10" circ., coude à 90°	15 pi	x ( ) =		pi
	6", 7", 8", 10" coude à 45°	9 pi	x ( ) =		pi
Sous-total - colonne 1 =					pi

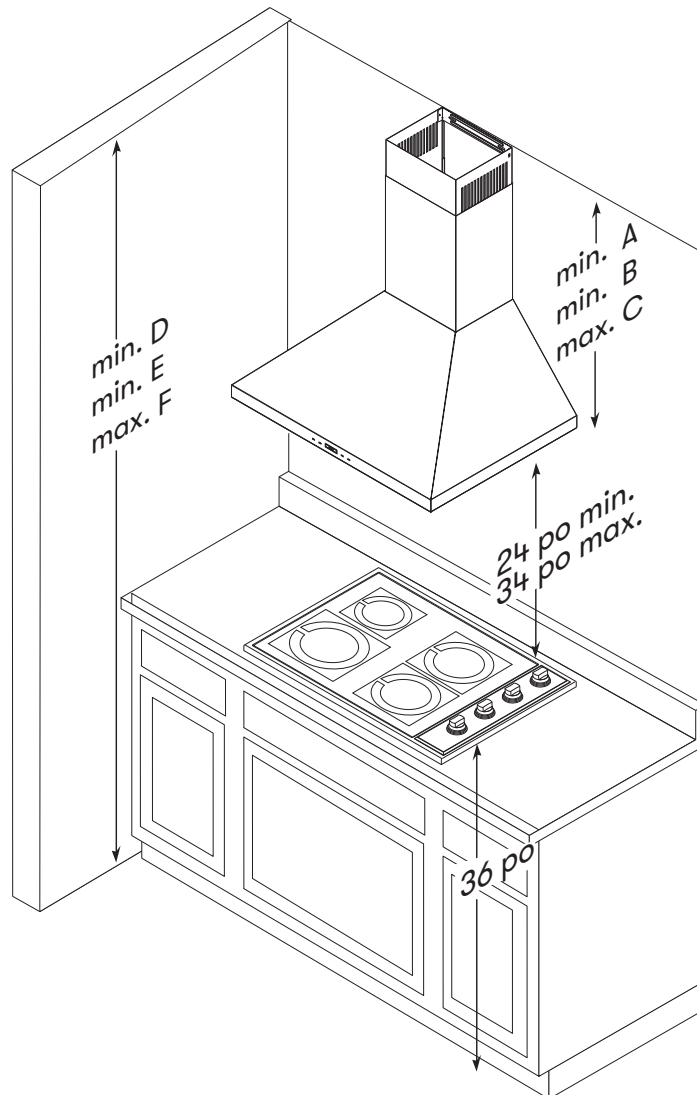
### Longueur maximale du conduit d'aération :

Pour un mouvement d'air convenable, la longueur totale d'un conduit d'aération ne devrait pas compter plus que l'équivalent de 150 pieds.

Pièces de conduit		Longueur x	Nombre utilisé	=	Total
	6" circ. à rect. de 3-1/4" x 10"	5 pi	x ( ) =		pi
	6" circ. à rect. de 3-1/4" x 10", coude à 90°	20 pi	x ( ) =		pi
	6" circ. à rect. de 3-1/4" x 10"	1 pi	x ( ) =		pi
	6" circ. à rect. de 3-1/4" x 10", coude à 90°	16 pi	x ( ) =		pi
	7" circ. à rect. de 3-1/4" x 10"	8 pi	x ( ) =		pi
	7" circ. à rect. de 3-1/4" x 10", coude à 90°	23 pi	x ( ) =		pi
	3-1/4" x 10" embout mural rect./registre	30 pi	x ( ) =		pi
	6", 7", 8", 10" embout mural circ./registre	30 pi	x ( ) =		pi
	6", 7", 8", 10" chapeau de toiture circ.	30 pi	x ( ) =		pi
Sous-total - colonne 2 =					pi
Sous-total - colonne 1 =					pi
Total du conduit =					pi



## Hauteur de montage, dégagement et gaine



Hauteurs de hotte	Couverture de conduit standard	Couverture de conduit d'extension
minimum canalisé (A)	28-1/2 po	47-1/2 po
recirculation minimale (B)	32 po	51 po
maximum (C)	42 po	78-1/2 po
<b>Hauteurs de plafond</b>		
minimum canalisé (D)	88-1/2 po (7 pi 4-1/2 po)	107-1/2 po (8 pi 11-1/2 po)
recirculation minimale (B)	92 po (7 pi 8 po)	111 po (9 pi 3 po)
maximum (F)	112 po (9 pi 4 po)	148-1/2 po (12 pi 4-1/2 po)

# Instructions d'installation

## Hauteur de montage, dégagement et gaine

Un minimum de conduit rond de 8 po et de conduit rectangulaire de 3-1/4 po x 10 po (conduit arrière horizontal uniquement) est recommandé pour maintenir une efficacité maximale du débit d'air.

Utilisez toujours uniquement des conduits métalliques de type rigide. Les conduits flexibles peuvent restreindre le débit d'air jusqu'à 50%.

Utilisez également la feuille de calcul des gaines (à la page 8) pour calculer la longueur totale des gaines disponibles lorsque vous utilisez des coudes, des transitions et des capuchons.

**TOUJOURS**, lorsque cela est possible, réduire le nombre de transitions et de virages. Si un long trajet de conduit est requis, augmentez la taille du conduit.

Si des virages ou des transitions sont nécessaires; installer aussi loin que possible de la sortie du conduit de la hotte et aussi loin que possible entre les deux.

La hauteur minimale de montage entre le haut de la cuisinière et le bas de la hotte ne doit pas être inférieure à 24 po.

La hauteur de montage maximale ne doit pas dépasser 34 po.



Il est important d'installer la hotte à la bonne hauteur de montage. Les hottes montées trop bas peuvent entraîner des dommages causés par la chaleur et un risque d'incendie; tandis que les hottes montées trop haut seront difficiles à atteindre et perdront leurs performances et leur efficacité.

Si disponible, reportez-vous également aux exigences de dégagement en hauteur du fabricant de la cuisinière et à la hauteur de montage recommandée de la hotte au-dessus de la cuisinière. Vérifiez toujours vos codes locaux pour toute différence.

### Pour les dommages liés à l'expédition et à l'installation:

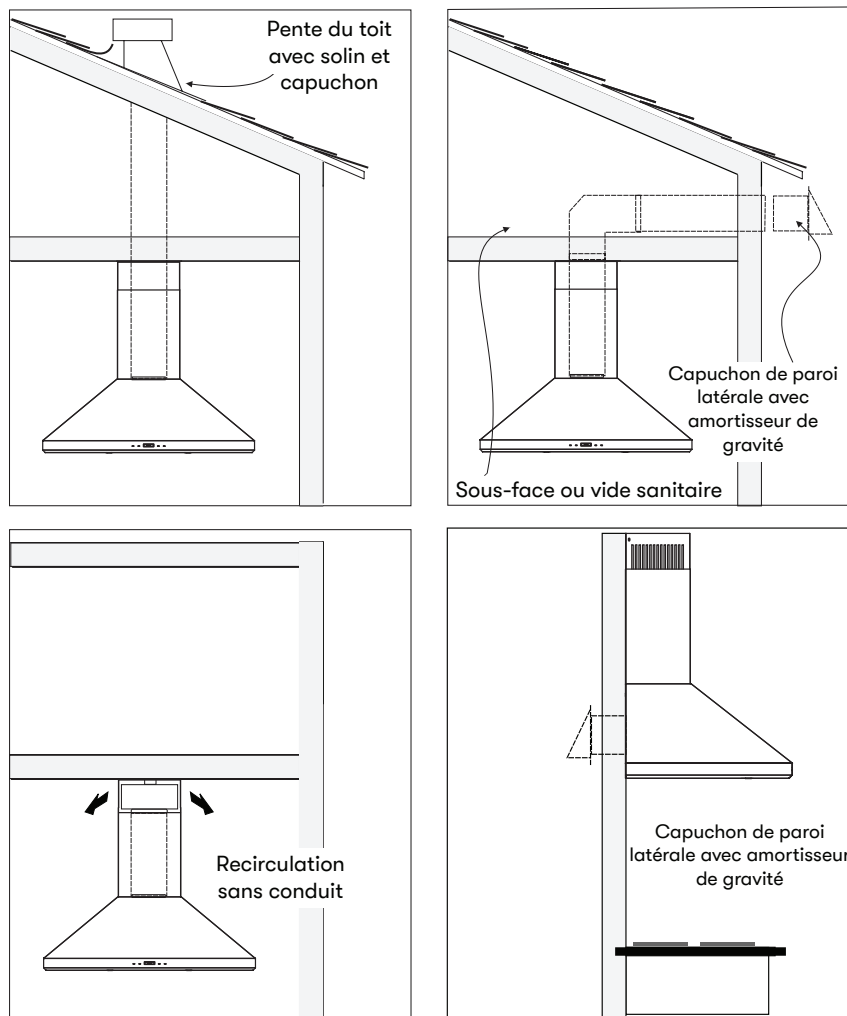
- ▶ Veuillez inspecter complètement l'unité pour déceler tout dommage avant l'installation.
- ▶ Si l'appareil est endommagé lors de l'expédition, renvoyez-le au magasin où il a été acheté pour réparation ou remplacement.
- ▶ Si l'appareil est endommagé par le client, la réparation ou le remplacement est à la charge du client.
- ▶ Si l'unité est endommagée par l'installateur (si autre que le client), la réparation ou le remplacement doit être effectuée par arrangement entre le client et l'installateur.

## Options de conduits

**ATTENTION**

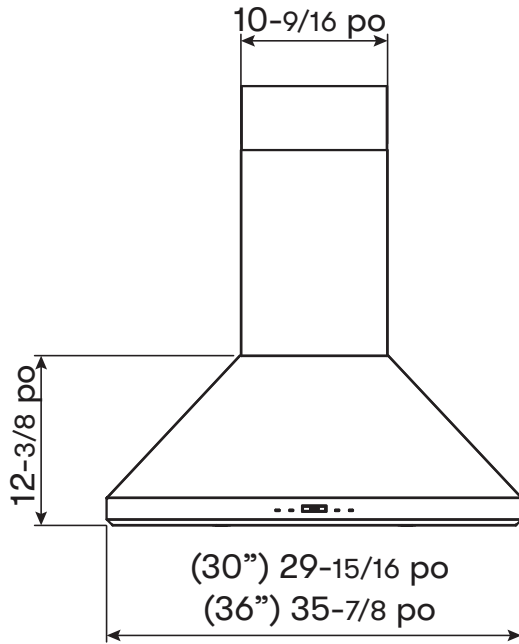
**Risque d'incendie:** NE JAMAIS évacuer l'air ni terminer de conduits dans des espaces entre les murs, les vides sanitaires, les plafonds, les greniers ou les garages. Tout l'échappement doit être canalisé vers l'extérieur, à moins d'utiliser l'option de recirculation.

- ▶ Utilisez uniquement des conduits métalliques rigides à paroi simple.
- ▶ Fixez toutes les connexions avec des vis à tôle et collez tous les joints avec du ruban argenté ou du ruban adhésif.

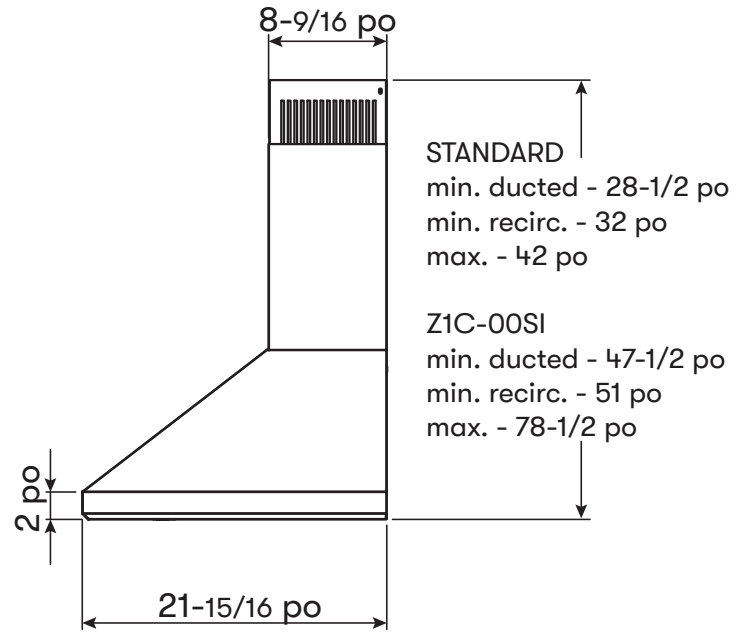


# Instructions d'installation

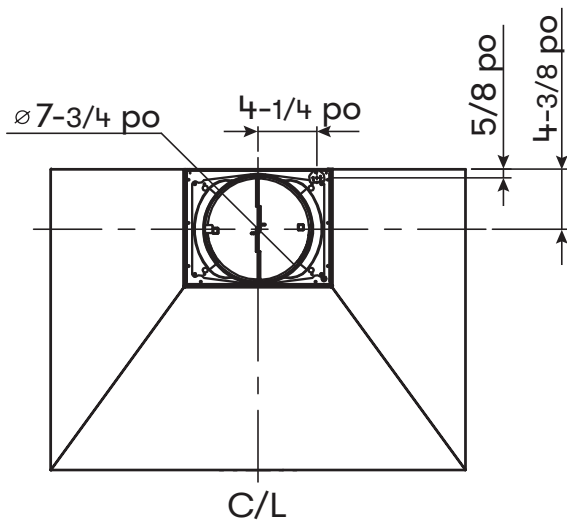
## Spécifications de la hotte



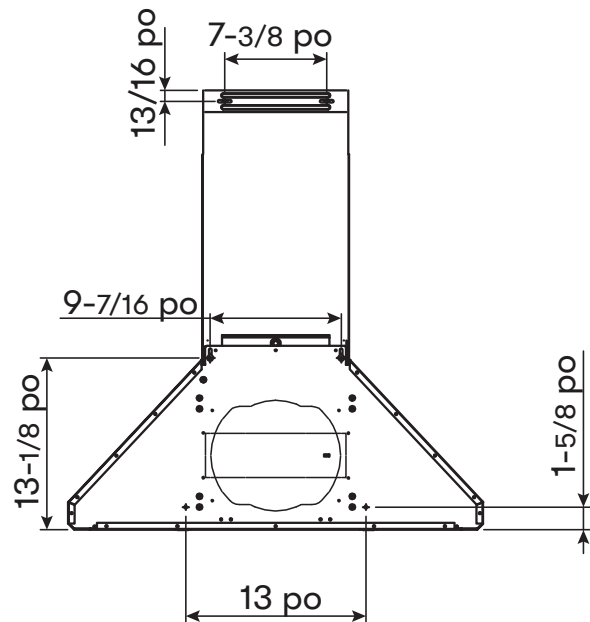
**DEVANT**



**CÔTÉ**



**HAUT**



**ARRIÈRE**

## Fourniture électrique

**ATTENTION**

Le câblage électrique doit être effectué par des personnes qualifiées conformément à tous les codes et normes applicables.  
Cette hotte doit être correctement mise à la terre. Coupez l'alimentation électrique à l'entrée de service avant le câblage.

Pour votre sécurité personnelle, retirez le fusible de la maison ou ouvrez le disjoncteur avant de commencer l'installation. N'utilisez pas de rallonge ni de fiche d'adaptateur avec cet appareil.

**Suivez les codes électriques nationaux ou les codes et règlements locaux en vigueur.**

Cet appareil nécessite une alimentation électrique de 120 V 60 Hz et est connecté à un circuit de dérivation individuel correctement mis à la terre, protégé par un disjoncteur de 15 ou 20 ampères ou un fusible temporisé. Le câblage doit être à 2 fils avec terre. Veuillez également vous référer au schéma électrique étiqueté sur le produit.

# Instructions d'installation

## Montage de la hotte

- Mesurez du haut de la cuisinière au bas de la hotte et marquez la ligne A. (minimum de 24 po à partir du haut de la cuisinière).
- Ligne médiane pruned et marquez.  
Marquez la ligne de hauteur de montage B. (1-5/8 po de la ligne A)  
Marquez la ligne de hauteur de montage C. (13-1/8 po de la ligne A)  
Marquez l'écart de montage de C/L sur la ligne B 13 po  
Marquez l'écart de montage de C/L sur la ligne C 9-7/16 po
- Serrez (2) vis M4 x 38 dans les montants sur la ligne C. Ne serrez pas les vis à fond, laissez environ 3/8 po exposés.  
**REMARQUE :** Il peut être nécessaire d'ajouter des blocs de bois derrière la cloison sèche s'il n'y a pas de montants. Des ancrages muraux peuvent également être utilisés, mais vérifiez la conformité aux codes locaux. Le fait de ne pas utiliser des ancrages muraux et des vis appropriés pour supporter le poids de la hotte pourrait entraîner des blessures ou endommager la surface de cuisson ou le comptoir.
- Installez le collier de conduit rond de 8 po avec clapet anti-retour sur le dessus du corps de la hotte à l'aide de (4) vis plates M4 x 8.
- Si le conduit de la hotte passe par l'arrière du corps de la hotte, coupez le trou d'accès dans le mur et préparez le conduit.
- Accrochez la hotte aux vis et serrez à la main. (FIG. A) Utilisez les dernières vis M4 x 38 pour fixer davantage la hotte au mur depuis l'intérieur de la hotte sur la ligne B.
- Centrez et fixez le support du cache-conduit au mur sous le plafond ou le soffite à l'aide de (2) vis M4 x 38.

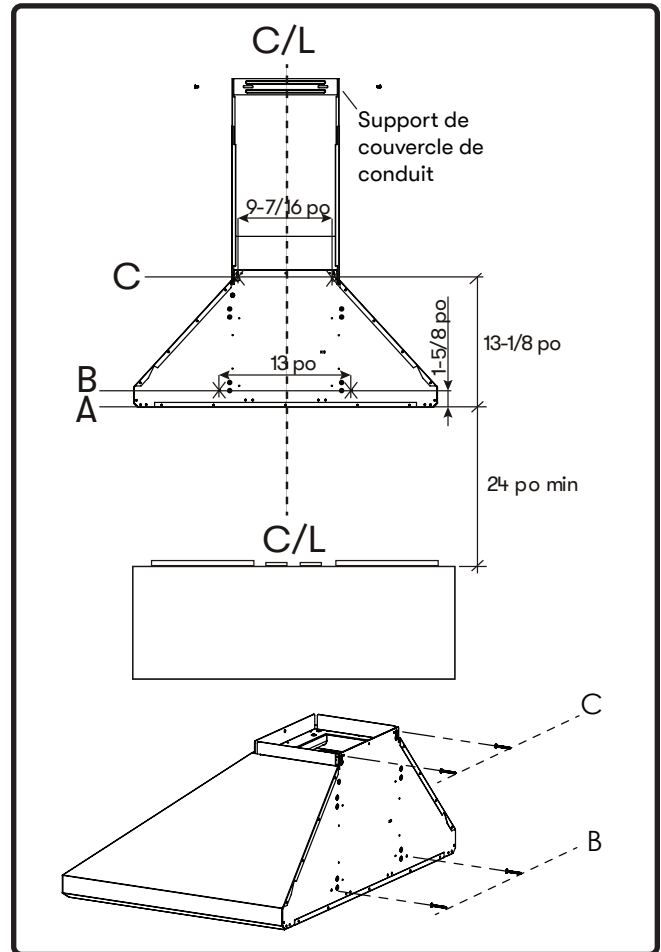


FIG. A

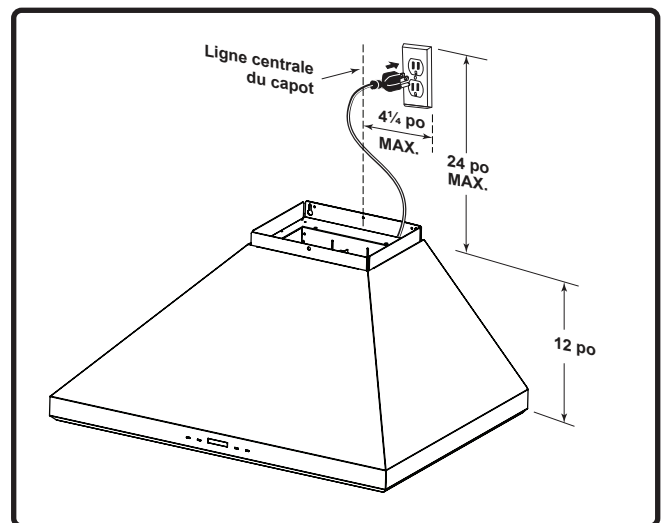


FIG. B

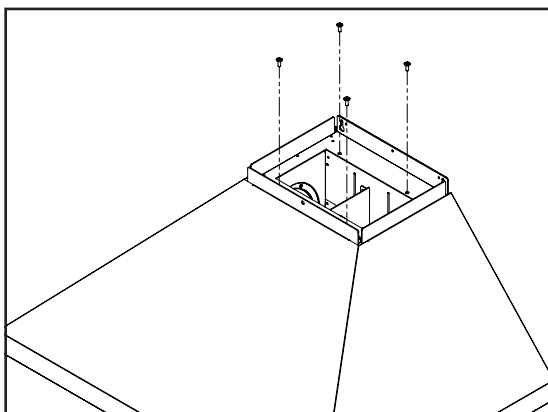
## Montage de la hotte

- Placez la prise électrique dans l'espace couvert par les couvercles de conduits télescopiques et là où elle n'interférera pas avec le conduit rond. (FIG. B).
- \*Installer les conduits et le ruban adhésif. Du ruban adhésif en aluminium doit être utilisé pour sceller l'endroit où le collier rencontre le corps de la hotte.
- Allumez la hotte et vérifiez s'il y a des fuites autour du ruban adhésif.
- Placez les couvercles de conduit télescopiques sur la hotte et étendez le couvercle de conduit intérieur (supérieur) vers le haut et fixez-le au support de couvercle de conduit à l'aide de (2) vis M4x8.

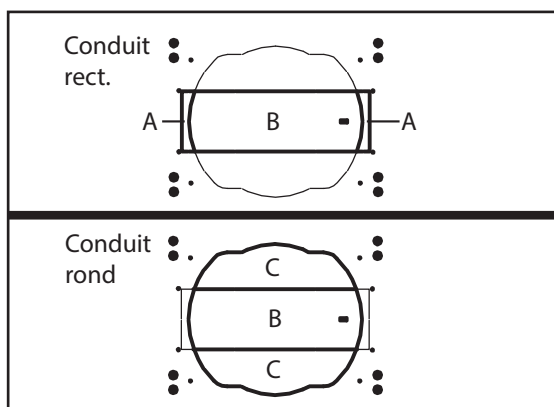
\*Si vous utilisez une hotte en mode recirculation, vous devez fixer la plaque de dérivation d'air sur le mur avant d'installer les conduits et les couvercles de conduits. Consultez la section sur la recirculation sans conduit pour plus de détails.

## Conversion de conduits horizontaux

Cette hotte est équipée par défaut d'une option de conduit vertical rond de 8 po. Pour convertir un conduit vertical rond de 8 po en conduit horizontal rond de 8 po ou un conduit horizontal rectangulaire de 3-1/4 po x 10 po, veuillez suivre les instructions ci-dessous.



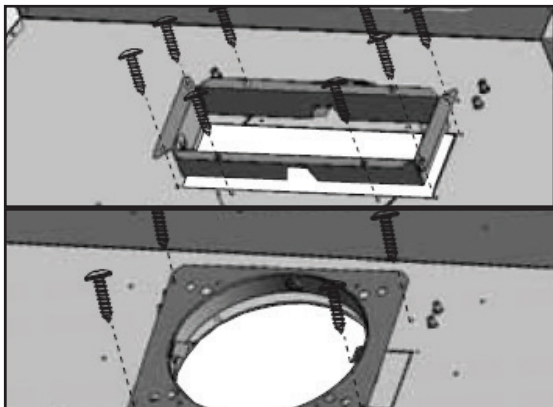
- Retirez les (4) vis fixant le moteur au corps de la hotte. Retirez le ventilateur et débranchez le bouchon du ventilateur de la hotte.



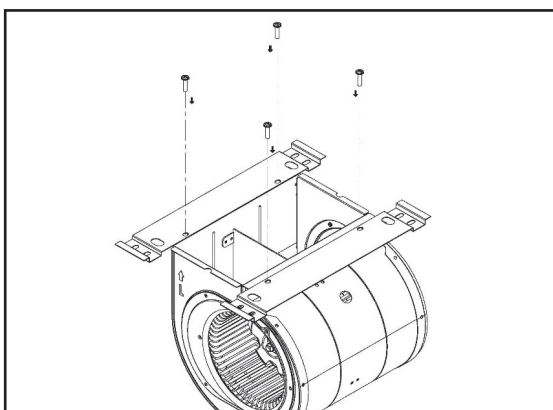
- Retirez les plaques défonçables A et B pour les conduits rectangulaires ou les plaques défonçables B et C pour les conduits ronds à l'aide d'un tournevis à tête plate et d'un maillet en caoutchouc.

# Instructions d'installation

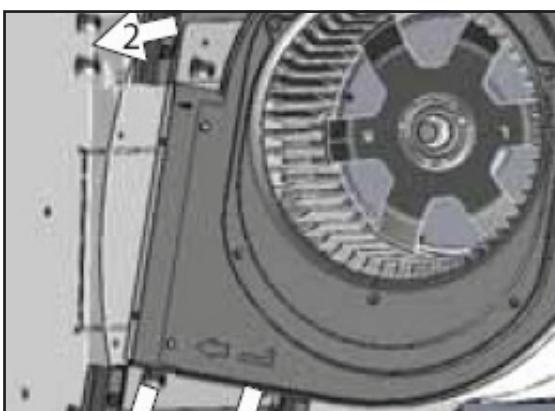
## Conversion de conduits horizontaux



3. Fixez le collier de conduit rectangulaire ou rond à l'intérieur du corps de la hotte à l'aide de (4) vis M4 x 6 pour les rectangulaires ou (4) vis à tôle M4 x 8 pour les ronds.



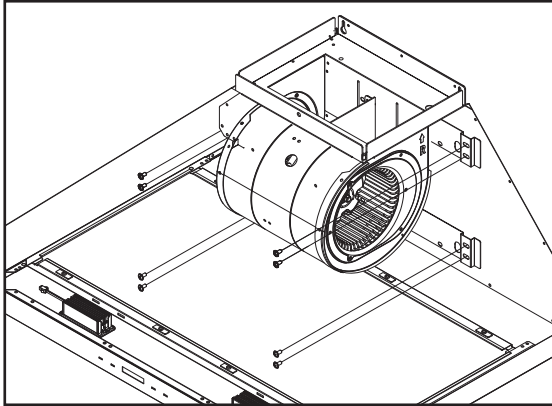
4. Fixez les supports de conduit arrière au moteur à l'aide des (4) vis précédemment retirées à l'étape 1.



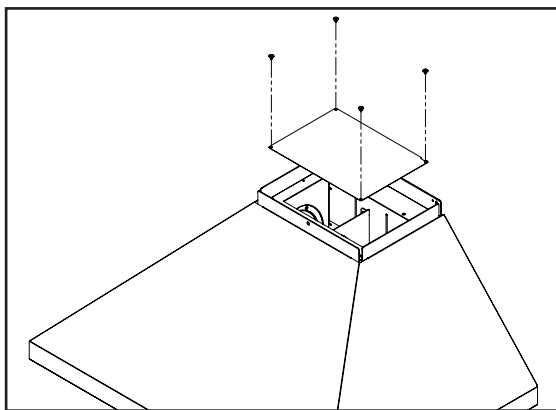
5. Positionnez le ventilateur avec les supports comme illustré. Assurez-vous de rentrer le support du ventilateur dans les languettes à l'arrière de la hotte.



## Conversion de conduits horizontaux



6. Fixez le moteur à l'arrière du corps de la hotte à l'aide de (8) vis 3/16" x 3/8" et rebranchez le bouchon du ventilateur.



7. Depuis l'extérieur du corps de la hotte, fixez la plaque de recouvrement supérieure au haut du corps de la hotte à l'aide de (4) vis à métaux M4 x 8.

## Recirculation sans conduit

La recirculation sans conduit est destinée aux applications où il n'est pas possible d'installer un conduit d'évacuation. Lorsqu'elle est convertie, la hotte fonctionne comme une hotte à recirculation plutôt qu'une hotte aspirante. Les fumées et les gaz d'échappement de la cuisson sont aspirés et filtrés par un ensemble de filtres à charbon en option. L'air est ensuite purifié et remis en circulation dans la maison.

Nous recommandons de **TOUJOURS** évacuer l'air à l'extérieur de la maison en utilisant des conduits existants ou en installant de nouveaux conduits, si possible. La hotte est la plus efficace et la plus efficace en tant que hotte aspirante. Ce n'est que lorsque l'option d'extraction n'est pas possible qu'il faut recourir à la conversion de la hotte en hotte à recirculation.

Lorsqu'elle est convertie en hotte à recirculation, un ensemble de filtres à charbon est requis en plus de son ensemble de filtres métalliques standard. Commandez selon son numéro de pièce ci-dessous. Les filtres à mailles standard sont destinés à capturer les résidus de cuisson, et les filtres à charbon en option aident à purifier les fumées évacuées de la cuisson pour la recirculation.

# Instructions d'installation

## Installation du kit de recirculation (nécessaire si aucun conduit n'est utilisé)

Pour des instructions d'installation détaillées, veuillez vous référer au manuel inclus avec le kit de recirculation. Le kit comprend les filtres à charbon, les supports de filtre à charbon et la plaque de dérivation d'air.

Modèle de hotte	Numéro de pièce du kit de recirculation	Filtres dans le package	Numéro de pièce de rechange du filtre à charbon	Quantité à commander
ZSI-E30DS	ZRC-00SI	2	ZOF-C091	2
ZSI-E36DS	ZRC-00SI	2	ZOF-C091	2

1. Fixez la plaque de dérivation d'air au mur sous le support du cache-conduit, FIG. C
2. Retirez les filtres déflecteurs de la hotte. Placez le filtre à charbon sur le côté arrière du filtre déflecteur.
3. Fixez les filtres à charbon à l'arrière des filtres déflecteurs à l'aide de trois supports pour chaque filtre.
4. Réinstallez les filtres déflecteurs.
5. Les filtres à charbon doivent être remplacés toutes les 200 heures d'utilisation (ou environ tous les 3 à 4 mois sur la base d'une moyenne de 1 à 2 heures de temps de cuisson quotidien).

**NE PAS LAVER LES FILTRES À CHARBON.** Les filtres à charbon peuvent devoir être changés plus souvent selon les habitudes de cuisson.

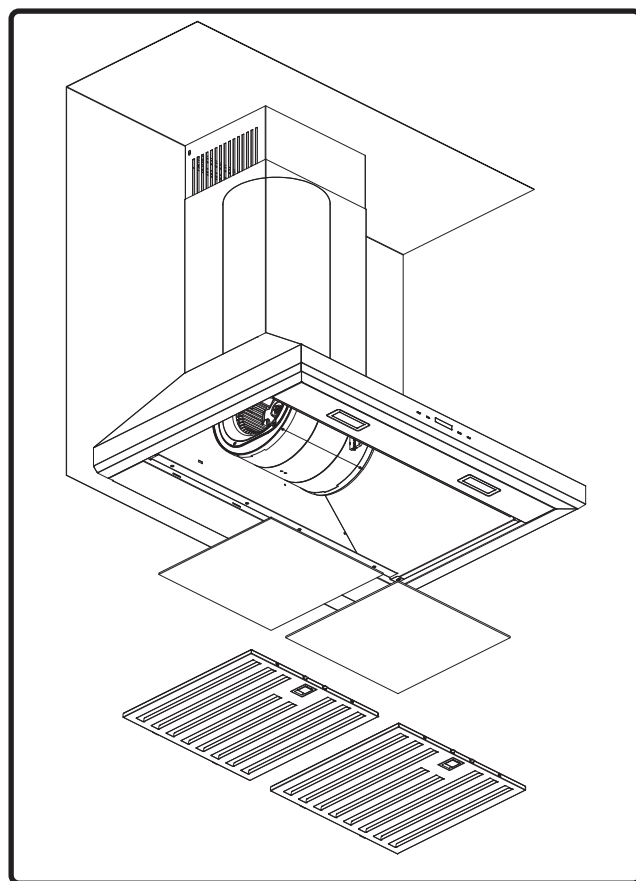
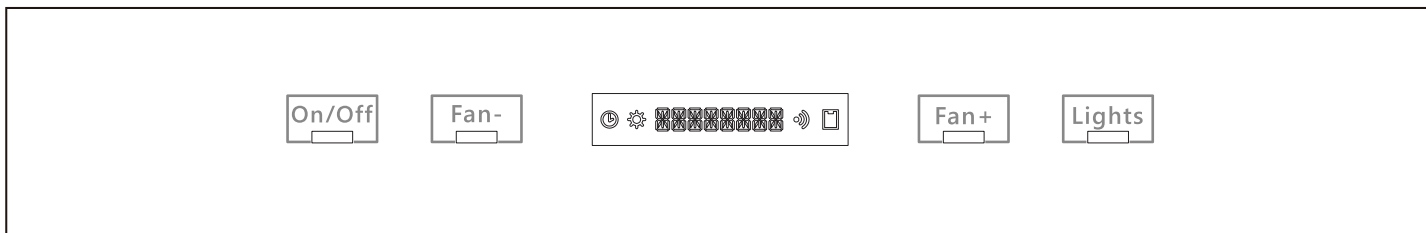


FIG. C

## Commandes LCD tactiles ICON



### 1. BOUTON MARCHÉ/ARRÊT (ON/OFF)

- ▶ Le bouton ON/OFF permettra d'allumer et d'éteindre l'ensemble de la hotte (ventilateur et lumières). La hotte a une fonction de mémoire et se souviendra de la dernière vitesse et du dernier niveau de lumière auxquels elle a été éteinte.

**REMARQUE :** « HELLO » apparaît sur l'écran LCD (écran) pendant 3 secondes lorsque la hotte s'éteint. « GOODBYE » apparaît pendant 3 secondes lorsque la hotte s'éteint.

**FONCTION D'ARRÊT DIFFÉRÉ :** Avec le ventilateur et/ou les lumières allumés, appuyez et maintenez enfoncé le bouton ON/OFF pendant 2 secondes. Le ventilateur passera à la vitesse 1, le graphique d'arrêt différé s'allumera et la minuterie d'arrêt différé de 5 minutes commencera et s'affichera sur l'écran LCD. Après 5 minutes, la hotte s'éteindra.

**VÉRIFICATION ACT™ :** La technologie de contrôle du flux d'air (ACT™) permet à l'installateur de définir le CFM maximum du ventilateur pour s'aligner sur les codes et réglementations locaux.

- ▶ Pour vérifier le CFM maximum du ventilateur, appuyez et maintenez le bouton ON/OFF pendant 3 secondes pendant que toute la hotte est éteinte. L'écran LCD affichera jusqu'à trois options en fonction des paramètres : « ACT 290 », « ACT 390 » et « ACT OFF ».

### 2. BOUTON VENTILATEUR- (FAN-)

- ▶ Appuyez sur le bouton FAN- pour diminuer les vitesses du ventilateur de 5, 4, 3, 2, 1, off.

**RAPPEL DU FILTRE À GRAISSE (toujours activé) :** Après 60 heures d'utilisation du ventilateur, l'écran LCD fera défiler le texte (uniquement lorsque la hotte est allumée) et le bouton VENTILATEUR clignotera lentement, indiquant qu'il est temps de nettoyer les filtres à graisse. Si la hotte n'est pas allumée, seul le bouton FAN- clignotera lentement.

- ▶ La hotte étant éteinte, appuyer sur le bouton FAN- affichera les instructions pour réinitialiser le rappel du filtre à graisse pendant quelques secondes avant de revenir au texte défilant. Appuyez et maintenez enfoncé le bouton FAN- pendant que toute la hotte est éteinte pour réinitialiser le rappel du filtre à graisse.

# Fonctionnalités et commandes

## Commandes LCD tactiles ICON

### 3. BOUTON VENTILATEUR+ (FAN+)

- ▶ Appuyez sur le bouton FAN+ pour augmenter les vitesses du ventilateur de off, 1, 2, 3, 4, 5.

#### **RAPPEL DU FILTRE À CHARBON (désactivé par défaut et doit être activé si hotte à recirculation) :**

Après 200 heures d'utilisation du ventilateur, l'écran LCD fera défiler le texte uniquement lorsque la hotte est allumée) et le bouton FAN+ clignotera lentement, indiquant qu'il est temps de remplacer les filtres à charbon. Si la hotte n'est pas allumée, seul le bouton FAN+ clignotera lentement.

- ▶ Pour activer ou désactiver le rappel du filtre à charbon, appuyez et maintenez enfoncés les boutons FAN+ et LIGHTS pendant 3 secondes pendant que toute la hotte est éteinte.
- ▶ La hotte étant éteinte, appuyer sur le bouton FAN+ affichera les instructions pour réinitialiser le rappel du filtre à charbon pendant quelques secondes avant de revenir au texte défilant. Appuyez et maintenez enfoncé le bouton FAN+ pendant que toute la hotte est éteinte pour réinitialiser le rappel du filtre à charbon.

### 4. BOUTON LUMIÈRES (LIGHTS)

- ▶ Appuyez sur le bouton LUMIÈRES pour faire défiler les niveaux d'éclairage : éteint, faible et élevé.

**FONCTION TRUEHUE :** TrueHue vous permet de régler la température de couleur de l'éclairage du plus chaud au plus froid. Les options disponibles sont 2 700 K, 3 000 K, 3 500 K, 4 000 K et 5 000 K.

- ▶ Pour régler la température de couleur des lumières, lorsque la hotte est éteinte, appuyez et maintenez enfoncé le bouton LUMIÈRES pendant 3 secondes. L'écran LCD affichera 3000K. Appuyez sur FAN+ ou FAN- pour régler la température de couleur. Pendant le réglage, les lumières s'allumeront également pour correspondre à la température de couleur référencée sur l'écran LCD. Appuyez sur le bouton LUMIÈRES pour confirmer la température et les lumières s'éteindront, ou attendez 10 secondes pour une confirmation automatique.

## Télécommande RF en option

Pour activer les capacités de télécommande RF, le kit d'accessoires de télécommande est requis. Le numéro de pièce du kit est RC-0002.

### Avertissement de la FCC

Pour assurer une conformité continue, tout changement ou modification non expressément approuvé par la partie responsable de la conformité pourrait annuler l'autorité de l'utilisateur à utiliser cet équipement. (Exemple - utilisez uniquement des câbles d'interface blindés lors de la connexion à un ordinateur ou à un périphérique. Cet appareil est conforme à la partie 15 des règles de la FCC. Son fonctionnement est soumis aux deux conditions suivantes. (1) Cet appareil ne doit pas causer d'interférences nuisibles, et (2) Cet appareil doit accepter toute interférence reçue, y compris les interférences susceptibles de provoquer un fonctionnement indésirable.

### Installation

Pour installer le kit d'accessoires de télécommande, veuillez suivre les étapes ci-dessous.

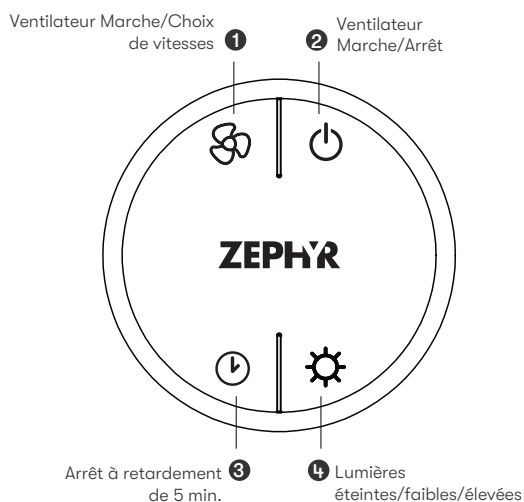
1. Retirez les filtres à graisse. Retirez les (2) vis de chaque panneau latéral.
2. Retirez les (2) vis sur les côtés gauche et droit du panneau lumineux. Retirez les (3) vis fixant le panneau de couverture interne.
3. Connectez le câblage rouge de la carte de contrôle à distance au connecteur rouge de la carte de circuits imprimés de la hotte.
4. Collez la carte de contrôle à distance près du boîtier de la carte PC.
5. Le fil d'antenne bleu doit être rallongé pour un signal optimal. Il n'est pas nécessaire de le sécuriser.

### Synchronisation

Pour créer un lien unique entre votre hotte et la télécommande, veuillez suivre ces étapes.

1. Avec la hotte éteinte, maintenez enfoncés les boutons ON/OFF et LIGHTS pendant 3 secondes. Les boutons ON/OFF et LIGHTS clignoteront lentement pendant que « PAIRING » apparaît sur l'écran LCD. Le mode d'appairage restera actif pendant 60 secondes ou jusqu'à ce qu'une télécommande ait été appairée. Appuyer sur le bouton ON/OFF annulera le mode d'appairage.
2. Appuyez sur un bouton de la télécommande et la télécommande sera synchronisée avec la hotte.

## Fonctions de la télécommande RF



### 1 Ventilateur Allumer/Choix de vitesses

Appuyez sur pour allumer le ventilateur et faire défiler toutes les vitesses.

### 2 Ventilateur Marche/Arrêt

Appuyez sur pour allumer le ventilateur à la vitesse à laquelle il fonctionnait lorsque vous l'avez éteint. Appuyez de nouveau sur et toutes les fonctions de l'appareil s'éteignent, y compris les lumières.

### 3 Arrêt à retardement

En appuyant sur , le ventilateur et les lumières passeront en mode d'arrêt automatique. Le ventilateur passera à la vitesse 1 et un compte à rebours de 5 minutes commencera.

### 4 Lumières Allumer/Veilleuse/Éteindre

Basculez entre les niveaux d'éclairage en appuyant sur . Éteignez les lumières en parcourant les différents niveaux de lumière. Pour régler la température de couleur, appuyez et maintenez pendant 3 secondes. Appuyez sur pour parcourir les températures et appuyez à nouveau sur pour enregistrer le réglage.

# Fonctionnalités et commandes

## Télécommande RF en option

### Caractéristiques de la télécommande RF

La télécommande RF est équipée d'un aimant à l'arrière pour un rangement facile. La télécommande peut être placée sur n'importe quelle surface magnétique telle qu'un réfrigérateur ou le support de télécommande Zephyr, FIG. D. Le support de télécommande peut être inséré dans une prise électrique standard pour un rangement facile. Remarque : Le support de télécommande ne charge pas la télécommande RF.

La distance maximale de communication de la télécommande est de 15 pieds de la hotte.

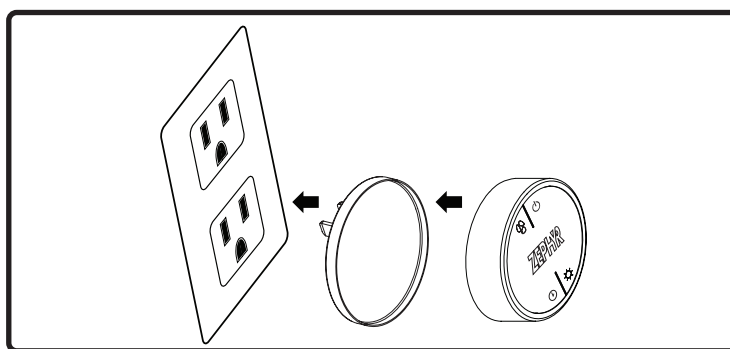


FIG. D

### Télémaintenance RF

Nettoyez la télécommande avec des détergents non abrasifs.

Suivez les instructions ci-dessous pour remplacer la batterie. À l'aide d'un petit tournevis à tête plate, soulevez le couvercle de la trappe à piles (A) afin d'accéder au compartiment à piles. FIG. E.

Retirez la batterie et remplacez-la par une batterie de type A23 12V. L'extrémité négative de la pile doit faire face au ressort à l'intérieur de la télécommande.

Réinstallez la porte de la batterie et recyclez l'ancienne batterie.

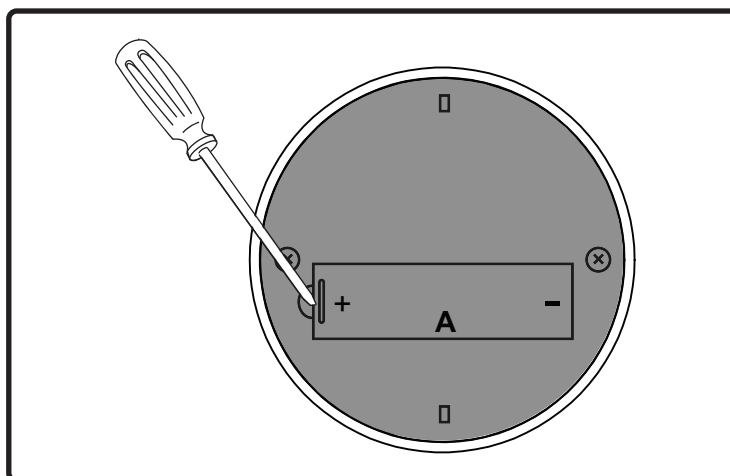


FIG. E

---

## Nettoyage de la hotte et du filtre

### Entretien de surface

- ▶ N'utilisez pas de détergents corrosifs, de détergents abrasifs ou de nettoyeurs pour four.
- ▶ N'utilisez aucun produit contenant un agent de blanchiment chloré ou un produit contenant du chlorure.
- ▶ N'utilisez pas de laine d'acier ou de tampons à récurer abrasifs qui pourraient rayer et endommager la surface.

### Nettoyage de l'acier inoxydable

Nettoyez périodiquement avec de l'eau chaude savonneuse et un chiffon en coton propre ou un chiffon en microfibres. Frottez toujours dans le sens du grain de l'acier inoxydable. Pour éliminer les accumulations de graisse plus lourdes, utilisez un détergent dégraissant liquide.

Après le nettoyage, utilisez un produit de polissage / nettoyant pour acier inoxydable non abrasif pour polir et polir le lustre et le grain de l'acier inoxydable. Frottez toujours légèrement avec un chiffon en coton propre ou en microfibres et polissez dans le sens du grain de l'acier inoxydable.

### Nettoyage des filtres à graisse

Les filtres à graisse sont destinés à retenir les résidus et les graisses de cuisson. Bien que les filtres ne devraient jamais avoir besoin d'être remplacés, ils doivent être nettoyés tous les 30 jours ou plus souvent selon les habitudes de cuisson.

Les filtres à graisse peuvent être placés au lave-vaisselle à basse température ou trempés dans de l'eau chaude savonneuse. Sécher les filtres et les réinstaller avant d'utiliser la hotte.

# Entretien

## Installation des filtres à graisse (FIG. F):

1. Tirez sur le loquet du filtre pour libérer les languettes du filtre.
2. Tirez sur le devant du filtre pour retirer les filtres à graisse.

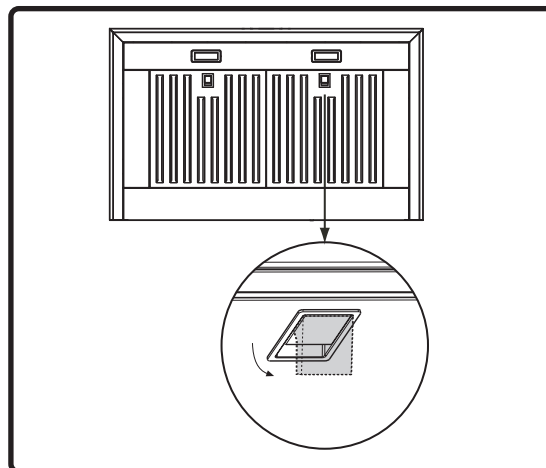


FIG. F

## LumiLight LED

Dans le cas peu probable où votre LED LumiLight tomberait en panne, veuillez contacter Zephyr pour commander des pièces de rechange.

Voir la page de la liste des pièces et accessoires pour les numéros de pièces et les coordonnées.

## Retrait de la LED (FIG. G):

1. Retirer les filtres à graisse.
2. Retirez les panneaux latéraux (le cas échéant) et retirez le panneau lumineux.
3. Débranchez le connecteur rapide de la lumière LED.
4. Poussez les deux clips latéraux sur les extrémités de la lumière LED.
5. Poussez la lumière LED à travers l'ouverture du panneau lumineux.

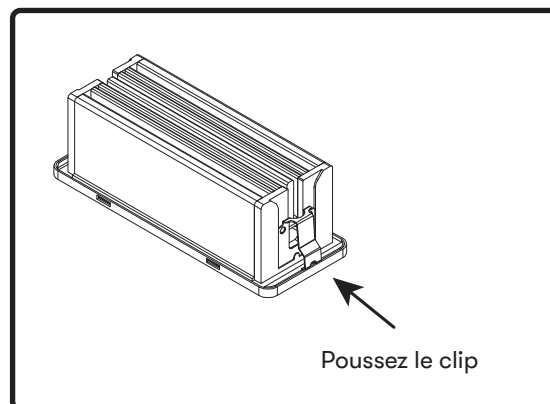


FIG. G



## Technologie de contrôle du débit d'air (ACT™)

Certains codes locaux limitent la quantité maximale de CFM qu'une hotte de cuisine peut déplacer. ACT™ vous permet de contrôler le CFM maximum du ventilateur de certaines hottes de cuisinière Zephyr Ventilation sans avoir besoin de trousse d'air d'appoint coûteuses. ACT™ permet à l'installateur de régler facilement la vitesse maximale du ventilateur sur l'un des deux niveaux CFM les plus couramment spécifiés ; 390 ou 290 PCM. L'utilisation d'ACT™ peut ne pas être nécessaire pour votre installation. Veuillez vérifier vos codes locaux pour les restrictions CFM.

### **AVERTISSEMENT**

La hotte doit être débranchée de l'alimentation principale avant d'effectuer les instructions de conversion répertoriées ci-dessous. Ne pas le faire peut entraîner des blessures ou endommager le produit.

### **AVERTISSEMENT**

Après avoir repositionné le cavalier et mis le capot sous tension, le CFM ne peut plus être changé.

# Conversion ACT™

## Activer ACT™

### Pour activer ACT™:

1. Avant l'installation de la hotte, accédez au tableau de circuits imprimés en suivant les étapes illustrées à la FIG. H.
2. Changez le positionnement du cavalier en plastique comme illustré à la FIG. I pour régler le CFM maximum souhaité du ventilateur.
3. Réinstallez la carte de circuit imprimé et poursuivez l'installation de la hotte.
4. Retirez l'autocollant CFM en aluminium approprié inclus avec la documentation de la hotte et placez-le à l'intérieur du corps de la hotte sous le schéma de câblage ou à un autre endroit clairement visible.

### Pour vérifier si votre installateur a activé ACT™:

1. La hotte étant éteinte, maintenez le bouton ON/OFF enfoncé pendant 3 secondes. Si ACT™ est activé, l'écran LCD affichera « ACT 390 » ou « ACT 290 ». Si ACT™ est désactivé, l'écran LCD affichera « ACT OFF ».
2. Lorsque ACT™ est activé, le nombre de vitesses de ventilation sera réduit.
3. Il devrait également y avoir une étiquette en aluminium située à l'intérieur du corps de la hotte près du schéma de câblage indiquant le CFM du ventilateur.

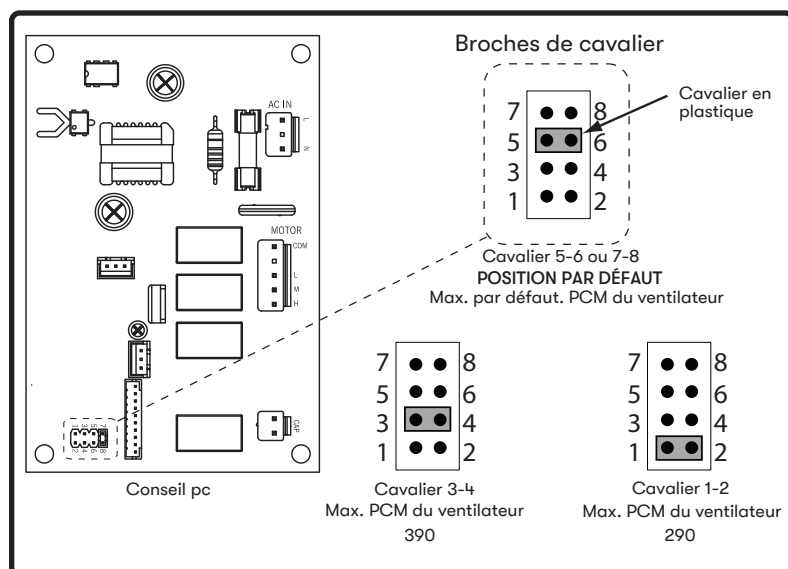


FIG. I

- La carte PC est située derrière le support de la carte PC.
1. Retirer les filtres à graisse.
  2. Retirez les (2) vis de chaque panneau latéral.
  3. Retirez les (2) vis du panneau lumineux.
  4. Retirez les (3) vis du support de la carte PC.
  5. Tirez sur le panneau pour accéder à la carte PC.

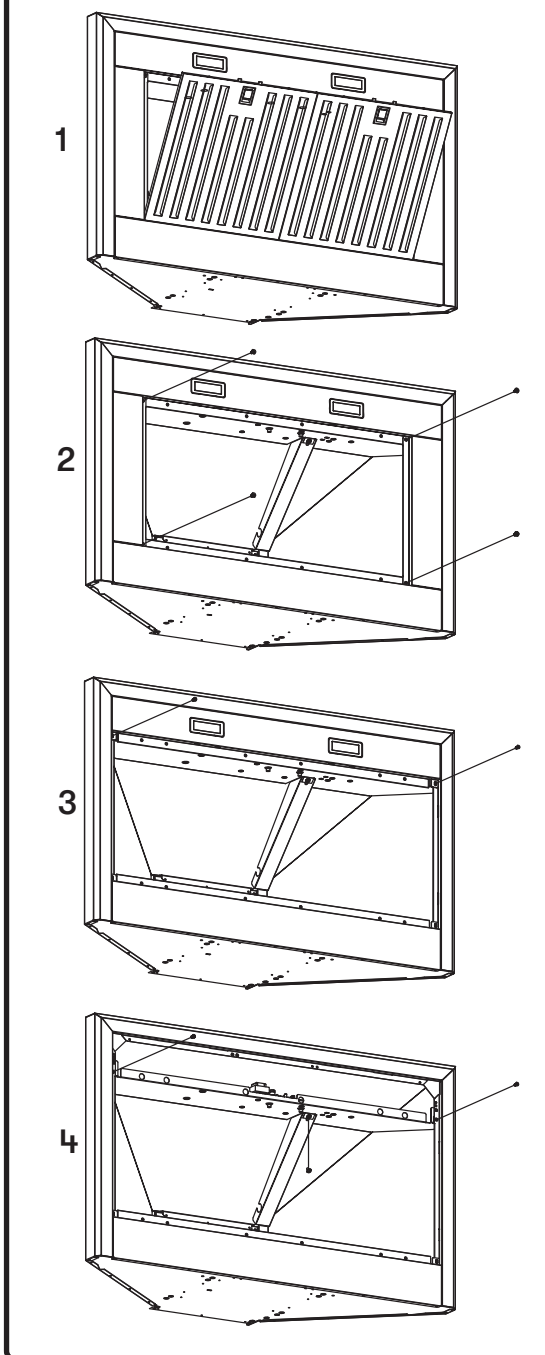
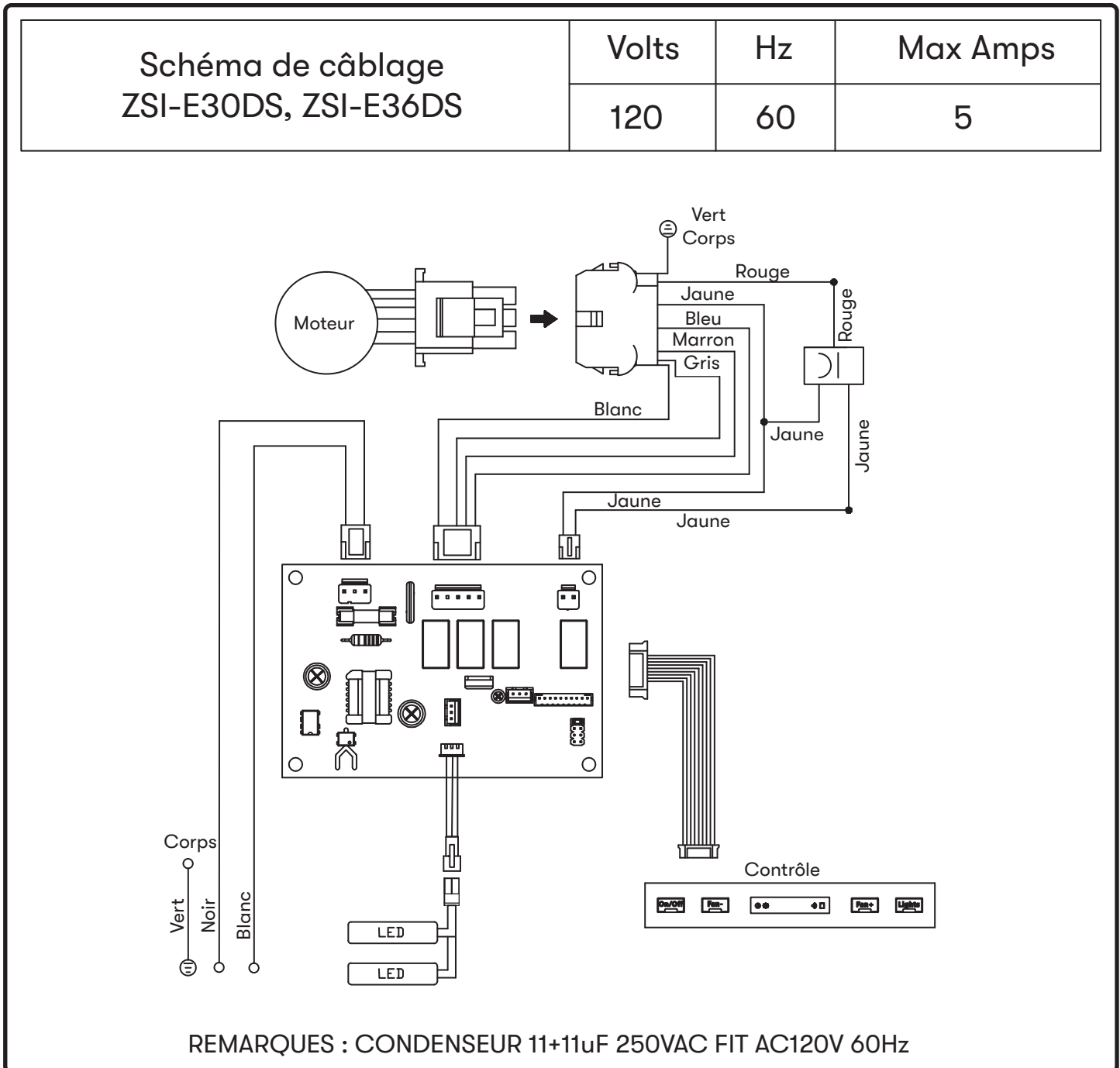


FIG. H



Consommation d'énergie indiquée pour la configuration par défaut du ventilateur CFM  
 ACT 390 CFM - Ventilateur Max. 295W @2.6A  
 ACT 290 CFM - Ventilateur Max. 262W @2.2A

# Dépannage

Problème possible	Cause possible	Solutions
Après l'installation, l'appareil ne fonctionne pas.	La source d'alimentation n'est pas allumée.	Assurez-vous que le disjoncteur et l'appareil sont sous tension.
	La ligne d'alimentation et le connecteur de verrouillage du câble ne se connectent pas correctement.	Vérifiez que la connexion électrique avec l'appareil est correctement connectée.
	Les câblages du tableau de commande ou du tableau de commande sont déconnectés.	Assurez-vous que les câbles du tableau de commande et du tableau de commande sont correctement connectés.
	Le tableau de commande ou le tableau de commande est défectueux.	Changer le tableau de commande ou le tableau de commande.
	Les fils du tableau de commande sont desserrés.	Assurez-vous que les fils de la carte de commande sont correctement connectés.
La lumière fonctionne, mais le ventilateur ne tourne pas.	Le fil du ventilateur n'est pas connecté.	Assurez-vous que le fil du ventilateur est branché sur le connecteur mox.
	Le système thermiquement protégé détecte si le ventilateur est trop chaud pour fonctionner et arrête le ventilateur.	Le ventilateur fonctionnera correctement après le refroidissement du système thermiquement protégé.
	Condensateur endommagé.	Changez le condensateur.
	Le ventilateur est défectueux, éventuellement grippé.	Changer le ventilateur.
L'unité vibre.	Le ventilateur n'est pas fixé en place.	Serrez le ventilateur en place.
	Roue de soufflante endommagée.	Remplacez le ventilateur.
	Le capot n'est pas fixé en place.	Vérifiez l'installation de la hotte.
L'unité siffle.	Un filtre n'est pas dans la bonne position.	Ajustez les filtres jusqu'à ce que le sifflement s'arrête.
	Les raccords des tuyaux de conduit ne sont pas scellés ou correctement connectés.	Vérifiez les connexions des tuyaux de conduit pour vous assurer que toutes les connexions sont correctement scellées.
Le ventilateur fonctionne, mais les LED LumiLight ne le sont pas.	Le connecteur LED LumiLight est déconnecté.	Branchez le connecteur LED LumiLight.
	LED LumiLight défectueuse.	Changez la LED LumiLight.
	Le tableau de commande ou le tableau de commande est défectueux.	Changer le tableau de commande ou le tableau de commande.

Problème possible	Cause possible	Solutions
La hotte ne s'échappe pas correctement.	Utilisation de la mauvaise taille de conduit.	Changer le conduit à la bonne taille.
	La hotte est peut-être suspendue trop haut de la table de cuisson.	Ajustez la distance entre la plaque de cuisson et le bas de la hotte dans les limites de 24 po et 34 po.
	Le vent provenant des fenêtres ouvertes ou des portes ouvertes dans la zone environnante affecte la ventilation de la hotte.	Fermez toutes les fenêtres et portes pour éliminer le vent extérieur.
	Obstruction dans l'ouverture du conduit ou dans les conduits.	Retirez tout le blocage du conduit ou de l'ouverture du conduit.
L'unité s'allume d'elle-même.	La télécommande n'est peut-être pas couplée correctement.	Resynchronisez la télécommande pour vous connecter à un autre canal
Le filtre vibre	Le filtre est lâche.	Ajustez ou changez le filtre.
	Le clip à ressort est cassé sur le filtre.	Changer le clip à ressort.
La télécommande RF ne fonctionne pas.	La batterie est morte.	Remplacez la batterie par un type A23 12v.
	Mauvaise communication avec la hotte.	La télécommande doit être à moins de 15 pieds de la hotte.
	La télécommande RF a perdu la communication avec la hotte.	Réinitialisez la hotte et la télécommande en coupant l'alimentation au disjoncteur pendant 5 minutes. Placez la télécommande sur le comptoir près de la hotte et rallumez le disjoncteur.
	Le fil d'antenne bleu n'est pas prolongé.	Prolongez le fil d'antenne bleu derrière le panneau lumineux.

# Liste des pièces et accessoires

La description	Numéro d'article
<b>Pièces de rechange</b>	
LumiLight LED, 6 W	ZOB0067
Filtre Baffle (chacun)	50210041
Filtre à charbon (chacun)	ZOF-C091
<b>Accessoires optionnels</b>	
Kit d'air d'appoint	MUA008A
Trousse de télécommande	RC-0002
Rallonge de couvercle de conduit	Z1C-00SI
Kit de recirculation	ZRC-00SI

Pour commander des pièces, visitez-nous en ligne à <http://store.zephyronline.com>.

**POUR OBTENIR UN SERVICE SOUS GARANTIE OU POUR TOUTES QUESTIONS LIÉES AU SERVICE**

Les clients des États-Unis doivent appeler le: 1-888-880-8368 ou nous contacter à: [zephyronline.com/contact](http://zephyronline.com/contact)

Clients du Canada, veuillez appeler: 1-800-361-0799 ou par courriel: [service@distinctive-online.com](mailto:service@distinctive-online.com)

Zephyr Ventilation, LLC (désigné aux présentes sous le nom de « nous ») garantit au premier acheteur (désigné aux présentes sous le nom de « vous » ou « votre ») de produits Zephyr (les « Produits ») que lesdits produits sont exempts de défauts de fabrication ou de main-d'œuvre selon les conditions suivantes :

**Garantie de trois ans sur les pièces :** Garantie de trois ans à partir de la date d'achat originale du Produit. Nous fournirons sans frais les Produits ou les pièces (y compris les ampoules LED, le cas échéant) de remplacement qui comportaient des défauts de fabrication. Nous pourrions choisir, à notre seule discrétion, de réparer ou de remplacer des pièces avant de prendre la décision de remplacer le Produit.

**Garantie limitée d'un an sur la main-d'œuvre :** Garantie d'un an à partir de la date d'achat originale du Produit. Nous couvrirons sans frais les frais de main-d'œuvre afférents à la réparation du Produit ou des pièces de remplacement qui comportaient des défauts de fabrication. Un an après la date d'achat originale, vous serez responsable de tous les frais de main-d'œuvre associés à la présente garantie.

**Exclusions de la garantie :** Cette garantie ne couvre que la réparation ou le remplacement, à notre gré, de pièces ou de Produits défectueux et ne couvre aucun autre coût afférent aux Produits, dont, sans s'y limiter, les frais liés : (a) à l'entretien normal des Produits et au remplacement des pièces consommables, comme les fluorescent, incandescence ou halogèneampoules, les filtres métalliques, les filtres à charbon et les fusibles; (b) à tout Produit ou pièce ayant été endommagé durant le transport ou étant le résultat d'un mauvais usage, d'une négligence, d'un accident, d'une installation incorrecte ou ne respectant pas les notices d'installation recommandées, d'un entretien ou d'une réparation inapproprié (dont ne nous sommes pas responsables); (c) à une utilisation commerciale ou ne correspondant pas à l'utilisation pour laquelle les Produits sont conçus; (d) à l'usure naturelle du fini, à l'usure due à un entretien inadéquat, à l'utilisation de produits nettoyants corrosifs ou abrasifs, de tampons nettoyeurs et de produits de nettoyage pour le four; (e) aux éclats, entailles ou fissures résultant d'un abus ou d'une mauvaise utilisation du Produit; (f) aux déplacements d'un technicien de service à votre domicile pour vous montrer comment utiliser les Produits; (g) aux dommages causés par un accident, un incendie, une inondation, un cas fortuit; ou (h) Les installations personnalisées ou modifications qui ont un impact sur la maintenabilité du Produit. Si vous vous trouvez à l'extérieur du territoire que nous desservons, des frais supplémentaires pourraient s'appliquer pour la livraison des produits à nos points de service désignés pour une réparation sous garantie ou vous pourriez avoir à déboursier les frais de déplacement du technicien à votre domicile pour que le Produit soit réparé, enlevé ou réinstallé. Un an après la date d'achat originale du Produit, vous êtes également responsable de tous les frais de main-d'œuvre associés à la présente garantie.

**Restrictions de la garantie. NOTRE OBLIGATION DE RÉPARER OU DE REMPLACER, À NOTRE GRÉ, LE PRODUIT CONSTITUE VOTRE SEUL ET UNIQUE RECOURS SOUS LA PRÉSENTE GARANTIE. NOUS NE NOUS PORTONS PAS RESPONSABLES POUR TOUT DOMMAGE INDIRECT, ACCESSOIRE OU PARTICULIER RÉSULTANT OU AYANT UN LIEN AVEC L'UTILISATION OU LE RENDEMENT DES PRODUITS. LES GARANTIES EXPRESSES DE LA SECTION PRÉCÉDENTE SONT EXCLUSIVES ET TIENNENT LIEU DE TOUTE AUTRE GARANTIE EXPRESSE. PAR LES PRÉSENTES, NOUS REJETONS ET EXCLUONS TOUTE AUTRE GARANTIE EXPRESSE POUR LES PRODUITS ET TOUTES LES GARANTIES TACITES PRÉVUES PAR LA LOI, DONT CELLES RELATIVES À LA QUALITÉ MARCHANDE OU À L'ADÉQUATION DU PRODUIT POUR UNE UTILISATION PARTICULIÈRE.** Certains États ou provinces n'autorisent pas les restrictions sur la durée d'une garantie implicite ou l'exclusion ou la restriction des dommages indirects ou accessoires; par conséquent, les exclusions et restrictions mentionnées ci-dessus pourraient ne pas s'appliquer à votre cas. Dans la mesure où une loi applicable interdit l'exclusion de garanties implicites, la durée de toute garantie implicite applicable se limite à la période de deux ans décrite ci-dessus. L'unique objectif de toute description orale ou écrite est de présenter les Produits et celle-ci ne devrait pas être interprétée comme une garantie expresse. Avant d'utiliser ou de permettre l'utilisation des Produits, vous devrez déterminer si les Produits conviennent aux utilisations prévues et vous devrez assumer tout risque et toute responsabilité relatifs à ces utilisations. Nous nous réservons le droit d'utiliser des pièces reconstruites ou remises à neuf pour remplacer l'une des fonctionnalités dans le cadre de la présente garantie ou de l'une des parties de la présente garantie. L'acheteur original ne peut transférer la présente garantie et celle-ci n'est valide qu'aux États-Unis et au Canada.

**Pour obtenir du service sous la garantie :** Pour avoir droit à du service sous garantie, vous devez : (a) nous avertir en utilisant l'adresse ou le numéro de téléphone inscrit ci-dessous dans les soixante jours suivant la détection du défaut; (b) donner le numéro du modèle, le numéro d'identification de la pièce ainsi que le numéro de série; et (c) décrire la nature de tout défaut de la pièce ou du Produit. Au moment de faire la demande de service sous garantie, vous devrez présenter votre preuve d'achat et la preuve de la date d'achat originale. Si nous déterminons que les exclusions de la garantie énumérées ci-dessus s'appliquent ou si vous vous trouvez dans l'incapacité de nous fournir la documentation nécessaire pour obtenir du service, vous serez responsable de tous les frais d'expédition, de déplacement, de main-d'œuvre ou de tout autre coût afférent au service.

Veuillez consulter notre site Web au [www.zephyronline.com](http://www.zephyronline.com) pour savoir si des révisions ont été apportées à la garantie.

**Zephyr, 2277 Harbor Bay Parkway, Alameda, CA 94502**

# Enregistrement du produit

Nous vous félicitons d'avoir acheté un produit Zephyr. Veuillez prendre un moment pour enregistrer votre nouvelle produit au [www.zephyronline.com/registration](http://www.zephyronline.com/registration)

## C'EST IMPORTANT

Cet enregistrement rapide est utile à bien des égards.

- Il assure la couverture de votre garantie si vous avez besoin de service après-vente.
- À des fins d'assurance, il permet de confirmer que vous êtes le propriétaire.
- Il vous permet de recevoir des avis concernant des modifications ou des rappels de produits.



Zephyr Ventilation | 2277 Harbor Bay Pkwy. | Alameda, CA 94502 | 1.888.880.8368