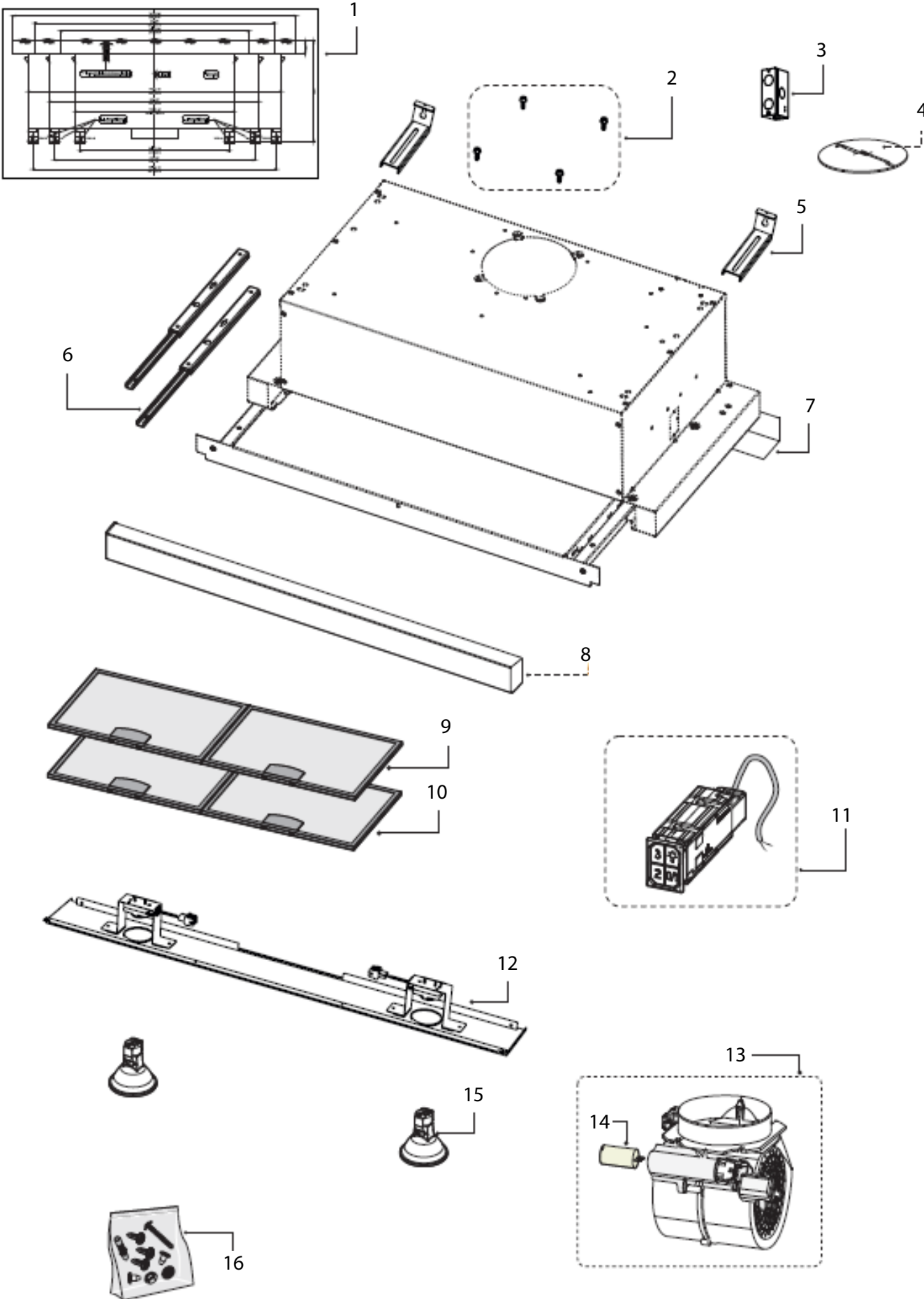


ZVA-E30AS290
ZVA-M90AS290



ZVA-E30AS290, ZVA-M90AS290

Ref #	Part #	Description	Qty.
1	81010013	Paper Template	1
2	01060017	Blower Mounting Screws	4
3	56200063	Electrical Junction Box	1
4	54060015	6 Inch Round Damper	1
5	54140372	Mounting Bracket	2
6	50320064	Sliding Rails	2
7	50120234	Rear Spacer Panel (30")	1
7	50120235	Rear Spacer Panel (36")	1
8	50140217	Front Trim Panel, Stainless Steel, (30")	1
8	50140218	Front Trim Panel, Stainless Steel, (36")	1
9	50200073	Upper Mesh Filter (30")	1
9	50200075	Upper Mesh Filter (36")	2
10	50200072	Lower Mesh Filter (30")	1
10	50200074	Lower Mesh Filter (36")	2
11	11000179	Switch Assembly	1
12	50110441	Light Panel w/Light Sockets (30")	1
12	50110440	Light Panel w/Light Sockets (36")	1
13	12120100	Motor	1
14	12050042	Capacitor	1
15	Z0B0056	LED Light Bulb, GU-10	2
16	05000198	Hardware Packet (30")	1
16	05000197	Hardware Packet (36")	1